

ROW UNIT

Pull Row Unit Assembly	P1
Shank Assembly, Seed Tube, and Depth Adjustment	P2
Parallel Arms, Mounting Support Plate, and Quick Adjustable Down Force Springs Option	P4
15" Seed Opener Disc Blade/Bearing Assembly and Scrapers	P6
Ag Leader Electric Clutch	P8
Gauge Wheels	P10
"V" Closing Wheels	P12
Hopper Support and Meter Drive	P14
Row Unit Idler	P16
Seed Hopper and Lid	P17
Finger Pickup Seed Meter	P18
Brush-Type Seed Meter	P20
Drag Closing Attachment	P22
Granular Chemical Hopper and Hopper Panel Extension	P23
Granular Chemical	P24
Granular Chemical Meter and Meter Drive	P26
Row Unit Mounted No Till Coulter	P27
Granular Chemical Banding Options	P28
Row Unit Mounted Residue Wheel	P30
Coulter Mounted Residue Wheels	P32

VACUUM SYSTEM

Vacuum Seed Meter	P34
Vacuum Row Unit	P36
Vacuum System	P38
Vacuum Fan Assembly	P40
PTO System	P42
Bypass Valve	P44
Hydraulic Tank	P45
Outer/Inner Vacuum Hose Holer Assembly	P46
No Liquid Vacuum Hose Holder Assembly	P47
No Liquid Vacuum Hose Holder Assembly	P48
Bulk Fill/Vacuum Anti-Cavitation Check Valve Block (Located on Vacuum Fan)	P49
Low Pressure Sensor Assembly	P50
Ground Contact Drive Sprockets & Chain	P51
MTZ PTO Pump	P52
Universal PTO Pump	P52
PTO Gear Pump Mount Assembly	P53
Miscellaneous	P54

BASE MACHINE

Hitch Assembly	P56
--------------------------	-----

Frame/Manifold Assembly	P58
Hydraulic Wing Fold	P60
Transport and Ground Drive Wheel Assembly	P62
Contact Wheel and Arm Assembly	P64
Safety Chain	P67
Point Row Clutch	P68
Point Row Clutch Electrical Components	P70
Seed Rate Transmission Assembly and Driveline	P72
Row Marker Assembly	P75
Row Marker Spindle/Hub/Blade	P77
Water Tank Assembly	P79

HYDRAULICS

Master Lift Cylinder	P80
Slave Lift Cylinder	P81
Assist Cylinder	P82
Row Marker (Cushion) Cylinder	P83
Hydraulic Wing Fold Cylinder	P84
Row Marker Sequencing/Flow Control Valve	P85
Hydraulic System	P86

ELECTRONICS

Electrical Components	P88
KPM III Electronic Seed Monitor	P90
Implement Switch Assembly	P93
Planter Monitor Module (PMM)	P94
Ag Leader Electric Clutch Package	P96
GPS Receiver Package	P98
ISOBUS Retrofit Cabling Package	P99

FERTILIZER

Double Disc Fertilizer Opener	P100
Notched Single Disc Fertilizer Opener	P102
Liquid Fertilizer Piston Pump Flow Divider	P105
Depth/Gauge Wheel Attachment for Notched Single Disc Fertilizer Opener	P106
Liquid Fertilizer Tanks, Saddles, Saddle Mounts, and Hoses	P108
Liquid Fertilizer Piston Pump Drive	P110
Liquid Fertilizer Tube In Furrow	P113
Liquid Fertilizer Flow Divider Mount and Hoses	P114
Liquid Fertilizer Piston Pump (Uses 18 Tooth Sprocket)	P116

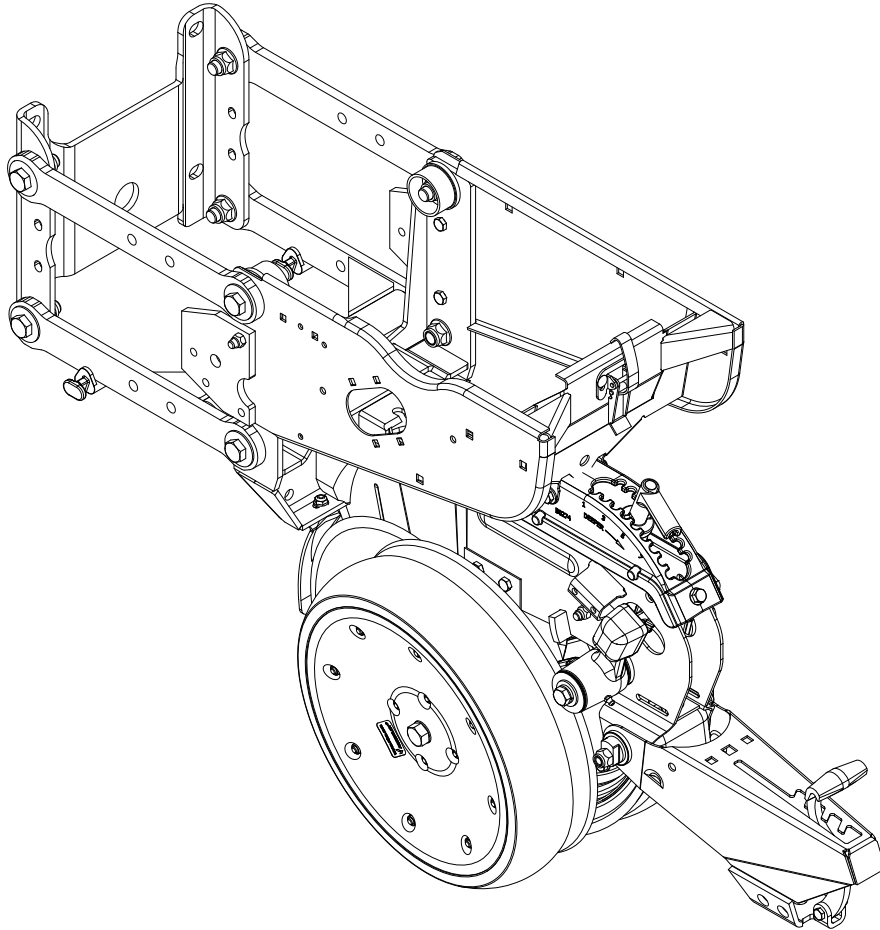
DECALS, PAINT, AND MISCELLANEOUS P118**NUMERICAL INDEX P126**

Pull Row Unit Assembly

M0310-02

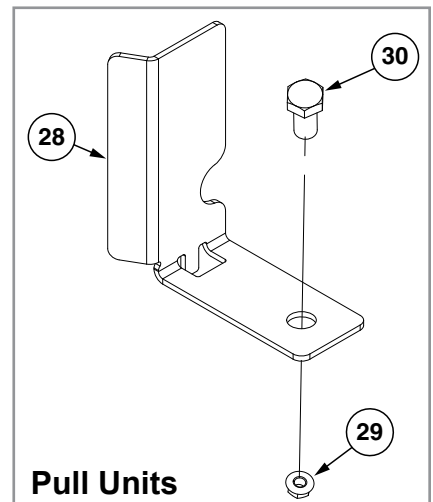
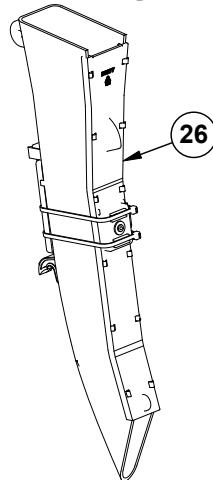
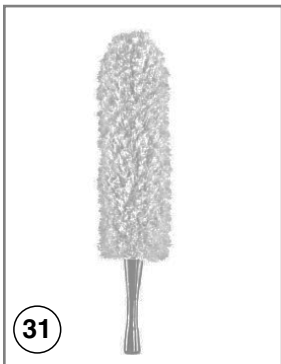
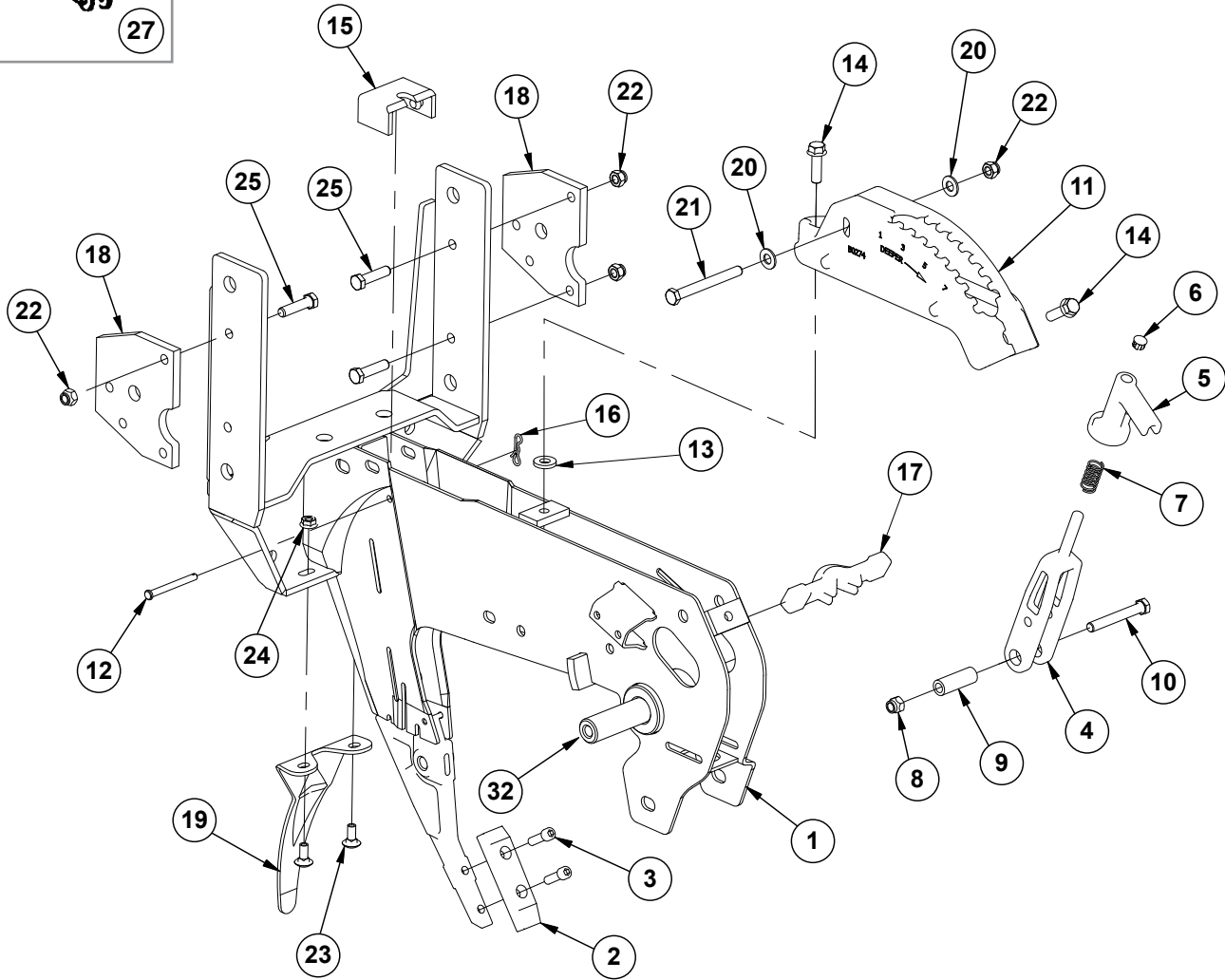
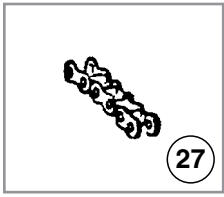
Model 3205

NOTE: Row unit assembly does not include the following: seed meter assembly, seed tube assembly, row unit hopper assembly, closing wheels, or seed meter clutch.



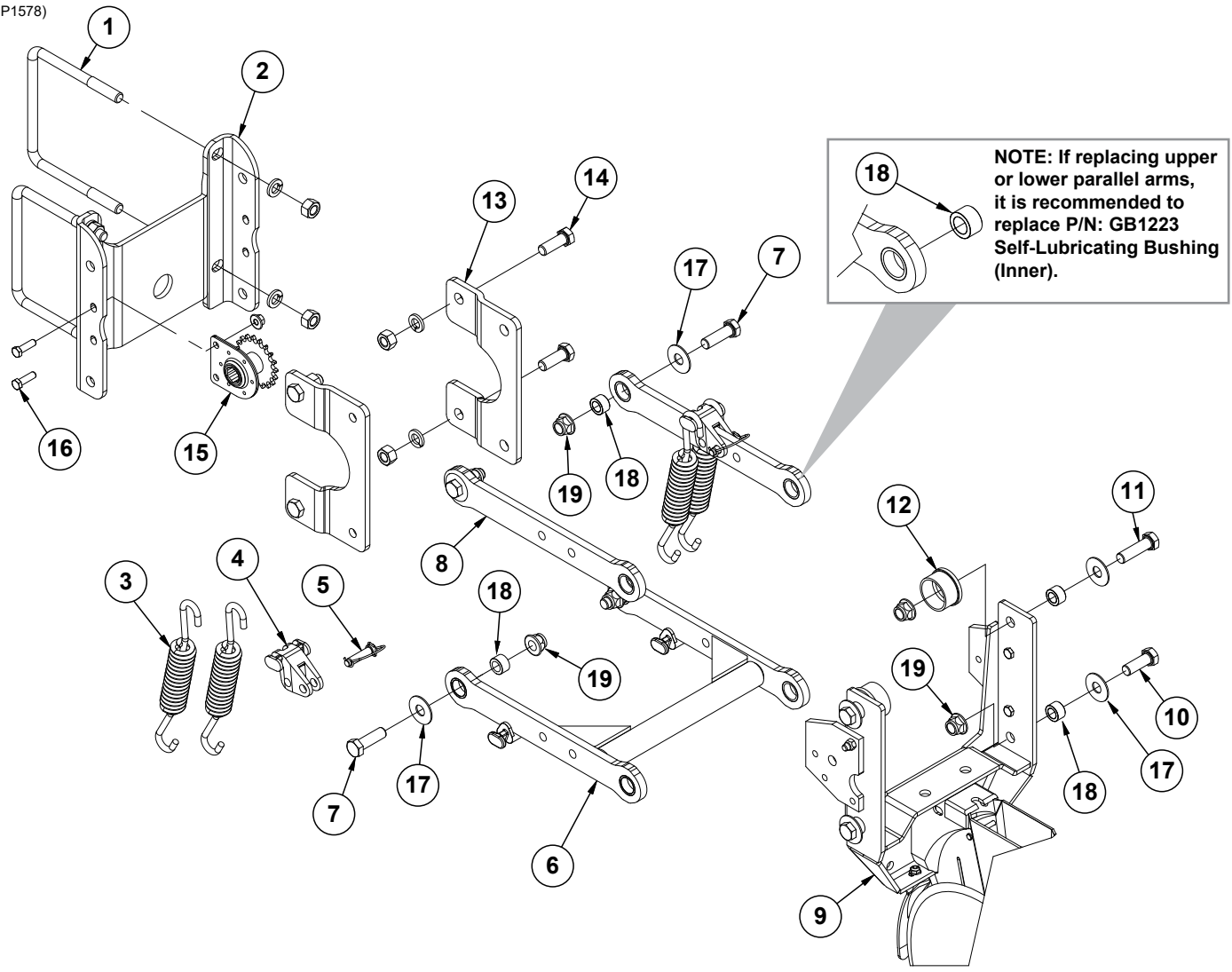
ITEM	PART NO.	QTY. (Per Row)	DESCRIPTION
1	G10502X	1	Pull Row Unit Assembly (Standard Gauge Wheels)
2	G10984X	1	Pull Row Unit Assembly (Spoked Gauge Wheels)

(IP1577)



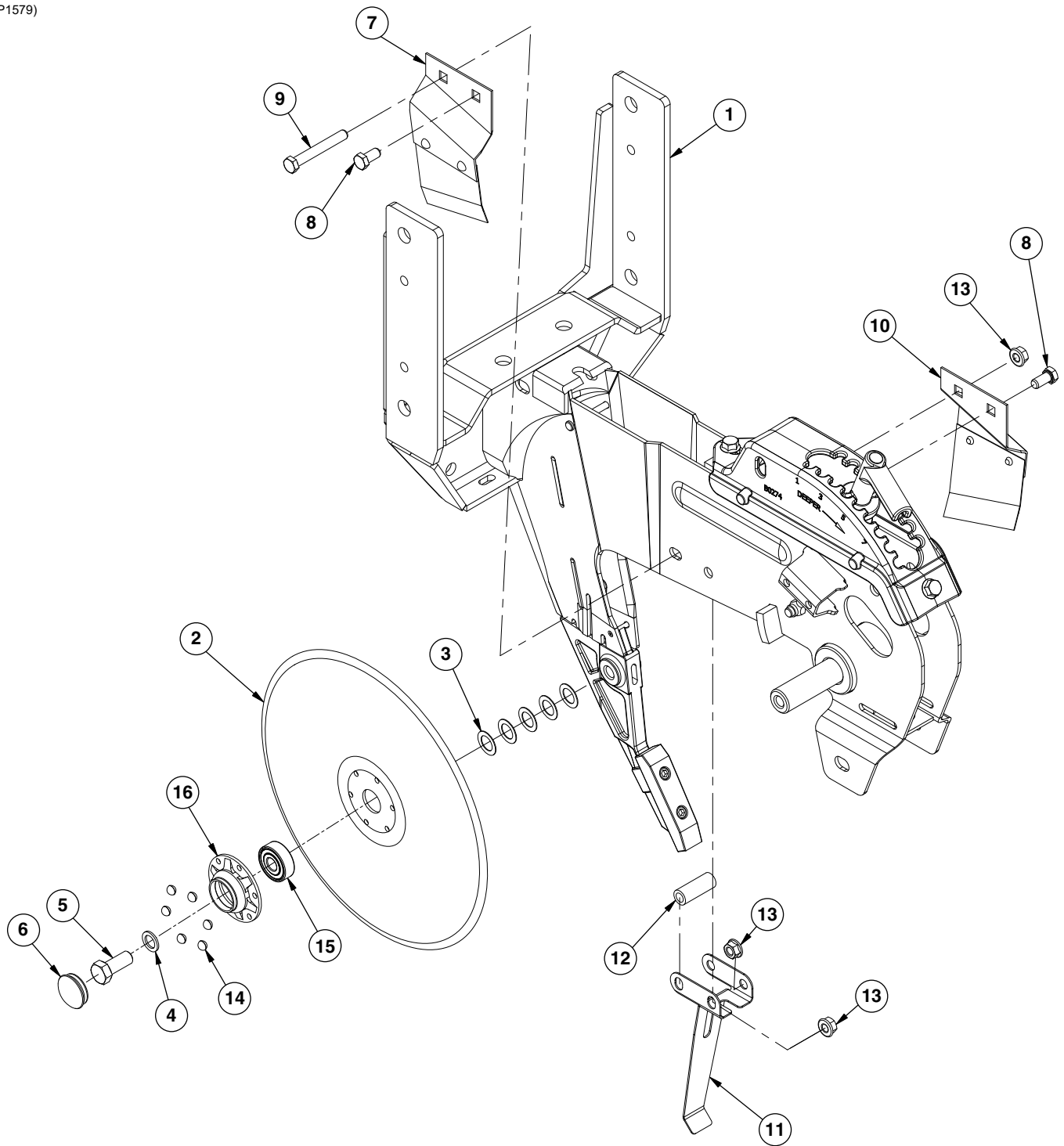
ITEM	PART NO.	QTY. (Per Row)	DESCRIPTION
1	GA10157	1	Shank W/Gauge Wheel Pivot Spindle and Set Screw
2	G10038601	1	Scraper
3	G10500901	2	Hex Socket Head Cap Screw, 5/16"-18 x 1"
4	GB0267	1	Lever, Depth Adjustment
5	GB0266	1	Handle, Depth Adjustment
6	GD3612	1	Cap Plug
7	GD10993	1	Spring
8	G11591	1	Nylon Lock Nut, 3/8"-24, Grade C
9	GD11259	1	Sleeve, 3/8" I.D. x 5/8" O.D. x 1 ²⁵ / ₃₂ " Long
10	G11592	1	Hex Head Cap Screw, 3/8"-24 x 2 ³ / ₄ ", Grade 8
11	GB0274	1	Cover, Depth Adjustment
12	G10551	1	Clevis Pin, 1/4" x 2 1/2"
13	G10207	1	Washer, 7/8" O.D. x 1 ³ / ₃₂ " I.D. x .134" (If Applicable)
14	G11015	2	Hex Washer Head Cap Screw, 3/8"-16 x 1 ¹ / ₄ "
15	GD16245	1	Sun Shade (Rubber)
16	G10122301	1	Bow Tie Cotter Pin
17	GB0265	1	Pivot Link, Depth Adjustment
18	GD24545	2	Row Unit Stop
19	GD28390	1	Shield
20	G11387	2	Flat Washer, 3/8" SAE
21	G10061	1	Hex Head Cap Screw, 3/8"-16 x 3 1/2"
22	G10108	4	Lock Nut, 3/8"-16
23	G10312	2	Carriage Bolt, 5/16"-18 x 3/4"
24	G10620	2	Serrated Flange Nut, 5/16"-18
25	G10003	3	Hex Head Cap Screw, 3/8"-16 x 1 1/2"
26	G10745401	1	Seed Tube Assembly
27	G3303-98	1	Chain, No. 41, 98 Pitch Including Connector Link (Mechanical)
	G3303-108	1	Chain, No. 41, 108 Pitch Including Connector Link (Vacuum)
	G3303-16	1	Chain, No. 41, 16 Pitch Including Connector Link (Used W/Row Unit Extension Brackets)
	GR0196	-	Connector Link, No. 41
28	GD29798	1	Chain Guard
29	G10071	1	Serrated Flange Nut, 1/2"-13
30	G10014	1	Hex Head Cap Screw, 1/2"-13 x 1"
31	G10475701	-	Professional Microfiber Duster, 19" (for cleaning Seed Tube sensors)
32	GD11001	1	Spindle
	G10438	1	Hex Head Cap Screw, 1/2"-13 x 3/4"

(IP1578)



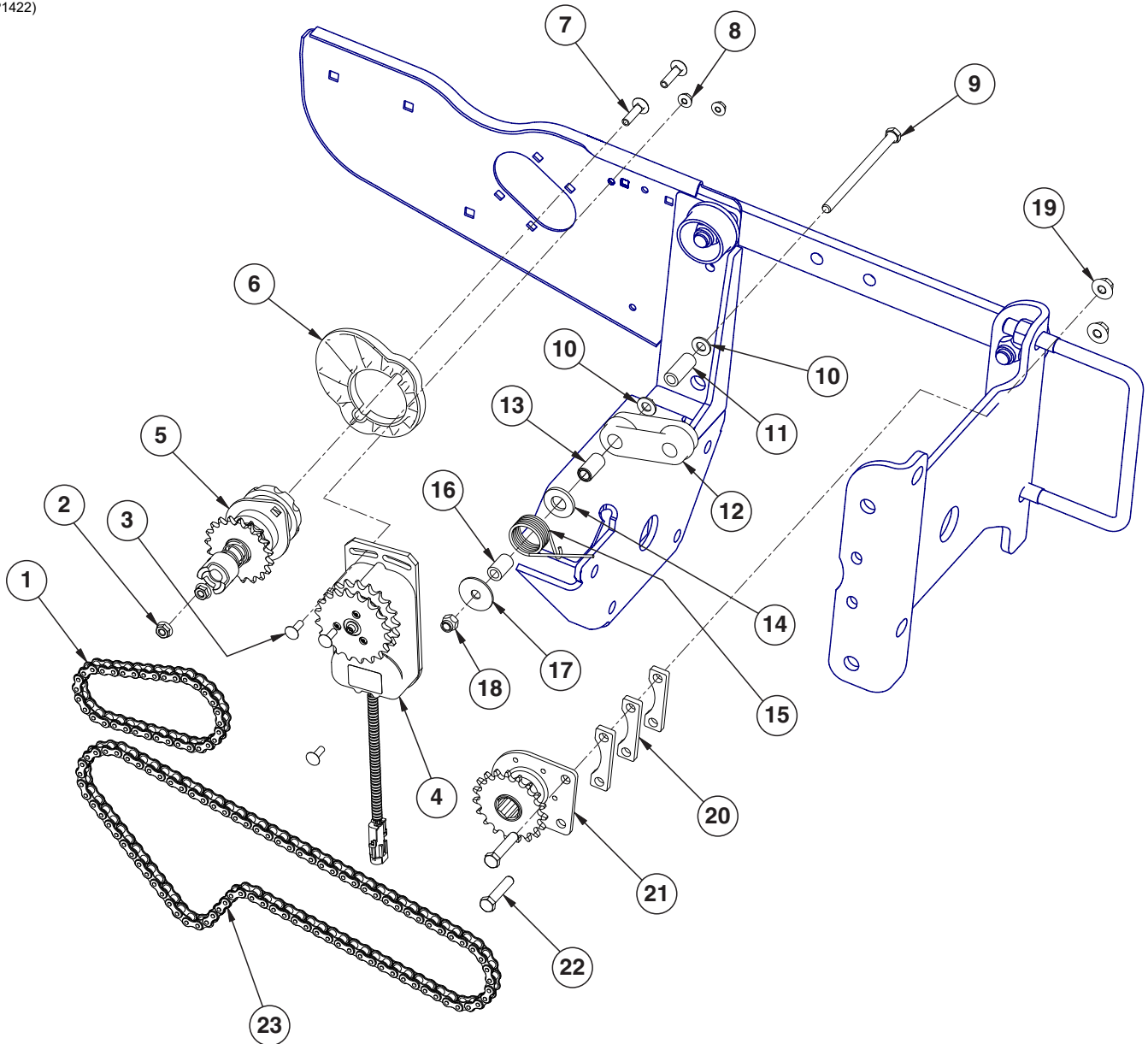
ITEM	PART NO.	QTY. (Per Row)	DESCRIPTION
1	GD1113	2	U-Bolt, 5" x 7" x 5/8"-11
	G10230	4	Lock Washer, 5/8"
	G10104	4	Hex Nut, 5/8"-11
2	GD10036	1	Mounting Support Plate
3	GD21337	4	Heavy Duty Down Pressure Spring
4	GB0186	2	Spring Anchor
5	GD14217	2	Tab Lock Pin, 7/16" x 1 1/2"
6	G10011201	1	Lower Parallel Arm Assembly
	GB1224		Self-Lubricating Bushing, 1 1/4" O.D. x 1" I.D. x 1/2" (Included in G10011201)
7	G10732	4	Hex Head Cap Screw, 5/8"-18 x 2"
8	G10011101	2	Upper Parallel Arm Assembly
	GB1224	2	Self-Lubricating Bushing, 1 1/4" O.D. x 1" I.D. x 1/2" (Included in G10011101)
9	---	1	See "Shank Assembly, Seed Tube, and Depth Adjustment" on page P2
10	G10751	2	Hex Head Cap Screw, 5/8"-18 x 1 3/4"
11	G10752	2	Hex Head Cap Screw, 5/8"-18 x 2 1/4"
12	GB0314	2	Hopper Mount
13	GB0366	2	Extension Bracket
14	G10005	4	Hex Head Cap Screw, 5/8"-11 x 1 3/4"
	G10230	4	Lock Washer, 5/8"
	G10104	4	Hex Nut, 5/8"-11
15	GA1720	1	Bearing/Sprocket, 7/8" Hex Bore
16	G10004	2	Hex Head Cap Screw, 3/8"-16 x 1 1/4"
	G11091	2	Serrated Flange Nut, 3/8"-16
17	G11976	8	Flat Washer, 5/8" x 1 3/4"
18	GB1223	8	Self-Lubricating Bushing
19	G11514	8	Lock Nut, 5/8"-18
A	G6325X	-	U-Bolt Package For 5" x 7" Toolbar, Includes: (2) GD1113, (4) G10230, (4) G10104
B	G1K758	-	Pull Row Unit Parallel Arm Kit, Includes: (2) G10011101, (1) G10011201, (8) GB1223, (8) G11976, (4) G10732, (2) G10751, (2) G10752, (8) G11514, (1) IS1066

(IP1579)



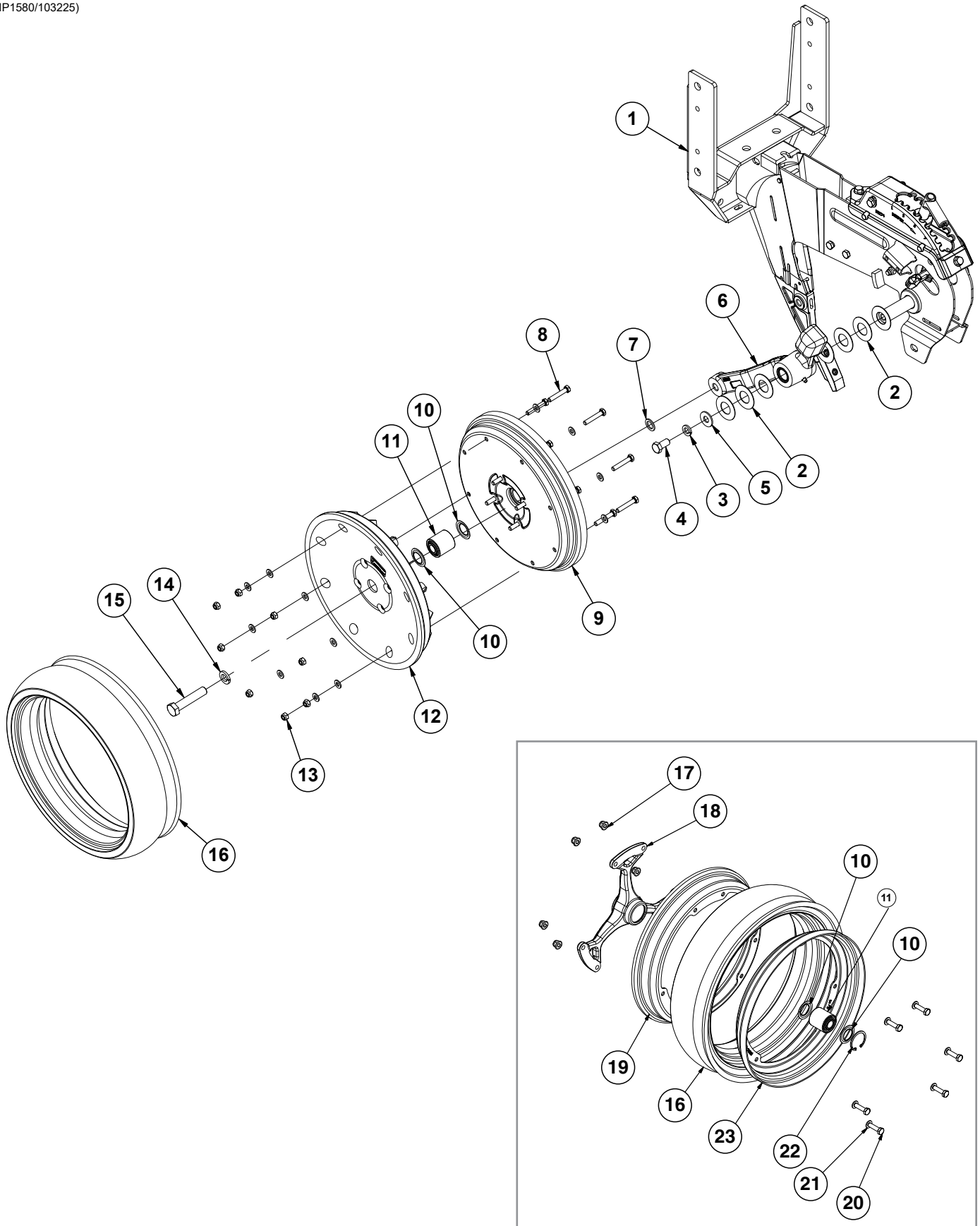
ITEM	PART NO.	QTY. (Per Row)	DESCRIPTION
1	G10037301	1	See "15" Seed Opener Disc Blade/Bearing Assembly and Scrapers" on page P6
2	GD11306	1	Disc Blade, 3.5 mm x 15"
3	GD30725	10	Machine Bushing, $\frac{5}{8}$ " (.030" Thick) (5 Per)
4	G10204	2	Special Machine Bushing, $\frac{5}{8}$ " x 1" O.D.
5	GD36856	1	Opener Blade Bolt, $\frac{5}{8}$ "-11 x $1\frac{3}{4}$ ", Grade 5
	G10005	1	Hex Head Cap Screw, $\frac{5}{8}$ "-11 x $1\frac{3}{4}$ "
6	G10090401	2	Plastic Ribbed Hub Cap (1 Per)
7	GA2012L	1	Disc Scraper, L.H.
8	G10002	2	Hex Head Cap Screw, $\frac{3}{8}$ "-16 x $\frac{3}{4}$ "
9	G10325	1	Hex Head Cap Screw, $\frac{3}{8}$ "-16 x $2\frac{3}{4}$ "
10	GA2012R	1	Disc Scraper, R.H.
11	GD35444	1	Seed Tube Bracket
12	GD2971-26	1	Sleeve, $\frac{3}{8}$ " I.D x $\frac{5}{8}$ " O.D. x 1.63" Long
13	G10622	3	Serrated Flange Nut, $\frac{3}{8}$ "-16
14	GD36990	6	Rivet, $\frac{1}{4}$ " x $\frac{9}{16}$ "
15	GA26920	1	Bearing
16	GD36860		Bearing Housing
A	G10018801	-	Disc Blade/Bearing Assembly, Less Dust Cap (Items 2, 14-16)

(IP1422)



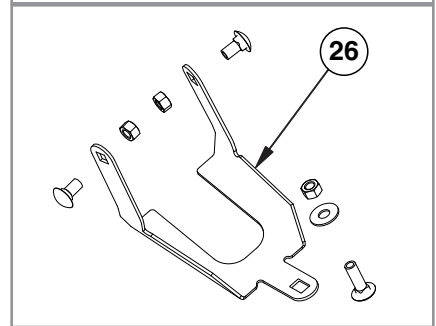
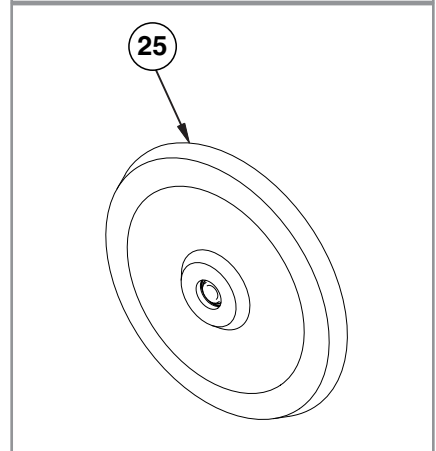
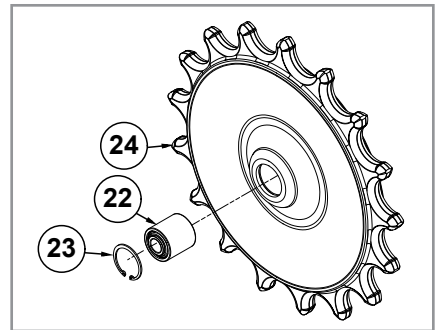
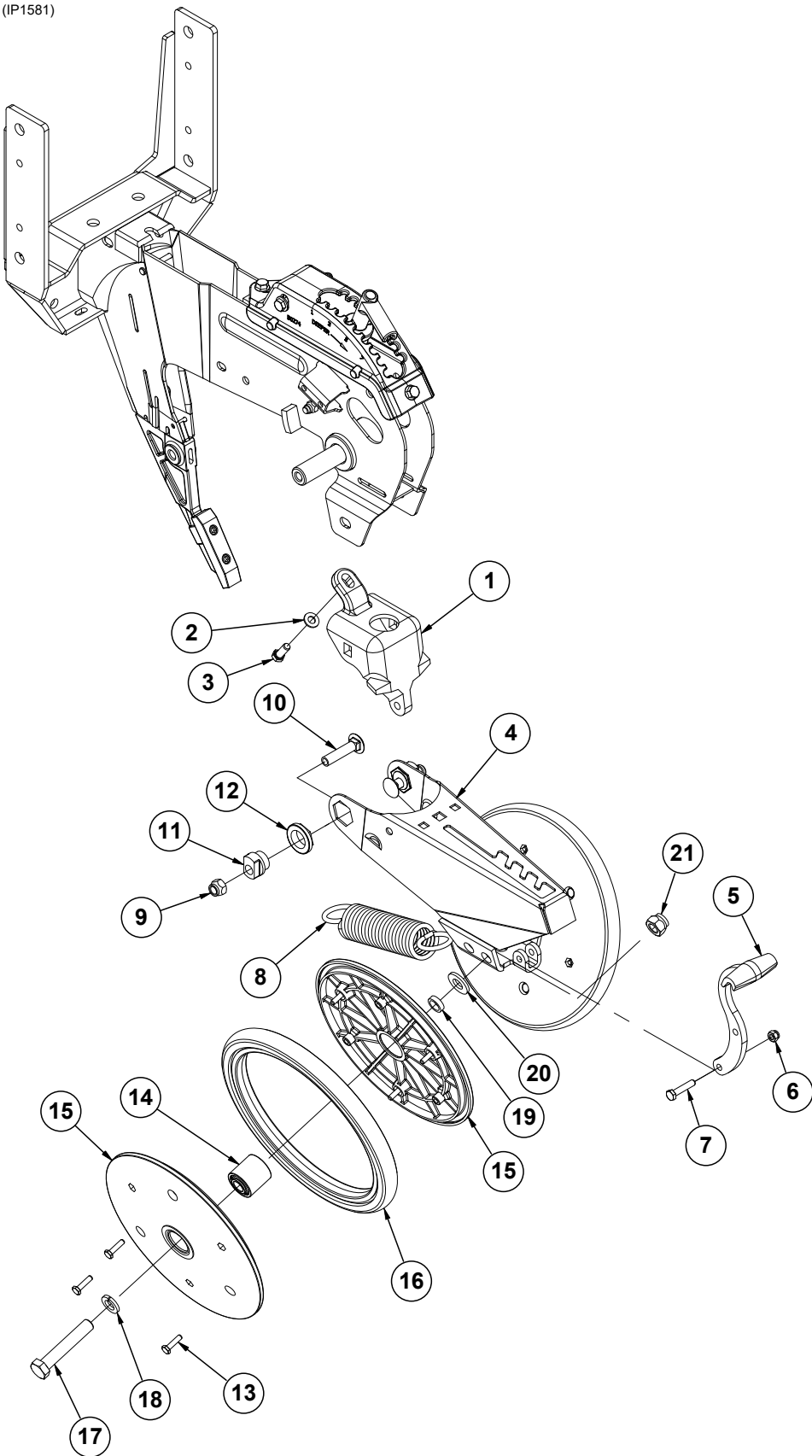
ITEM	PART NO.	QTY. (Per Row)	DESCRIPTION
1	G3303-34	1	Chain, No. 41, 34 Pitch Including Connector Link (Mechanical)
	G3303-44	1	Chain, No. 41, 44 Pitch Including Connector Link (Vacuum)
2	G10620	2	Serrated Flange Nut, 5/16"-18
3	G10310	3	Carriage Bolt, 1/4"-20 x 3/4", Grade 2
4	GA16374	1	Electric Clutch
5	GA10151	1	Seed Meter Clutch Assembly, 11/19 Tooth
6	GB0331	1	Clutch Adapter Plate
7	G10338	2	Carriage Bolt, 5/16"-18 x 1 1/4"
8	G10621	3	Serrated Flange Nut, 1/4"-20
9	G10687	1	Hex Head Cap Screw, 3/8"-16 x 5 1/2"
10	G11387	2	Flat Washer, 3/8" SAE
11	GD23773	1	Chain Idler Spacer
12	GD11962	1	Idler
13	GD1026	1	Sleeve, 1 3/16" Long
14	G11391	1	Flat Washer, 5/8" SAE
15	GD1065	1	Idler Spring
16	GD7318	1	Sleeve, 1" Long
17	G10201	1	Special Washer, 3/8" x 1 1/2" O.D.
18	G10901	1	Lock Nut, 3/8"-16
19	G11091	3	Serrated Flange Nut, 3/8"-16
20	GD23774	3	Spacer
21	GA1720	1	Bearing/Sprocket, 7/8" Hex Bore
22	G10047	2	Hex Head Cap Screw, 3/8"-16 x 1 3/4"
23	G3303-88	1	Chain, No. 41, 88 Pitch Including Connector Link

(IP1580/103225)



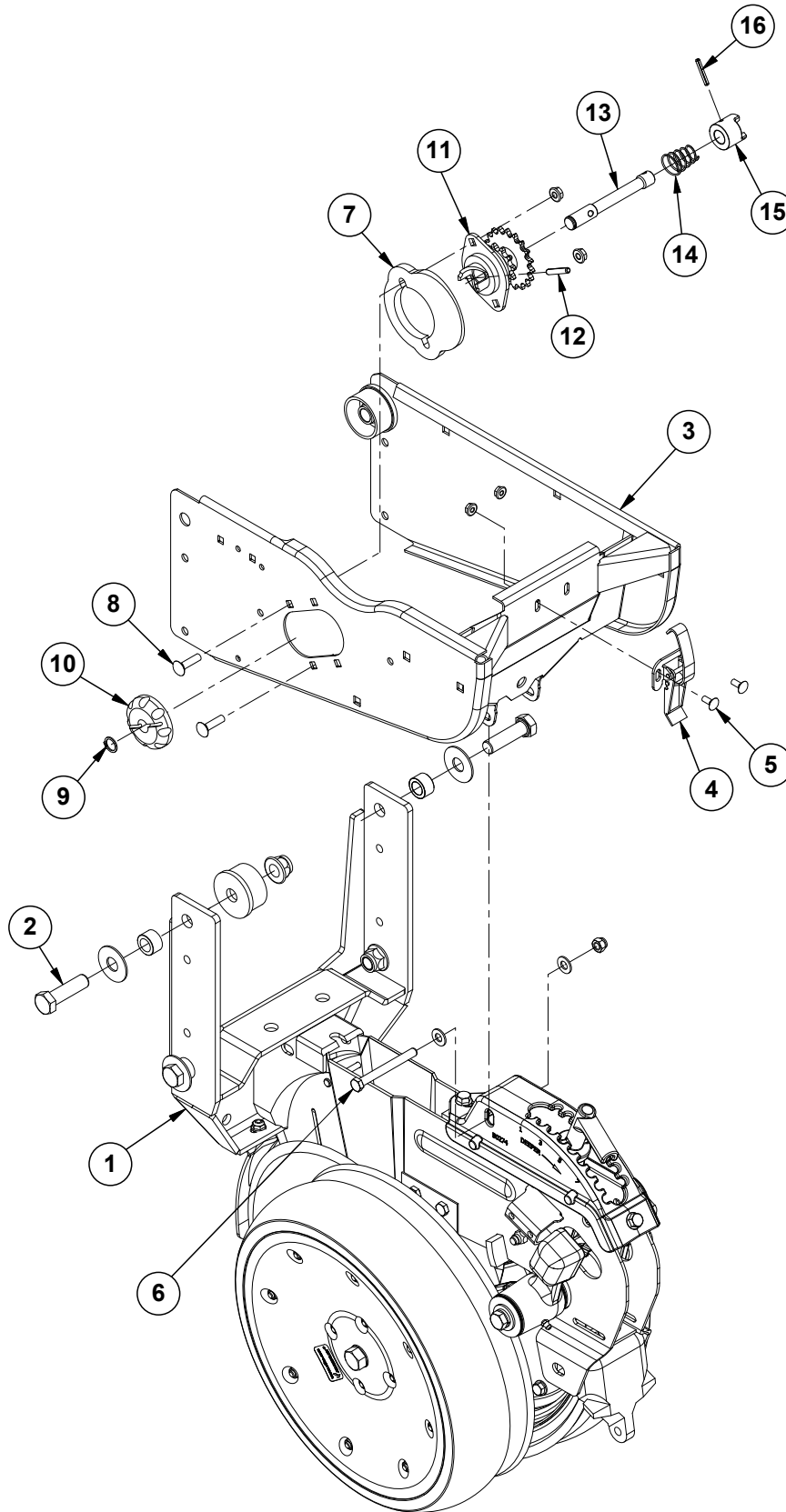
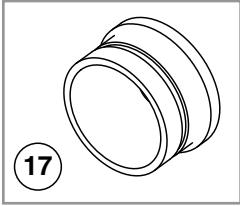
ITEM	PART NO.	QTY. (Per Row)	DESCRIPTION
1	---	-	See "15" Seed Opener Disc Blade/Bearing Assembly and Scrapers" on page P6
2	G10940	7	Machine Bushing, 1" (.048" Thick)
3	G10228	2	Lock Washer, 1/2"
4	G10014	2	Hex Head Cap Screw, 1/2"-13 x 1"
5	G10216	2	Washer, 1/2" USS
6	GA21677	1	Wheel Arm W/Grease Fitting, Bushings, and Seals, L.H. (Shown)
	GA21676	-	Wheel Arm W/Grease Fitting, Bushings, and Seals, R.H.
	GD10991	2	Seal (Per Arm) (Included W/GA21677 and GA21676)
	GB0276	2	Bushing, 1" I.D. x 1 1/4" O.D. x 1" Long (Per Arm) (Included W/GA21677 and GA21676)
7	G10204	1	Special Machine Bushing, 5/8" x 1" O.D.
8	G10031	8	Carriage Bolt, 5/16"-18 x 1 3/4"
	G11386	8	Flat Washer, 5/16" SAE
9	G10028701	1	Half Gauge Wheel
	G10019	4	Hex Head Cap Screw, 5/16"-18 x 1"
	G11386	4	Flat Washer, 5/16" SAE
10	GD36713	2	Gauge Wheel Dust Shield
11	GA6171	1	Bearing
12	GD36709	1	Half Gauge Wheel
13	G10109	12	Lock Nut, 5/16"-18
	G11386	12	Flat Washer, 5/16" SAE
14	G10230	1	Lock Washer, 5/8"
15	G10010	1	Hex Head Cap Screw, 5/8"-11 x 3"
16	G10028601	1	Tire, 4 1/2" x 16
17	G10335001	6	Flanged Lock Nut, M8
18	G10334701	1	Hub
19	G10334901	1	Wheel Flange
20	G10335101	6	Screw, M8 x 30
21	G11386	6	Flat Washer, 5/16"
22	G10335201	1	Elastic Ring
23	G10334801	1	Wheel Flange
A	G10028801	-	Standard Gauge Wheel Complete (Items 8-13 and 16)
B	G10322501	-	Spoked Gauge Wheel Complete (Items 10-11 and 16-23)
C	G1K296	-	Gauge Wheel Arm Bushing and Seal Driver Kit, Includes: (1) Seal Driver, (1) Bushing Driver, (1) Instruction Sheet

(IP1581)



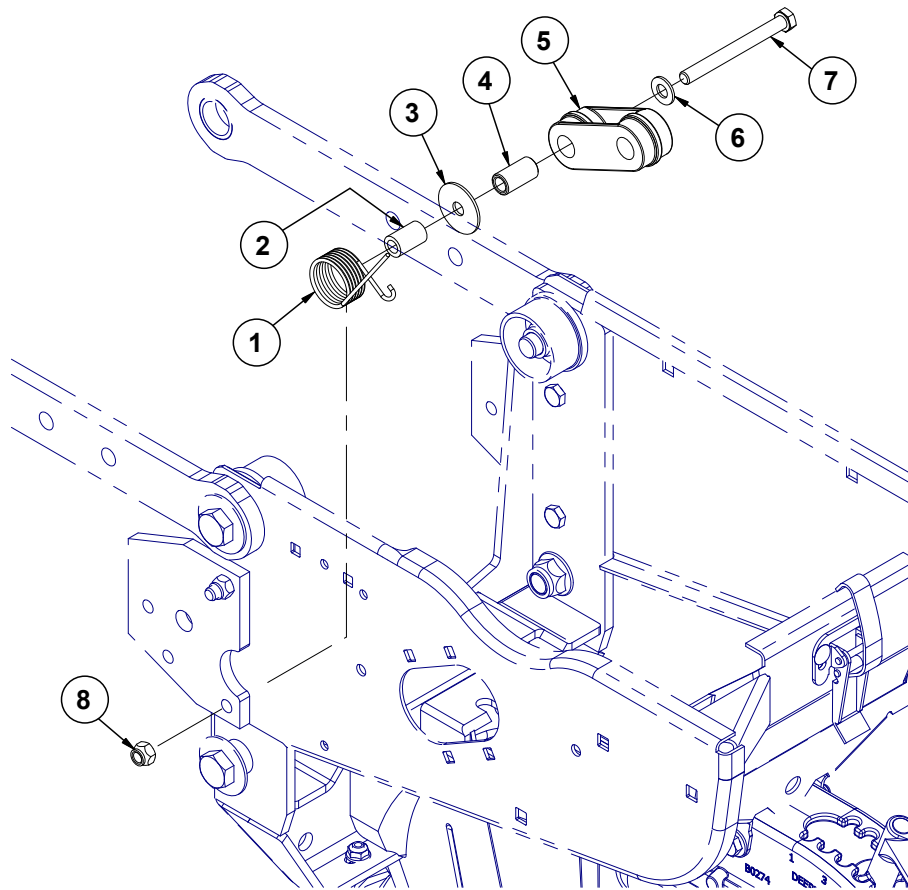
ITEM	PART NO.	QTY. (Per Row)	DESCRIPTION
1	GB0268	1	Wheel Arm Mount
2	G11387	1	Flat Washer, 3/8" SAE
3	G10001	1	Hex Head Cap Screw, 3/8"-16 x 1"
4	GA15197	1	Closing Wheel Arm
5	GB0254	1	Lever
6	G10109	1	Lock Nut, 5/16"-18, Grade 8
7	G10133	1	Hex Head Cap Screw, 5/16"-18 x 1 1/2"
8	GD8460	1	Spring
9	G10111	2	Lock Nut, 1/2"-13
10	G11419	2	Carriage Bolt, 1/2"-13 x 2 1/4"
11	GB0239	2	Eccentric Bushing
12	GB0282	2	Stepped Bushing
13	G10064	6	Hex Head Cap Screw, 1/4"-20 x 1"
14	GA6171	1	Bearing
15	GD9120	2	Nylon Half Wheel
16	GD1085	1	Rubber Tire, 1" x 12"
17	G10013	2	Hex Head Cap Screw, 5/8"-11 x 3 1/2"
18	G10230	2	Lock Washer, 5/8"
19	GD1109	2	Bushing, 4 1/4" I.D. x 7/8" O.D. x 1/4" Long
20	G11391	2	Flat Washer, 5/8" SAE
21	G10107	2	Lock Nut, 5/8"-11
22	GA6171	1	Bearing
23	G11862	1	Internal Retaining Ring
24	GD36895	1	Spiked Closing Wheel
25	GA6597	1	Cast Iron Closing Wheel W/Bearing
	GA6171	1	Bearing
26	G1K345	-	Closing Wheel Shield Kit W/Hardware and Instruction
	GD26146	1	Closing Wheel Shield (Included W/G1K345)
	G10599	1	Carriage Bolt, 3/8"-16 x 1 1/4" (Included W/G1K345)
	G10308	2	Carriage Bolt, 3/8"-16 x 3/4" (Included W/G1K345)
	G10101	3	Hex Nut, 3/8"-16 (Included W/G1K345)
	G10229	3	Lock Washer, 3/8" (Included W/G1K345)
	G11387	1	Hardened Washer, 3/8" SAE (Included W/G1K345)
A	GA6434	-	Rubber Closing Wheel Complete W/Bearing (Items 13-16)
B	GA26958	-	Spiked Closing Wheel (Items 22-24)

(IP1582)



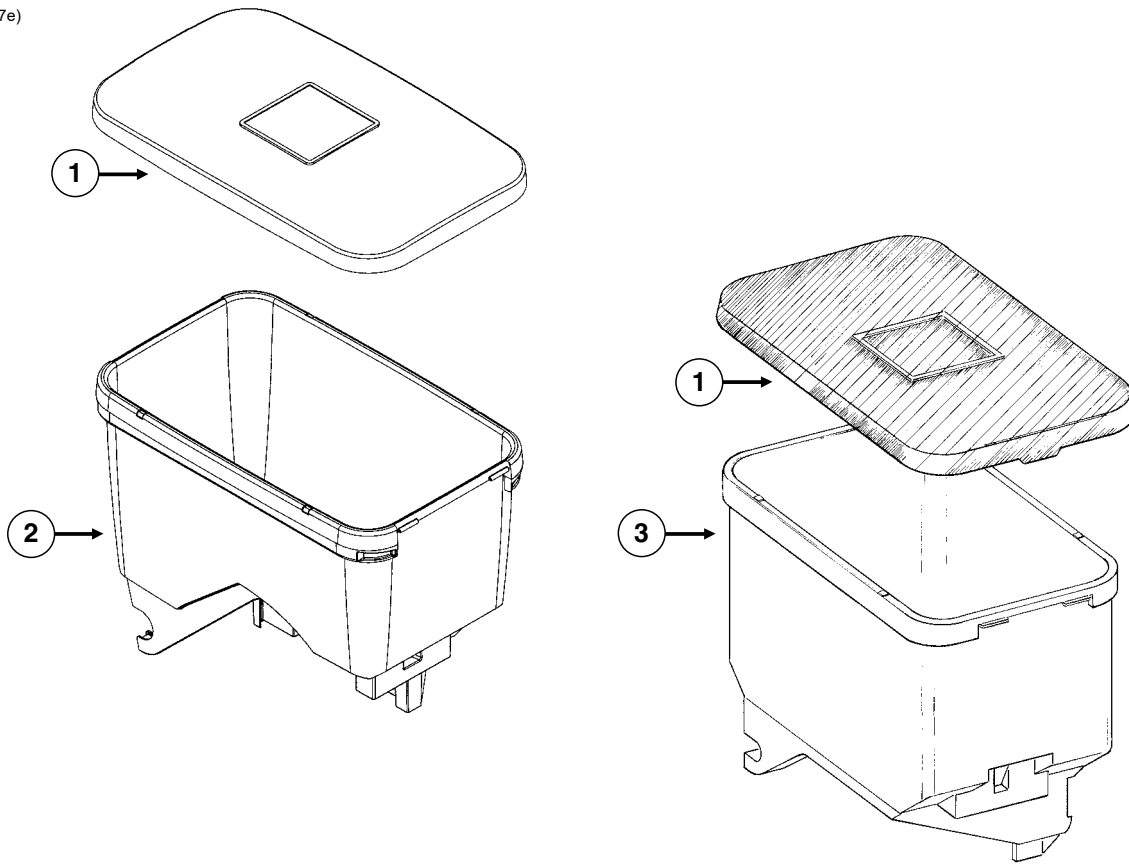
ITEM	PART NO.	QTY. (Per Row)	DESCRIPTION
1	---	1	See "15" Seed Opener Disc Blade/Bearing Assembly and Scrapers" on page P6
2	G10752	2	Hex Head Cap Screw, 5/8"-18 x 2 1/4"
3	G10329801	1	Hopper Support
4	GA2007	1	Hopper Hold Down Latch
5	G10309	2	Carriage Bolt, 1/4"-20 x 5/8", Grade 2
	G10621	2	Serrated Flange Nut, 1/4"-20
6	G10061	1	Hex Head Cap Screw, 3/8"-16 x 3 1/2"
	G11387	2	Flat Washer, 3/8" SAE
	G10108	1	Lock Nut, 3/8"-16
7	GB0331	1	Clutch Adapter Plate
8	G10338	2	Carriage Bolt, 5/16"-18 x 1 1/4"
	G10620	2	Serrated Flange Nut, 5/16"-18
9	G10567	1	External Retaining Ring, 5/8"
10	GD11239	1	Knob
11	GA10137	1	Double Sprocket and Bearing, Drive Clutch, 11/19 Tooth (Mechanical)
	GA12143	-	Double Sprocket and Bearing, Drive Clutch, 11/28 Tooth (Vacuum)
12	G10602	1	Spring Pin, 1/4" x 1 1/2"
13	GD29507	1	Clutch Shaft
14	GD11413	1	Spring
15	GB0278	1	Coupler
16	G10546	1	Spring Pin, 3/16" x 1 1/4"
17	GD17052	-	Vacuum Plug
A	GA10151	-	Seed Meter Clutch Assembly, 11/19 Tooth (Items 9-16) (Mechanical)
B	GA20640	-	Seed Meter Clutch Assembly, 11/28 Tooth (Items 9-16) (Vacuum)

(IP1583)



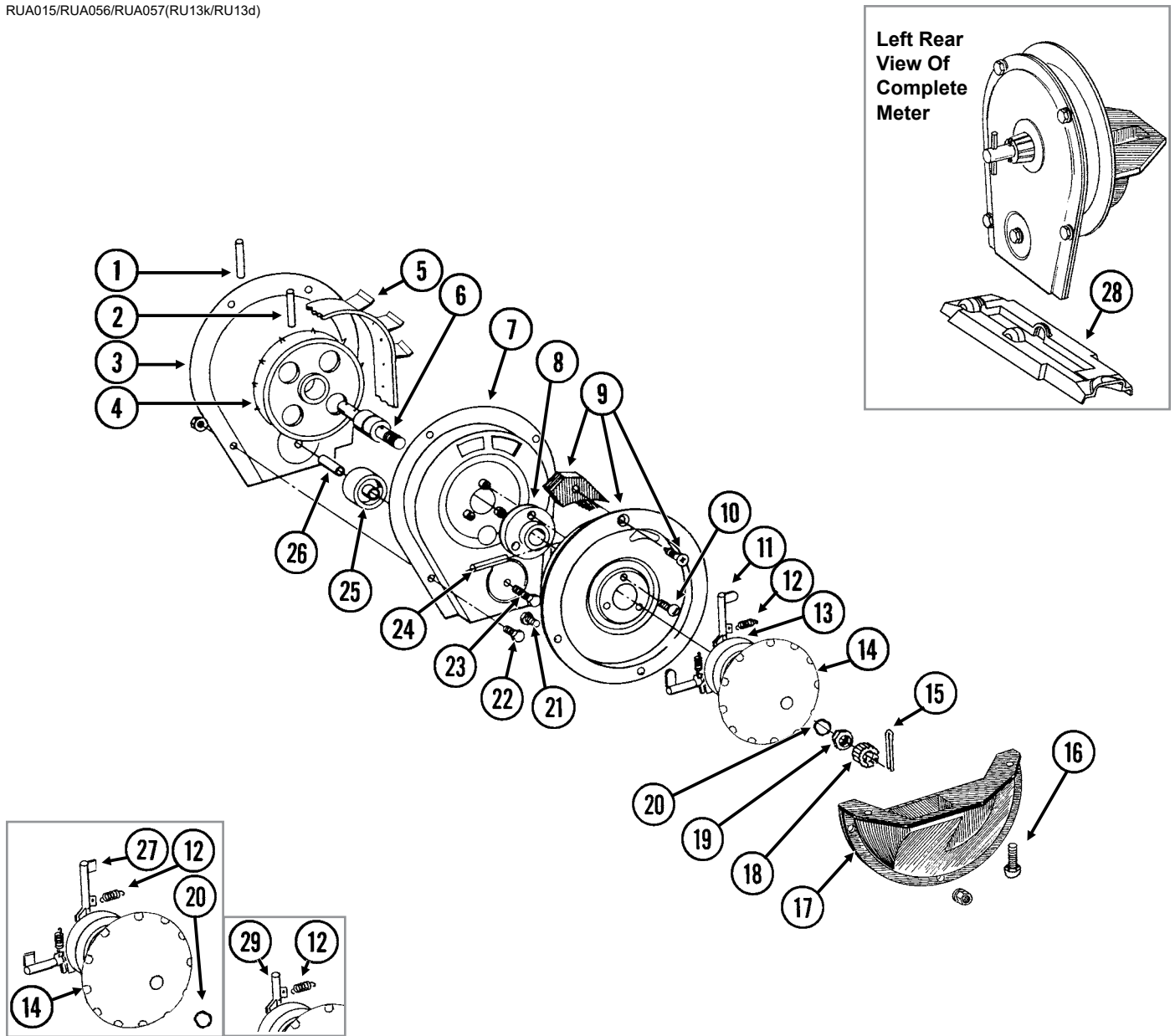
ITEM	PART NO.	QTY. (Per Row)	DESCRIPTION
1	GD1065	1	Idler Spring
2	GD7318	1	Sleeve, 1" Long
3	G10201	1	Special Washer, 3/8" x 1 1/2" O.D.
4	GD1026	1	Sleeve, 1 3/16" Long
5	GD11962	1	Idler
6	G11387	1	Flat Washer, 3/8" SAE
7	G10326	1	Hex Head Cap Screw, 3/8"-16 x 3 3/4"
8	G10108	1	Lock Nut, 3/8"-16

(METR12/RU87e)



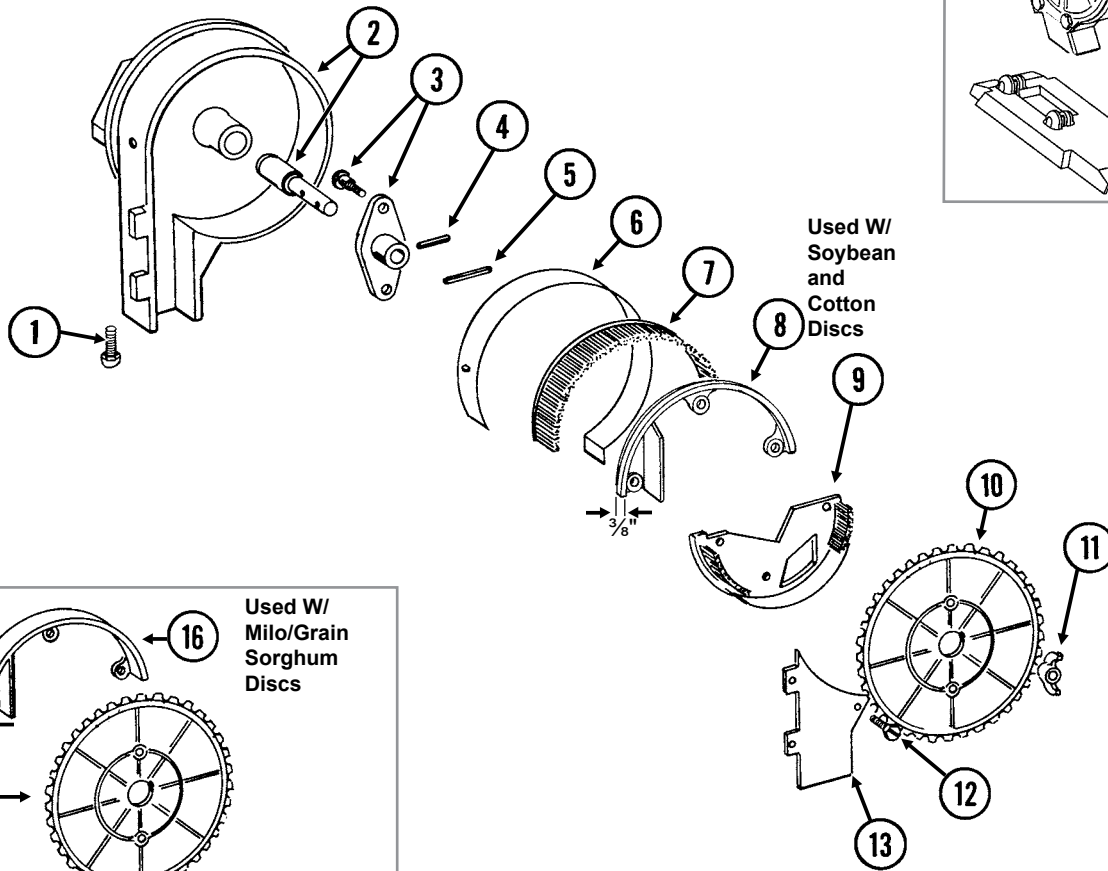
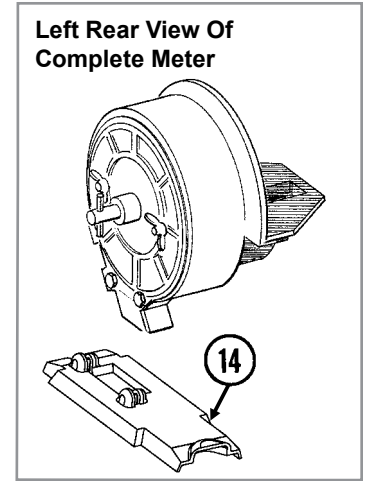
ITEM	PART NO.	QTY.	DESCRIPTION
1	GD11279	1	Lid
2	GA24873	1	Seed Hopper (Vacuum)
	GD12561	-	Threaded Insert, 5/16"-18 (Included W/GA20254)
3	GA9714	1	Seed Hopper, Reinforced (Mechanical)
	GD12561	-	Threaded Insert, 5/16"-18 (Included W/GA9714)

RUA015/RUA056/RUA057(RU13k/RU13d)



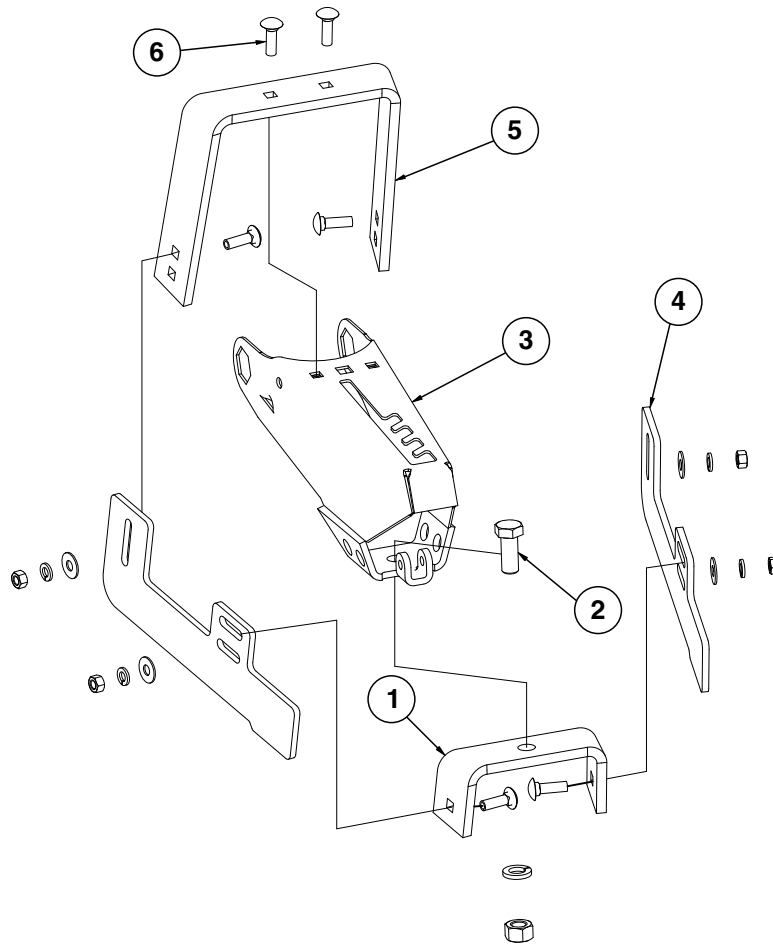
ITEM	PART NO.	QTY. (Per Row)	DESCRIPTION
1	G10602	1	Spring Pin, 1/4" x 1 1/2"
2	G10604	1	Spring Pin, 3/16" x 1 1/2"
3	G10429301	1	Housing Cover
4	GD1041	1	Belt Drive Sprocket
5	GD11286	1	Seed Belt
6	GA2019	1	Bearing
7	G10429101	1	Conveyor Housing
8	GB0110	1	Bearing Housing
9	GR1569	-	Carrier Plate W/Brush and Screw (Corn)
	GR0664	-	Carrier Plate W/Brush and Screw (Sunflower)
	GA2020	-	Brush
	G10690	-	Rolling Thread Screw, No. 10 x 3/4"
10	G10401	3	Slotted Hex Washer Head Screw, No. 10-32 x 5/8"
11	GD18704	12	Finger, Corn
12	GD19790	12	Spring
13	GB0410	1	Cam
14	GD11528	1	Finger Holder
15	G10470	1	Cotter Pin, 5/32" x 1"
16	G11009	2	Locking Thumbscrew, 5/16"-18 x 3/4"
17	GD36922	1	Seed Baffle
18	GD1083	1	Cover Nut
19	G10500	1	Jam Nut, 5/8"-18 UNF
20	GA8343	1	Wave Washer, 5/8" (Triple Wave)
21	G10020	3	Hex Head Cap Screw, 1/4"-20 x 5/8"
	G10323	3	Hex Flange Nut, 1/4"-20, No Serrations
22	G10022	5	Hex Head Cap Screw, 1/4"-20 x 1/2"
	G10621	6	Serrated Flange Nut, 1/4"-20
23	G10021	1	Hex Head Cap Screw, 1/4"-20 x 1 1/2"
	G10621	1	Serrated Flange Nut, 1/4"-20
24	G10603	1	Spring Pin, 1/4" x 1 1/4"
25	GD1042	1	Idler
26	GB0120	1	Bushing, 1 7/64" I.D. x 1 1/32" Long
27	GD19333	12	Finger, Oil Sunflower
28	GD15698	1	Shank Cover, Finger Pickup Seed Meter
29	GD11787	-	Half Rate Blank Finger
A	GR1848	-	Finger Assembly, Corn (Items 11-14 and 20)
B	GR1897	-	Finger Assembly, Oil Sunflower (Items 12, 14, 20, 27, and 30)
C	G10846X	-	Corn Meter (Items 1-26 and 28)

RUA037/RUA056/RUA057(RU14f)



ITEM	PART NO.	QTY. (Per Row)	DESCRIPTION
1	G11009	2	Locking Thumbscrew, 5/16"-18 x 3/4"
2	GA18208	1	Housing W/Bearing
	GA5698	-	Bearing
3	GA6038	1	Hub W/Shoulder Bolts
	GD1755	-	Shoulder Bolt, 1/4"-20 (2 Used)
4	G10603	1	Spring Pin, 1/4" x 1 1/4"
5	G10602	1	Spring Pin, 1/4" x 1 1/2"
6	GD8778	1	Wear Strip
7	GA5699	1	Upper Brush
8	GD11122	1	Upper Brush Retainer (Used W/Soybean and Cotton Discs)
9	GA5834	1	Lower Brush
10	GA5794	-	Seed Disc, Soybean, 60 Cell, Black Color-Coded
	GA6184	-	Seed Disc, Specialty Soybean, 48 Cell, Dark Blue Color-Coded
	GA5796	-	Seed Disc, Cotton, Acid-Delinted, 30 Cell, White Color-Coded
	GA6168	-	Seed Disc, Large Cotton, Acid-Delinted, 36 Cell, Tan Color-Coded
	GA6478	-	Seed Disc, High-Rate Cotton, Acid-Delinted, 48 Cell, Light Green Color-Coded
	GA6182	-	Seed Disc, Hill-Drop Cotton, Acid-Delinted, 12 Cell, Brown Color-Coded
	GA7255	-	Seed Disc, Small Hill-Drop Cotton, Acid-Delinted, 12 Cell, Dark Green Color-Coded
11	G10531	2	Wing Nut W/Nylon Insert, 1/4"-20
12	G11151	9	Hex Washer Head Screw, No. 10-16 x 1/2"
	G10634	-	Slotted Tap Screw, No. 10-24 x 5/8" (Use As Required)
13	GD7878	1	Cover
14	GD15699	1	Shank Cover, Brush-Type Seed Meter
15	GA5982	-	Seed Disc, Small Milo/Grain Sorghum, 30 Cell, Red Color-Coded
	GA6187	-	Seed Disc, Large Milo/Grain Sorghum, 30 Cell, Light Blue Color-Coded
	GA5795	-	Seed Disc, High-Rate Small Milo/Grain Sorghum, 60 Cell, Red Color-Coded
	GA6633	-	Seed Disc, High-Rate Large Milo/Grain Sorghum, 60 Cell, Yellow Color-Coded
16	GD8237	-	Upper Brush Retainer (Used W/Milo/Grain Sorghum Discs)
A	700-01079	-	Brush Meter (Items 1-9 and 11-14)

(IP1202)



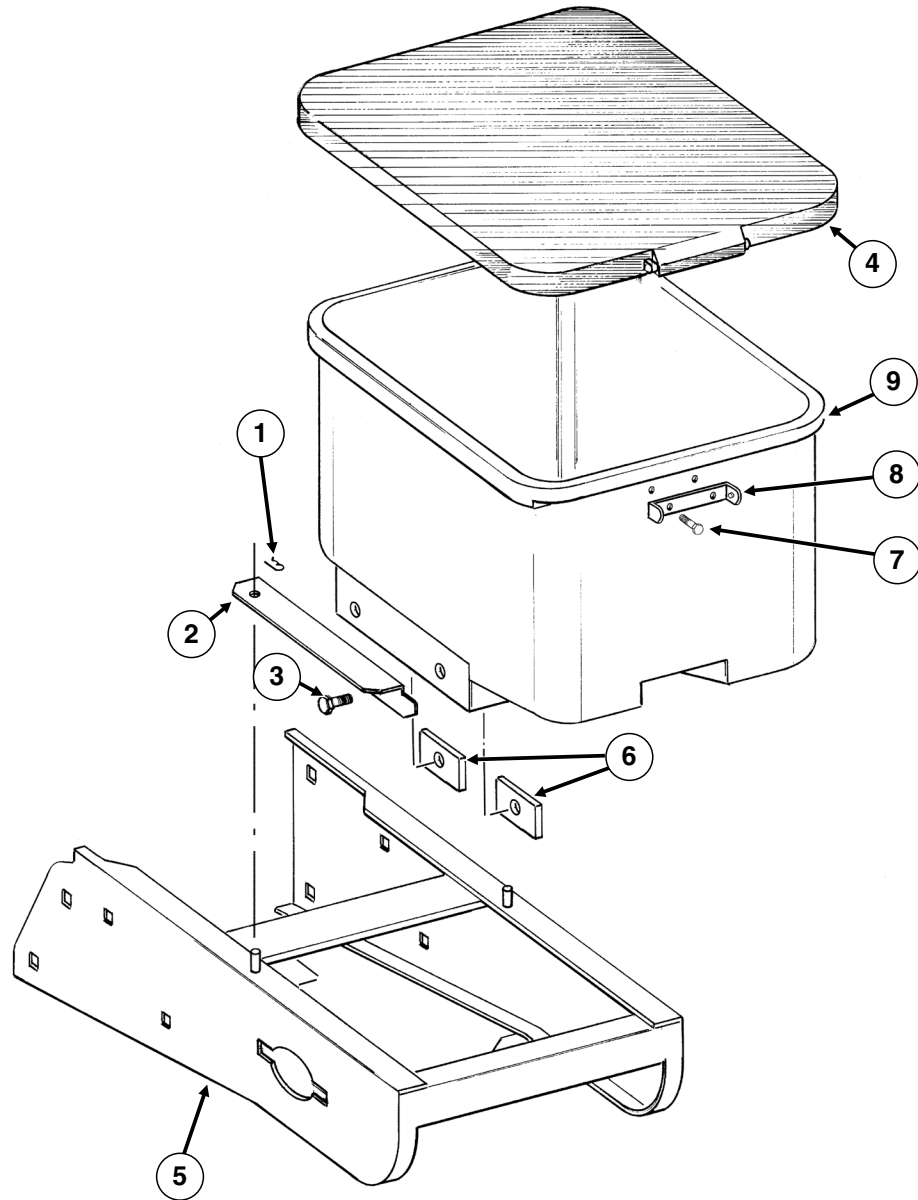
ITEM	PART NO.	QTY. (Per Row)	DESCRIPTION
1	GD11509	1	Rear Bracket
2	G10007	1	Hex Head Cap Screw, 5/8"-11 x 1 1/2"
	G10230	1	Lock Washer, 5/8"
	G10104	1	Hex Nut, 5/8"-11
3	GA15197	1	Arm
4	GD11313	2	Blade
5	GD11508	1	Front Bracket
6	G10599	6	Carriage Bolt, 3/8"-16 x 1 1/4"
	G10229	6	Lock Washer, 3/8"
	G11387	6	Flat Washer, 3/8" SAE
	G10101	6	Hex Nut, 3/8"-16
A	G7566X	-	Drag Closing Attachment Complete (Items 1-6)

Granular Chemical Hopper and Hopper Panel Extension

M0310-02

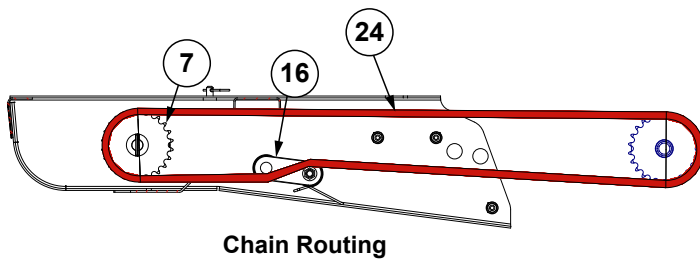
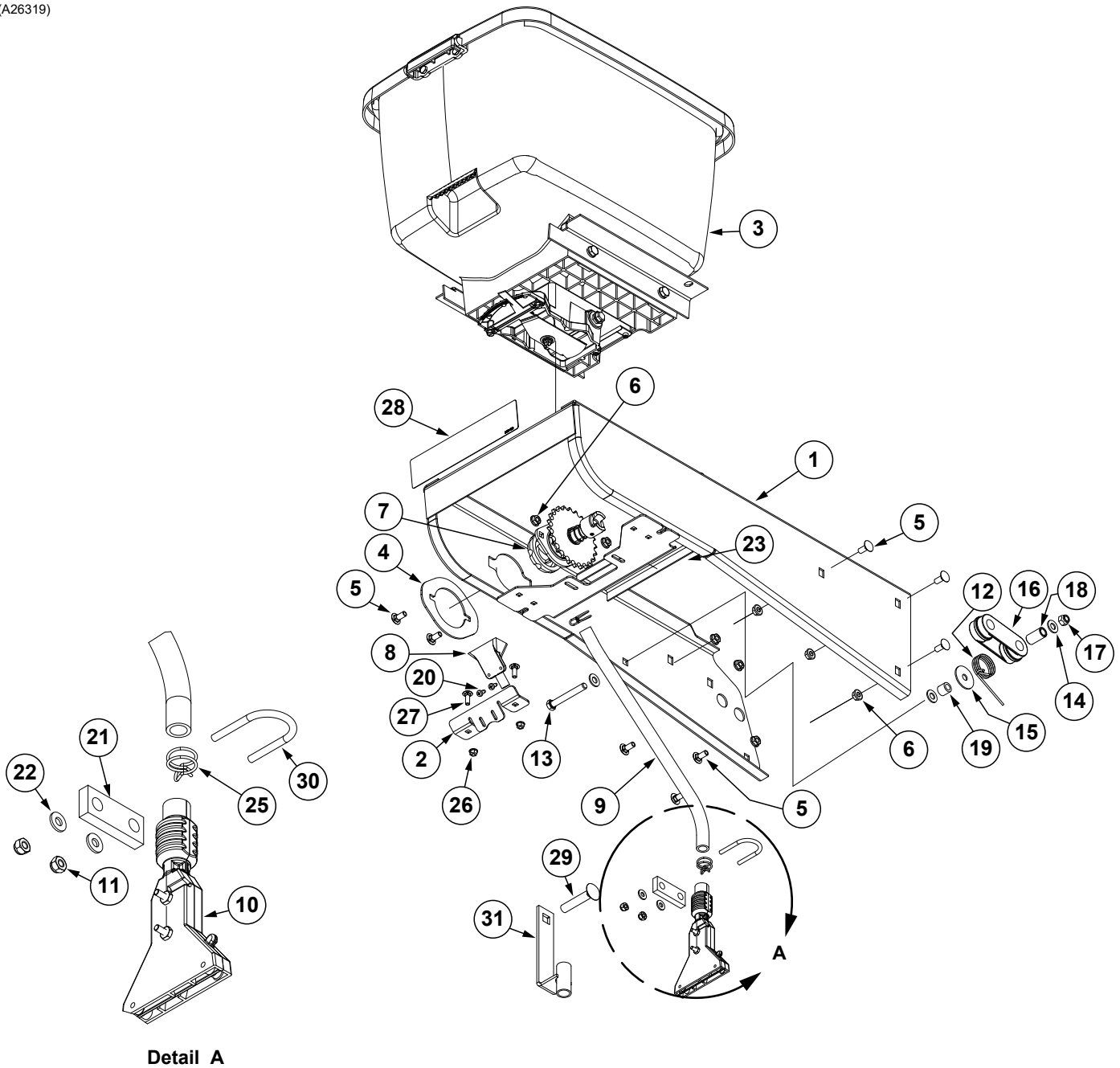
Model 3205

(METR14d)



ITEM	PART NO.	QTY. (Per Row)	DESCRIPTION
1	G10670	2	Hair Pin Clip, No. 3
2	GD1059L GD1059R	1 1	Support, L.H. (Shown) Support, R.H.
3	G10002 G10229	4 4	Hex Head Cap Screw, 3/8"-16 x 3/4" Lock Washer, 3/8"
4	GA4444	1	Lid
5	GA26287	1	Hopper Panel Extension (Non-Stock Item)
6	GD11424	4	Block
7	G10023 G10621	2 2	Hex Head Cap Screw, 1/4"-20 x 3/4" Serrated Flange Nut, 1/4"-20
8	GD1060	1	Hinge
9	GA8371	1	Hopper

(A26319)



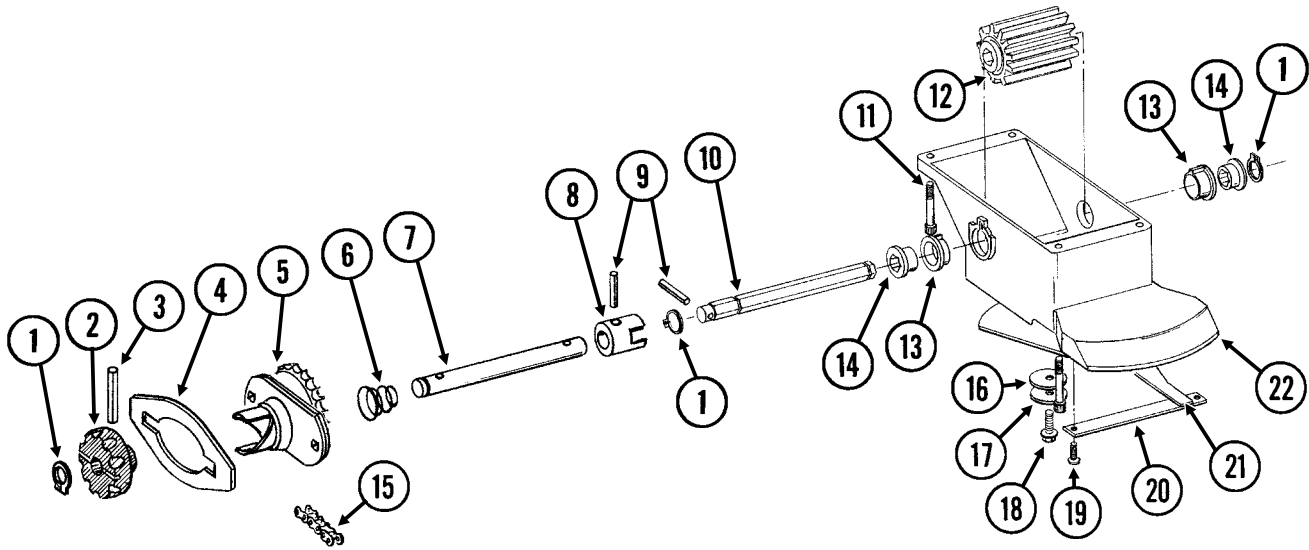
Granular Chemical

M0310-02

Model 3205

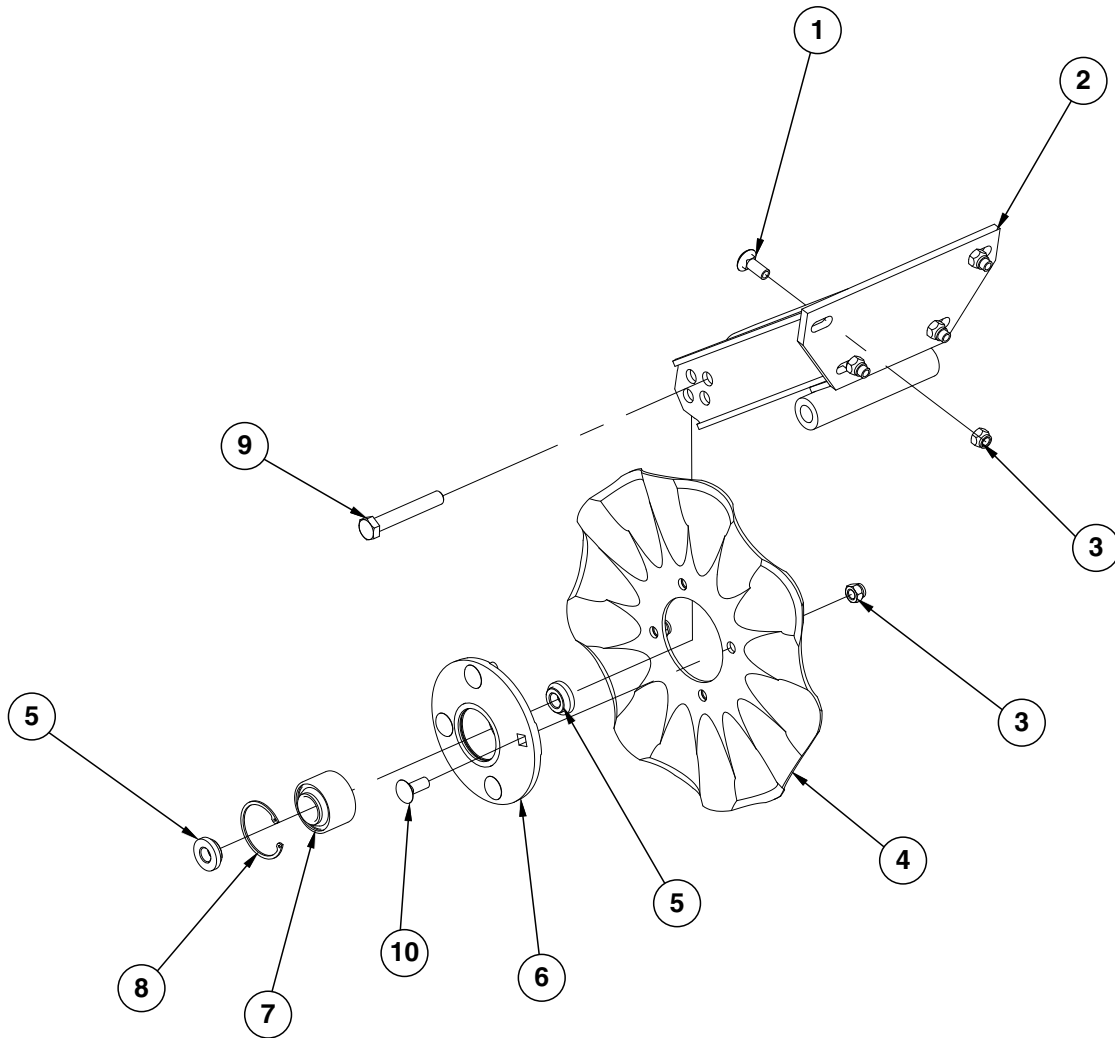
ITEM	PART NO.	QTY. (Per Row)	DESCRIPTION
1	A26287	1	Hopper Panel Extension (Non-Stock Item)
2	GD36277	1	Funnel Bracket
3	---	-	See "Granular Chemical Hopper and Hopper Panel Extension" on page P23
4	GD11305	1	Plate
5	G10312	8	Carriage Bolt, 5/16"-18 x 3/4"
6	G10620	8	Serrated Flange Nut, 5/16"-18
7	---	1	See "Granular Chemical Meter and Meter Drive" on page P26
8	GD2423	1	Funnel
9	GD2947	1	Hose, 7/16" x 28"
10	GA6907	1	Slope-Compensating Bander W/Hardware (4 1/2" Band Width)
	G10864	1	Uni-Clamp (Included W/GA6907)
	G10757	2	Pan Head Screw, No. 10-32 x 1 1/4" (Included W/GA6907)
	G10758	2	Hex Nut, No. 10-32 (Included W/GA6907)
11	G10110	2	Lock Nut, 1/4"-20, Grade B
12	GD11219	1	Spring
13	G10325	1	Hex Head Cap Screw, 3/8"-16 x 2 3/4"
14	G11387	3	Flat Washer, 3/8" SAE
15	G10201	1	Special Washer, 3/8" x 1 1/2" O.D.
16	GD11962	1	Idler
17	G10108	1	Lock Nut, 3/8"-16
18	GD1026	1	Sleeve, 1 3/16" Long
19	GD2971-10	1	Sleeve, 9/16" Long
20	G10966	2	Phillips Head Self-Tapping Screw, No. 10 x 1/2"
21	GD10984	1	Spacer
22	G11385	2	Flat Washer, 1/4" SAE
23	G10670	2	Hair Pin Clip, No. 3
24	G3303-114	1	Chain, No. 41, 114 Pitch Including Connector Link (Mechanical)
	G3303-108	1	Chain, No. 41, 108 Pitch Including Connector Link (Vacuum)
	GR0196	1	Connector Link, No. 41
25	G11209	2	Wire Hose Clamp, 3/4"
26	G10621	2	Serrated Flange Nut, 1/4"-20
27	G10310	2	Carriage Bolt, 1/4"-20 x 3/4", Grade 2
28	---	-	See "Decals, Paint, and Miscellaneous" on page P118
29	G10315	1	Carriage Bolt, 1/2"-13 x 2 1/2" (Replaces Existing 1/2" x 2 1/4" Hardware)
30	GD10963	1	U-Bolt, 1 1/2" x 1 5/16" x 1/4"-20
31	GA6741	1	Bracket (Straight Drop In-Furrow)

RUA051/RUB028(RU91a)



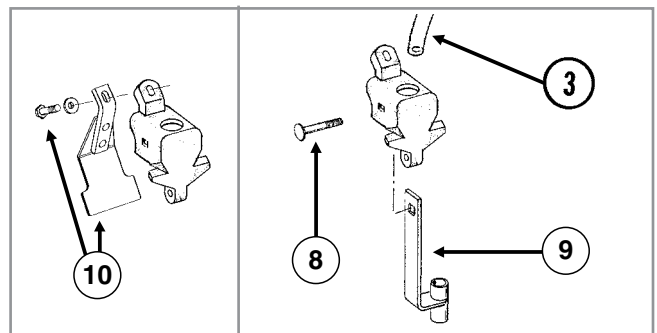
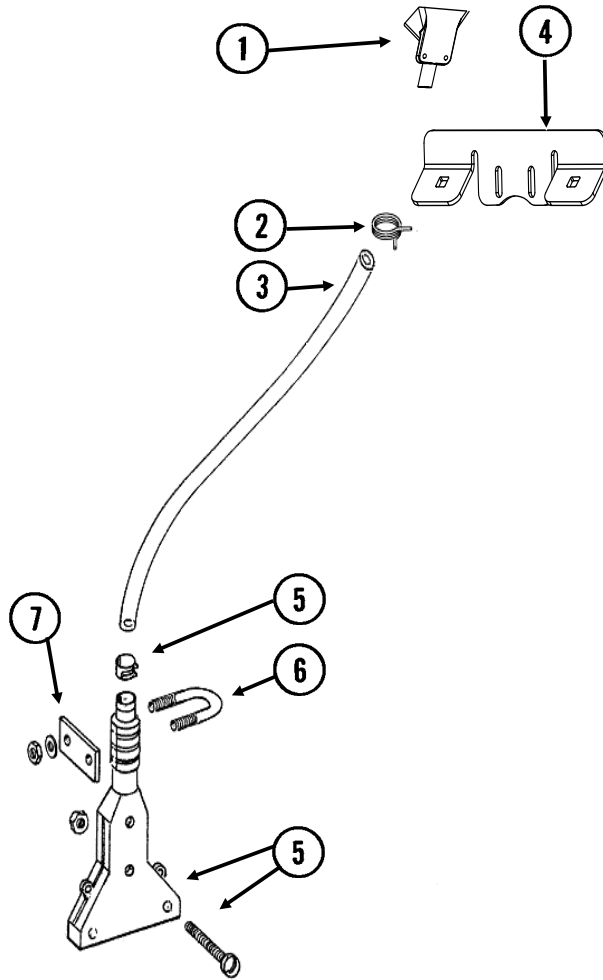
ITEM	PART NO.	QTY. (Per Row)	DESCRIPTION
1	G10567	3	External Retaining Ring, 5/8"
2	GD11239	1	Knob
3	G10602	1	Spring Pin, 1/4" x 1 1/2"
4	---	-	See "Granular Chemical Hopper and Hopper Panel Extension" on page P23
5	GA8364	1	Sprocket And Bearing, Drive Clutch, 24 Tooth
6	GD11413	1	Spring
7	GD11240	1	Shaft
8	GB0278	1	Coupler
9	G10546	2	Spring Pin, 3/16" x 1 1/4"
10	GD11297	1	Shaft
11	G11793	4	Hex Socket Head Cap Screw, No. 10-24 x 7/8"
12	GD7148	1	Feed Roller, Hex Bore
13	GB0115	2	Bearing
14	GD7258	2	Hex Bushing
15	G3303-114	1	Chain, No. 41, 114 Pitch Including Connector Link (Mechanical)
	GR0196	1	Connector Link, No. 41
16	G10660	1	Wave Washer, 1/2"
17	G11385	1	Flat Washer, 1/4" SAE
18	G10570	1	Slotted Hex Self-Tapping Screw, 1/4"-20 x 3/4"
19	G11073	2	Slotted Hex Self-Tapping Screw, No. 10 x 3/8"
20	GD1061	1	Support Strap
21	GD1063	1	Metering Gate
22	GB0116	1	Granular Housing
A	GA8326	-	Granular Chemical Meter Complete (Items 1, 9, 10, 12-14 And 16-22)
B	GA8366	-	Granular Chemical Meter Clutch (Items 1-3 and 5-9)

(IP1279)



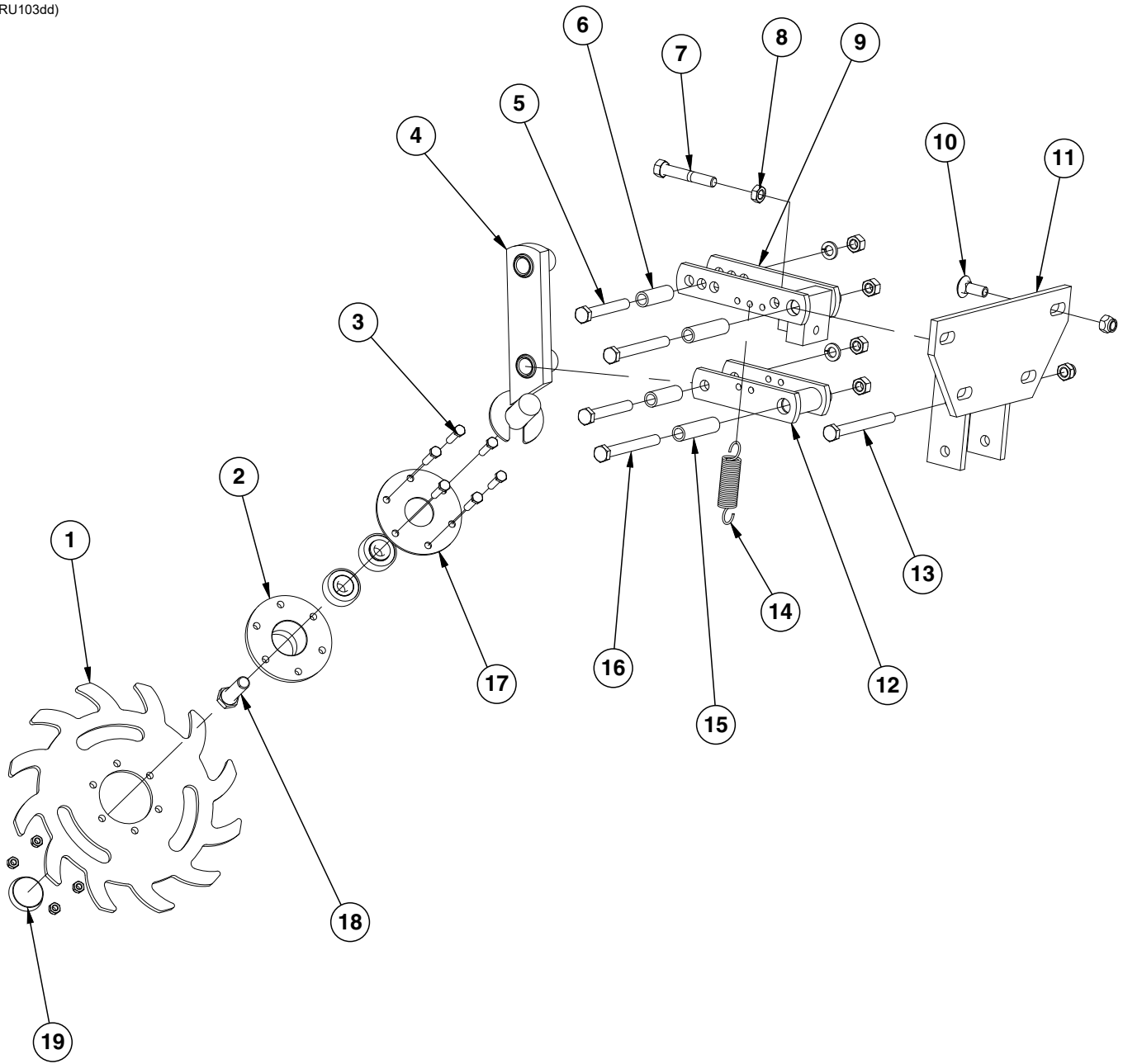
ITEM	PART NO.	QTY. (Per Row)	DESCRIPTION
1	G10574	8	Carriage Bolt, 1/2"-13 x 1 1/4"
2	GA24239	1	Arm
3	G10111	8	Lock Nut, 1/2"-13
4	GD7803	1	Disc Blade, Fluted, 1", 8 Flutes (Shown)
	GD7804	-	Disc Blade, Bubbled, 1"
	GD9254	-	Disc Blade, Fluted, 3/4", 13 Flutes
5	GD11677	2	Adapter
6	GA8641	1	Hub W/Bearing And Retaining Ring (Includes items 7 and 8)
7	GA8603	1	Bearing, Double Row
8	GD19292	1	Retaining Ring (Square), 2 7/16"
9	G10036	1	Hex Head Cap Screw, 5/8"-11 x 4"
	G10107	1	Lock Nut, 5/8"-11

RUA061/RUA073(RU101mm/RU83m)



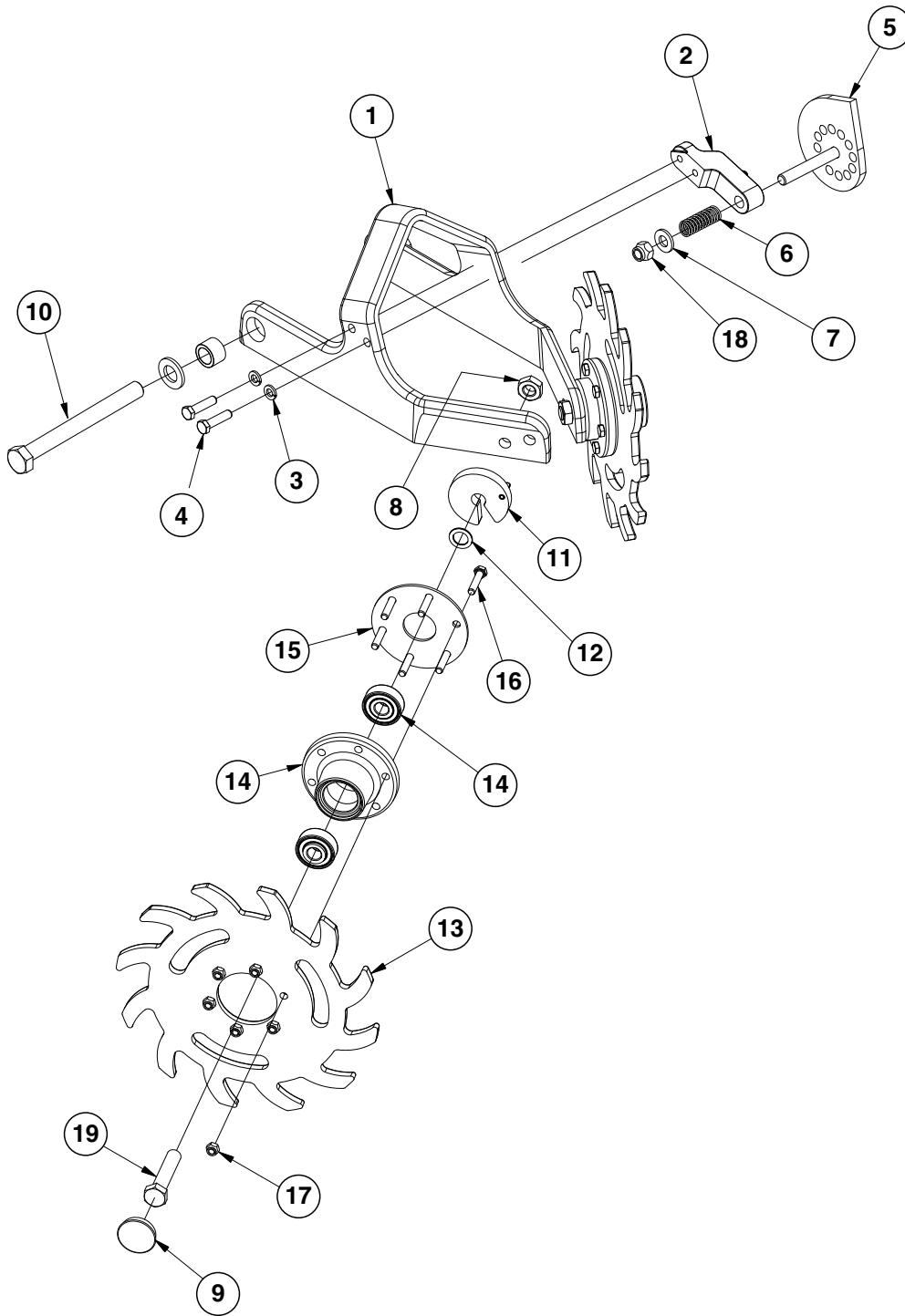
ITEM	PART NO.	QTY.	DESCRIPTION
1	GD2423	1	Funnel
2	G11209	1	Wire Hose Clamp, 3/4"
3	GD2947	1	Hose, 7/16" x 28"
4	G10523	1	Slotted Pan Head Self-Tapping Screw, No. 10 x 1/2"
	G10621	2	Serrated Flange Nut, 1/4"-20
	G10310	2	Carriage Bolt, 1/4"-20 x 3/4", Grade 2
5	GA6907	1	Slope-Compensating Bander W/Hardware (4 1/2" Band Width)
	G10864	1	Uni-Clamp (Included W/GA6907)
	G10757	2	Pan Head Screw, No. 10-32 x 1 1/4" (Included W/GA6907)
	G10758	2	Hex Nut, No. 10-32 (Included W/GA6907)
6	GD10963	1	U-Bolt, 1 1/2" x 1 5/16" x 1/4"-20
	G11385	2	Flat Washer, 1/4" SAE
	G10110	2	Lock Nut, 1/4"-20, Grade B
7	GD10984	1	Spacer
8	G10315	1	Carriage Bolt, 1/2"-13 x 2 1/2" (Replaces Existing 1/2" x 2 1/4" Hardware)
9	GA6741	1	Bracket (Straight Drop In-Furrow)
10	G1K385	-	Bander Shield Kit W/Hardware and Instruction
	G10003	1	Hex Head Cap Screw, 3/8"-16 x 1 1/2" (Included W/G1K385)
	G11387	1	Flat Washer, 3/8" SAE (Included W/G1K385)

(RU103dd)



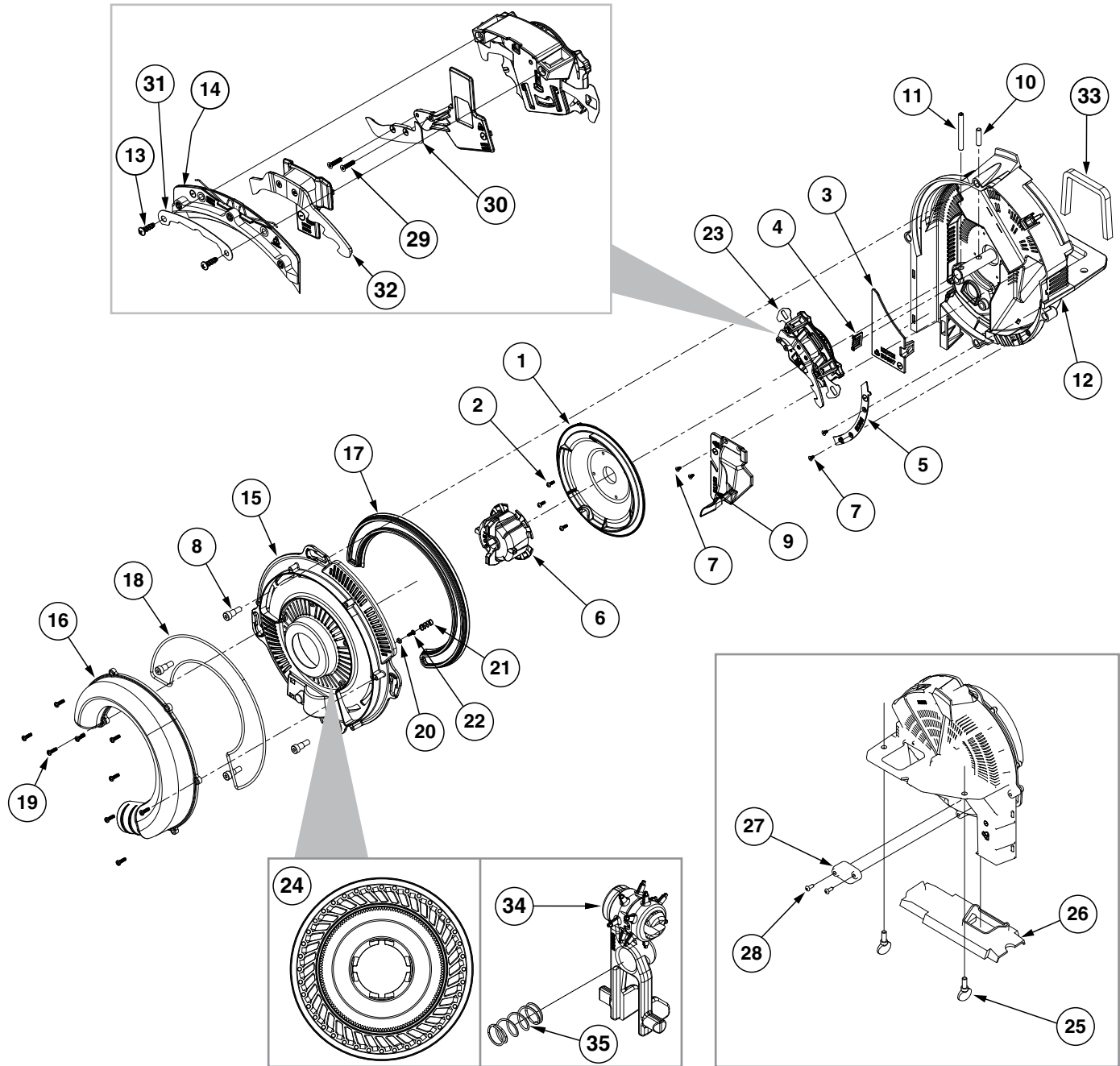
ITEM	PART NO.	QTY. (Per Row)	DESCRIPTION
1	GB0387	1	Wheel, 12 Tine, 3/8" x 12"
2	GA5654 GA2014	1 -	Hub W/Bearings Bearing
3	G10133 G10109	6 6	Hex Head Cap Screw, 5/16"-18 x 1 1/2" Lock Nut, 5/16"-18, Grade 8
4	GA6838	1	Wheel Mount
5	G10033 G10228 G10102	2 2 2	Hex Head Cap Screw, 1/2"-13 x 3 1/2" Lock Washer, 1/2" Hex Nut, 1/2"-13
6	GD9720	2	Spacer, 1/2" x 2 3/16" Long
7	G10371	1	Hex Head Cap Screw, 1/2"-13 x 3", Full Thread
8	G10501	1	Hex Jam Nut, 1/2"-13, Grade 2
9	GA6833	1	Upper Link
10	G10574 G10111	4 4	Carriage Bolt, 1/2"-13 x 1 1/4" Lock Nut, 1/2"-13
11	GA6832	1	Mount
12	GA6834	1	Lower Link
13	G10348 G10111	1 1	Hex Head Cap Screw, 1/2"-13 x 5" (Lockup Bolt) Lock Nut, 1/2"-13
14	GD5857	2	Spring
15	GD9715	2	Spacer, 1/2" x 3" Long
16	G10045 G10228 G10102	2 2 2	Hex Head Cap Screw, 1/2"-13 x 4 1/2" Lock Washer, 1/2" Hex Nut, 1/2"-13
17	GD9724	1	Backing Plate
18	G10006	1	Hex Head Cap Screw, 5/8"-11 x 2 1/4"
19	GD1132	1	Dust Cap
A	GA12236	-	Wheel Assembly, 12 Tine, R.H. (Items 1-3 and 18)

(IP1468)



ITEM	PART NO.	QTY. (Per Row)	DESCRIPTION
1	GB0464	1	Residue Wheel Mount
2	GD26973	1	Cam Locking Pin
3	G10229	2	Lock Washer, 3/8"
4	G10004	2	Hex Head Cap Screw, 3/8"-16 x 1 1/4"
5	GA27038	1	Row Cleaner Cam
6	GD10519	1	Spring
7	G11389	1	Flat Washer, 1/2" Plated SAE
8	G10503	2	Hex Jam Nut, 5/8"-11, Grade 2
9	GD1132	2	Dust Cap
10	G11236	1	Hex Head Cap Screw, 3/4"-10 x 10 1/2"
	G11392	2	Flat Washer, 3/4" SAE
	GB0383	2	Bushing, 1 1/8" O.D. x 25/32" I.D. x 3/4" Long
	G11228	1	Lock Nut, 3/4"-10
11	GA8760	2	Weed Guard W/Spring Pin
	G10765	-	Spring Pin, 1/4" x 1" (Included W/GA8760)
12	GD30725	4	Machine Bushing, 5/8" (.030" Thick)
13	GB0387	2	Wheel, 12 Tine, 3/8" x 12"
14	GA5654	2	Hub W/Bearings
	GA2014	-	Bearing (Included W/GA5654)
15	GD9724	2	Backing Plate
16	G10133	12	Hex Head Cap Screw, 5/16"-18 x 1 1/2"
17	G10109	12	Lock Nut, 5/16"-18, Grade 8
18	G10974	1	Lock Nut W/Nylon Insert, 1/2"-13
19	G10010	2	Hex Head Cap Screw, 5/8"-11 x 3"
A	GA12235	-	L.H. Residue Wheel (Items 13-17)
B	GA12236	-	R.H. Residue Wheel (Items 13-17)

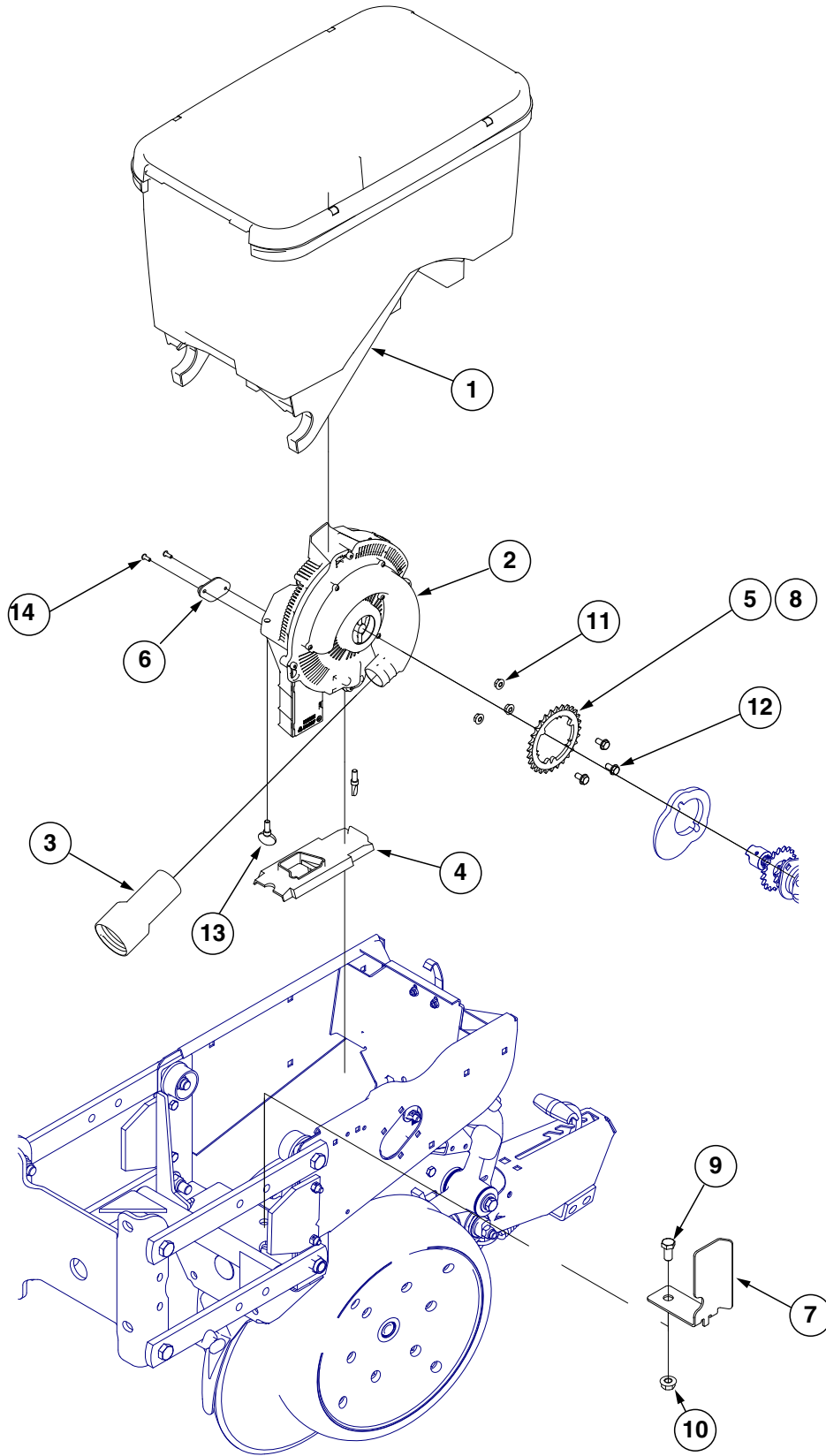
(IP1507)



ITEM	PART NO.	QTY.	DESCRIPTION
1	GB0815	1	Shield
2	G11619	4	Phillips Pan Head Tapping Screw, No. 6-19 x 3/8"
3	GB0697	1	Chute Cover
4	GB0780	1	Brush
5	GB0823	1	Baffle
6	GB0816	1	Disc Hub
7	G11618	2	Torx Flat Head Tapping Screw, No. 6-19 x 1/4"
8	G11172	4	Hex Socket Head Shoulder Screw, 1/4"-20 x 3/8", Stainless Steel
9	GA24878	1	Brush Assembly

10	G11448	1	Pin, ¼" x 1"
11	G10475	1	Spring Pin, ¼" x 2¼"
12	GA24877	1	Meter Housing W/Bearing
13	G11578	2	Phillips Pan Head Tapping Screw, No. 8-18 x ½"
14	GA24676	1	Singulator Guide Assembly
15	GB0920	1	Cover
16	GB0818	1	Vacuum Port, Pull Row Unit
17	GB0676	1	Lip Seal
18	GD26593	1	Gasket Housing
19	G11556	9	Phillips Pan Head Tapping Screw, 6-19 x ½"
20	GB0907	1	Retainer Spring
21	G10483101	1	Compression Spring
22	G11619	1	Phillips Pan Head Tapping Screw, No. 6-19 x ⅜"
23	GA24752	1	Singulator Assembly (Includes Items 13 and 14)
24	G11152X	-	Seed Disc, Corn, 40 Cell, Light Blue Color-Coded, Ejector Wheel, and Spring
	G11046X	-	Seed Disc, 83 Cell, Ejector Wheel, and Spring
	G11042X	-	Seed Disc, Wheat, 54 Cell, Ejector Wheel, and Spring
	G11047X	-	Seed Disc, Soybean, 120 Cell, Black Color-Coded, Ejector Wheel, and Spring
	G11048X	-	Seed Disc, Soybean, 60 Cell, Black Color-Coded, Ejector Wheel, and Spring
	G11154X	-	Seed Disc, Sugar Beets/Milo, Dark Orange Color-Coded, Ejector Wheel, and Spring
	G11153X	-	Seed Disc, Sunflower, 40 Cell, Gray Color-Coded, Ejector Wheel, and Spring
	G11105X	-	Seed Disc, Cotton, 60 Cell, Green Color-Coded, Ejector Wheel, and Spring
	G11106X	-	Seed Disc, Black Turtle and Navy Edible Bean and Popcorn, 60 Cell, Brown Color-Coded, Ejector Wheel, and Spring
	G11107X	-	Seed Disc, Pinto and Great Northern Edible Beans and Low-Rate Soybean, 60 Cell, Dark Blue Color Coded, Ejector Wheel, and Spring
	GB1237	-	Anti-Static Blank Seed Disc
	GB1231	-	Blank Seed Disc
25	G11009	2	Locking Thumbscrew, ⅝"-18 x ¾"
26	GB0926	1	Shank Cover
27	GD28631	1	Cover Plate
28	G11281	2	Hex Button Head Cap Screw, 10-24 x ½"
29	G11693	2	Torx Flat Head Machine Screw, No. 4-40 x ½"
30	GB0921	1	Lower Blade
31	GD29657	1	Retainer
32	GB0958	1	Outer Blade
33	GD34774	1	Meter Gasket
34	G10665101	-	Ejector Arm, Corn
	G10483401	-	Ejector Arm, Soybean (120 Cell)
	G10483201	-	Ejector Arm, Soybean (60 Cell)
	G10665001	-	Ejector Arm, Sunflower
	G10664901	-	Ejector Arm, Beets/Milo
	G10614301	-	Ejector Arm, Black Turtle, Navy, Pinto, and Great Northern Edible Bean, Popcorn, and Low-Rate Soybean, Cotton
	GA25550	-	Ejector Arm, Rapeseed
	GA26989	-	Ejector Arm, Wheat
35	G10483101	-	Compression Spring
A	G9903X	-	Vacuum Meter Assembly, Pull Row Unit (Excludes Item 24)
B	GA20622	-	Cover Assembly (Items 15-22)

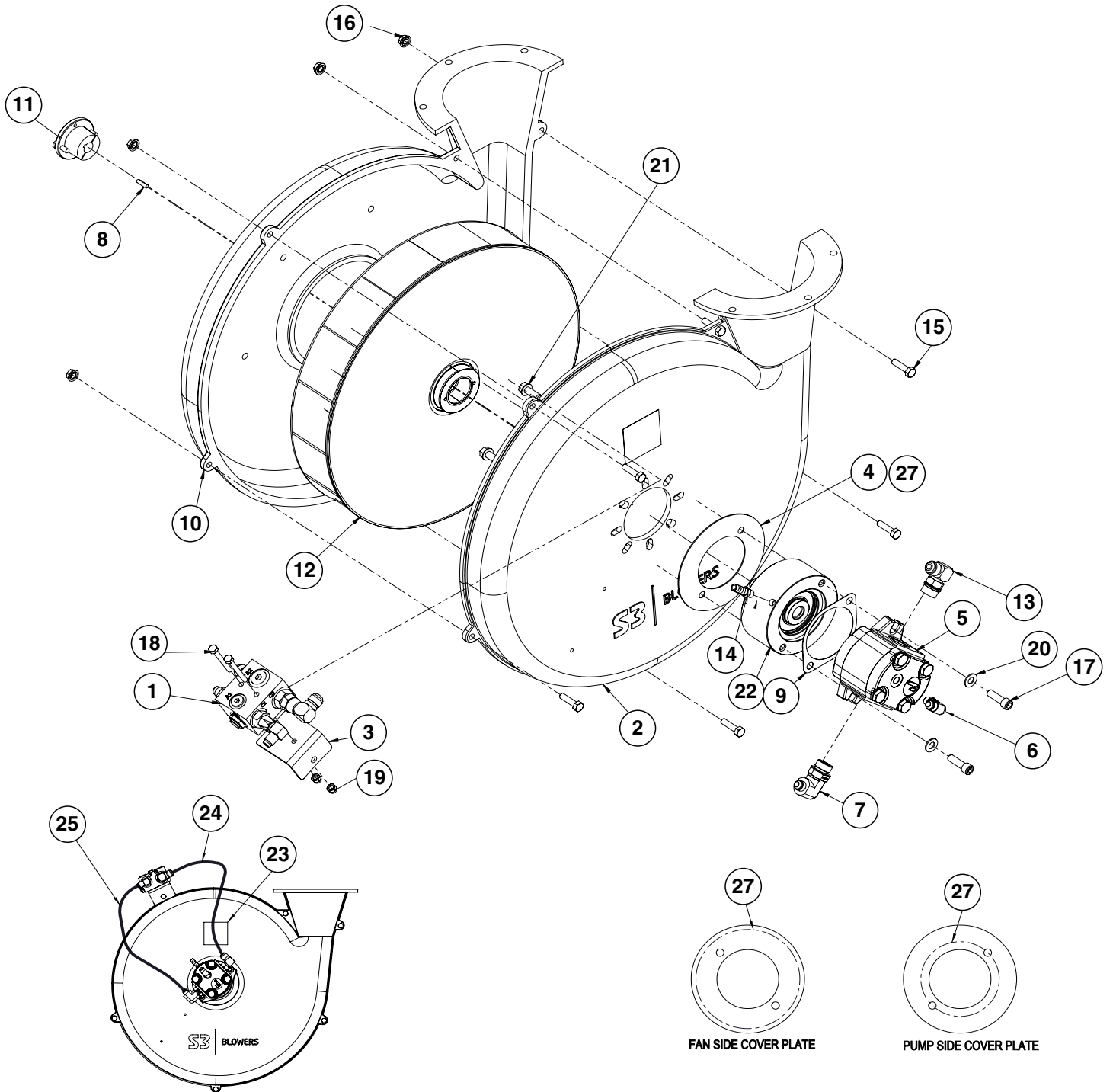
(A21301)



ITEM	PART NO.	QTY.	DESCRIPTION
1	GA20254	1	Seed Hopper (Vacuum)
2	---	1	"Vacuum Seed Meter" on page 34
3	GB0827	1	Vacuum Reducer, 2" to 1 $\frac{3}{4}$ "
4	GB0926	1	Shank Cover
5	GD17192	1	Bolt-On Sprocket, 28 Tooth
6	GD28631	1	Cover Plate
7	GD29798	1	Chain Guard Bracket
8	G3303-108 GR0196	1 -	Chain, No. 41, 108 Pitch Including Connector Link Connector Link, No. 41
9	G10014	1	Hex Head Cap Screw, $\frac{1}{2}$ "-13 x 1"
10	G10071	1	Serrated Flange Nut, $\frac{1}{2}$ "-13
13	G11009	2	Locking Thumbscrew, $\frac{5}{16}$ "-18 x $\frac{3}{4}$ "
14	G11281	2	Hex Button Head Cap Screw, 10-24 x $\frac{1}{2}$ "
11	G10620	3	Serrated Flange Nut, $\frac{5}{16}$ "-18
12	G10961	3	Flanged Whiz Lock Screw, $\frac{5}{16}$ "-18 x $\frac{3}{4}$ ", No Serration

ITEM	PART NO.	QTY.	DESCRIPTION
1	G11215	3	Hex Flat Head Cap Screw, No. 6-32 x 3/8", Grade 8
2	G7100-178	1	Decal, Econo-Fold®, 3/4" x 3"
3	GD26697	1	Backing Plate
4	GD27181	1	Fan Diffuser Gasket
5	GA21337	1	Fan Diffuser W/Screen
6	GR1777	1	Hose Barb, 3/16" x 1/8" NPT
7	GD19079	1	Plug, 1/8" NPT
8	GA19018	2	Air Filter, 1/8" NPT
9	G10681	1	Hose Clamp, No. 6
10	G10345301	1	3205 Vacuum Fan Mount
11	G10451601	1	Fan Support
12	GD11132	2	U-Bolt, 4" x 7" x 1/2"-13
13	G11389	8	Flat Washer, 1/2" Plated SAE
14	G10111	6	Lock Nut, 1/2"-13
15	G10171	12	Hex Head Cap Screw, 5/16"-18 x 1 1/4"
16	G11386	18	Flat Washer, 5/16" SAE
17	G10620	6	Serrated Flange Nut, 5/16"-18
18	G10020	2	Hex Head Cap Screw, 1/4"-20 x 5/8"
19	G10209	2	Washer, 1/4" USS
20	G10039	2	Hex Head Cap Screw, 1/2"-13 x 1 3/4"
21	G10109	6	Lock Nut, 5/16"-18, Grade 8
22	G10367201	1	Decal, Improper Operation Warning
23	GA21406	1	Lock Nut, 3/8"-16
24	GD6279-03	1	Clear Plastic Tubing, 3/8" O.D. x 28"
25	G4431-01	1	Edge Molding, 3/8" x 19"
26	---	1	"Vacuum Fan Assembly" on page 40
27	G6500-08	1	Swivel Elbow, 90°, 3/4"-16 Male JIC To Female
28	G6500-06	1	Swivel Elbow, 90°, 9/16"-18 Male JIC To Female

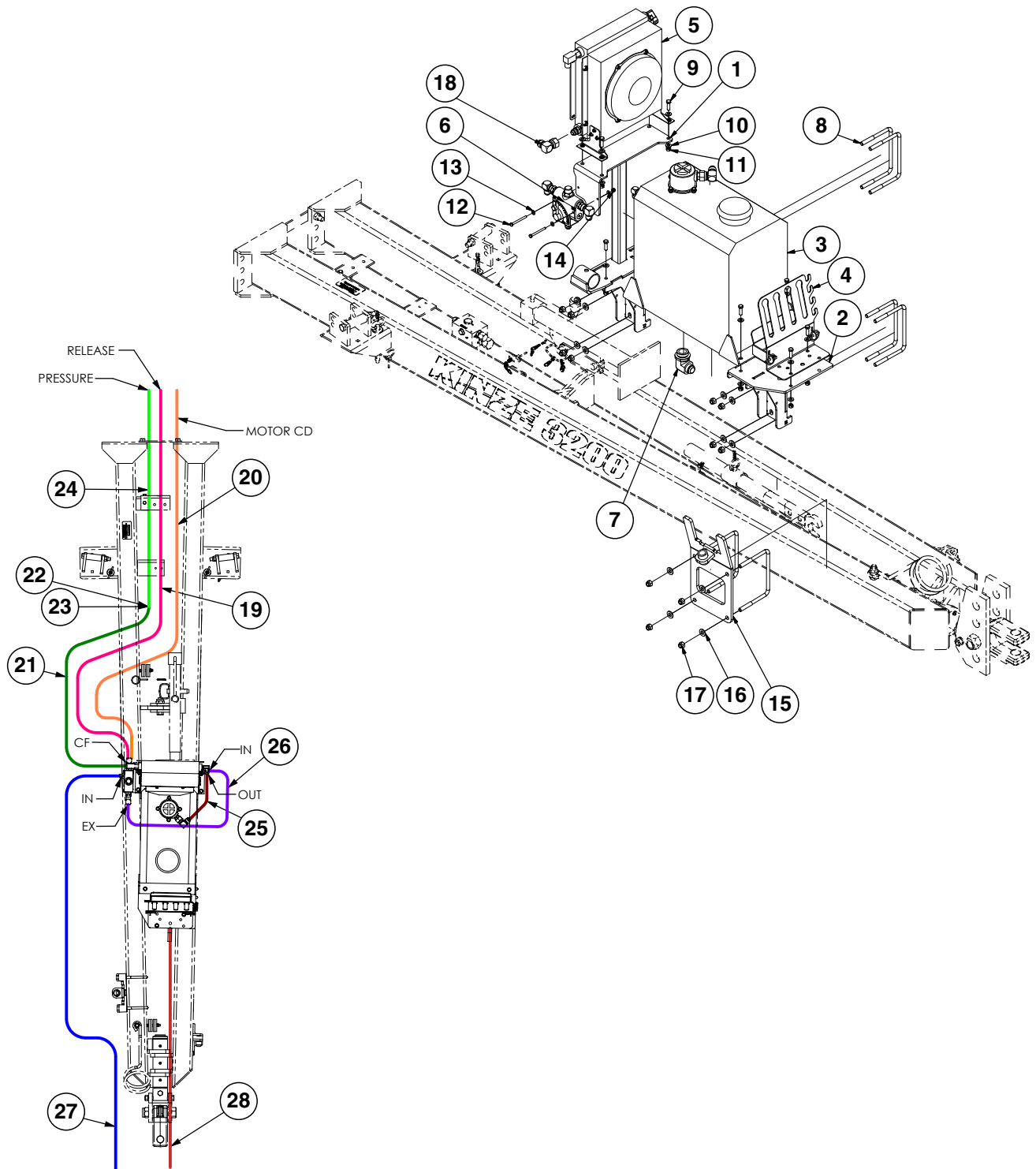
(109235)



ITEM	PART NO.	QTY.	DESCRIPTION
1	GA26398	1	Bulk Fill/Vacuum Anti-Cavitation Check Valve Block
2	GD35448	1	Vacuum Fan Drive Case
3	GD34098	1	Plate Mount Bracket
4	GD25644	1	Cover Plate
5	GA24426	1	Vacuum Fan Hydraulic Motor W/Seal Kit
6	G6801-06-04	1	Elbow, 90°, 9/16"-18 x 7/16"-20 W/O-Ring
7	G6801-06-10	1	Elbow, 90° 9/16"-18 x 7/8"-14 W/O-Ring
8	GD21300	1	Key, 3/16" x 3/4"
9	GD30882	1	2-Bolt Mount Gasket
10	GD35447	1	Inlet Housing
11	GD34103	1	Bushing
12	GA21510	1	Impeller
13	G6801-08-10	1	Elbow, 90° 3/4"-16 x 7/8"-14 W/O-Ring
14	GD35294	1	Hose Barb, 1/8"-27 NPTF x 3/8"
15	G10171	6	Hex Head Cap Screw, 5/16"-18 x 1 1/4"
16	G10620	6	Serrated Flange Nut, 5/16"-18
17	G11848	2	Hex Socket Head Cap Screw, 3/8"-16 x 1-1/4"
18	G10880	2	Hex Head Cap Screw, 1/4"-20 x 2 1/4"
19	G11320	2	Lock Nut, 1/4"-20, Grade B
20	G11387	2	Hardened Washer, 3/8" SAE
21	G11124	2	Hex Serrated Flange Cap Screw, 3/8"-16 x 1"
22	GA25388	1	Load Adapter
23	G10367101	1	Decal, Caution
24	*A12767	1	Hose Assy 1/2 X 22.0 (08F-08F)
25	*A3292	1	Hose Assy 3/8 X 22 (06F-06F)
26	GD20984	1	LOCTITE 243
27	GD27215	1	Silicone Sealer, Dow Corning 732, Clear

*Hydraulic Hose is not stocked by Kinze Repair Parts.

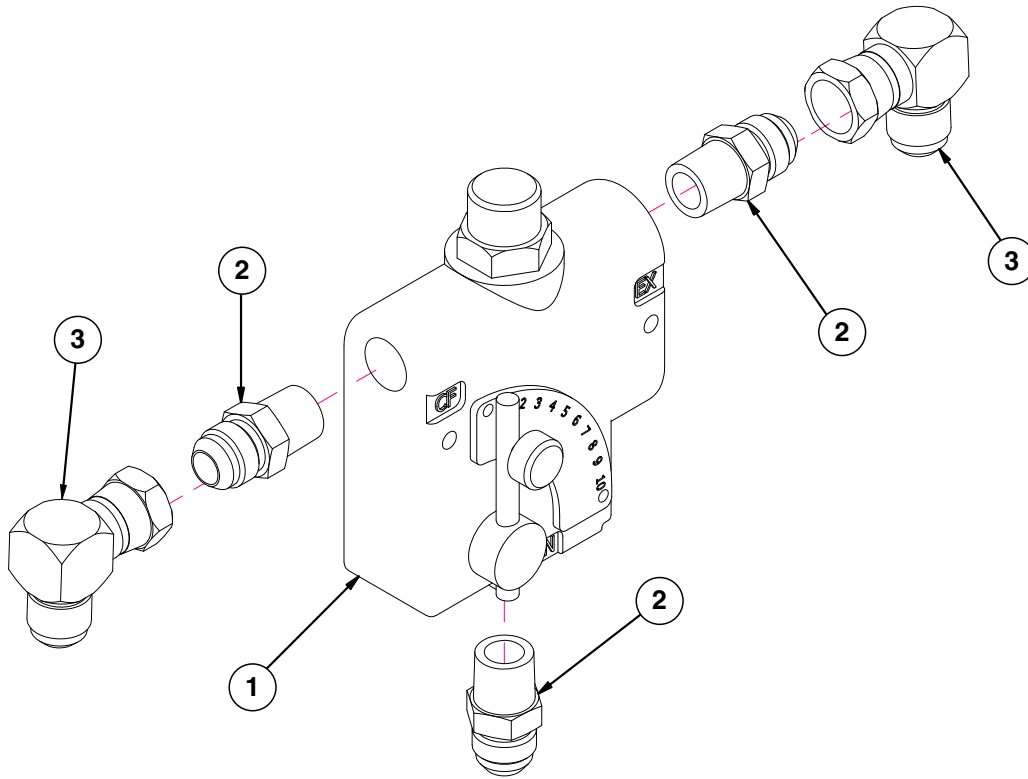
(110344)



ITEM	PART NO.	QTY.	DESCRIPTION
1	G11034501	1	Rear PTO Mount
2	G11034601	1	Front PTO Mount
3	GA22223	1	Hydraulic Tank
4	GA25760	1	Hydraulic Hose Holder
5	GA22306	1	Cooler Fan
6	GA22305	1	Bypass Valve Assembly
7	G3801-16-20	1	90° Elbow, 1-5/16"-12 to 1-1/4"-14 O-Ring
8	GD11132	6	U-Bolt, 4" x 7" x 1/2"-13
9	G10004	10	Hex Head Cap Screw, 3/8"-16 x 1 1/4"
10	G11387	20	Flat Washer, 3/8" SAE
11	G10108	10	Lock Nut, 3/8"-16
12	G10746	2	Hex Head Cap Screw, 1/4"-20 x 2 3/4"
13	G11385	4	Flat Washer, 1/4" SAE
14	G10110	2	Lock Nut, 1/4"-20, Grade B
15	G11034701	1	Universal PTO Pump Mount
16	G11389	12	Flat Washer, 1/2" Plated SAE
17	G10111	12	Lock Nut, 1/2"-13
18	G6500-12	1	Swivel Elbow, 90°, 1 1/16"-12 Male JIC To Female
19	*A18678-102	1	Hose Assembly, 1/2" x 102" (08F - 12F)
20	*A15092-90	1	Hose Assembly, 3/8" x 90" (06F - 08F)
21	*A18666-60	1	Hose Assembly, 1/2" x 60" (10F - 10F)
22	G2403-08	1	Union, 3/4"-16 Male JIC
23	G2406-08-10	1	Adapter, 3/4"-16 Male JIC x 7/8"-14 Female JIC
24	*A15086-46	1	Hose Assembly, 3/8" x 46" (06F - 08F)
25	*A21527-24	1	Hose Assembly, 1/2" x 24" (10F - 10F)
26	*A18666-24	1	Hose Assembly, 1/2" x 24" (10F - 10F)
27	*A18666-128	1	Hose Assembly, 1/2" x 128" (10F - 10F)
28	*A12990-90	1	Hose Assembly, 1" x 90" (16F - 16F)

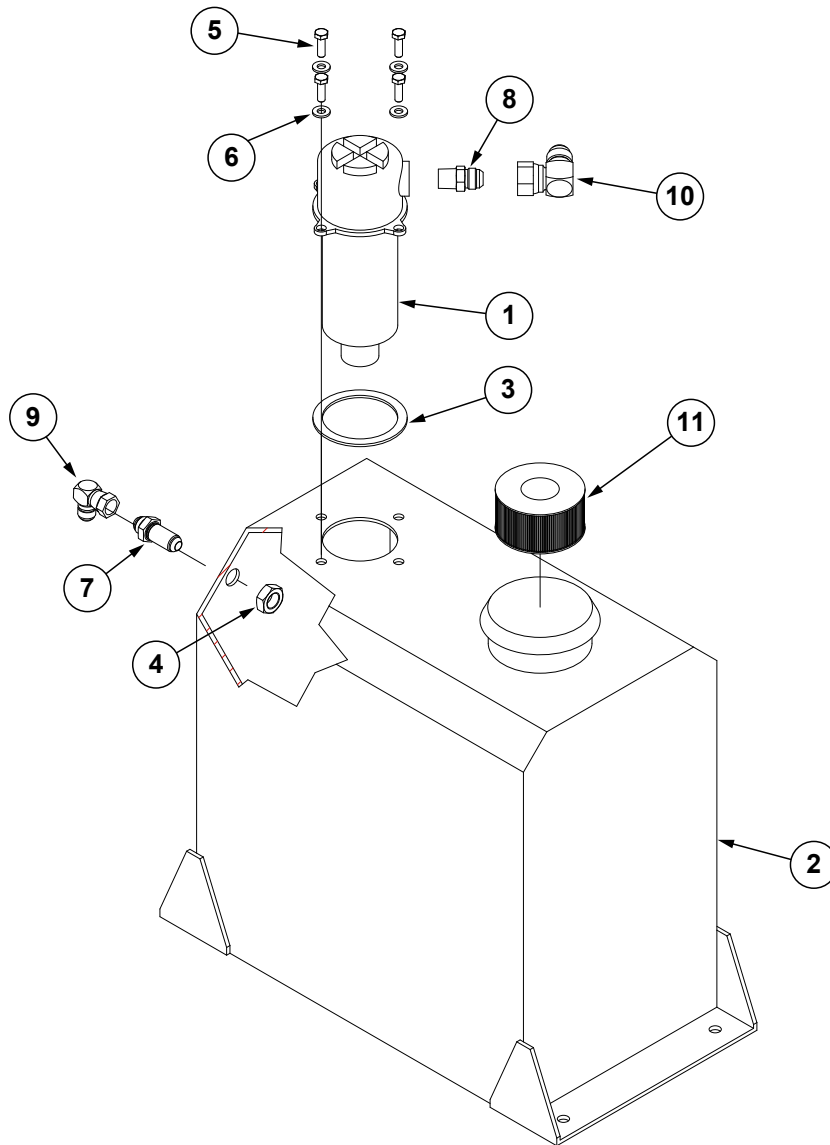
*Hydraulic Hose not stocked by Kinze Repair Parts

(A22305)



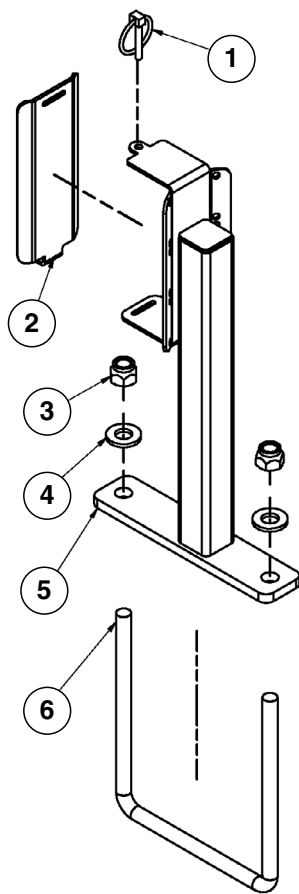
ITEM	PART NO.	QTY.	DESCRIPTION
1	GA10918	1	Flow Control Valve
2	G2404-10-08	3	Adapter, 7/8"-14 JIC x 1/2" NPT
3	G6500-10	2	Swivel Elbow, 90°, 7/8"-14 Male JIC To Female

(A22223)

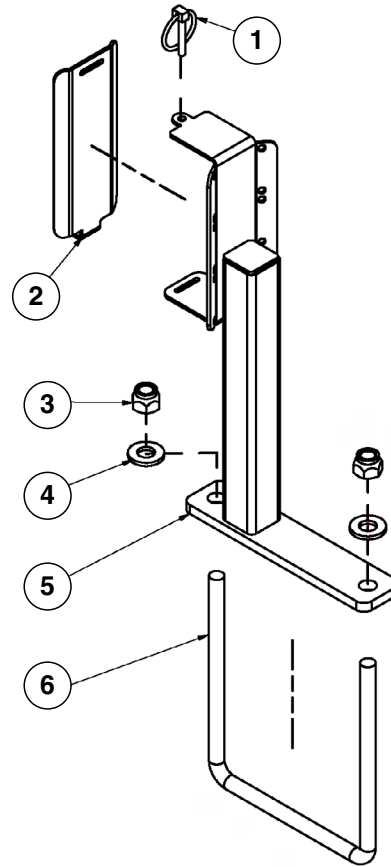


ITEM	PART NO.	QTY.	DESCRIPTION
1	GA21197	1	Return Line Filter
2	GA21295	1	Tank, 60 l
3	GD31439	1	Filter Gasket
4	G10176	1	Hex Jam Nut, 3/4"-16 Grade 2
5	G12003-25	4	Hex Head Cap Screw, M8-1,25 x 25
6	G12081	4	Flat Washer, M8
7	G2700-08	1	Bulkhead Tube Union, 3/4"-16 Male JIC
8	G3800-12-12	1	Adapter, 3/4"-14 BSP x 1 1/16"-12 JIC
9	G6500-08	1	Swivel Elbow, 90°, 3/4"-16 Male JIC To Female
10	G6500-12	1	Swivel Elbow, 90°, 1 1/16"-12 Male JIC To Female
11	GA25474	1	Filter

(110361)
(110360)



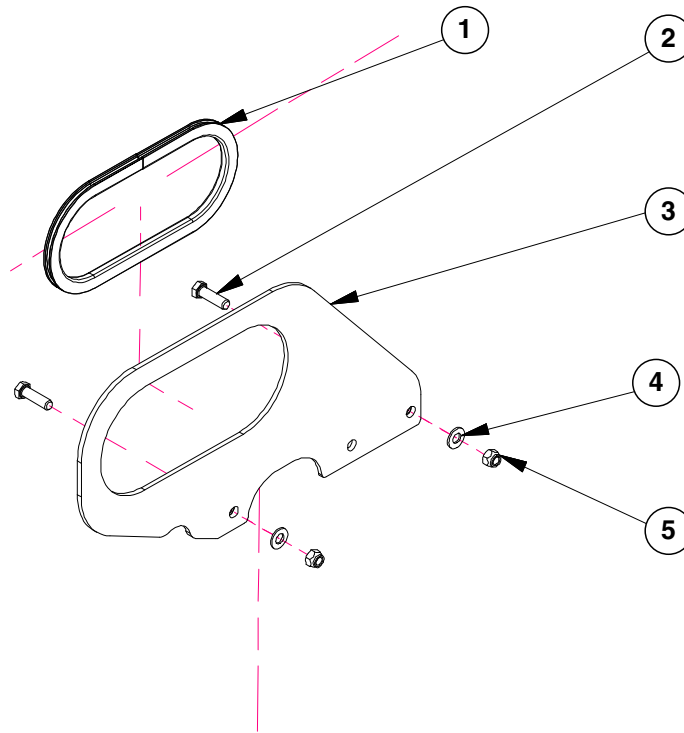
Outer Hose Holder



Inner Hose Holder

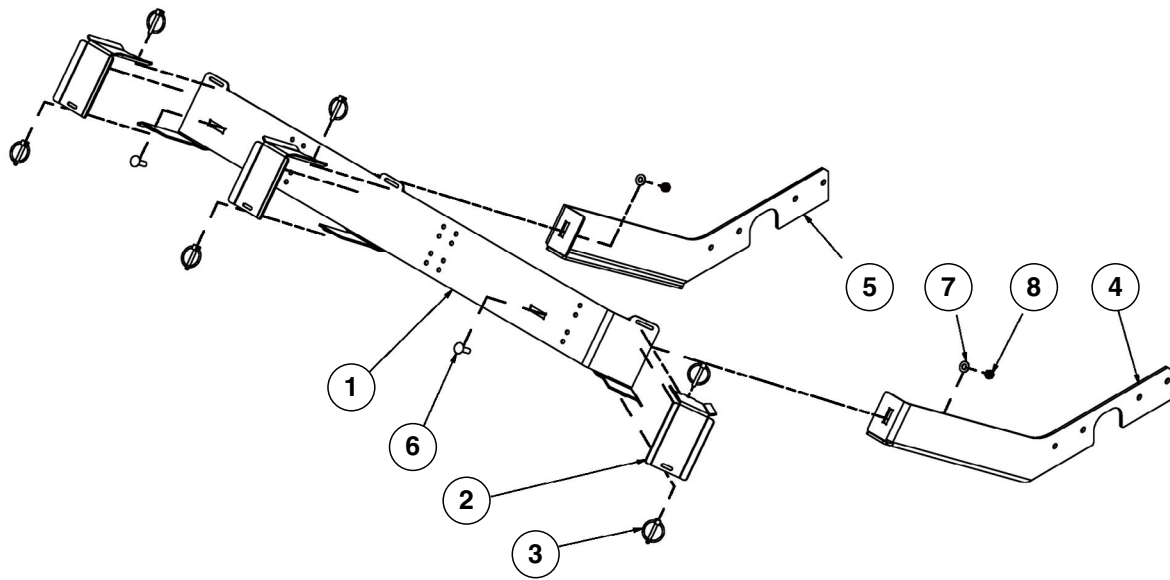
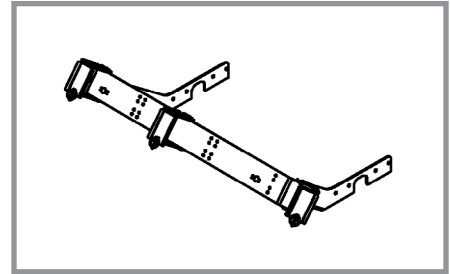
ITEM	PART NO.	QTY.	DESCRIPTION
1	GD2558	1	Lynch Pin, 1/4"
2	G11037001	1	Lid
3	G10107	2	Lock Nut, 5/8"-11
4	G11391	2	Flat Washer, 5/8"
5	G11036901	1	Outer Hose Holder
	G11036401	1	Inner Hose Holder
6	GD1114	1	U-Bolt, 7" x 7" x 5/8"-11

(110396)



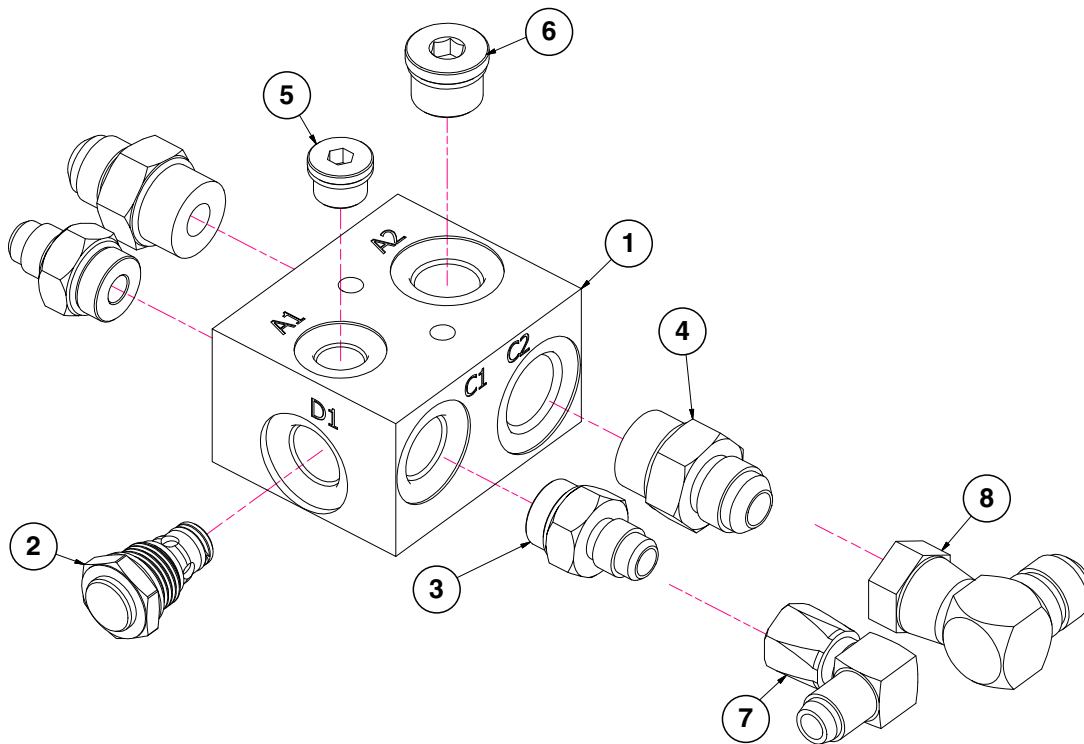
ITEM	PART NO.	QTY.	DESCRIPTION
1	G4425-01	1	Molding, 3/16" x 26"
2	G10004	2	Hex Head Cap Screw, 3/8"-16 x 1 1/4"
3	G11038201	1	Hose Holder, No Liquid
4	G11387	4	Flat Washer, 3/8"
5	G10108	2	Lock Nut, 3/8"-16

(110362)



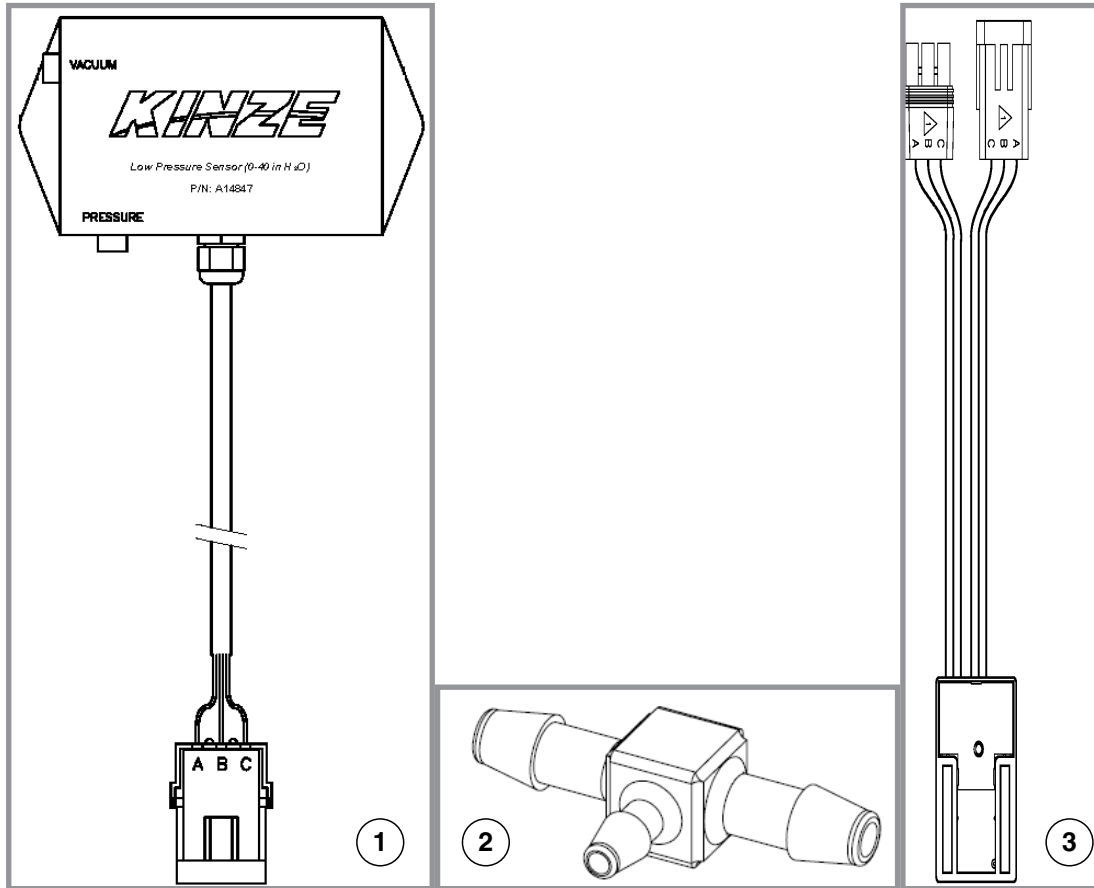
ITEM	PART NO.	QTY.	DESCRIPTION
1	G11037501	1	Long Hose Holder
2	G11037601	3	Long Hose Holder Lid
3	GD2558	6	Lynch Pin, 1/4"
4	G11037701	1	Long Hose Holder Leg, L.H.
5	G11037801	1	Long Hose Holder Leg, R.H.
6	G10599	2	Carriage Bolt, 3/8"-16 x 1 1/4"
7	G11387	2	Flat Washer, 3/8"
8	G10108	2	Lock Nut, 3/8"-16

(A26398)



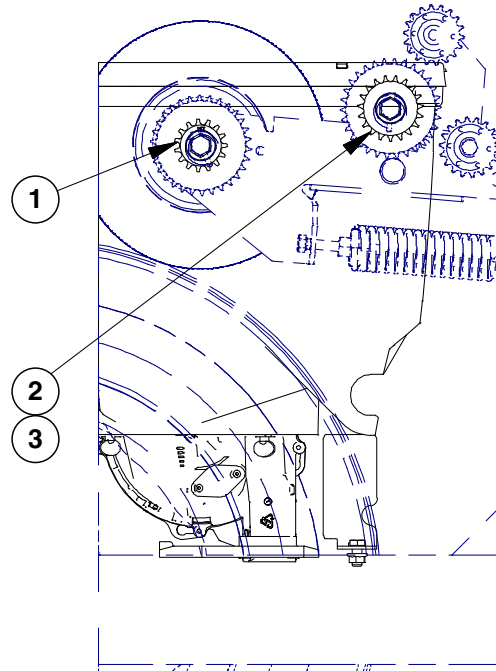
ITEM	PART NO.	QTY.	DESCRIPTION
1	GD33511	1	Valve Block
2	GA21067	1	Check Valve, No. 8
3	G6400-06-08 GR1037	2 -	Connector W/O-Ring, 9/16"-18 Male JIC To 3/4"-16 O-Ring O-Ring
4	G6400-08-10 GR1466	2 -	Connector W/O-Ring, 3/4"-16 Male JIC To 7/8"-14 O-Ring O-Ring
5	G6408-H06-O GR1045	1 -	Hex Socket Head Plug W/O-Ring, 9/16"-18 O-Ring O-Ring
6	G6408-H08-0	1	Hex Socket Head Plug W/O-Ring, 3/4"-16 O-Ring
7	G6500-06	1	Swivel Elbow, 90°, 9/16"-18 Male JIC To Female
8	G6500-08	1	Swivel Elbow, 90°, 3/4"-16 Male JIC To Female

(A14847)
(A12812)



ITEM	PART NO.	QTY.	DESCRIPTION
1	GA14847	1	Low Pressure Sensor (0-40 IN H ₂ O)
2	GD21278	1	Reducing Tee, 3/16" x 1/8" x 3/16"
3	GA12812	1	Adapter, Hall Effect
4	GD17151-20	1	Urethane Tube, 1/4" OD x .045W x 10'

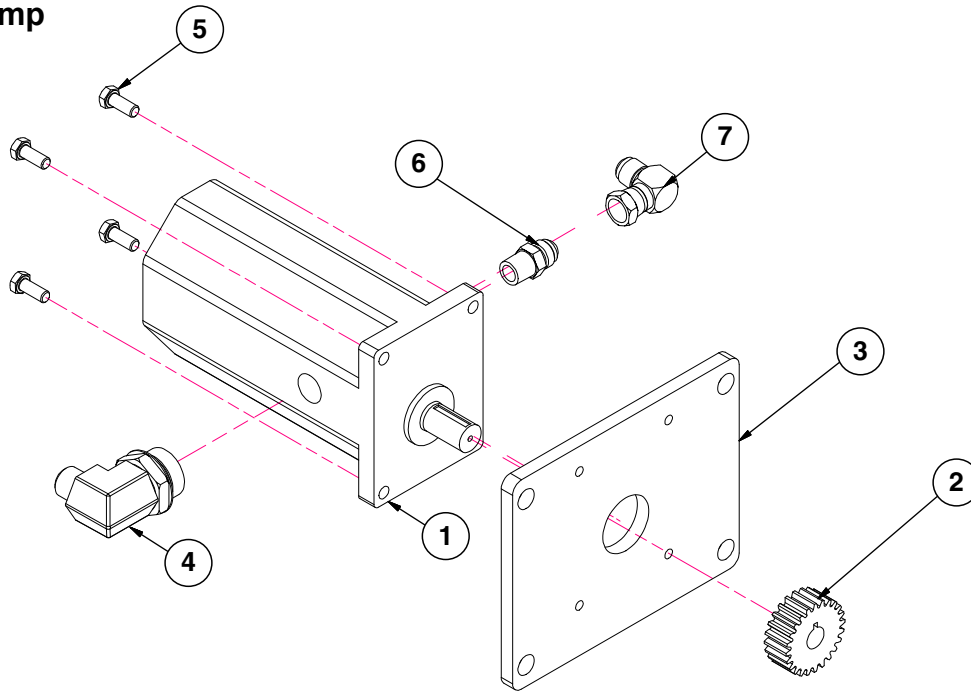
(110396)



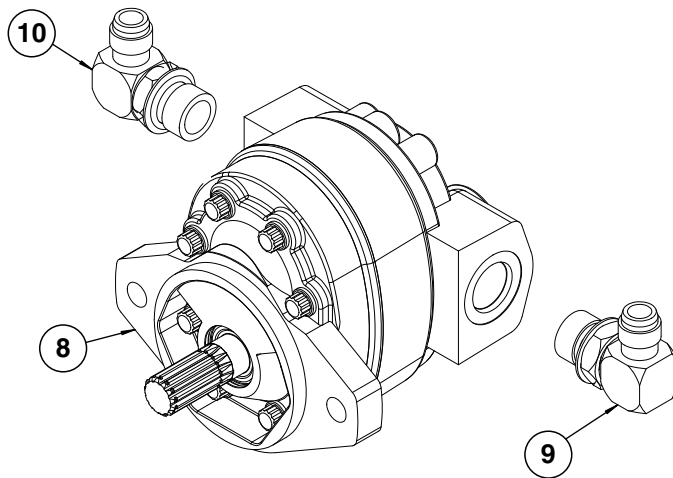
ITEM	PART NO.	QTY.	DESCRIPTION
1	GA5105	1	Sprocket, 15 Tooth
2	GA5107	1	Sprocket, 19 Tooth
3	G3310-91	1	Chain, No. 40, 91 Pitch Including Connector Link And Offset Link

(102096)

MTZ PTO Pump

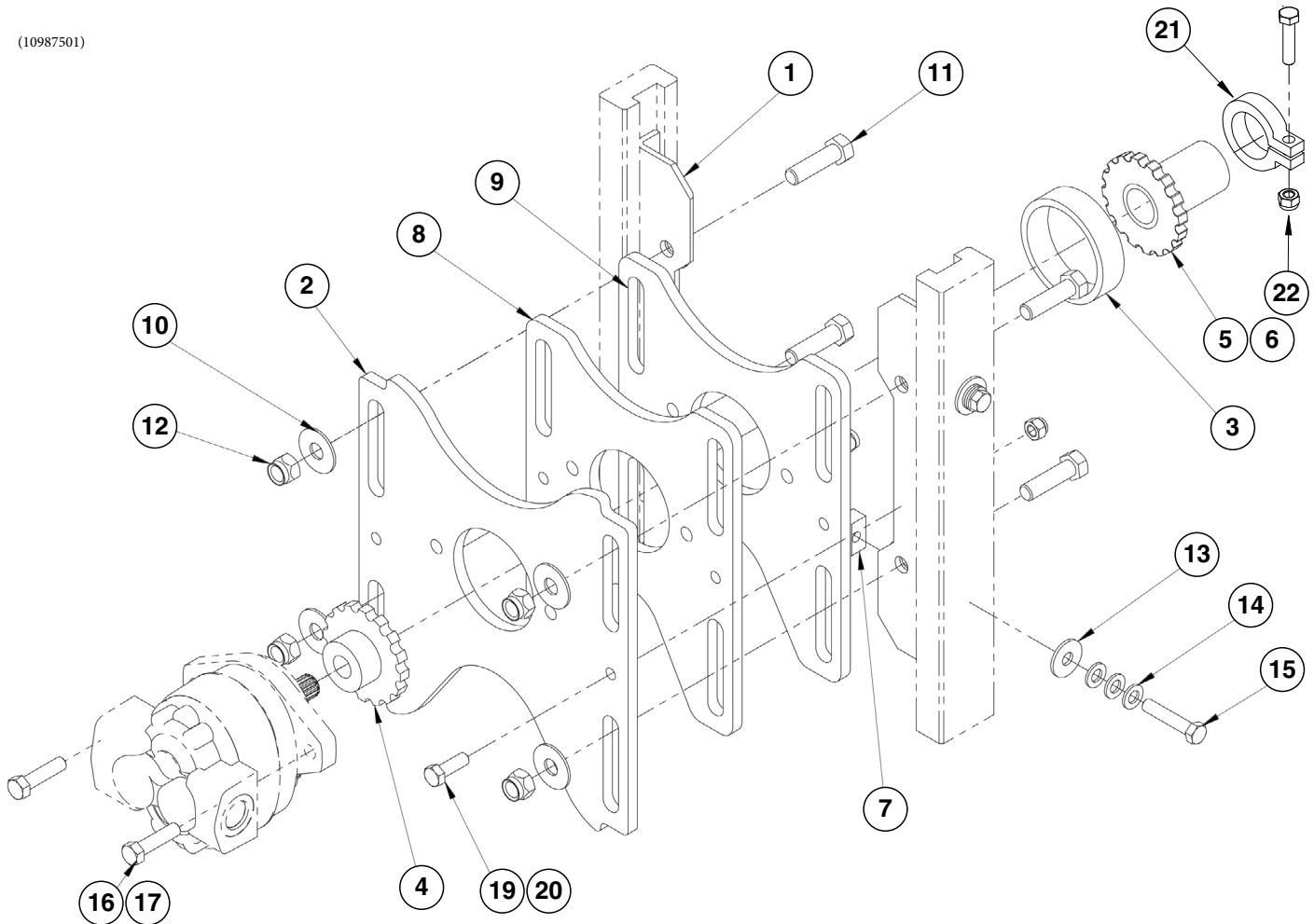


Universal PTO Pump

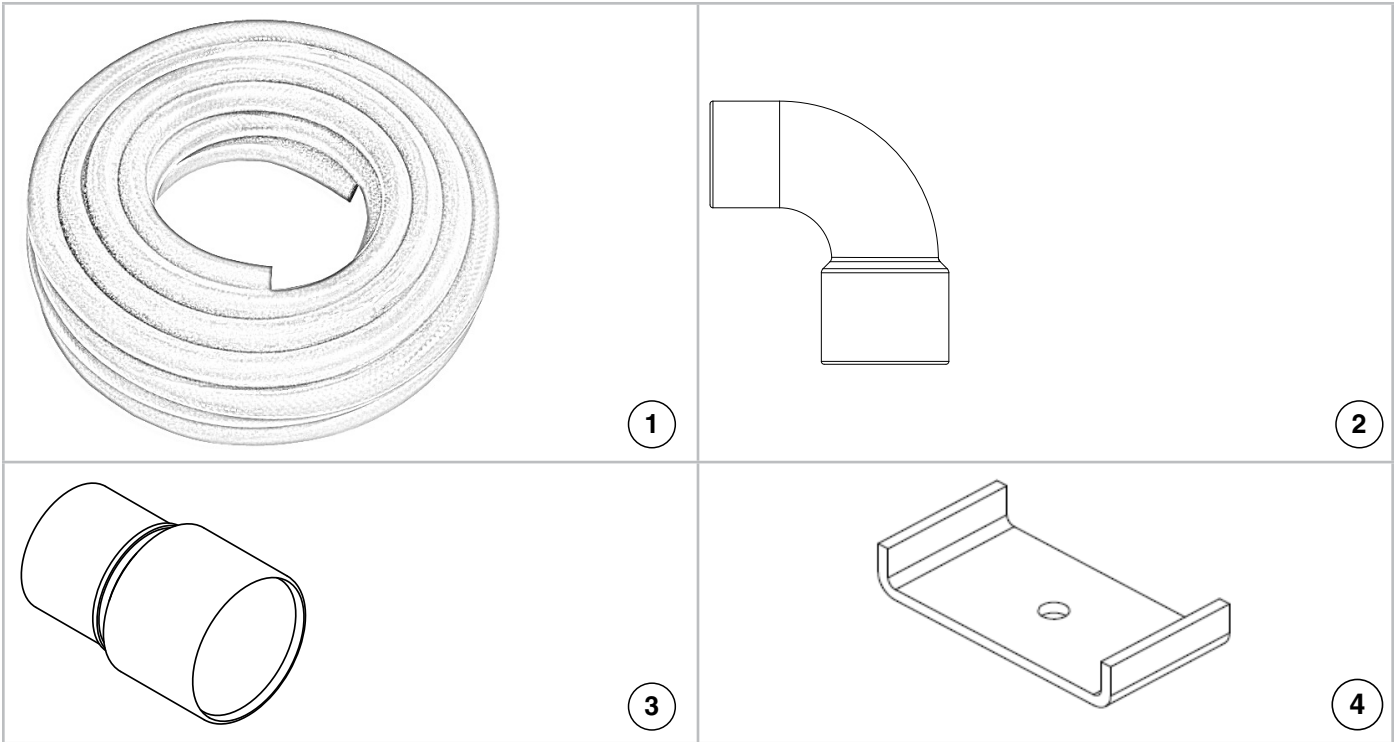


ITEM	PART NO.	QTY.	DESCRIPTION
1	GA21190	1	PTO Gear Pump, 56 CM3/REV
2	GD31435	1	PTO Gear Adapter
3	GD31436	1	PTO Mount Plate
4	G3801-16-16	1	90° Elbow, 1-5/16"-12 JIC to 1" BSP O-Ring
5	G12000-25	4	Hex Head Cap Screw, M10-1,5 x 25
6	G3800-10-12	1	Adapter, 3/4-14 BSP x 7/8-14 JIC
7	G6500-10	1	Swivel Elbow, 90°, 7/8"-14 Male JIC To Female
8	GA14446	1	PTO Pump, Generic
9	G6801-10-12	1	Elbow W/O-Ring, 90°, 7/8"-14 Male JIC To 1 1/16"-12 O-Ring
10	G6801-16-20	1	Elbow W/O-Ring, 90°, 1 5/16"-12 x 1 5/8" Female JIC To O-Ring

(10987501)



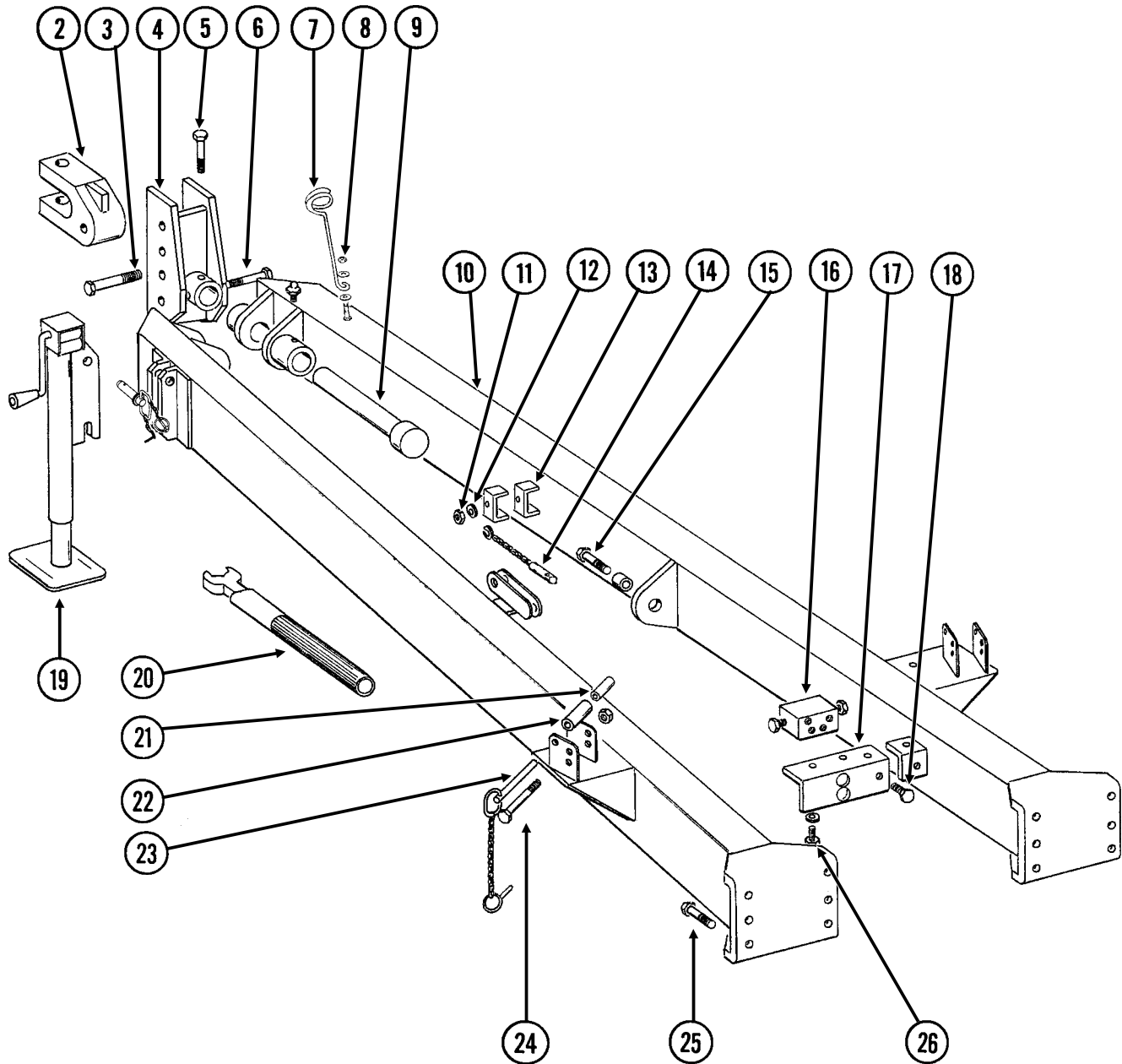
ITEM	PART NO.	QTY.	DESCRIPTION
1	G10985501	2	Rail Mount
2	G10985301	1	Pump Mount Plate, 39 cm
3	G10984801	1	Chain with Link
4	G10984701	1	Sprocket, 16 Tooth
5	G10985001	1	Long Sprocket, 16 Tooth, 1-3/4" x 20 Spline
6	G10984901	1	Long Sprocket, 16 Tooth, 1-3/8" x 21 Spline
7	G10985401	4	Rail Mount Nut
8	G10985101	1	Pump Mount Plate, 31 cm
9	G10985201	1	Pump Moun Plate, 33 cm
10	G10217	8	Washer, 5/8" USS
11	G10006	4	Hex Head Cap Screw, 5/8"-11 x 2 1/4"
12	G10107	4	Lock Nut, 5/8"-11
13	G10984201	4	Flat Washer, DIN 9021
14	G12039	12	Flat Washer, M12
15	G12002-60	4	Hex Head Cap Screw, M12-1,75 x 60
16	G10016	2	Hex Head Cap Screw, 1/2"-13 x 2"
17	G10111	2	Lock Nut, 1/2"-13
18	G10984101	1	LM 47 Long-Life Grease
19	G12015	2	Hex Lock Nut, M12-1,75
20	G12002-35	2	Hex Head Cap Screw, M12-1,75 x 35
21	G11114501	1	Collar, 1-3/8" (used with G10984901)
	G11114601	1	Collar, 1-3/4" (used with G10985001)
22	G12000-40	1	Hex Head Cap Screw, M10-1,5 x 40
	G12164	1	Hex Lock Nut, M10-1.5



ITEM	PART NO.	QTY.	DESCRIPTION
1	GD36495-600	-	Vacuum Hose, 1-1/2" x 600"
2	GB1313	-	90° Elbow
3	GD31424	-	Screw Cuff, 2"
4	GD8188	-	Hose Clamp, 3" x 5-3/8"
5	GD8189	-	Rubber Strip, 3/8"
6	G11147	-	Vinyl Cap, 2" x 1-1/2", Black

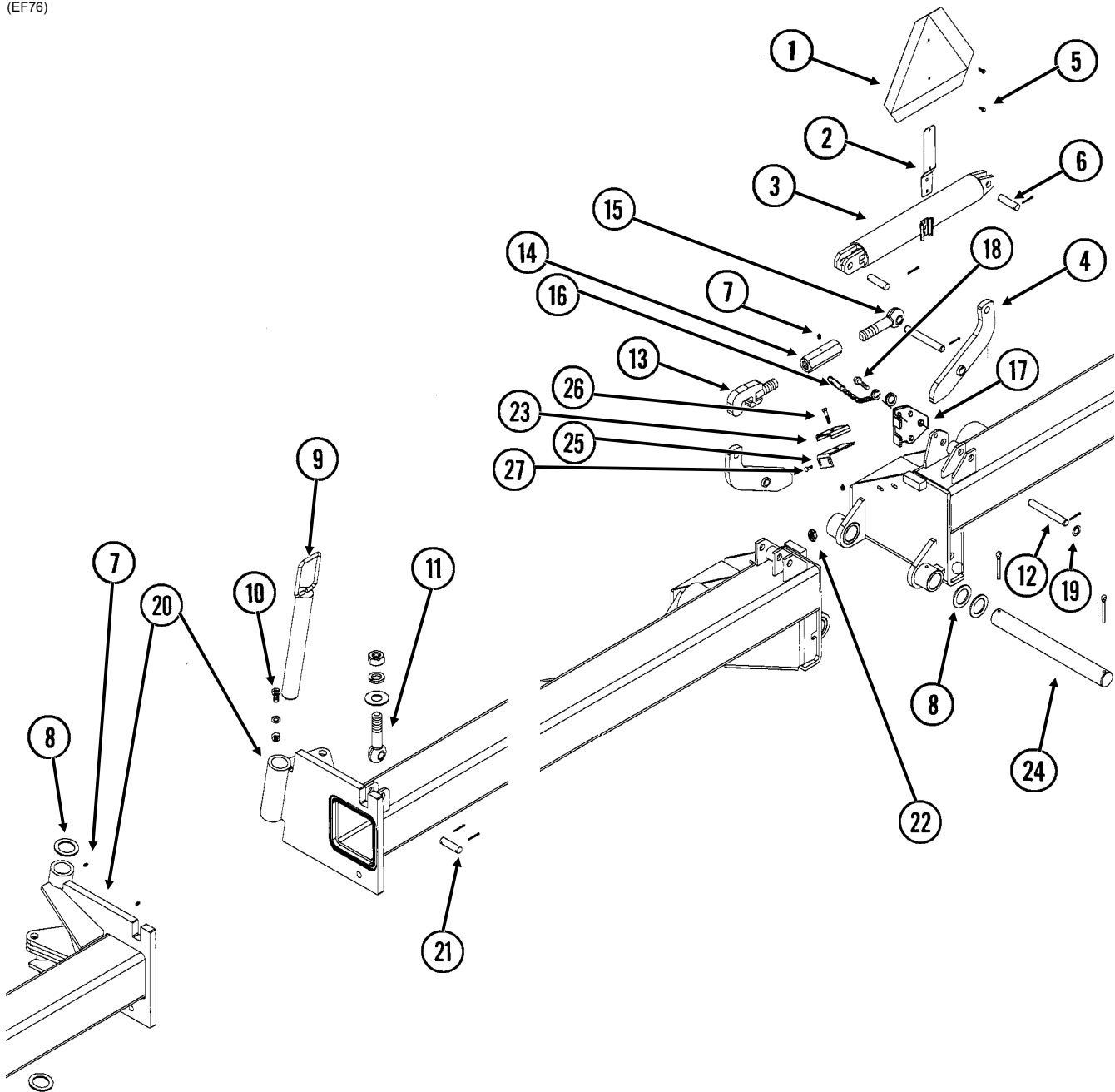
This page left blank intentionally.

(WGN47a/EF32c/A13595)



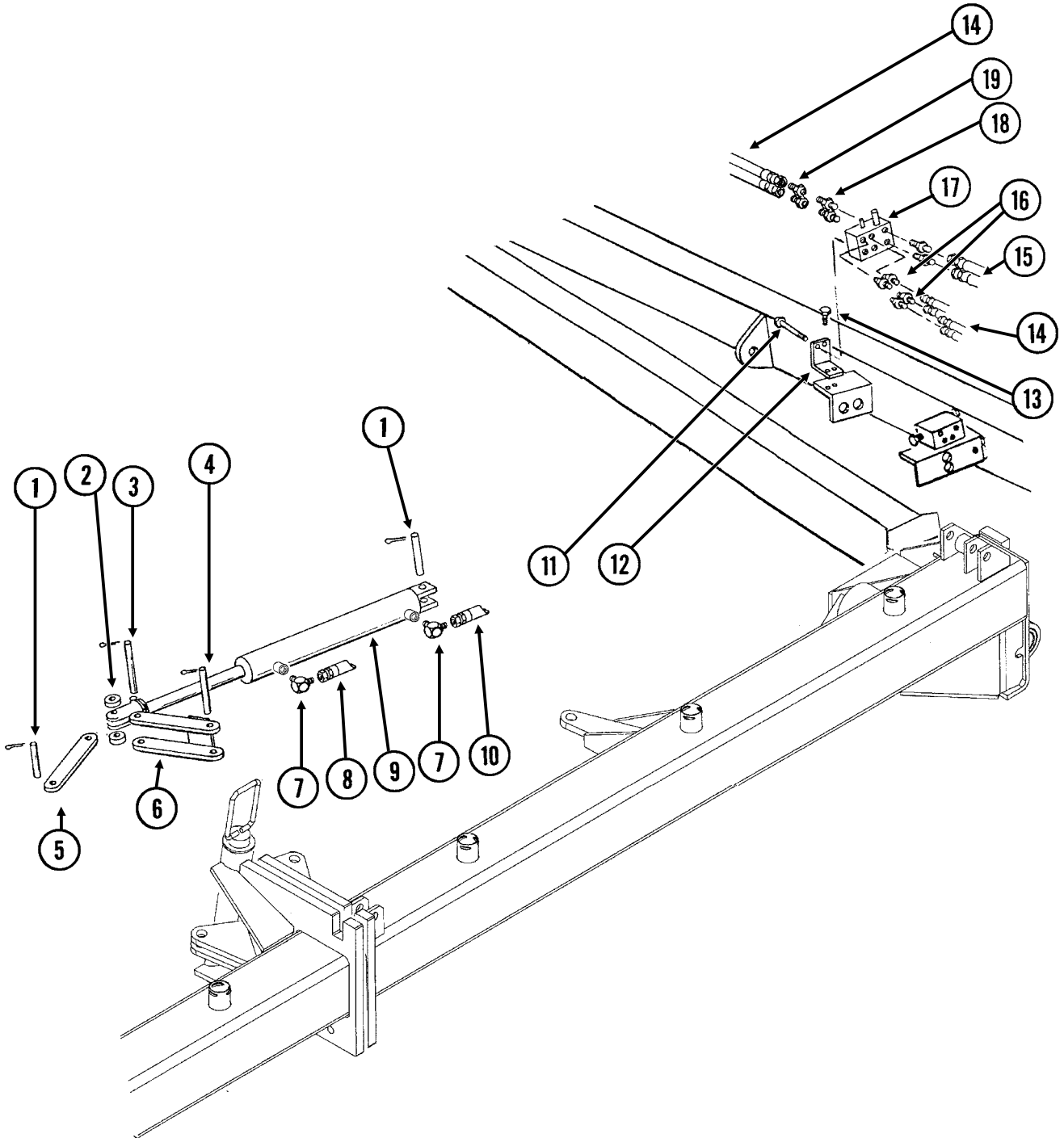
ITEM	PART NO.	QTY.	DESCRIPTION
1	---	-	---
2	GB0156	1	Clevis
3	G10169	1	Hex Head Cap Screw, 1¼"-7 x 6"
	G10157	1	Lock Nut, 1¼"-7
4	GA8097	1	Hitch Cap
5	G10036	1	Hex Head Cap Screw, ⅝"-11 x 4"
	G10230	1	Lock Washer, ⅝"
	G10104	1	Hex Nut, ⅝"-11
6	G10011	1	Hex Head Cap Screw, ⅝"-11 x 5½"
	G10230	1	Lock Washer, ⅝"
	G10104	1	Hex Nut, ⅝"-11
7	GD8260	1	Hose Holder
8	G11391	2	Flat Washer, ⅝" SAE
	G10107	1	Lock Nut, ⅝"-11
9	GA5755	1	Pin, 2⅝" x 14"
10	*A8048	1	Hitch W/Grease Fittings (Includes Items 4-7 And 11) (Non-Stock Item)
	G10641	-	Grease Fitting, ⅛" NPT (Included W/A8048)
11	G10108	3	Lock Nut, ⅜"-16
12	G11387	-	Flat Washer, ⅜" SAE
13	GD5875	6	Hose Clamp, ⅞" x 2½" x 2"
14	GA8318	1	Detent Pin W/Chain
15	G10028	1	Hex Head Cap Screw, ¾"-10 x 3"
	GB0169	1	Bushing
	G10112	1	Lock Nut, ¾"-10
16	---	-	See "Row Marker Sequencing/Flow Control Valve" on page P85
17	GD7976	1	Bracket
18	G10019	2	Hex Head Cap Screw, ⅝"-18 x 1"
	G10232	2	Lock Washer, ⅝"
	G10106	2	Hex Nut, ⅝"-18
19	GA13986	1	Jack Assembly Complete
	GA4995	-	Detent Pin Assembly
	GR0516	-	Crank Assembly
	GR0515	-	Bevel Gear Set, Includes: (2) Bevel Gears, (1) Gear Pin, (1) Groove Pin
20	GA6798	1	Wrench
21	GD3180-23	-	Sleeve, ⅝" I.D. x ⅞" O.D. x 3⅜" Long
22	GD2734-13	-	Sleeve, 1¼" O.D. x 3⅜" Long
23	GA8312	-	Pin W/Lynch Pin, 5 ½"
24	G10011	-	Hex Head Cap Screw, ⅝"-11 x 5½"
	G10107	2	Lock Nut, ⅝"-11
25	G10028	12	Hex Head Cap Screw, ¾"-10 x 3"
	G10231	12	Lock Washer, ¾"
	G10105	12	Hex Nut, ¾"-10
26	G10001	2	Hex Head Cap Screw, ⅜"-16 x 1"
	G11387	2	Flat Washer, ⅜" SAE

(EF76)



ITEM	PART NO.	QTY.	DESCRIPTION
1	---	-	See "SMV Sign" on page P118
2	GD2200	1	Spade
3	GA7513	1	Spring Canister W/Mounting Hardware (Includes Item 3 And 6)
4	GA6055	2	Arm
5	G10023	2	Hex Head Cap Screw, ¼"-20 x ¾"
	G10110	2	Lock Nut, ¼"-20, Grade B
6	GD3311	2	Pin, ⅞" x 3⅞"
	G10457	4	Cotter Pin, ⅝ ₃₂ " x 1½"
7	G10640	4	Grease Fitting, ¼"-28
8	G10404	4	Machine Bushing, 3⅞" x 2⅞" x ⅜"
9	GA8033	2	Pin
10	G10007	2	Hex Head Cap Screw, ⅝"-11 x 1½"
	G10230	2	Lock Washer, ⅝"
	G10104	2	Hex Nut, ⅝"-11
11	GD3373	2	Eyebolt
	G11396	4	Flat Washer, 1¼"
	G10236	2	Lock Washer, 1¼"
	GD9688	2	Special Nut, 1¼"-7
12	GD11298	2	Pin, ⅞" x 6⅞"
	G10457	4	Cotter Pin, ⅝ ₃₂ " x 1½"
13	GA8335	1	Hook
14	GD7972	1	Turnbuckle
15	GD3373	1	Eyebolt
16	GA7022	1	Detent Pin W/Chain
17	GD11300	1	Lockup
18	G10017	1	Hex Head Cap Screw, ½"-13 x 1½"
	G10071	1	Serrated Flange Nut, ½"-13
19	G10235	-	Machine Bushing, ⅞", 14 Gauge
20	*A24705	-	Frame, 351½", (Includes Items 7-10) (Non-Stock Item) (Mechanical)
21	GD3311	2	Pin, ⅞" x 3⅞"
	G10457	4	Cotter Pin, ⅝ ₃₂ " x 1½"
22	G10108	2	Lock Nut, ⅜"-16
23	GD14534	-	Hose Clamp, ¾" x 4" x 4½"
24	GD7948	1	Shaft, 2⅞" x 20"
	G10461	2	Cotter Pin, ⅜" x 3"
25	GD17046	1	Mount
26	G10581	1	Hex Head Cap Screw, ½"-13 x 2¼"
	G10111	1	Lock Nut, ½"-13
27	G10599	2	Carriage Bolt, ⅜"-16 x 1¼"
	G10622	2	Serrated Flange Nut, ⅜"-16

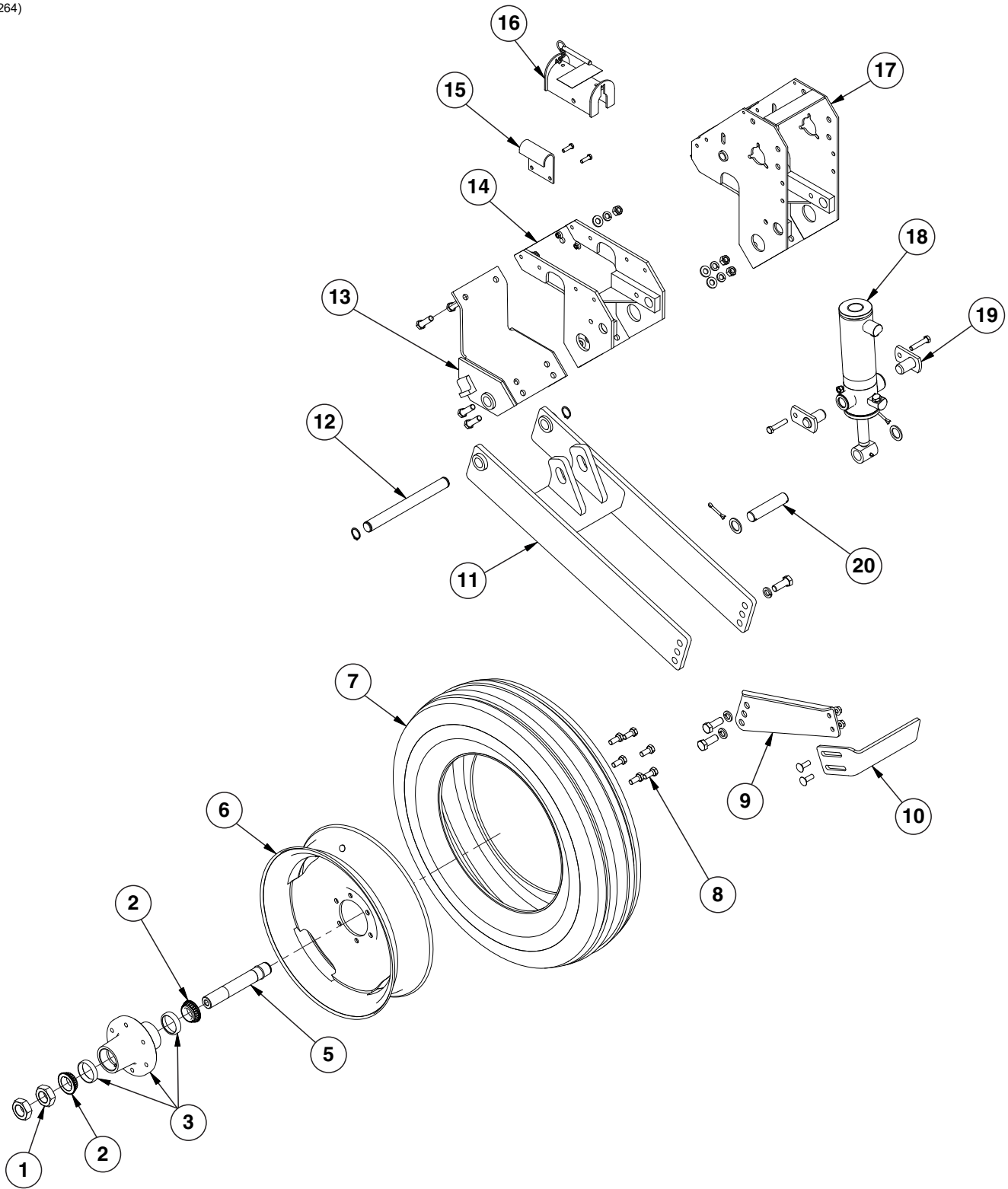
(EF76a)



ITEM	PART NO.	QTY.	DESCRIPTION
1	GD9762 G10463	4 8	Pin, 1" x 3½" Cotter Pin, ¼" x 1½"
2	GD5900-12	4	Sleeve, ⅜"
3	GD9591 G10463	2 8	Pin, 1" x 5¾" Cotter Pin, ¼" x 1½"
4	GD11177 G10463	2 8	Pin, 1" x 7¼" Cotter Pin, ¼" x 1½"
5	GD9589	2	Link
6	GA6800	2	Link
7	G6801-06-08 GR1037	4 -	Elbow W/O-Ring, 90°, ⅝"-18 Male JIC To ¾"-16 O-Ring O-Ring
8	*A1168	2	Hose Assembly, ¼" x 120"
9	---	-	See "Hydraulic Wing Fold Cylinder" on page P84
10	*A1106	2	Hose Assembly, ¼" x 130"
11	G10580 G10227 G10103	2 2 2	Hex Head Cap Screw, ¼"-20 x 3" Lock Washer, ¼" Hex Nut, ¼"-20
12	GD9699	1	Mounting Angle
13	G10064 G10227 G10103	2 2 2	Hex Head Cap Screw, ¼"-20 x 1" Lock Washer, ¼" Hex Nut, ¼"-20
14	---	-	See "Hydraulic System" on page P86
15	*A3180	2	Hose Assembly, ⅜" x 25"
16	G6400-06 GR1045	4 -	Connector W/O-Ring, ⅝"-18 Male JIC To O-Ring O-Ring
17	---	-	See "Hydraulic Wing Fold Selector Valve" on page P86
18	G6400-08-06 GR1045	4 -	Connector W/O-Ring, ¾"-16 Male JIC To ⅝"-18 O-Ring O-Ring
19	G2406-08-06	2	Reducer, ¾"-16 Female JIC To ⅝"-18 Male JIC

* Hydraulic hose is not stocked by Kinze Repair Parts.

(IP1264)

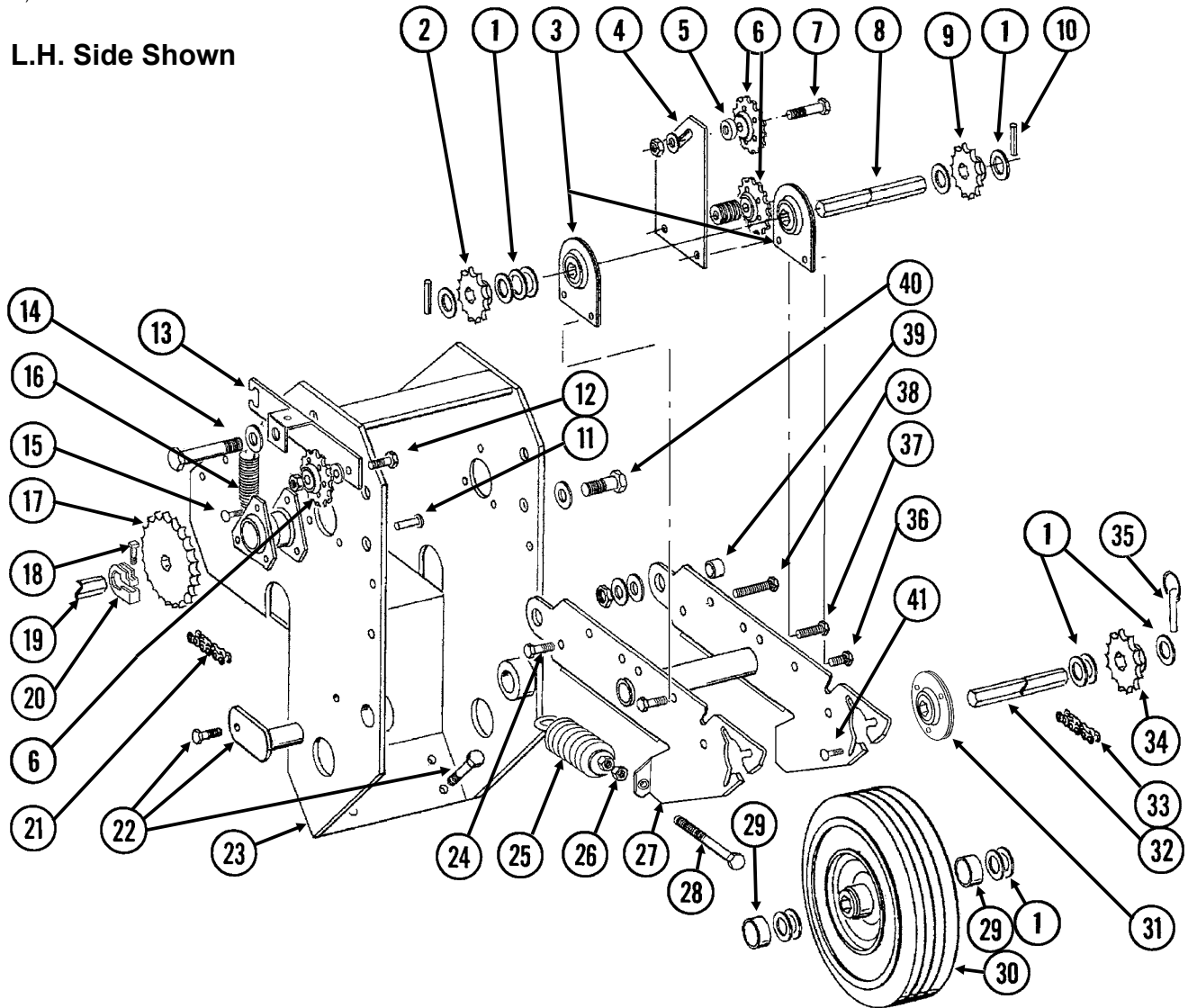


ITEM	PART NO.	QTY. (Per Assy.)	DESCRIPTION
1	G11081	2	Hex Jam Nut, 1½"-12, Grade 2
2	GA24825	2	Bearing
3	GA24826	2	Hub W/Cups, 6 Bolt
4	---	-	---
5	GA4376	1	Spindle W/Round External Retaining Ring, 10"
	GD11490	1	Round External Retaining Ring (Included W/GA4376)
6	GA14413	1	Rim, 5.50" x 20"
	GA7434	1	Valve Stem
7	GD13401	1	Tire, 7.50" x 20", 8 Ply Tubeless W/O Center Rib (Specify Brand*)
8	GR0270	6	Lug Bolt, ¾"-18
9	G10605101	1	Mud Scraper Holder
	G10026	3	Hex Head Cap Screw, ¾"-10 x 2"
	G10231	3	Lock Washer, ¾"
	G11314	1	Serrated Flange Nut, ¾"-10
10	GD34178	1	Slotted Scrapper
	G10636	2	Carriage Bolt, ½"-13 x 1½"
	G10071	2	Serrated Flange Nut, ½"-13
11	GA14349	1	Wheel Module
12	GD20461	1	Pin, 1¼" x 13"
	G11400	2	Retaining Ring, 1¼"
13	GA14348	1	Lower Half Clamp
	G10006	6	Hex Head Cap Screw, ⅝"-11 x 2¼"
	G11391	6	Flat Washer, ⅝", SAE
	G10230	6	Lock Washer, ⅝"
	G10104	6	Hex Nut, ⅝"-11
14	GA5122	1	Wheel Tower Clamp
	G10004	2	Hex Head Cap Screw, ⅜"-16 x 1¼"
	G11091	2	Serrated Flange Nut, ⅜"-16
15	GD7944	1	Lockup Mount
16	GA9870	1	Lockup W/Pin
17	GA8041	1	See "Contact Wheel and Arm Assembly" on page P66
18	---	1	See "Master Lift Cylinder" on page P80 See "Slave Lift Cylinder" on page P81 See "Assist Cylinder" on page P82
19	GA5121	2	Pin, 2⅛"
	G10053	2	Hex Head Cap Screw, ½"-13 x 2½"
	G10111	2	Lock Nut, ½"-13
20	GD5841	1	Pin, 1¼" x 5⅝"
	G10460	2	Cotter Pin, ¼" x 2"
	G10159	4	Machine Bushing, 1¼", 10 Gauge (As Required)
A	GA24828	1	Hub and Spindle Assembly (Items 1-5)
B	GA14412	1	Tire and Rim Assembly (Items 6 and 7)

*Specific brand requests will be supplied only as available from current Kinze Repair Parts stock. If a specific brand requested is not in stock, the brand available will be supplied.

(EF38hh)

L.H. Side Shown



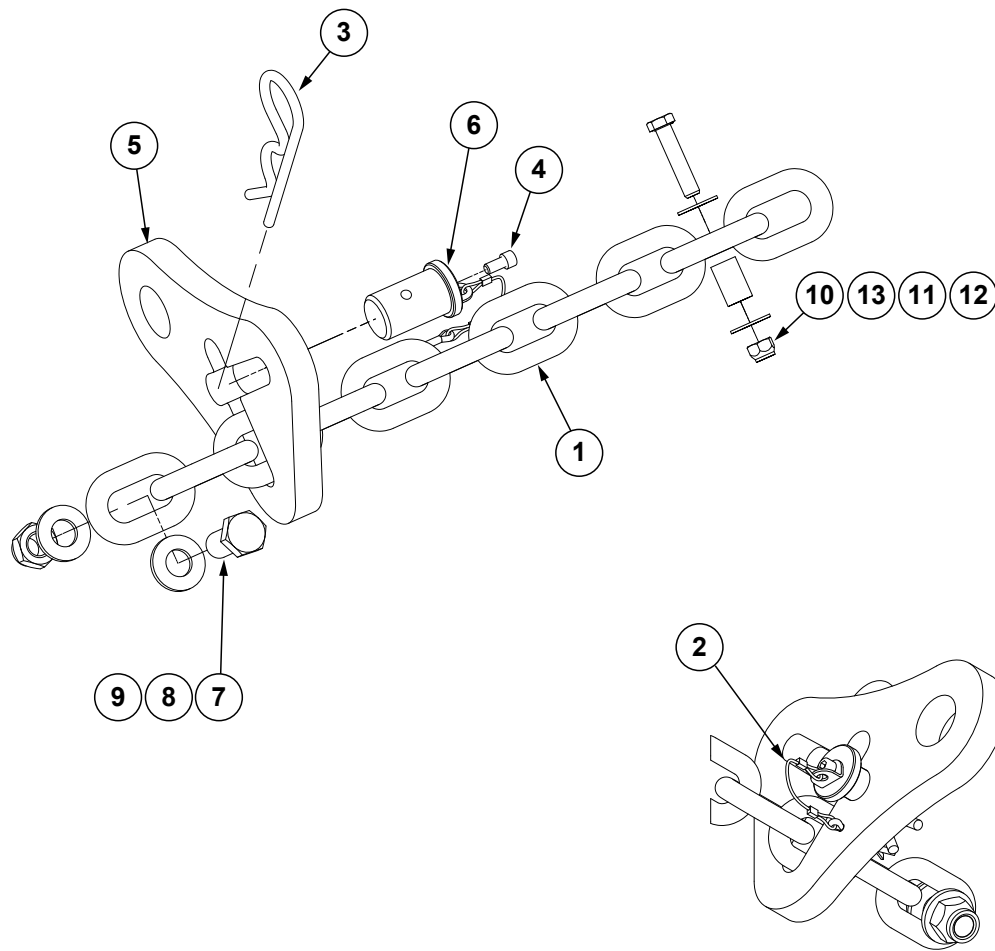
ITEM	PART NO.	QTY. (Per Assy.)	DESCRIPTION
1	G10233	-	Machine Bushing, 1", 10 Gauge
2	GA5105	1	Sprocket, 15 Tooth
3	G2100-03	2	Bearing, 7/8" Hex Bore
	G3400-01	4	Flangette
	GD37039	2	Bearing Plate
	G10303	4	Carriage Bolt, 5/16"-18 x 1"
	G10109	4	Lock Nut, 5/16"-18
	G11386	6	Flat Washer, 5/16" SAE
	G10338	2	Carriage Bolt, 5/16"-18 x 1 1/4"
4	GD37038	1	Bar Chain Tightener Plate
5	GD11158	1	Spacer, 3/4" O.D. x 9/16" Long (If Applicable)
	GD9229	2	Spacer, 1/4" O.D. x 1/2" Long (If Applicable)
6	GA7154	3	Sprocket W/Bearing, 18 Tooth
7	G10397	1	Hex Head Cap Screw, 1/2"-13 x 2 3/4"
	G10168	1	Machine Bushing, 1/2", 7 Gauge
	G10128	-	Machine Bushing, 1/2", 14 Gauge (As Required)
	G10111	1	Lock Nut, 1/2"-13
8	GD6825-12.75	1	Hex Shaft, 7/8" x 12 3/4" (2 Holes)

ITEM	PART NO.	QTY. (Per Assy.)	DESCRIPTION
9	GA5114	1	Sprocket, 30 Tooth (Mechanical)
10	G10602	2	Spring Pin, 1/4" x 1 1/2"
11	G10478	1	Clevis Pin, 5/16" x 1"
	G10409	1	Retaining Ring, 5/16"
12	G10017	1	Hex Head Cap Screw, 1/2"-13 x 1 1/2"
	G10128	1	Machine Bushing, 1/2", 14 Gauge
	G10501	1	Hex Jam Nut, 1/2"-13, Grade 2
13	GA9553	1	Idler W/Sprocket And Hardware, L.H.
	GA9554	1	Idler W/Sprocket And Hardware, R.H. (Shown)
	GA7154	-	Sprocket W/Bearing, 18 Tooth (Included W/GA9553 and GA9554)
	G10017	-	Hex Head Cap Screw, 1/2"-13 x 1 1/2" (Included W/GA9553 and GA9554)
	G10128	-	Machine Bushing, 1/2", 14 Gauge (Included W/GA9553 and GA9554)
	G10501	-	Hex Jam Nut, 1/2"-13, Grade 2 (Included W/GA9553 and GA9554)
14	G10318	1	Hex Head Cap Screw, 5/8"-11 x 4 1/2"
	G10036	1	Hex Head Cap Screw, 5/8"-11 x 4"
	G11391	1	Flat Washer, 5/8" SAE
	G10107	1	Lock Nut, 5/8"-11
	G10104	1	Hex Nut, 5/8"-11
15	G10303	-	Carriage Bolt, 5/16"-18 x 1"
	G10620	-	Hex Nut, 5/16"-18
16	GD5857	1	Spring
17	GA5202	1	Sprocket, 34 Tooth See "Point Row Clutch" on page P68 (If Applicable)
18	G10130	1	Square Head Machine Bolt, 5/16"-18 x 1 3/4"
	G10923	1	Flange Nut, 5/16"-18, No Serration
19	---	-	See "Seed Rate Transmission Assembly and Driveline" on page P72
20	GD11045	1	Lock Clamp
21	G3310-74	1	Chain, No. 40, 74 Pitch Including Connector Link
	GR0912	-	Connector Link, No. 40
22	---	-	See "Transport and Ground Drive Wheel Assembly" on page P62
23	GA8041	1	Wheel Tower
24	G10055	2	Hex Head Cap Screw, 5/8"-11 x 1 1/4" (Stop Bolt)
	G10107	2	Lock Nut, 5/8"-11
25	GA2068	2	Spring W/Plug
26	G10501	2	Hex Jam Nut, 1/2"-13, Grade 2
27	GA8042	1	Arm
28	G10890	2	Hex Head Adjusting Bolt, 1/2"-13 x 4", Grade 2
29	GD11157	2	Spacer, 1 1/2" O.D. x 5/8" Long
30	GA5090	1	Tire And Rim Assembly (Specify Brand*)
	GD5753	-	Tire, 4.10" x 6" (Specify Brand*) (Included W/GA5090)
	GD5752	-	Inner Tube (Included W/GA5090)
	GA5089	-	Rim, 3.25" x 6" (Sub GA5090) (Included W/GA5090)
31	GA9846	-	Flanged Bearing, 7/8" Hex Bore
32	GD6825-11.625	1	Hex Shaft, 7/8" x 11 5/8" (2 Holes)
33	G3310-102	1	Chain, No. 40, 102 Pitch including Connector Link (Mechanical)
	G3310-104	-	Chain, No. 40, 104 Pitch Including Connector Link, Used With 38 Tooth Sprocket
	GR0912	-	Connector Link, No. 40
34	GA5114	1	Sprocket, 30 Tooth (Mechanical)
35	GD2558	1	Lynch Pin, 1/4"
36	G10004	3	Hex Head Cap Screw, 3/8"-16 x 1 1/4"
	G11091	3	Serrated Flange Nut, 3/8"-16
37	G10004	1	Hex Head Cap Screw, 3/8"-16 x 1 1/4"
	G10101	1	Hex Nut, 3/8"-16
38	G10053	1	Hex Head Cap Screw, 1/2"-13 x 2 1/2"
	G10128	-	Machine Bushing, 1/2", 14 Gauge (As Required)
	G10111	1	Lock Nut, 1/2"-13
39	GB0218	2	Bushing, 2 1/32" I.D. x 7/8" O.D. x 1 9/32" Long

ITEM	PART NO.	QTY. (Per Assy.)	DESCRIPTION
40	G10751	2	Hex Head Cap Screw, 5/8"-18 x 1 3/4"
	G10235	6	Machine Bushing, 7/8", 14 Gauge
	G11391	2	Flat Washer, 5/8" SAE
	G10412	2	Lock Nut, 5/8"-18
41	G10303	6	Carriage Bolt, 5/16"-18 x 1"
	G10620	6	Serrated Flange Nut, 5/16"-18
A	G1K269	-	Lock Clamp Kit (Items 18 And 20)

***Specific brand requests will be supplied only as available from current Kinze Repair Parts stock. If a specific brand requested is not in stock, the brand available will be supplied. Different brand tires may have different diameters. Change in tire brands may affect rates. Field checks are recommended after any change in contact tires.**

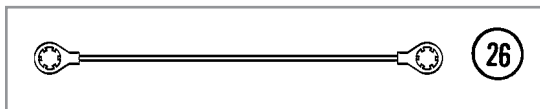
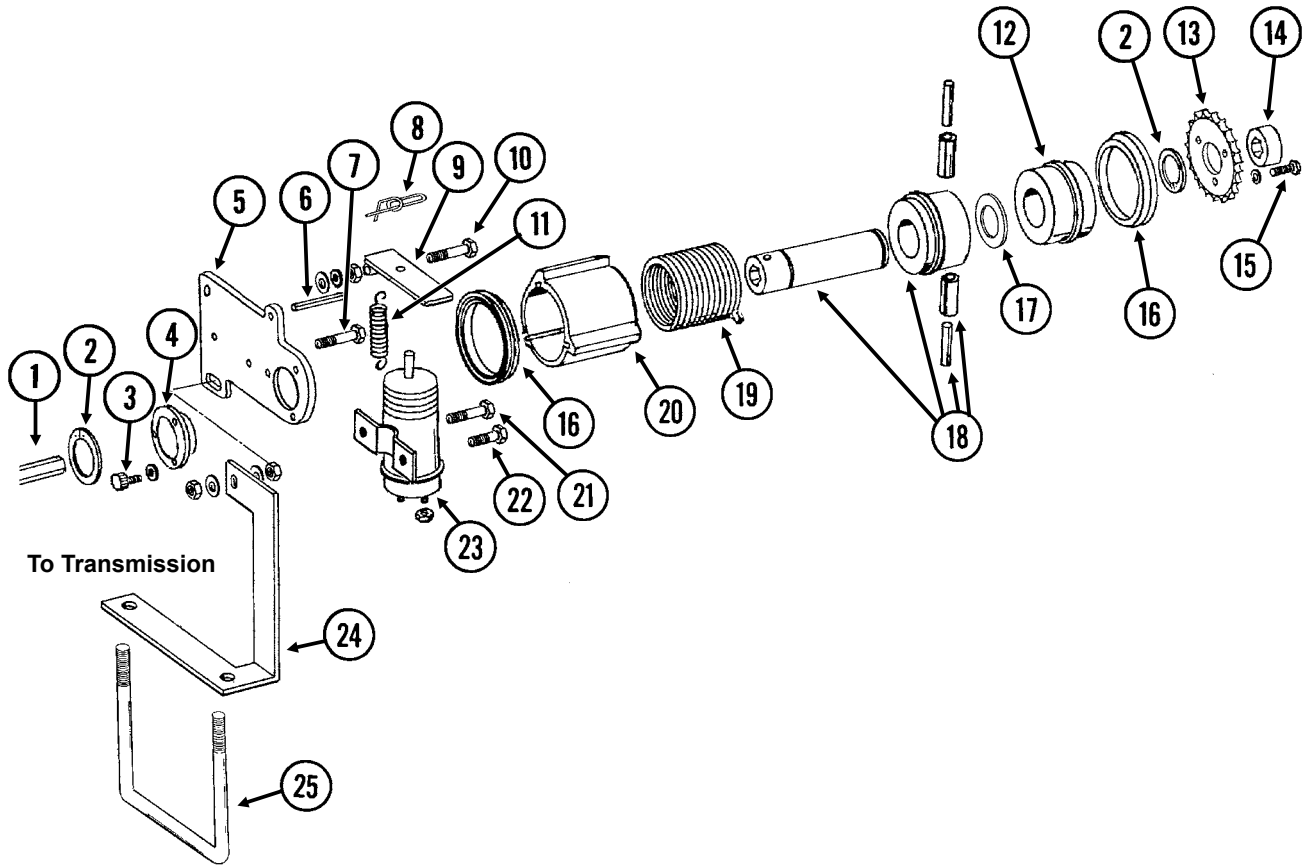
(A25017)



ITEM	PART NO.	QTY.	DESCRIPTION
1	G3324-01	1	Safety Chain, 13MM Grade 70, 97½"
2	GD35339	1	Looped Tether W/Tabs and Cotter Pin
3	G10671	1	Hairpin Cotter, 3/16" x 3¼"
4	G11874	1	Hex Socket Head Cap Screw, ¼"-20 x ½"
5	GD35127	1	Single Chain Latch
6	GD35340	1	Chain Latch Pin
7	G10007	1	Hex Head Cap Screw, 5/8"-11 x 1½"
8	G11391	2	Flat Washer, 5/8" SAE
9	G10107	1	Lock Nut, 5/8"-11
10	G10108	1	Lock Nut, 3/8"-16
11	GD8893-07	1	Sleeve, 1" Long
12	G10047	1	Hex Head Cap Screw, 3/8"-16 x 1¾"
13	G10210	2	Washer, 3/8" USS
A	G9948X	-	3/8" Transport Safety Chain Package (Items 1-13)

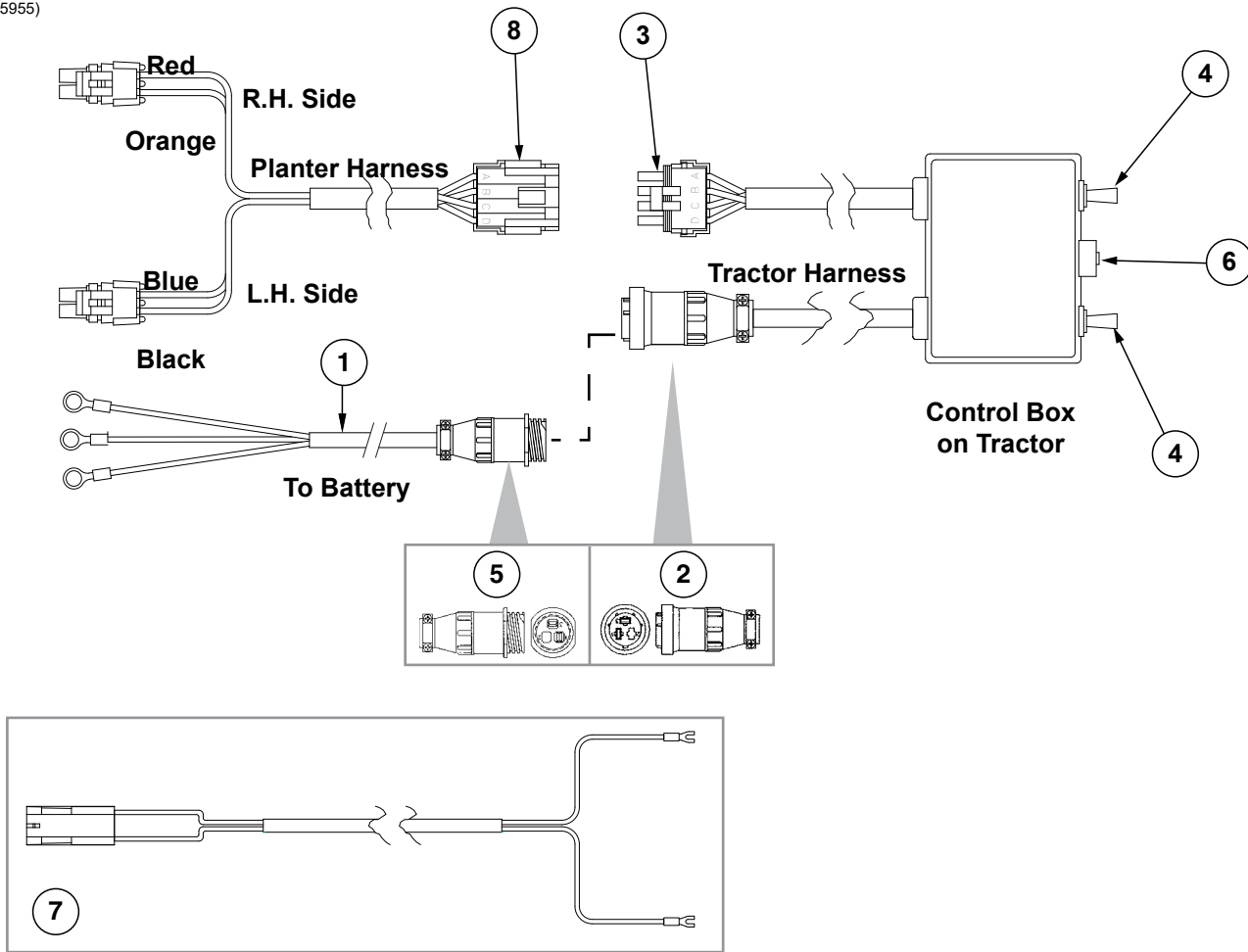
(EF40f)

L.H. Side Shown



ITEM	PART NO.	QTY. (Per Assy.)	DESCRIPTION
1	---	-	See "Seed Rate Transmission Assembly and Driveline" on page P72
2	G10496	2	External Inverted Snap Ring, 1½"
3	G10253	3	Hex Socket Head Screw, No. 10-32 x ½"
	G10257	3	Lock Washer, No. 10
4	GD9667	1	Bushing
5	GD10103	1	Mounting Plate
6	G10859	1	Spring Pin, ⅜" x 2¼"
7	G10325	1	Hex Head Cap Screw, ⅜"-16 x 2¾"
	G11387	2	Flat Washer, ⅜" SAE
	G10101	2	Hex Nut, ⅜"-16
8	GD11120	1	Rue Ring Cotter, ⅝"
9	GD10510	1	Actuator Arm
10	G10049	1	Hex Head Cap Screw, ⅜"-16 x 2½"
	G10101	1	Hex Nut, ⅜"-16
	G11387	1	Flat Washer, ⅜" SAE
	G10229	2	Lock Washer, ⅜"
	G10497	1	Hex Jam Nut, ⅜"-16, Grade 2
11	GD10123	1	Spring
12	GD10104	1	Input Hub
13	GD10525	1	Sprocket, 34 Tooth
14	GD10200	1	Sleeve, ¾" Long
15	G10023	3	Hex Head Cap Screw, ¼"-20 x ¾"
	G10227	3	Lock Washer, ¼"
16	GD14512	2	V-Ring Seal
17	GD14513	1	Felt Washer
18	GA7137	1	Hub/Sleeve Assembly W/Spring Pins
	G10804	-	Spring Pin, ⅝ ₃₂ " x ⅞" (Included W/GA7137)
	G10765	-	Spring Pin, ¼" x 1" (Included W/GA7137)
19	GD9672	1	Spring, R.H.
	GD9671	-	Spring, L.H.
20	GD10102	1	Stop Collar
21	G10900	1	Hex Socket Head Cap Screw, ¼"-20 x 1¾", Grade 8
	G10227	1	Lock Washer, ¼"
	G10103	2	Hex Nut, ¼"-20
22	G10023	1	Hex Head Cap Screw, ¼"-20 x ¾"
	G10227	1	Lock Washer, ¼"
	G10103	1	Hex Nut, ¼"-20
23	GA8393	1	Solenoid Complete
	GR1306	1	Snap Ring (Included W/GA8393)
	GR1303	1	Spring (Included W/GA8393)
	GR1304	1	Boot (Included W/GA8393)
	GR1305	1	Plunger (Included W/GA8393)
24	GD10528	-	Bracket, R.H. (Shown)
	GD10529	1	Bracket, L.H.
25	GD7145	1	U-Bolt, 7" x 7" x ½"-13
	G10111	2	Lock Nut, ½"-13
26	GA10054	1	Ground Cable, Green
A	GA7418	-	Point Row Clutch Assembly, R.H. (R.H. Side Of Machine) (Items 2-6, 8-13, 15-23, And 26)
B	GA7417	-	Point Row Clutch Assembly, L.H. (L.H. Side Of Machine) (Items 2-6, 8-13, 15-23, And 26)

(A25955)

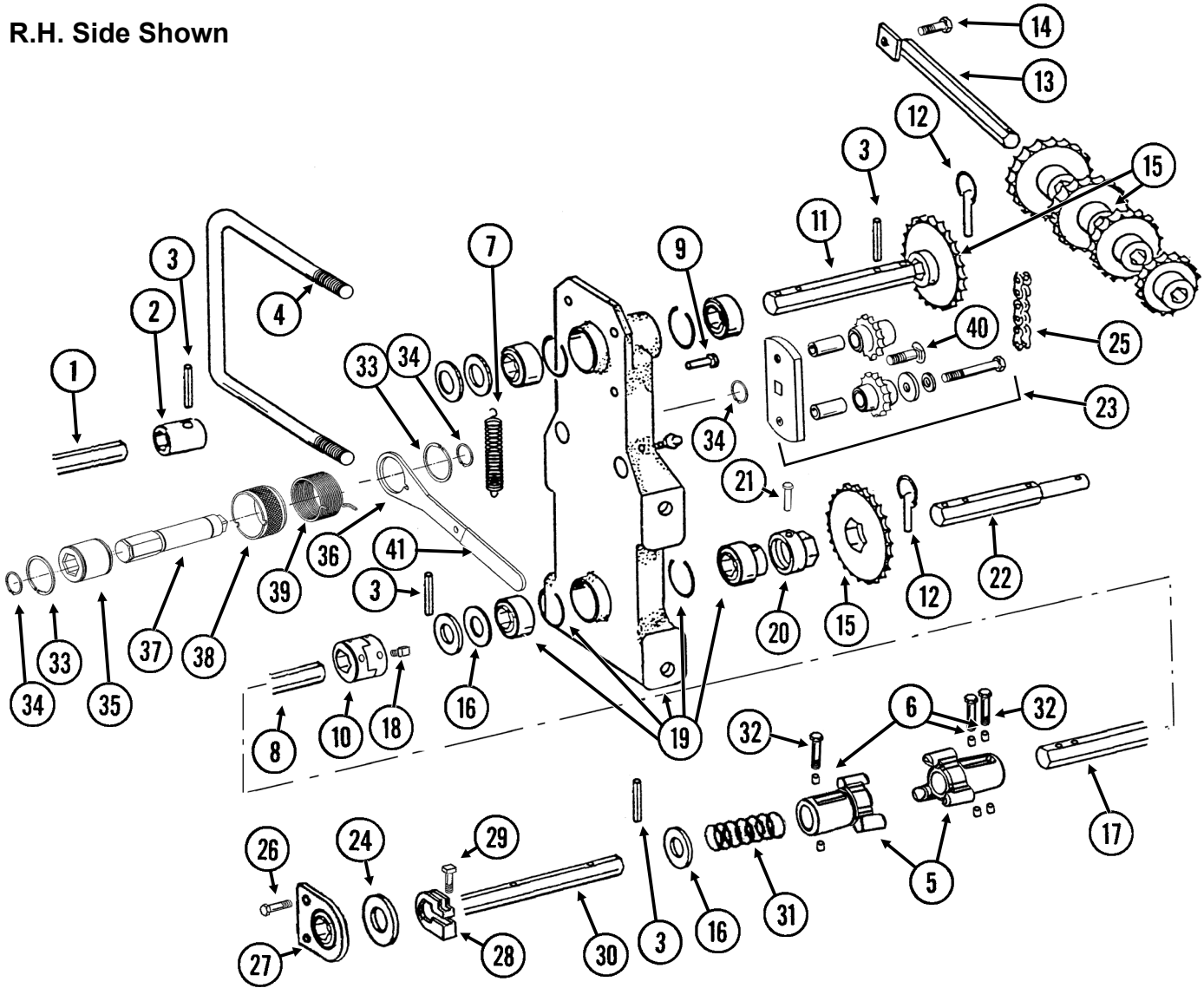


ITEM	PART NO.	QTY. (Per Assy.)	DESCRIPTION
1	GA17547	1	Power Adapter Cable
2	G1K268	-	Console Cable Connector Kit, Includes: (1) 3-Pin Connector, (1) Cable Clamp, (1) Lock Ring, (3) Female Terminal Pins
3	GA25528 GA8329	1 -	Harness W/4-Pin Connector, 152" 4-Pin Connector W/Male Housing, 4 Seals And 4 Socket Contacts (Included W/ GR1447)
4	GA7144	2	Two Position Switch
5	---	---	---
6	GA7165	1	Circuit Breaker, 12 Amp
7	GA25526	2	Control Box Harness
8	GA25529 GA8328	1 -	Harness 4-Pin Connector W/Female Housing, 4 Seals and 4 Pin Contacts (Included W/ GA25863)
A	GA25954	-	Control Box Assembly (Items 4, 6, and 8)

This page left blank intentionally.

(EF45h)

R.H. Side Shown



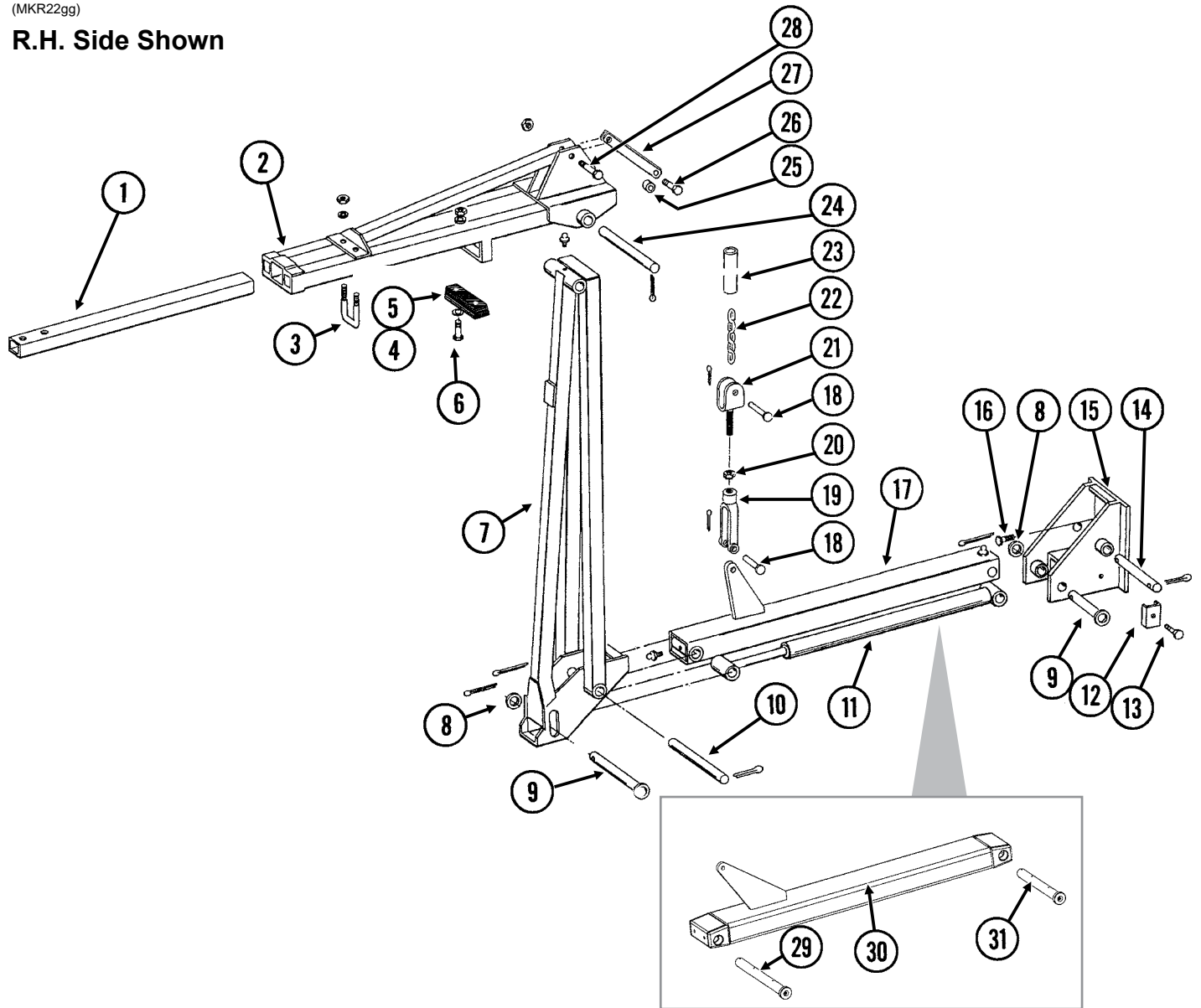
ITEM	PART NO.	QTY. (Per Assy.)	DESCRIPTION
1	GD0914-20	2	Hex Shaft, 7/8" x 20" (No Holes)
2	GD5961	1	Coupler, 2 1/4"
3	G10602	-	Spring Pin, 1/4" x 1 1/2"
4	GD1114	1	U-Bolt, 7" x 7" x 5/8"-11
	G10230	2	Lock Washer, 5/8"
	G10104	2	Hex Nut, 5/8"-11
5	GB0283	2	Coupler
6	GD11395	6	Bushing, 1/2"
7	GD5857	1	Spring
8	GD12616-78	2	Hex Shaft, 7/8" x 78" (2 Holes)
9	G10478	1	Clevis Pin, 5/16" x 1"
	G10409	1	Retaining Ring, 5/16"
10	GB0287	2	Coupler
11	GD5835	1	Shaft, 7/8" x 7"
12	GD2558	3	Lynch Pin, 1/4"

ITEM	PART NO.	QTY. (Per Assy.)	DESCRIPTION
13	GA5146	1	Sprocket Storage Rod (Mechanical)
14	G10017	1	Hex Head Cap Screw, ½"-13 x 1½"
	G10527	1	Lock Washer, ½", Internal/External
	G10111	1	Lock Nut, ½"-13
15	GA5105	1	Sprocket, 15 Tooth
	GA5106	1	Sprocket, 17 Tooth
	GA5107	1	Sprocket, 19 Tooth
	GA5108	2	Sprocket, 23 Tooth
	GA5109	1	Sprocket, 24 Tooth
	GA5110	1	Sprocket, 25 Tooth
	GA5111	1	Sprocket, 26 Tooth
	GA5112	1	Sprocket, 27 Tooth
	GA5113	1	Sprocket, 28 Tooth
16	G10233	4	Machine Bushing, 1", 10 Gauge
17	GD11393-78	2	Hex Shaft, 7/8" x 78" (3 Holes)
18	G10131	4	Square Head Set Screw, 5/16"-18 x 3/4"
19	GA5629	1	Transmission Plate W/Bearings, Grease Fittings And Retaining Rings
	GA5116	3	Bearing, 7/8" Hex Bore, Cylindrical (Included W/GA5629)
	GA5624	1	Special Bearing, 7/8" Hex Bore x 1.6" (Included W/GA5629)
	GD6551	4	Ring (Included W/GA5629)
	G10640	-	Grease Fitting, 1/4"-28 (Included W/GA5629)
20	GD7127	1	Shear Coupler
21	G10821	1	Clevis Pin, 3/16" x 2"
	G10455	-	Cotter Pin, 1/16" x 1/2"
22	GD7822	1	Shaft, 7/8" x 7"
23	GA7336	1	Idler W/Bolt-On Sprockets
	GD7426	-	Sprocket, 12 Tooth (Included W/GA7336)
	GD1026	-	Sleeve, 1 3/16" Long (Included W/GA7336)
	G11387	-	Flat Washer, 3/8" SAE (Included W/GA7336)
	G10229	-	Lock Washer, 3/8" (Included W/GA7336)
	G10047	-	Hex Head Cap Screw, 3/8"-16 x 1 3/4" (Included W/GA7336)
24	G11396	1	Flat Washer, 1 1/4"
25	G3310-80	1	Chain, No. 40, 80 Pitch Including Connector Link
	GR0912	-	Connector Link, No. 40
26	G10004	-	Hex Head Cap Screw, 3/8"-16 x 1 1/4"
	G10229	-	Lock Washer, 3/8"
	G10101	1	Hex Nut, 3/8"-16
27	GA2180	2	Hanger Bearing, 7/8" Hex Bore
28	GD11045	-	Lock Clamp
29	G10130	-	Square Head Machine Bolt, 5/16"-18 x 1 3/4"
	G10923	-	Flange Nut, 5/16"-18, No Serration
30	GD11394-79	1	Hex Shaft, 7/8" x 79" (2 Holes), L.H.
	GD11394-90	-	Hex Shaft, 7/8" x 90" (2 Holes), R.H.
31	GD2962	2	Spring
32	G10880	3	Hex Head Cap Screw, 1/4"-20 x 2 1/4"
	G10110	3	Lock Nut, 1/4"-20, Grade B
33	G10496	2	External Inverted Snap Ring, 1 1/2"
34	G11075	3	External Inverted Snap Ring, 7/8"
35	GD14432	1	Sleeve, 1 1/4"
36	GD14431	1	Handle
37	GD14427	1	Tightener Shaft, 4 7/8"
38	GD19343	1	Release Collar, R.H. (Shown)
	GD19344	-	Release Collar L.H.

ITEM	PART NO.	QTY. (Per Assy.)	DESCRIPTION
39	GD14413	-	Torsion Spring, L.H. (Shown)
	GD14414	1	Torsion Spring, R.H.
40	G11100	1	Hex Socket Button Head Cap Screw, 1/4"-20 x 1/2", Grade 8
	G10227	1	Lock Washer, 1/4"
	G11453	1	Fender Washer, 1/4"
41	G11078	1	Vinyl Cap
A	G1K269	-	Lock Clamp Kit (Items 28 And 28)
B	G1K378	1	Wrap Spring Wrench Replacement Kit, Blue Collar, R.H. (Items 33-41) (Shown)
	G1K379	-	Wrap Spring Wrench Replacement Kit, Gray Collar, L.H. (Items 33-41)

(MKR22gg)

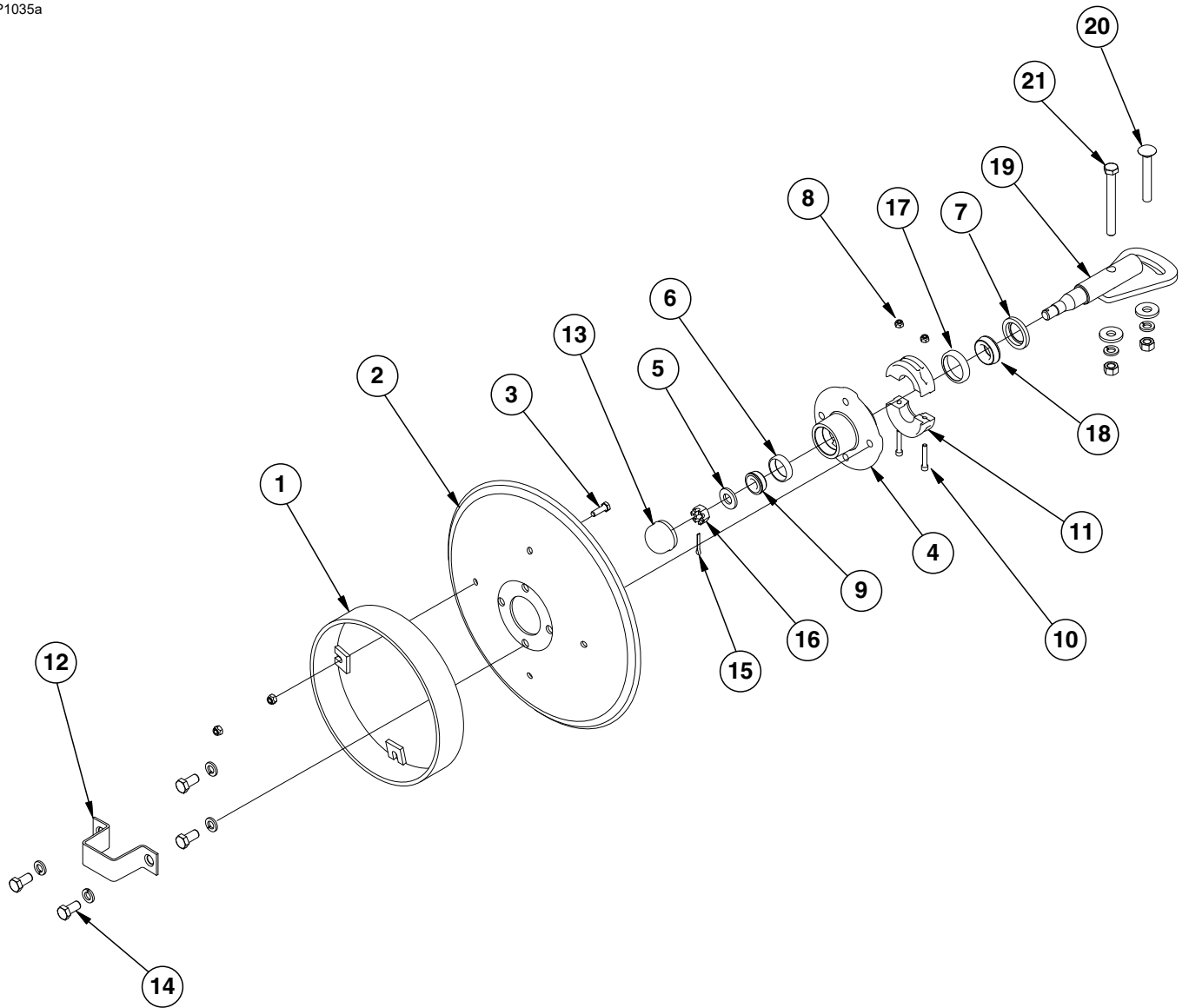
R.H. Side Shown



ITEM	PART NO.	QTY. (Per Assy.)	DESCRIPTION
1	GD0453-06	1	Extension Tube, 30"
2	GA8075	1	Arm, Third Stage Marker
3	GD2721	1	U-Bolt, 2" x 2" x 1/2"-13
	G10228	2	Lock Washer, 1/2"
	G10102	2	Hex Nut, 1/2"-13
4	GD11141	1	Spacer Tube
5	GA9145	1	Molded Stop, 6 1/4" Long
6	G10047	2	Hex Head Cap Screw, 3/8"-16 x 1 3/4"
	G10809	-	Hex Head Cap Screw, 3/8"-16 x 3 1/4"
	G10203	2	Washer, 3/8" SAE
	G10108	2	Lock Nut, 3/8"-16
7	GA8076	1	Arm W/Grease Fitting, Second Stage, 72"
	G10641	-	Grease Fitting, 1/8" NPT (Included W/GA8076)
8	G10159	-	Washer, 1 1/8"

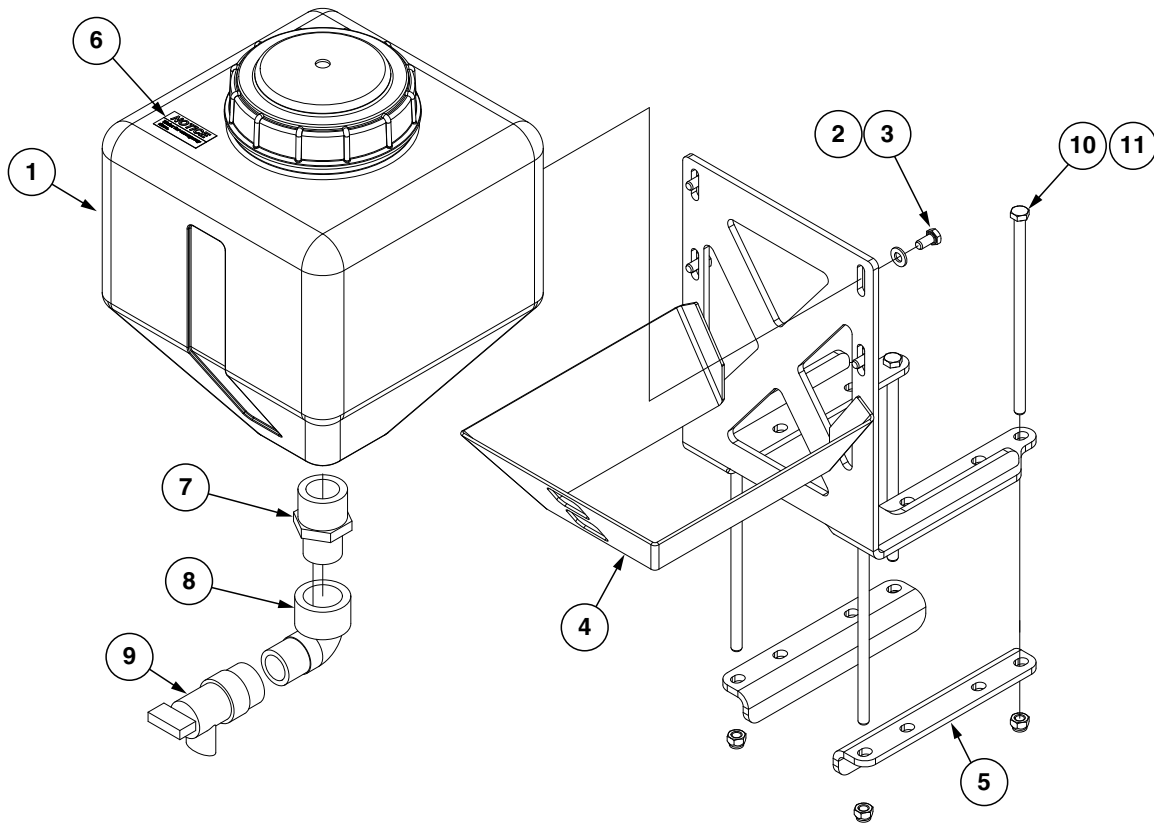
ITEM	PART NO.	QTY. (Per Assy.)	DESCRIPTION
9	GD15386	2	Pin, 1¼" x 7⅝"
	G10460	2	Cotter Pin, ¼" x 2"
10	GD3214	1	Pin, 1¼" x 12¼"
	G10460	2	Cotter Pin, ¼" x 2"
11	---	-	See "Row Marker (Cushion) Cylinder" on page P83
12	GD5875	1	Hose Clamp, ⅞" x 2½" x 2"
13	G10003	1	Hex Head Cap Screw, ⅜"-16 x 1½"
	G10108	1	Lock Nut, ⅜"-16
14	GD0652	1	Pin, 1¼" x 9½"
	G10460	2	Cotter Pin, ¼" x 2"
15	GA8073	1	Mount
16	G10879	4	Flanged 12 Point Bolt, ⅝"-11 x 2", Special Hardened
	G10230	2	Lock Washer, ⅝"
	G10104	2	Hex Nut, ⅝"-11
17	GA8074	1	Arm W/Grease Fittings, First Stage
	G10641	-	Grease Fitting, ⅛" NPT (Included W/GA8074)
18	G10560	2	Clevis Pin, ½" x 1¾"
	G10451	-	Cotter Pin, ⅛" x 1"
19	GD8218	1	Yoke
20	G10503	1	Hex Jam Nut, ⅝"-11, Grade 2
21	GD11115	1	Plain Yoke
22	G3302-07	1	Coil Chain, No. 9/0, 28 Links
23	GD10674-02	1	Chain Cover, 56",
24	GD2697	1	Pin, ⅞" x 11"
	G10463	2	Cotter Pin, ¼" x 1½"
25	GD2971-11	1	Sleeve, 1 ⅞" Long
26	G10049	1	Hex Head Cap Screw, ⅜"-16 x 2½"
	G10210	1	Washer, ⅜" USS
	G10108	1	Lock Nut, ⅜"-16
27	GA8072	1	Linkage, 10"
28	G10862	1	Hex Head Cap Screw, ⅝"-11 x 3¼"
	G10107	2	Lock Nut, ⅝"-11
29	GD21142	-	Marker Pin, 1¼" x 1⅜"
	G10640	-	Grease Fitting, ¼"-28
	G11400	-	Retaining Ring, 1¼"
	G10460	1	Cotter Pin, ¼" x 2"
30	GA11592	-	Arm, First Stage
31	GD21143	-	Marker Pin, 1¼" x 9½"
	G10640	-	Grease Fitting, ¼"-28
	G11400	-	Retaining Ring, 1¼"
	G10460	1	Cotter Pin, ¼" x 2"

IP1035a



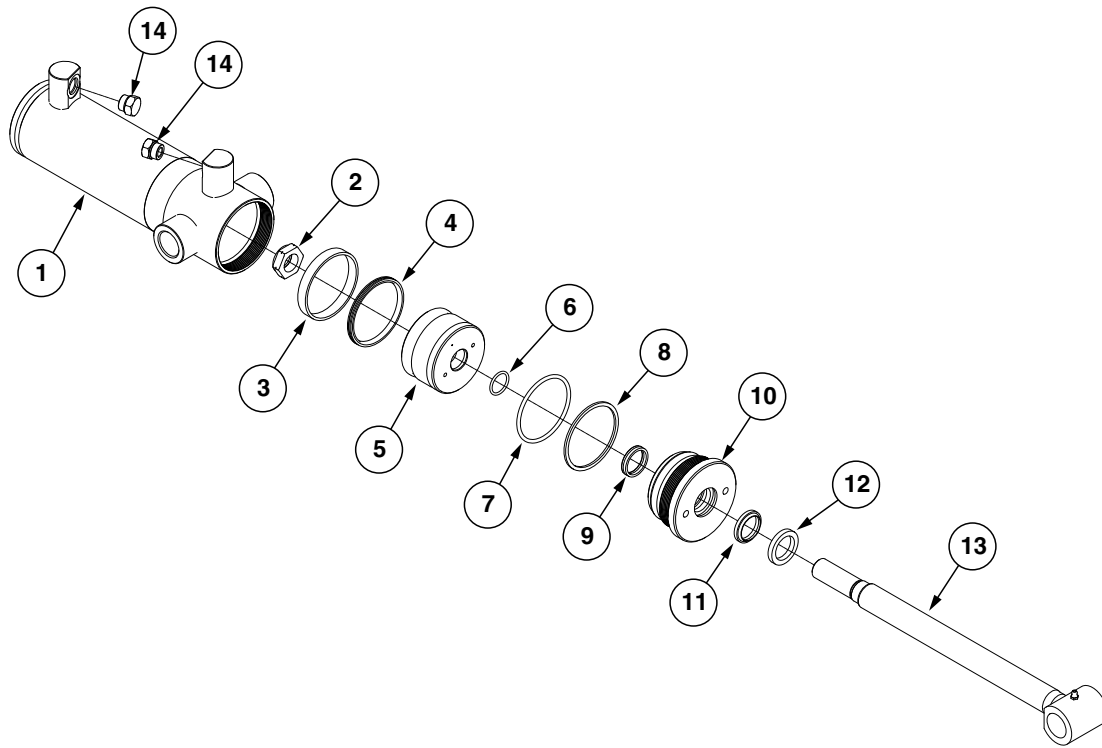
ITEM	PART NO.	QTY. (Per Assy.)	DESCRIPTION
1	GA5853	1	Depth Band
2	GD0746	1	Disc Blade, Solid, 16" (Shown)
	GD10283	-	Disc Blade, Notched, 16" (Optional)
3	G10019	4	Hex Head Cap Screw, $\frac{5}{16}$ "-18 x 1"
	G10109	4	Lock Nut, $\frac{5}{16}$ "-18, Grade 8
4	GA0167	1	Hub W/Cups, 4 Bolt (Includes Items 6 and 17)
5	G11391	1	Flat Washer, $\frac{5}{8}$ " SAE
6	GR0151	1	Outer Cup
7	GD21540	1	Grease Seal
8	G10110	2	Lock Nut, $\frac{1}{4}$ "-20, Grade B
9	GA0257	1	Bearing
10	G11418	2	Hex Socket Head Cap Screw, $\frac{1}{4}$ "-20 x $1\frac{1}{2}$ "
11	GB0554	2	Hub Shield
12	GD2597	1	Retainer
13	GD0840	1	Dust Cap
14	G10722	4	Hex Head Cap Screw, $\frac{1}{2}$ "-20 x 1"
	G10228	4	Lock Washer, $\frac{1}{2}$ "
15	G10544	1	Cotter Pin, $\frac{5}{32}$ " x 1"
16	G10725	1	Slotted Hex Nut, $\frac{5}{8}$ "-18
17	GR0150	1	Inner Cup
18	GA0245	1	Bearing
19	GA15151	1	Spindle
20	G10844	1	Carriage Bolt, $\frac{1}{2}$ "-13 x $3\frac{1}{2}$ "
	G10168	1	Machine Bushing, $\frac{1}{2}$ ", 7 Gauge
	G10228	1	Lock Washer, $\frac{1}{2}$ "
	G10102	1	Hex Nut, $\frac{1}{2}$ "-13
21	G10045	1	Hex Head Cap Screw, $\frac{1}{2}$ "-13 x $4\frac{1}{2}$ "
	G10168	2	Machine Bushing, $\frac{1}{2}$ ", 7 Gauge
	G10228	2	Lock Washer, $\frac{1}{2}$ "
	G10102	2	Hex Nut, $\frac{1}{2}$ "-13
A	GA13719	-	Hub And Spindle Assembly, (Items 4-7, 9, and 12-19)

(A21003)



ITEM	PART NO.	QTY. (Per Assy.)	DESCRIPTION
1	GD30723	1	4 Gallon Water Tank W/Lid
2	G11386	4	Flat Washer, 5/16" SAE
3	G10018	4	Hex Head Cap Screw, 5/16"-18 x 5/8"
4	GA24449	1	Water Tank Mount
5	GD30221	2	Water Tank Mount Brackets
6	G10383201	1	Decal, Notice
7	G10727	1	Reducing Nipple, 1-1/4" x 1"
8	G11742	1	1" NPT 90° Elbow
9	GD30722	1	1" NPTF Flush Valve
10	G10686	4	Hex Head Cap Screw, 3/8"-16 x 8"
11	G10108	4	Lock Nut, 3/8"-16

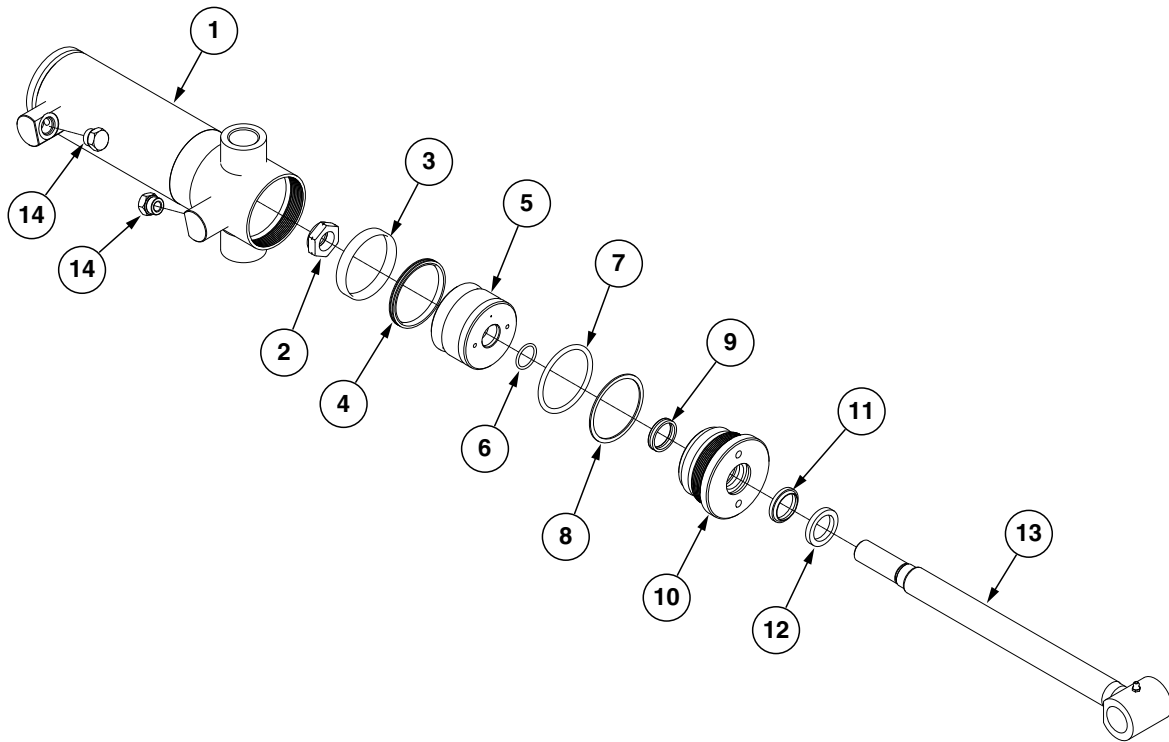
(IP1523)



ITEM	PART NO.	QTY.	DESCRIPTION
1	*A4295	1	Barrel (Non-Stock Item)
2	GD27235	1	Nylon Lock Nut, 1"-14, Grade 8
3	*D12056	1	Wear Ring
4	*D12280	1	T-Seal
5	GA21112	1	Piston
6	*D29649	1	O-Ring, No. 215
7	*D12231	1	O-Ring, No. 338
8	*D12232	1	BU Ring
9	*D12251	1	U-Cup
10	GD12507	1	Gland
11	*D12210	1	Wiper
12	GD12102	1	Ring
13	GA21106	1	Rod
14	G6408-08 GR1037	2 -	Plug W/O-Ring, 3/4"-16 O-Ring O-Ring
A	GA21111	-	Cylinder Complete, 3½" x 8" (Part Number Stamped On Barrel)
B	GR2228	-	Seal Kit, Includes: (1) Wiper, (3) O-Rings, (1) BU Ring, (1) T-Seal, (1) Wear Ring, (1) U-Cup

*Item is part of seal kit, item can not be purchased individually.

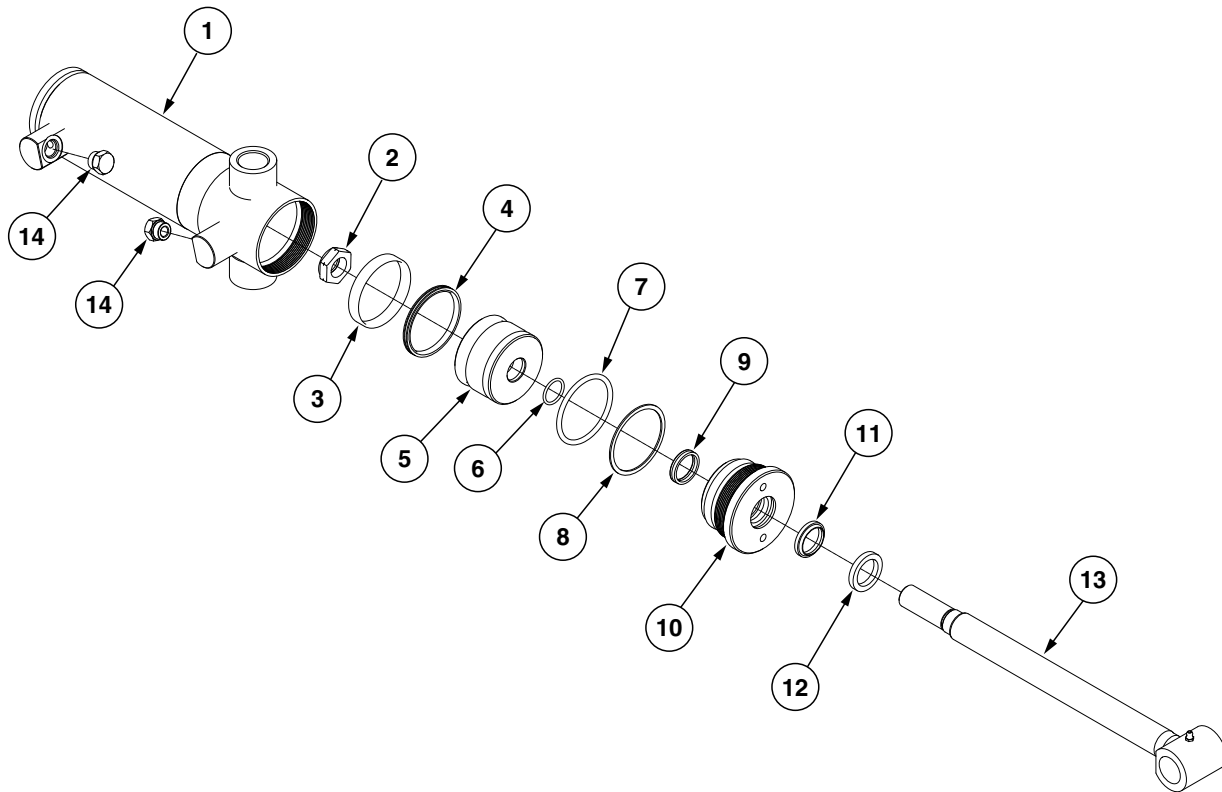
(IP1524)



ITEM	PART NO.	QTY.	DESCRIPTION
1	*A7538	1	Barrel (Non-Stock Item)
2	GD27235	1	Nylon Lock Nut, 1"-14, Grade 8
3	*D12038	1	Wear Ring
4	*D12279	1	T-Seal
5	GA21105	1	Piston
6	*D29649	1	O-Ring, No. 215
7	*D12227	1	O-Ring, No. 336
8	*D12228	1	Back-Up Ring
9	*D12251	1	U-Cup
10	GD12505	1	Gland
11	*D12210	1	Wiper
12	GD12102	1	Ring
13	GA21106	1	Rod
14	G6408-08	2	Plug W/O-Ring, 3/4"-16 O-Ring
	GR1037	-	O-Ring
A	GA21104	-	Cylinder Complete, 3 1/4" x 8" (<i>Part Number Stamped On Barrel</i>)
B	GR2225	-	Seal Kit, Includes: (1) Wiper, (1) U-Cup, (3) O-Rings, (1) BU Ring, (1) T-Seal, (1) Wear Ring

*Item is part of seal kit, item can not be purchased individually.

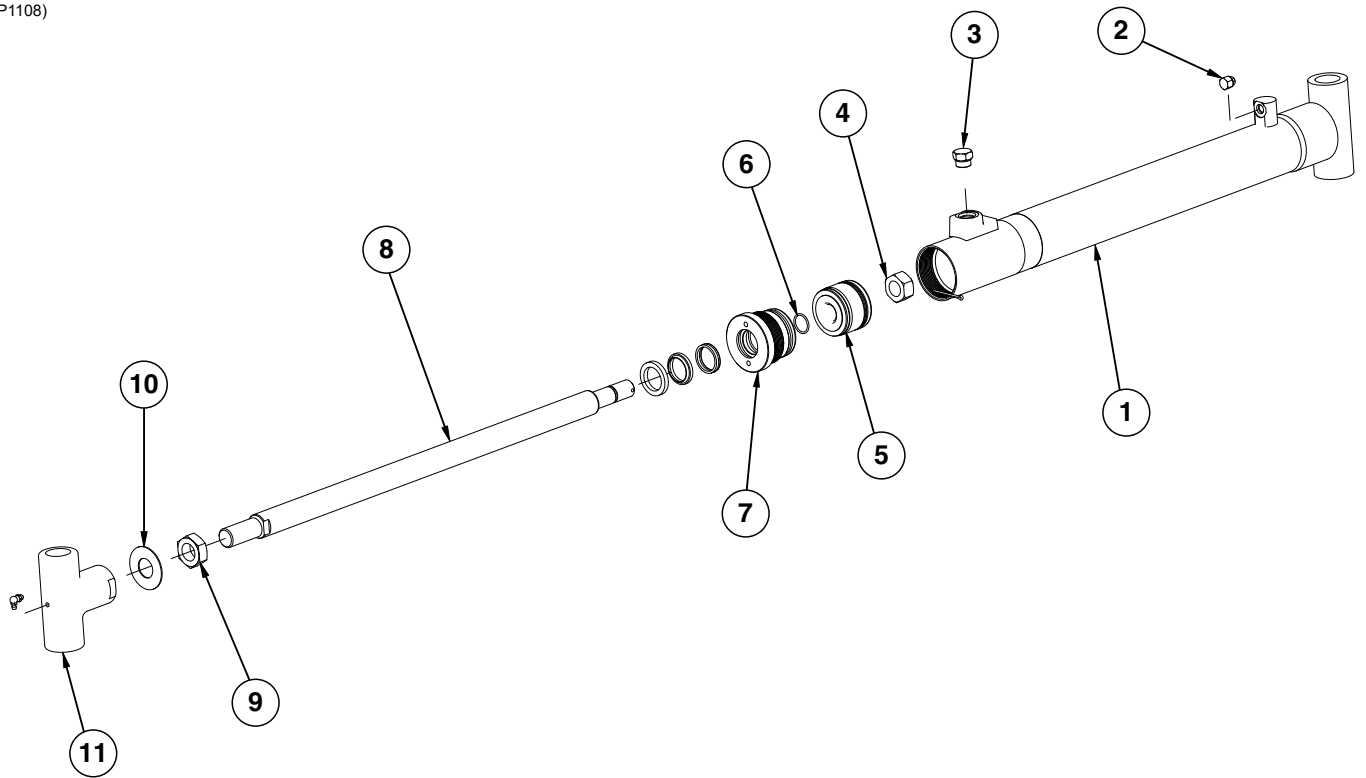
(IP1526)



ITEM	PART NO.	QTY.	DESCRIPTION
1	*A7538	1	Barrel (Non-Stock Item)
2	GD27235	1	Nylon Lock Nut, 1"-14, Grade 8
3	*D12038	1	Wear Ring
4	*D12279	1	T-Seal
5	GD30388	1	Piston
6	*D29649	1	O-Ring, No. 215
7	*D12227	1	O-Ring, No. 336
8	*D12228	1	Back-Up Ring
9	*D12251	1	U-Cup
10	GD12505	1	Gland
11	*D12210	1	Wiper
12	GD12102	1	Ring
13	GA21106	1	Rod
14	G6408-08	2	Plug W/O-Ring, 3/4"-16 O-Ring
	GR1037	-	O-Ring
A	GA21109	-	Cylinder Complete, 3 1/4" x 8" (Part Number Stamped On Barrel)
B	GR2225	-	Seal Kit, Includes: (1) Wiper, (1) U-Cup, (3) O-Rings, (1) BU Ring, (1) T-Seal, (1) Wear Ring

*Item is part of seal kit, item can not be purchased individually.

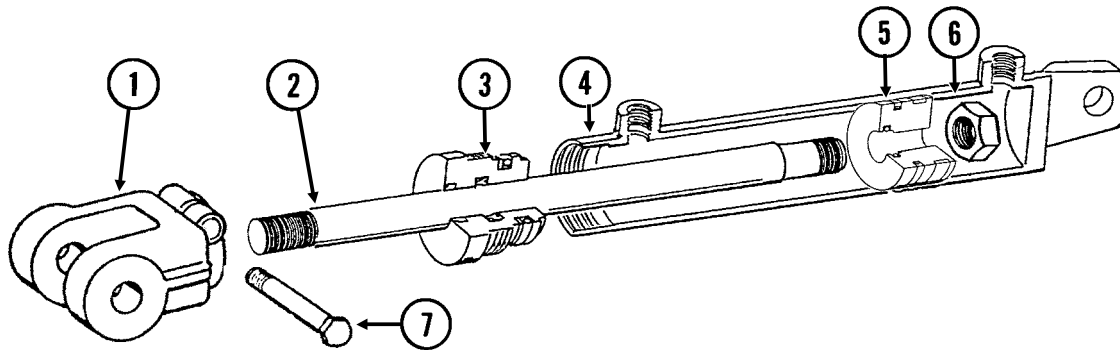
(IP1108)



ITEM	PART NO.	QTY.	DESCRIPTION
1	*A8836	1	Barrel (Non-Stock Item)
2	G6408-04	1	Plug W/O-Ring, 7/16"-20 O-Ring
	GR1465	-	O-Ring
3	G6408-08	1	Plug W/O-Ring, 3/4"-16 O-Ring
	GR1037	-	O-Ring
4	G10969	1	Lock Nut, 7/8"-14
5	GD11983	1	Piston
	*D12275	1	T-Seal, 2 1/2"
	*D12012	1	Piston Ring, 2 1/2"
6	*D12214	1	O-Ring
7	GD10207	1	Gland
	*D12251	1	U-Cup
	*D12213	1	Back-up Ring
	*D12212	1	O-Ring
	*D12210	1	Wiper
	GD12102	1	Cast Iron Ring
8	GD14529	1	Rod (2015 - 2017 Production)
	GD34209	-	Rod (2018 Production and on)
9	G10324	1	Hex Jam Nut, 1"-14
10	GD23002	1	Locking Device
11	GD14308	1	Threaded Sleeve End
	G10779	1	Grease Fitting, 90°, 1/4"-28
A	GA10123	-	Cylinder Complete, 2 1/2" x 20 1/16" (Part Number Stamped On Barrel)
B	GR1521	1	Seal Kit, Includes: (1) T Seal, (2) O-Rings, (1) BU Ring, (1) U-Cup, (1) Wiper, (1) Cast Iron Ring

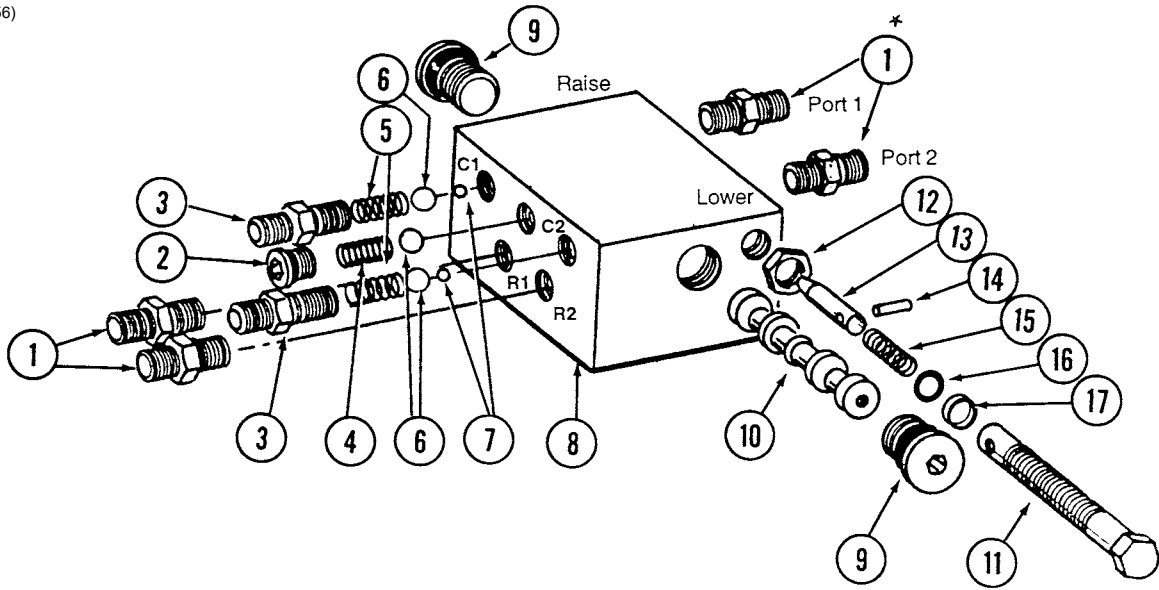
*Part of seal kit, item can not be purchased individually.

CYL032(CYL14c)



ITEM	PART NO.	QTY.	DESCRIPTION
1	GD11950	1	Clevis
2	GD12501	1	Rod
3	GD11999	1	Gland
4	*A6524	1	Barrel (Non-Stock Item)
5	GD12502	1	Piston
6	G10958	1	Lock Nut, 1"-14
7	G10939	1	Hex Head Cap Screw, 3/8"-16 x 2 1/4"
	G10108	1	Lock Nut, 3/8"-16
A	GA8911	-	Cylinder Complete, 3" x 16" <i>(Part Number Stamped On Barrel)</i>
B	GR1526	-	Seal Kit, Includes: (1) Wear Ring, (1) T-Seal, (2) O-Rings, (1) BU Ring, (1) U-Cup, (1) Wiper

(PT9a/TWL56)



ITEM	PART NO.		QTY.	DESCRIPTION
	Style A**	Style B**		
1	*G6400-06 GR1045	*G6400-06 GR1045	4 -	Connector W/O-Ring, 1/16"-18 Male JIC To O-Ring O-Ring
2	GR1034 GR1035	***	2 -	Hex Socket Plug W/O-Ring O-Ring
3	GR1032 GR1045	***	2 -	Port Adapter W/O-Ring O-Ring
4	GR1033	***	1	Detent Spring
5	GR1036	***	2	Spring
6	GR1044	***	3	1/16" Check Ball
7	GR1043	***	2	1/4" Steel Ball
8	---	---	1	Valve Body (Non-Stock Item)
9	GR1047 GR1037	GR1047 GR1037	2 -	Hex Socket Plug W/O-Ring O-Ring
10	---	---	-	Spool (Non-Stock Item)
11	GR1042	****	2	Adjustment Screw
12	GR1048	****	2	Hex Jam Nut, 1/2"-20
13	GR1038	****	2	Needle
14	GR1039	****	2	Spring Pin
15	GR1046	****	2	Compression Spring
16	GR1040	****	2	O-Ring
17	GR1041	****	2	Teflon BU Ring
A	GA5552	GA5552	-	Valve Assembly Complete (Items 1-17)
B	GA5572	GA20822	-	Flow Control Assembly Portion Only (Items 11-17)
C	---	GR2203	-	Detent Kit, Includes: (2) Hex Socket Plug W/O-Ring, (2) Port Adapter W/O-Ring, (1) Detent Spring, (2) Spring, (3) Check Ball, (2) Steel Ball

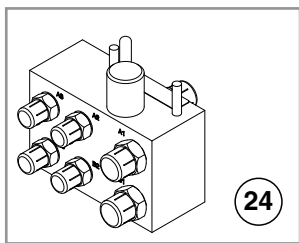
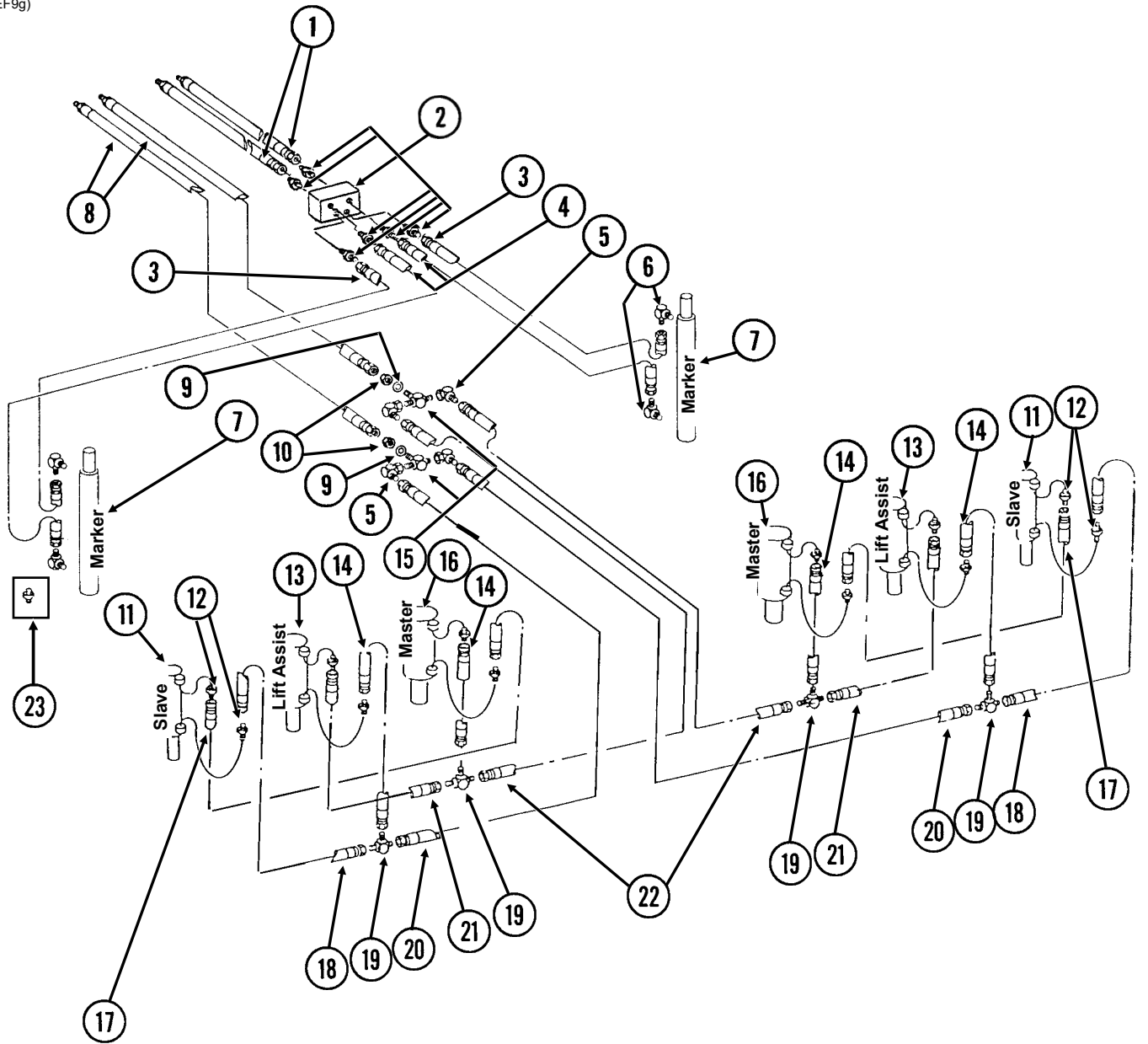
*Not used.

**Style A and B are determined by block color. Style A block will be yellow/zinc in color and manufactured by Shoemaker Inc. Style B block will be black in color and manufactured by Delta Power Company.

***Item is part of detent kit (GR2203), item can not be purchased individually

****Item is part of seal kit (GA20822), item can not be purchased individually.

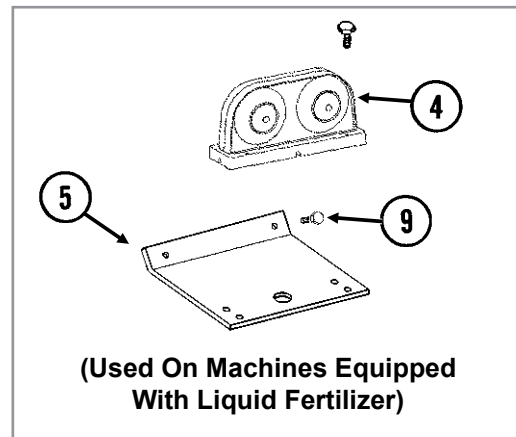
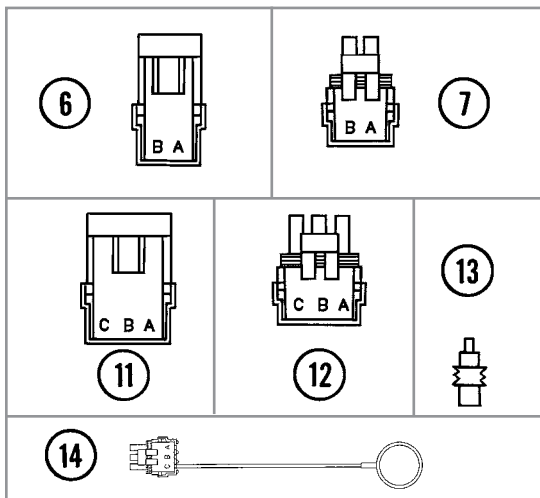
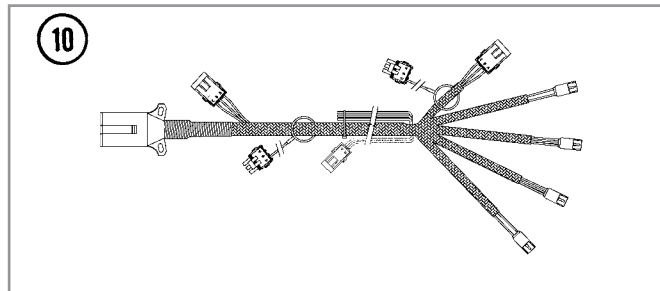
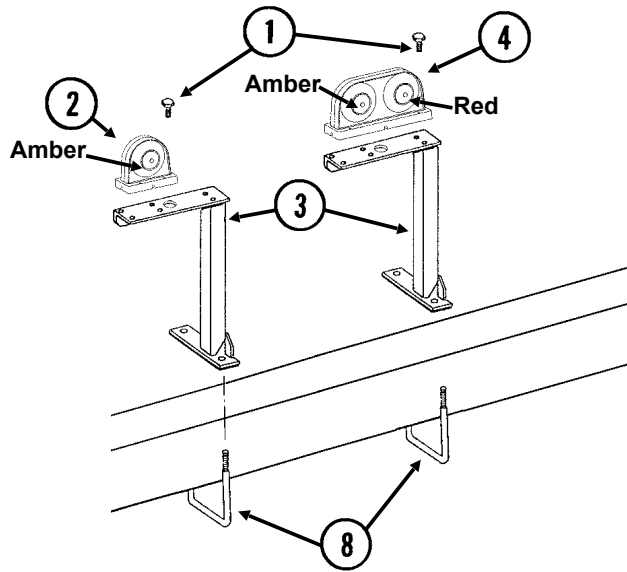
PHS036(EF9g)



**Hydraulic Wing
Fold Selector Valve**

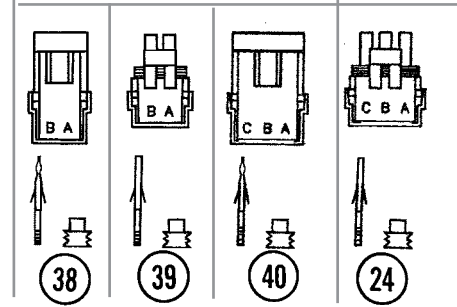
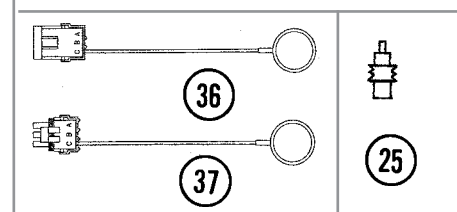
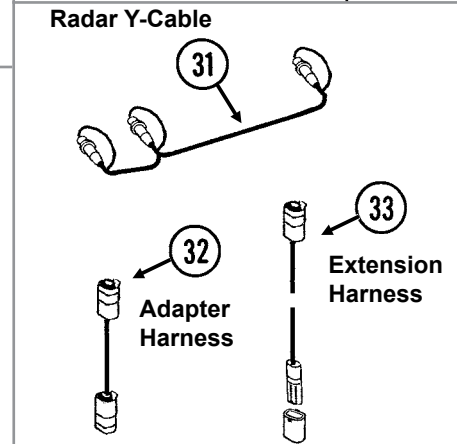
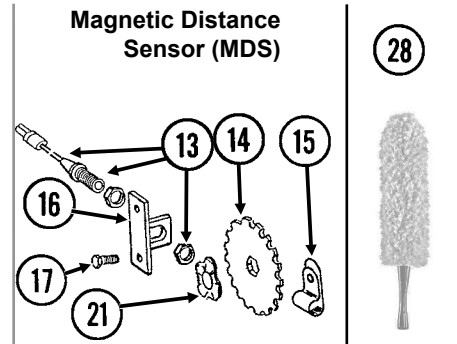
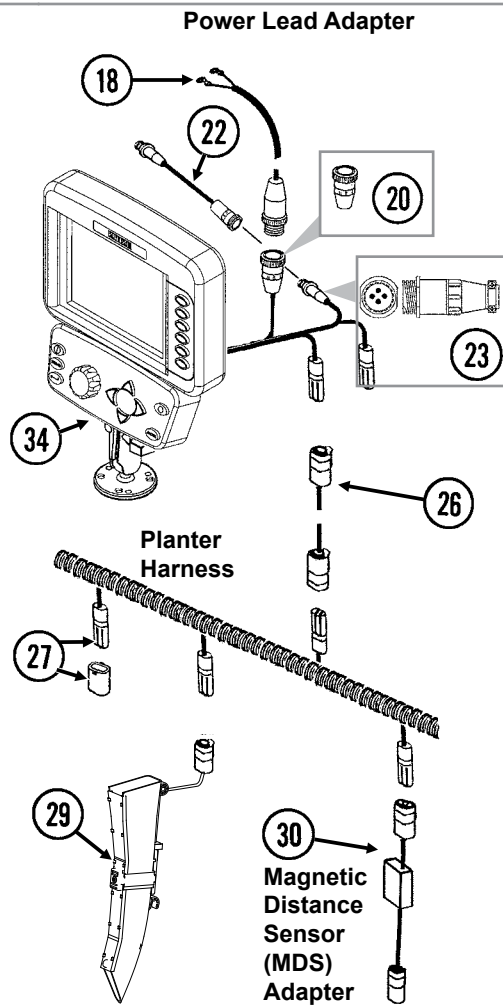
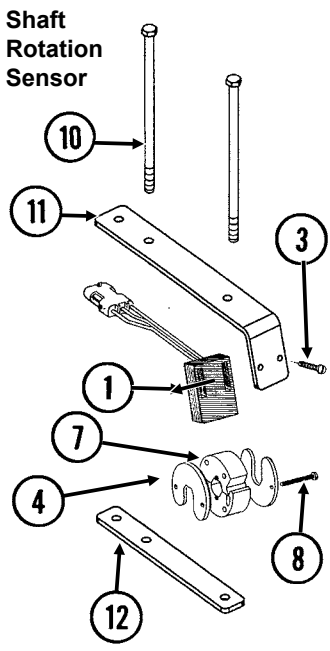
ITEM	PART NO.	QTY.	DESCRIPTION
1	*A26939-172	2	Hose Assembly, 3/8" x 172" (1/2M NPTF-06F)
2	---	-	See "Row Marker Sequencing/Flow Control Valve" on page P85 And See "Hitch Assembly" on page P56
3	*A12010	2	Hose Assembly, 3/8" x 259" (06F-08F)
4	*A12009	2	Hose Assembly, 3/8" x 244" (06F-08F)
5	G6500-08	4	Swivel Elbow, 90°, 3/4"-16 Male JIC To Female
6	G6801-08 GR1037	2-4 -	Elbow W/O-Ring, 90°, 3/4"-16 Male JIC To O-Ring O-Ring
7	---	-	See "Row Marker (Cushion) Cylinder" on page P83
8	*A26936-173	2	Hose Assembly, 3/8" x 173" (1/2M NPTF-08F)
9	G10215	2	Machine Bushing, 3/4", 14 Gauge
10	G306-08	2	Lock Nut, 3/4"-16
11	---	-	See "Slave Lift Cylinder" on page P81
12	G6400-08 GR1037	12 -	Connector W/O-Ring, 3/4"-16 Male JIC To O-Ring O-Ring
13	---	-	See "Assist Cylinder" on page P82
14	*A1000	4	Hose Assembly, 3/8" x 15" (08F-08F)
15	G2703-08	2	Bulkhead Tee, 3/4"-16 Male JIC
16	---	-	See "Master Lift Cylinder" on page P80
17	*A3114	2	Hose Assembly, 3/8" x 156" (08F-08F)
18	*A3136	2	Hose Assembly, 3/8" x 156" (08F-08F)
19	G2603-08	4	Tee, 3/4"-16 Male JIC
20	*A1006	2	Hose Assembly, 3/8" x 90" (08F-08F)
21	*A1020	2	Hose Assembly, 3/8" x 48" (08F-08F)
22	*A1020	2	Hose Assembly, 3/8" x 48" (08F-08F)
23	G6400-08-04 GR1045	2 -	Connector W/O-Ring, 3/4"-16 Male JIC To 7/16"-20 O-Ring O-Ring
24	GA24891	1	Selector Valve Assembly
* Hydraulic hose is not stocked by Kinze Repair Parts.			

(EF64e/INS7e/ELC9/MTR27a/A9206a/ EF64f)



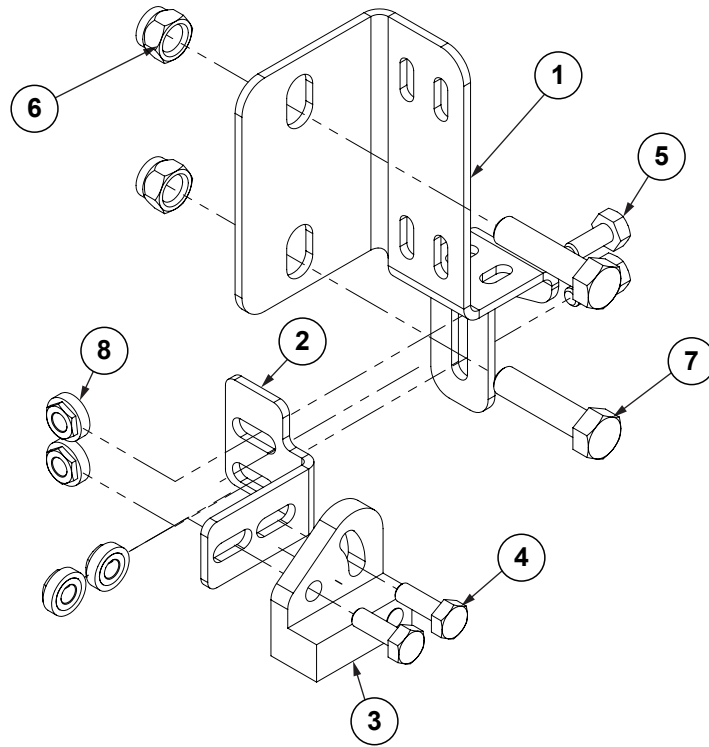
ITEM	PART NO.	QTY.	DESCRIPTION
1	G10064	8	Hex Head Cap Screw, 1/4"-20 x 1"
	G11385	8	Flat Washer, 1/4" SAE
	G10110	8	Lock Nut, 1/4"-20, Grade B
2	GA6701	2	Single Amber Light Assembly
	GR1956	-	Amber Lens Kit, Includes: (1) Amber Lens, (1) Gasket, and (3) Hex Head Cap Screws (Included W/GA6701)
	GR1208	-	Bulb (Included W/GA6701)
3	GA6824	-	Bracket, R.H.
	GA6823	1	Bracket, L.H. (Shown)
4	GA6699	1	Double Light Assembly
	GA6700	1	Double Light Assembly (Shown)
	GR1956	-	Amber Lens Kit, Includes: (1) Amber Lens, (1) Gasket, and (3) Hex Head Cap Screws (Included W/GA6699 and GA6700)
	GR1957	-	Red Lens Kit, Includes: (1) Red Lens, (1) Gasket, and (3) Hex Head Cap Screws (Included W/GA6699 and GA6700)
	GR1958	-	Black Cover Kit, Includes: (1) Black Cover, (1) Gasket, and (3) Hex Head Cap Screws
	GR1208	-	(Included W/GA6699 and GA6700) Bulb
5	GA9209	2	Light Bracket
6	G1K321	-	2-Pin Female Connector Kit (Black), Includes: (3) 2-Pin Female Housings, (6) Pin Contacts, (6) Seals
7	G1K320	-	2-Pin Male Connector Kit (Black), Includes: (3) 2-Pin Male Housings, (6) Socket Contacts, (6) Seals
8	GD7145	2-4	U-Bolt, 7" x 7" x 1/2"-13
	G10228	4-8	Lock Washer, 1/2"
	G10102	4-8	Hex Nut, 1/2"-13
9	G11385	4	Flat Washer, 1/4" SAE
	G10110	4	Lock Nut, 1/4"-20, Grade B
	G10023	4	Hex Head Cap Screw, 1/4"-20 x 3/4"
10	GA9207	-	Wiring Harness W/7 Terminal Female Connector, 329" (4 Light Connections)
	GA5385	-	7 Terminal Female Connector (Included W/GA9207)
11	G1K248	-	3-Pin Female Connector Kit (Black), Includes: (3) 3-Pin Female Housings, (9) Pin Contacts, (9) Seals
12	G1K252	-	3-Pin Male Connector Kit (Black), Includes: (3) 3-Pin Male Housings, (9) Socket Contacts, (9) Seals
13	GD11089	-	Sealing Plug
14	GA8047	-	Dust Plug (Black)

(MTR54b)



ITEM	PART NO.	QTY.	DESCRIPTION
1	GR1415	1	Rotation Sensor
2	---	-	---
3	G11960	2	Phillips Pan Head Machine Screw, No. 8-32 x 1 1/2", Staninless Steel
	G11961	2	Flat Washer, No. 8
	G11202	2	Lock Nut W/Nylon Insert, No. 8-32, Stainless Steel
4	GD11474	2	Cover
5	---	-	---
6	---	-	---
7	GR1414	1	Actuator
8	G11202	2	Lock Nut W/Nylon Insert, No. 8-32, Stainless Steel
	G11960	2	Philips Pan Head Machine Screw #8-32 x 1-1/4"
9	---	-	---
10	G10229401	2	Hex Head Cap Screw, 3/8"-16 x 8-1/2"
	G11387	1	Flat Washer, 3/8"
	G10108	2	Lock Nut, 3/8"-16
11	GD18118	2	Shaft Sensor Mount
12	GD18168	2	Mount
13	GA5600	1	Magnetic Distance Sensor
14	GD8751	-	Magnetic Distance Sensor Pulse Wheel
15	GD13348	-	Insulated Clamp, 1 1/16"
16	GD8770	1	Bracket
17	G10001	2	Hex Head Cap Screw, 3/8"-16 x 1"
	G10229	2	Lock Washer, 3/8"
	G10101	2	Hex Nut, 3/8"-16
18	GA17547	1	Power Lead Adapter
19	---	-	---
20	G1K268	-	Console Cable Connector Kit, Includes: (1) 3-Pin Connector, (1) Cable Clamp, (1) Lock Ring, (3) Female Terminal Pins
21	GD8771	1	Spring Wave Washer
22	GA9144	-	Monitor/Radar Adapter Cable, 10"
23	G1K322	-	4-Pin Connector Kit W/Male Housing, (4) Female Socket Contacts And (1) Cable Clamp
24	G1K252	-	3-Pin Male Connector Kit (Black), Includes: (3) 3-Pin Male Housings, (9) Socket Contacts, (9) Seals
	G1K363	-	3-Pin Male Connector Kit (Blue), Includes: (3) 3-Pin Male Housings, (9) Socket Contacts, (9) Seals
25	GD11089	-	Sealing Plug
26	---	-	Included In Light Wiring Harness. See Item 10 On page P89
27	GA13980	1	Planter Harness W/Dust Caps, 12 Row (16 Connectors)
	GB1090	-	Dust Cap (Included W/GA7851)
28	G10475701	-	Professional Microfiber Duster, 19" (for cleaning Seed Tube sensors)
29	G10745401	-	Seed Tube W/Computerized Sensor
	GA20902	-	Seed Tube (With Holes For Sensor Installation) (Included W/G10745401)
30	GA7859	1	Magnetic Distance Sensor Adapter (Analog To Digital)
31	GR0586	1	Radar Y-Cable (Used To Connect Radar Distance Sensor For Multiple Functions)
32	GA7857	-	Adapter Harness, 1'
33	GA7854	-	Extension Harness W/Dust Cap, 15'
	GA7855	-	Extension Harness W/Dust Cap, 30'
	GB1090	-	Dust Cap (Included W/GA7854 and GA7855)

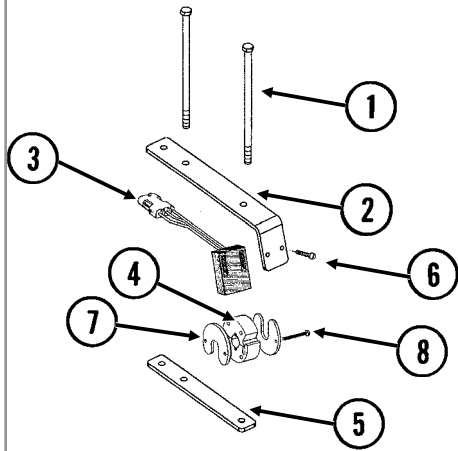
ITEM	PART NO.	QTY.	DESCRIPTION
34	G8647X	1	KPM III Backlit Console W/Brush (Item 28), Dust Plug (Item 36), Mounting Bracket Assembly, Console Mounting Bracket Hardware And Power Harness
	GA12403	-	Mounting Bracket Assembly, Includes: (2)Mounting Brackets, (2) Connector Halves, (1) Compression Spring, (1) Tension Knob, (1) ¼"-20 x 1 ¾" Hex Head Cap Screw, (1) ¼" Plastic Washer, (1) ¼" Steel Washer
	GR1762	-	Console Mounting Bracket Hardware Package, Includes: (3) No. 10-32 x ⅝" Hex Socket Pan Head Plated Screws, (3) No. 10 Plated Lock Washers (Included W/G8647X)
	GA16082	-	Power Harness (Included W/G8647X)
35	---	---	---
36	GA8046	-	Dust Plug (Black)
	GA9978	-	Dust Plug (Blue)
37	GA8047	-	Dust Plug (Black)
	GA9979	-	Dust Plug (Blue)
38	G1K321	-	2-Pin Female Connector Kit (Black), Includes: (3) 2-Pin Female Housings, (6) Pin Contacts, (6) Seals
39	G1K320	-	2-Pin Male Connector Kit (Black), Includes: (3) 2-Pin Male Housings, (6) Socket Contacts, (6) Seals
40	G1K248	-	3-Pin Female Connector Kit (Black), Includes: (3) 3-Pin Female Housings, (9) Pin Contacts, (9) Seals
	G1K362	-	3-Pin Female Connector Kit (Blue), Includes: (3) 3-Pin Female Housings, (9) Pin Contacts, (9) Seals
A	GA6147	-	Magnetic Distance Sensor And Mounting Package (Items 13-17 And 21)
B	GR1763	-	KPM III Loaner Display Only
C	GA13521	-	Shaft Sensor Mounting (Items 3, 4, 8, and 41-43)



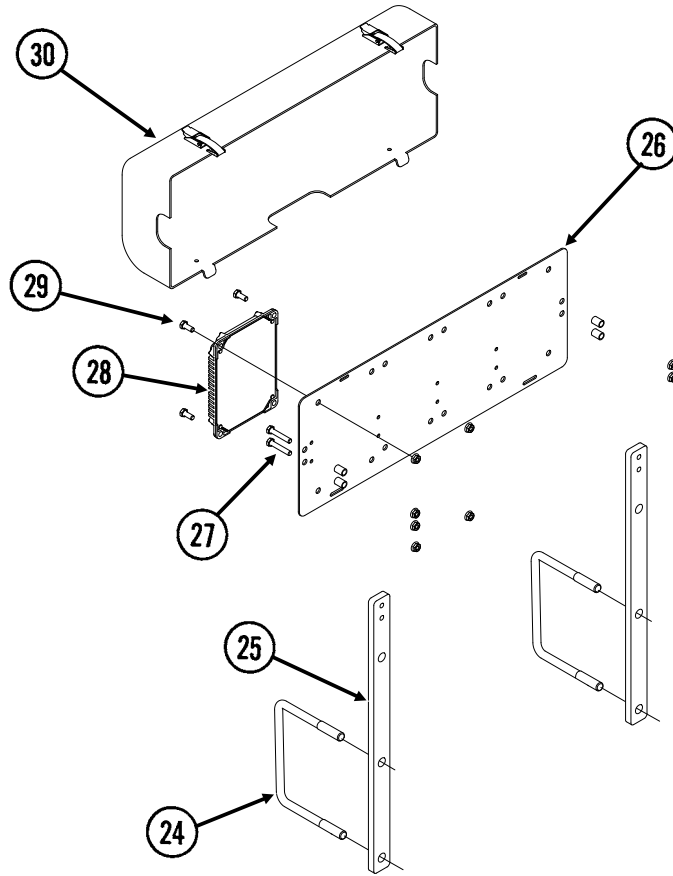
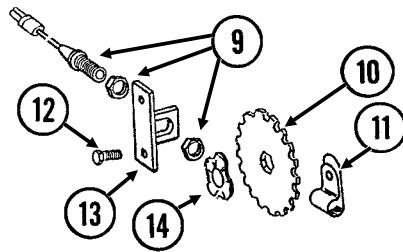
ITEM	PART NO.	QTY.	DESCRIPTION
1	G10652601	1	Switch Holder Front Plate
2	G10652501	1	Implement Switch Plate
3	GA18353	1	Magnetic Reed Position Switch
4	G10023	2	Hex Head Cap Screw, 1/4"-20 x 3/4"
5	G10020	2	Hex Head Cap Screw, 1/4"-20 x 5/8"
6	G10108	2	Lock Nut, 3/8"-16
7	G10003	2	Hex Head Cap Screw, 3/8"-16 x 1 1/2"
8	G10323	4	Hex Flange Nut, 1/4"-20, No Serrations

(MTR60/MTR63/PMM01/MTR65/MTR61/MTR64/MTR62/PMM02)

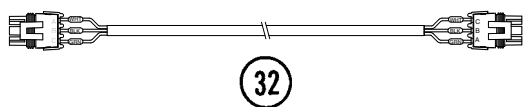
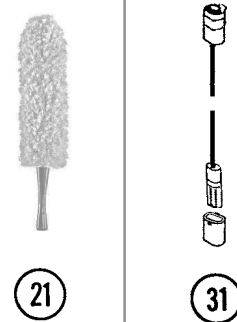
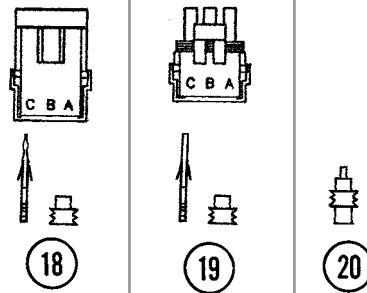
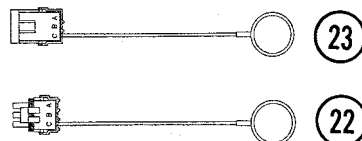
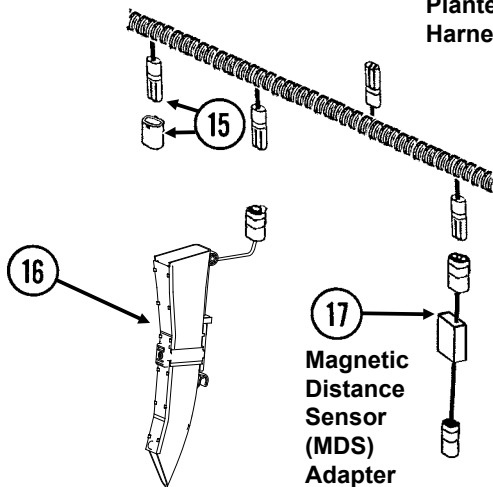
Shaft Rotation Sensor



Magnetic Distance Sensor (MDS)

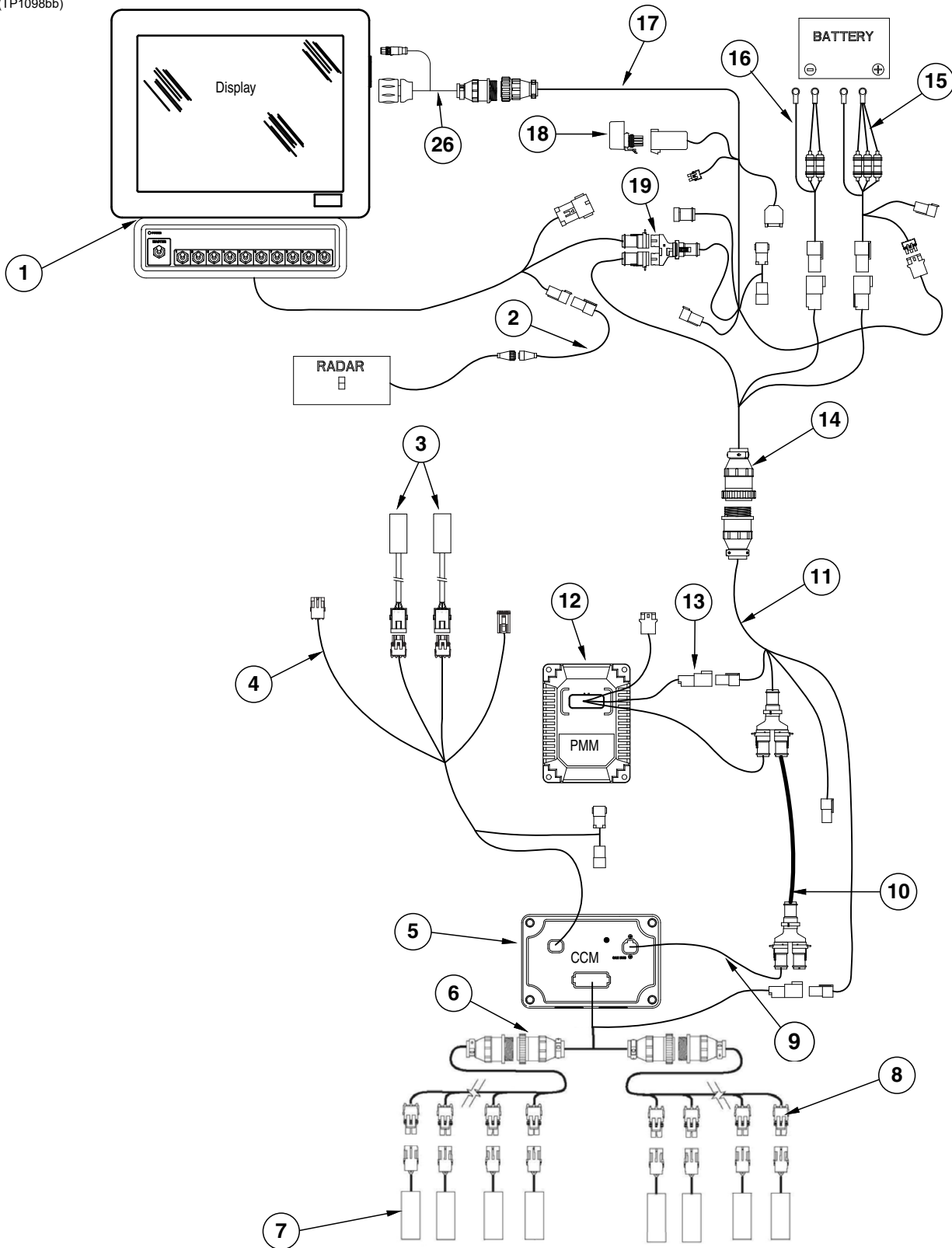


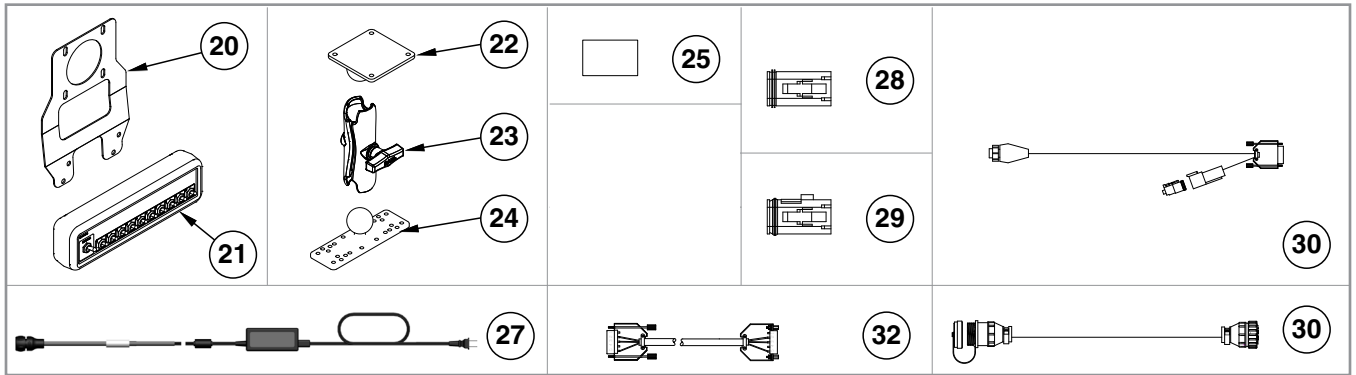
Planter Harness



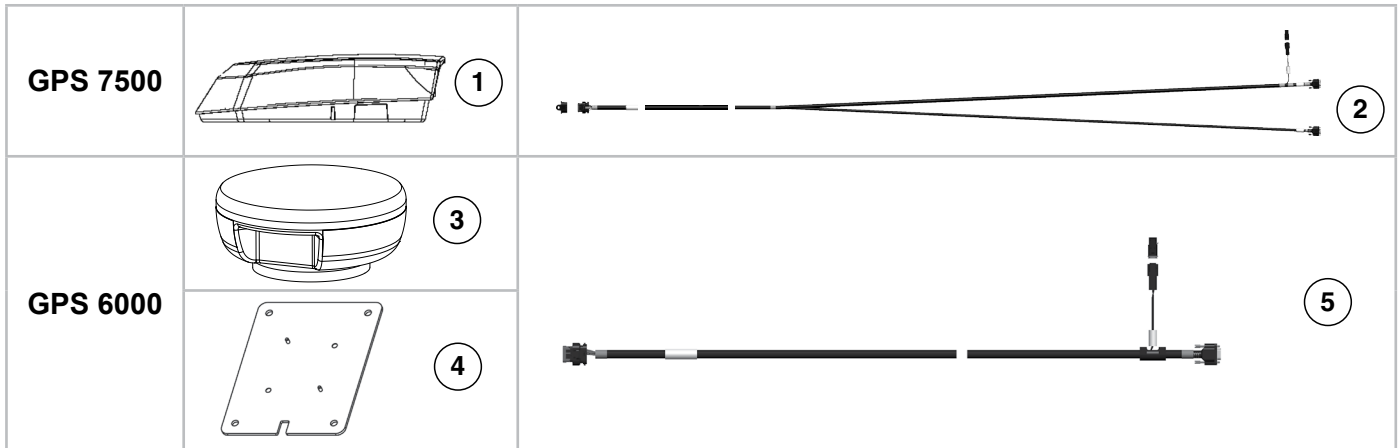
ITEM	PART NO.	QTY.	DESCRIPTION
1	G10686	4	Hex Head Cap Screw, 3/8"-16 x 8"
	G11091	4	Serrated Flange Nut, 3/8"-16
2	GD18118	2	Shaft Sensor Mount
3	GR1415	1	Rotation Sensor
4	GR1414	1	Actuator
5	GD18168	2	Mount
6	G11288	2	Pan Head Screw, No. 10-32 x 1 1/2"
	G10243	2	Washer, No. 10 SAE
	G10758	2	Hex Nut, No. 10-32
7	GD11474	2	Cover
8	G10927	2	Pan Head Machine Screw, No. 8-32 x 1 1/4", Stainless Steel
	G10931	2	Lock Washer, No. 8, Internal/External, Stainless Steel
	G10928	2	Hex Nut, No. 8-32, Stainless Steel
9	GA5600	1	Magnetic Distance Sensor
10	GD8751	-	Magnetic Distance Sensor Pulse Wheel
11	GD6291	-	Insulated Clamp, 3/8"
12	G10001	2	Hex Head Cap Screw, 3/8"-16 x 1"
	G10229	2	Lock Washer, 3/8"
	G10101	2	Hex Nut, 3/8"-16
13	GD8770	1	Bracket
14	GD8771	1	Spring Wave Washer
15	GA8050	-	Planter Harness W/Dust Caps, 16 Row (20 Connectors)
	GB1090	-	Dust Cap (Included W/GA7852)
16	G10745401	-	Seed Tube W/Computerized Sensor
	GA20902	-	Seed Tube (Included W/G10745401)
17	GA7859	-	Magnetic Distance Sensor Adapter (Analog To Digital)
18	G1K248	-	3-Pin Female Connector Kit (Black), Includes: (3) 3-Pin Female Housings, (9) Pin Contacts, (9) Seals
	G1K362	-	3-Pin Female Connector Kit (Blue), Includes: (3) 3-Pin Female Housings, (9) Pin Contacts, (9) Seals
19	G1K252	-	3-Pin Male Connector Kit (Black), Includes: (3) 3-Pin Male Housings, (9) Socket Contacts, (9) Seals
	G1K363	-	3-Pin Male Connector Kit (Blue), Includes: (3) 3-Pin Male Housings, (9) Socket Contacts, (9) Seals
20	GD11089	-	Sealing Plug
21	G10475701	-	Professional Microfiber Duster, 19" (for cleaning Seed Tube sensors)
22	GA8047	-	Dust Plug (Black)
	GA9979	-	Dust Plug (Blue)
23	GA8046	-	Dust Plug (Black)
	GA9978	-	Dust Plug (Blue)
24	GD16598	2	U-Bolt, 4" x 7" x 5/8"-11
	G11415	4	Serrated Flange Nut, 5/8"-11
25	GD19759	2	Module Bracket Mount
26	GD18013	1	Bracket
27	G10171	4	Hex Head Cap Screw, 5/16"-18 x 1 1/4"
	G10620	4	Serrated Flange Nut, 5/16"-18
28	---	-	See "Ag Leader Electric Clutch Package" on page P96
29	G10019	2	Hex Head Cap Screw, 5/16"-18 x 1"
	G10620	2	Serrated Flange Nut, 5/16"-18
30	GA12563	1	
31	GA7854	1	Extension Harness W/Dust Cap, 15'
	GB1090	-	Dust Cap
32	GA16923	-	Dickey John Adapter Cable
A	GA6147	-	Magnetic Distance Sensor And Mounting Package (Items 9-14)

(TP1098bb)



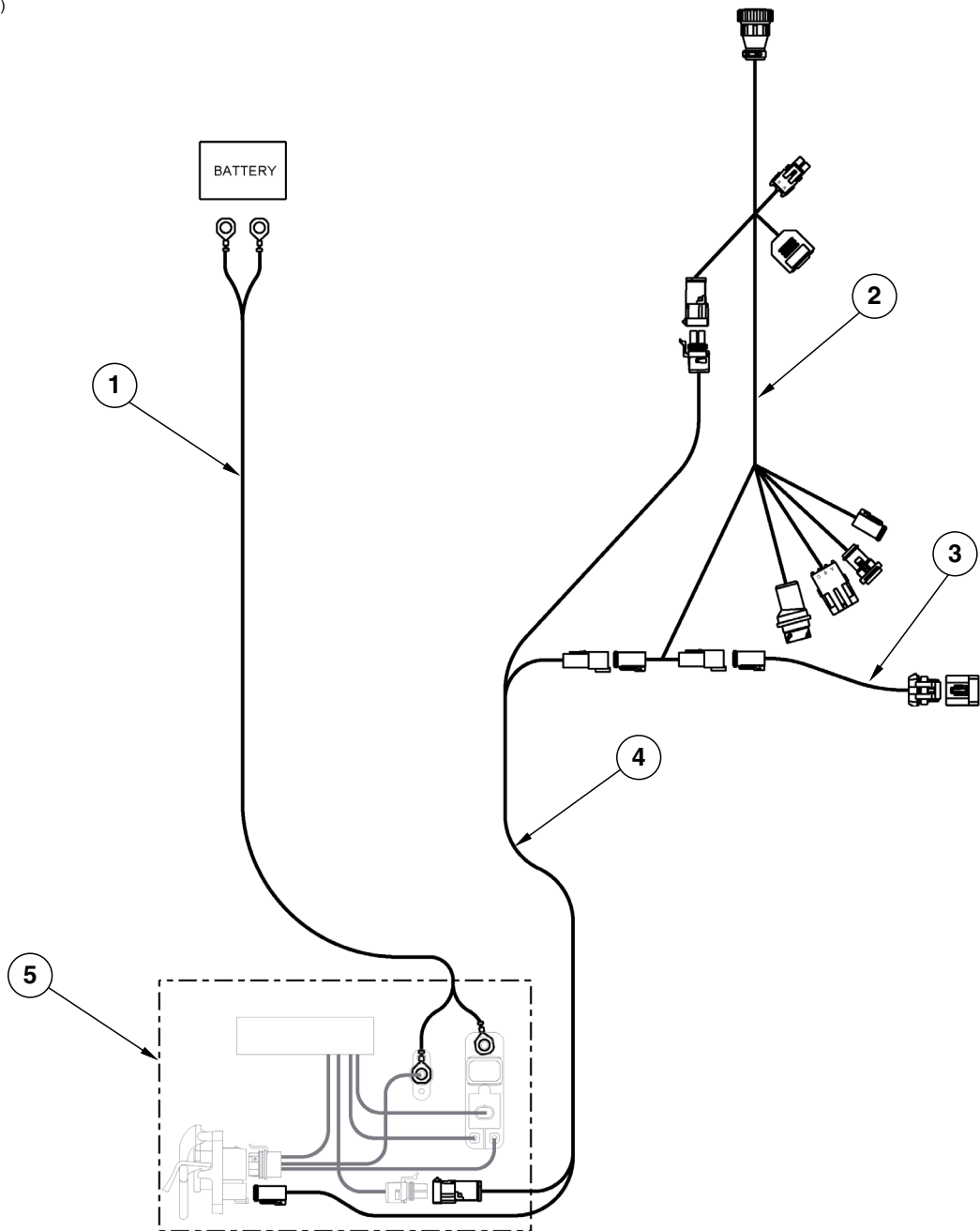


ITEM	PART NO.	QTY.	DESCRIPTION
1	GA24887	1	InCommand Display
2	GA12596	1	Radar Adapter Cable
3	GA16829	1	See "Parallel Arms, Mounting Support Plate, and Quick Adjustable Down Force Springs Option" on page P4
4	GA16826	1	Implement Switch Extension Cable
5	GA12537	1	Clutch Control Module
6	GA16382	1	Section Adapter Cable, 12 Row (2 Row)
7	GA16374	1	See "Ag Leader Electric Clutch" on page P8
8	GA17009	2	Clutch Cable, 12 Row
9	GA12558	1	Can Stub Cable, 8"
10	GA12559	1	Can Extension Cable, 5"
11	GA16349	1	Implement Cable, 168"
12	GA16351	1	Ag Leader Planter Monitor Module
13	GA16352	1	PMM Cable
14	GA14450	1	CAN Adapter Cable
15	GA14452	1	Power Cable
16	GA12598	1	Seed Rate Power Cable
17	GA16831	1	ISOBUS Integra Display Cable
18	GA12540	1	Power Control Relay
19	GD18176	1	Y-Splice Connector
20	GR2279	1	Switch Box Bracket
	G12103	4	Lock Washer, M6
	G12212-08	4	Phillips Pan Head Machine Screw, M6 x 1.0, Grade 2
21	GA12539	1	Switch Box Module
22	GD18408	1	Ram Vesa Base
23	GA12868	1	Mounting Bracket Assembly
24	GD18407	1	Ram Base
25	GA14449	1	Flash Drive
26	GA24652	1	InCommand to Legacy Adapter
27	GA24649	1	Power Supply (InCommand)
28	GR1838	1	Dust Plug
29	GR1839	1	Dust Plug
30	GA13562	1	Cable Extension, 180"
31	GA12852	1	Power Supply (Integra)
32	GA12853	1	Null Modem Cable



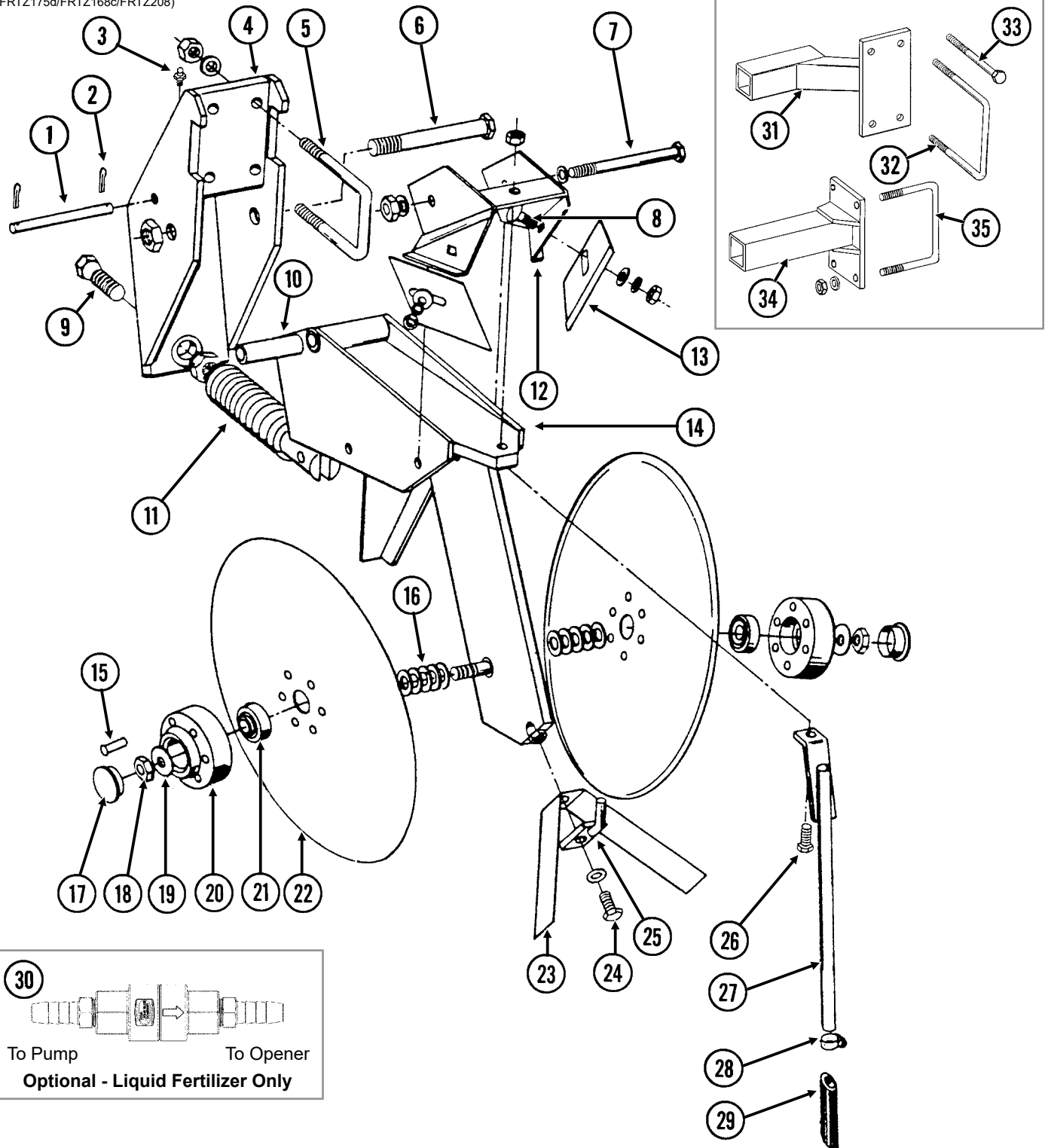
ITEM	PART NO.	QTY.	DESCRIPTION
1	G10201101	1	GPS Kit, 7500
2	G10254701	1	GPS Cable, 7500
3	GA21151	1	GPS Antenna, 6000
4	GA21152	1	GPS Mounting Bracket
5	GA20903	1	GPS Cable, 6000
A	G9421X	-	GPS 6000 Antenna Package (Items 3-5)

(TP1106)



ITEM	PART NO.	QTY.	DESCRIPTION
1	GA16834	1	Battery Cable
2	GA16374	-	See "Ag Leader Electric Clutch Package" on page P96
3	GA16355	1	Terminator Cable
4	GA16832	1	ISO Integra Extension Cable
5	GA16833	1	ISO Connector

(FRTZ175d/FRTZ168c/FRTZ208)

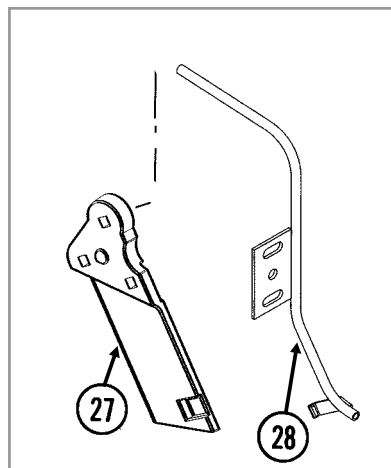
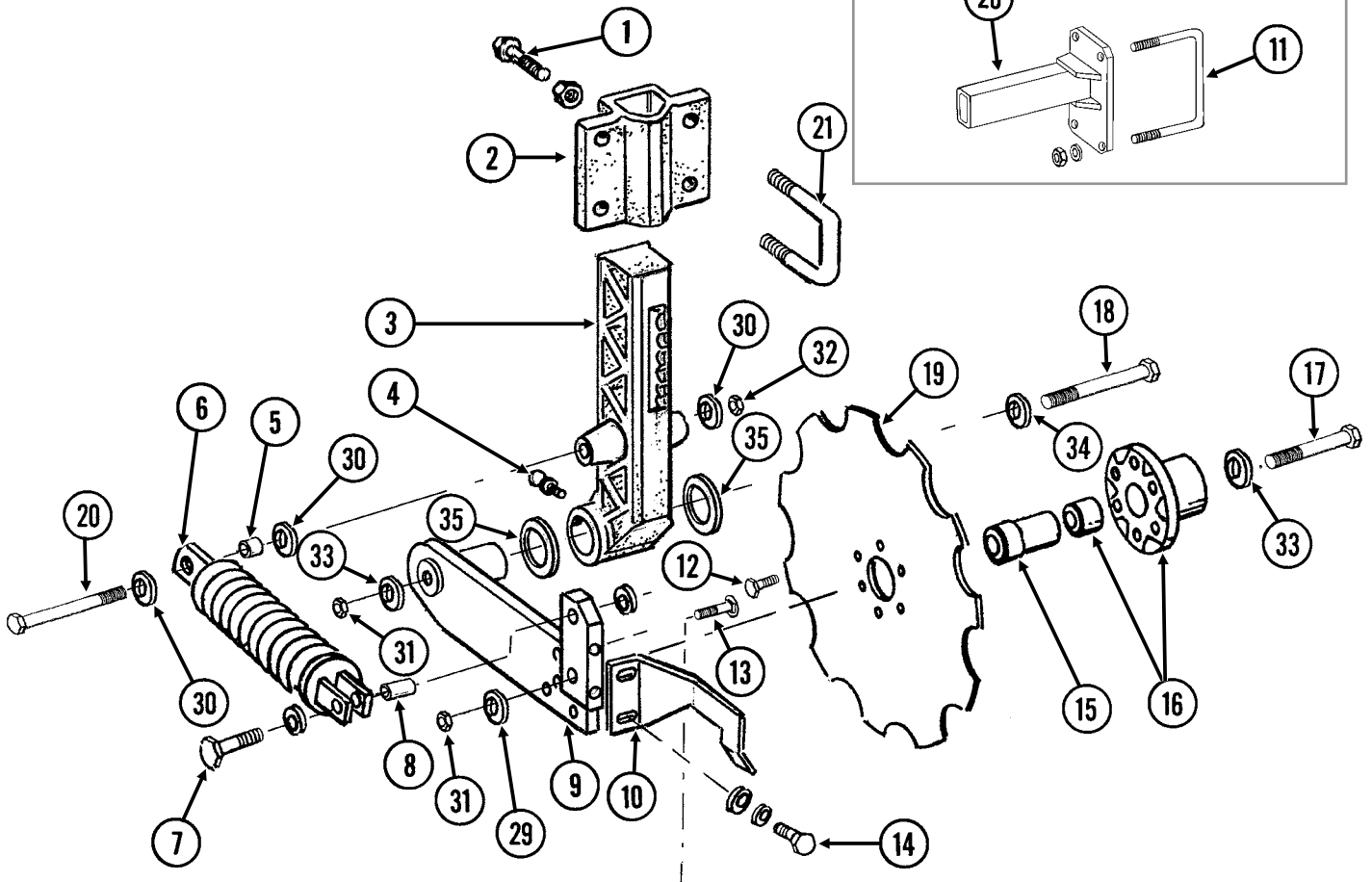
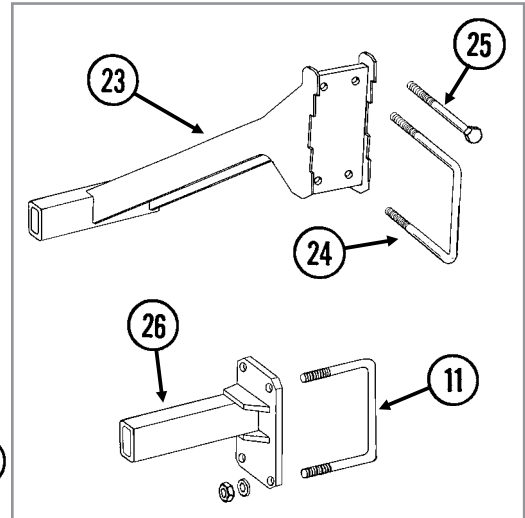
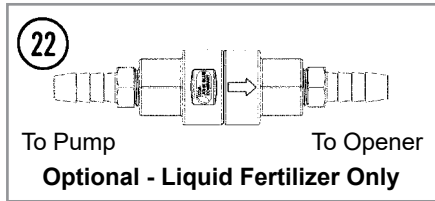


ITEM	PART NO.	QTY. (Per Assy.)	DESCRIPTION
1	GD1657	1	Lockup Pin
2	G10451	2	Cotter Pin, 1/8" x 1"
3	G10938	1	Grease Fitting, 1/4"-28, Taper Threads
4	GA8483	1	Bracket

ITEM	PART NO.	QTY. (Per Assy.)	DESCRIPTION
5	GD1138	2	U-Bolt, 2½" x 2½" x ½"-13
	G10228	4	Lock Washer, ½"
	G10102	4	Hex Nut, ½"-13
6	G10046	1	Hex Head Cap Screw, ⅝"-11 x 5"
	G10107	1	Lock Nut, ⅝"-11
7	G10045	1	Hex Head Cap Screw, ½"-13 x 4½"
	G10111	1	Lock Nut, ½"-13
8	G10305	2	Carriage Bolt, ⅜"-16 x 1"
	G11387	2	Flat Washer, ⅜" SAE
	G10229	2	Lock Washer, ⅜"
	G10101	2	Hex Nut, ⅜"-16
9	GD0962	1	Hex Head Adjusting Bolt, ⅝"-18 x 3¼"
	G10499	1	Hex Jam Nut, ⅝"-18, Grade 2
10	GD0487	1	Bushing, 4¼" I.D. x 3 ½" Long
11	GA0328	1	Spring
12	GA0810	1	Scraper Mount
13	GD1673	2	Scraper
14	GA9195	1	Shank
15	G10542	12	Rivet, ¼" x 1⅝"
16	GD30725	-	Machine Bushing, ⅝" (.030" Thick)
17	GD1132	2	Dust Cap
18	G10503	1	Hex Jam Nut, ⅝"-11, Grade 2
	G10504	1	Hex Jam Nut, ⅝"-11, L.H. Threads, Grade 2
19	G10204	2	Special Machine Bushing, ⅝" x 1" O.D.
20	GB0134	2	Hub
21	GA2014	2	Bearing
22	GD11306	2	Disc Blade, 3.5 mm x 15"
23	GD2589	1	Inner Scraper
24	G10019	1	Hex Head Cap Screw, ⅝"-18 x 1"
	G10232	1	Lock Washer, ⅝"
25	GA0312	1	Mount
26	G10133	1	Hex Head Cap Screw, ⅝"-18 x 1½"
	G11386	1	Flat Washer, ⅝" SAE
	G10109	1	Lock Nut, ⅝"-18, Grade 8
27	GA8685	-	Drop Tube, Liquid Fertilizer
28	G10681	-	Hose Clamp, No. 6
29	GD11705	-	Extension
30	GA15416	-	Check Valve, Low Rate
	GA15415	1	Check Valve
	G11436	2	Hose Barb, ¼" Male NPT To ⅜" Barb
31	GA8081	1	Opener Mount, L.H. (Shown)
	GA8080	-	Opener Mount, R.H.
32	GD1114	2	U-Bolt, 7" x 7" x ⅝"-11
	G10230	4	Lock Washer, ⅝"
	G10104	4	Hex Nut, ⅝"-11
33	G10152	-	Hex Head Cap Screw, ⅝"-11 x 9"
	G10230	-	Lock Washer, ⅝"
	G10104	-	Hex Nut, ⅝"-11
34	GA8099	1	Opener Mount, L.H. (Shown)
	GA8098	-	Opener Mount, R.H.
35	GD11132	2	U-Bolt, 4" x 7" x ½"-13
	G10228	4	Lock Washer, ½"
	G10102	4	Hex Nut, ½"-13
A	GA8845	-	Disc Blade And Bearing Assembly (Items 15 And 20-22)

(FRTZ208/EF71/FRTZ209zzz)

NOTE: R.H. and L.H. is determined by which side of blade it is on in the direction of travel.

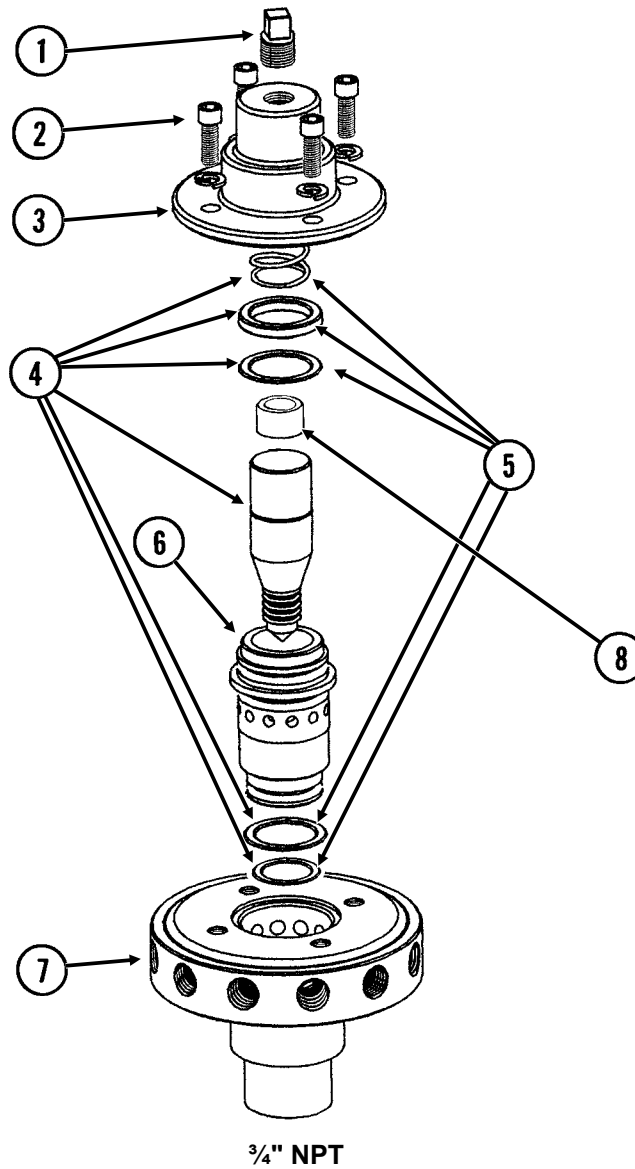


ITEM	PART NO.	QTY. (Per Assy.)	DESCRIPTION
1	G10017	3	Hex Head Cap Screw, 1/2"-13 x 1 1/2"
	G10102	3	Hex Nut, 1/2"-13
2	GB0405	1	Mount, L.H. (Shown)
	GB0400	-	Mount, R.H.
3	GB0296	1	Arm, 13 1/2"
4	G10640	1	Grease Fitting, 1/4"-28
5	GD12685	1	Bushing, 3/4" O.D. x 1/2" Long
6	GA6966	1	Compression Spring Assembly
7	G10047	1	Hex Head Cap Screw, 3/8"-16 x 1 3/4"
	G11387	2	Flat Washer, 3/8" SAE
	G10108	1	Lock Nut, 3/8"-16
8	GD1026	1	Sleeve, 1 3/16" Long
9	GA9433	1	Pivot Arm, L.H.
	GA9434	-	Pivot Arm, R.H. (Shown)
10	GD11557	1	Scraper, L.H.
	GD11558	-	Scraper, R.H. (Shown)
11	GD11132	-	U-Bolt, 4" x 7" x 1/2"-13
	G10228	-	Lock Washer, 1/2"
	G10102	-	Hex Nut, 1/2"-13
12	G10002	6	Hex Head Cap Screw, 3/8"-16 x 3/4"
13	G10306	3	Carriage Bolt, 3/8"-16 x 2"
	G10108	3	Lock Nut, 3/8"-16
14	G10991	2	Hex Head Cap Screw, 5/16"-18 x 7/8"
	G10232	2	Lock Washer, 5/16"
	G11386	6	Flat Washer, 5/16" SAE
15	GD12679	1	Stepped Spacer, 3" Long
16	GA9437	1	Hub W/Bearing
	GA8603	-	Bearing, Double Row
17	G10011	1	Hex Head Cap Screw, 5/8"-11 x 5 1/2"
18	G10046	1	Hex Head Cap Screw, 5/8"-11 x 5"
19	GD12676	1	Disc Blade, Notched, 16 3/4"
20	G10871	1	Hex Head Cap Screw, 1/2"-13 x 6"
21	GD13287	2	U-Bolt, 1 1/2" x 2 1/2" x 1/2"-13
	G11389	4	Flat Washer, 1/2" Plated SAE
	G10111	4	Lock Nut, 1/2"-13
22	GA15416	-	Check Valve, Low Rate
	GA15415	1	Check Valve
	G11436	2	Hose Barb, 1/4" Male NPT To 3/8" Barb
23	GA9457	-	Opener Mount, L.H.
	GA9456	-	Opener Mount, R.H. (Shown)
24	GD1114	-	U-Bolt, 7" x 7" x 5/8"-11
	G10230	-	Lock Washer, 5/8"
	G10104	-	Hex Nut, 5/8"-11
25	G10152	-	Hex Head Cap Screw, 5/8"-11 x 9"
	G10230	-	Lock Washer, 5/8"
	G10104	-	Hex Nut, 5/8"-11
26	GA9454	-	Opener Mount, R.H. (Shown)
	GA9455	-	Opener Mount, L.H.
27	GB0323	1	Knife, L.H. (Shown)
	GB0322	-	Knife, R.H.
28	GA12108	1	Drop Tube, Liquid Fertilizer (Shown)
	GA12109	-	Drop Tube, Liquid Fertilizer
29	GD12677	-	Washer, 1 1/2" O.D., 7 Gauge, Hardened

ITEM	PART NO.	QTY. (Per Assy.)	DESCRIPTION
30	G11389	-	Flat Washer, 1/2" SAE
31	G10107	-	Lock Nut, 5/8"-11
32	G10111	-	Lock Nut, 1/2"-13
33	G11391	-	Flat Washer, 5/8" SAE
34	G10217	-	Washer, 5/8" USS
35	G10450	-	Machine Bushing, 1 1/2", 18 Gauge (As Required)

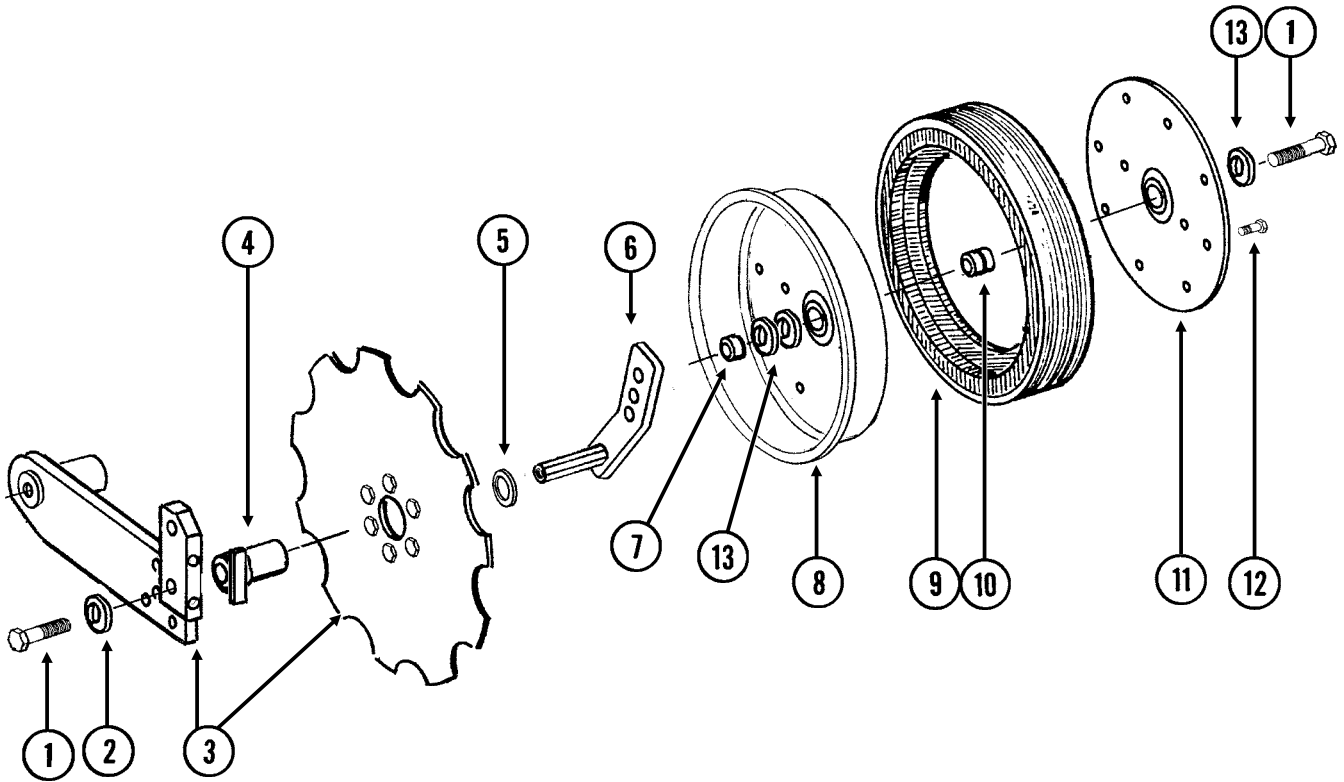
(FRTZ202c)

Model FD-1200 Flow Divider, 12 Outlet



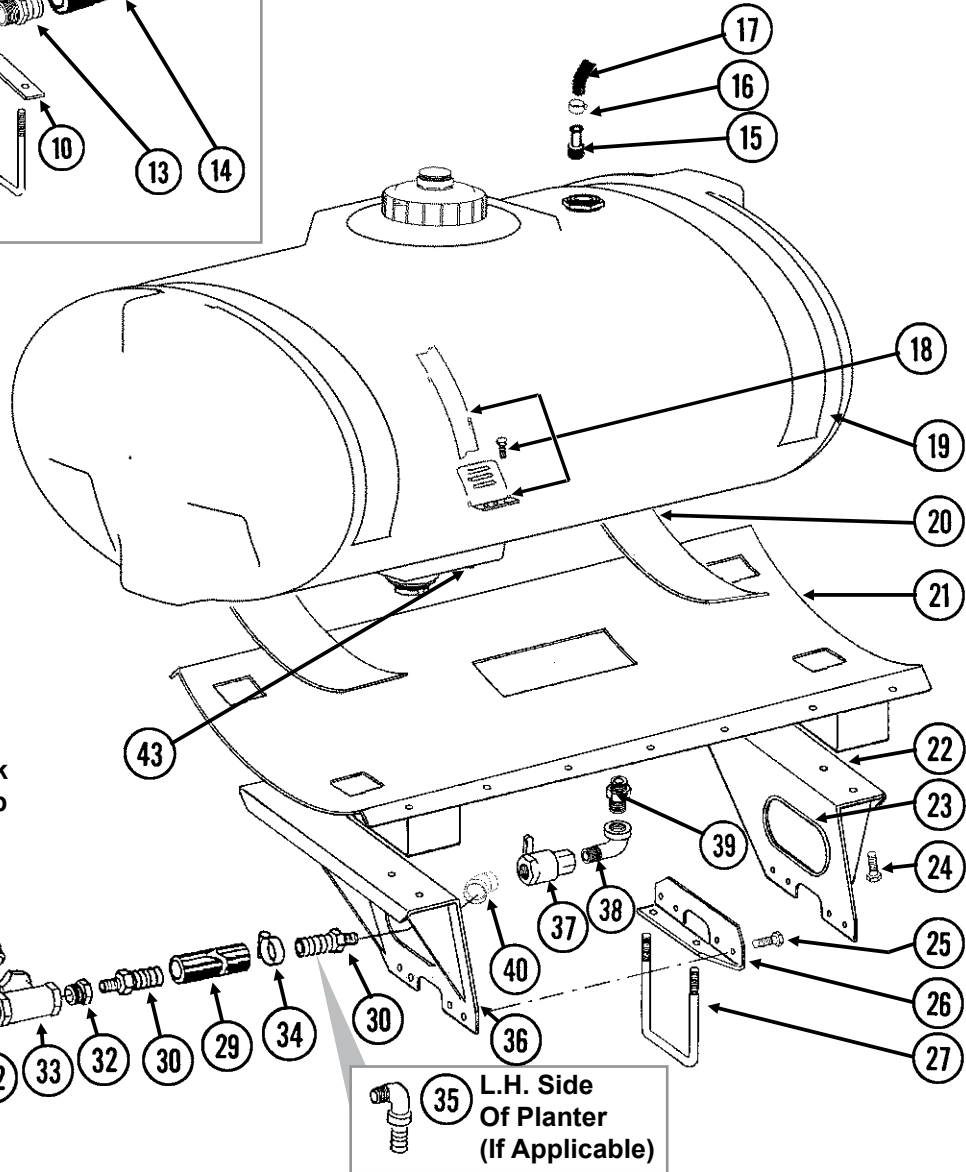
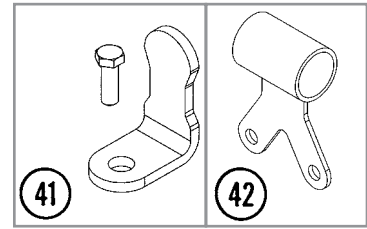
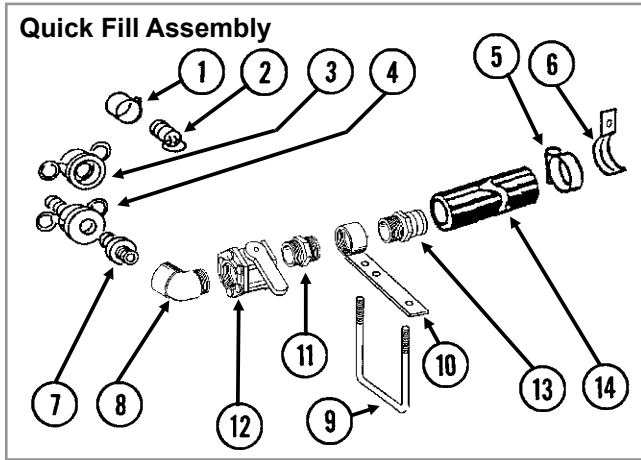
ITEM	PART NO.	QTY.	DESCRIPTION
1	GR1543	1	Vent Plug
2	GR1542	4	Hex Socket Head Screw, 1/4"-20 x 3/4"
	GR1541	4	Lock Washer, 1/4", Stainless Steel
3	GR1540	1	Cap
4	GR1544	1	Needle Assembly W/Seal Kit
5	GR1545	1	Seal Kit, Includes: (3) O-Rings, (1) Seal, (1) Spring
6	GR1535	1	Sleeve
7	GR1533	1	Body (12 Outlets)
8	GR1574	1	Sleeve, 1" O.D. x 1/2" Long, Stainless Steel
A	GA8931	1	Liquid Fertilizer Piston Pump Flow Divider Complete, 12 Outlet (Model FD-1200)

(FRTZ256)



ITEM	PART NO.	QTY. (Per Assy.)	DESCRIPTION
1	G10010	2	Hex Head Cap Screw, 5/8"-11 x 3"
2	G11391	1	Flat Washer, 5/8" SAE
3	---	-	See "Notched Single Disc Fertilizer Opener" on page P102
4	GA9472	1	Blade Mount
5	G10233	1	Machine Bushing, 1", 10 Gauge
6	GA10037	1	Wheel Mount, L.H. (Shown)
	GA10036	1	Wheel Mount, R.H.
7	GD13309	1	Spacer
8	GD31466	1	Half Wheel, Black
9	GD11953	1	Offset Tire
10	GA6171	1	Bearing
11	GD26598	1	Half Wheel Cover, Black
12	G10961	11	Flanged Whiz Lock Screw, 5/16"-18 x 3/4", No Serration
	G10620	11	Serrated Flange Nut, 5/16"-18
13	G10204	-	Special Machine Bushing, 5/8" x 1" O.D. (As Required)
A	GA18311	-	Gauge Wheel Complete (Items 8-12)

(FRTZ170r/PT51)



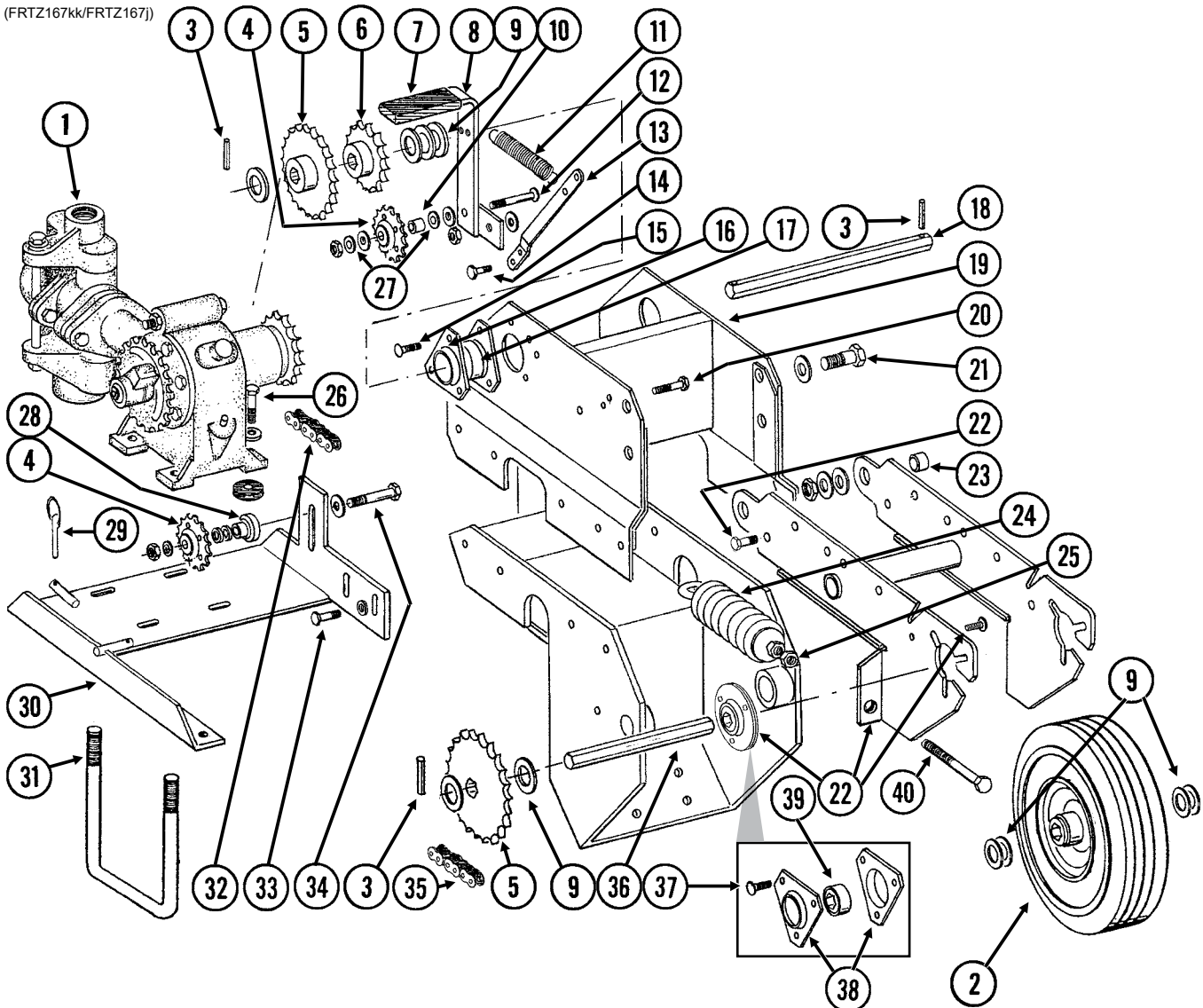
To Second Tank
To Piston Pump
To Quick Fill

35 L.H. Side Of Planter (If Applicable)

ITEM	PART NO.	QTY.	DESCRIPTION
1	G10672	1	Hose Clamp, No. 28
2	GD10777	1	Dust Plug, 2" Male Cam Lock
3	GD3622	1	Adapter, 2" Female NPT To Cam Lock
4	GD3951	1	Dust Cap, 2" Cam Lock
5	G10676	2	Hose Clamp, No. 36, Stainless Steel
6	GD11235	1	Hose Clamp, 2" (If Applicable)
7	GD3623	1	Adapter, 2" Male NPT To Cam Lock
8	G10889	1	Elbow, 45°, 2" Male NPT To Female
9	GD1114	1	U-Bolt, 7" x 7" x 5/8"-11
	G10230	2	Lock Washer, 5/8"
	G10104	2	Hex Nut, 5/8"-11

ITEM	PART NO.	QTY.	DESCRIPTION
10	GA8082	1	Quick Fill Mount, 2" NPT
11	G10623	1	Close Nipple, 2" NPT
12	GA2660	1	Shutoff Valve, 2" NPT
13	G10628	1	Adapter, 2" NPT To Barb
14	G4201-04	1	Hose, 2" x 15'
15	G10626	2	Adapter, 1 1/4" NPT to Barb
16	G10674	2	Hose Clamp, No. 24
17	G4602-02	-	Hose, 1 1/4" x 22'
18	GA8114	2	Tank Mounting Hardware Package, Includes: (2) Straps, (4) Anchors, (8) Hex Head Tap Bolts, (8) Lock Nuts
	G10485	-	Hex Head Tap Bolt, 3/8"-16 x 5"
	G10901	-	Lock Nut W/Nylon Insert, 3/8"-16
19	GA14115	2	Tank W/Lid And Fittings, 200 Gallon
	GA16428	1	Lid, 7" (Top Of Tank) W/Vacuum Breaker (Included W/GA14115)
	GA16157	-	Vacuum Breaker (Included W/GA16428)
	GR1708	-	3/4" Bulkhead Fitting Assembly (Overflow Fitting, Nut, Bushing, and O-Ring) (Included W/GA14115)
	GR1919	-	1 1/2" Bulkhead Fitting Assembly (Included W/GA14115)
	GR1709	-	1 1/4" Bulkhead Fitting Assembly (Nut, Bushing And O-Ring) (End Of Tank) (Included W/GA14115)
	GR1941	-	Seal (Included W/GA14115)
20	GD1862	-	Pad, 8" x 14'
21	GA8088	2	Tank Saddle
22	GA8086	2	Saddle Mount, R.H.
23	G4425-01	4	Molding, 3/16" x 26"
24	G10017	16	Hex Head Cap Screw, 1/2"-13 x 1 1/2"
	G11389	32	Flat Washer, 1/2" SAE
	G10228	16	Lock Washer, 1/2"
	G10102	16	Hex Nut, 1/2"-13
25	G10004	16	Hex Head Cap Screw, 3/8"-16 x 1 1/4"
	G10229	16	Lock Washer, 3/8"
	G10101	16	Hex Nut, 3/8"-16
26	GA8156	1	Bracket, R.H., 8 Row Only
	GA8155	-	Bracket, L.H., 8 Row Only (Shown)
27	GD1114	1	U-Bolt, 7" x 7" x 5/8"-11 (8 Row Only)
	G10230	2	Lock Washer, 5/8"
	G10104	2	Hex Nut, 5/8"-11
28	G11342	1	Tee, 1 1/2" Barb
29	G4202-05	1	Hose, 1 1/2" x 15'
30	G10627	3-4	Adapter, 1 1/2" NPT To Barb
31	G10630	1	Elbow, 90°, 2" NPT To Barb
32	G11308	2	Reducing Bushing, 2" Male NPT To 1 1/2" Female
33	G10888	1	Tee, 2" Female NPT
34	G10672	10	Hose Clamp, No. 28
35	G11353	1	Elbow, 90°, 1 1/2" NPT To Barb
36	GA8087	2	Saddle Mount, L.H.
37	GA13622	2	Shutoff Valve, 1 1/2" NPT
	GR1015	-	Body O-Ring
	GR1016	-	Stem O-Ring
	GR1017	-	Teflon Seal
	GR1018	-	Ball
	GR1019	-	Handle
38	G11353	2	Elbow, 90°, 1 1/2" NPT To Barb
39	G11306	3	Close Nipple, 1 1/2" NPT
40	G11354	2	Elbow, 1 1/2" NPT, 45°
41	GD20060	2	Hose Bracket
	G10857	2	Hex head Cap Screw, 1/4"-20 x 1 1/4"
	G10103	2	Hex Nut, 1/4"-20
	G10227	2	Lock Washer, 1/4"
42	GA14158	2	Hose Guide
43	G10096	2	Pipe Plug, 3/4" NPT

(FRTZ167kk/FRTZ167j)



ITEM	PART NO.	QTY.	DESCRIPTION
1	---	-	See "Liquid Fertilizer Piston Pump (Uses 18 Tooth Sprocket)" on page P116
2	GA5090	1	Tire And Rim Assembly (Specify Brand*)
	GD5753	-	Tire, 4.10" x 6" (Specify Brand*) (Included W/GA5090)
	GD5752	-	Inner Tube (Included W/GA5090)
3	G10602	4	Spring Pin, 1/4" x 1 1/2"
4	GA7154	2	Sprocket W/Bearing, 18 Tooth
5	GA5202	2	Sprocket, 34 Tooth
6	GA5109	1	Sprocket, 24 Tooth
7	GD5827	1	Cover
8	GA8084	1	Arm
9	G10233	9	Machine Bushing, 1", 10 Gauge
10	GD11963-01	1	Spacer, 1 1/16"
11	GD5857	1	Spring
12	G10306	1	Carriage Bolt, 3/8"-16 x 2"
	G11387	2	Flat Washer, 3/8" SAE
	G10108	1	Lock Nut, 3/8"-16
13	GD5860	1	Bar

Liquid Fertilizer Piston Pump Drive

M0310-02

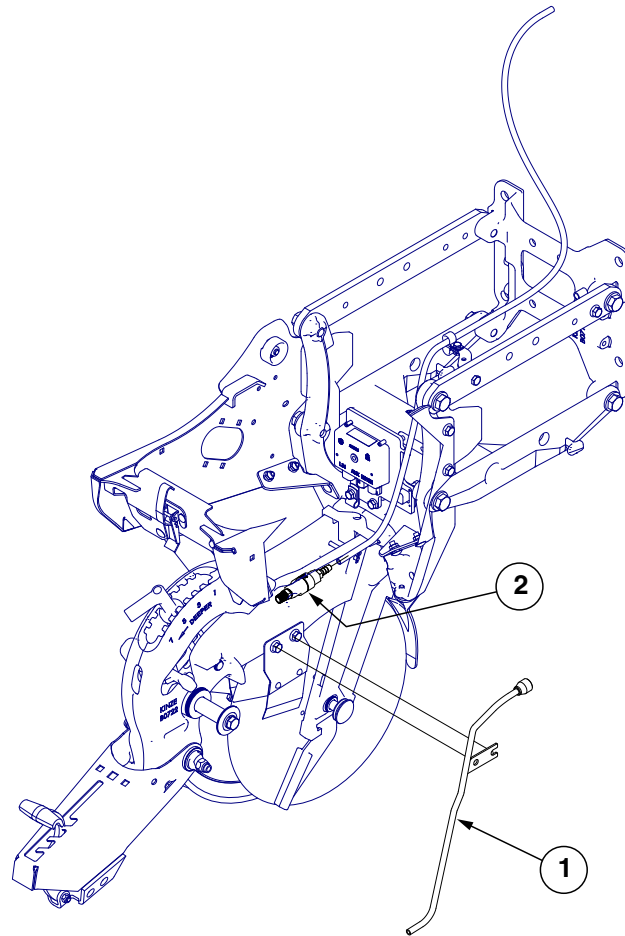
Model 3205

ITEM	PART NO.	QTY.	DESCRIPTION
14	G10023	2	Hex Head Cap Screw, ¼"-20 x ¾"
	G10227	2	Lock Washer, ¼"
	G10103	2	Hex Nut, ¼"-20
15	G10303	6	Carriage Bolt, ⅝"-18 x 1"
	G10232	6	Lock Washer, ⅝"
	G10106	6	Hex Nut, ⅝"-18
16	G3400-01	4	Flangette
17	G2100-03	2	Bearing, ⅞" Hex Bore, Spherical
18	GD6825-12.25	1	Hex Shaft, ⅞" x 12¼" (2 Holes)
19	GA5118	1	Mount
20	G10001	1	Hex Head Cap Screw, ⅜"-16 x 1"
	G10370	1	Machine Bushing, ⅜", 22 Gauge
	G10229	1	Lock Washer, ⅜"
	GD5756	1	Special Nut, ⅜"-16
21	G10751	2	Hex Head Cap Screw, ⅝"-18 x 1¾"
	G10235	6	Machine Bushing, ⅞", 14 Gauge
	G11391	2	Flat Washer, ⅝" SAE
	G10412	2	Lock Nut, ⅝"-18
22	*A7370	1	Arm W/Flanged Bearings And Hardware (Non-Stock Item) (Sub G1K253)
	G10303	6	Carriage Bolt, ⅝"-18 x 1" (Included W/A7370)
	G10232	6	Lock Washer, ⅝" (Included W/A7370)
	G10106	6	Hex Nut, ⅝"-18 (Included W/A7370)
	GA9846	-	Flanged Bearing, ⅞" Hex Bore (Included W/A7370)
	G10055	2	Hex Head Cap Screw, ⅝"-11 x 1¼" (Stop Bolt) (Included W/A7370)
	G10107	2	Lock Nut, ⅝"-11 (Included W/A7370)
23	GB0218	2	Bushing, 2½" I.D. x ⅞" O.D. x 1½" Long
24	GA2068	1	Spring W/Plug
25	G10501	2	Hex Jam Nut, ½"-13, Grade 2
26	G10003	4	Hex Head Cap Screw, ⅜"-16 x 1½"
	G11387	4	Flat Washer, ⅜" SAE
	GR1122	4	Mounting Pad
	G10229	4	Lock Washer, ⅜"
	G10101	4	Hex Nut, ⅜"-16
27	G10207	2	Washer, ⅞" O.D. x 1½" I.D. x .134"
28	GB0258	1	Stepped Spacer, ⅞"
29	GD2558	1	Lynch Pin, ¼"
30	GA8168	1	Pump Mount
31	GD7145	1	U-Bolt, 7" x 7" x ½"-13
	G10228	2	Lock Washer, ½"
	G10102	2	Hex Nut, ½"-13
32	G3310-66	1	Chain, No. 40, 66 Pitch Including Connector Link
	GR0912	-	Connector Link, No. 40
33	G10003	8	Hex Head Cap Screw, ⅜"-16 x 1½"
	G11387	2	Flat Washer, ⅜" SAE
	G10229	8	Lock Washer, ⅜"
	G10101	8	Hex Nut, ⅜"-16
34	G10038	1	Hex Head Cap Screw, ½"-13 x 3"
	G11389	2	Flat Washer, ½" SAE
	G10228	1	Lock Washer, ½"
	G10102	1	Hex Nut, ½"-13
35	G3310-139	1	Chain, No. 40, 139 Pitch Including Connector Link And Offset Link
	GR0912	-	Connector Link, No. 40
	GR0911	-	Offset Link, No. 40
36	GD6825-10.5	1	Hex Shaft, ⅞" x 10½" (2 Holes)

ITEM	PART NO.	QTY.	DESCRIPTION
37	G10303	6	Carriage Bolt, 5/16"-18 x 1"
	G11386	6	Flat Washer, 5/16" SAE
	G10232	6	Lock Washer, 5/16"
	G10106	6	Hex Nut, 5/16"-18
38	G3400-01	4	Flangette
39	G2100-03	2	Bearing, 7/8" Hex Bore, Spherical
40	G10890	2	Hex Head Adjusting Bolt, 1/2"-13 x 4", Grade 2
A	G1K253	-	Contact Wheel Arm Replacement Kit (Items 3, 22, 25, 36 And 40)

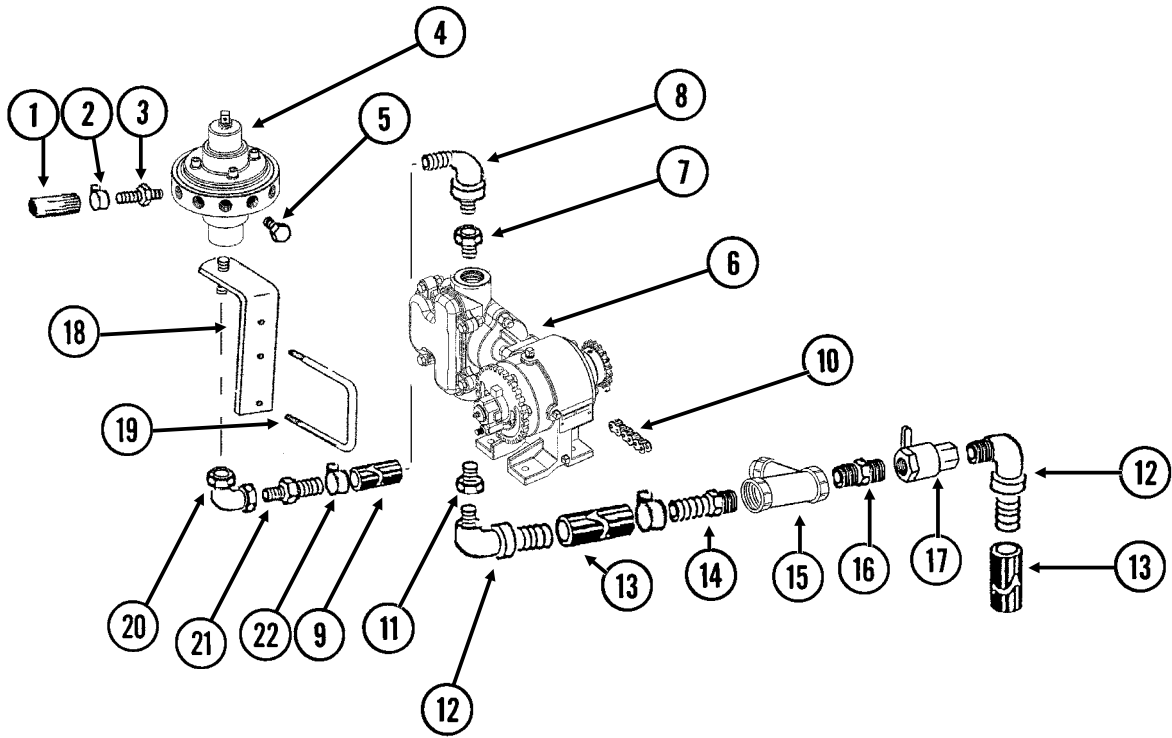
***Specific brand requests will be supplied only as available from current Kinze Repair Parts stock. If a specific brand requested is not in stock, the brand available will be supplied. Different brand tires may have different diameters. Change in tire brands may affect rates. Field checks are recommended after any change in contact tires.**

(A18821a)



ITEM	PART NO.	QTY.	DESCRIPTION
1	GA18822	-	Liquid Fertilizer Tube
2	GA20583	-	Check Valve Assembly

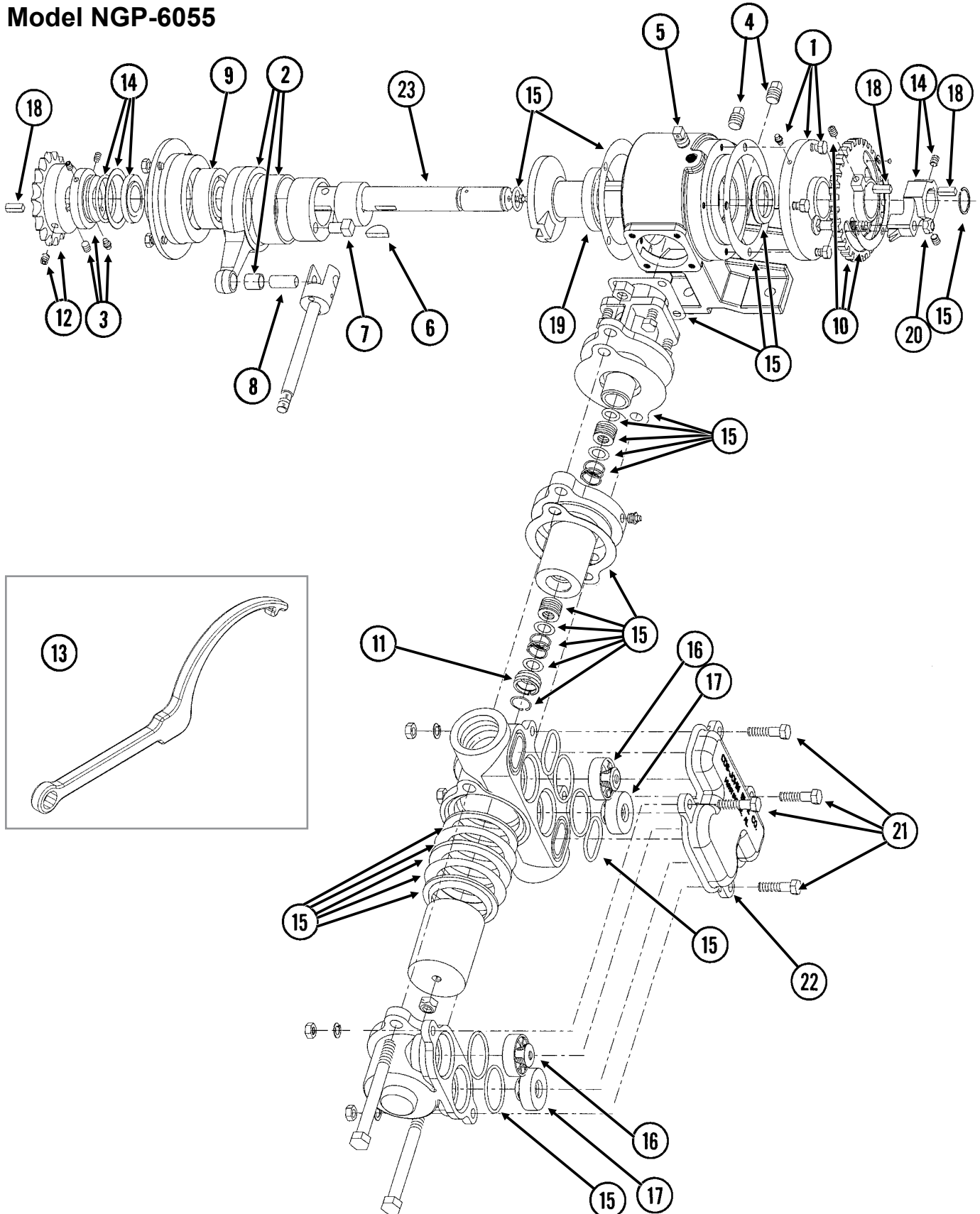
(FRTZ295)



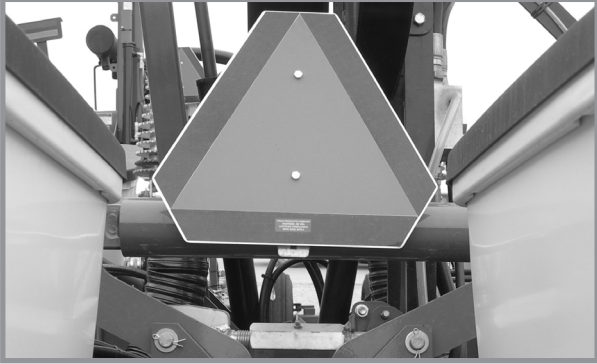
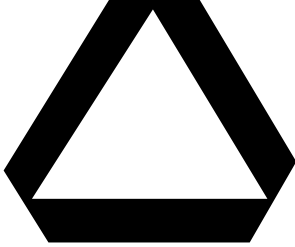


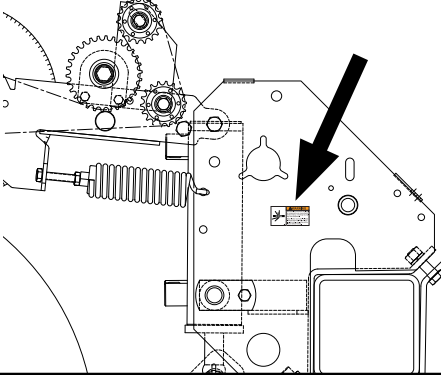



ITEM	PART NO.	QTY.	DESCRIPTION
1	G4301-06	1	Hose, 3/8" x 160'
2	G10681	24	Hose Clamp, No. 6
3	GD11700	12	Adapter, 1/4" NPT To 3/8" Barb
4	---	-	See "Liquid Fertilizer Piston Pump Flow Divider" on page P105
5	G10292	-	Pipe Plug, 1/4" NPT
6	---	-	See "Liquid Fertilizer Piston Pump (Uses 18 Tooth Sprocket)" on page P116
7	G11237	1	Reducing Bushing, 1 1/2" Male NPT To 3/4" Female
8	G10917	1	Elbow, 90°, 3/4" NPT To Barb
9	G4205-04	-	Hose, 3/4" x 36"
10	---	-	See "Liquid Fertilizer Piston Pump Drive" on page P110
11	G10615	1	Reducing Bushing, 1 1/2" Male NPT To 1 1/4" Female
12	G10629	2	Elbow, 90°, 1 1/4" NPT To Barb,
13	---	-	See "Liquid Fertilizer Tanks, Saddles, Saddle Mounts, and Hoses" on page P108
14	G10626	1	Adapter, 1 1/4" NPT To Barb
15	GA3893	1	Strainer Complete
	GR0880	-	Screen, No. 40 Mesh (Included W/GA3893)
	GR0881	-	Gasket (Included W/GA3893)
	GR0882	-	Y-Body (Included W/GA3893)
	GR0883	-	End Cap (Included W/GA3893)
16	G10619	1	Close Nipple, 1/4" NPT
17	GA4976	2	Shutoff Valve, 1/4" NPT
	GR1015	-	Body O-Ring (Included W/GA4976)
	GR1016	-	Stem O-Ring (Included W/GA4976)
	GR1017	-	Teflon Seal (Included W/GA4976)
	GR1018	-	Ball (Included W/GA4976)
	GR1019	-	Handle (Included W/GA4976)
18	GA6527	1	Mount, 3/4" NPT
19	GD1114	1	U-Bolt, 7" x 7" x 5/8"-11
	G10230	2	Lock Washer, 5/8"
	G10104	2	Hex Nut, 5/8"-11
20	G10733	1	Elbow, 90°, 3/4" Female NPT
21	G10734	1	Adapter, 3/4" NPT To Barb
22	G10278	2	Hose Clamp, No. 16

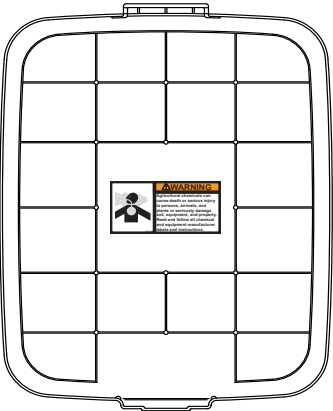


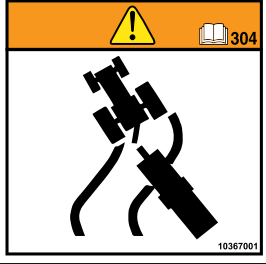
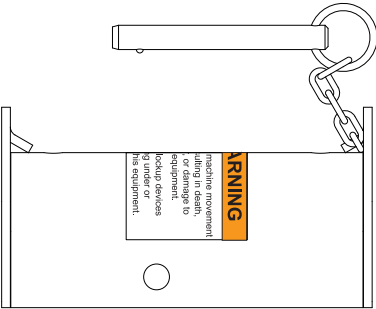


(A12335a/GR1808)

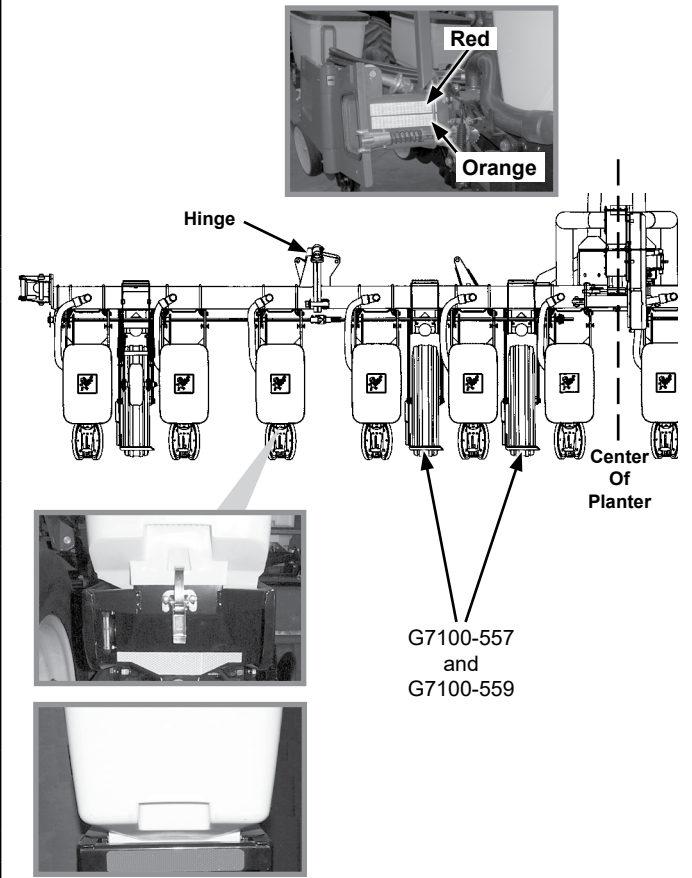

Model NGP-6055

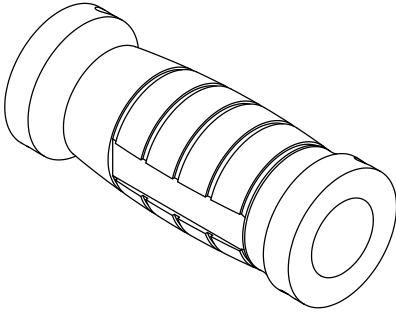
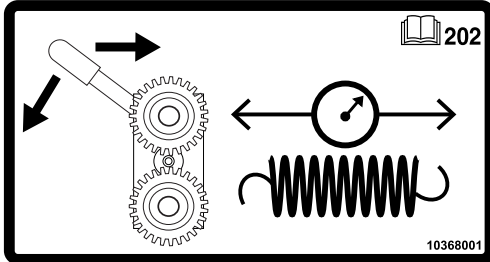


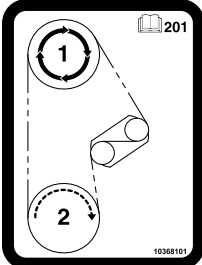


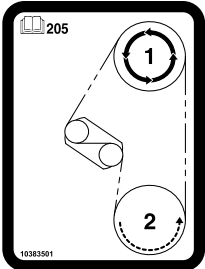
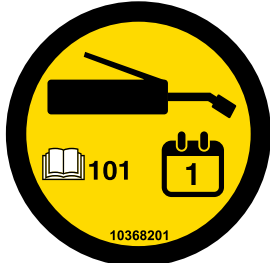
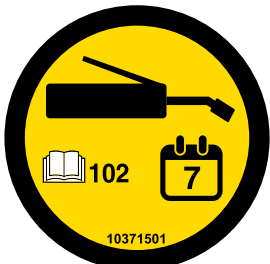



ITEM	PART NO.	QTY.	DESCRIPTION
1	GR1804	1	Flange Cover Assembly
	G10991	4	Hex Head Cap Screw, 5/16"-18 x 7/8"
2	GR1802	1	Connecting Rod Assembly
3	GR1801	1	Spacer Assembly
	G10693	3	Hex Socket Head Set Screw, 5/16"-18 x 3/8"
4	GR1123	2	Plug
5	GR1543	1	Vent Plug
6	GR1112	1	Woodruff Key
7	GR1120	1	Eccentric Pin
8	GR1124	1	Pin
9	GR1104	1	Bearing
10	GR1805	1	Setting Hub Assembly
11	GR1134	1	Stuffing Box Insert
12	GR1389	1	Sprocket, 18 Tooth
13	GR1808	1	Adjustment Wrench
14	GR1806	1	Setting Pointer Assembly
15	GR1795	1	Repair Kit, Includes: (6) Gaskets, (9) O-Rings, (4) Washers, (1) Retaining Ring, (2) Oil Seals, (1) Snap Ring, (1) Thrust Washer, (1) Rod Bushing, (2) Flange Plunger Packings, (2) Packing Springs, (2) Rod Vee Packing Sets
16	GR1799	2	Discharge Valve Assembly
17	GR1797	2	Suction Valve Assembly
18	GR1118	3	Setting Arm Key
19	GR1116	1	Bearing
20	G10306	1	Carriage Bolt, 3/8"-16 x 2"
	G10108	1	Lock Nut, 3/8"-16
21	G10003	4	Hex Head Cap Screw, 3/8"-16 x 1 1/2"
	G11387	4	Flat Washer, 3/8" SAE
	G10229	4	Lock Washer, 3/8"
	G10101	4	Hex Nut, 3/8"-16
22	GR2003	1	Valve Cover
23	GR2185	1	Crankshaft
A	GA12330	-	Piston Pump Complete W/18 Tooth Sprocket (Model NGP-6055)

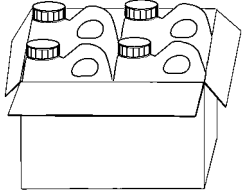



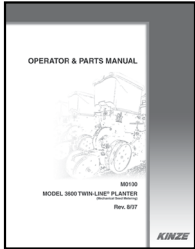
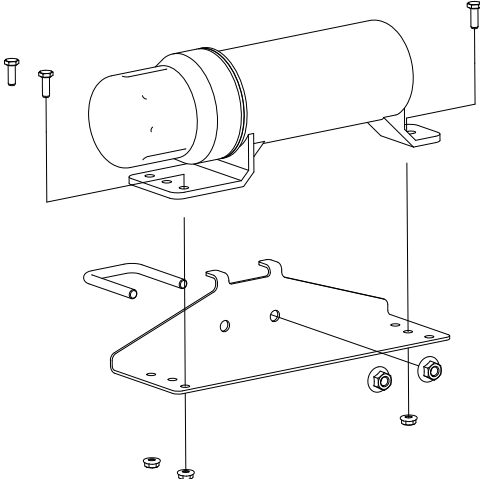
	 <p>Part No.: GD2199 Description: SMV Sign Quantity: 1</p>
	 <p>Part No.: G10366901 Description: Decal, Warning (2021 Production and on) Quantity: 1 (Per Row Marker Cylinder - Conventional) 4 (2 Per Row Marker)</p>
	 <p>Part No.: G10366801 Description: Decal, Warning (2021 Production and on) Quantity: 1 (Per Contact Wheel Assembly)</p>
	 <p>Part No.: G7100-388 Description: Decal, Caution Quantity: 1</p>


	 <p>Part No.: G10367601 Description: Decal, Chemical Warning (2021 Production and on) Quantity: 1 (1 Per Row Unit - Located On Underside Of Granular Chemical Hopper Lid)</p>
	 <p>Part No.: G10367001 Description: Decal, Warning (2021 Production and on) Quantity: 1</p>
	 <p>Part No.: G10367401 Description: Decal, Crush Warning (2021 Production and on) Quantity: 1</p>
	<p>Part No.: G10367201 Description: Decal, Warning Quantity: 1</p>

 <p>Hinge</p> <p>Red</p> <p>Orange</p> <p>Center Of Planter</p> <p>G7100-557 and G7100-559</p>	<div style="background-color: #cccccc; width: 100px; height: 20px; margin-bottom: 10px;"></div> <p>Part No.: G7100-557 Description: Reflective Decal, Red, 2" x 9" Rectangular Quantity: 2 (One Located On Top Of Rear Side Of Planter Toolbar On Each Side Of Planter)</p> <p>4 (Rear-Facing In Transport Position - Two Located On Top Of Rear Side Of Tire Scraper On Each Side Of Planter)</p> <hr/> <p>Part No.: G7100-558 Description: Reflective Decal, Amber, 2" x 9", Rectangular Quantity: 2 (Forward-Facing In Transport Position - One Located On The Granular Chemical Hopper Panel Extension On First Row Unit On Outer Side Of Hinge On Each Side Of Planter) (If Applicable)</p> <hr/> <p>Part No.: G7100-559 Description: Reflective Decal, Orange, 2" x 9" Rectangular Quantity: 2 (One Located On Bottom Of Rear Side Of Planter Toolbar On Each Side Of Planter)</p> <p>4 (Rear-Facing In Transport Position - Two Located On Bottom Of Rear Side Of Tire Scraper On Each Side Of Planter)</p> <div style="background-color: #cccccc; width: 100px; height: 20px; margin-top: 10px;"></div> <hr/> <p>Part No.: G7100-262 Description: Reflective Decal, Amber, 1¼" x 9", Die-Cut Quantity: 2 (Forward-Facing In Transport Position - One Located On The Hopper Support On First Row Unit On Outer Side Of Hinge On Each Side Of Planter)</p>
	<p>Part No.: GD1162 Description: Tie Strap, 28"</p> <p>Part No.: GD1512 Description: Tie Strap, 7½"</p> <p>Part No.: GD2117 Description: Tie Strap, 14½"</p> <p>Part No.: GD2984 Description: Tie Strap, 34"</p>

	<p>Part No.: GA26924-01 Description: Hose Label Cover, Red, Extend Part No.: GA26924-02 Description: Hose Label Cover, Red, Retract Part No.: GA26924-03 Description: Hose Label Cover, Blue, Extend Part No.: GA26924-04 Description: Hose Label Cover, Blue, Retract Part No.: GA26924-05 Description: Hose Label Cover, Green, Extend Part No.: GA26924-06 Description: Hose Label Cover, Green, Retract Part No.: GA26924-07 Description: Hose Label Cover, Yellow, Extend Part No.: GA26924-08 Description: Hose Label Cover, Yellow, Retract Part No.: GA26924-09 Description: Hose Label Cover, White, Extend Part No.: GA26924-10 Description: Hose Label Cover, White, Retract Part No.: GA26924-11 Description: Hose Label Cover, Orange, Retract</p>
	<p>Part No.: G10368001 Description: Decal, Spring Tension Release Quantity: -</p>
	<p>Part No.: G7100-178 Description: Decal, Econ-Fold®, ¼" x 3" Quantity: 1</p>
	<p>Part No.: G10367901 Description: Decal, Instruction</p>
	<p>Part No.: G10368101 Description: Decal, Transmission (2021 Production and on) Quantity: 1</p>

	<p>Part No.: G10383501 Description: Decal, Transmission (2021 Production and on) Quantity: 1</p>
	<p>Part No.: G10368201 Description: Decal, Oil/Grease Daily (2021 Production and on)</p>
	<p>Part No.: G10371501 Description: Decal, Oil/Grease Weekly</p>
	<p>Part No.: GR2127MPP Description: Blue Paint, Twelve Aerosol Cans</p>
	<p>Part No.: GR0146MPP Description: Powdered Graphite, Twenty-Four 1 Pound Containers</p>
	<p>Part No.: GR1570MPP Description: Talc Lubricant, Four 8 Pound Containers</p>

	<p>Part No.: GR1842MPP Description: Graphite Lubricant, Four 5 Pound Containers</p>
	<p>Part No.: GR2240MPP Description: Talc/Graphite Blend (80 Talc/20 Graphite), Four 8 Pound Containers</p>
	<p>Part No.: GR2241MPP Description: Dispensing Cap, 10/Package</p>
	<p>Part No.: G10074101 Description: Decal, KINZE 3205 Quantity: 2 (1 On Each Side of Hitch)</p>
	<p>Part No.: GM0310-01 Description: Operator Manual, Model 3205 Part No.: GM0310-02 Description: Parts Manual, Model 3205 Part No.: GPR1094 Description: Binder (Contact Kinze Parts To Order)</p>
	<p>Part No.: GA15422 Description: Operator's Manual Canister Quantity: 1</p>
	<p>Part No.: GD22685 Description: Manual Canister Bracket Quantity: 1</p>
	<p>Part No.: GD22692 Description: U-Bolt, 1 3/4" x 1 3/4" x 3/8"-16 Quantity: 1</p>
	<p>Part No.: G11091 Description: Serrated Flange Nut, 3/8"-16 Quantity: 2</p>
	<p>Part No.: G11166 Description: Hex Socket Flange Cap Screw, 1/4"-20 x 3/4" Quantity: 3</p>
	<p>Part No.: G11320 Description: Lock Nut, 1/4"-20, Grade B Quantity: 3</p>

	<p>Part No.: G7100-484 Description: Decal, American Flag</p>
---	--

This page left blank intentionally.

Part No.	Page	Part No.	Page	Part No.	Page	Part No.	Page
*A1000.....	P87	*D12251.....	P83	G3303-108.....	P37	G6801-16-20.....	P52
*A1006.....	P87	*D12275.....	P83	G3303-114.....	P25	G7100-178.....	P39
*A1020.....	P87	*D12279.....	P81	G3303-114.....	P26	G7100-178.....	P121
*A1020.....	P87	*D12279.....	P82	G3310-66.....	P111	G7100-262.....	P120
*A1106.....	P61	*D12280.....	P80	G3310-74.....	P65	G7100-388.....	P118
*A1168.....	P61	*D29649.....	P80	G3310-80.....	P73	G7100-557.....	P120
*A3114.....	P87	*D29649.....	P81	G3310-91.....	P51	G7100-558.....	P120
*A3136.....	P87	*D29649.....	P82	G3310-102.....	P65	G7100-559.....	P120
*A3180.....	P61	G1K248.....	P89	G3310-104.....	P65	G7566X.....	P22
*A3292.....	P41	G1K248.....	P92	G3310-139.....	P111	G8647X.....	P92
*A4295.....	P80	G1K248.....	P95	G3324-01.....	P67	G9421X.....	P98
*A6524.....	P84	G1K252.....	P89	G3400-01.....	P64	G9903X.....	P35
*A7370.....	P111	G1K252.....	P91	G3400-01.....	P111	G9948X.....	P67
*A7538.....	P81	G1K252.....	P95	G3400-01.....	P112	G10001.....	P13
*A7538.....	P82	G1K253.....	P112	G3800-10-12.....	P52	G10001.....	P57
*A8048.....	P57	G1K268.....	P70	G3801-16-16.....	P52	G10001.....	P91
*A8836.....	P83	G1K268.....	P91	G3801-16-20.....	P43	G10001.....	P95
*A12009.....	P87	G1K269.....	P66	G4201-04.....	P109	G10001.....	P111
*A12010.....	P87	G1K269.....	P74	G4202-05.....	P109	G10002.....	P7
*A12767.....	P41	G1K296.....	P11	G4205-04.....	P115	G10002.....	P23
*A12990-90.....	P43	G1K320.....	P89	G4301-06.....	P115	G10002.....	P103
*A15086-46.....	P43	G1K320.....	P92	G4425-01.....	P47	G10003.....	P3
*A15092-90.....	P43	G1K321.....	P89	G4425-01.....	P109	G10003.....	P29
*A18666-24.....	P43	G1K321.....	P92	G4602-02.....	P109	G10003.....	P76
*A18666-60.....	P43	G1K322.....	P91	G6325X.....	P5	G10003.....	P93
*A18666-128.....	P43	G1K345.....	P13	*G6400-06.....	P85	G10003.....	P111
*A18678-102.....	P43	G1K362.....	P92	*G6400-06.....	P85	G10003.....	P111
*A21527-24.....	P43	G1K362.....	P95	G6400-06.....	P61	G10003.....	P117
*A24705.....	P59	G1K363.....	P91	G6400-06-08.....	P49	G10004.....	P5
A26287.....	P25	G1K363.....	P95	G6400-08.....	P87	G10004.....	P33
*A26936-173.....	P87	G1K378.....	P74	G6400-08-04.....	P87	G10004.....	P43
*A26939-172.....	P87	G1K379.....	P74	G6400-08-06.....	P61	G10004.....	P47
*D12012.....	P83	G1K385.....	P29	G6400-08-10.....	P49	G10004.....	P63
*D12038.....	P81	G1K758.....	P5	G6408-04.....	P83	G10004.....	P65
*D12038.....	P82	G306-08.....	P87	G6408-08.....	P80	G10004.....	P65
*D12056.....	P80	G2100-03.....	P64	G6408-08.....	P81	G10004.....	P73
*D12210.....	P80	G2100-03.....	P111	G6408-08.....	P82	G10004.....	P109
*D12210.....	P81	G2100-03.....	P112	G6408-08.....	P83	G10005.....	P5
*D12210.....	P82	G2403-08.....	P43	G6408-H06-O.....	P49	G10005.....	P7
*D12210.....	P83	G2404-10-08.....	P44	G6408-H08-0.....	P49	G10006.....	P31
*D12212.....	P83	G2406-08-06.....	P61	G6500-06.....	P49	G10006.....	P53
*D12213.....	P83	G2406-08-10.....	P43	G6500-08.....	P49	G10006.....	P63
*D12214.....	P83	G2603-08.....	P87	G6500-08.....	P87	G10007.....	P22
*D12227.....	P81	G2703-08.....	P87	G6500-10.....	P44	G10007.....	P59
*D12227.....	P82	G3302-07.....	P76	G6500-10.....	P52	G10007.....	P67
*D12228.....	P81	G3303-16.....	P3	G6500-12.....	P43	G10010.....	P11
*D12228.....	P82	G3303-34.....	P9	G6801-06-04.....	P41	G10010.....	P33
*D12231.....	P80	G3303-44.....	P9	G6801-06-08.....	P61	G10010.....	P107
*D12232.....	P80	G3303-88.....	P9	G6801-06-10.....	P41	G10011.....	P57
*D12251.....	P80	G3303-98.....	P3	G6801-08.....	P87	G10011.....	P57
*D12251.....	P81	G3303-108.....	P3	G6801-08-10.....	P41	G10011.....	P103
*D12251.....	P82	G3303-108.....	P25	G6801-10-12.....	P52	G10013.....	P13

Part No.	Page	Part No.	Page	Part No.	Page	Part No.	Page
G10014.....	P3	G10061.....	P3	G10104.....	P101	G10110.....	P43
G10014.....	P11	G10061.....	P15	G10104.....	P101	G10110.....	P59
G10014.....	P37	G10064.....	P13	G10104.....	P103	G10110.....	P73
G10016.....	P53	G10064.....	P61	G10104.....	P103	G10110.....	P78
G10017.....	P59	G10064.....	P89	G10104.....	P108	G10110.....	P89
G10017.....	P65	G10071.....	P3	G10104.....	P109	G10110.....	P89
G10017.....	P65	G10071.....	P37	G10104.....	P115	G10111.....	P13
G10017.....	P73	G10071.....	P59	G10105.....	P57	G10111.....	P27
G10017.....	P103	G10071.....	P63	G10106.....	P57	G10111.....	P31
G10017.....	P109	G10096.....	P109	G10106.....	P111	G10111.....	P31
G10018.....	P79	G10101.....	P13	G10106.....	P111	G10111.....	P43
G10019.....	P11	G10101.....	P22	G10106.....	P112	G10111.....	P53
G10019.....	P57	G10101.....	P65	G10107.....	P13	G10111.....	P59
G10019.....	P78	G10101.....	P69	G10107.....	P27	G10111.....	P63
G10019.....	P95	G10101.....	P69	G10107.....	P53	G10111.....	P64
G10019.....	P101	G10101.....	P73	G10107.....	P57	G10111.....	P65
G10020.....	P19	G10101.....	P91	G10107.....	P57	G10111.....	P69
G10020.....	P93	G10101.....	P95	G10107.....	P65	G10111.....	P73
G10021.....	P19	G10101.....	P101	G10107.....	P65	G10111.....	P101
G10022.....	P19	G10101.....	P109	G10107.....	P67	G10111.....	P103
G10023.....	P23	G10101.....	P111	G10107.....	P76	G10111.....	P104
G10023.....	P59	G10101.....	P111	G10107.....	P101	G10112.....	P57
G10023.....	P69	G10101.....	P117	G10107.....	P104	G10128.....	P64
G10023.....	P69	G10102.....	P31	G10107.....	P111	G10128.....	P65
G10023.....	P89	G10102.....	P31	G10108.....	P3	G10128.....	P65
G10023.....	P93	G10102.....	P75	G10108.....	P15	G10128.....	P65
G10023.....	P111	G10102.....	P78	G10108.....	P16	G10130.....	P65
G10026.....	P63	G10102.....	P78	G10108.....	P25	G10130.....	P73
G10028.....	P57	G10102.....	P89	G10108.....	P43	G10131.....	P73
G10028.....	P57	G10102.....	P101	G10108.....	P57	G10133.....	P13
G10031.....	P11	G10102.....	P101	G10108.....	P59	G10133.....	P31
G10033.....	P31	G10102.....	P103	G10108.....	P67	G10133.....	P33
G10036.....	P27	G10102.....	P103	G10108.....	P75	G10133.....	P101
G10036.....	P57	G10102.....	P109	G10108.....	P76	G10152.....	P101
G10036.....	P65	G10102.....	P111	G10108.....	P76	G10152.....	P103
G10038.....	P111	G10102.....	P111	G10108.....	P79	G10157.....	P57
G10045.....	P31	G10103.....	P61	G10108.....	P84	G10159.....	P63
G10045.....	P78	G10103.....	P61	G10108.....	P91	G10159.....	P75
G10045.....	P101	G10103.....	P69	G10108.....	P93	G10168.....	P64
G10046.....	P101	G10103.....	P69	G10108.....	P103	G10168.....	P78
G10046.....	P103	G10103.....	P109	G10108.....	P103	G10168.....	P78
G10047.....	P9	G10103.....	P111	G10108.....	P110	G10169.....	P57
G10047.....	P67	G10104.....	P5	G10108.....	P117	G10171.....	P41
G10047.....	P73	G10104.....	P5	G10109.....	P11	G10171.....	P95
G10047.....	P75	G10104.....	P22	G10109.....	P13	G10201.....	P9
G10047.....	P103	G10104.....	P57	G10109.....	P31	G10201.....	P16
G10049.....	P69	G10104.....	P57	G10109.....	P33	G10201.....	P25
G10049.....	P76	G10104.....	P59	G10109.....	P64	G10203.....	P75
G10053.....	P63	G10104.....	P63	G10109.....	P78	G10204.....	P7
G10053.....	P65	G10104.....	P65	G10109.....	P101	G10204.....	P11
G10055.....	P65	G10104.....	P72	G10110.....	P25	G10204.....	P101
G10055.....	P111	G10104.....	P76	G10110.....	P29	G10204.....	P107

Part No.	Page	Part No.	Page	Part No.	Page	Part No.	Page
G10207.....	P3	G10230.....	P59	G10323.....	P19	G10501.....	P65
G10207.....	P111	G10230.....	P63	G10323.....	P93	G10501.....	P111
G10210.....	P67	G10230.....	P72	G10324.....	P83	G10502X.....	P1
G10210.....	P76	G10230.....	P76	G10325.....	P7	G10503.....	P33
G10215.....	P87	G10230.....	P101	G10325.....	P25	G10503.....	P76
G10216.....	P11	G10230.....	P101	G10325.....	P69	G10503.....	P101
G10217.....	P53	G10230.....	P103	G10326.....	P16	G10504.....	P101
G10217.....	P104	G10230.....	P103	G10338.....	P9	G10523.....	P29
G10227.....	P61	G10230.....	P108	G10338.....	P15	G10527.....	P73
G10227.....	P61	G10230.....	P109	G10338.....	P64	G10531.....	P21
G10227.....	P69	G10230.....	P115	G10348.....	P31	G10542.....	P101
G10227.....	P69	G10231.....	P57	G10370.....	P111	G10544.....	P78
G10227.....	P69	G10231.....	P63	G10371.....	P31	G10546.....	P15
G10227.....	P74	G10232.....	P57	G10397.....	P64	G10546.....	P26
G10227.....	P109	G10232.....	P101	G10401.....	P19	G10551.....	P3
G10227.....	P111	G10232.....	P103	G10404.....	P59	G10560.....	P76
G10228.....	P11	G10232.....	P111	G10409.....	P65	G10567.....	P15
G10228.....	P31	G10232.....	P111	G10409.....	P72	G10567.....	P26
G10228.....	P31	G10232.....	P112	G10412.....	P66	G10570.....	P26
G10228.....	P75	G10233.....	P64	G10412.....	P111	G10574.....	P27
G10228.....	P78	G10233.....	P73	G10438.....	P3	G10574.....	P31
G10228.....	P78	G10233.....	P107	G10450.....	P104	G10580.....	P61
G10228.....	P78	G10233.....	P110	G10451.....	P76	G10581.....	P59
G10228.....	P89	G10235.....	P59	G10451.....	P100	G10599.....	P13
G10228.....	P101	G10235.....	P66	G10455.....	P73	G10599.....	P22
G10228.....	P101	G10235.....	P111	G10457.....	P59	G10599.....	P59
G10228.....	P103	G10236.....	P59	G10457.....	P59	G10602.....	P15
G10228.....	P109	G10243.....	P95	G10457.....	P59	G10602.....	P19
G10228.....	P111	G10253.....	P69	G10460.....	P63	G10602.....	P21
G10228.....	P111	G10257.....	P69	G10460.....	P76	G10602.....	P26
G10229.....	P13	G10278.....	P115	G10460.....	P76	G10602.....	P65
G10229.....	P22	G10292.....	P115	G10460.....	P76	G10602.....	P72
G10229.....	P23	G10303.....	P64	G10460.....	P76	G10602.....	P110
G10229.....	P33	G10303.....	P65	G10460.....	P76	G10603.....	P19
G10229.....	P69	G10303.....	P66	G10461.....	P59	G10603.....	P21
G10229.....	P73	G10303.....	P111	G10463.....	P61	G10604.....	P19
G10229.....	P73	G10303.....	P111	G10463.....	P61	G10615.....	P115
G10229.....	P91	G10303.....	P112	G10463.....	P61	G10619.....	P115
G10229.....	P95	G10305.....	P101	G10463.....	P76	G10620.....	P3
G10229.....	P101	G10306.....	P103	G10470.....	P19	G10620.....	P9
G10229.....	P109	G10306.....	P110	G10475.....	P35	G10620.....	P15
G10229.....	P111	G10306.....	P117	G10478.....	P65	G10620.....	P25
G10229.....	P111	G10308.....	P13	G10478.....	P72	G10620.....	P37
G10229.....	P111	G10309.....	P15	G10485.....	P109	G10620.....	P41
G10229.....	P117	G10310.....	P9	G10496.....	P69	G10620.....	P65
G10230.....	P5	G10310.....	P25	G10496.....	P73	G10620.....	P66
G10230.....	P5	G10310.....	P29	G10497.....	P69	G10620.....	P95
G10230.....	P11	G10312.....	P3	G10499.....	P101	G10620.....	P95
G10230.....	P13	G10312.....	P25	G10500.....	P19	G10620.....	P107
G10230.....	P22	G10315.....	P25	G10501.....	P31	G10621.....	P9
G10230.....	P57	G10315.....	P29	G10501.....	P65	G10621.....	P15
G10230.....	P57	G10318.....	P65	G10501.....	P65	G10621.....	P19

Part No.	Page	Part No.	Page	Part No.	Page	Part No.	Page
G10621	P19	G10758	P25	G11048X	P35	G11386	P11
G10621	P23	G10758	P29	G11073	P26	G11386	P64
G10621	P25	G10758	P95	G11075	P73	G11386	P79
G10621	P29	G10765	P33	G11078	P74	G11386	P101
G10622	P7	G10765	P69	G11081	P63	G11386	P103
G10622	P59	G10779	P83	G11091	P5	G11386	P112
G10623	P109	G10804	P69	G11091	P9	G11387	P3
G10626	P109	G10809	P75	G11091	P63	G11387	P9
G10626	P115	G10821	P73	G11091	P65	G11387	P13
G10627	P109	G10844	P78	G11091	P95	G11387	P13
G10628	P109	G10857	P109	G11091	P123	G11387	P15
G10629	P115	G10859	P69	G11100	P74	G11387	P16
G10630	P109	G10862	P76	G11105X	P35	G11387	P22
G10634	P21	G10864	P25	G11106X	P35	G11387	P25
G10636	P63	G10864	P29	G11107X	P35	G11387	P29
G10640	P59	G10871	P103	G11124	P41	G11387	P41
G10640	P73	G10879	P76	G11147	P54	G11387	P43
G10640	P76	G10880	P41	G11151	P21	G11387	P57
G10640	P76	G10880	P73	G11152X	P35	G11387	P57
G10640	P103	G10888	P109	G11153X	P35	G11387	P69
G10641	P57	G10889	P108	G11154X	P35	G11387	P69
G10641	P75	G10890	P65	G11166	P123	G11387	P73
G10641	P76	G10890	P112	G11172	P34	G11387	P91
G10660	P26	G10900	P69	G11202	P91	G11387	P101
G10670	P23	G10901	P9	G11202	P91	G11387	P103
G10670	P25	G10901	P109	G11209	P25	G11387	P110
G10671	P67	G10917	P115	G11209	P29	G11387	P111
G10672	P108	G10923	P65	G11215	P39	G11387	P111
G10672	P109	G10923	P73	G11228	P33	G11387	P117
G10674	P109	G10927	P95	G11236	P33	G11389	P33
G10676	P108	G10928	P95	G11237	P115	G11389	P43
G10681	P101	G10931	P95	G11281	P35	G11389	P103
G10681	P115	G10938	P100	G11281	P37	G11389	P104
G10686	P79	G10939	P84	G11288	P95	G11389	P109
G10686	P95	G10940	P11	G11306	P109	G11389	P111
G10687	P9	G10958	P84	G11308	P109	G11391	P9
G10690	P19	G10961	P37	G11314	P63	G11391	P13
G10693	P117	G10961	P107	G11320	P41	G11391	P57
G10722	P78	G10966	P25	G11320	P123	G11391	P63
G10725	P78	G10969	P83	G11342	P109	G11391	P65
G10727	P79	G10974	P33	G11353	P109	G11391	P66
G10732	P5	G10984X	P1	G11353	P109	G11391	P67
G10733	P115	G10991	P103	G11354	P109	G11391	P78
G10734	P115	G10991	P117	G11385	P25	G11391	P104
G10746	P43	G11009	P19	G11385	P26	G11391	P107
G10751	P5	G11009	P21	G11385	P29	G11391	P111
G10751	P66	G11009	P35	G11385	P43	G11392	P33
G10751	P111	G11009	P37	G11385	P89	G11396	P59
G10752	P5	G11015	P3	G11385	P89	G11396	P73
G10752	P15	G11042X	P35	G11386	P11	G11400	P63
G10757	P25	G11046X	P35	G11386	P11	G11400	P76
G10757	P29	G11047X	P35	G11386	P11	G11400	P76

Part No.	Page	Part No.	Page	Part No.	Page	Part No.	Page
G11415.....	P95	G10334901.....	P11	GA2012L.....	P7	GA5755.....	P57
G11418.....	P78	G10335001.....	P11	GA2012R.....	P7	GA5794.....	P21
G11419.....	P13	G10335101.....	P11	GA2014.....	P31	GA5795.....	P21
G11436.....	P101	G10335201.....	P11	GA2014.....	P33	GA5796.....	P21
G11436.....	P103	G10367101.....	P41	GA2014.....	P101	GA5834.....	P21
G11448.....	P35	G10367201.....	P119	GA2019.....	P19	GA5853.....	P78
G11453.....	P74	G10383201.....	P79	GA2020.....	P19	GA5982.....	P21
G11514.....	P5	G10429101.....	P19	GA2068.....	P65	GA6038.....	P21
G11556.....	P35	G10429301.....	P19	GA2068.....	P111	GA6055.....	P59
G11578.....	P35	G10475701.....	P3	GA2180.....	P73	GA6147.....	P92
G11591.....	P3	G10475701.....	P91	GA2660.....	P109	GA6147.....	P95
G11592.....	P3	G10475701.....	P95	GA3893.....	P115	GA6168.....	P21
G11618.....	P34	G10483101.....	P35	GA4376.....	P63	GA6171.....	P11
G11619.....	P34	G10483101.....	P35	GA4444.....	P23	GA6171.....	P13
G11619.....	P35	G10483201.....	P35	GA4976.....	P115	GA6171.....	P13
G11693.....	P35	G10483401.....	P35	GA4995.....	P57	GA6171.....	P13
G11742.....	P79	G10500901.....	P3	GA5089.....	P65	GA6171.....	P107
G11793.....	P26	G10605101.....	P63	GA5090.....	P65	GA6182.....	P21
G11848.....	P41	G10614301.....	P35	GA5090.....	P110	GA6184.....	P21
G11862.....	P13	G10652501.....	P93	GA5105.....	P51	GA6187.....	P21
G11874.....	P67	G10652601.....	P93	GA5105.....	P64	GA6434.....	P13
G11960.....	P91	G10664901.....	P35	GA5105.....	P73	GA6478.....	P21
G11960.....	P91	G10665001.....	P35	GA5106.....	P73	GA6527.....	P115
G11961.....	P91	G10665101.....	P35	GA5107.....	P73	GA6597.....	P13
G11976.....	P5	G10745401.....	P91	GA5108.....	P73	GA6633.....	P21
G12000-25.....	P52	G10745401.....	P95	GA5109.....	P73	GA6699.....	P89
G12000-40.....	P53	G10984101.....	P53	GA5109.....	P110	GA6700.....	P89
G12002-35.....	P53	G10984201.....	P53	GA5110.....	P73	GA6701.....	P89
G12002-60.....	P53	G10984701.....	P53	GA5111.....	P73	GA6741.....	P25
G12015.....	P53	G10984901.....	P53	GA5112.....	P73	GA6741.....	P29
G12039.....	P53	G10985101.....	P53	GA5113.....	P73	GA6798.....	P57
G12103.....	P97	G10985201.....	P53	GA5114.....	P65	GA6800.....	P61
G12164.....	P53	G10985301.....	P53	GA5114.....	P65	GA6823.....	P89
G12212-08.....	P97	G10985401.....	P53	GA5116.....	P73	GA6824.....	P89
G10011101.....	P5	G10985501.....	P53	GA5118.....	P111	GA6832.....	P31
G10011201.....	P5	G11034501.....	P43	GA5121.....	P63	GA6833.....	P31
G10018801.....	P7	G11034601.....	P43	GA5122.....	P63	GA6834.....	P31
G10028601.....	P11	G11034701.....	P43	GA5146.....	P73	GA6838.....	P31
G10028701.....	P11	G11037001.....	P46	GA5202.....	P65	GA6907.....	P25
G10028801.....	P11	G11037501.....	P48	GA5202.....	P110	GA6907.....	P29
G10037301.....	P7	G11037601.....	P48	GA5385.....	P89	GA6966.....	P103
G10038601.....	P3	G11114501.....	P53	GA5552.....	P85	GA7022.....	P59
G10074101.....	P123	G11114601.....	P53	GA5552.....	P85	GA7137.....	P69
G10090401.....	P7	GA0167.....	P78	GA5572.....	P85	GA7144.....	P70
G10122301.....	P3	GA0245.....	P78	GA5600.....	P91	GA7154.....	P64
G10201101.....	P98	GA0257.....	P78	GA5600.....	P95	GA7154.....	P65
G10229401.....	P91	GA0312.....	P101	GA5624.....	P73	GA7154.....	P110
G10254701.....	P98	GA0328.....	P101	GA5629.....	P73	GA7165.....	P70
G10322501.....	P11	GA0810.....	P101	GA5654.....	P31	GA7255.....	P21
G10329801.....	P15	GA1720.....	P5	GA5654.....	P33	GA7336.....	P73
G10334701.....	P11	GA1720.....	P9	GA5698.....	P21	GA7417.....	P69
G10334801.....	P11	GA2007.....	P15	GA5699.....	P21	GA7418.....	P69

Part No.	Page	Part No.	Page	Part No.	Page	Part No.	Page
GA7434	P63	GA8685	P101	GA12596	P97	GA18208	P21
GA7513	P59	GA8760	P33	GA12598	P97	GA18311	P107
GA7854	P91	GA8845	P101	GA12812	P50	GA18353	P93
GA7854	P95	GA8911	P84	GA12852	P97	GA20254	P37
GA7855	P91	GA8931	P105	GA12853	P97	GA20622	P35
GA7857	P91	GA9144	P91	GA12868	P97	GA20640	P15
GA7859	P91	GA9145	P75	GA13521	P92	GA20822	P85
GA7859	P95	GA9195	P101	GA13562	P97	GA20902	P91
GA8033	P59	GA9207	P89	GA13622	P109	GA20902	P95
GA8041	P63	GA9209	P89	GA13719	P78	GA20903	P98
GA8041	P65	GA9433	P103	GA13980	P91	GA21067	P49
GA8042	P65	GA9434	P103	GA13986	P57	GA21104	P81
GA8046	P92	GA9437	P103	GA14115	P109	GA21105	P81
GA8046	P95	GA9454	P103	GA14158	P109	GA21106	P80
GA8047	P89	GA9455	P103	GA14348	P63	GA21106	P81
GA8047	P92	GA9456	P103	GA14349	P63	GA21106	P82
GA8047	P95	GA9457	P103	GA14412	P63	GA21109	P82
GA8050	P95	GA9472	P107	GA14413	P63	GA21111	P80
GA8072	P76	GA9553	P65	GA14446	P52	GA21112	P80
GA8073	P76	GA9554	P65	GA14449	P97	GA21151	P98
GA8074	P76	GA9714	P17	GA14450	P97	GA21152	P98
GA8075	P75	GA9846	P65	GA14452	P97	GA21190	P52
GA8076	P75	GA9846	P111	GA14847	P50	GA21197	P45
GA8080	P101	GA9870	P63	GA15151	P78	GA21295	P45
GA8081	P101	GA9978	P92	GA15197	P13	GA21510	P41
GA8082	P109	GA9978	P95	GA15197	P22	GA21676	P11
GA8084	P110	GA9979	P92	GA15415	P101	GA21677	P11
GA8086	P109	GA9979	P95	GA15415	P103	GA22223	P43
GA8087	P109	GA10036	P107	GA15416	P101	GA22305	P43
GA8088	P109	GA10037	P107	GA15416	P103	GA22306	P43
GA8097	P57	GA10054	P69	GA15422	P123	GA24239	P27
GA8098	P101	GA10123	P83	GA16082	P92	GA24426	P41
GA8099	P101	GA10137	P15	GA16157	P109	GA24449	P79
GA8114	P109	GA10151	P9	GA16349	P97	GA24649	P97
GA8155	P109	GA10151	P15	GA16351	P97	GA24652	P97
GA8156	P109	GA10157	P3	GA16352	P97	GA24676	P35
GA8168	P111	GA10918	P44	GA16355	P99	GA24752	P35
GA8312	P57	GA11592	P76	GA16374	P9	GA24825	P63
GA8318	P57	GA12108	P103	GA16374	P97	GA24826	P63
GA8326	P26	GA12109	P103	GA16374	P99	GA24828	P63
GA8328	P70	GA12143	P15	GA16382	P97	GA24873	P17
GA8329	P70	GA12235	P33	GA16428	P109	GA24877	P35
GA8335	P59	GA12236	P31	GA16826	P97	GA24878	P34
GA8343	P19	GA12236	P33	GA16829	P97	GA24887	P97
GA8364	P26	GA12330	P117	GA16831	P97	GA24891	P87
GA8366	P26	GA12403	P92	GA16832	P99	GA25388	P41
GA8371	P23	GA12537	P97	GA16833	P99	GA25526	P70
GA8393	P69	GA12539	P97	GA16834	P99	GA25528	P70
GA8483	P100	GA12540	P97	GA16923	P95	GA25529	P70
GA8603	P27	GA12558	P97	GA17009	P97	GA25550	P35
GA8603	P103	GA12559	P97	GA17547	P70	GA25760	P43
GA8641	P27	GA12563	P95	GA17547	P91	GA25954	P70

Part No.	Page	Part No.	Page	Part No.	Page	Part No.	Page
GA26287	P23	GB0410	P19	GD1114	P72	GD5827	P110
GA26398	P41	GB0464	P33	GD1114	P101	GD5835	P72
GA26920	P7	GB0554	P78	GD1114	P103	GD5841	P63
GA26924-01	P121	GB0676	P35	GD1114	P108	GD5857	P31
GA26924-02	P121	GB0697	P34	GD1114	P109	GD5857	P65
GA26924-03	P121	GB0780	P34	GD1114	P115	GD5857	P72
GA26924-04	P121	GB0815	P34	GD1132	P31	GD5857	P110
GA26924-05	P121	GB0816	P34	GD1132	P33	GD5860	P110
GA26924-06	P121	GB0818	P35	GD1132	P101	GD5875	P57
GA26924-08	P121	GB0823	P34	GD1138	P101	GD5875	P76
GA26924-09	P121	GB0827	P37	GD1162	P120	GD5900-12	P61
GA26924-10	P121	GB0907	P35	GD1512	P120	GD5961	P72
GA26924-11	P121	GB0920	P35	GD1657	P100	GD6291	P95
GA26958	P13	GB0921	P35	GD1673	P101	GD6551	P73
GA26989	P35	GB0926	P35	GD1755	P21	GD6825-10.5	P111
GA27038	P33	GB0926	P37	GD1862	P109	GD6825-11.625	P65
GB0110	P19	GB0958	P35	GD2117	P120	GD6825-12.25	P111
GB0115	P26	GB1090	P91	GD2199	P118	GD6825-12.75	P64
GB0116	P26	GB1090	P91	GD2200	P59	GD7127	P73
GB0120	P19	GB1090	P95	GD2423	P25	GD7145	P69
GB0134	P101	GB1090	P95	GD2423	P29	GD7145	P89
GB0156	P57	GB1223	P5	GD2558	P46	GD7145	P111
GB0169	P57	GB1224	P5	GD2558	P65	GD7148	P26
GB0186	P5	GB1224	P5	GD2558	P72	GD7258	P26
GB0218	P65	GB1231	P35	GD2558	P111	GD7318	P9
GB0218	P111	GB1237	P35	GD2589	P101	GD7318	P16
GB0239	P13	GB1313	P54	GD2597	P78	GD7426	P73
GB0254	P13	GD0453-06	P75	GD2697	P76	GD7803	P27
GB0258	P111	GD0487	P101	GD2721	P75	GD7804	P27
GB0265	P3	GD0652	P76	GD2734-13	P57	GD7822	P73
GB0266	P3	GD0746	P78	GD2947	P25	GD7878	P21
GB0267	P3	GD0840	P78	GD2947	P29	GD7944	P63
GB0268	P13	GD0914-20	P72	GD2962	P73	GD7948	P59
GB0274	P3	GD0962	P101	GD2971-10	P25	GD7972	P59
GB0276	P11	GD1026	P9	GD2971-11	P76	GD7976	P57
GB0278	P15	GD1026	P16	GD2971-26	P7	GD8188	P54
GB0278	P26	GD1026	P25	GD2984	P120	GD8189	P54
GB0282	P13	GD1026	P73	GD3180-23	P57	GD8218	P76
GB0283	P72	GD1026	P103	GD3214	P76	GD8237	P21
GB0287	P72	GD1041	P19	GD3311	P59	GD8260	P57
GB0296	P103	GD1042	P19	GD3311	P59	GD8460	P13
GB0314	P5	GD1059L	P23	GD3373	P59	GD8751	P91
GB0322	P103	GD1059R	P23	GD3373	P59	GD8751	P95
GB0323	P103	GD1060	P23	GD3612	P3	GD8770	P91
GB0331	P9	GD1061	P26	GD3622	P108	GD8770	P95
GB0331	P15	GD1063	P26	GD3623	P108	GD8771	P91
GB0366	P5	GD1065	P9	GD3951	P108	GD8771	P95
GB0383	P33	GD1065	P16	GD5752	P65	GD8778	P21
GB0387	P31	GD1083	P19	GD5752	P110	GD8893-07	P67
GB0387	P33	GD1085	P13	GD5753	P65	GD9120	P13
GB0400	P103	GD1109	P13	GD5753	P110	GD9229	P64
GB0405	P103	GD1113	P5	GD5756	P111	GD9254	P27

Part No.	Page	Part No.	Page	Part No.	Page	Part No.	Page
GD9589	P61	GD11239	P26	GD12677	P103	GD23773	P9
GD9591	P61	GD11240	P26	GD12679	P103	GD23774	P9
GD9667	P69	GD11259	P3	GD12685	P103	GD24545	P3
GD9671	P69	GD11279	P17	GD13287	P103	GD26146	P13
GD9672	P69	GD11286	P19	GD13309	P107	GD26593	P35
GD9688	P59	GD11297	P26	GD13348	P91	GD26598	P107
GD9699	P61	GD11298	P59	GD13401	P63	GD26973	P33
GD9715	P31	GD11300	P59	GD14217	P5	GD27215	P41
GD9720	P31	GD11305	P25	GD14308	P83	GD27235	P80
GD9724	P31	GD11306	P7	GD14413	P74	GD27235	P81
GD9724	P33	GD11306	P101	GD14414	P74	GD27235	P82
GD9762	P61	GD11313	P22	GD14427	P73	GD28390	P3
GD10036	P5	GD11393-78	P73	GD14431	P73	GD28631	P35
GD10102	P69	GD11394-79	P73	GD14432	P73	GD28631	P37
GD10103	P69	GD11394-90	P73	GD14512	P69	GD29507	P15
GD10104	P69	GD11395	P72	GD14513	P69	GD29657	P35
GD10123	P69	GD11413	P15	GD14529	P83	GD29798	P3
GD10200	P69	GD11413	P26	GD14534	P59	GD29798	P37
GD10207	P83	GD11424	P23	GD15386	P76	GD30221	P79
GD10283	P78	GD11474	P91	GD15698	P19	GD30388	P82
GD10510	P69	GD11474	P95	GD15699	P21	GD30722	P79
GD10519	P33	GD11490	P63	GD16245	P3	GD30723	P79
GD10525	P69	GD11508	P22	GD16598	P95	GD30725	P7
GD10528	P69	GD11509	P22	GD17046	P59	GD30725	P33
GD10529	P69	GD11528	P19	GD17052	P15	GD30725	P101
GD10674-02	P76	GD11557	P103	GD17192	P37	GD31424	P54
GD10777	P108	GD11558	P103	GD18013	P95	GD31435	P52
GD10963	P25	GD11677	P27	GD18118	P91	GD31436	P52
GD10963	P29	GD11700	P115	GD18118	P95	GD31466	P107
GD10984	P25	GD11705	P101	GD18168	P91	GD33511	P49
GD10984	P29	GD11787	P19	GD18168	P95	GD34098	P41
GD10991	P11	GD11950	P84	GD18176	P97	GD34103	P41
GD10993	P3	GD11953	P107	GD18407	P97	GD34178	P63
GD11001	P3	GD11962	P9	GD18408	P97	GD34209	P83
GD11045	P65	GD11962	P16	GD18704	P19	GD34774	P35
GD11045	P73	GD11962	P25	GD19292	P27	GD35127	P67
GD11089	P89	GD11963-01	P110	GD19333	P19	GD35294	P41
GD11089	P91	GD11983	P83	GD19343	P73	GD35339	P67
GD11089	P95	GD11999	P84	GD19344	P73	GD35340	P67
GD11115	P76	GD12102	P80	GD19759	P95	GD35444	P7
GD11120	P69	GD12102	P81	GD19790	P19	GD35447	P41
GD11122	P21	GD12102	P82	GD20060	P109	GD35448	P41
GD11132	P43	GD12102	P83	GD20461	P63	GD36277	P25
GD11132	P101	GD12501	P84	GD20984	P41	GD36495-600	P54
GD11132	P103	GD12502	P84	GD21142	P76	GD36709	P11
GD11141	P75	GD12505	P81	GD21143	P76	GD36713	P11
GD11157	P65	GD12505	P82	GD21300	P41	GD36856	P7
GD11158	P64	GD12507	P80	GD21337	P5	GD36860	P7
GD11177	P61	GD12561	P17	GD21540	P78	GD36895	P13
GD11219	P25	GD12561	P17	GD22685	P123	GD36922	P19
GD11235	P108	GD12616-78	P72	GD22692	P123	GD36990	P7
GD11239	P15	GD12676	P103	GD23002	P83	GD37038	P64

Part No.	Page	Part No.	Page	Part No.	Page	Part No.	Page
GD37039	P64	GR1045	P61	GR1801	P117		
GM0310-01	P123	GR1045	P61	GR1802	P117		
GM0310-02	P123	GR1045	P85	GR1804	P117		
GR0146MPP	P122	GR1045	P85	GR1805	P117		
GR0150	P78	GR1045	P85	GR1806	P117		
GR0151	P78	GR1045	P87	GR1808	P117		
GR0196	P3	GR1046	P85	GR1838	P97		
GR0196	P25	GR1047	P85	GR1839	P97		
GR0196	P26	GR1047	P85	GR1842MPP	P123		
GR0270	P63	GR1048	P85	GR1848	P19		
GR0515	P57	GR1104	P117	GR1897	P19		
GR0516	P57	GR1112	P117	GR1919	P109		
GR0586	P91	GR1116	P117	GR1941	P109		
GR0664	P19	GR1118	P117	GR1956	P89		
GR0880	P115	GR1120	P117	GR1956	P89		
GR0881	P115	GR1122	P111	GR1957	P89		
GR0882	P115	GR1123	P117	GR1958	P89		
GR0883	P115	GR1124	P117	GR2003	P117		
GR0911	P111	GR1134	P117	GR2127MPP	P122		
GR0912	P65	GR1208	P89	GR2185	P117		
GR0912	P65	GR1208	P89	GR2203	P85		
GR0912	P73	GR1303	P69	GR2225	P81		
GR0912	P111	GR1304	P69	GR2225	P82		
GR0912	P111	GR1305	P69	GR2228	P80		
GR1015	P109	GR1306	P69	GR2240MPP	P123		
GR1015	P115	GR1389	P117	GR2241MPP	P123		
GR1016	P109	GR1414	P91	GR2279	P97		
GR1016	P115	GR1414	P95				
GR1017	P109	GR1415	P91				
GR1017	P115	GR1415	P95				
GR1018	P109	GR1465	P83				
GR1018	P115	GR1521	P83				
GR1019	P109	GR1526	P84				
GR1019	P115	GR1533	P105				
GR1032	P85	GR1535	P105				
GR1033	P85	GR1540	P105				
GR1034	P85	GR1541	P105				
GR1035	P85	GR1542	P105				
GR1036	P85	GR1543	P105				
GR1037	P61	GR1543	P117				
GR1037	P83	GR1544	P105				
GR1037	P85	GR1545	P105				
GR1037	P85	GR1569	P19				
GR1037	P87	GR1570MPP	P122				
GR1037	P87	GR1574	P105				
GR1038	P85	GR1708	P109				
GR1039	P85	GR1709	P109				
GR1040	P85	GR1762	P92				
GR1041	P85	GR1763	P92				
GR1042	P85	GR1795	P117				
GR1043	P85	GR1797	P117				
GR1044	P85	GR1799	P117				

This page left blank intentionally.