

MODEL 3505 70 CM PIVOT FOLD PLANTER PARTS MANUAL

M0311-02

Rev. 01/25

This manual is applicable to: Model: 3505 Twin-Line Planters
 (Row Hoppers and Bulk Fill)
 2024 Production and on

Record the model number and serial number of your planter along with date purchased:

Serial Number _____

Date Purchased _____

Information in this manual was current at time of printing. However, due to Kinze's ongoing product improvement, production changes may cause your machine to appear slightly different in detail. Kinze Manufacturing, Inc. reserves the right to change specifications or design without notice and without incurring obligation to install the same on machines previously manufactured.

Right hand (R.H.) and left hand (L.H.), as used throughout this manual, are determined by facing in the direction the machine will travel when in use, unless otherwise stated.

ROW UNIT

Pull Row Unit Assembly P1
 Shank Assembly, Seed Tube, and Depth Adjustment P3
 Parallel Arms, Mounting Support Plate, and Quick Adjustable
 Down Force Springs Option P5
 15" Seed Opener Disc Blade/Bearing Assembly and
 Scrapers P7
 Gauge Wheels P9
 "V" Closing Wheels P11
 Hopper Support and Meter Drive P13
 Blue Drive Row Unit Components P15
 Pneumatic Down Pressure Package Option P17
 Row Unit Idler P19
 Seed Hopper and Lid P20
 Vacuum Seed Meter P21
 Granular Chemical Hopper and Hopper Panel Extension
 (Ground Contact Drive) P23
 Granular Chemical Hopper and Hopper Panel Extension (Blue
 Drive) P25
 Granular Chemical Meter (Electric Drive) P27
 Granular Chemical Meter and Meter Drive P29
 Granular Chemical Hopper and Hopper Panel Extension P30
 Granular Chemical Banding Options P31
 Seed Meter Stepper Motor Pinion Press Kit P33
 Row Unit Mounted No Till Coulter P34
 Coulter Mounted Residue Wheels P35
 Row Unit Mounted Residue Wheel P37
 Row Unit with True Depth Assembly P39
 Row Unit with True Depth Assembly P40
 True Speed Row Unit P41
 True Speed Seed Delivery System W/Driver P43
 Seed Delivery Rail Assembly P44
 True Speed Seed Delivery System Assembly P45
 True Speed Seed Meter P49
 True Speed Meter Housing P51
 True Speed Meter Cover P53
 True Speed Mini-Hopper P55
 True Speed Mini-Hopper P56

INTERPLANT

Push Row Unit Assembly P57
 Parallel Arms and Face Plate (Split Row) P58
 Shank and Depth Adjustment (Split Row) P60
 Pneumatic Down Pressure Package (Split Row) P62
 Split Row Push Row Unit Drive P64
 Clutch Sprocket Assembly P66
 Push Row Unit Idler (Ground Contact Drive) P67
 Push Row Unit Clutches P68
 Split Row Blue Drive Push Unit P70
 Blue Drive Blue Vantage Push Unit P72
 Blue Drive Blue Vantage Push Unit P73

VACUUM

Vacuum Fan Assembly P74
 Vacuum Fan Assembly P75

Digital and Analog Vacuum Gauges P77
 Hydraulic Valve Block on Vacuum Motor P80
 Vacuum Fan Motor Valve Block Assembly P81
 Vacuum System Assembly P82
 PTO Pump Drive and Oil Cooler Option, Ground Contact
 Drive P84
 PTO Pump Drive and Oil Cooler Option, Blue Drive P86
 PTO Cooler and Filter Assembly w/ Mounts P88
 Dual Stage PTO Package P89
 Dual Stage PTO Package P90
 Dual Stage PTO Package P91
 Dual Stage PTO Package P92
 PTO Pump P97
 Universal PTO Pump P98
 PTO Gear Pump Mount Assembly P99
 Miscellaneous Vacuum Parts P100
 Split Row Vacuum Hose Bundle P101

BULK FILL

Bulk Fill True Speed Assembly P102
 Bulk Fill True Speed Assembly P103
 Bulk Fill Fan Mounts and Catwalk P104
 Bulk Fill Fan Manifold P107
 Bulk Fill Analog Gauges P108
 Bulk Fill Fan Hydraulic Components (Vacuum) P110
 Bulk Fill Fan System P112
 Bulk Fill Distribution Hoses P114
 Even-Row P114
 Bulk Fill Distribution Hoses P115
 Bulk Fill Tank Assembly P118
 Vacuum Row Unit, Bulk Fill P120
 Split Row Unit, Bulk Fill P122
 Bulk Fill Hitch Parts P124

BASE MACHINE

Y-Hitch Assembly P126
 T-Hitch Assembly P128
 Safety Chain Assembly P130
 Hydraulic Hose Holder P131
 2-Point Hitch Option P132
 Transport Catch Assembly P134
 Main Frame Assembly P136
 Axle Assembly P140
 Contact Wheel and Arm Assembly P142
 Driveline P144
 Seed Rate Transmission Assembly P145
 Pneumatic Down Pressure Control Box, Sending Unit, and
 Harnesses P148
 Pneumatic Down Pressure Air Compressor, Dual Solenoid
 Assembly, Tubing, and Fittings P150
 Row Marker Assembly (Conventional) P152
 2nd Stage Marker Assembly (Conventional) P154
 2nd Stage Marker Assembly (Bulk Fill) P155
 Row Marker W/Mounts, (Bulk Fill) P156
 Row Marker Spindle/Hub/Blade P158

Module Mount Assembly P160
 Water Tank Assembly P162
 Manual Canister P163

HYDRAULICS

Lift Cylinder P164
 Lift Cylinder P165
 Row Marker Cylinder P166
 Limiter Valve Assembly P167
 Stroke Limiter Valve, Bulk Fill P168
 Selector Valve P169
 Stroke Limiter Valve, Conventional P169
 Row Marker Sequencing/Flow Control Valve Fittings & Mount P170
 Row Marker Sequencing/Flow Control Valve P171
 Manifold Hydraulic Block Assembly P172
 Bulk Fill/Vacuum Anti-Cavitation Check Valve Block (Located on Vacuum Fan) P173
 Rotation Cylinder P174
 Transport Latch Cylinder, All Sizes P174
 PTO Hydraulic Block Assembly, Blue Drive P175
 Row Unit True Depth Assembly P176
 Row Unit True Depth Assembly P177
 Integrated True Depth Assembly P178
 True Depth Main Block Assembly P180
 True Depth Main Block Assembly P181
 Down Force Manifold Block Assembly P182
 In-Line Filter Assembly P183
 Vacuum Conventional Planter Hydraulic System P184
 Vacuum Bulk Fill Planter Hydraulic System P186
 Vacuum Bulk Fill Planter Hydraulic System P187
 Vacuum Planter With PTO Option Hydraulic System P188
 Vacuum Planter With PTO Option Hydraulic System P189
 Vacuum Bulk Fill Planter With PTO Option Hydraulic System P190
 Blue Drive Vacuum Conventional Planter Hydraulic System P192
 Blue Drive Vacuum Bulk Fill Planter Hydraulic System P194
 Blue Drive Vacuum Bulk Fill Planter Hydraulic System P195
 Blue Drive Vacuum Planter W/ PTO Hydraulic System P196
 Blue Drive Vacuum Planter W/ PTO Hydraulic System P197
 Dual Stage PTO Schematic P198
 Dual Stage PTO Schematic P199
 Dual Stage PTO Schematic P200
 Options Hydraulic Schematic P201
 Options Hydraulic Schematic P202
 Blue Vantage Liquid Fertilizer Hydraulic Hose P203

ELECTRONICS

Electrical Components P204
 KPM III Electronic Seed Monitor P206
 LED Work Lights P209
 Blue Vantage Display P210
 Power Pack Mounting P213
 Power Pack Assembly P214

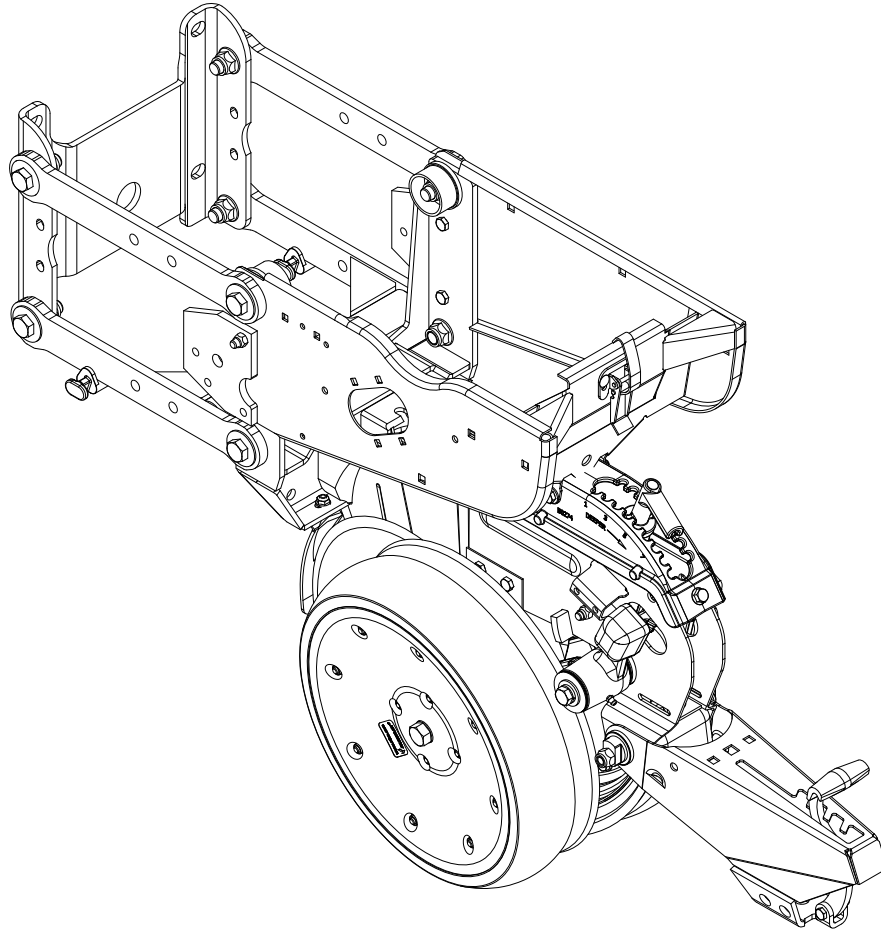
Speed Sensor with Bracket P216
 IPP Module Mounting P217
 KPM III Harness Schematic P218
 Blue Drive Ethernet Interconnect P220
 Blue Drive Interconnect P222
 Blue Drive Blue Vantage True Speed Interconnect P224
 Blue Drive Blue Vantage True Speed Interconnect P225
 Blue Drive Blue Vantage True Speed Interconnect P226
 BV Liquid Fertilizer True Speed Interconnect P227
 BV Liquid Fertilizer True Rate Interconnect P228

FERTILIZER

Notched Single Disc Fertilizer Opener P229
 Dry Fertilizer Transmission Sprockets P232
 Dry Fertilizer Transmission Assembly P233
 Dry Fertilizer Hopper and Mounts P236
 Liquid Fertilizer Tanks, Saddles, Mounts, Hoses, and Fittings P238
 Liquid Fertilizer Piston Pump Mounting Brackets and Driveline P240
 Liquid Fertilizer Piston Pump Uses 18 Tooth Sprocket P242
 Liquid Fertilizer Piston Pump Flow Divider P244
 Fertilizer Manifold Parts P256
 Manifold Row Flow Assembly P257
 Fertilizer Flow Meter Assembly P258
 Fertilizer Flow Meter Cover P259
 Manifold Y Strainer Assembly P263
 Orifice Storage Box P270
 3-Way Valve Unit Assembly (Blue Drive Liquid Fertilizer) P271
 Front and Rear Tee Assembly (Blue Drive Liquid Fertilizer) P272
 Liquid Fertilizer Assembly Tees (Blue Drive, Bulk Fill) P274
 Liquid Fertilizer 150 Gal. Tank Assembly (Blue Drive) P275
 Liquid Fertilizer 150 Gal. Tank Assembly (Blue Drive) P276
 Diaphragm Pump Assembly P279
 Diaphragm Pump Assembly P280
 Liquid Fertilizer Drop Tube Assembly P281
 Liquid Fertilizer Tube In Furrow P282
 Hose Adapter Assembly P283
 Hose Adapter Assembly P284
 Hoses for BV-controlled Liquid Fertilizer P285
 Dry Fertilizer Tank Mounts P286
 Ground Contact Drive Add-On For Fertilizer (For Blue Drive Planters) P287
 Rear Trailer Hitch P289

NUMERICAL INDEX P302

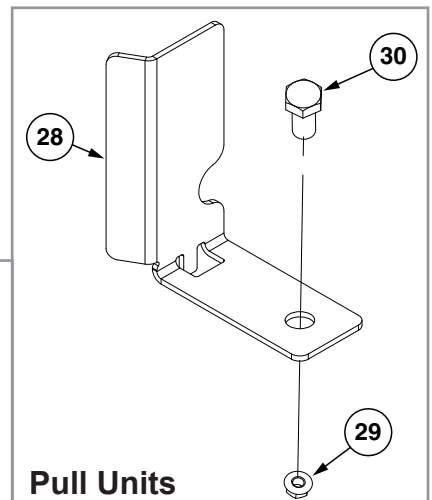
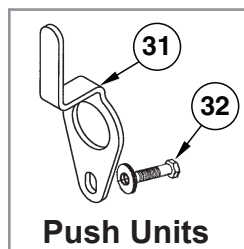
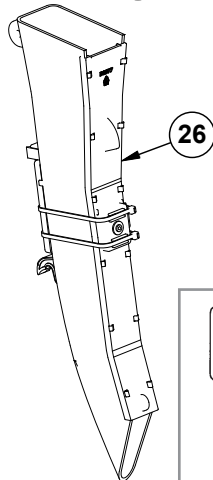
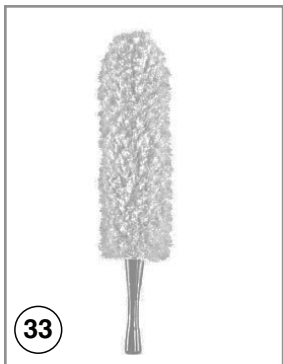
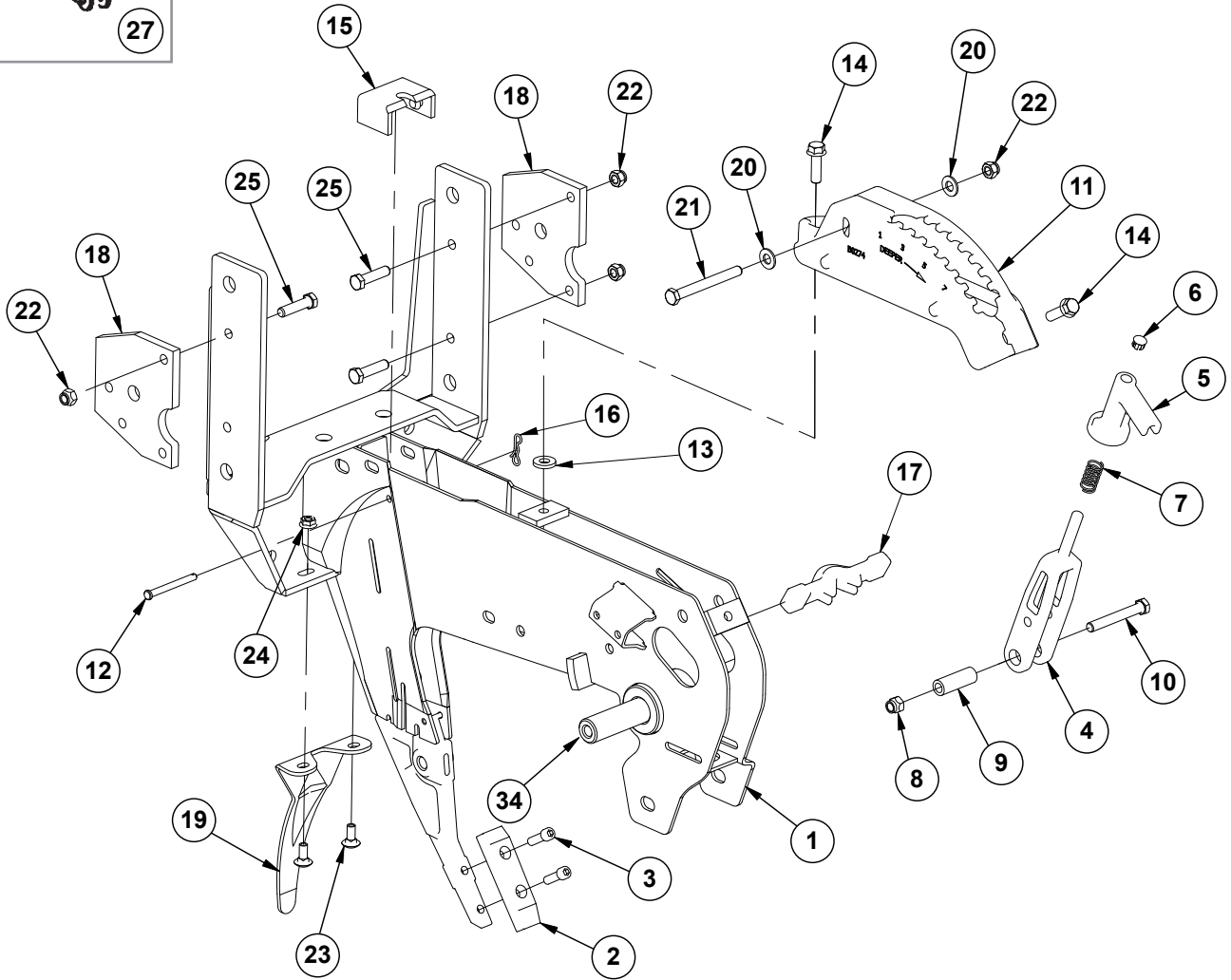
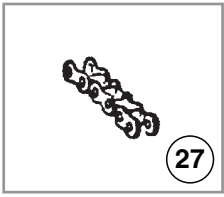
NOTE: Row unit assembly does not include the following: seed meter assembly, seed tube assembly, row unit hopper assembly, closing wheels, or seed meter clutch.



| ITEM | PART NO. | QTY. (Per Row) | DESCRIPTION |
|------|----------|-------------------|--|
| 1 | G10502X | 1 | Pull Row Unit Assembly (Standard Gauge Wheels) |
| 2 | G10984X | 1 | Pull Row Unit Assembly (Spoked Gauge Wheels) |

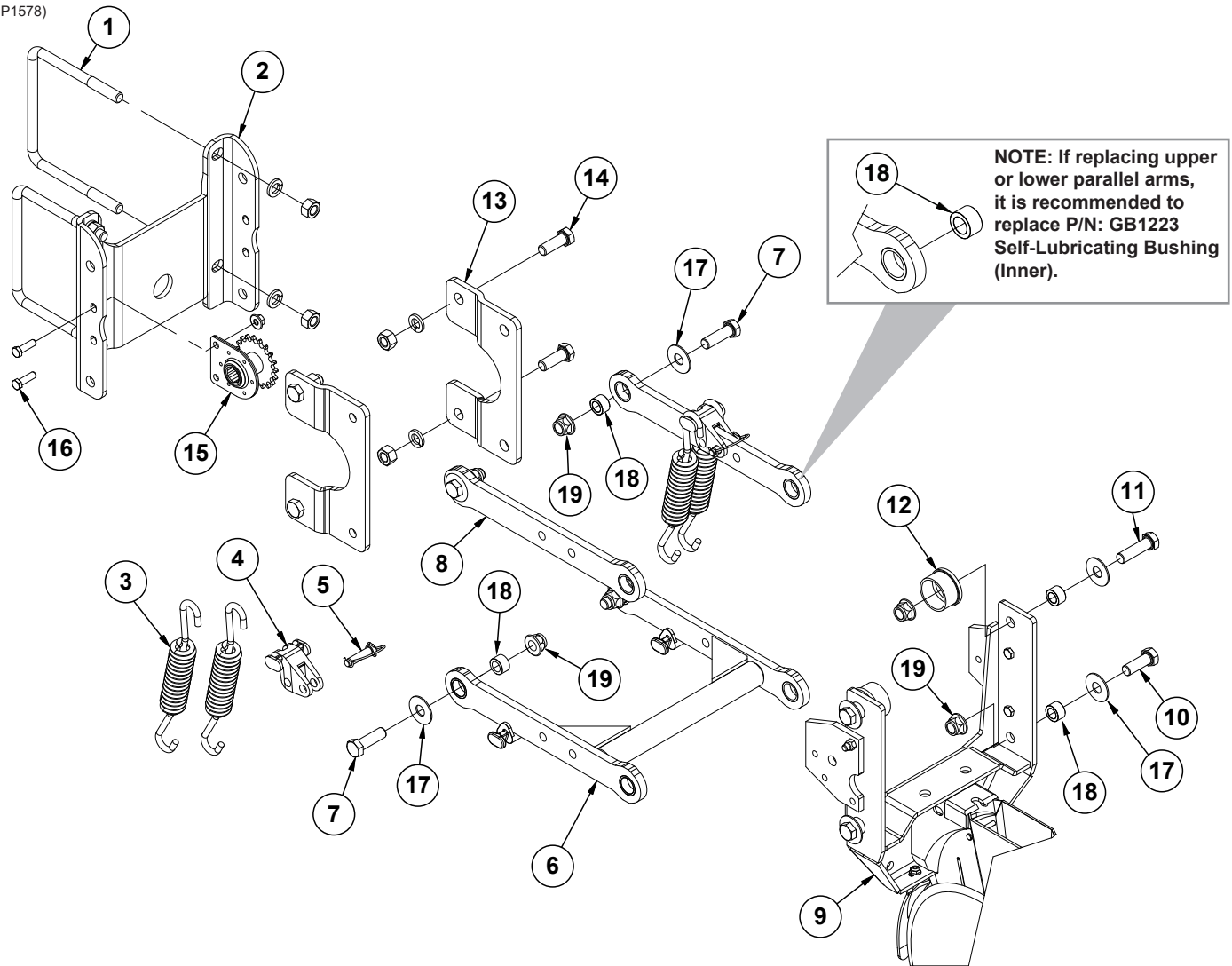
This page left blank intentionally.

(IP1577)



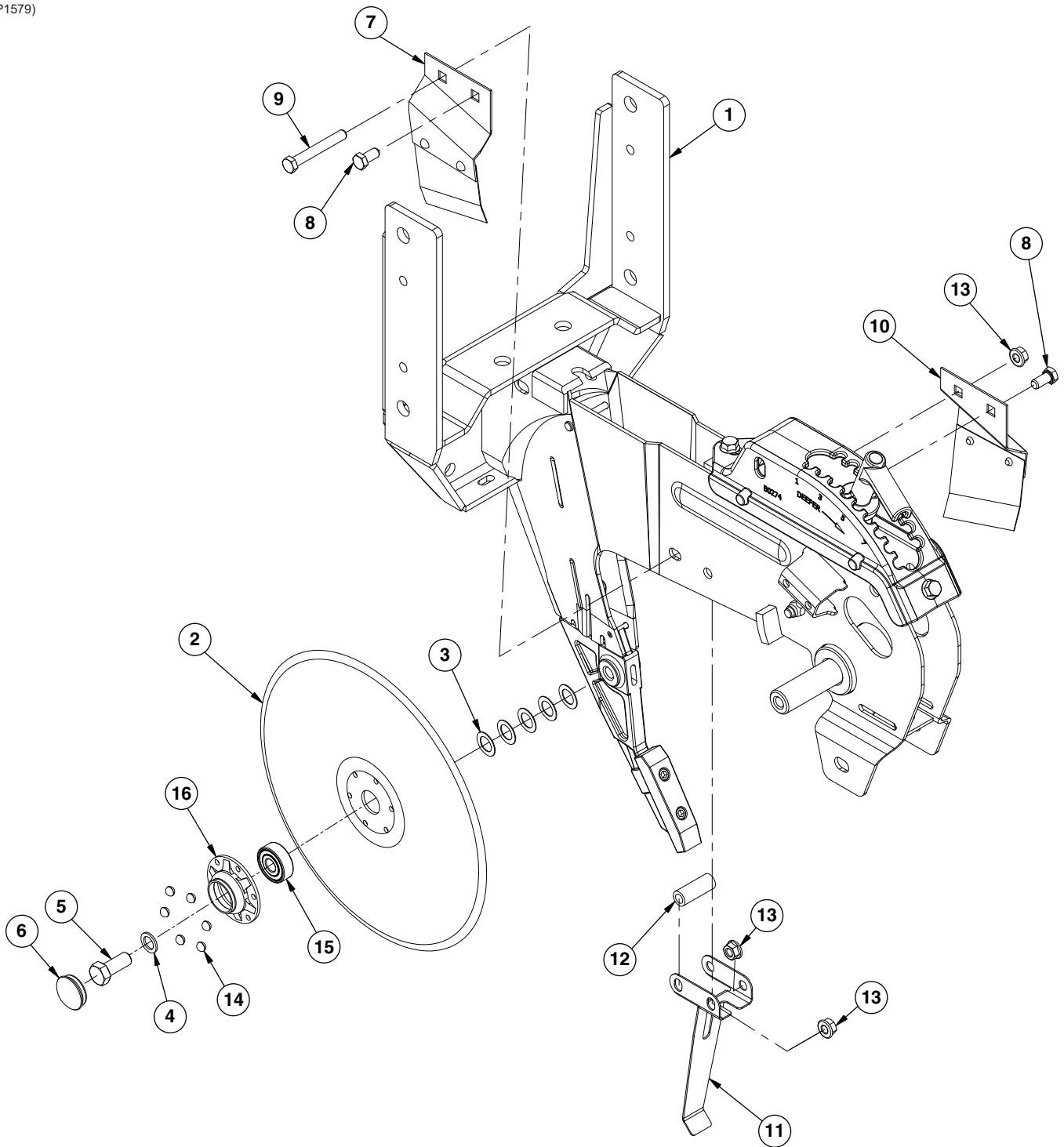
| ITEM | PART NO. | QTY. (Per Row) | DESCRIPTION |
|------|-----------|-------------------|---|
| 1 | GA10157 | - | Shank W/Gauge Wheel Pivot Spindle and Set Screw (Non-True Speed) |
| | G10258402 | - | Shank W/Gauge Wheel Pivot Spindle and Set Screw (True Speed) |
| 2 | G10038601 | 1 | Scraper (Non-True Speed only) |
| 3 | G10500901 | 2 | Hex Socket Head Cap Screw, 5/16"-18 x 1" (Non-True Speed only) |
| 4 | GB0267 | 1 | Lever, Depth Adjustment |
| 5 | GB0266 | 1 | Handle, Depth Adjustment |
| 6 | GD3612 | 1 | Cap Plug |
| 7 | GD10993 | 1 | Spring |
| 8 | G11591 | 1 | Nylon Lock Nut, 3/8"-24, Grade C |
| 9 | GD11259 | 1 | Sleeve, 3/8" I.D. x 5/8" O.D. x 1 ²⁵ / ₃₂ " Long |
| 10 | G11592 | 1 | Hex Head Cap Screw, 3/8"-24 x 2 ³ / ₄ ", Grade 8 |
| 11 | GB0274 | 1 | Cover, Depth Adjustment |
| 12 | G10551 | 1 | Clevis Pin, 1/4" x 2 1/2" |
| 13 | G10207 | 1 | Washer, 7/8" O.D. x 1 ³ / ₃₂ " I.D. x .134" (If Applicable) |
| 14 | G11015 | 2 | Hex Washer Head Cap Screw, 3/8"-16 x 1 ¹ / ₄ " |
| 15 | GD16245 | 1 | Sun Shade (Rubber) |
| 16 | G10122301 | 1 | Bow Tie Cotter Pin |
| 17 | GB0265 | 1 | Pivot Link, Depth Adjustment |
| 18 | GD24545 | 2 | Row Unit Stop |
| 19 | GD28390 | 1 | Shield |
| 20 | G11387 | 2 | Flat Washer, 3/8" SAE |
| 21 | G10061 | 1 | Hex Head Cap Screw, 3/8"-16 x 3 1/2" |
| 22 | G10108 | 4 | Lock Nut, 3/8"-16 |
| 23 | G10312 | 2 | Carriage Bolt, 5/16"-18 x 3/4" |
| 24 | G10620 | 2 | Serrated Flange Nut, 5/16"-18 |
| 25 | G10003 | 3 | Hex Head Cap Screw, 3/8"-16 x 1 1/2" |
| 26 | GA21515 | 1 | Seed Tube Assembly |
| 27 | G3303-124 | 1 | Chain, No. 41, 124 Pitch Including Connector Link (Vacuum) |
| | GR0196 | - | Connector Link, No. 41 |
| 28 | GD29798 | 1 | Chain Guard |
| 29 | G10071 | 1 | Serrated Flange Nut, 1/2"-13 |
| 30 | G10014 | 1 | Hex Head Cap Screw, 1/2"-13 x 1" |
| 31 | GD17014 | 1 | Hose Guide |
| 32 | G10753 | 1 | Hex Head Cap Screw, 3/8"-16 x 4 1/2" |
| | G11387 | 7 | Flat Washer, 3/8" SAE |
| | G10108 | 1 | Lock Nut, 3/8"-16 |
| 33 | G10475701 | - | Professional Microfiber Duster, 19" (for cleaning Seed Tube sensors) |
| 34 | GD11001 | 1 | Spindle |
| | G10438 | 1 | Hex Head Cap Screw, 1/2"-13 x 3/4" |

(IP1578)



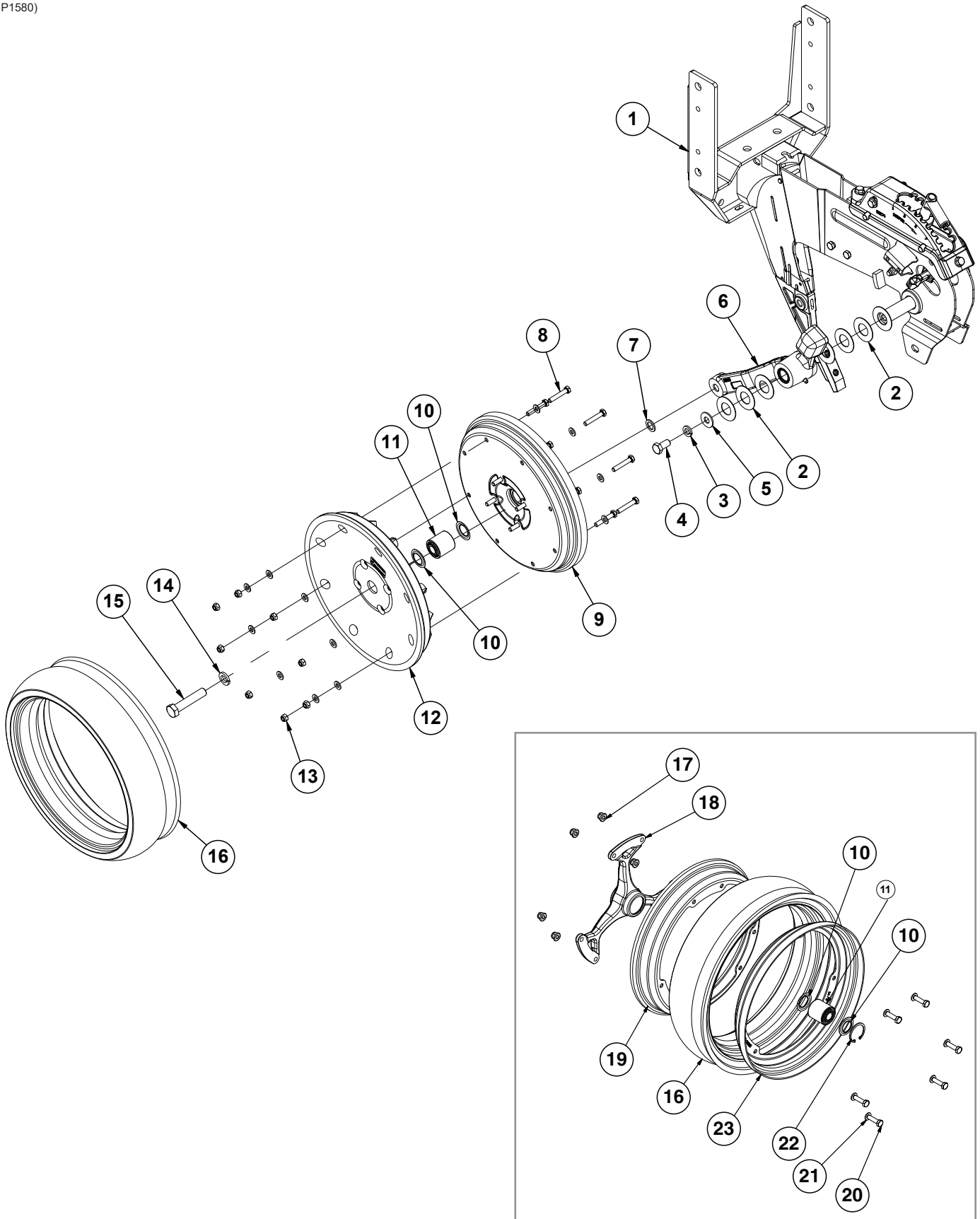
| ITEM | PART NO. | QTY. (Per Row) | DESCRIPTION |
|------|-----------|-------------------|--|
| 1 | GD1113 | 2 | U-Bolt, 5" x 7" x 5/8"-11 |
| | G10230 | 4 | Lock Washer, 5/8" |
| | G10104 | 4 | Hex Nut, 5/8"-11 |
| 2 | GD10036 | 1 | Mounting Support Plate |
| 3 | GD21337 | 4 | Heavy Duty Down Pressure Spring |
| 4 | GB0186 | 2 | Spring Anchor |
| 5 | GD14217 | 2 | Tab Lock Pin, 7/16" x 1 1/2" |
| 6 | G10011201 | 1 | Lower Parallel Arm Assembly |
| | GB1224 | | Self-Lubricating Bushing, 1 1/4" O.D. x 1" I.D. x 1/2" (Included in G10011201) |
| 7 | G10732 | 4 | Hex Head Cap Screw, 5/8"-18 x 2" |
| 8 | G10011101 | 2 | Upper Parallel Arm Assembly |
| | GB1224 | | Self-Lubricating Bushing, 1 1/4" O.D. x 1" I.D. x 1/2" (Included in G10011101) |
| 9 | --- | 1 | See "Shank Assembly, Seed Tube, and Depth Adjustment" on page P3 |
| 10 | G10751 | 2 | Hex Head Cap Screw, 5/8"-18 x 1 3/4" |
| 11 | G10752 | 2 | Hex Head Cap Screw, 5/8"-18 x 2 1/4" |
| 12 | GB0314 | 2 | Hopper Mount |
| 13 | GB0366 | 2 | Extension Bracket |
| 14 | G10005 | 4 | Hex Head Cap Screw, 5/8"-11 x 1 3/4" |
| | G10230 | 4 | Lock Washer, 5/8" |
| | G10104 | 4 | Hex Nut, 5/8"-11 |
| 15 | GA1720 | 1 | Bearing/Sprocket, 7/8" Hex Bore |
| 16 | G10004 | 2 | Hex Head Cap Screw, 3/8"-16 x 1 1/4" |
| | G11091 | | Serrated Flange Nut, 3/8"-16 |
| 17 | G11976 | 8 | Flat Washer, 5/8" x 1 3/4" |
| 18 | GB1223 | 8 | Self-Lubricating Bushing |
| 19 | G11514 | 8 | Lock Nut, 5/8"-18 |
| A | G6325X | - | U-Bolt Package For 5" x 7" Toolbar, Includes: (2) GD1113, (4) G10230, (4) G10104 |
| B | G1K758 | - | Pull Row Unit Parallel Arm Kit, Includes: (2) G10011101, (1) G10011201, (8) GB1223, (8) G11976, (4) G10732, (2) G10751, (2) G10752, (8) G11514, (1) IS1066 |

(IP1579)



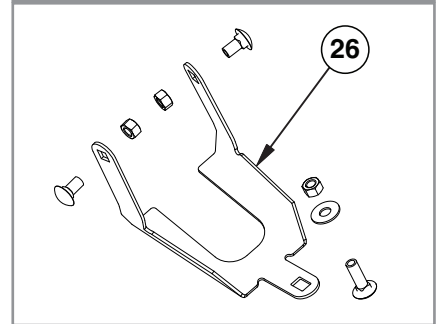
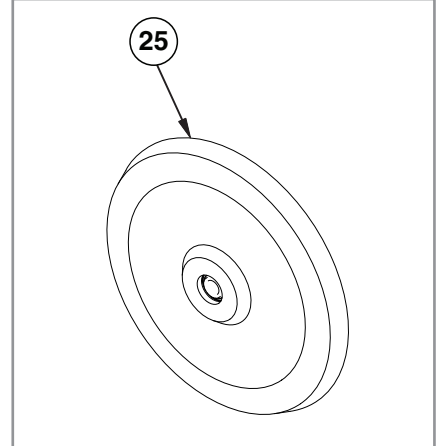
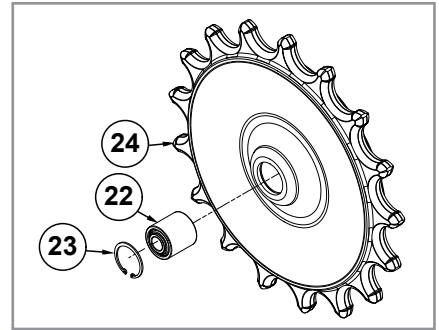
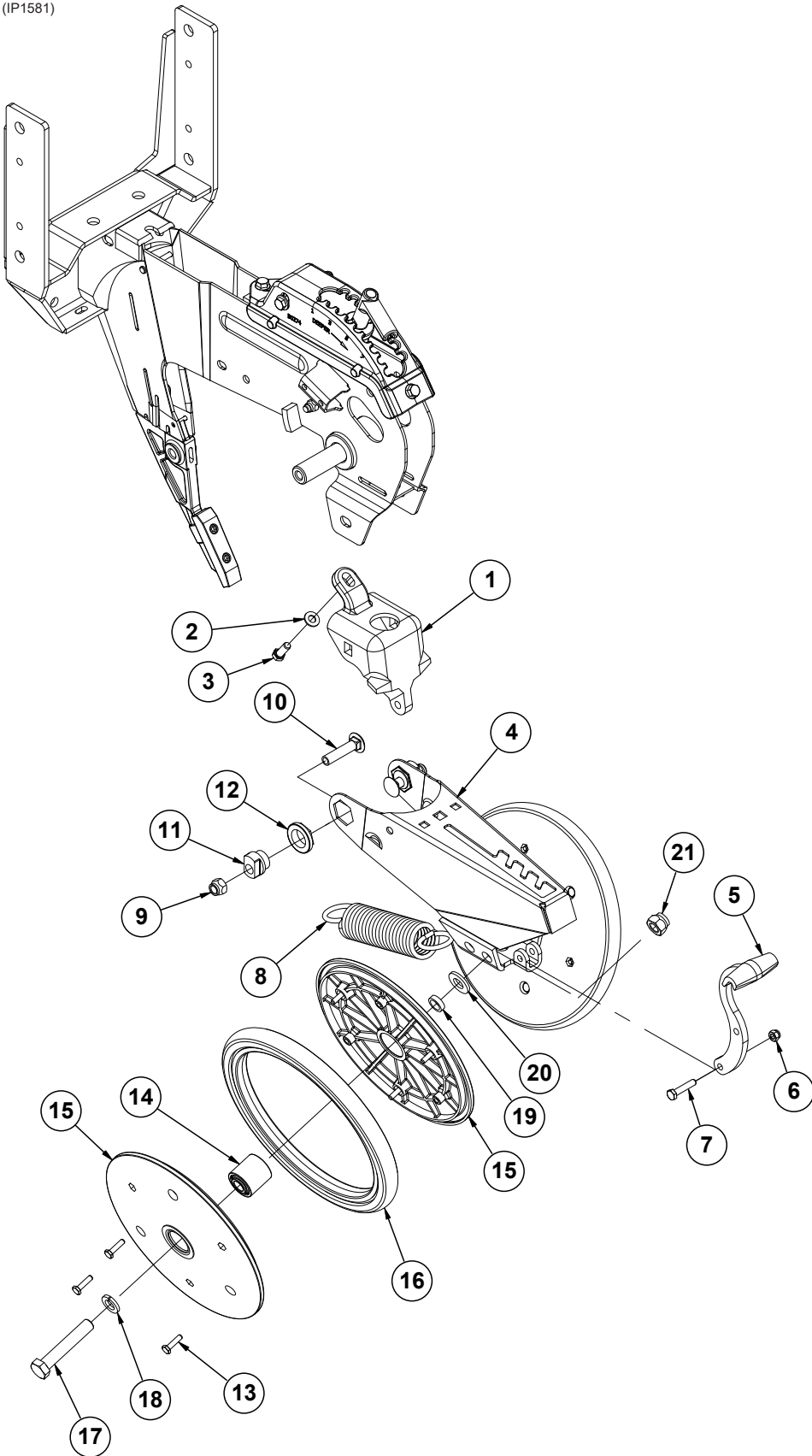
| ITEM | PART NO. | QTY. (Per Row) | DESCRIPTION |
|------|-----------|-------------------|--|
| 1 | --- | - | See "Shank Assembly, Seed Tube, and Depth Adjustment" on page P3 |
| 2 | GD11306 | 1 | Disc Blade, 3.5 mm x 15" |
| 3 | GD30725 | 10 | Machine Bushing, 5/8" (.030" Thick) (5 Per) |
| 4 | G10204 | 2 | Special Machine Bushing, 5/8" x 1" O.D. |
| 5 | GD36856 | 1 | Opener Blade Bolt, 5/8"-11 x 1 3/4", Grade 5 |
| | G10005 | 1 | Hex Head Cap Screw, 5/8"-11 x 1 3/4" |
| 6 | G10090401 | 2 | Plastic Ribbed Hub Cap (1 Per) |
| 7 | GA2012L | 1 | Disc Scraper, L.H. |
| 8 | G10002 | 2 | Hex Head Cap Screw, 3/8"-16 x 3/4" |
| 9 | G10325 | 1 | Hex Head Cap Screw, 3/8"-16 x 2 3/4" |
| 10 | GA2012R | 1 | Disc Scraper, R.H. |
| 11 | GD35444 | 1 | Seed Tube Bracket |
| 12 | GD2971-26 | 1 | Sleeve, 3/8" I.D x 5/8" O.D. x 1.63" Long |
| 13 | G10622 | 3 | Serrated Flange Nut, 3/8"-16 |
| 14 | GD36990 | 6 | Rivet, 1/4" x 9/16" |
| 15 | GA26920 | 1 | Bearing |
| 16 | GD36860 | | Bearing Housing |
| A | G10018801 | - | Disc Blade/Bearing Assembly, Less Dust Cap (Items 2, 14-16) |

(IP1580)



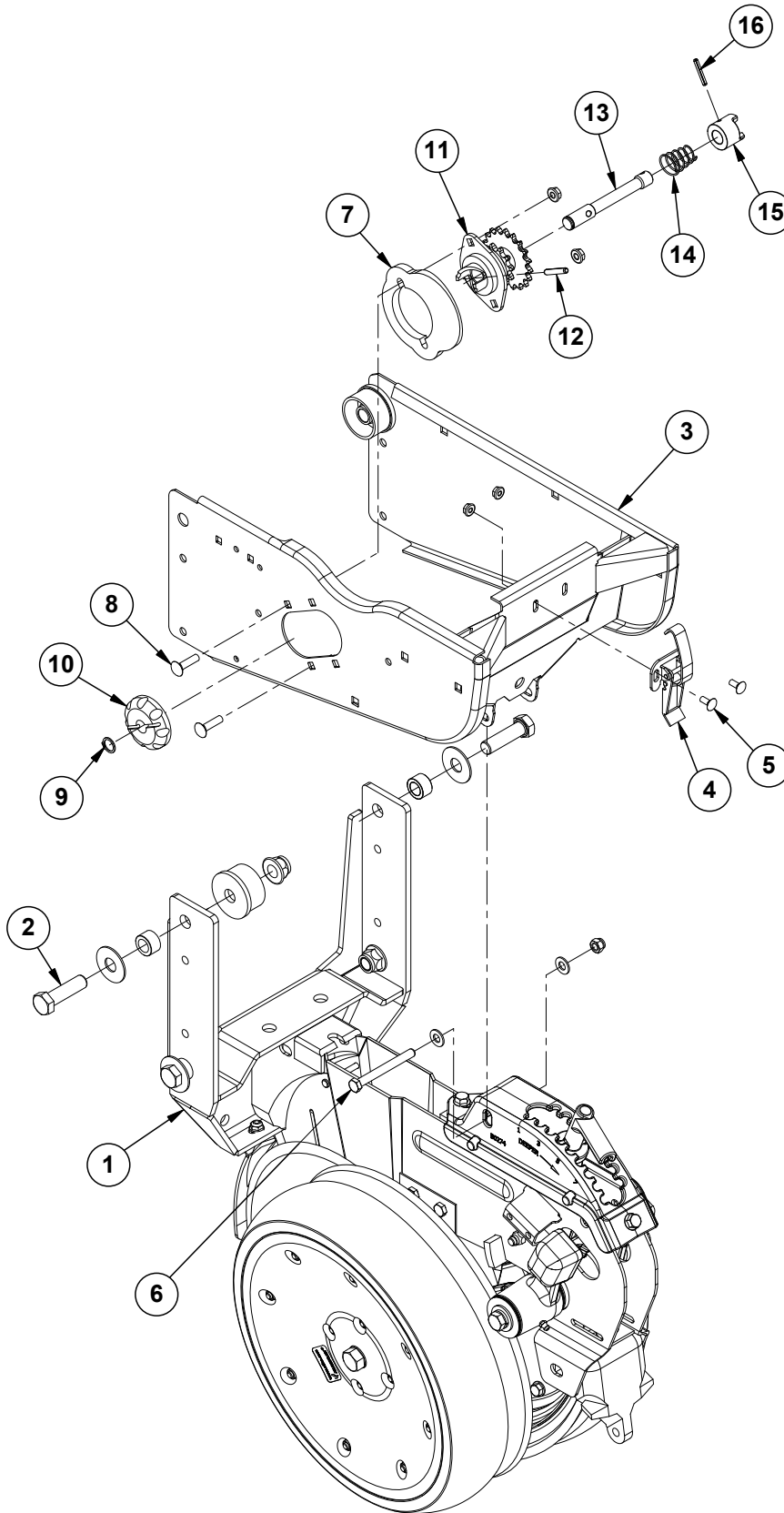
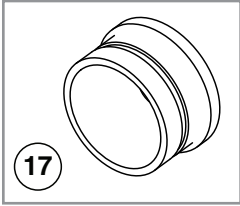
| ITEM | PART NO. | QTY. (Per Row) | DESCRIPTION |
|------|-----------|-------------------|---|
| 1 | --- | - | See "15" Seed Opener Disc Blade/Bearing Assembly and Scrapers" on page P7 |
| 2 | G10940 | 7 | Machine Bushing, 1" (.048" Thick) |
| 3 | G10228 | 2 | Lock Washer, 1/2" |
| 4 | G10014 | 2 | Hex Head Cap Screw, 1/2"-13 x 1" |
| 5 | G10216 | 2 | Washer, 1/2" USS |
| 6 | GA21677 | 1 | Wheel Arm W/Grease Fitting, Bushings, and Seals, L.H. (Shown) |
| | GA21676 | - | Wheel Arm W/Grease Fitting, Bushings, and Seals, R.H. |
| | GD10991 | 2 | Seal (Per Arm) (Included W/GA21677 and GA21676) |
| | GB0276 | 2 | Bushing, 1" I.D. x 1 1/4" O.D. x 1" Long (Per Arm) (Included W/GA21677 and GA21676) |
| 7 | G10204 | 1 | Special Machine Bushing, 5/8" x 1" O.D. |
| 8 | G10031 | 8 | Carriage Bolt, 5/16"-18 x 1 3/4" |
| | G11386 | 8 | Flat Washer, 5/16" SAE |
| 9 | G10028701 | 1 | Half Gauge Wheel |
| | G10019 | 4 | Hex Head Cap Screw, 5/16"-18 x 1" |
| | G11386 | 4 | Flat Washer, 5/16" SAE |
| 10 | GD36713 | 2 | Gauge Wheel Dust Shield |
| 11 | GA6171 | 1 | Bearing |
| 12 | GD36709 | 1 | Half Gauge Wheel |
| 13 | G10109 | 12 | Lock Nut, 5/16"-18 |
| | G11386 | 12 | Flat Washer, 5/16" SAE |
| 14 | G10230 | 1 | Lock Washer, 5/8" |
| 15 | G10010 | 1 | Hex Head Cap Screw, 5/8"-11 x 3" |
| 16 | G10028601 | 1 | Tire, 4 1/2" x 16 |
| 17 | G10335001 | 6 | Flanged Lock Nut, M8 |
| 18 | G10334701 | 1 | Hub |
| 19 | G10334901 | 1 | Wheel Flange |
| 20 | G10335101 | 6 | Screw, M8 x 30 |
| 21 | G11386 | 6 | Flat Washer, 5/16" |
| 22 | G10335201 | 1 | Elastic Ring |
| 23 | G10334801 | 1 | Wheel Flange |
| A | G10028801 | - | Standard Gauge Wheel Complete (Items 8-13 and 16) |
| B | G10322501 | - | Spoked Gauge Wheel Complete (Items 10-11 and 16-23) |
| C | G1K296 | - | Gauge Wheel Arm Bushing and Seal Driver Kit, Includes: (1) Seal Driver, (1) Bushing Driver, (1) Instruction Sheet |

(IP1581)



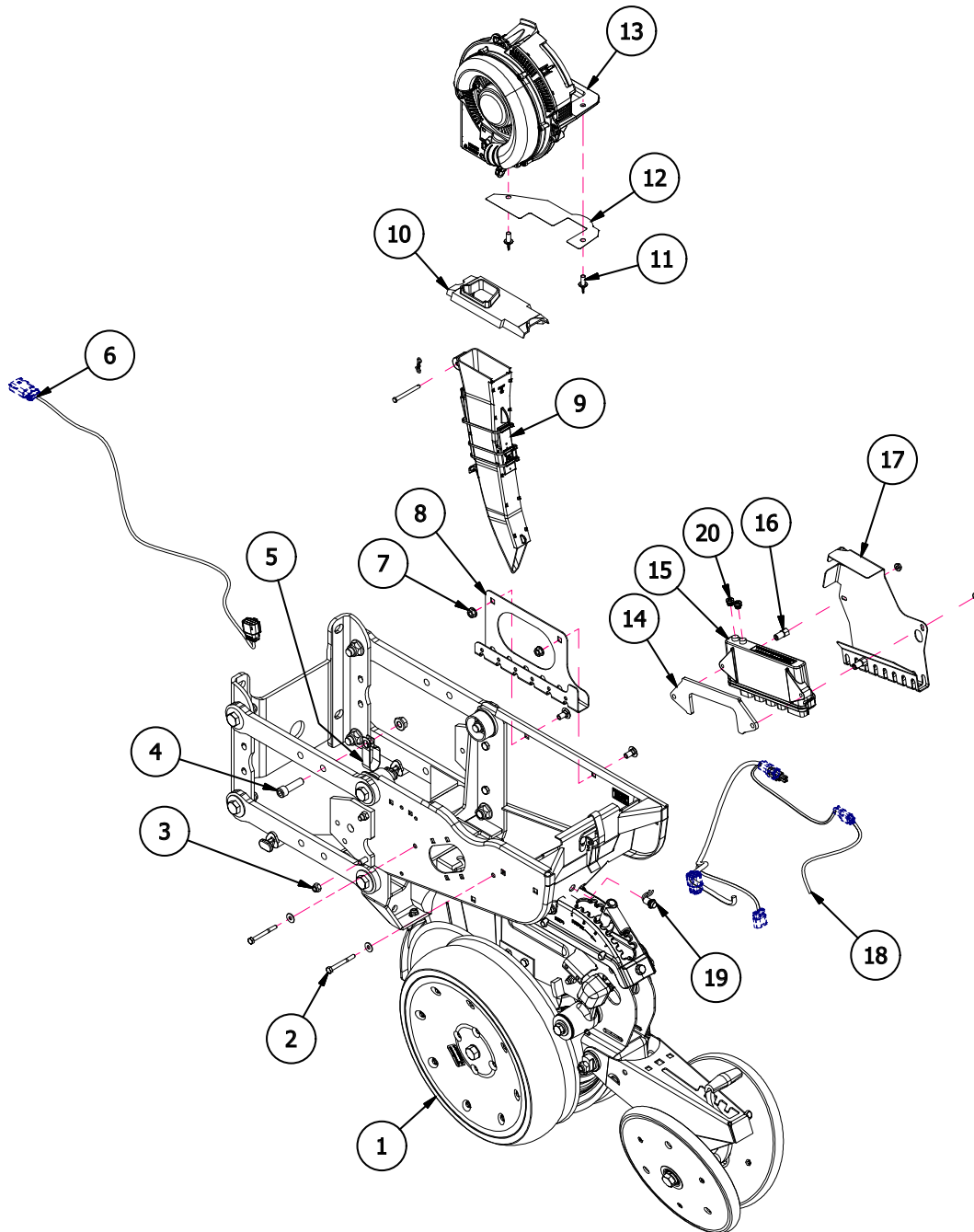
| ITEM | PART NO. | QTY. (Per Row) | DESCRIPTION |
|------|----------|-------------------|---|
| 1 | GB0268 | 1 | Wheel Arm Mount |
| 2 | G11387 | 1 | Flat Washer, 3/8" SAE |
| 3 | G10001 | 1 | Hex Head Cap Screw, 3/8"-16 x 1" |
| 4 | GA15197 | 1 | Closing Wheel Arm |
| 5 | GB0254 | 1 | Lever |
| 6 | G10109 | 1 | Lock Nut, 5/16"-18, Grade 8 |
| 7 | G10133 | 1 | Hex Head Cap Screw, 5/16"-18 x 1 1/2" |
| 8 | GD8460 | 1 | Spring |
| 9 | G10111 | 2 | Lock Nut, 1/2"-13 |
| 10 | G11419 | 2 | Carriage Bolt, 1/2"-13 x 2 1/4" |
| 11 | GB0239 | 2 | Eccentric Bushing |
| 12 | GB0282 | 2 | Stepped Bushing |
| 13 | G10064 | 6 | Hex Head Cap Screw, 1/4"-20 x 1" |
| 14 | GA6171 | 1 | Bearing |
| 15 | GD9120 | 2 | Nylon Half Wheel |
| 16 | GD1085 | 1 | Rubber Tire, 1" x 12" |
| 17 | G10013 | 2 | Hex Head Cap Screw, 5/8"-11 x 3 1/2" |
| 18 | G10230 | 2 | Lock Washer, 5/8" |
| 19 | GD1109 | 2 | Bushing, 4 1/4" I.D. x 7/8" O.D. x 1/4" Long |
| 20 | G11391 | 2 | Flat Washer, 5/8" SAE |
| 21 | G10107 | 2 | Lock Nut, 5/8"-11 |
| 22 | GA6171 | 1 | Bearing |
| 23 | G11862 | 1 | Internal Retaining Ring |
| 24 | GD36895 | 1 | Spiked Closing Wheel |
| 25 | GA6597 | 1 | Cast Iron Closing Wheel W/Bearing |
| | GA6171 | 1 | Bearing |
| 26 | G1K345 | - | Closing Wheel Shield Kit W/Hardware and Instruction |
| | GD26146 | 1 | Closing Wheel Shield (Included W/G1K345) |
| | G10599 | 1 | Carriage Bolt, 3/8"-16 x 1 1/4" (Included W/G1K345) |
| | G10308 | 2 | Carriage Bolt, 3/8"-16 x 3/4" (Included W/G1K345) |
| | G10101 | 3 | Hex Nut, 3/8"-16 (Included W/G1K345) |
| | G10229 | 3 | Lock Washer, 3/8" (Included W/G1K345) |
| | G11387 | 1 | Hardened Washer, 3/8" SAE (Included W/G1K345) |
| A | GA6434 | - | Rubber Closing Wheel Complete W/Bearing (Items 13-16) |
| B | GA26958 | - | Spiked Closing Wheel (Items 22-24) |

(IP1582)



| ITEM | PART NO. | QTY. (Per Row) | DESCRIPTION |
|------|-----------|-------------------|---|
| 1 | --- | 1 | See "15" Seed Opener Disc Blade/Bearing Assembly and Scrapers" on page P7 |
| 2 | G10752 | 2 | Hex Head Cap Screw, 5/8"-18 x 2 1/4" |
| 3 | G10329801 | 1 | Hopper Support |
| 4 | GA2007 | 1 | Hopper Hold Down Latch |
| 5 | G10309 | 2 | Carriage Bolt, 1/4"-20 x 5/8", Grade 2 |
| | G10621 | 2 | Serrated Flange Nut, 1/4"-20 |
| 6 | G10061 | 1 | Hex Head Cap Screw, 3/8"-16 x 3 1/2" |
| | G11387 | 2 | Flat Washer, 3/8" SAE |
| | G10108 | 1 | Lock Nut, 3/8"-16 |
| 7 | GB0331 | 1 | Clutch Adapter Plate |
| 8 | G10338 | 2 | Carriage Bolt, 5/16"-18 x 1 1/4" |
| | G10620 | 2 | Serrated Flange Nut, 5/16"-18 |
| 9 | G10567 | 1 | External Retaining Ring, 5/8" |
| 10 | GD11239 | 1 | Knob |
| 11 | GA12143 | 1 | Double Sprocket and Bearing, Drive Clutch, 11/28 Tooth (Vacuum) |
| 12 | G10602 | 1 | Spring Pin, 1/4" x 1 1/2" |
| 13 | GD29507 | 1 | Clutch Shaft |
| 14 | GD11413 | 1 | Spring |
| 15 | GB0278 | 1 | Coupler |
| 16 | G10546 | 1 | Spring Pin, 3/16" x 1 1/4" |
| 17 | GD17052 | - | Vacuum Plug |
| A | GA20640 | - | Seed Meter Clutch Assembly, 11/28 Tooth (Items 9-16) (Vacuum) |

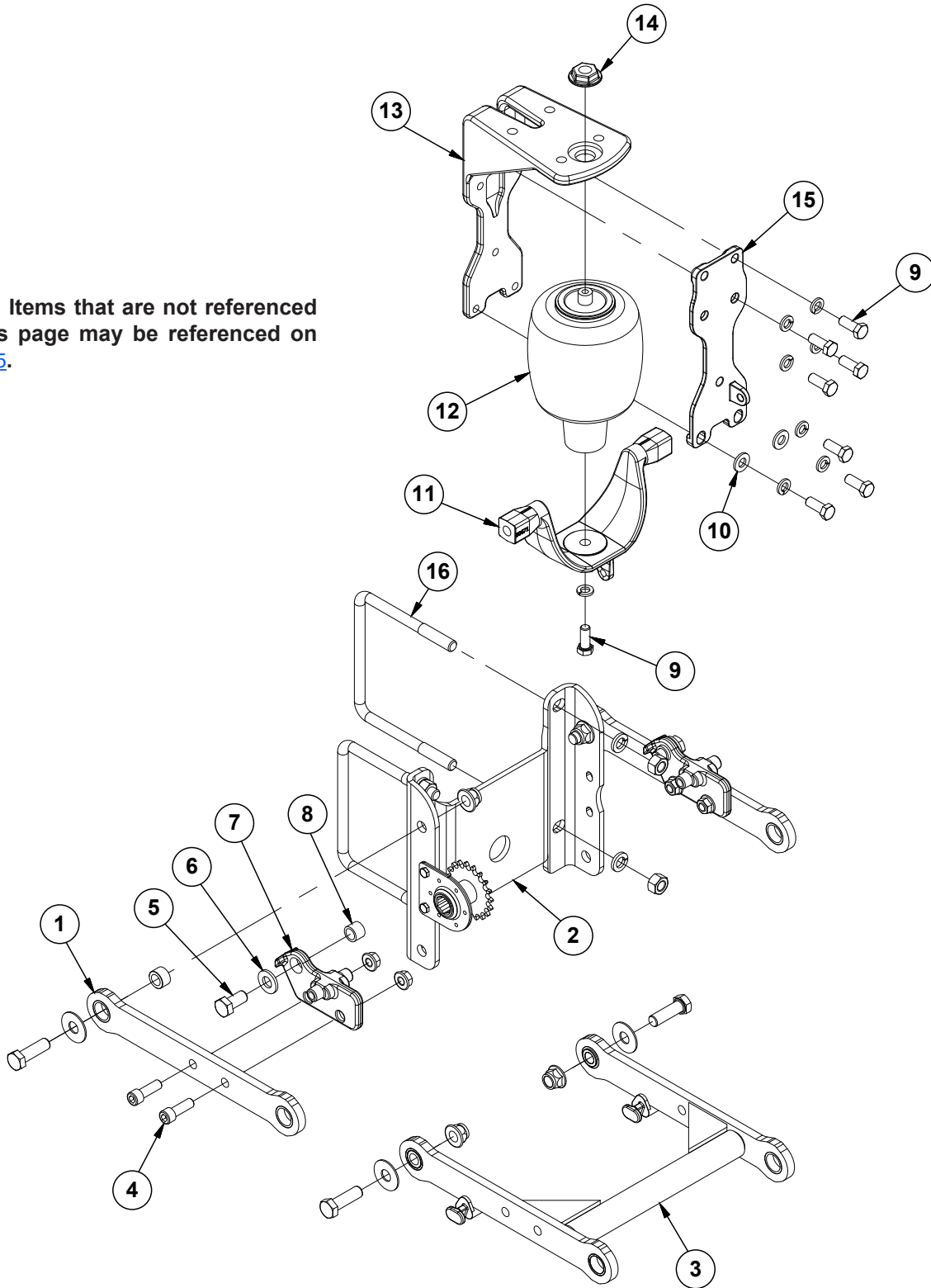
(IP1639)



| ITEM | PART NO. | QTY. (Per Row) | DESCRIPTION |
|------|-----------|-------------------|--|
| 1 | --- | - | See "Parallel Arms, Mounting Support Plate, and Quick Adjustable Down Force Springs Option" on page P5 |
| 2 | G11958 | 2 | Hex Head Cap Screw, 1/4"-20 x 2-1/2", Grade 5 |
| | G10621 | 2 | Serrated Flange Nut, 1/4"-20 |
| | G10209 | 2 | Washer, 1/4" USS |
| 3 | G10108 | 1 | Lock Nut, 3/8"-16 |
| | G10003 | 1 | Hex Head Cap Screw, 3/8"-16 x 1 1/2" |
| 4 | G10116601 | 1 | Hex Socket Head Cap Screw, 1/2"-13 x 1-3/4" |
| | G10071 | 1 | Serrated Flange Nut, 1/2"-13 |
| 5 | GD36388 | 1 | 1" Double Tube Clamp, 1/2" Bolt |
| 6 | GA25029 | 1 | Row Unit Power Extension Harness |
| 7 | G10622 | 2 | Serrated Flange Nut, 3/8"-16 |
| | G10308 | 2 | Carriage Bolt, 3/8"-16 x 3/4" |
| 8 | GD35058 | 1 | Row Unit Meter Wire Tray |
| 9 | GA20914 | 1 | Seed Tube Sensor |
| 10 | GB0926 | 1 | Shank Cover |
| 11 | G11009 | 2 | Locking Thumbscrew, 5/16"-18 x 3/4" |
| 12 | GD29413 | 1 | Hopper Shim (Not used with regular hoppers) |
| 13 | --- | - | See "Vacuum Seed Meter" on page P21 |
| 14 | GD35629 | 1 | IPN Row Unit Plate |
| 15 | GA25949 | 1 | IPN Module Assembly |
| 16 | GD35609 | 2 | Hex Standoff |
| 17 | G10146001 | 1 | IPN Wire Shield |
| 18 | GA25038 | 1 | Row Unit Seed Meter Harness |
| 19 | GA15485 | 1 | Switch |
| 20 | GD30726 | 2 | Socket Dust Cover, M12 |

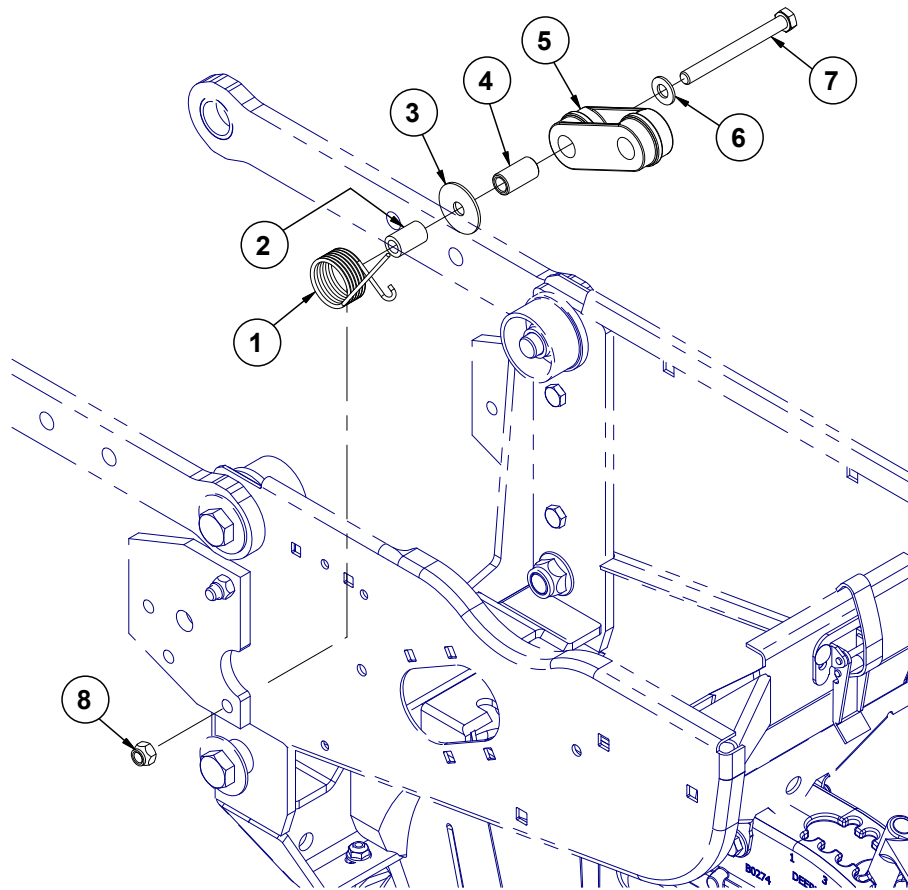
(IP1640)

NOTE: Items that are not referenced on this page may be referenced on [page P5](#).



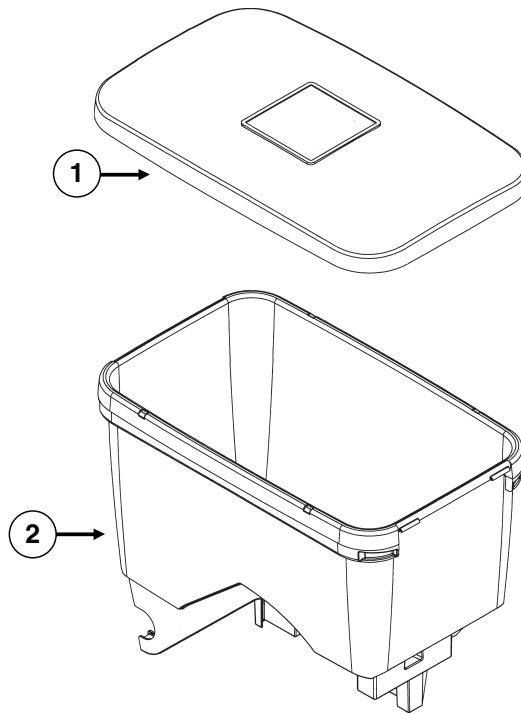
| ITEM | PART NO. | QTY. (Per Row) | DESCRIPTION |
|------|-----------|-------------------|--|
| 1 | --- | - | See "Parallel Arms, Mounting Support Plate, and Quick Adjustable Down Force Springs Option" on page P5 |
| 2 | GD10036 | 1 | Mounting Support Plate |
| 3 | --- | - | See "Parallel Arms, Mounting Support Plate, and Quick Adjustable Down Force Springs Option" on page P5 |
| 4 | G11220 | 4 | Hex Socket Cap Screw, 1/2"-13 x 1 1/2" |
| | G10071 | 4 | Serrated Flange Nut, 1/2"-13 |
| 5 | G11018 | 2 | Hex Head Cap Screw, 5/8"-18 x 1 1/4" |
| 6 | G11391 | 2 | Flat Washer, 5/8" SAE |
| 7 | GB0395 | 2 | Bracket |
| 8 | GD3180-30 | 2 | Sleeve, 7/8" O.D. x 5/8" I.D. x 2 1/32" |
| 9 | G10037 | 8 | Hex Head Cap Screw, 1/2"-13 x 1 1/4" |
| | G10228 | 8 | Lock Washer, 1/2" |
| 10 | G11389 | 2 | Flat Washer, 1/2" SAE |
| 11 | GD23995 | 1 | Saddle |
| 12 | GA11982 | 1 | Air Spring Assembly |
| 13 | GB0396 | 1 | Head Mount |
| 14 | GB0397 | 1 | Shoulder Nut, 3/4"-16 |
| 15 | GB0393 | 1 | Plate |
| 16 | --- | - | See "Parallel Arms, Mounting Support Plate, and Quick Adjustable Down Force Springs Option" on page P5 |

(IP1583)



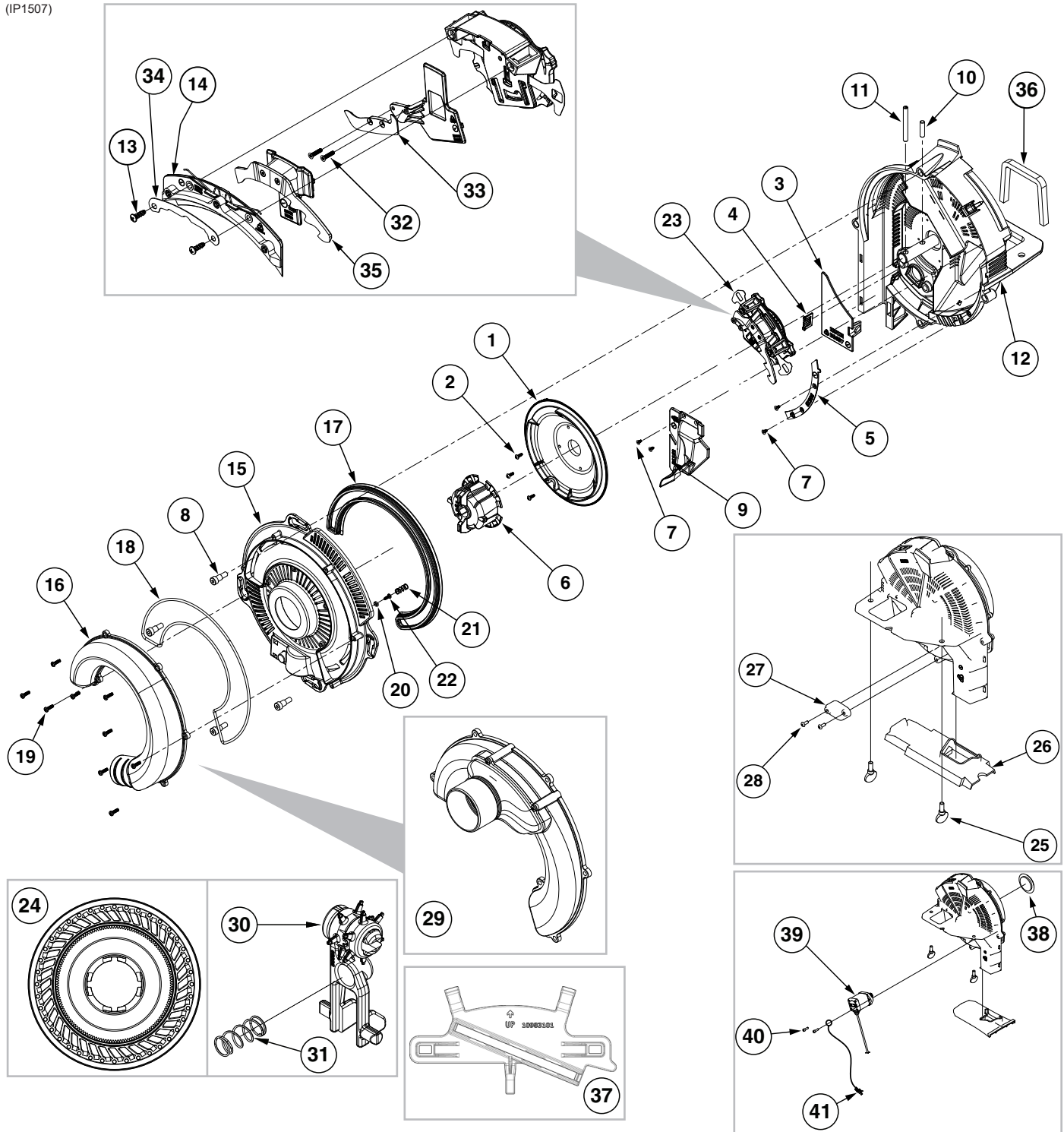
| ITEM | PART NO. | QTY. (Per Row) | DESCRIPTION |
|------|----------|-------------------|--------------------------------------|
| 1 | GD1065 | 1 | Idler Spring |
| 2 | GD7318 | 1 | Sleeve, 1" Long |
| 3 | G10201 | 1 | Special Washer, 3/8" x 1 1/2" O.D. |
| 4 | GD1026 | 1 | Sleeve, 1 3/16" Long |
| 5 | GD11962 | 1 | Idler |
| 6 | G11387 | 1 | Flat Washer, 3/8" SAE |
| 7 | G10326 | 1 | Hex Head Cap Screw, 3/8"-16 x 3 3/4" |
| 8 | G10108 | 1 | Lock Nut, 3/8"-16 |

(METR12/RU87e)



| ITEM | PART NO. | QTY. | DESCRIPTION |
|------|----------|------|--|
| 1 | GD11279 | 1 | Lid |
| 2 | GA24873 | 1 | Seed Hopper (Vacuum) |
| | GD12561 | - | Threaded Insert, 5/16"-18 (Included W/GA20254) |

(IP1507)



| ITEM | PART NO. | QTY. | DESCRIPTION |
|------|----------|------|---|
| 1 | GB0815 | 1 | Shield |
| 2 | G11619 | 3 | Phillips Pan Head Tapping Screw, No. 6-19 x 3/8" |
| 3 | GB0697 | 1 | Chute Cover |
| 4 | GB0780 | 1 | Brush |
| 5 | GB0823 | 1 | Baffle |
| 6 | GB1147 | 1 | Disc Hub |
| 7 | G11618 | 4 | Torx Flat Head Tapping Screw, No. 6-19 x 1/4" |
| 8 | G11172 | 4 | Hex Socket Head Shoulder Screw, 1/4"-20 x 3/8", Stainless Steel |

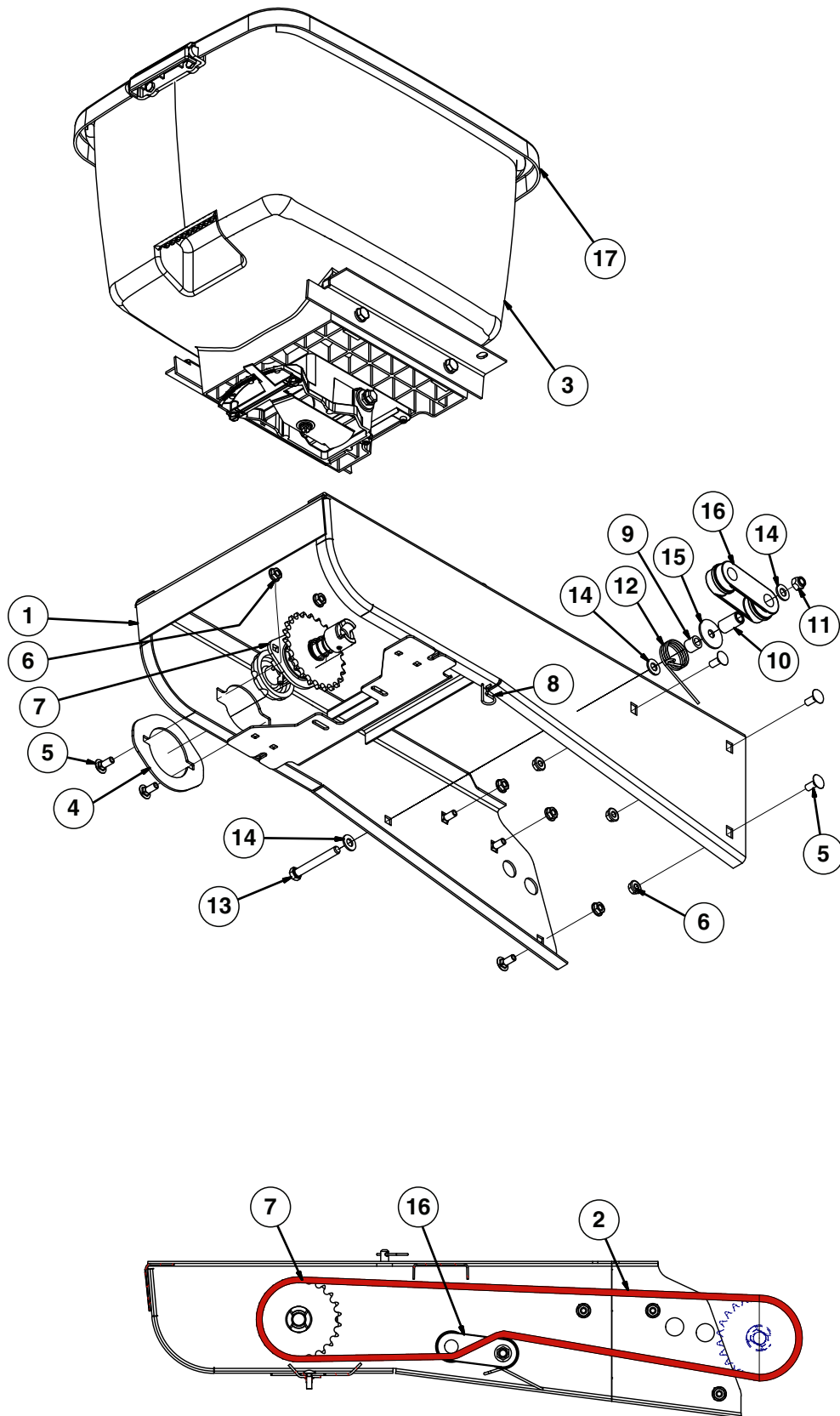
Vacuum Seed Meter

M0311-02

Model 3505

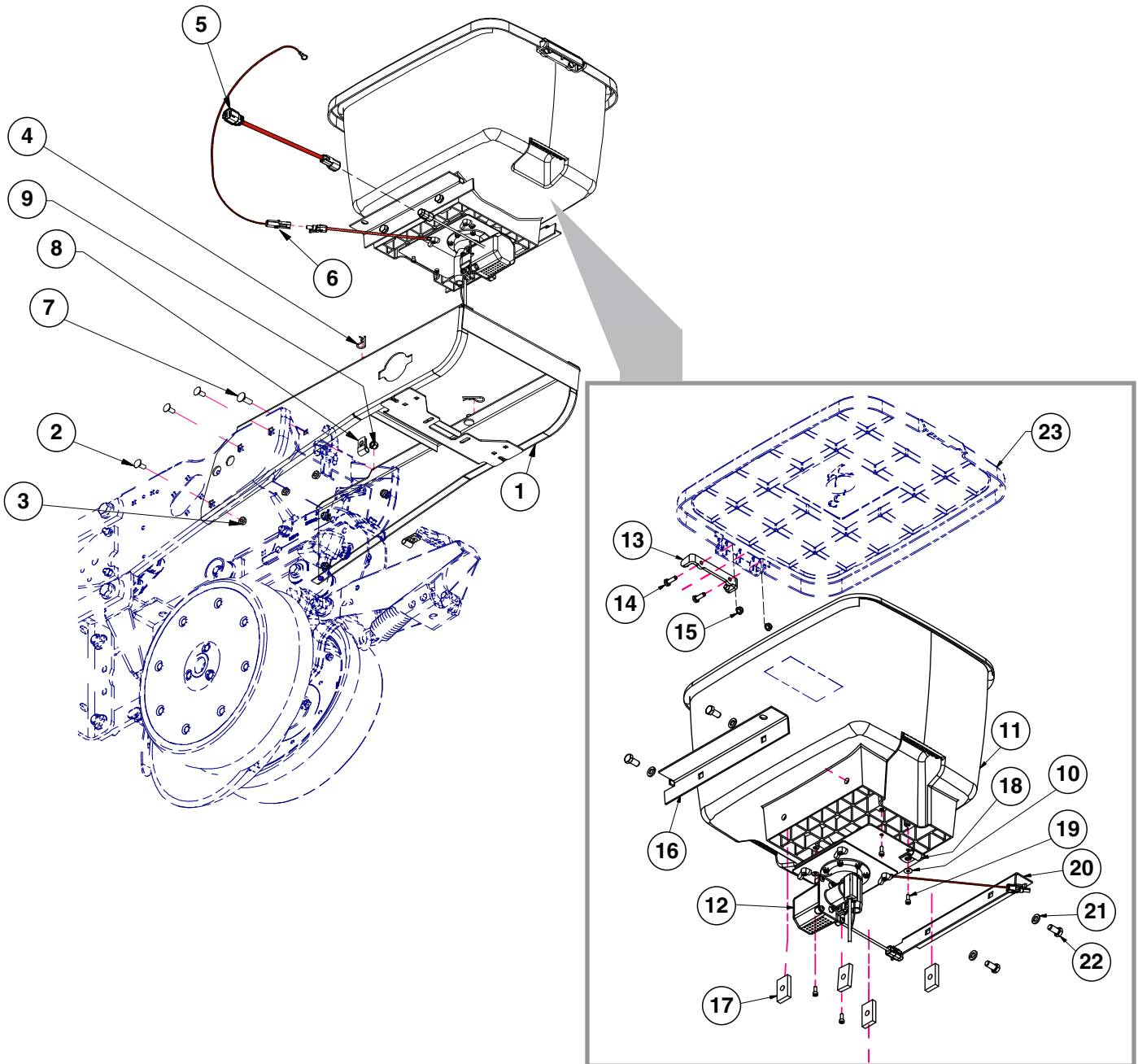
| | | | |
|----|-----------|---|--|
| 9 | GA24878 | 1 | Brush Assembly |
| 10 | G11448 | 1 | Pin, ¼" x 1" |
| 11 | G10475 | 1 | Spring Pin, ¼" x 2¼" |
| 12 | GA24877 | 1 | Meter Housing W/Bearing |
| 13 | G11578 | 2 | Phillips Pan Head Tapping Screw, No. 8-18 x ½" |
| 14 | GA24676 | 1 | Singulator Guide Assembly |
| 15 | GB0920 | 1 | Cover |
| 16 | GB0818 | 1 | Vacuum Port, Pull Row Unit |
| 17 | GB0676 | 1 | Lip Seal |
| 18 | GD26593 | 1 | Gasket Housing |
| 19 | G11556 | 9 | Phillips Pan Head Tapping Screw, 6-19 x ½" |
| 20 | GB0907 | 1 | Retainer Spring |
| 21 | G10483101 | 1 | Compression Spring |
| 22 | G11619 | 1 | Phillips Pan Head Tapping Screw, No. 6-19 x ⅜" |
| 23 | GA24752 | 1 | Singulator Assembly (Includes Items 13 and 14) |
| 24 | G11152X | - | Seed Disc, Corn, 40 Cell, Light Blue Color-Coded, Ejector Wheel, and Spring |
| | G11046X | - | Seed Disc, Rapeseed, 83 Cell, Ejector Wheel, and Spring |
| | G11042X | - | Seed Disc, Wheat, 54 Cell, Ejector Wheel, and Spring |
| | G11332X | - | Seed Disc, Wheat, 231 Cell, Red Color-Coded, Ejector Wheel, and Spring |
| | G11047X | - | Seed Disc, Soybean, 120 Cell, Black Color-Coded, Ejector Wheel, and Spring |
| | G11048X | - | Seed Disc, Soybean, 60 Cell, Black Color-Coded, Ejector Wheel, and Spring |
| | G11154X | - | Seed Disc, Sugar Beets/Milo, Dark Orange Color-Coded, Ejector Wheel, and Spring |
| | G11153X | - | Seed Disc, Sunflower, 40 Cell, Gray Color-Coded, Ejector Wheel, and Spring |
| | G11105X | - | Seed Disc, Cotton, 60 Cell, Green Color-Coded, Ejector Wheel, and Spring |
| | G11106X | - | Seed Disc, Black Turtle and Navy Edible Bean and Popcorn, 60 Cell, Brown Color-Coded, Ejector Wheel, and Spring |
| | G11107X | - | Seed Disc, Pinto and Great Northern Edible Beans and Low-Rate Soybean, 60 Cell, Dark Blue Color Coded, Ejector Wheel, and Spring |
| 25 | G11009 | 2 | Locking Thumbscrew, ⅝"-18 x ¾" |
| 26 | GB0926 | 1 | Shank Cover |
| 27 | GD28631 | 1 | Cover Plate |
| 28 | G11281 | 2 | Hex Button Head Cap Screw, 10-24 x ½" |
| 29 | GA20111 | 1 | Vacuum Port, Push Row Unit |
| 30 | G10665101 | - | Ejector Arm, Corn |
| | G10483401 | - | Ejector Arm, Soybean (120 Cell) |
| | G10483201 | - | Ejector Arm, Soybean (60 Cell) |
| | G10665001 | - | Ejector Arm, Sunflower |
| | G10664901 | - | Ejector Arm, Beets/Milo |
| | G10614301 | - | Ejector Arm, Black Turtle, Navy, Pinto, and Great Northern Edible Bean, Popcorn, and Low-Rate Soybean, Cotton |
| | GA25550 | - | Ejector Arm, Rapeseed |
| | GA26989 | - | Ejector Arm, Wheat (54 Cell) |
| | G10936101 | - | Ejector Arm, Wheat (231 Cell) |
| 31 | G10483101 | - | Compression Spring |
| 32 | G11693 | 2 | Torx Flat Head Machine Screw, No. 4-40 x ½" |
| 33 | GB0921 | 1 | Lower Blade |
| 34 | GD29657 | 1 | Retainer |
| 35 | GB0958 | 1 | Outer Blade |
| 36 | GD34774 | 1 | Meter Gasket |
| 37 | G10983301 | 1 | Wheat Brush Singulator |
| | G10983101 | 1 | Wheat Brush Mount (Included W/G10983301) |
| | G10983201 | 1 | Brush (Included W/G10983301) |
| 38 | GD29425 | 1 | Dust Cap |
| 39 | G10299601 | 1 | Meter Stepper Motor |
| 40 | G11588 | 2 | Hex Socket Head Cap Screw, No. 10-24 x ⅝5/8" Grade 8 |
| 41 | GA20711 | 1 | Seed Meter Motor ESD Drain Harness |
| | GA20712 | 1 | Row Unit Seed Meter Harness (Both are used connected to each other) |
| A | G9903X | - | Vacuum Meter Assembly, Pull Row Unit (Excludes Items 24 and 29-31) |
| B | G9897X | - | Vacuum Meter Assembly, Push Row Unit (Excludes Items 16, 24, and 30-31) |
| C | GA20622 | - | Cover Assembly (Items 15-22) |

(A26370/A26319)



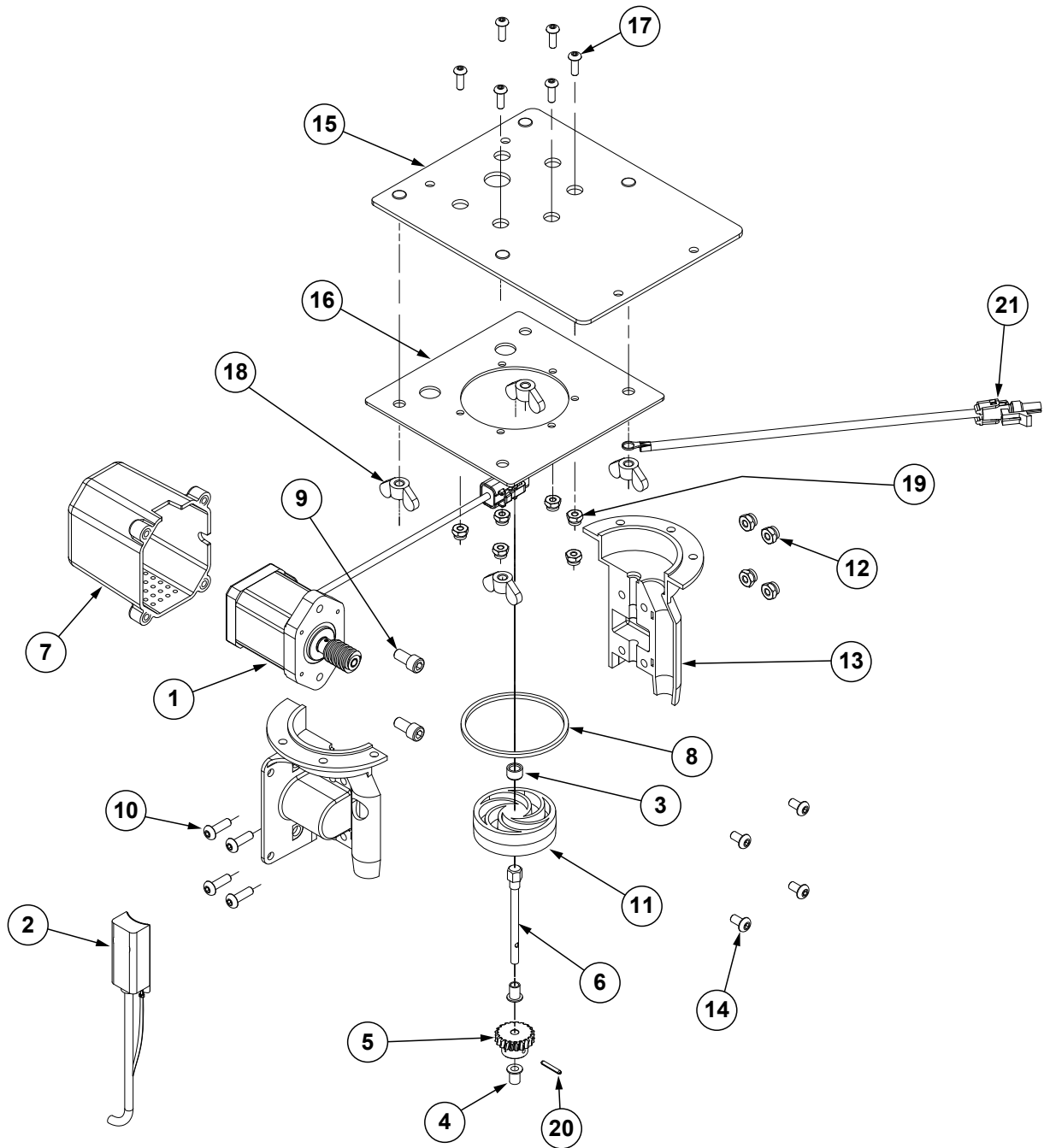
| ITEM | PART NO. | QTY. (Per Row) | DESCRIPTION |
|------|-----------|-------------------|--|
| 1 | GA26287 | 1 | Chemical Hopper Support |
| 2 | G3303-108 | 1 | Chain, No. 41, 108 Pitch Including Connector Link (Vacuum) |
| 3 | | | See "Granular Chemical Hopper and Hopper Panel Extension" on page P30 See "Granular Chemical Meter and Meter Drive" on page P29 |
| 4 | GD11305 | 1 | Clutch Mount Plate |
| 5 | G10312 | 8 | Carriage Bolt, 5/16"-18 x 3/4" |
| 6 | G10620 | 8 | Serrated Flange Nut, 5/16"-18 |
| 7 | GA8366 | 1 | Chemical Meter Clutch |
| 8 | G10670 | 2 | Hair Pin Clip, No. 3 |
| 9 | GD2971-10 | 1 | Sleeve, 9/16" Long |
| 10 | GD1026 | 1 | Sleeve, 1 3/16" |
| 11 | G10108 | 1 | Lock Nut, 3/8"-16 |
| 12 | GD11219 | 1 | Torsion Spring |
| 13 | G10325 | 1 | Hex Head Cap Screw, 3/8"-16 x 2 3/4" |
| 14 | G11387 | 3 | Hardened Washer, 3/8" SAE |
| 15 | G10201 | 1 | Special Washer, 3/8" x 1 1/2" O.D. |
| 16 | GD11962 | 1 | Idler |
| 17 | GA4444 | - | Insecticide Lid |

(A26335/A27180)



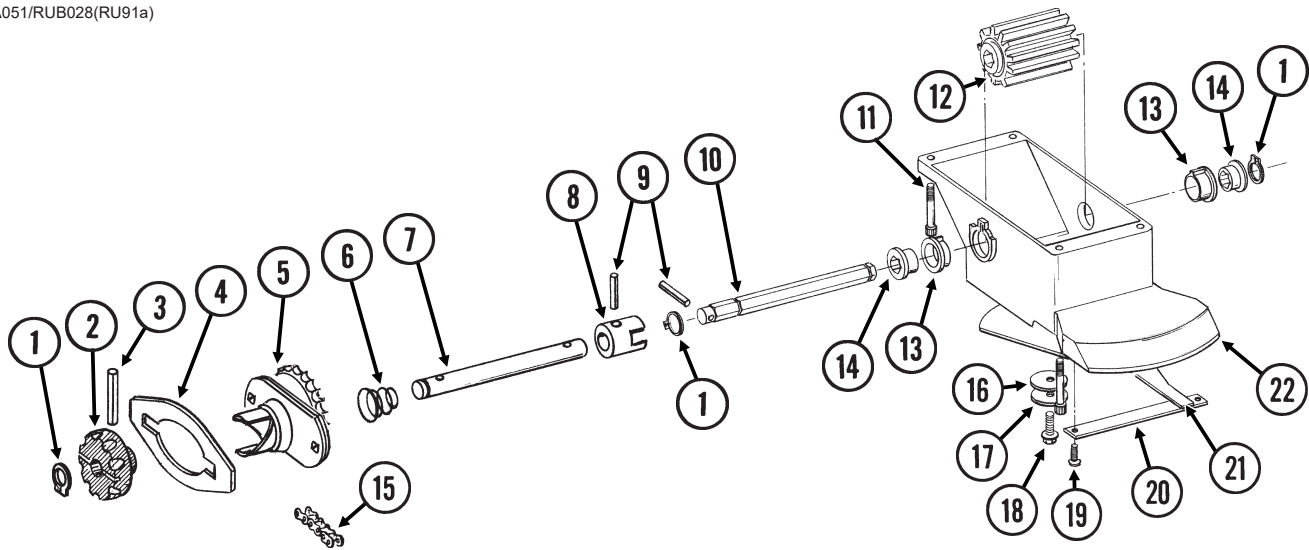
| ITEM | PART NO. | QTY. (Per Row) | DESCRIPTION |
|------|----------|-------------------|--|
| 1 | GA26287 | 1 | Chemical Hopper Support |
| 2 | G10312 | 6 | Carriage Bolt, 5/16"-18 x 3/4" |
| 3 | G10620 | 6 | Serrated Flange Nut, 5/16"-18 |
| 4 | G10670 | 2 | Hair Pin Clip, No. 3 |
| 5 | GA22522 | 1 | Insecticide Harness |
| 6 | GA20712 | 1 | Row Unit ESD Drain Harness |
| 7 | G10305 | 1 | Hex Head Cap Screw, 3/8"-16 x 1" |
| 8 | GD6291 | 1 | Insulated Clamp, 3/8" |
| 9 | G10108 | 1 | Lock Nut, 3/8"-16 |
| 11 | GA8371 | 1 | Chemical Hopper Assembly |
| 12 | GA26331 | 1 | Insecticide Meter Assembly |
| 13 | GD1060 | 1 | Hinge Bracket |
| 14 | G10023 | 2 | Hex Head Cap Screw, 1/4"-20 x 3/4" |
| 15 | G10621 | 2 | Serrated Flange Nut, 1/4"-20 |
| 16 | GD1059R | 1 | Support |
| 17 | GD11424 | 4 | Block |
| 18 | GD6291 | 1 | Insulated Clamp, 3/8" |
| 19 | G11998 | 4 | Hex Head Cap Screw, 10-24 x 1/2", Self-Locking, Yellow Loctite |
| 20 | GD1059L | 1 | Support |
| 21 | G10229 | 4 | Lock Washer, 3/8" |
| 22 | G10002 | 4 | Hex Head Cap Screw, 3/8"-16 x 3/4" |
| 23 | GA4444 | - | Insecticide Lid |

(A26331)



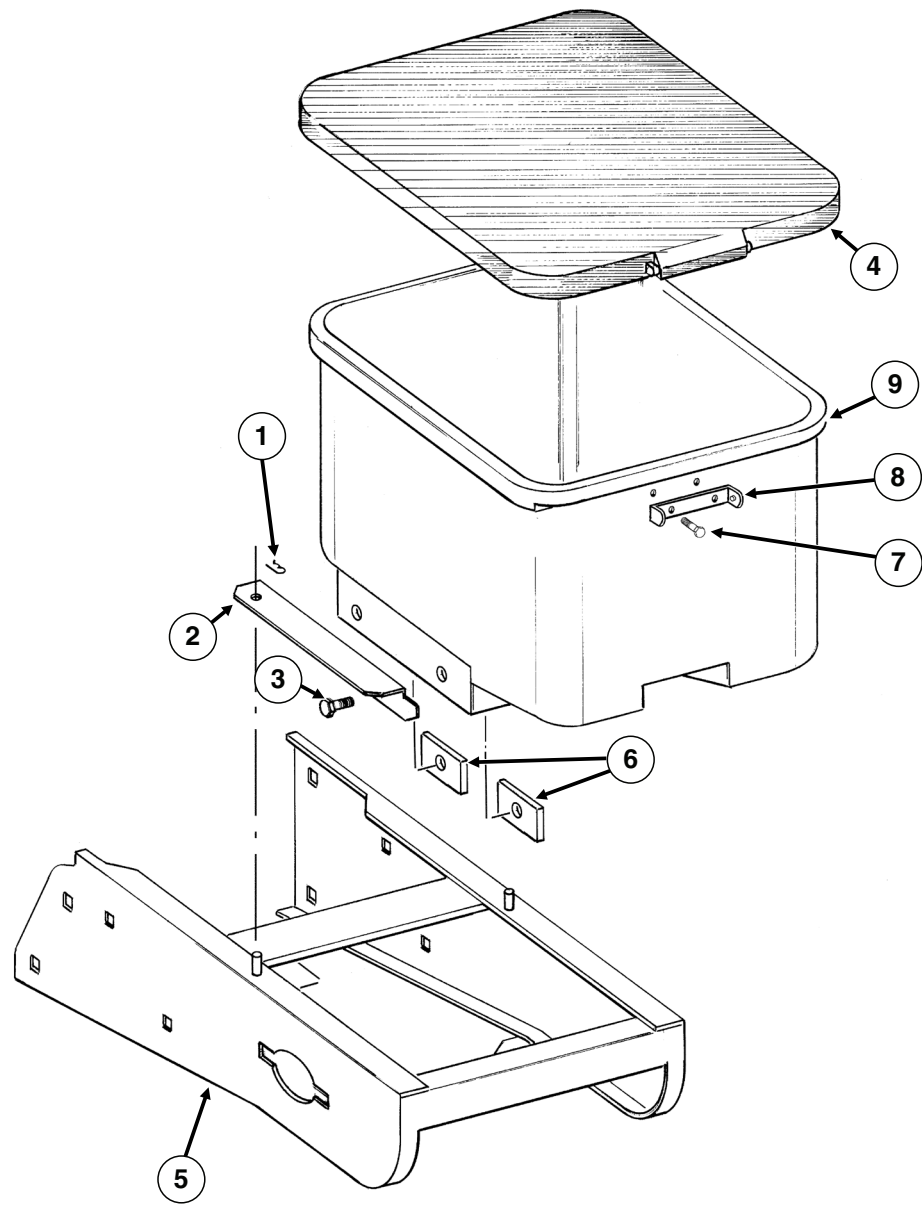
| ITEM | PART NO. | QTY. (Per Row) | DESCRIPTION |
|------|----------|-------------------|--|
| 1 | GA15473 | 1 | Step Motor, 3.5 AMP |
| 2 | GA24364 | 1 | Flow Sensor |
| 3 | GD22695 | 1 | Bearing Sleeve, $\frac{3}{8}$ " O.D. x $\frac{1}{4}$ " I.D. x $\frac{1}{4}$ " |
| 4 | GD22696 | 2 | Flange Bearing, $\frac{1}{4}$ " O.D. x $\frac{3}{16}$ " I.D. x $\frac{3}{8}$ " |
| 5 | GD29492 | 1 | Gear |
| 6 | GD29491 | 1 | Drive Shaft |
| 7 | GB0577 | 1 | Motor Cover |
| 8 | GD28515 | 1 | O-Ring |
| 9 | G10260 | 2 | Hex Socket Head Cap Screw, $\frac{1}{4}$ "-20 x $\frac{1}{2}$ " |
| 10 | G11447 | 4 | Hex Button Head Cap Screw, #10-24 x $\frac{5}{8}$ " |
| 11 | GB0579 | 1 | Insecticide Impeller |
| 12 | G11445 | 4 | Hex Locknut, #10-24 |
| 13 | GA18195 | 1 | Insecticide Housing |
| 14 | G10261 | 4 | Hex Button Head Cap Screw, #10-32 x $\frac{3}{8}$ " |
| 15 | GA26330 | 1 | Insecticide Mount |
| 16 | GD36333 | 1 | Insecticide Motor Mount Plate |
| 17 | GR1292 | 6 | Hex Socket Button Head Cap Screw, No. 8-32 x $\frac{1}{2}$ " |
| 18 | G10531 | 4 | Wing Nut W/Nylon Insert, $\frac{1}{4}$ "-20 |
| 19 | G11202 | 6 | Lock Nut W/Nylon Insert, No. 8-32, Stainless Steel |
| 20 | G11687 | 1 | Spring Slot Pin |
| 21 | GA20710 | 2 | Granular Chemical Motor ESD Drain Harness |

RUA051/RUB028(RU91a)



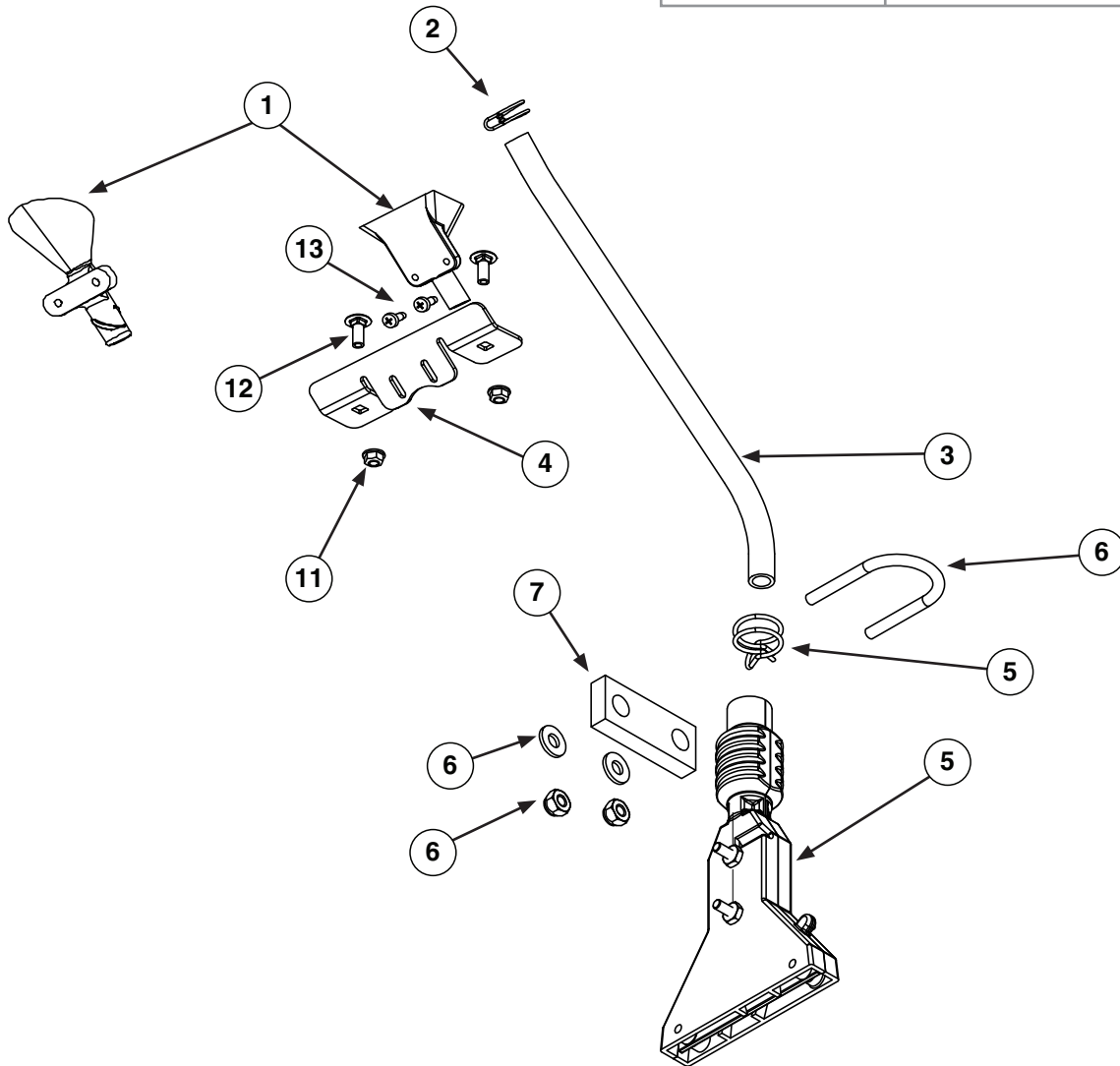
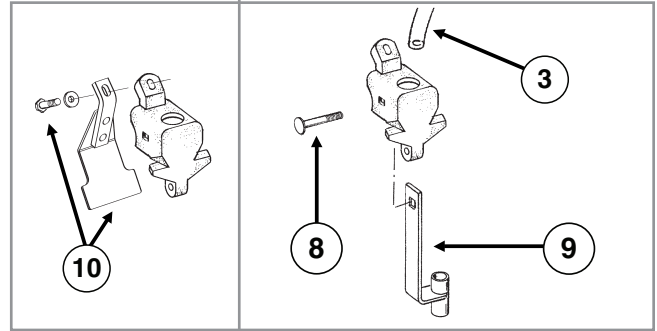
| ITEM | PART NO. | QTY. (Per Row) | DESCRIPTION |
|------|-----------|-------------------|--|
| 1 | G10567 | 3 | External Retaining Ring, 5/8" |
| 2 | GD11239 | 1 | Knob |
| 3 | G10602 | 1 | Spring Pin, 1/4" x 1 1/2" |
| 4 | GD11305 | 1 | Clutch Mount Plate |
| 5 | GA8364 | 1 | Sprocket And Bearing, Drive Clutch, 24 Tooth |
| 6 | GD11413 | 1 | Spring |
| 7 | GD11240 | 1 | Shaft |
| 8 | GB0278 | 1 | Coupler |
| 9 | G10546 | 2 | Spring Pin, 3/16" x 1 1/4" |
| 10 | GD11297 | 1 | Shaft |
| 11 | G11793 | 4 | Hex Socket Head Cap Screw, No. 10-24 x 7/8" |
| 12 | GD7148 | 1 | Feed Roller, Hex Bore |
| 13 | GB0115 | 2 | Bearing |
| 14 | GD7258 | 2 | Hex Bushing |
| 15 | G3303-114 | 1 | Chain, No. 41, 108 Pitch Including Connector Link (Vacuum) |
| | GR0196 | 1 | Connector Link, No. 41 |
| 16 | G10660 | 1 | Wave Washer, 1/2" |
| 17 | G11385 | 1 | Flat Washer, 1/4" SAE |
| 18 | G10570 | 1 | Slotted Hex Self-Tapping Screw, 1/4"-20 x 3/4" |
| 19 | G11073 | 2 | Slotted Hex Self-Tapping Screw, No. 10 x 3/8" |
| 20 | GD1061 | 1 | Support Strap |
| 21 | GD1063 | 1 | Metering Gate |
| 22 | GB0116 | 1 | Granular Housing |
| A | GA8326 | - | Granular Chemical Meter Complete (Items 1, 9, 10, 12-14 And 16-22) |
| B | GA8366 | - | Granular Chemical Meter Clutch (Items 1-3 and 5-9) |

(METR14d)

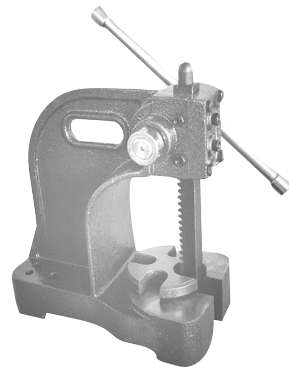


| ITEM | PART NO. | QTY. (Per Row) | DESCRIPTION |
|------|----------|-------------------|---|
| 1 | G10670 | 2 | Hair Pin Clip, No. 3 |
| 2 | GD1059L | 1 | Support, L.H. (Shown) |
| | GD1059R | 1 | Support, R.H. |
| 3 | G10002 | 4 | Hex Head Cap Screw, 3/8"-16 x 3/4" |
| | G10229 | 4 | Lock Washer, 3/8" |
| 4 | GA4444 | 1 | Lid |
| 5 | GA26287 | 1 | Hopper Panel Extension (Non-Stock Item) |
| 6 | GD11424 | 4 | Block |
| 7 | G10023 | 2 | Hex Head Cap Screw, 1/4"-20 x 3/4" |
| | G10621 | 2 | Serrated Flange Nut, 1/4"-20 |
| 8 | GD1060 | 1 | Hinge |
| 9 | GA8371 | 1 | Hopper |

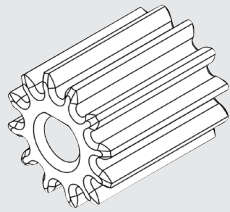
(A26370/A27180)



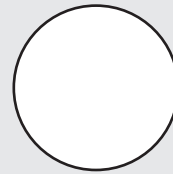
| ITEM | PART NO. | QTY. | DESCRIPTION |
|------|--------------------------|------|--|
| 1 | GD2423 or GD29423 | 1 | Funnel (Ground Contact Drive) |
| 2 | G11209 | 1 | Funnel, Anti-Static (Blue Drive) |
| 3 | G11209 | 1 | Wire Hose Clamp, 3/4" |
| 3 | GD2947 | 1 | Hose, 7/16" x 28" |
| 4 | GD36277 or GD26803 | 1 | Funnel Mount (Ground Contact Drive) |
| 4 | GD36277 or GD26803 | 1 | Funnel Mount (Blue Drive) |
| 5 | GA6906 | 1 | Granular Chemical Bander |
| 5 | G10864 | 1 | Uni-Clamp |
| 5 | G10757 | 2 | Pan Head Screw, No. 10-32 x 1 1/4" |
| 5 | G10758 | 2 | Hex Nut, No. 10-32 |
| 6 | GD10963 | 1 | U-Bolt, 1 1/2" x 1 5/16" x 1/4"-20 |
| 6 | G11385 | 2 | Flat Washer, 1/4" SAE |
| 6 | G10110 | 2 | Lock Nut, 1/4"-20, Grade B |
| 7 | GD10984 | 1 | Spacer |
| 8 | G10315 | 1 | Carriage Bolt, 1/2"-13 x 2 1/2" (Replaces Existing 1/2" x 2 1/4" Hardware) |
| 9 | GA6741 | 1 | Bracket (Straight Drop In-Furrow) |
| 10 | G1K385 | - | Bander Shield Kit W/Hardware And Instruction Sheet |
| 10 | G10003 | 1 | Hex Head Cap Screw, 3/8"-16 x 1 1/2" (Included W/G1K385) |
| 10 | G11387 | 1 | Flat Washer, 3/8" SAE (Included W/G1K385) |
| 11 | G10621 | 2 | Serrated Flange Nut, 1/4"-20 |
| 12 | G10310 | 2 | Carriage Bolt, 1/4"-20 x 3/4", Grade 2 |
| 13 | G10966 | 2 | Phillips Head Self-Tapping Screw, No. 10 x 1/2" |
| A | GA7270 | - | Bander Assembly (Includes all items under Item 5) |



1



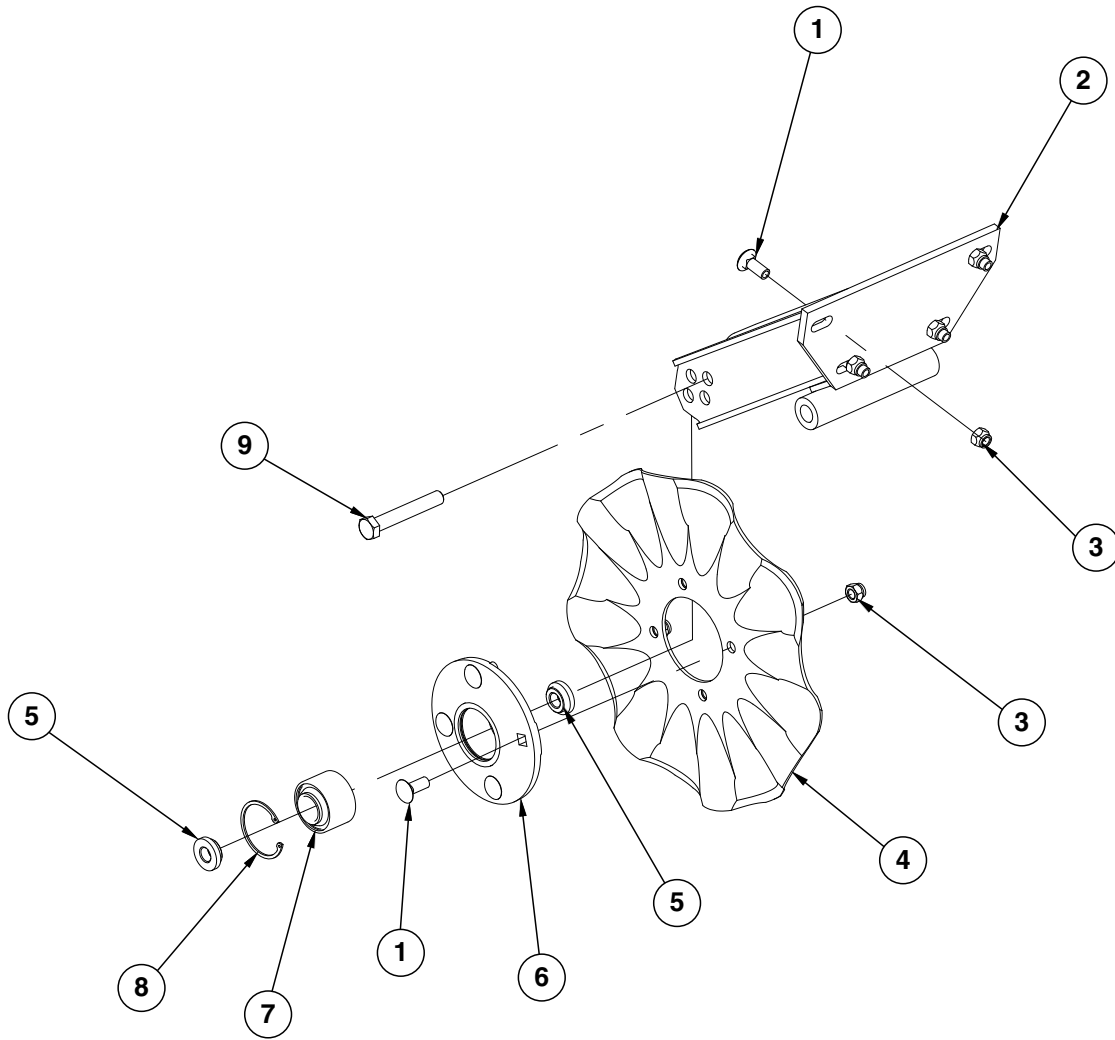
2



3

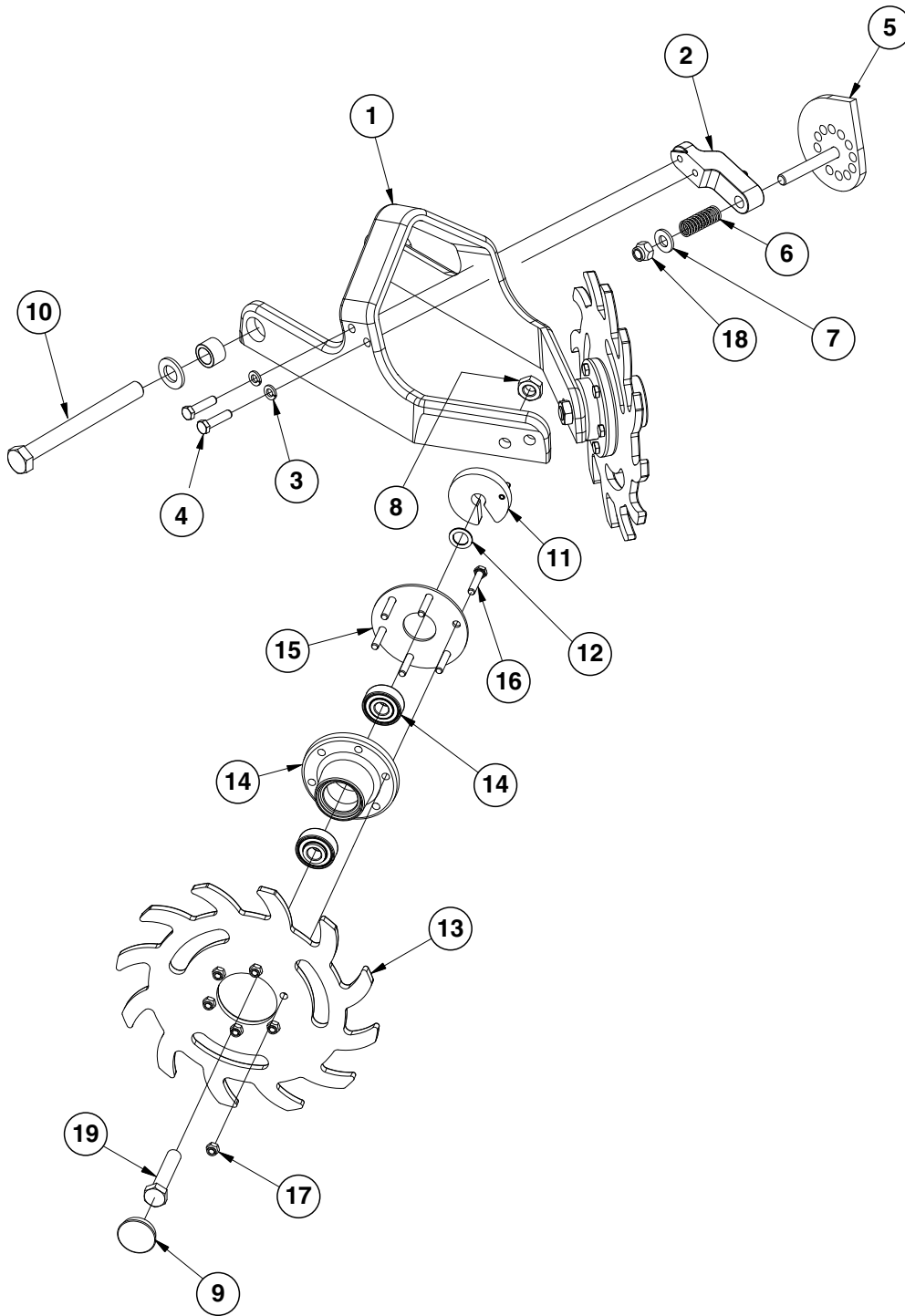
| ITEM | PART NO. | QTY. | DESCRIPTION |
|------|-----------|------|---|
| 1 | G1K728 | - | Seed Meter Stepper Motor Pinion Press Kit, Includes: (1) 1/2 Ton Arbor Press W/ Anvil, (1) Ring Puller W/Set Screw, (1) Instruction Sheet |
| 2 | GB1190 | - | Pinion Motor Gear |
| 3 | G7100-614 | - | Shaft Seal |

(IP1279)



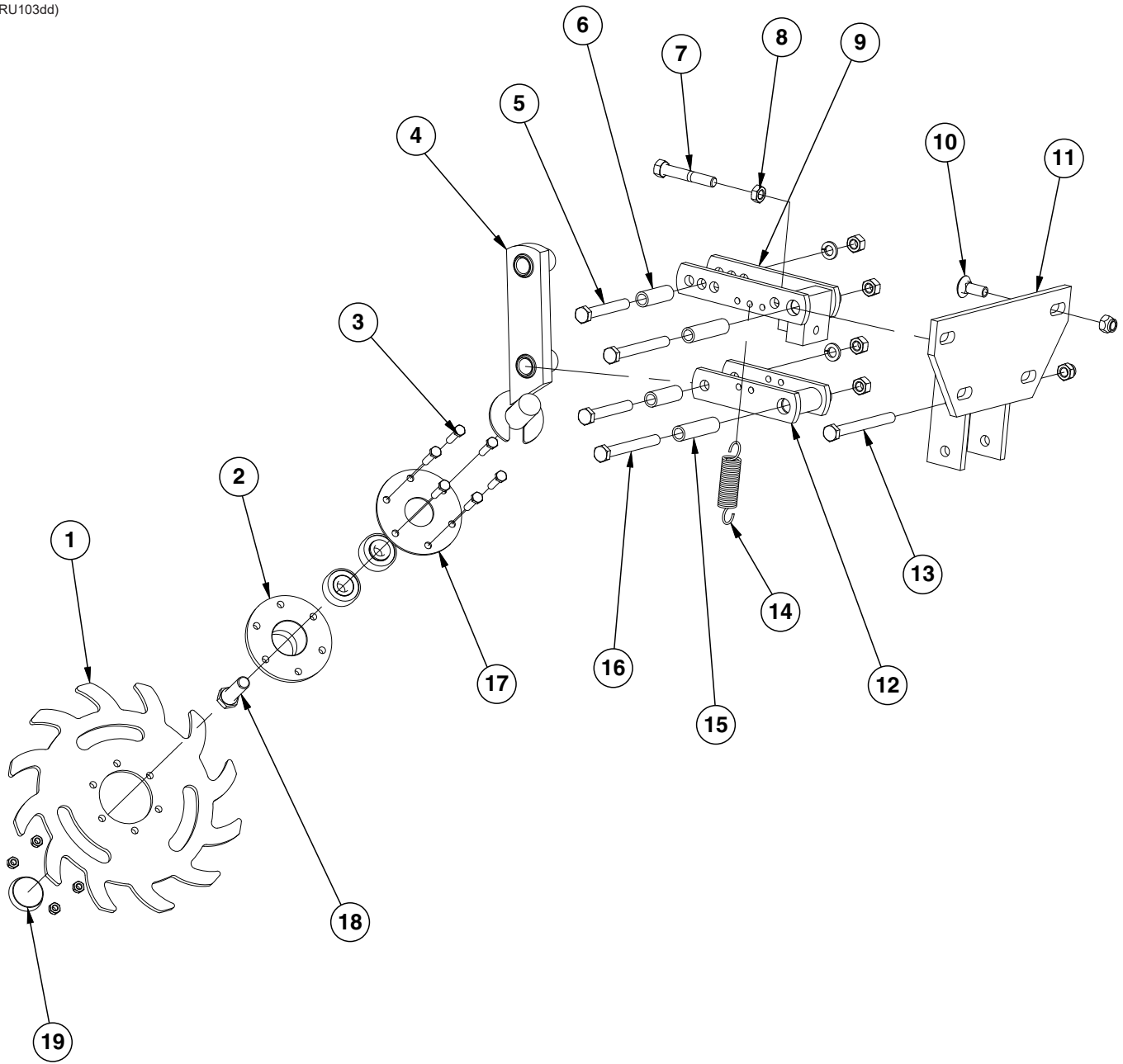
| ITEM | PART NO. | QTY. (Per Row) | DESCRIPTION |
|------|----------|-------------------|---|
| 1 | G10574 | 8 | Carriage Bolt, 1/2"-13 x 1 1/4" |
| 2 | GA24239 | 1 | Arm |
| 3 | G10111 | 8 | Lock Nut, 1/2"-13 |
| 4 | GD7803 | 1 | Disc Blade, Fluted, 1", 8 Flutes (Shown) |
| | GD7804 | - | Disc Blade, Bubbled, 1" |
| | GD9254 | - | Disc Blade, Fluted, 3/4", 13 Flutes |
| 5 | GD11677 | 2 | Adapter |
| 6 | GA8641 | 1 | Hub W/Bearing And Retaining Ring (Includes items 7 and 8) |
| 7 | GA8603 | 1 | Bearing, Double Row |
| 8 | GD19292 | 1 | Retaining Ring (Square), 2 7/16" |
| 9 | G10036 | 1 | Hex Head Cap Screw, 5/8"-11 x 4" |
| | G10107 | 1 | Lock Nut, 5/8"-11 |

(IP1468)



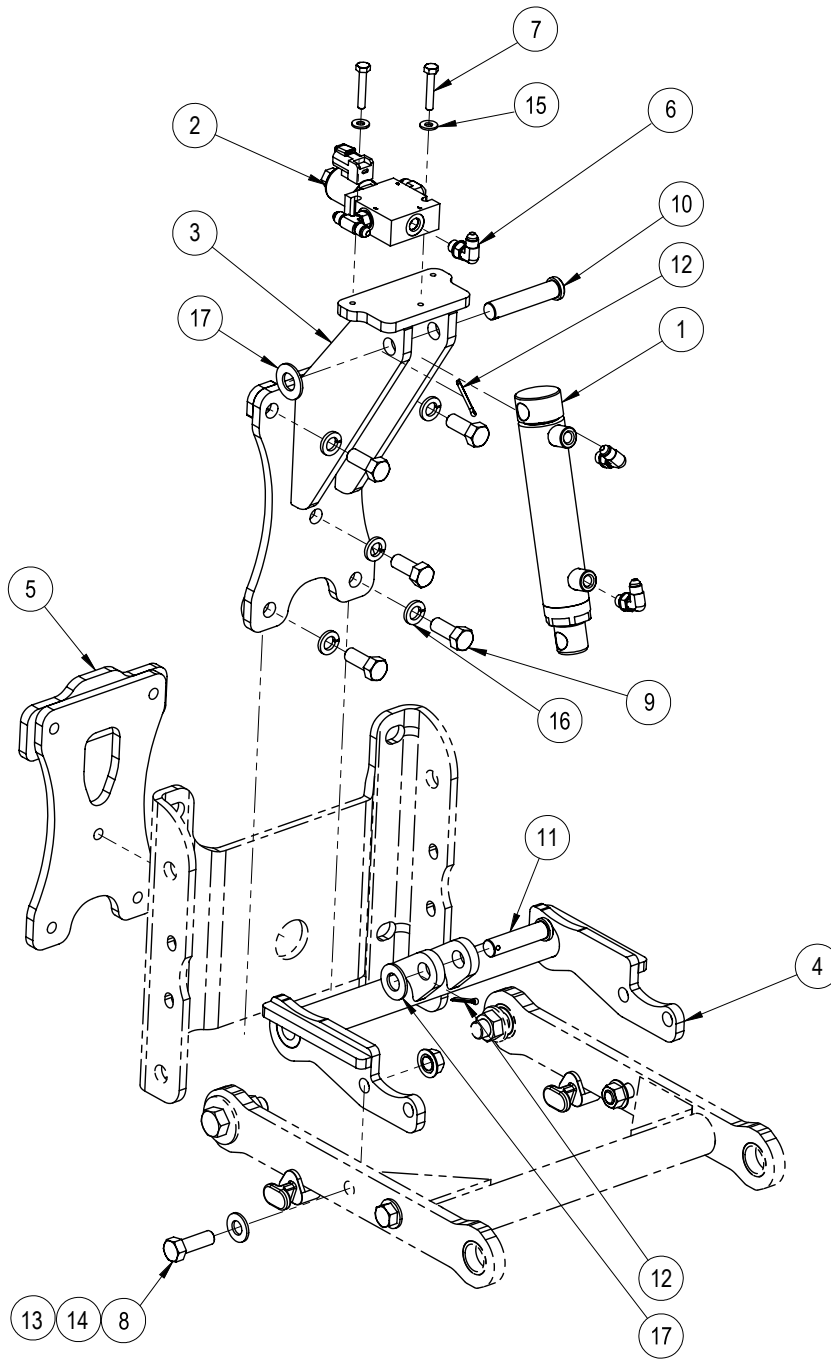
| ITEM | PART NO. | QTY. (Per Row) | DESCRIPTION |
|------|----------|-------------------|--|
| 1 | GB0464 | 1 | Residue Wheel Mount |
| 2 | GD26973 | 1 | Cam Locking Pin |
| 3 | G10229 | 2 | Lock Washer, 3/8" |
| 4 | G10004 | 2 | Hex Head Cap Screw, 3/8"-16 x 1 1/4" |
| 5 | GA27038 | 1 | Row Cleaner Cam |
| 6 | GD10519 | 1 | Spring |
| 7 | G11389 | 1 | Flat Washer, 1/2" Plated SAE |
| 8 | G10503 | 2 | Hex Jam Nut, 5/8"-11, Grade 2 |
| 9 | GD1132 | 2 | Dust Cap |
| 10 | G11236 | 1 | Hex Head Cap Screw, 3/4"-10 x 10 1/2" |
| | G11392 | 2 | Flat Washer, 3/4" SAE |
| | GB0383 | 2 | Bushing, 1 1/8" O.D. x 25/32" I.D. x 3/4" Long |
| | G11228 | 1 | Lock Nut, 3/4"-10 |
| 11 | GA8760 | 2 | Weed Guard W/Spring Pin |
| | G10765 | - | Spring Pin, 1/4" x 1" (Included W/GA8760) |
| 12 | GD30725 | 4 | Machine Bushing, 5/8" (.030" Thick) |
| 13 | GB0387 | 2 | Wheel, 12 Tine, 3/8" x 12" |
| 14 | GA5654 | 2 | Hub W/Bearings |
| | GA2014 | - | Bearing (Included W/GA5654) |
| 15 | GD9724 | 2 | Backing Plate |
| 16 | G10133 | 12 | Hex Head Cap Screw, 5/16"-18 x 1 1/2" |
| 17 | G10109 | 12 | Lock Nut, 5/16"-18, Grade 8 |
| 18 | G10974 | 1 | Lock Nut W/Nylon Insert, 1/2"-13 |
| 19 | G10010 | 2 | Hex Head Cap Screw, 5/8"-11 x 3" |
| A | GA12235 | - | L.H. Residue Wheel (Items 13-17) |
| B | GA12236 | - | R.H. Residue Wheel (Items 13-17) |

(RU103dd)



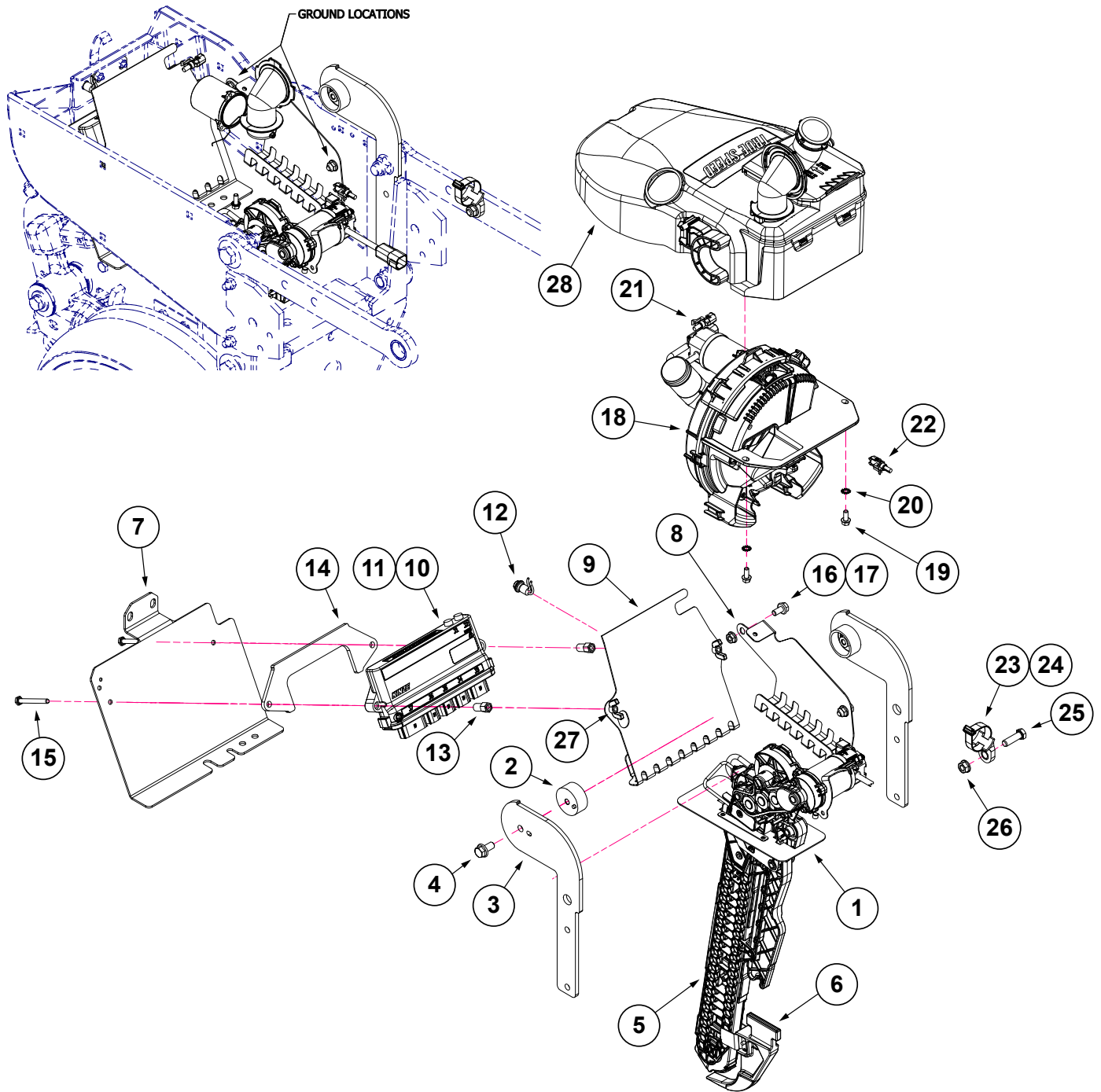
| ITEM | PART NO. | QTY. (Per Row) | DESCRIPTION |
|------|----------|-------------------|--|
| 1 | GB0387 | 1 | Wheel, 12 Tine, 3/8" x 12" |
| 2 | GA5654 | 1 | Hub W/Bearings |
| | GA2014 | - | Bearing |
| 3 | G10133 | 6 | Hex Head Cap Screw, 5/16"-18 x 1 1/2" |
| | G10109 | 6 | Lock Nut, 5/16"-18, Grade 8 |
| 4 | GA6838 | 1 | Wheel Mount |
| 5 | G10033 | 2 | Hex Head Cap Screw, 1/2"-13 x 3 1/2" |
| | G10228 | 2 | Lock Washer, 1/2" |
| | G10102 | 2 | Hex Nut, 1/2"-13 |
| 6 | GD9720 | 2 | Spacer, 1/2" x 2 3/16" Long |
| 7 | G10371 | 1 | Hex Head Cap Screw, 1/2"-13 x 3", Full Thread |
| 8 | G10501 | 1 | Hex Jam Nut, 1/2"-13, Grade 2 |
| 9 | GA6833 | 1 | Upper Link |
| 10 | G10574 | 4 | Carriage Bolt, 1/2"-13 x 1 1/4" |
| | G10111 | 4 | Lock Nut, 1/2"-13 |
| 11 | GA6832 | 1 | Mount |
| 12 | GA6834 | 1 | Lower Link |
| 13 | G10348 | 1 | Hex Head Cap Screw, 1/2"-13 x 5" (Lockup Bolt) |
| | G10111 | 1 | Lock Nut, 1/2"-13 |
| 14 | GD5857 | 2 | Spring |
| 15 | GD9715 | 2 | Spacer, 1/2" x 3" Long |
| 16 | G10045 | 2 | Hex Head Cap Screw, 1/2"-13 x 4 1/2" |
| | G10228 | 2 | Lock Washer, 1/2" |
| | G10102 | 2 | Hex Nut, 1/2"-13 |
| 17 | GD9724 | 1 | Backing Plate |
| 18 | G10006 | 1 | Hex Head Cap Screw, 5/8"-11 x 2 1/4" |
| 19 | GD1132 | 1 | Dust Cap |
| A | GA12236 | - | Wheel Assembly, 12 Tine, R.H. (Items 1-3 and 18) |

(106177)

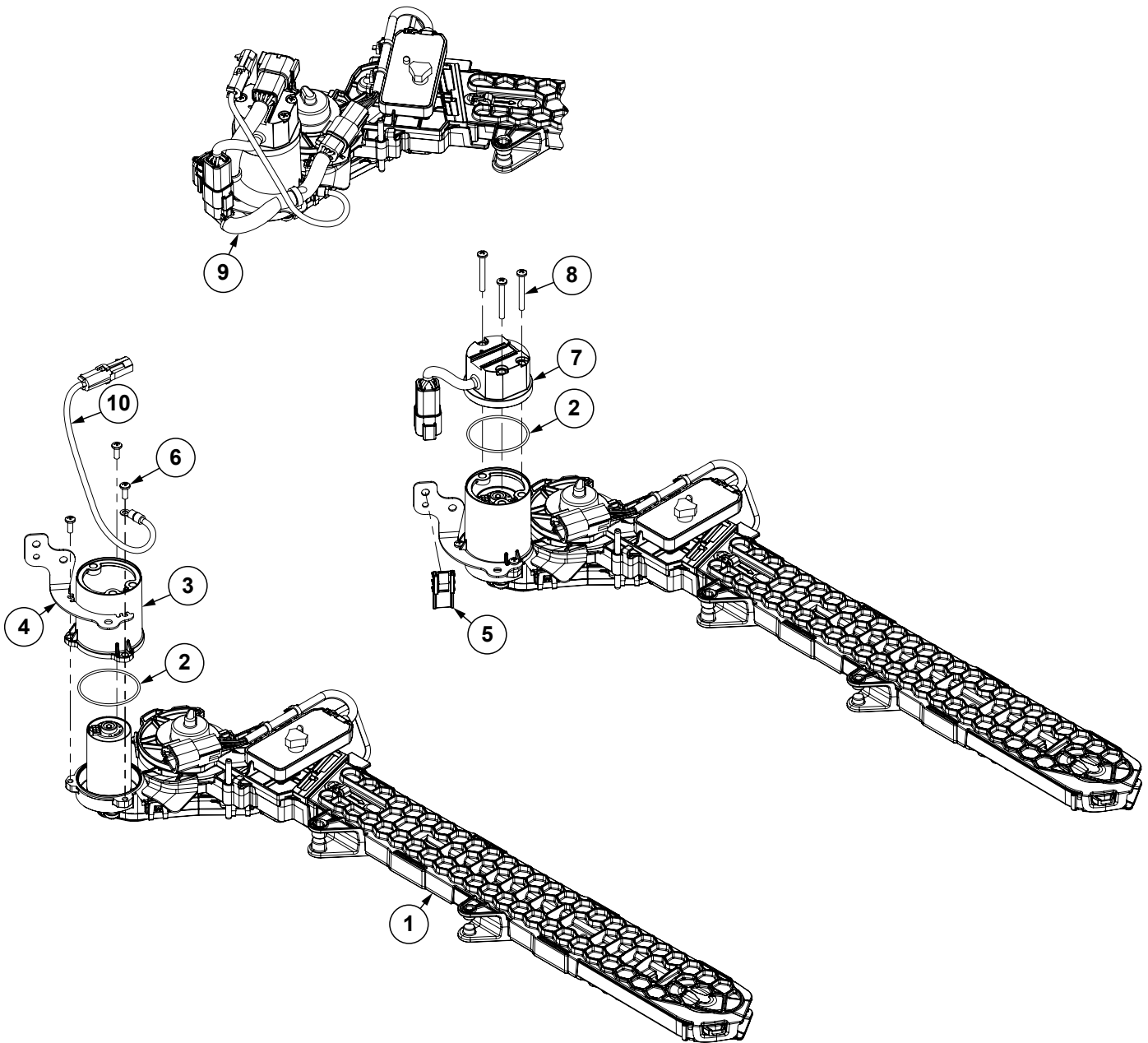


| ITEM | PART NO. | QTY. (Per Row) | DESCRIPTION |
|------|-------------|-------------------|---|
| 1 | GA25261 | 1 | Cylinder Complete, 1¼" x 4¼" |
| 2 | GA25264 | 1 | Row Unit Control Block |
| 3 | GA25258 | 1 | Upper Mounting Bracket |
| 4 | GA25257 | 1 | Lower Mounting Bracket |
| 5 | GA25401 | 1 | Back Mount |
| 6 | G6801-04-04 | 3 | 90° Elbow, 7/16"-20 |
| 7 | GD35459 | 2 | Hex Head Cap Screw, ¼"-20 x 1½", Grade 5 (W/Blue Loctite) |
| 8 | G10017 | 4 | Hex Head Cap Screw, ½"-13 x 1½" |
| 9 | G10037 | 5 | Hex Head Cap Screw, 1/2"-13 X 1 1/4" |
| 10 | G11875 | 1 | Clevis Pin, ⅝" x 3" |
| 11 | G10564 | 1 | Clevis Pin, ⅝" x 2½" |
| 12 | G10451 | 2 | Cotter Pin, ⅛" x 1" |
| 13 | G10071 | 4 | Serrated Flange Nut, ½"-13 |
| 14 | G11389 | 4 | Flat Washer, ½" Plated SAE |
| 15 | G11385 | 2 | Flat Washer, ¼" SAE |
| 16 | G10228 | 5 | Lock Washer, ½" |
| 17 | G11391 | 2 | Flat Washer, ⅝" SAE |

(103185)

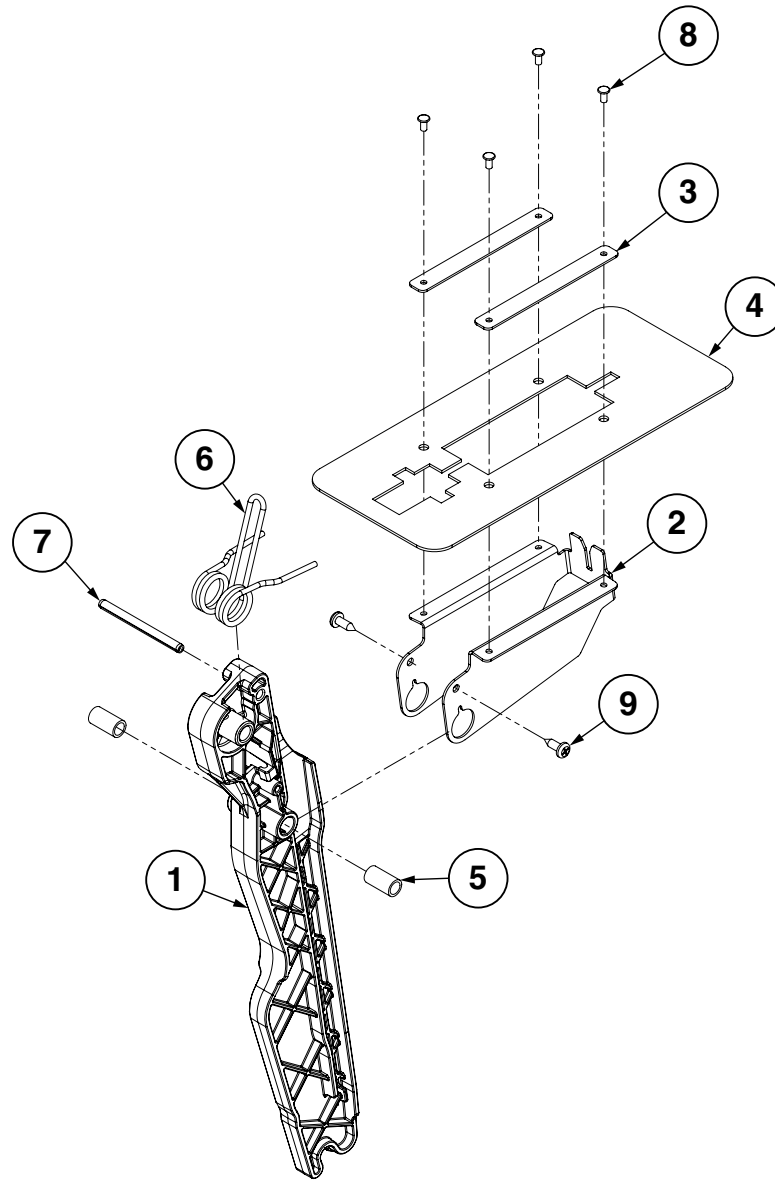


| ITEM | PART NO. | QTY. (Per Row) | DESCRIPTION |
|------|-----------|-------------------|--|
| 1 | --- | - | See "Seed Delivery Rail Assembly" on page P44 |
| 2 | GB1218 | 2 | Hopper Mount |
| 3 | G10302401 | 2 | True Speed Hopper Mount, 3000 Series |
| 4 | G11123 | 2 | Hex Serrated Flange Cap Screw, 3/8"-16 x 3/4" |
| 5 | --- | - | See "True Speed Seed Delivery System W/Driver" on page P43 |
| 6 | G10418802 | 1 | Disc Opener Scraper |
| 7 | G10617801 | 1 | Pull Unit IPN Mount |
| 8 | G10267501 | 1 | Wire Tray |
| 9 | G10267601 | 1 | IPN Wire Shield, 3000 Series |
| 10 | GA25949 | 1 | IPN Module Assembly |
| 11 | G7100-616 | 1 | Decal, IPN/IPR M12 Connector O-Ring |
| 12 | GA15485 | 1 | Switch |
| 13 | GD35609 | 2 | Hex Standoff |
| 14 | GD35629 | 1 | IPN RU Mount Plate |
| 15 | G11929 | 2 | Hex Head Cap Screw, 1/4"-20 x 2.75", Grade 5 |
| 16 | G10961 | 2 | Hex Socket Flange Cap Screw, 5/16"-18 x 3/4", Grade 5 |
| 17 | G10620 | 2 | Serrated Flange Nut, 5/16"-18 |
| 18 | --- | - | See "True Speed Seed Meter" on page P49 |
| 19 | G10960 | 2 | Hex Non-Serrated Flange Cap Screw, 1/4"-20 x 5/8", Grade 5 |
| 20 | G11249 | 2 | External Tooth Washer, 1/4" |
| 21 | G10213601 | 1 | ESD Ground Strap Harness, True Speed |
| 22 | G10213602 | 1 | ESD Ground Strap Harness, True Speed |
| 23 | G10176901 | 1 | Cable Tie, 1/2" x 12" |
| 24 | G10088301 | 1 | Cable Tie Mount, 3/8" |
| 25 | G10004 | 1 | Hex Head Cap Screw, 3/8"-16 x 1 1/4" |
| 26 | G10622 | 1 | Serrated Flange Nut, 3/8"-16 |
| 27 | G10531 | 2 | Wing Nut, 1/4"-20 |
| 28 | --- | - | See "True Speed Mini-Hopper" on page P55 |

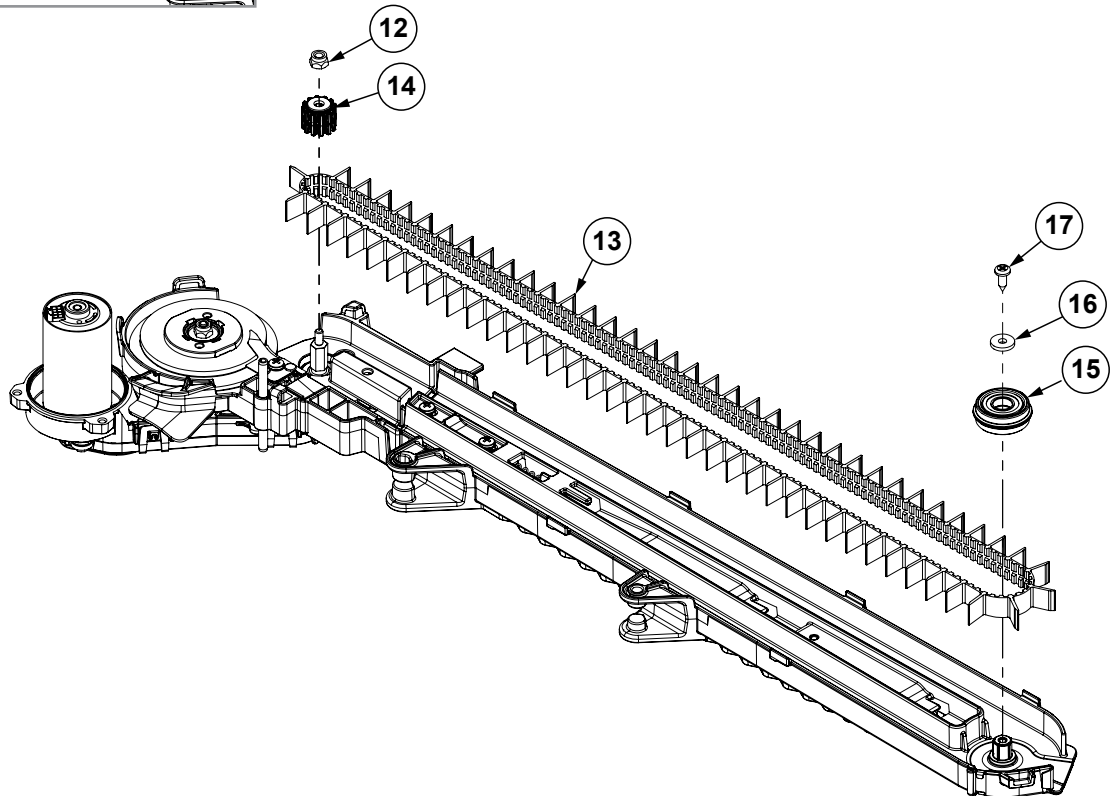
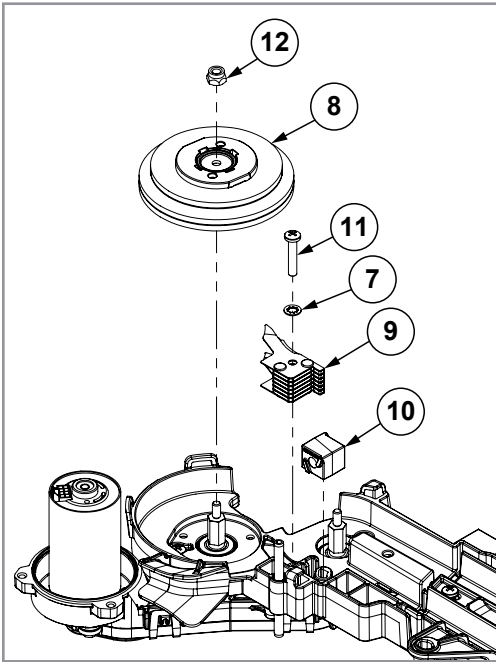


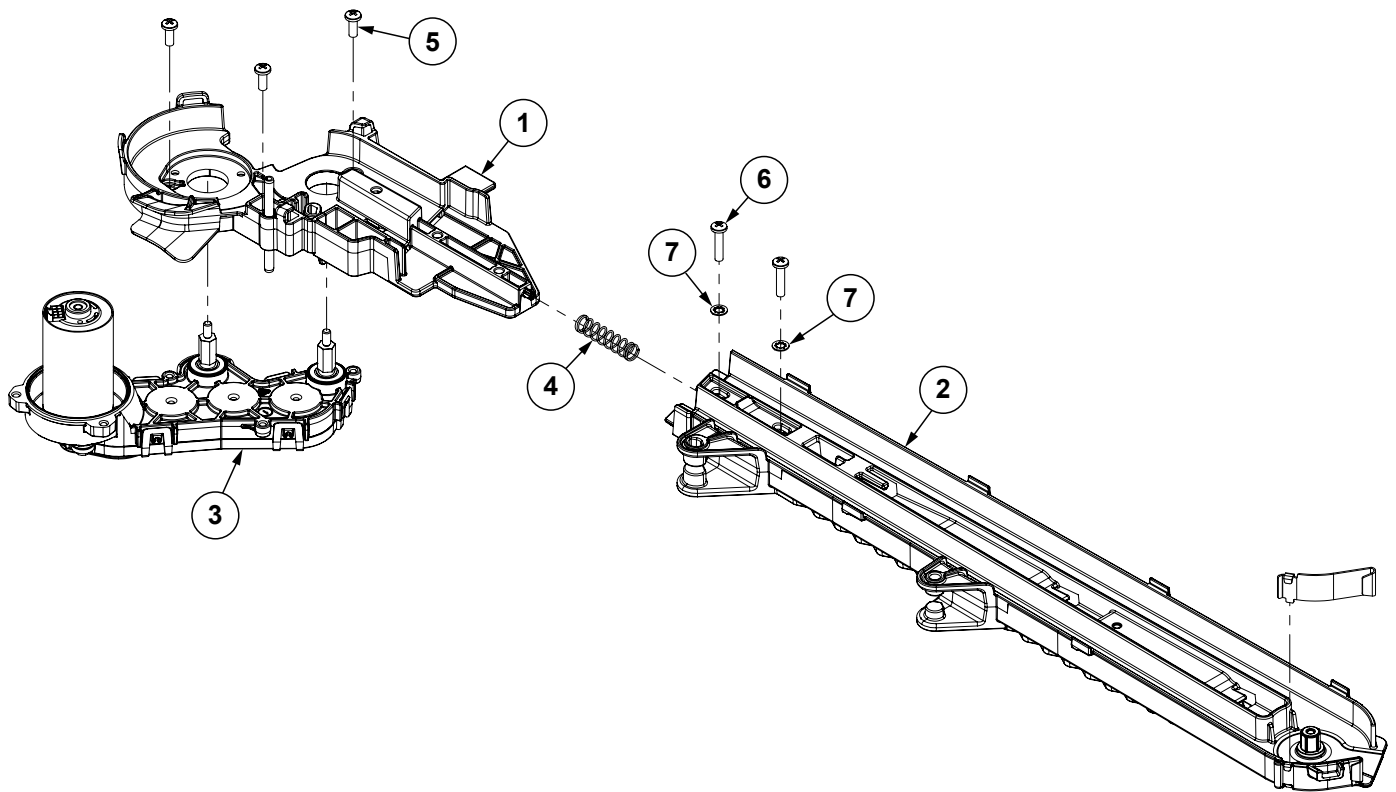
| ITEM | PART NO. | QTY. | DESCRIPTION |
|------|-----------|------|--|
| 1 | GA27001 | 1 | See "True Speed Seed Delivery System Assembly" on page P45 |
| 2 | GB1291 | 2 | O-Ring |
| 3 | GB1289 | 1 | BLDC Cover Housing |
| 4 | GD36961 | 1 | Harness Routing Bracket |
| 5 | GD26293 | | Attachment Clip |
| 6 | G11981 | | Phillips Pan Head Machine Screw, #8-32 x 1/2" |
| 7 | G10429001 | 1 | Motor Driver Assembly |
| 8 | G11297 | 3 | Phillips Pan Head Machine Screw #8-32 x 1 1/8", Stainless Steel |
| 9 | GA26980 | 1 | True Speed Seed Tube |
| 10 | G10213502 | 1 | True Speed ESD Ground Strap Harness |

(103188)

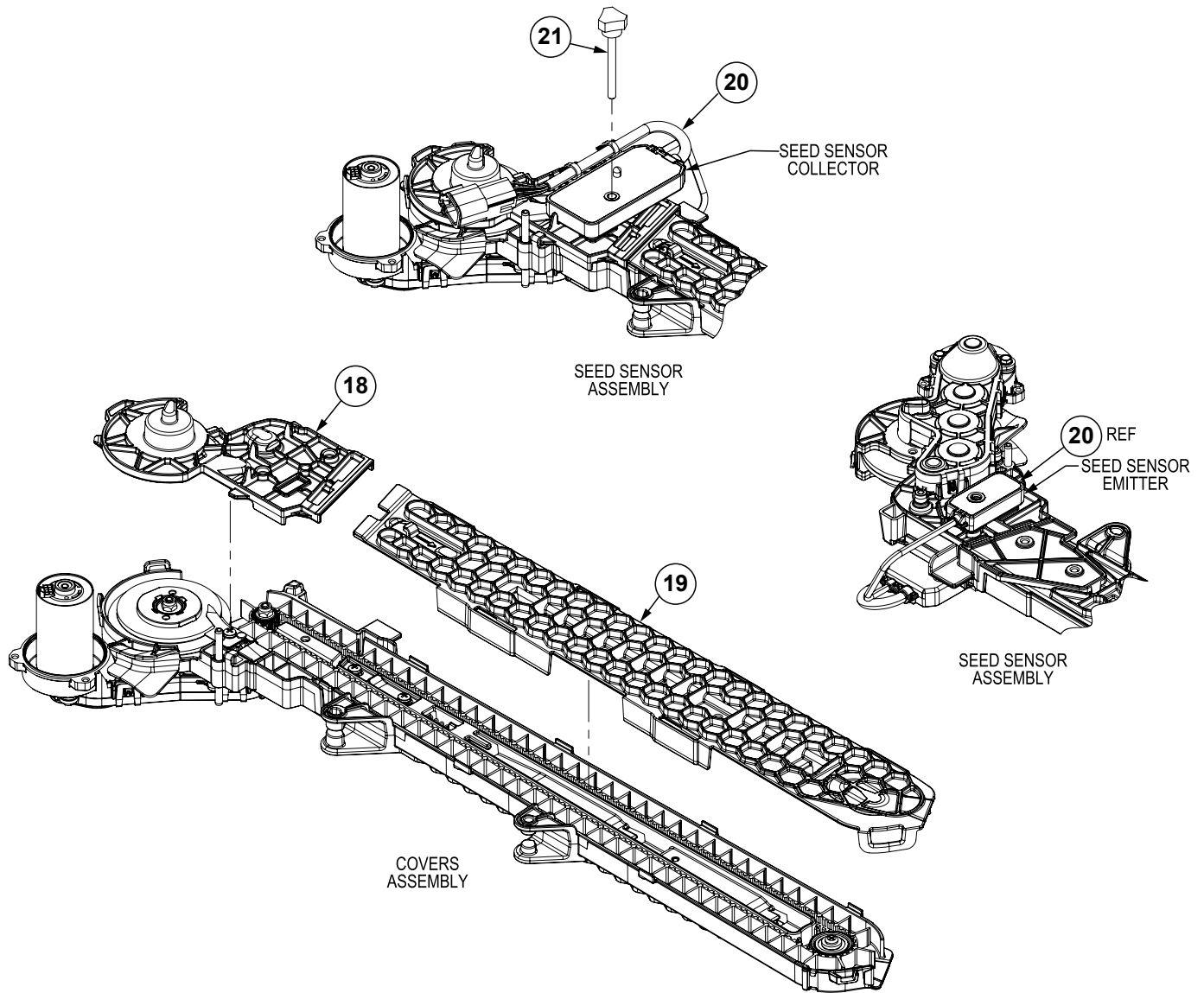


| ITEM | PART NO. | QTY. | DESCRIPTION |
|------|------------|------|--|
| 1 | GB1269 | 1 | Seed Delivery Rail |
| 2 | GD36950 | 1 | Seed Delivery Collar |
| 3 | GD36962 | 2 | Residue Cover Retainer |
| 4 | GB1309 | 1 | Residue Cover |
| 5 | GD36952-02 | 2 | Spacer, .375" O.D. x 18 GA Wall x .69" |
| 6 | GD36951 | 4 | Seed Delivery Spring |
| 7 | G11996 | 1 | Spring Slot Pin, 3/16" x 2-1/4" |
| 8 | G11765 | 4 | Blind Rivet, 1/8" x 1/4" |
| 9 | G11578 | 2 | Phillips Pan Head Tapping Screw, No. 8-18 x 1/2" |



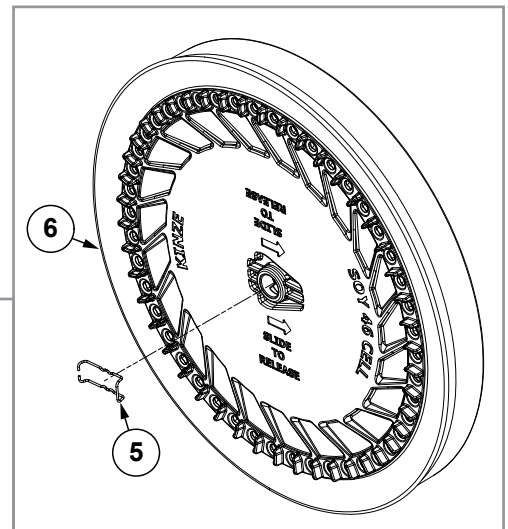
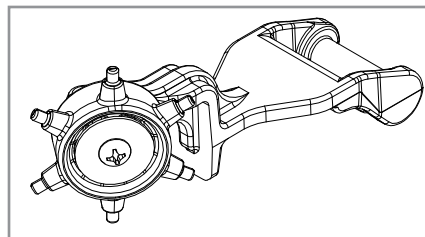
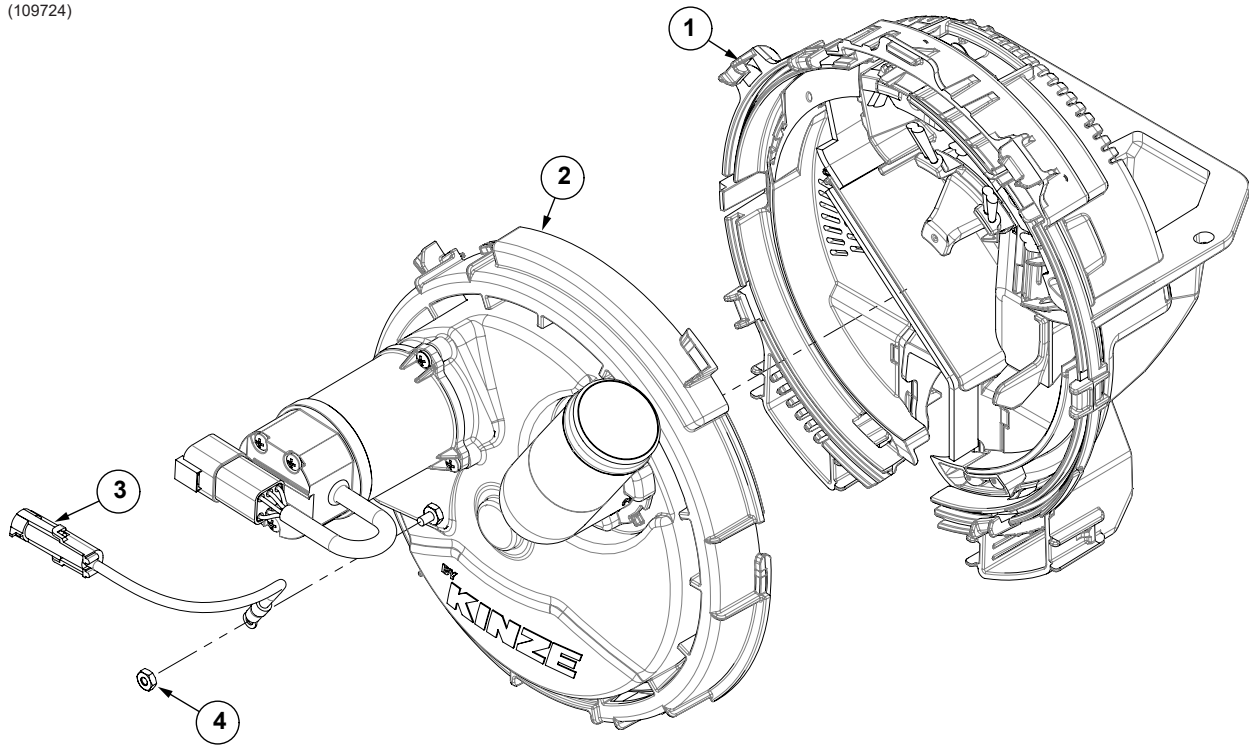


Continued on following pages.



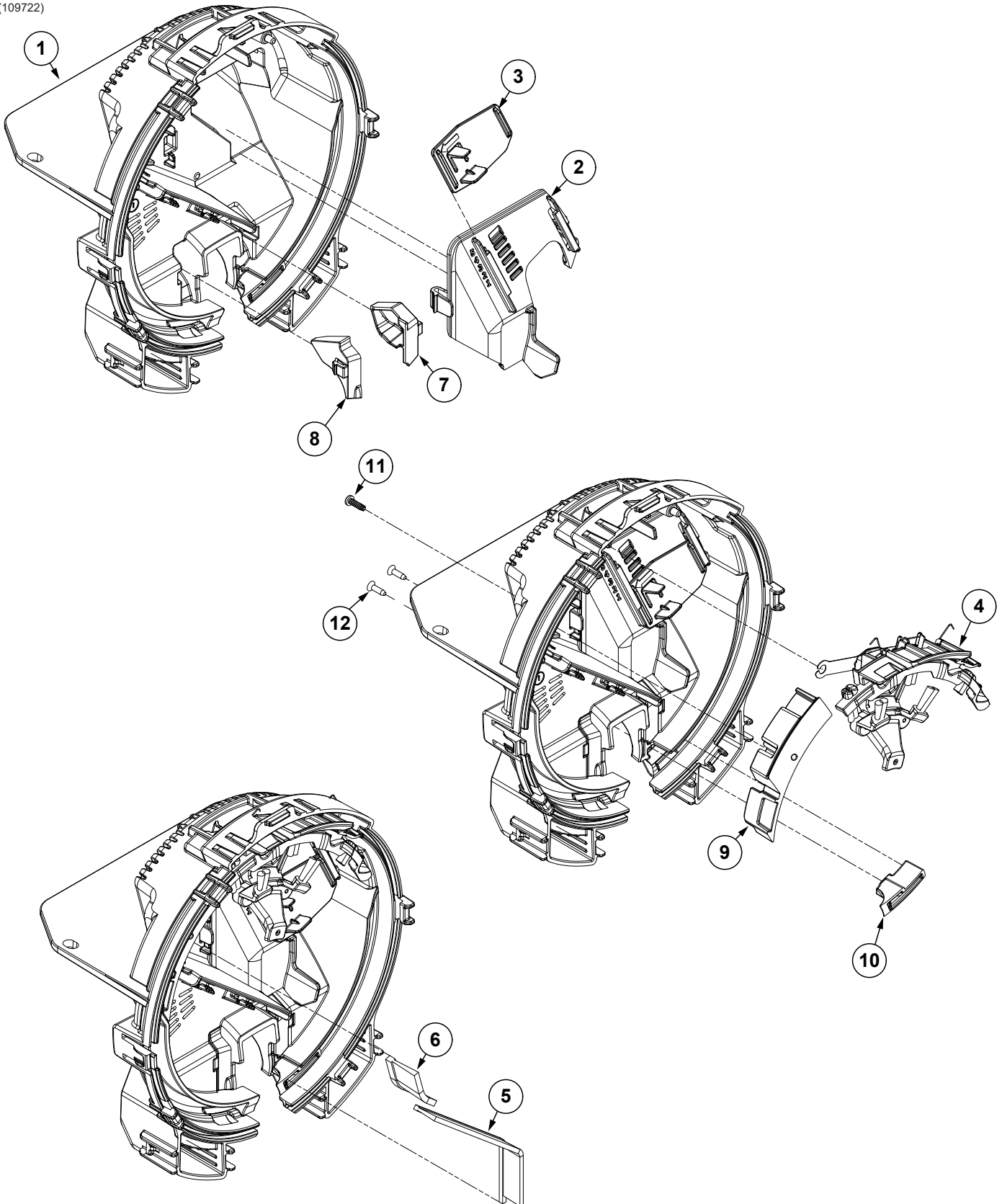
| ITEM | PART NO. | QTY. | DESCRIPTION |
|------|-----------|------|---|
| 1 | GA27133 | 1 | Seed Delivery Upper Housing Assembly |
| | G10208201 | 1 | Seed Delivery Upper Housing (Included W/GA27133) |
| | G11996 | 1 | Spring Slot Pin, 3/16" x 2-1/4" (Included W/GA27133) |
| 2 | GA27084 | 1 | Seed Delivery Lower Housing Assembly |
| | GB1250 | 1 | Seed Delivery Lower Housing (Included W/GA27084) |
| 3 | G10545501 | 1 | Seed Delivery Gearcase Assembly |
| 4 | GD36938 | 1 | Belt Tensioner Spring |
| 5 | G11986 | 3 | Phillips Pan Head Machine Screw, No. 8-32 x 7/16" |
| 6 | G11067 | 2 | Phillips Pan Head Machine Screw, No. 8-32 x 3/4", Stainless Steel |
| 7 | G11995 | 3 | Internal Tooth Washer, No. 8, Stainless Steel |
| 8 | GA27005 | 1 | Brush Wheel Assembly |
| 9 | GA27004 | 1 | Stripper Wheel Comb Assembly |
| 10 | GB1257 | 1 | Seed Relief Scrubber |
| 11 | G11982 | 1 | Phillips Pan Head Machine Screw, No. 8-32 x 7/8", Stainless Steel |
| 12 | G11202 | 2 | Lock Nut W/Nylon Insert, No. 8-32, Stainless Steel |
| 13 | GB1256 | 1 | Seed Delivery Belt |
| 14 | GB1254 | 1 | Belt Drive Sprocket |
| 15 | GA27134 | 1 | Seed Delivery Idler Pulley Assembly |
| | GB1255 | 1 | Seed Deliver Idler Pulley (Included W/GA27134) |
| 16 | G11983 | 1 | Flat Washer, No. 8 |
| 17 | G11578 | 1 | Phillips Pan Head Tapping Screw, No. 8-18 x 1/2" |
| 18 | G10208301 | 1 | Seed Delivery Upper Cover |
| 19 | GB1251 | 1 | Seed Delivery Lower Cover |
| 20 | GA27003 | 1 | Seed Sensor Assembly |
| 21 | G10230701 | 1 | Hex Socket Head Cap Screw, No. 10-24 |
| | G10060301 | 1 | Knob, No. 10 |
| A | GA27001 | 1 | Seed Delivery System Assembly, Items 1-21 |

(109724)



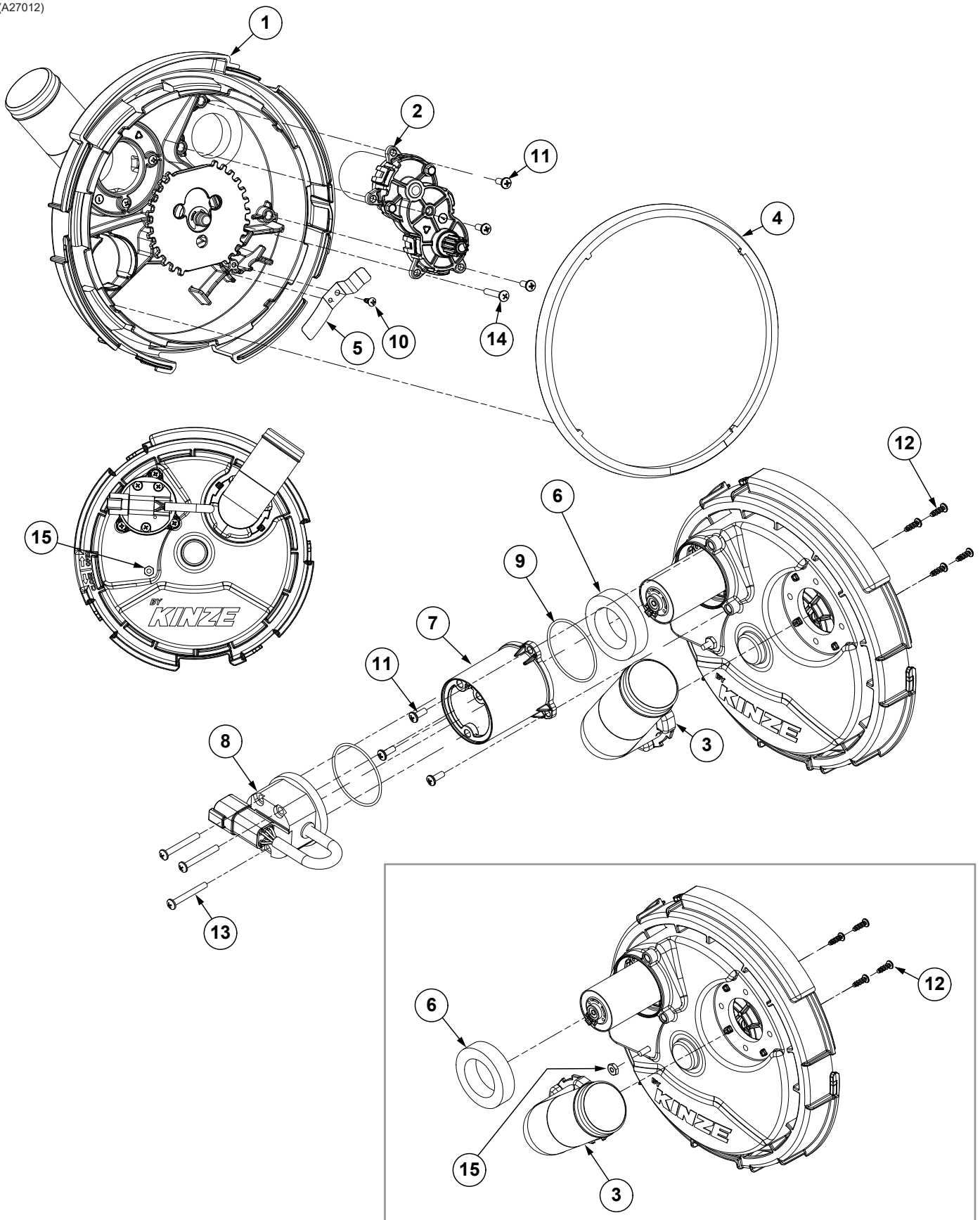
| ITEM | PART NO. | QTY. | DESCRIPTION |
|------|-----------|------|---|
| 1 | G10972201 | 1 | See "True Speed Meter Housing" on page P51 |
| 2 | GA27012 | 1 | See "True Speed Meter Cover" on page P53 |
| 3 | G10213501 | 1 | Only applicable W/True Speed Meter W/Driver |
| 4 | G10928 | 1 | Only applicable W/True Speed Meter W/Driver |
| 5 | G10318701 | 1 | Seed Disc Retention Clip (Included W/Item 6) |
| 6 | G10892X | - | Seed Disc, Corn, 32 Cell (Light Blue Color-Coded) and Ejector Assembly |
| | G10893X | - | Seed Disc, Soybean, 92 Cell (Black Color-Coded) and Ejector Assembly |
| | G10894X | - | Seed Disc, Soybean, 46 Cell (Black Color-Coded) and Ejector Assembly |
| | G11124X | - | Seed Disc, Sunflower, 23 Cell (Yellow Color-Coded) and Ejector Assembly |
| | G10860X | - | Seed Disc, Sugarbeets/Milo, 46 Cell (Orange Color-Coded) and Ejector Assembly |
| | G11340X | - | Seed Disc, Rapeseed/Canola, 104 Cell (Dark Gray Color-Coded) and Ejector Assembly |
| 7 | G10177501 | - | Ejector Assembly, 32 Cell Corn (Included W/G10892X) |
| | G10177601 | - | Ejector Assembly, 92 Cell Soybean (Included W/G10893X) |
| | G10177701 | - | Ejector Assembly, 46 Cell Soybean (Included W/G10894X) |
| | G10618501 | - | Ejector Assembly, 23 Cell Sunflower (Included W/G11124X) |
| | GA27023 | - | Ejector Assembly, 46 Cell Sugarbeets/Milo (Included W/G10860X) |
| | G10923601 | - | Ejector Assembly, 104 Cell Rapeseed/Canola (Included W/G10860X) |
| A | G10972401 | 1 | True Speed Meter W/Driver Assembly, Items 1-4 |
| B | G10972501 | 1 | True Speed Meter Assembly, Items 1-2 |

(109722)



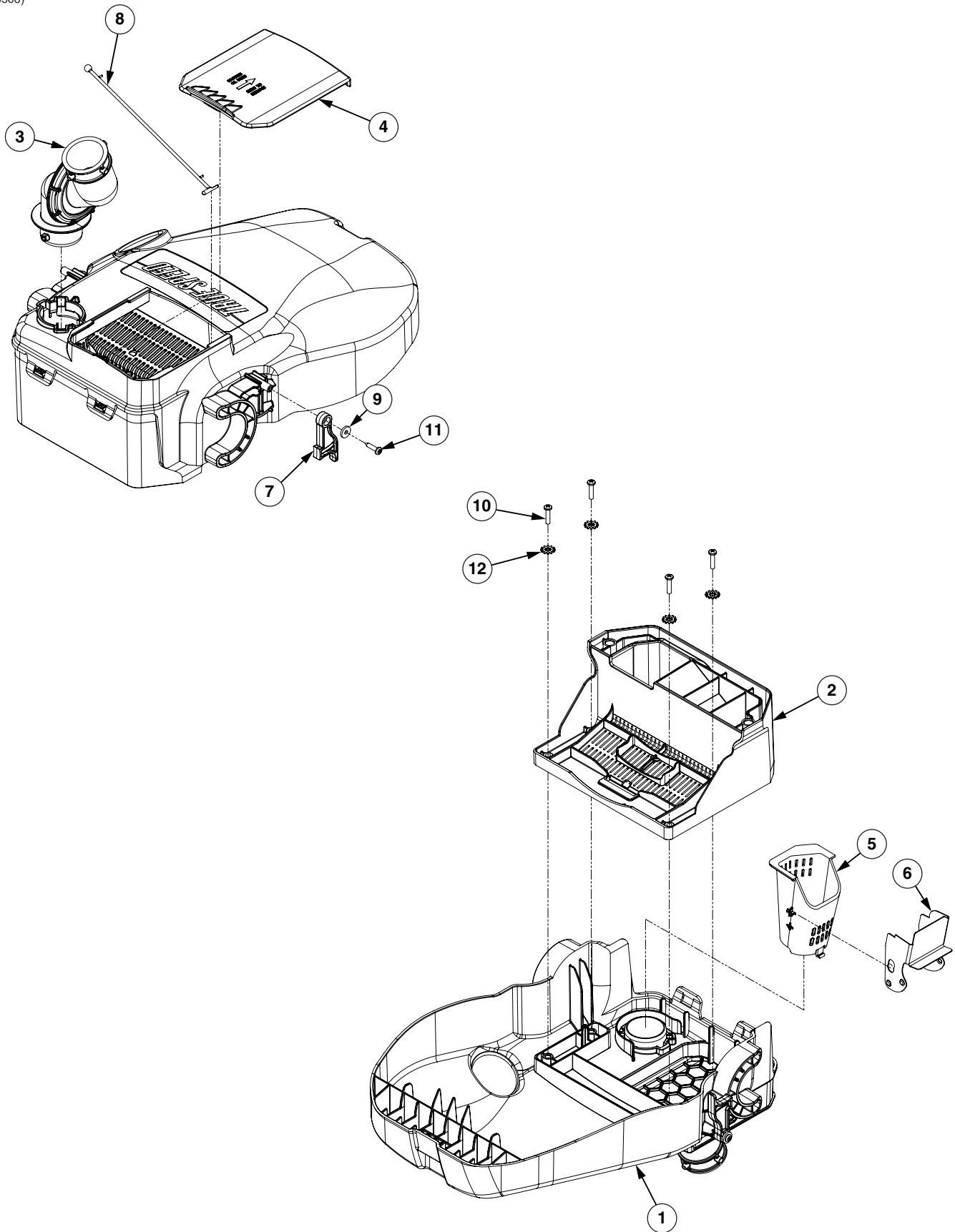
| ITEM | PART NO. | QTY. | DESCRIPTION |
|------|-----------|------|--|
| 1 | G10208401 | 1 | Meter Housing |
| 2 | GB1275 | 1 | Meter Baffle |
| 3 | GB1276 | 1 | Door Baffle |
| 4 | GA27013 | 1 | Singulator Assembly (Includes Items 13-14) |
| 5 | GD36954 | 1 | Meter Wall Brush, Small |
| 6 | G10459801 | 1 | Meter Wall Brush, Large |
| 7 | GB1307 | 1 | Meter Housing Plug |
| 8 | GB1306 | 1 | Meter Housing Plug |
| 9 | G10153101 | 1 | Upper Seed Relief Insert |
| 10 | G10949902 | 1 | Lower Seed Relief Insert |
| 11 | G11556 | 1 | Phillips Pan Head Tapping Screw, 6-19 x 1/2" |
| 12 | G10181201 | 3 | Phillips Pan Head Tapping Screw, No. 6-19 x 1/2" |
| 13 | GA27015 | 1 | Outer Singulator Brush (Included W/Item 4) |
| 14 | GA27014 | 1 | Inner Singulator Brush (Included W/Item 4) |
| 15 | G11619 | 4 | Phillips Pan Head Tapping Screw, No. 6-19 x 3/8" |

(A27012)



| ITEM | PART NO. | QTY. | DESCRIPTION |
|------|-----------|------|---|
| 1 | G10320401 | 1 | Meter Cover W/Bearing Assembly |
| 2 | G10545601 | 1 | Meter Gearcase Assembly |
| | GA27007 | - | BLDC Motor (Included W/G10545601) |
| | GB1288 | - | Meter Pinion Gear (Included W/G10545601) |
| | G11994 | - | External Side Mount Retaining Ring (Included W/G10545601) |
| | G10263501 | - | Hex Serrated Flange Machine Screw, No. 6-32, Grade 2 (Included W/G10545601) |
| 3 | GB1281 | 1 | Vacuum Elbow |
| 4 | GB1282 | 1 | Meter Seal |
| 5 | GD36959 | 1 | Ejector Arm Retention Spring |
| 6 | G10108302 | 1 | Motor Foam Seal |
| 7 | GB1289 | 1 | BLDC Cover Housing |
| 8 | G10429001 | 1 | Motor Driver Assembly |
| 9 | GB1291 | 2 | O-Ring |
| 10 | G11619 | 1 | Phillips Pan Head Tapping Screw, No. 6-19 x 3/8" |
| 11 | G10724301 | 6 | Phillips Pan Head Machine Screw, No. 8-32 x 7/16" |
| 12 | G11578 | 4 | Phillips Pan Head Tapping Screw, No. 8-18 x 1/2" |
| 13 | G11960 | 3 | Phillips Pan Head Machine Screw #8 - 32 x 1 1/2", Stainless Steel |
| 14 | G11201 | 1 | Phillips Pan Head Machine Screw, No. 8-32 x 1", Stainless Steel |
| 15 | G10928 | 1 | Hex Nut, No. 8-32, Stainless Steel |

(103368)



| ITEM | PART NO. | QTY. | DESCRIPTION |
|------|-----------|------|---|
| 1 | G10201002 | 1 | Mini-Hopper Cover |
| 2 | GB1240 | 1 | Mini-Hopper |
| 3 | GA26999 | 1 | Bulk Fill Swivel Inlet |
| 4 | GB1242 | 1 | Mini-Hopper Lid |
| 5 | G10506301 | 1 | Bulk Fill Diffuser |
| 6 | G10199801 | 1 | Diffuser Door |
| 7 | GB1246 | 1 | Hopper Latch |
| 8 | GB1247 | 1 | Tether |
| 9 | G11983 | 1 | Flat Washer, No. 8 |
| 10 | G11067 | 4 | Phillips Pan Head Machine Screw, No. 8-32 x 3/4", Stainless Steel |
| 11 | G11770 | 1 | Phillips Pan Head Tapping Screw, 8-18 x 3/4" |
| 12 | G10931 | 4 | Lock Washer, No. 8, Internal/External, Stainless Steel |

NOTE: Push row units use the same seed tube, row unit depth adjustment components, quick adjustable down force springs, 15" opener disc blades, gauge wheels, closing wheels, meter drive and seed hopper as the pull row unit. See those pages for common parts.

[See "Shank Assembly, Seed Tube, and Depth Adjustment" on page P3](#)

[See "Parallel Arms, Mounting Support Plate, and Quick Adjustable Down Force Springs Option" on page P5](#)

[See "15" Seed Opener Disc Blade/Bearing Assembly and Scrapers" on page P7](#)

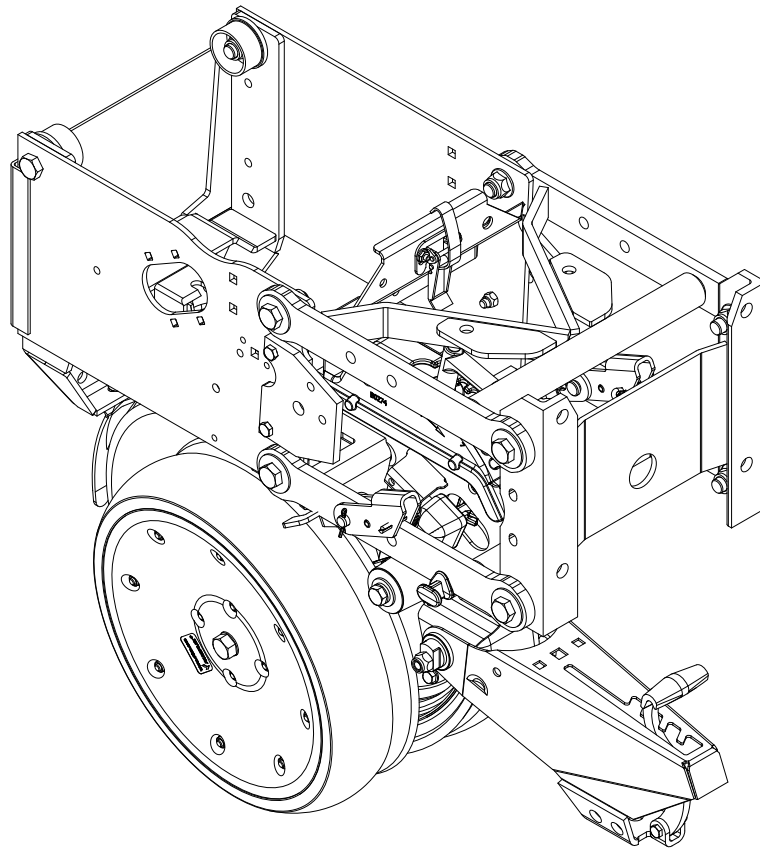
[See "Gauge Wheels" on page P9](#)

[See "V" Closing Wheels" on page P11](#)

[See "Hopper Support and Meter Drive" on page P13](#)

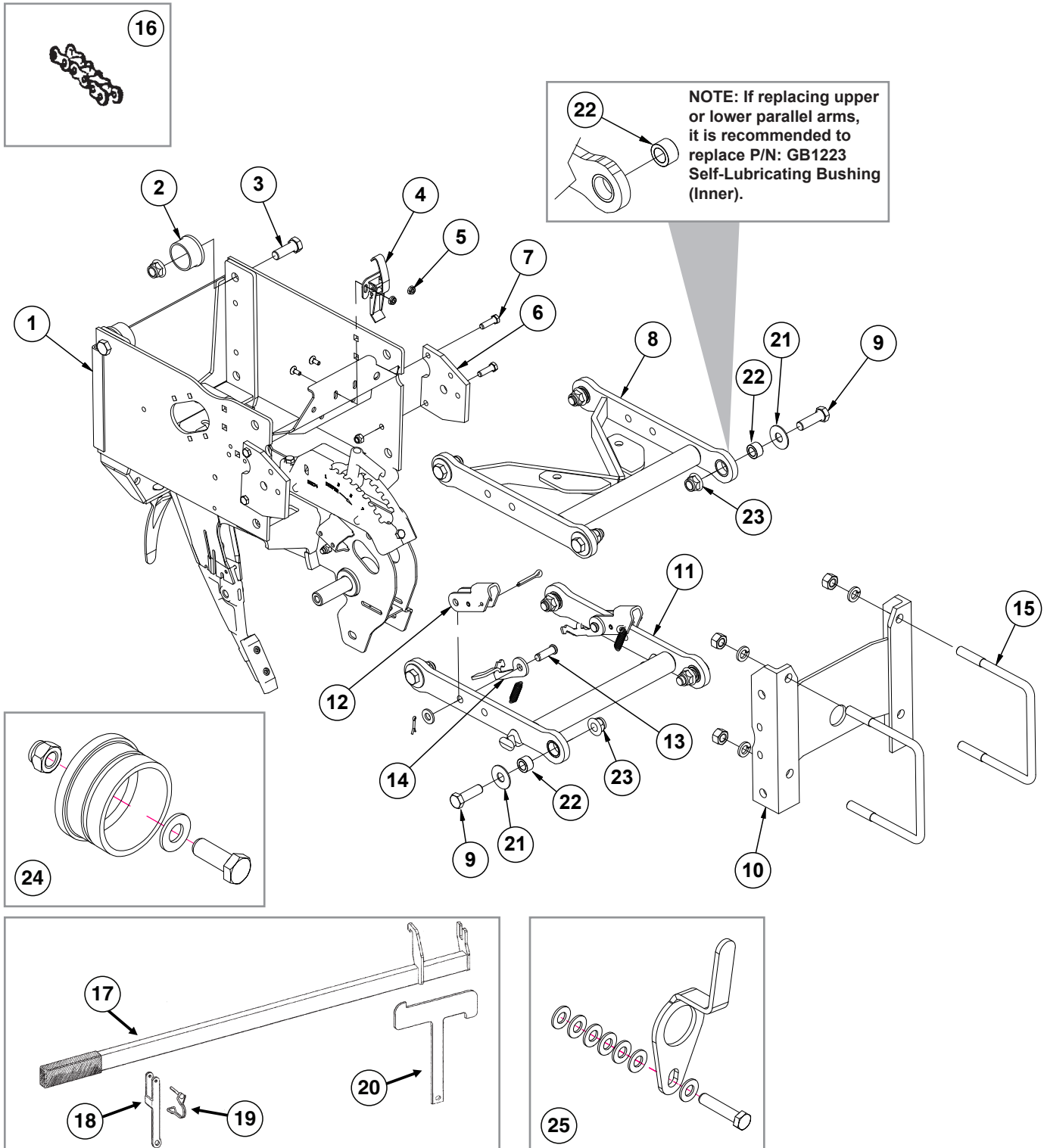
[See "Seed Hopper and Lid" on page P20](#)

NOTE: Row unit assembly does not include the following: seed meter assembly, seed tube assembly, row unit hopper assembly, closing wheels, or seed meter clutch.



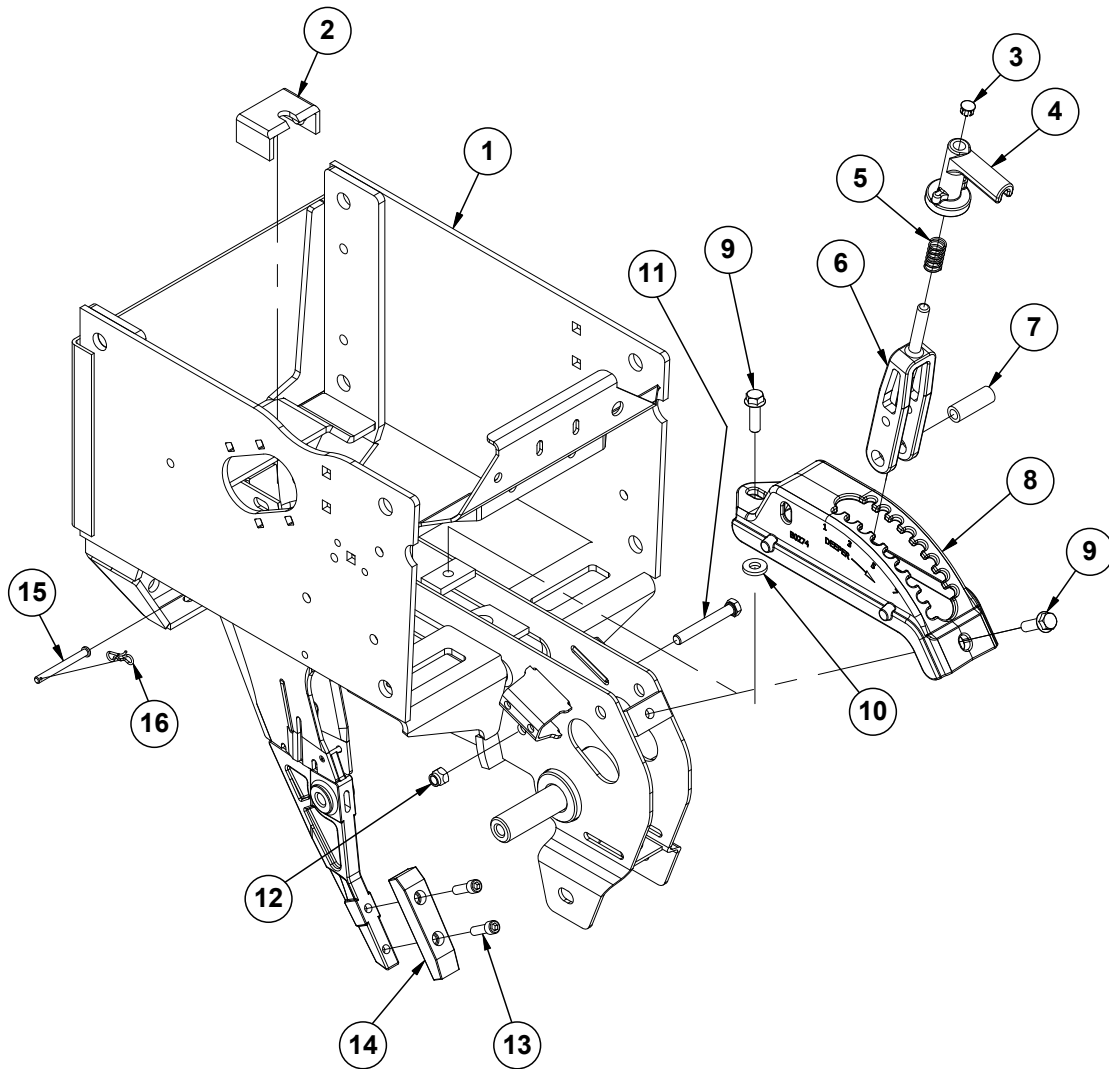
| ITEM | PART NO. | QTY. (Per Row) | DESCRIPTION |
|------|----------|-------------------|--|
| 1 | G10504X | 1 | Push Row Unit Assembly (Standard Gauge Wheels) |
| 2 | G10985X | 1 | Push Row Unit Assembly (Spoked Gauge Wheels) |

NOTE: Push row units use the same seed tube, row unit depth adjustment components, quick adjustable down force springs, 15" opener disc blades, gauge wheels, closing wheels, meter drive and seed hopper as the pull row unit. See those pages for common parts.



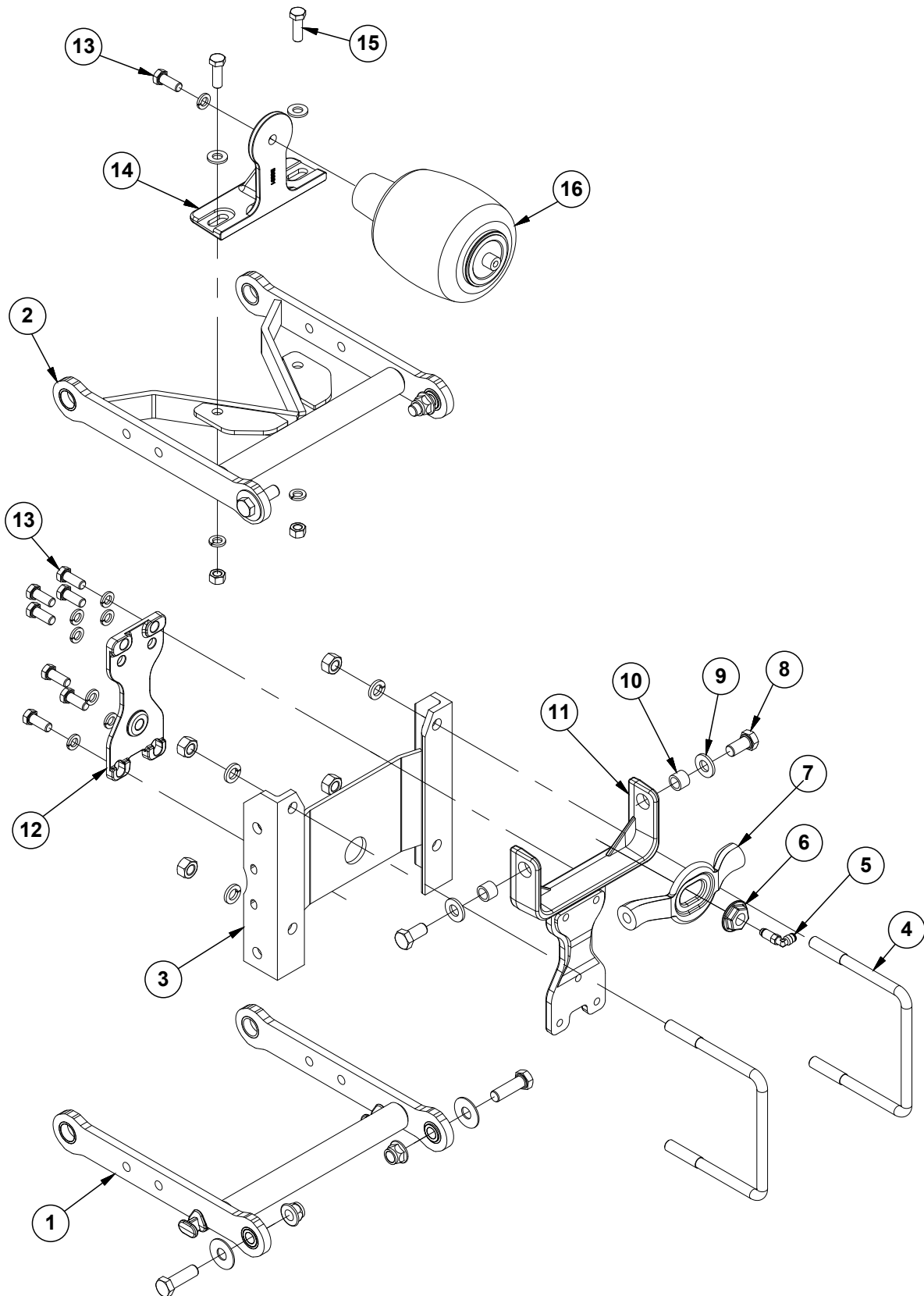
| ITEM | PART NO. | QTY. (Per Row) | DESCRIPTION |
|------|-----------|-------------------|--|
| 1 | --- | 1 | See "Shank and Depth Adjustment (Split Row)" on page P60 |
| 2 | GB0314 | 2 | Hopper Mount |
| 3 | G10751 | 2 | Hex Head Cap Screw, 5/8"-18 x 1 3/4" |
| | G11514 | 2 | Lock Nut, 5/8"-18 |
| 4 | GA2007 | 1 | Hopper Hold Down Latch |
| 5 | G10621 | 2 | Serrated Flange Nut, 1/4"-20 |
| | G10309 | 2 | Carriage Bolt, 1/4"-20 x 5/8", Grade 5 |
| 6 | GD24545 | 2 | Row Unit Stop |
| 7 | G10004 | 4 | Hex Head Cap Screw, 3/8"-16 x 1 1/4" |
| | G10108 | 4 | Lock Nut, 3/8"-16 |
| 8 | G10011301 | 1 | Upper Parallel Arm Assembly |
| | GB1224 | - | Self-Lubricating Bushing (Included W/G10011301) |
| 9 | G10732 | 4 | Hex Head Cap Screw, 5/8"-18 x 2" |
| 10 | GA11971 | 1 | Mounting Plate |
| 11 | G10011401 | 1 | Lower Parallel Arm Assembly |
| | GB1224 | - | Self-Lubricating Bushing (Included W/G10011301) |
| 12 | GD11264 | 1 | Lockup |
| | G10718 | 2 | Spring Pin, 5/16" x 1 1/8" |
| | G10463 | 2 | Cotter Pin, 1/4" x 1 1/2" |
| | GD25569 | 2 | Spring |
| 13 | G10284 | 2 | Clevis Pin, 1/2" x 1 1/2" |
| | G11389 | 2 | Flat Washer, 1/2" Plated SAE |
| | G10451 | 2 | Cotter Pin, 1/8" x 1" |
| 14 | GD25568 | 1 | Spring Mount Tab, L.H. |
| | GD29459 | 1 | Spring Mount Tab, R.H. |
| 15 | GD1113 | 2 | U-Bolt, 5" x 7" x 5/8"-11 |
| | GD1114 | 2 | U-Bolt, 7" x 7" x 5/8"-11 |
| | G10230 | 4 | Lock Washer, 5/8" |
| | G10104 | 4 | Hex Nut, 5/8"-11 |
| 16 | G3303-96 | 1 | Chain, No. 41, 96 Pitch Including Connector Link |
| | GR0196 | 1 | Connector Link, No. 41 |
| 17 | GA24889 | - | Lift Lever W/Boot |
| | GD11649 | - | Boot (Included W/GA24889) |
| 18 | G10991201 | 1 | Bracket (Lift Lever) |
| 19 | GD9695 | 1 | Wire Lock Pin, 1/4" x 1 3/4" |
| 20 | G10991301 | 1 | Mounting (Lift Lever) |
| 21 | G11976 | 8 | Flat Washer, 5/8" x 1 3/4" |
| 22 | GB1223 | 8 | Self-Lubricating Bushing |
| 23 | G11514 | 8 | Lock Nut, 5/8"-18 |
| 24 | GD17052 | 1 | Vacuum Plug |
| | G11387 | 1 | Hardened Washer, 3/8" SAE |
| | G10001 | 1 | Hex Head Cap Screw, 3/8"-16 x 1" |
| | G10108 | 1 | Lock Nut, 3/8"-16 |
| 25 | G10180301 | 1 | Hose Guide, Vacuum |
| | G10047 | 1 | Hex Head Cap Screw, 3/8"-16 x 1 3/4" |
| | G11387 | 7 | Hardened Washer, 3/8" SAE |
| A | G1K534 | - | Push Unit Lock-Up Kit, Items 6, and 12-14 (Includes GD24545 - Push Unit Stop) |
| B | G1K535 | - | Push Unit Spring Lock-Up Kit, Items 12-14 |
| C | G1K759 | - | Push Row Unit Parallel Kit, Includes: (1) G10011301, (1) G10011401, (8) GB1223, (8) G11976, (2) G10732, (8) G11514, (6) G10751, (2) IS1066 |

(IP1585)



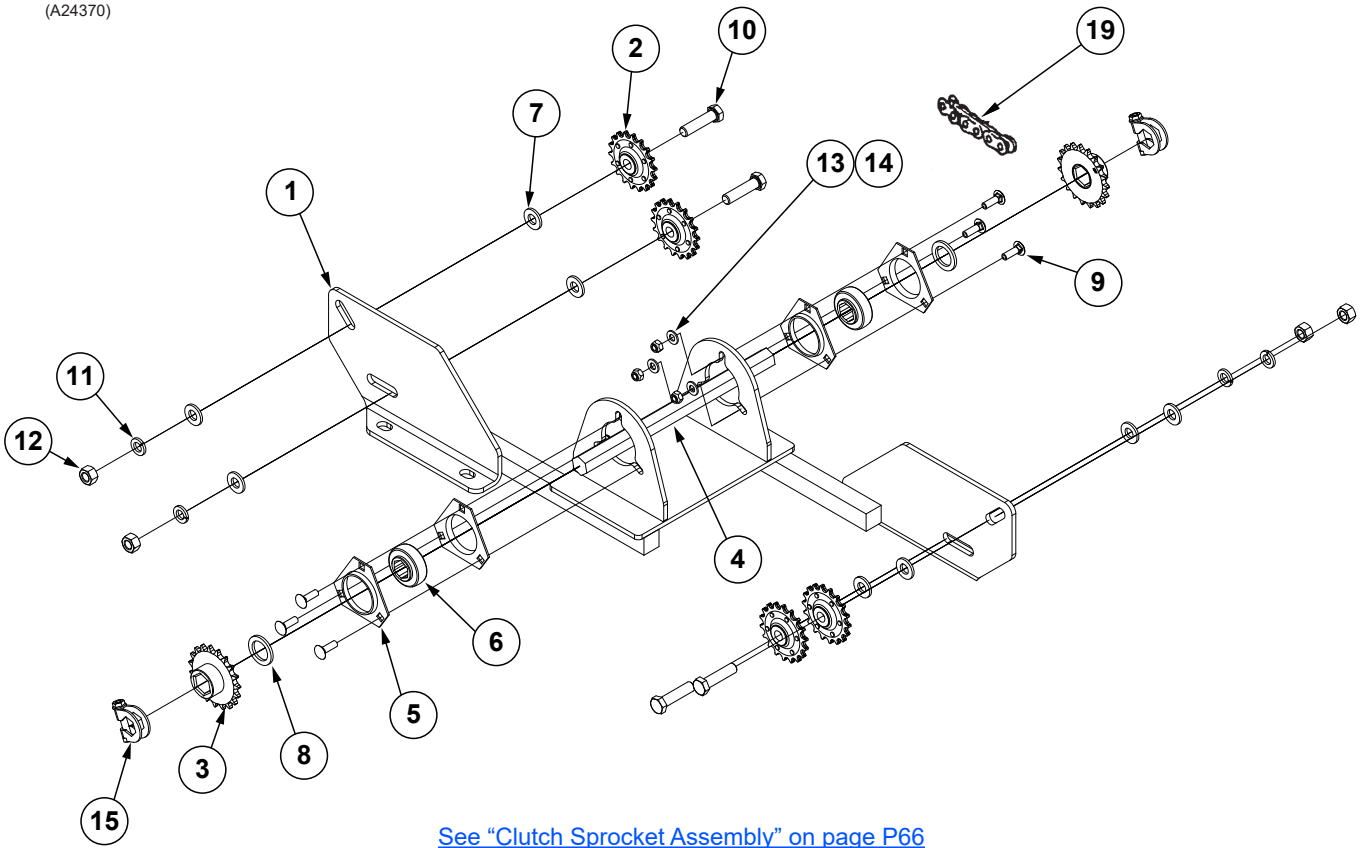
| ITEM | PART NO. | QTY. (Per Row) | DESCRIPTION |
|------|-----------|-------------------|--|
| 1 | GA26297 | 1 | Push Row Unit Shank (Non-True Speed) |
| | G10258501 | 1 | Push Row Unit Shank (True Speed) |
| 2 | GD16245 | 1 | Sun Shade (Rubber) |
| 3 | GD3612 | 1 | Cap Plug |
| 4 | GB0266 | 1 | Handle, Depth Adjustment |
| 5 | GD10993 | 1 | Spring |
| 6 | GB0267 | 1 | Lever, Depth Adjustment |
| 7 | GD11259 | 1 | Sleeve, $\frac{3}{8}$ " I.D. x $\frac{5}{8}$ " O.D. x $1\frac{25}{32}$ " Long |
| 8 | GB0274 | 1 | Cover, Depth Adjustment |
| 9 | G11015 | 2 | Hex Washer Head Cap Screw, $\frac{3}{8}$ "-16 x $1\frac{1}{4}$ " |
| 10 | G10207 | 1 | Washer, $\frac{7}{8}$ " O.D. x $1\frac{13}{32}$ " I.D. x .134" |
| 11 | G11592 | 1 | Hex Head Cap Screw, $\frac{3}{8}$ "-24 x $2\frac{3}{4}$ ", Grade 8 |
| 12 | G11591 | 1 | Nylon Lock Nut, $\frac{3}{8}$ "-24, Grade C |
| 13 | G10500901 | 2 | Hex Socket Head Cap Screw, $\frac{5}{16}$ "-18 x 1" (Non-True Speed only) |
| 14 | G10038601 | 1 | Scraper (Non-True Speed only) |
| 15 | G10551 | 1 | Clevis Pin, $\frac{1}{4}$ " x $2\frac{1}{2}$ " |
| 16 | G10122301 | 1 | Bow Tie Cotter Pin |

(IP1641)

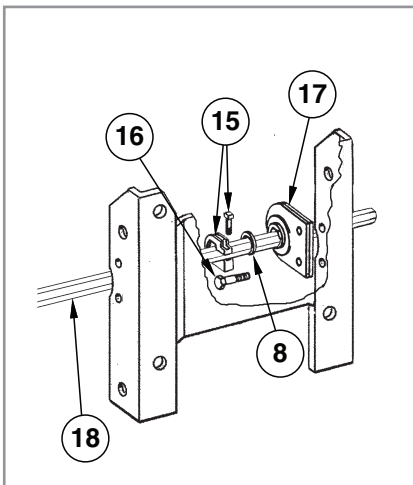


| ITEM | PART NO. | QTY. (Per Row) | DESCRIPTION |
|------|-----------|-------------------|--|
| 1 | --- | --- | See "Parallel Arms and Face Plate (Split Row)" on page P58 |
| 2 | --- | --- | See "Parallel Arms and Face Plate (Split Row)" on page P58 |
| 3 | --- | 1 | See "Parallel Arms and Face Plate (Split Row)" on page P58 |
| 4 | --- | --- | See "Parallel Arms and Face Plate (Split Row)" on page P58 |
| 5 | GD18011 | 1 | Elbow, 3/8" x 1/8" NPT Extended |
| 6 | GB0397 | 1 | Shoulder Nut, 3/4"-16 |
| 7 | GB0392 | 1 | Yoke |
| 8 | G11018 | 2 | Hex Head Cap Screw, 5/8"-18 x 1 1/4" |
| 9 | G11391 | 2 | Flat Washer, 5/8" SAE |
| 10 | GD3180-30 | 2 | Sleeve, 7/8" O.D. x 5/8" I.D. x 2 1/32" |
| 11 | GB0390 | 1 | Yoke Mount |
| 12 | GB0389 | 1 | Plate |
| 13 | G10037 | 8 | Hex Head Cap Screw, 1/2"-13 x 1 1/4" |
| | G10228 | 8 | Lock Washer, 1/2" |
| 14 | GB0391 | 1 | Mount |
| 15 | G10017 | 2 | Hex Head Cap Screw, 1/2"-13 x 1 1/2" |
| | G11389 | 2 | Flat Washer, 1/2" SAE |
| | G10228 | 2 | Lock Washer, 1/2" |
| | G10102 | 2 | Hex Nut, 1/2"-13 |
| 16 | GA11982 | 1 | Air Spring Assembly |

(A24370)

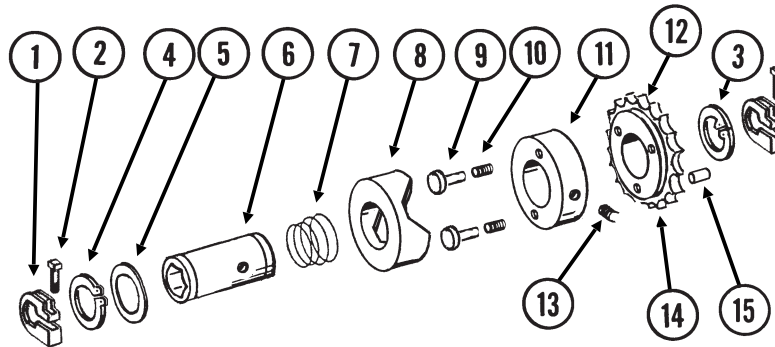


[See "Clutch Sprocket Assembly" on page P66](#)



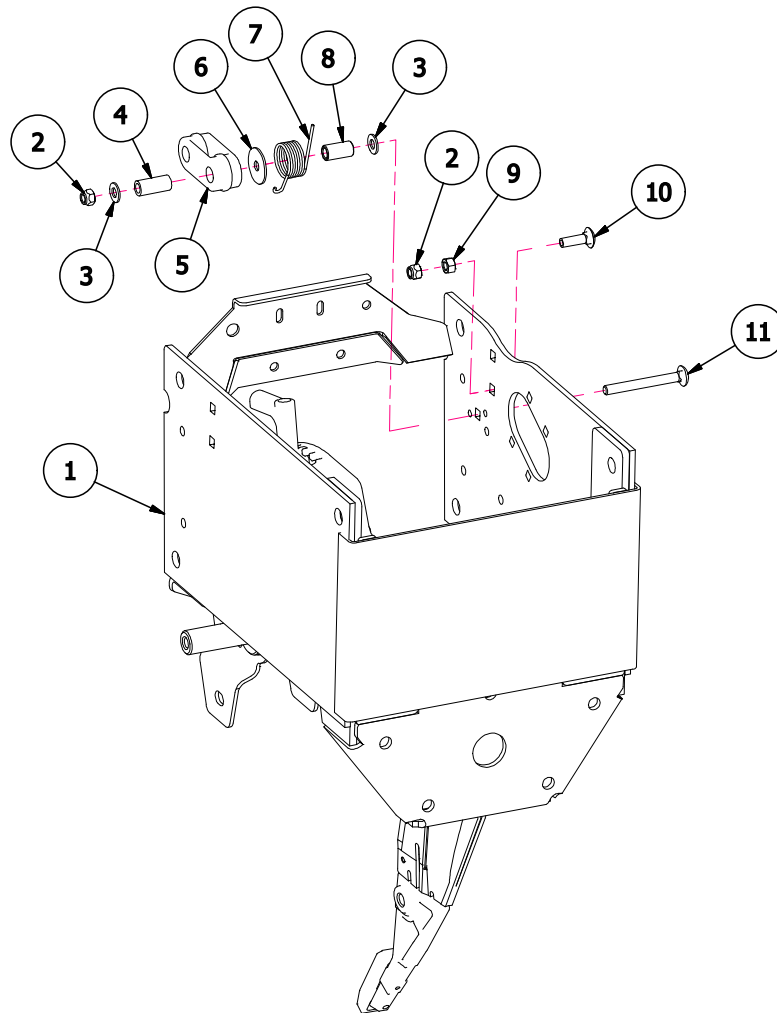
| ITEM | PART NO. | QTY. | DESCRIPTION |
|------|--------------|------|--|
| 1 | GA24373 | 1 | Crossover |
| 2 | GA7154 | 4 | Sprocket W/Bearing, 18 Tooth |
| 3 | GA5107 | 2 | Sprocket, 19 Tooth |
| 4 | GD0914-12.50 | 1 | Hex Shaft, 7/8" x 12 1/2" |
| 5 | G3400-01 | 4 | Flangette |
| 6 | G2100-03 | 2 | Bearing, 7/8" Hex Bore, Spherical |
| 7 | G11389 | 8 | Flat Washer, 1/2" Plated SAE |
| 8 | G10233 | 2 | Machine Bushing, 1 1/2" x 1/32", 10 Gauge (.1345") |
| 9 | G10303 | 6 | Carriage Bolt, 5/16"-18 x 1" |
| 10 | G10016 | 4 | Hex Head Cap Screw, 1/2"-13 x 2" |
| 11 | G10228 | 4 | Lock Washer, 1/2" |
| 12 | G10102 | 4 | Hex Nut, 1/2"-13 |
| 13 | G11386 | 6 | Flat Washer, 5/16" SAE |
| 14 | G10109 | 6 | Lock Nut, 5/16"-18 |
| 15 | GA11331 | 2 | Hex Lock Clamp Assembly |
| 16 | G10004 | - | Hex Head Cap Screw, 3/8"-16 x 1 1/4" |
| | G11091 | - | Serrated Flange Nut, 3/8"-16 |
| 17 | GA2180 | - | Hanger Bearing, 7/8" Hex Bore |
| 18 | GD0914-215 | - | Hex Shaft, 7/8" x 215" (No Holes) |
| 19 | G3310-122 | 2 | Chain, No. 40, 122 Pitch Including Connector Link |
| | GR0912 | - | Connector Link, No. 40 (Included W/G3310-122) |

(TWL58g)



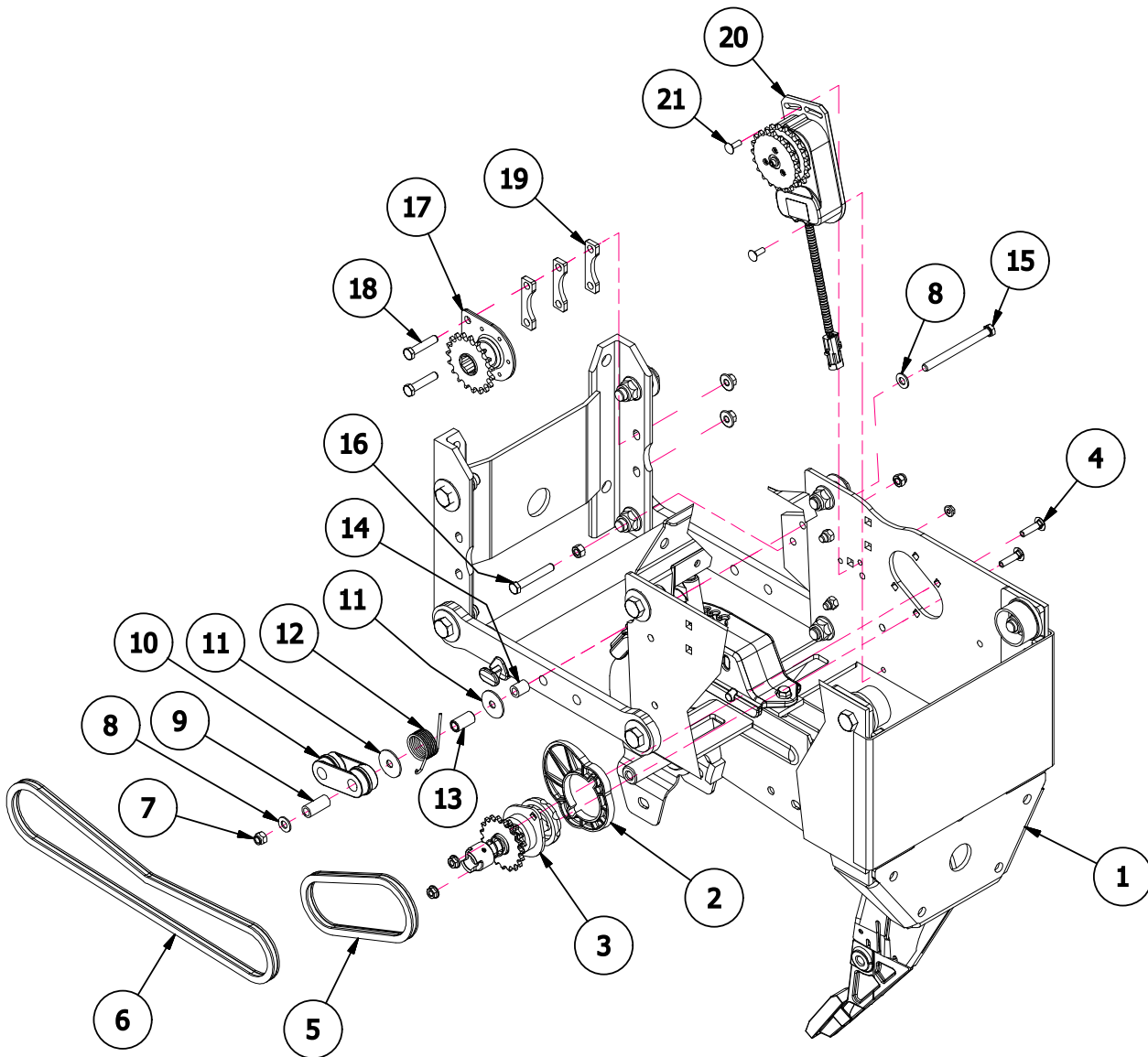
| ITEM | PART NO. | QTY. | DESCRIPTION |
|------|----------|------|---|
| 1 | GD11045 | - | Lock Clamp |
| 2 | G10130 | - | Square Head Machine Bolt, 5/16"-18 x 1 3/4" |
| | G10923 | - | Flange Nut, 5/16"-18, No Serration |
| 3 | GD8306 | 2 | U-Bolt, 7" x 5" x 1/2"-13 |
| | G10228 | 4 | Lock Washer, 1/2" |
| | G10102 | - | Hex Nut, 1/2"-13 |
| 4 | G10496 | 2 | External Inverted Snap Ring, 1 1/2" |
| 5 | GR1411 | 1 | Shim |
| 6 | GR1407 | 1 | Drive Shaft |
| 7 | GR1408 | 1 | Compression Spring |
| 8 | GR1409 | 1 | Knurled Collar |
| 9 | GR1410 | 1 | Pin |
| 10 | GR1413 | 1 | Spring |
| 11 | GR1405 | 1 | Lock Collar |
| 12 | GR1406 | 1 | Bushing |
| 13 | G10535 | 1 | Hex Socket Set Screw, 3/8"-16 x 3/4" |
| 14 | GR1412 | 1 | Sprocket, 19 Tooth |
| 15 | G10968 | 1 | Spring Pin, 5/32" x 7/16" |
| A | GA8092 | - | Clutch Sprocket Assembly, 19 Tooth (Items 4-15) |
| B | G1K331 | - | Clutch Sprocket Kit (Items 12, 14 And 15) |

(IP1586)



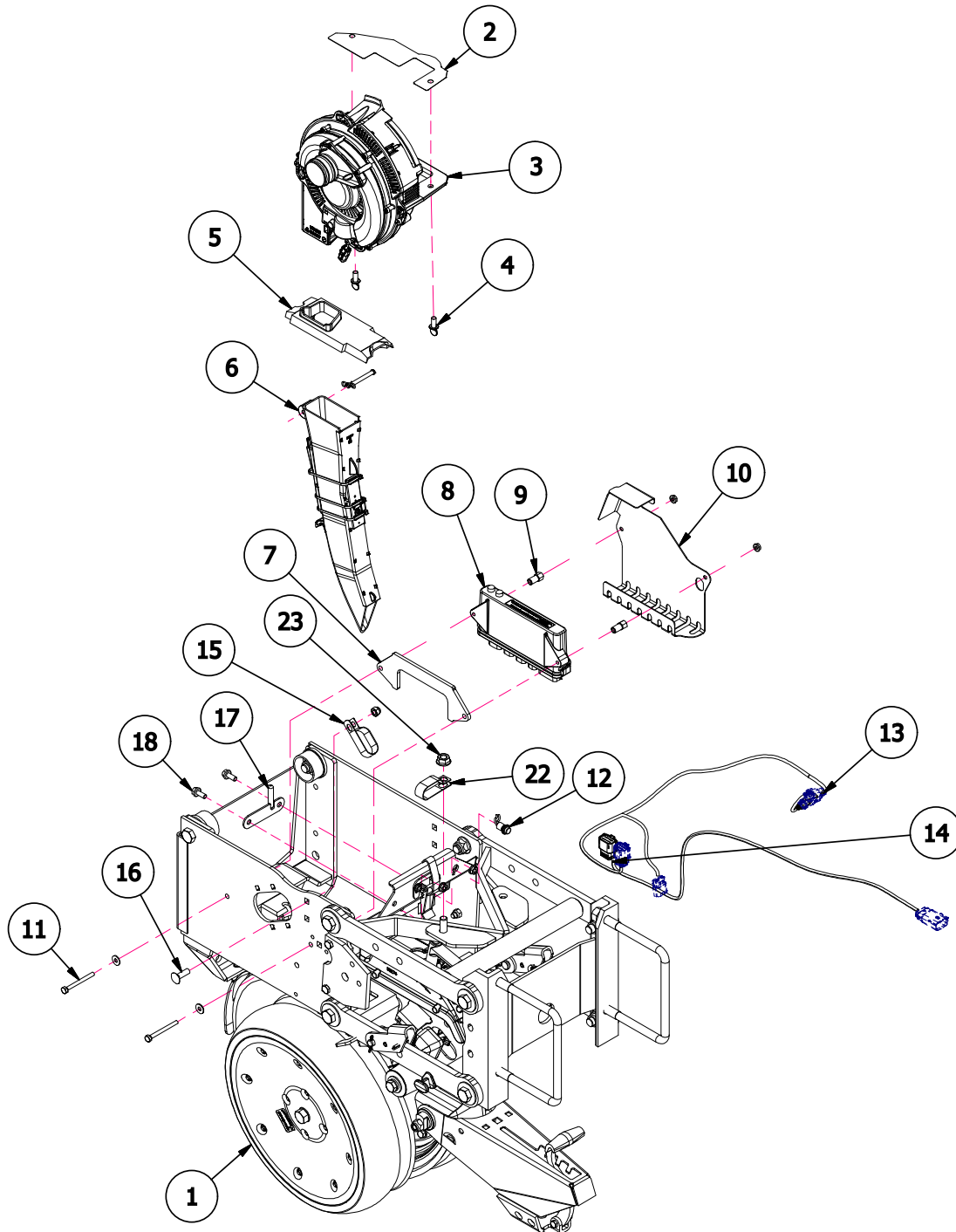
| ITEM | PART NO. | QTY. | DESCRIPTION |
|------|-----------|------|--|
| 1 | --- | - | See "Parallel Arms and Face Plate (Split Row)" P58 |
| 2 | G10108 | 2 | Lock Nut, 3/8"-16 |
| 3 | G11387 | 2 | Flat Washer, 3/8" SAE |
| 4 | GD8893-01 | 1 | Sleeve, 1 3/8" Long |
| 5 | GB0968 | 1 | Idler, Push Unit Drive |
| 6 | G10201 | 1 | Special Washer, 3/8" x 1 1/2" O.D. |
| 7 | GD11218 | 1 | Spring |
| 8 | GD1026 | 1 | Sleeve, 1 3/16" |
| 9 | G10101 | 1 | Hex Nut, 3/8"-16 |
| 10 | G10599 | 1 | Carriage Bolt, 3/8"-16 x 1 1/4" |
| 11 | G10307 | 1 | Carriage Bolt, 3/8"-16 x 3 1/2" |

(IP1590)



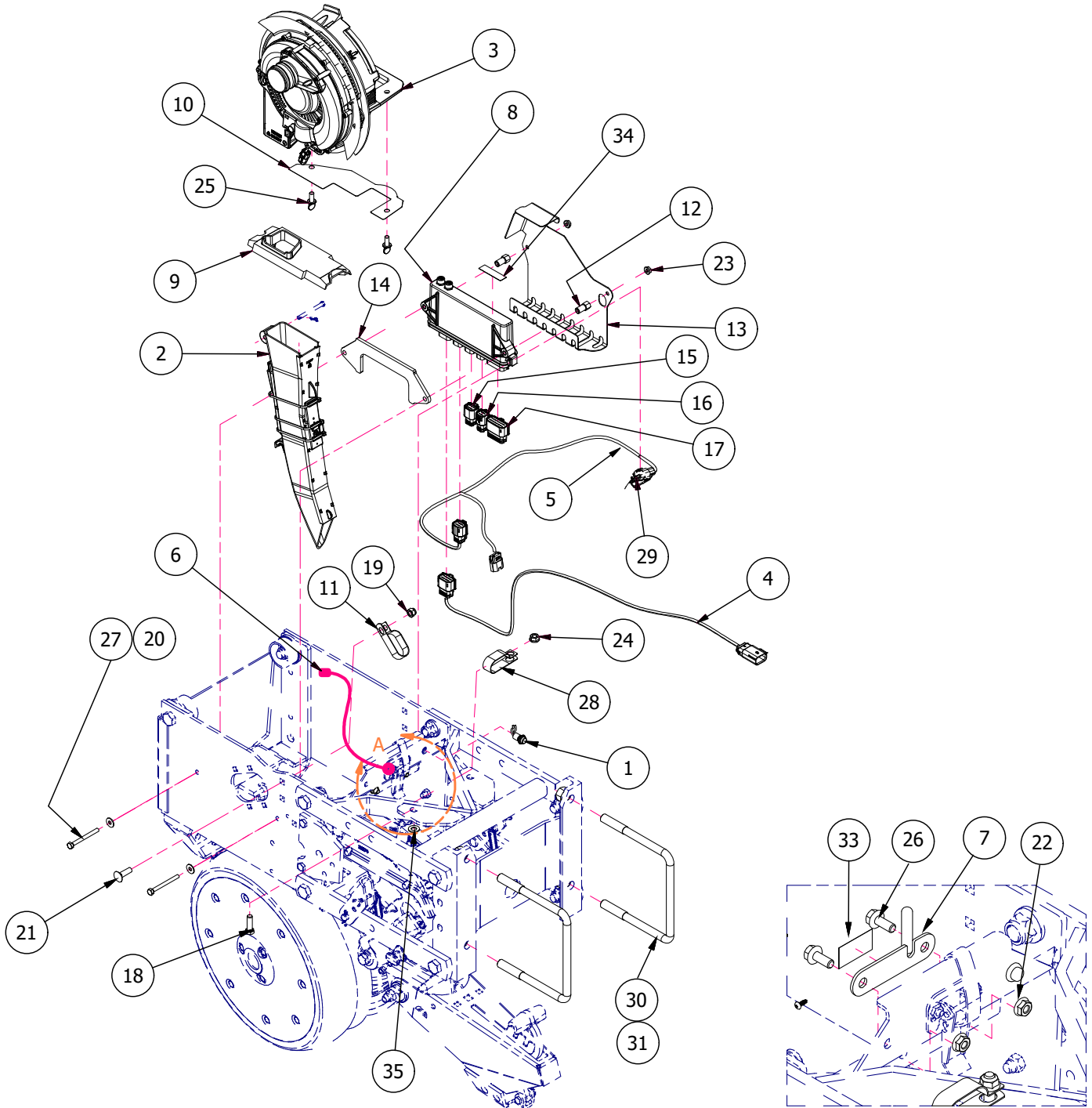
| ITEM | PART NO. | QTY. (Per Row) | DESCRIPTION |
|------|-----------|-------------------|--|
| 1 | --- | - | See "Parallel Arms and Face Plate (Split Row)" P58 |
| 2 | GB0331 | 1 | Clutch Adapter Plate |
| 3 | GA10151 | 1 | Seed Meter Clutch Assembly |
| 4 | G10338 | 2 | Carriage Bolt, 5/16"-18 x 1 1/4" |
| | G10620 | 2 | Serrated Flange Nut, 5/16"-18 |
| 5 | G3303-41 | 1 | Chain, No. 41, 41 Pitch Including Connector Link |
| 6 | G3303-78 | 1 | Chain, No. 41, 78 Pitch Including Connector Link |
| 7 | G10108 | 1 | Lock Nut, 3/8"-16 |
| 8 | G11387 | 2 | Flat Washer, 3/8" SAE |
| 9 | GD8893-01 | 1 | Sleeve, 1 3/8" Long |
| 10 | GB0968 | 1 | Idler, Push Unit Drive |
| 11 | G10201 | 2 | Special Washer, 3/8" x 1 1/2" O.D. |
| 12 | GD11218 | 1 | Spring |
| 13 | GD1026 | 1 | Sleeve, 1 3/16" |
| 14 | GD2971-24 | 1 | Sleeve, 3/4" |
| 15 | G10753 | 1 | Hex Head Cap Screw, 3/8"-16 x 4 1/2" |
| 16 | G10049 | 1 | Hex Head Cap Screw, 3/8"-16 x 2 1/2" |
| | G10101 | 1 | Hex Nut, 3/8"-16 |
| | G10108 | 1 | Lock Nut, 3/8"-16 |
| 17 | GA1720 | 1 | Bearing/Sprocket, 19 Tooth, 7/8" Hex Bore |
| 18 | G10047 | 2 | Hex Head Cap Screw, 3/8"-16 x 1 3/4" |
| 19 | GD23774 | 3 | Spacer |
| 20 | GA16374 | 1 | Electric Clutch (Blue Drive Only) |
| 21 | G10310 | 2 | Carriage Bolt, 1/4"-20 x 3/4", Grade 2 |
| | G10621 | 2 | Serrated Flange Nut, 1/4"-20 |

(IP1590)



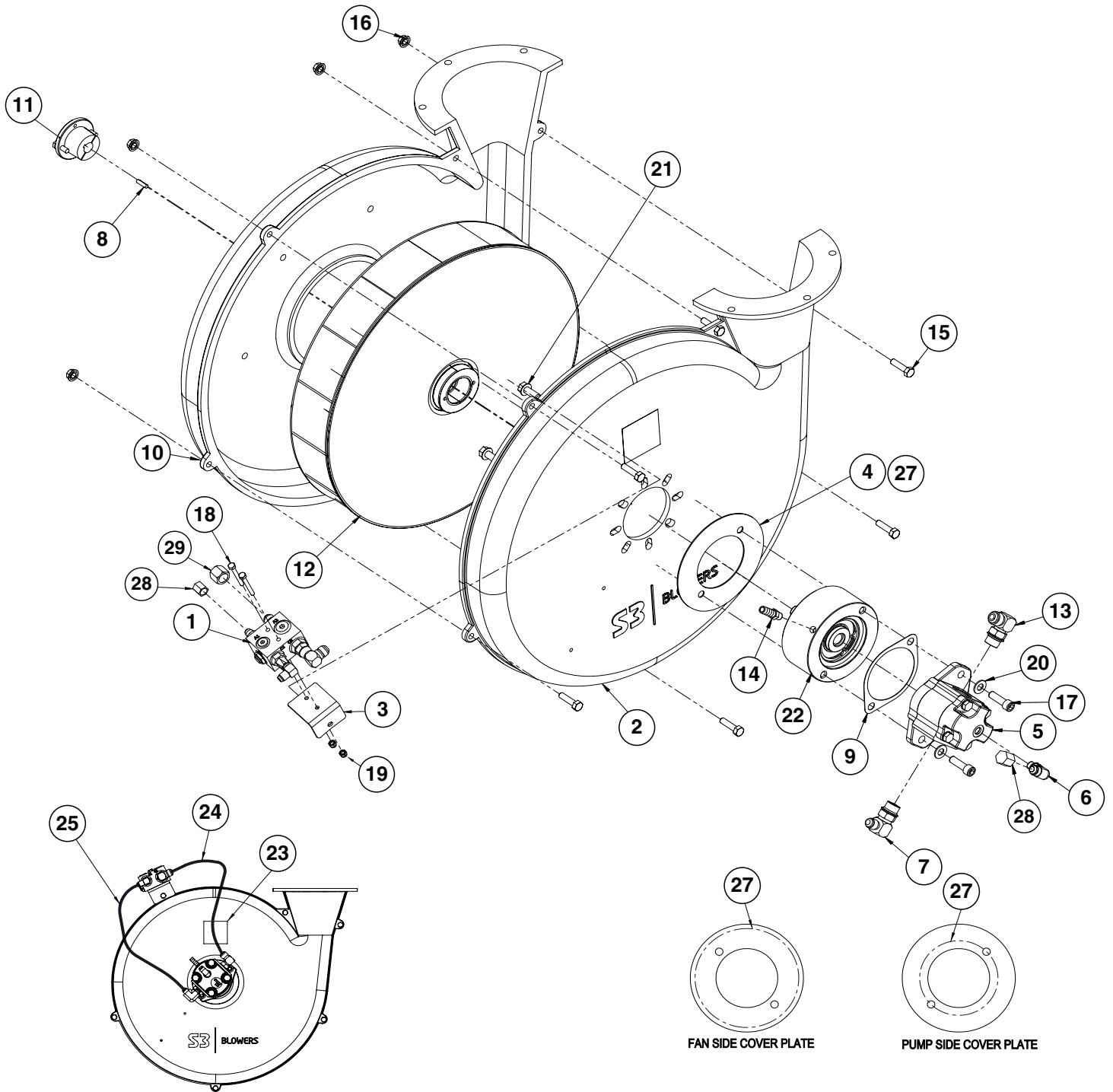
| ITEM | PART NO. | QTY. (Per Row) | DESCRIPTION |
|------|----------|-------------------|--|
| 1 | --- | - | See "Clutch Sprocket Assembly" on page P66 |
| 2 | GD29413 | 1 | Hopper Shim |
| 3 | GA21450 | 1 | See "Vacuum Seed Meter" on page P21 |
| 4 | G11009 | 2 | Locking Thumbscrew, 5/16"-18 x 3/4" |
| 5 | GB0926 | 1 | Shank Cover |
| 6 | GA20914 | 1 | Seed Tube Sensor |
| 7 | GD35629 | 1 | IPN Row Unit Plate |
| 8 | GA25949 | 1 | IPN Module Assembly |
| 9 | GD35609 | 2 | Hex Standoff |
| 10 | GD35628 | 1 | IPN Wire Shield, Push Unit |
| 11 | G11929 | 2 | Hex Socket Flange Cap Screw, 5/16"-18 x 3/4" |
| | G10209 | 2 | Washer, 1/4" USS |
| | G10621 | 2 | Serrated Flange Nut, 1/4"-20 |
| 12 | GA15485 | 1 | Switch |
| 13 | GA25039 | 1 | Row Unit Seed Meter Harness |
| 14 | GA25029 | 1 | Row Unit Power Extension Harness |
| 15 | GD35449 | 1 | Double Tube Clamp, 1" |
| 16 | G10599 | 1 | Carriage Bolt, 3/8"-16 x 1 1/4" |
| | G10108 | 1 | Lock Nut, 3/8"-16 |
| 17 | GA25084 | 1 | Meter Wire Guard |
| 18 | G11539 | 2 | Hex Socket Flange Cap Screw, 5/16"-18 x 3/4" |
| | G10620 | 2 | Serrated Flange Nut, 5/16"-18 |
| 19 | GD35836 | 1 | Sealed Plug, MX150, 2 x 4, Key B W/CPA |
| 20 | GD35837 | 1 | Sealed Plug, MX150, 2 x 3, Key A W/CPA |
| 21 | GD35838 | 1 | Sealed Plug, MX150, 2 x 10, Key A W/CPA |
| 22 | GD36388 | 1 | 1" Double Tube Clamp, 1/2" Bolt |
| 23 | G10071 | 1 | Serrated Flange Nut, 1/2"-13 |
| | G10037 | 1 | Hex Head Cap Screw, 1/2"-13 X 1 1/4" |
| | G11389 | 1 | Flat Washer, 1/2" Plated SAE |

(10021103)



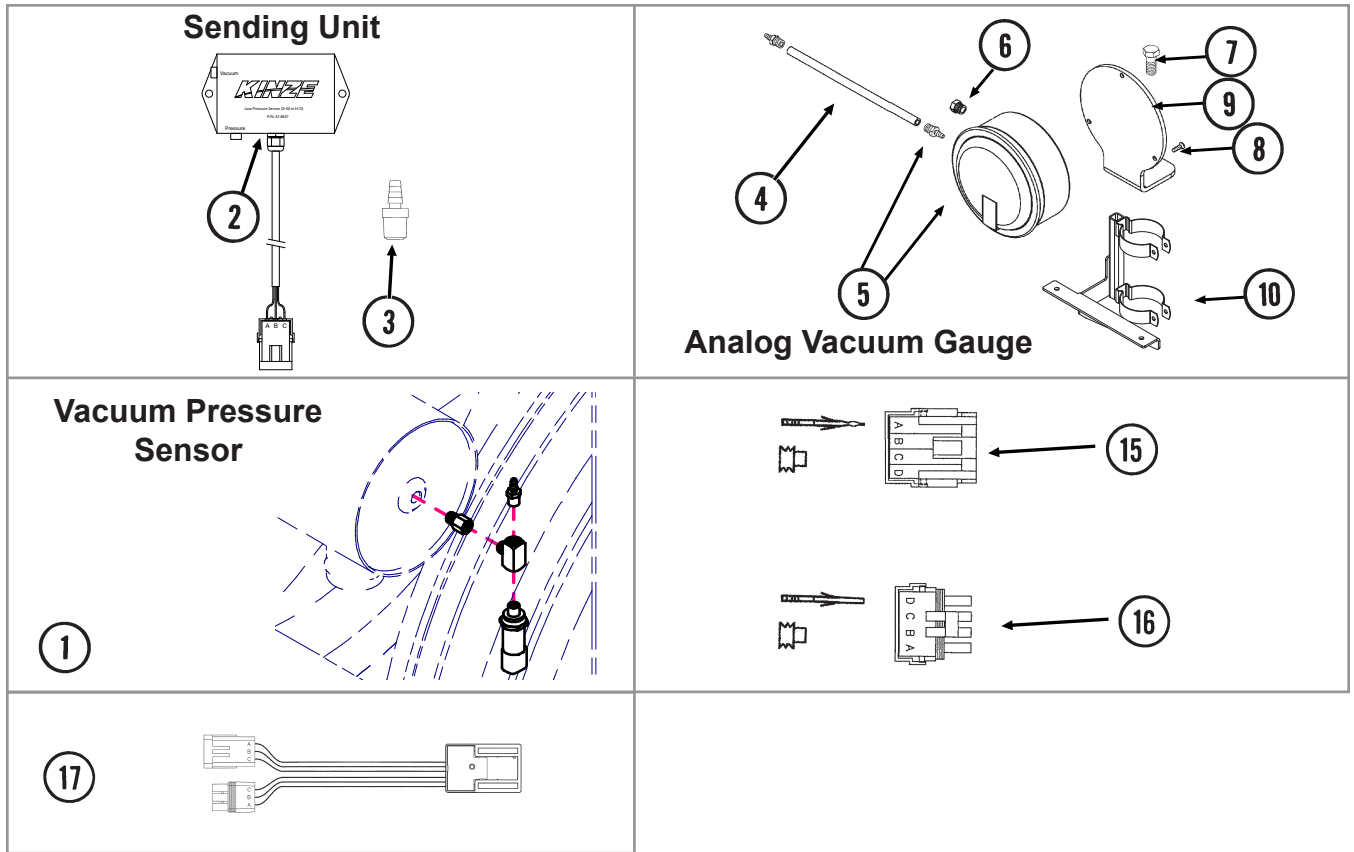
| ITEM | PART NO. | QTY. (Per Row) | DESCRIPTION |
|------|-----------|-------------------|--|
| 1 | GA15485 | 1 | Switch |
| 2 | GA20914 | 1 | Seed Tube Sensor |
| 3 | G10113001 | 1 | True Rate Meter with Electric Motor Assembly (Item Shown Not Installed) |
| 4 | GA25029 | 1 | Row Unit Power Extension Harness |
| 5 | G10884801 | 1 | Push Unit Seed Meter Harness |
| 6 | GA20712 | 1 | Row Unit ESD Drain Harness |
| 7 | GA25084 | 1 | Meter Wire Guard |
| 8 | GA25949 | 1 | IPN Module Assembly |
| 9 | GB0926 | 1 | Shank Cover (Item Shown Not Installed) |
| 10 | GD29413 | 1 | Hopper Shim (Item Shown Not Installed) |
| 11 | GD35449 | 1 | Double Tube Clamp, 1" |
| 12 | GD35609 | 2 | Hex Standoff |
| 13 | GD35628 | 1 | IPN Wire Shield, Push Unit |
| 14 | GD35629 | 1 | IPN Row Unit Plate |
| 15 | GD35836 | 1 | Sealed Plug, MX150 2 x 4, Key B W/O CPA |
| 16 | GD35837 | 1 | Sealed Plug, MX150, 2 x 3, Key A W/CPA |
| 17 | GD35838 | 1 | Sealed Plug, MX150 2 x 10, Key A W/CPA |
| 18 | G10004 | 1 | Hex Head Cap Screw, 3/8"-16 x 1 1/4" |
| 19 | G10108 | 1 | Lock Nut, 3/8"-16 |
| 20 | G10209 | 2 | Washer, 1/4" USS |
| 21 | G10599 | 1 | Carriage Bolt, 3/8"-16 x 1 1/4" |
| 22 | G10620 | 2 | Serrated Flange Nut, 5/16"-18 |
| 23 | G10621 | 2 | Serrated Flange Nut, 1/4"-20 |
| 24 | G10622 | 1 | Serrated Flange Nut, 3/8"-16 |
| 25 | G11009 | 2 | Locking Thumbscrew, 5/16"-18 x 3/4" (Item Shown Not Installed) |
| 26 | G11539 | 2 | Hex Socket Flange Cap Screw, 5/16"-18 x 3/4" |
| 27 | G11929 | 2 | Hex Head Cap Screw, 1/4"-20 x 2.75", Grade 5 |
| 28 | GD36388 | 1 | 1" Double Tube Clamp, 1/2" Bolt |
| 29 | GA18933 | 1 | Dust Plug |
| 30 | GD1113 | 2 | U-Bolt, 5" x 7" x 5/8"-11 |
| 31 | G10104 | 4 | Hex Nut, 5/8"-11 |
| 32 | G10230 | 4 | Lock Washer, 5/8" |
| 33 | G7100-610 | 1 | Decal, IPN/IPR M12 Connector O-ring |
| 34 | G10371001 | 1 | Decal, Meter Wire |
| 35 | G11387 | 1 | Flat Washer, 3/8" SAE |

(109235)



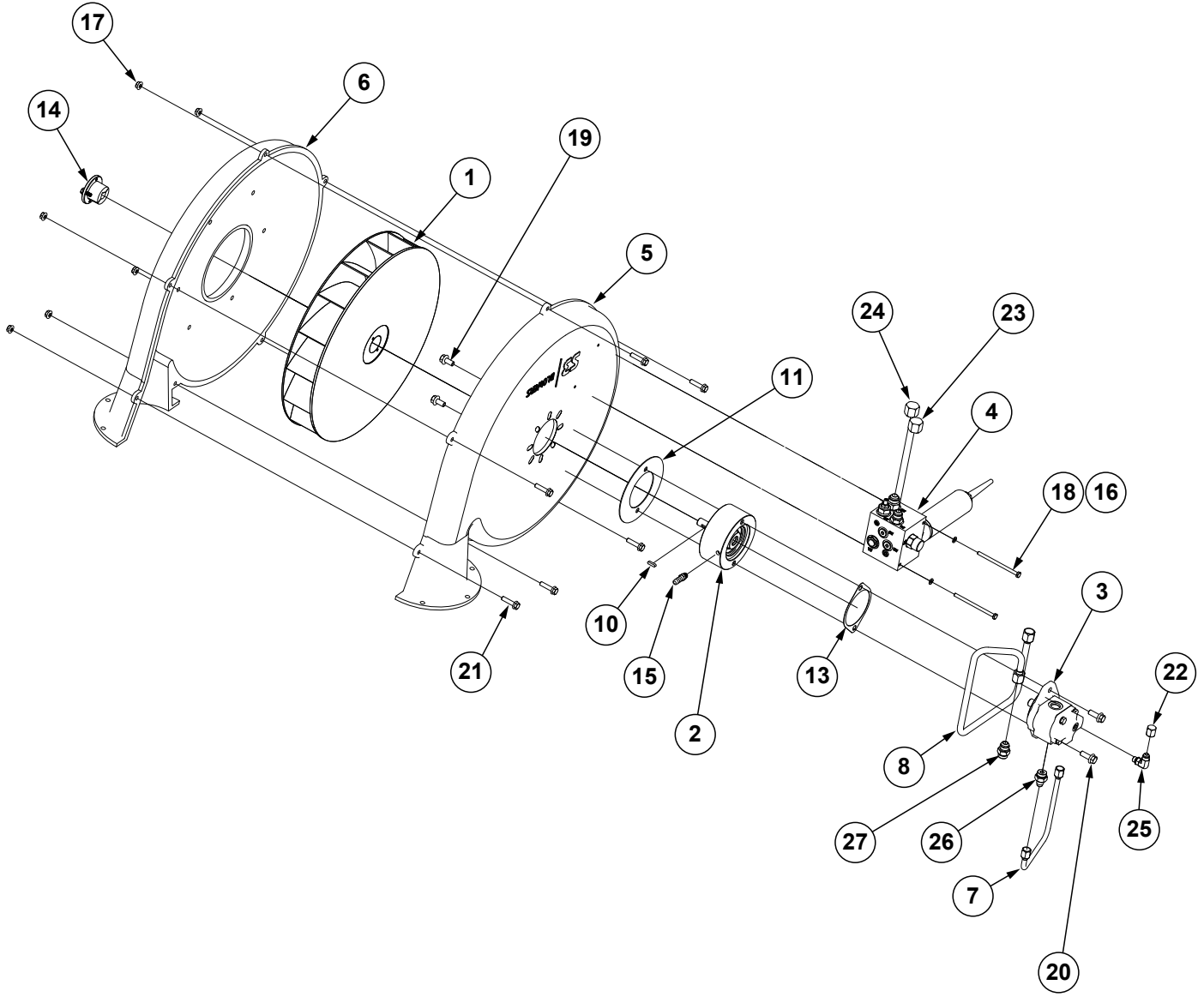
| ITEM | PART NO. | QTY. | DESCRIPTION |
|------|-------------|------|--|
| 1 | GA26398 | 1 | Bulk Fill/Vacuum Anti-Cavitation Check Valve Block |
| 2 | GD35448 | 1 | Vacuum Fan Drive Case |
| 3 | GD34098 | 1 | Plate Mount Bracket |
| 4 | GD25644 | 1 | Cover Plate |
| 5 | GA25397 | 1 | Vacuum Fan Motor |
| 6 | G6801-06-04 | 1 | Elbow, 90°, 9/16"-18 x 7/16"-20 W/O-Ring |
| 7 | G6801-06-08 | 1 | Elbow, 90°, 9/16"-18 x 3/4"-16 W/O-Ring |
| 8 | GD21300 | 1 | Key, 3/16" x 3/4" |
| 9 | GD30882 | 1 | 2-Bolt Mount Gasket |
| 10 | GD35447 | 1 | Inlet Housing |
| 11 | GD34103 | 1 | Bushing |
| 12 | GA21510 | 1 | Impeller |
| 13 | G6801-08 | 1 | Elbow, 90°, 3/4"-16 x 4"-16 W/O-Ring |
| 14 | GD35294 | 1 | Hose Barb, 1/8"-27 NPTF x 3/8" |
| 15 | G10171 | 6 | Hex Head Cap Screw, 5/16"-18 x 1 1/4" |
| 16 | G10620 | 6 | Serrated Flange Nut, 5/16"-18 |
| 17 | G11848 | 2 | Hex Socket Head Cap Screw, 3/8"-16 x 1-1/4" |
| 18 | G10880 | 2 | Hex Head Cap Screw, 1/4"-20 x 2 1/4" |
| 19 | G11320 | 2 | Lock Nut, 1/4"-20, Grade B |
| 20 | G11387 | 2 | Hardened Washer, 3/8 SAE |
| 21 | G11124 | 2 | Hex Serrated Flange Cap Screw, 3/8"-16 x 1" |
| 22 | GA25388 | 1 | Load Adapter |
| 23 | G10367101 | 1 | Decal, Caution |
| 24 | GA12767 | 1 | Hose Assy 1/2 X 22.0 (08F-08F) |
| 25 | GA3292 | 1 | Hose Assy 3/8 X 22 (06F-06F) |
| 26 | GD20984 | 1 | LOCTITE 243 |
| 27 | GD27215 | 1 | Silicone Sealer, Dow Corning 732, Clear |
| 28 | G304-C-6 | 2 | Cap Nut, 9/16"-18 |
| 29 | G304-C-8 | 1 | Cap Nut, 3/4"-16 |

This page left blank intentionally.



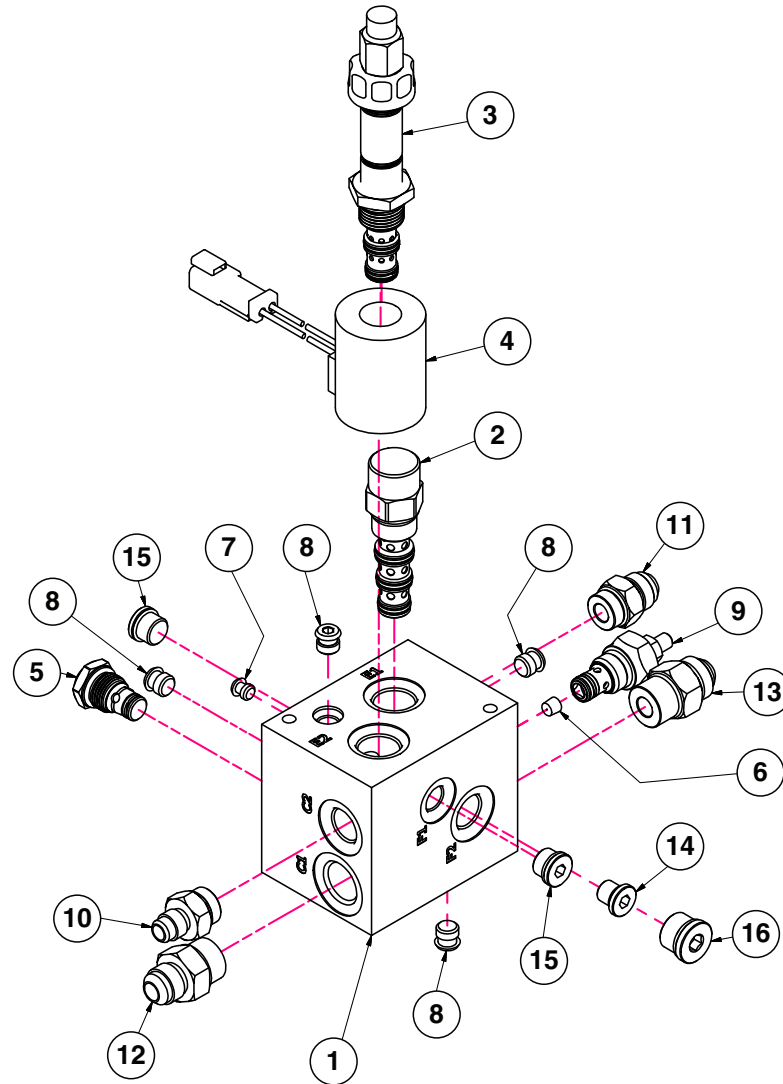
| ITEM | PART NO. | QTY. | DESCRIPTION |
|------|------------|------|---|
| 1 | GA14805 | 1 | Air Pressure/Vacuum Sensor |
| | GD28372 | 1 | 1/8" NPT Tee, Brass (Female/Male/Female) |
| | GD35903 | 1 | Adapter Male 1/8 NPT |
| | GR1736 | 1 | Hose Barb, 1/8" Male NPT To Barb |
| 2 | GA14847 | 1 | Low Pressure Sensor (0-40 IN H ₂ O) |
| | GD17151-03 | - | Nylon Tubing, 1/4" O.D. x 37' |
| | GA9964 | - | Strain Relief |
| 3 | GR1736 | 1 | Hose Barb, 1/8" Barb To 1/8" Male NPT |
| 4 | GD15849-02 | 1 | Clear Plastic Tubing, 5/16" O.D. x 3/16" I.D. x 120" |
| 5 | GA21406 | 1 | Pressure Gauge W/Hose Barb |
| | GR1777 | - | Hose Barb, 1/8" Male NPT To 3/16" Barb (Included W/GA21406) |
| 6 | GA10799 | 1 | Breather, 1/8" Male NPT |
| 7 | G10001 | 1 | Hex Head Cap Screw, 3/8"-16 x 1" |
| | G10108 | 1 | Lock Nut, 3/8"-16 |
| 8 | G11215 | 3 | Hex Socket Head Cap Screw, No. 6-32 x 3/8", Grade 8 |
| 9 | GD15804 | 1 | Mount |
| 10 | GA14600 | 1 | Pressure Gauge Mount |
| 15 | GA8328 | - | 4-Pin Female Connector Kit, 4 Seals And 4 Pin Contacts |
| 16 | GA8329 | - | 4-Pin Connector W/Male Housing, 4 Seals And 4 Socket Contacts |
| 17 | GA12812 | - | Hall Effect Adapter |

(A26162)



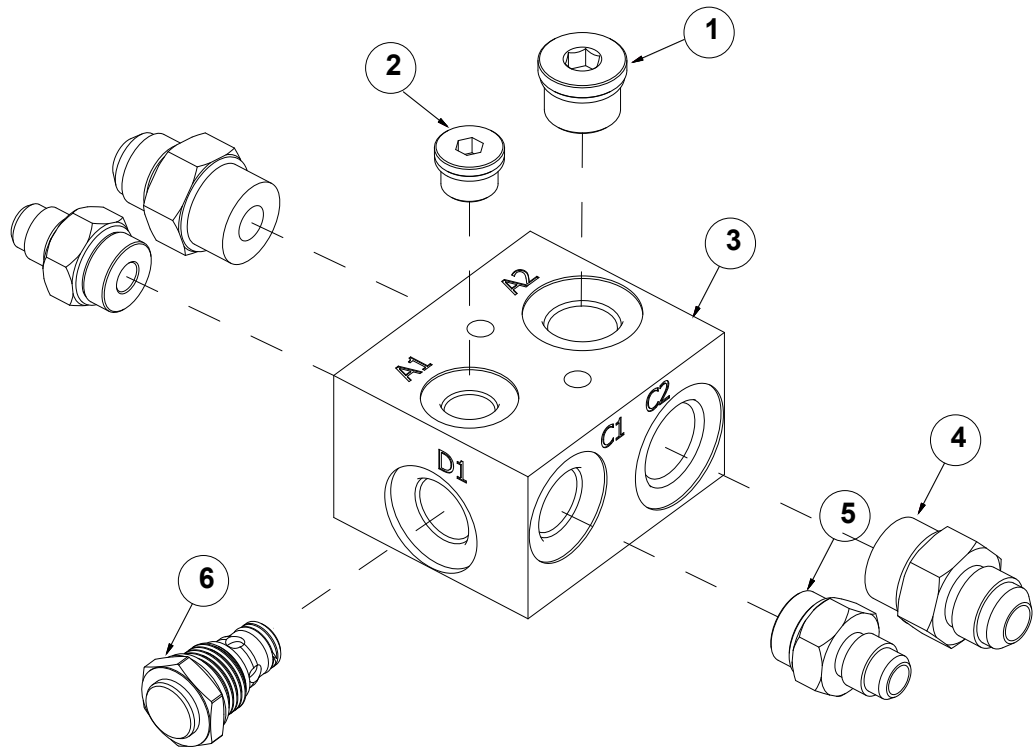
| ITEM | PART NO. | QTY. | DESCRIPTION |
|------|-----------------------|--------|---|
| 1 | GA21510 | 1 | Impellor |
| 2 | GA25388 GD20928 | 1 - | Overhung Load Adapter Bearing (Included W/GA25388) |
| 3 | GA25397 GR1734 | 1 - | Vacuum Fan Motor Motor Repair/Seal Kit |
| 4 | --- | - | See "Hydraulic Valve Block on Vacuum Motor" on page P80 |
| 5 | GD35448 | 1 | Drive Housing |
| 6 | GD35447 | 1 | Inlet Housing |
| 7 | GA25434 | 1 | Steel Hydraulic Line, 3/8" |
| 8 | GA25435 | 1 | Steel Hydraulic Line, 1/2" |
| 9 | --- | - | --- |
| 10 | GD21300 | 1 | Key |
| 11 | GD25644 | 1 | Cover Plate |
| 12 | --- | - | --- |
| 13 | GD30882 | 1 | 2-Bolt Mount Gasket |
| 14 | GD34103 | 1 | Bushing |
| 15 | GD35294 | 1 | Hose Barb, 1/8"-27 NPTF x 3/8" |
| 16 | G10227 | 2 | Lock Washer, 1/4" |
| 17 | G10620 | 6 | Serrated Flange Nut, 5/16"-18 |
| 18 | G10943 | 2 | Hex Head Cap Screw, 1/4"-20 x 4" |
| 19 | G11123 | 2 | Hex Serrated Flange Cap Screw, 3/8"-16 x 3/4" |
| 20 | G11124 | 2 | Hex Serrated Flange Cap Screw, 3/8"-16 x 1" |
| 21 | G11921 | 6 | Hex Serrated Flange Cap Screw, 5/16"-18 x 1 1/4", Grade 5 |
| 22 | G304-C-06 | 1 | Cap Nut, 9/16"-18 |
| 23 | G304-C-8 | 1 | Cap Nut, 3/4"-16 |
| 24 | G304-C-10 | 1 | Cap Nut, 7/8"-14 |
| 25 | G6801-06-04 | 1 | Elbow, 90°, 9/16"-18 x 7/16"-20 W/O-Ring |
| 26 | G6400-06-08 GR1037 | 1 - | Connector W/O-Ring, 9/16"-18 Male JIC To 3/4"-16 O-Ring O-Ring |
| 27 | G6400-08 GR1037 | 1 - | Connector W/O-Ring, 3/4"-16 Male JIC To O-Ring O-Ring |

(A26164)



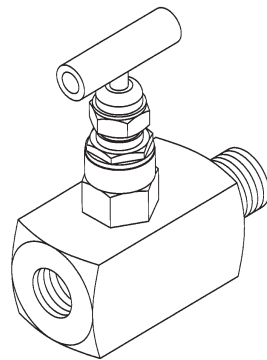
| ITEM | PART NO. | QTY. | DESCRIPTION |
|------|---------------|------|---|
| 1 | GD30571 | 1 | Bulk Fill Fan Valve Block |
| 2 | GA20270 | 1 | Pressure Compensator, 150 PSI |
| 3 | GA20271 | 1 | Proportional Flow Control, 0-8 GPM |
| 4 | GA20272 | 1 | Coil, 12VDC |
| 5 | GA21067 | 1 | Check Valve, No. 8 |
| 6 | GD29315 | 1 | Flow Restrictor Orifice, .015" Diameter |
| 7 | GD29318 | 1 | Plug |
| 8 | GD29321 | 4 | Plug |
| 9 | GD35446 | - | Inverse Relief 8-2 (Conventional) |
| | or GA21067 | - | Check Valve, No. 8 (Bulk Fill) |
| 10 | G6400-06-08 | 1 | Adapter, 9/16-18 JIC, 3/4-16 O-Ring |
| 11 | G6400-08 | 1 | Adapter, 3/4-16 JIC, 3/4-16 O-Ring |
| 12 | G6400-08-10 | 1 | Connector W/O-Ring, 3/4"-16 Male JIC To 7/8"-14 O-Ring |
| 13 | G6400-10 | 1 | Connector W/O-Ring, 7/8"-14 Male JIC To O-Ring |
| 14 | G6408-H04-0 | 1 | Hex Socket Head Plug, 7/16"-20 (Remove when PTO is used) |
| 15 | G6408-H06-O | 2 | O-Ring Plug, 9/16-18 Hex Soc Head |
| 16 | G6408-H08-0 | 1 | Hex Socket Head Plug W/O-Ring, 3/4"-16 |

(A24507)



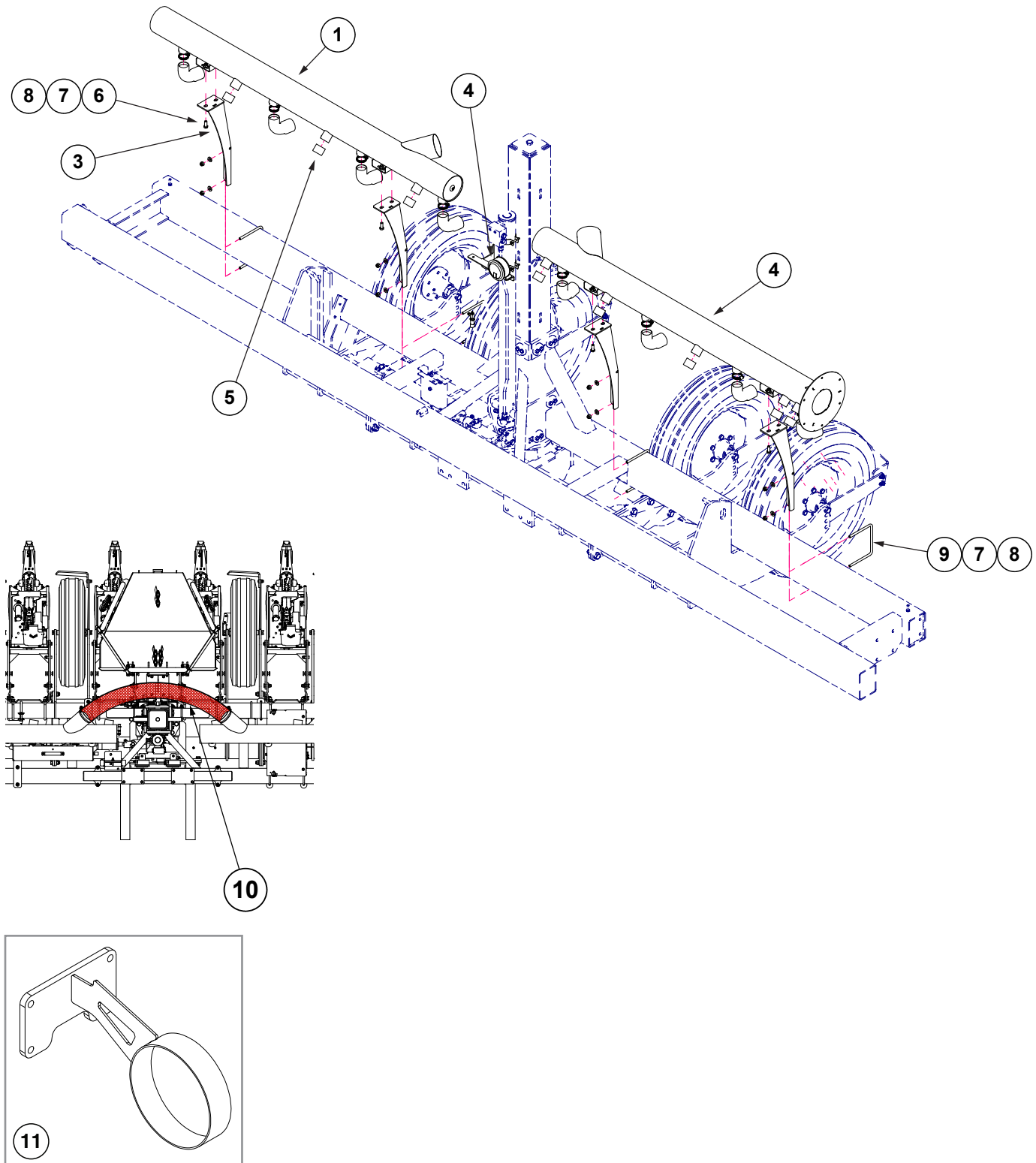
| ITEM | PART NO. | QTY. | DESCRIPTION |
|------|-------------|------|---|
| 1 | G6408-H08-0 | 1 | Hex Socket Head Plug W/O-Ring, 3/4"-16 |
| 2 | G6408-H06-O | 1 | Hex Socket Head Plug W/O-Ring, 9/16"-18 O-Ring |
| 3 | GD33511 | 1 | Valve Block |
| 4 | G6400-08-10 | 2 | Connector W/O-Ring, 3/4"-16 Male JIC To 7/8"-14 O-Ring |
| 5 | G6400-06-08 | 2 | Connector W/O-Ring, 9/16"-18 Male JIC To 3/4"-16 O-Ring |
| 6 | GA21067 | 1 | Check Valve, No. 8 |

(A11650)



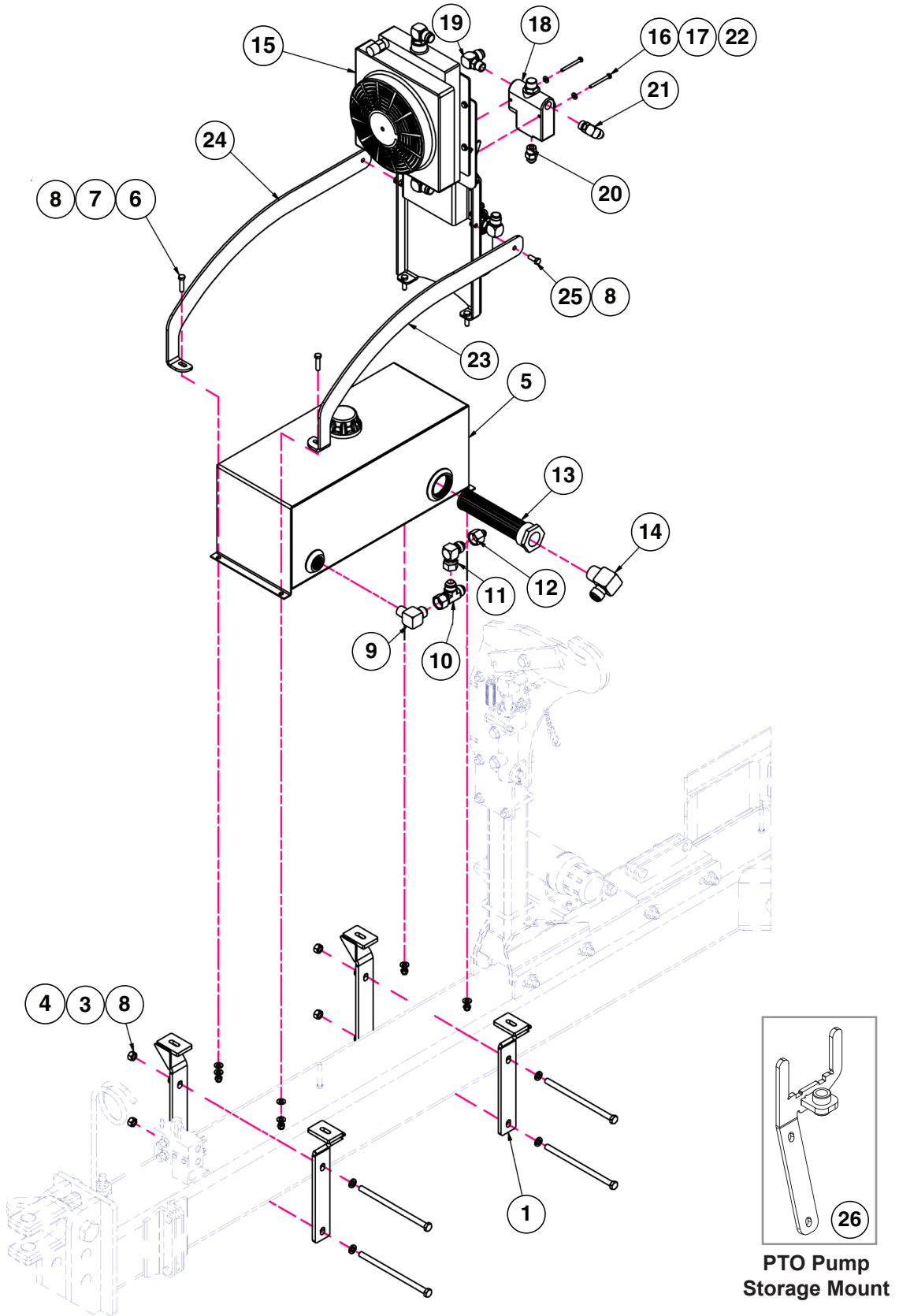
| ITEM | PART NO. | QTY. | DESCRIPTION |
|------|----------|------|---------------------------------|
| 1 | G1K426 | - | Needle Valve Kit W/Instructions |

(A27169)



| ITEM | PART NO. | QTY. | DESCRIPTION |
|------|------------|------|--|
| 1 | GA25736 | 1 | Vacuum Manifold, R.H. |
| 2 | GA25735 | 1 | Vacuum Manifold, L.H. |
| 3 | GA25737 | 4 | Vacuum Manifold Mount |
| 4 | GA27174 | 1 | See "Digital and Analog Vacuum Gauges" on page P77 |
| 5 | G11147 | - | Cap, 2" |
| 6 | G10037 | 8 | Hex Head Cap Screw, 1/2"-13 X 1 1/4" |
| 7 | G10111 | 16 | Lock Nut, 1/2"-13 |
| 8 | G11389 | 24 | Flat Washer, 1/2" Plated SAE |
| 9 | GD11721 | 4 | U-Bolt, 5" x 7" x 1/2"-13 |
| 10 | GD15867-13 | 1 | Reinforced Hose, 5" x 64" |
| | G11188 | 1 | T-Bolt Clamp, 5 1/4" |
| 11 | GA24381 | 1 | Bracket |
| | GD19212 | 2 | U-Bolt, 2 1/2" x 3/8"-16 |
| | G11091 | 4 | Serrated Flange Nut, 3/8"-16 |

(A25745/A26135/A26136)



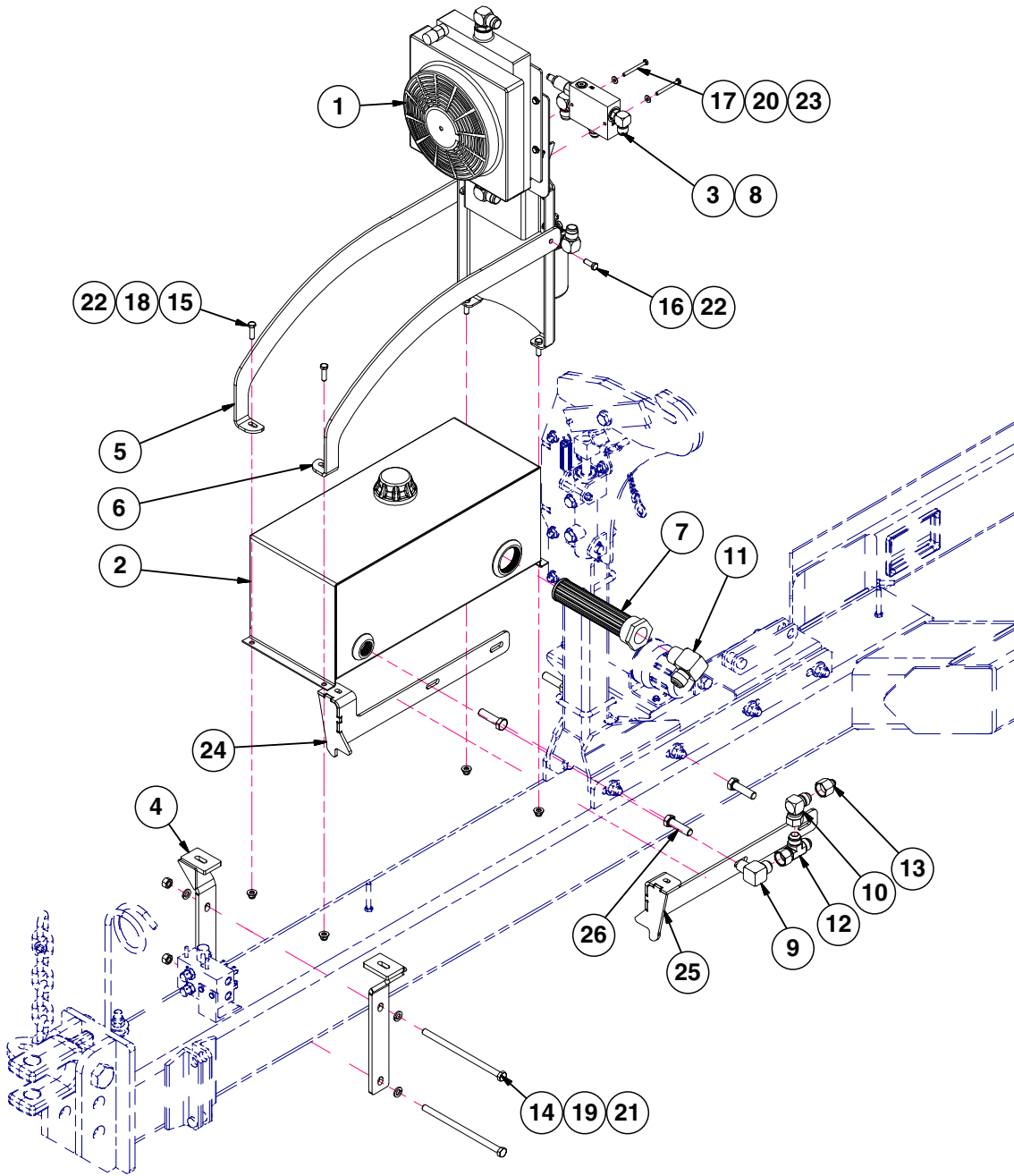
PTO Pump Drive and Oil Cooler Option, Ground Contact Drive

M0311-02

Model 3505

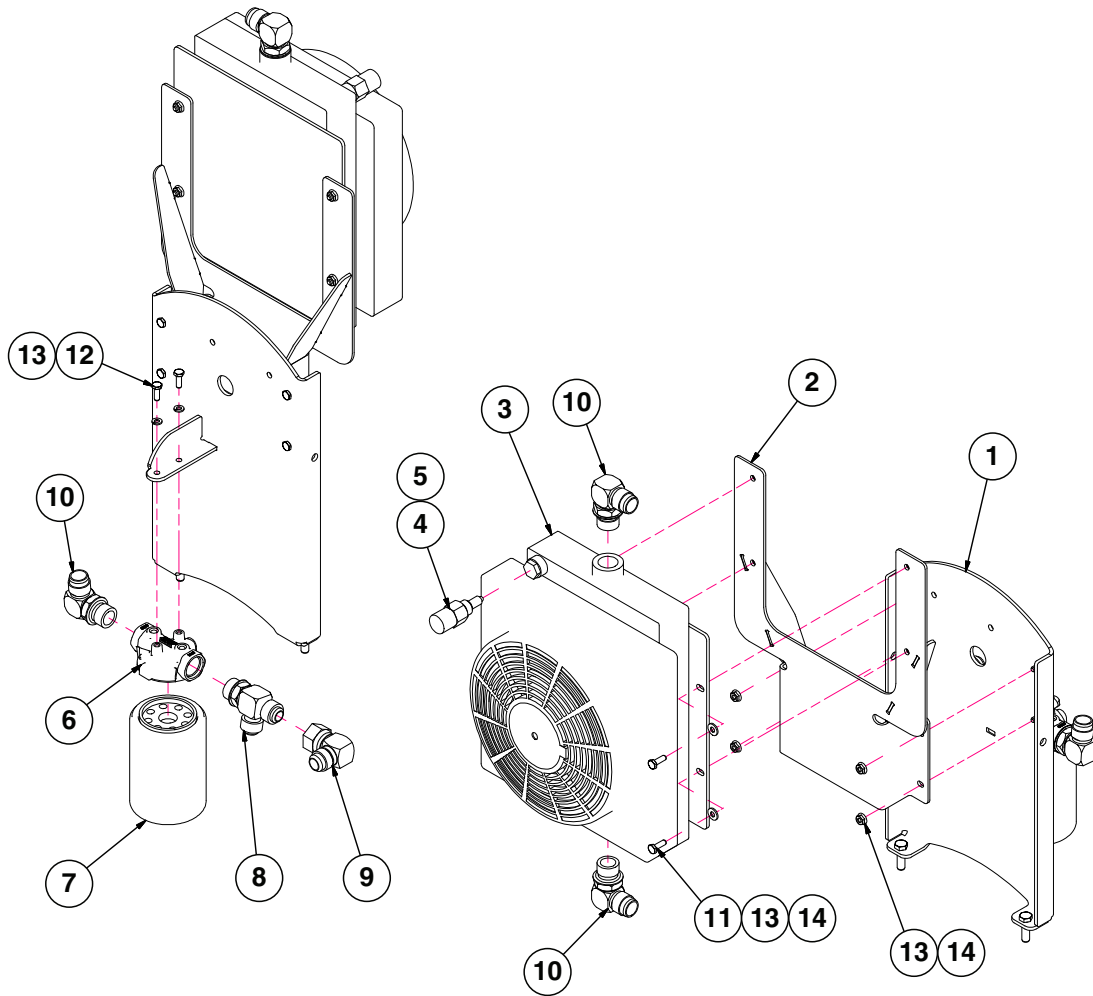
| ITEM | PART NO. | QTY. | DESCRIPTION |
|------|--|------------------|--|
| 1 | G10018501 | 4 | Tank Mount |
| 2 | G10909 | 4 | Hex Head Cap Screw, 1/2"-13 x 9" |
| 3 | G10228 | 8 | Lock Washer, 1/2" |
| 4 | G10102 | 4 | Hex Nut, 1/2"-13 |
| 5 | G10200501 | 1 | Hydraulic Tank, 10 Gal. W/Strainer |
| 6 | G10003 | 2 | Hex Head Cap Screw, 3/8"-16 x 1 1/2" |
| 7 | G11387 | 6 | Hardened Washer, 3/8" SAE |
| 8 | G10108 | 6 | Lock Nut, 3/8"-16 |
| 9 | G2501-12-16 | 1 | Elbow, 90°, 1-1/16"-12 Male JIC To 1" NPT |
| 10 | G6602-12 | 1 | Swivel Tee, 1-1/16"-12 |
| 11 | G6500-12 | 1 | Swivel Elbow, 90°, 1 1/16"-12 Male JIC To Female |
| 12 | G2406-12-08 | 1 | Reducer Tee, 1-1/16"-12 JIC x 3/4"-16 |
| 13 | GD16040 | 1 | Tank Mounted Strainer (Included W/ G10200501) |
| 14 | G2501-16-20 | 1 | Elbow, 90°, 1-5/16" Male JIC To 1-1/4" NPT |
| 15 | G10048501 | 1 | See "PTO Cooler and Filter Assembly w/ Mounts" on page P88 |
| 16 | G11385 | 4 | Flat Washer, 1/4" SAE |
| 17 | G10110 | 2 | Lock Nut, 1/4"-20, Grade B |
| 18 | GA10918 | 1 | Flow Control Valve (Vacuum Planters Only) |
| 19 | G6801-12-10 or G6801-06-10 GR1466 | 1 1 - | Elbow W/O-Ring, 90°. 1-1/16"-12 Male JIC To 7/8"-14 O-Ring (Conventional Vacuum/Bulk Fill Mechanical Planters) Elbow, 9/16"-18 x 7/8"-14 W/O-Ring (Bulk Fill Vacuum Planters) O-Ring |
| 20 | G6400-10 GR1466 | 1 - | Adapter, 7/8-14 JIC, 7/8-14 O-Ring O-Ring |
| 21 | G6801-10 or G6801-06-10 GR1466 | 1 1 - | Elbow W/O-Ring, 90°, 7/8"-14 Male JIC To O-Ring (Conventional Vacuum Planters) Elbow, 9/16"-18 x 7/8"-14 W/O-Ring (Bulk Fill Vacuum Planters) O-Ring |
| 22 | G10403 | 2 | Hex Head Cap Screw, 1/4"-20 x 2-1/2" |
| 23 | G10048401 | 1 | Bracket, L.H. |
| 24 | G10048301 | 1 | Bracket, R.H. |
| 25 | G10001 | 2 | Hex Head Cap Screw, 3/8"-16 x 1" |
| 26 | G10018001 G10111 G11389 GD7145 | - 2 2 1 | Universal PTO Pump Storage Mount Lock Nut, 1/2"-13 (Included W/ 658-00932) Flat Washer, 1/2" Plated SAE (Included W/ 658-00932) U-Bolt, 7" x 7" x 1/2"-13 (Included W/ 658-00932) |
| A | G8475X | - | PTO Pump (Universal) W/ PTO Reservoir Tank |

(100508)



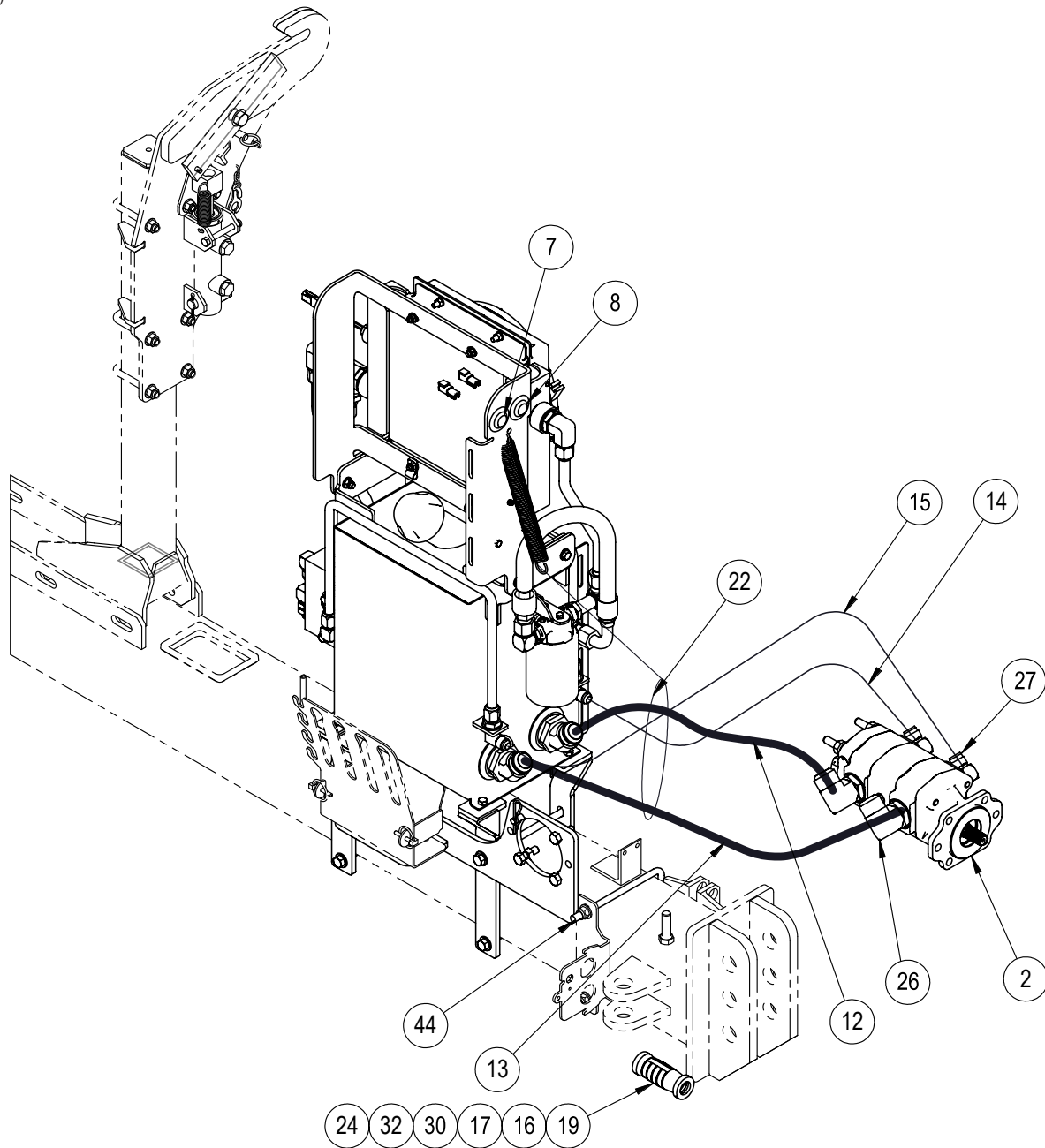
| ITEM | PART NO. | QTY. | DESCRIPTION |
|------|-------------|------|--|
| 1 | G10048501 | 1 | See "PTO Cooler and Filter Assembly w/ Mounts" on page P88 |
| 2 | G10200501 | 1 | Hydraulic Tank, 10 Gal. W/Strainer |
| 3 | GA25606 | 1 | See "PTO Hydraulic Block Assembly, Blue Drive" on page P175 |
| 4 | G10018501 | 2 | Tank Mount |
| 5 | G10048301 | 1 | Bracket, R.H. |
| 6 | G10048401 | 1 | Bracket, L.H. |
| 7 | G16040 | 1 | Tank Mounted Strainer |
| 8 | --- | - | See "Blue Drive Vacuum Planter W/ PTO Hydraulic System" on page P196 |
| 9 | G2501-12-16 | 1 | Elbow, 90°, 1 1/16"-12 Male JIC To 1" NPT |
| 10 | G6500-12 | 1 | Swivel Elbow, 90°, 1 1/16"-12 Male JIC To Female |
| 11 | G2501-16-20 | 1 | Elbow, 90°, 1 5/16" Male JIC To 1 1/4" NPT |
| 12 | G6602-12 | 1 | Swivel Tee, 1-1/16"-12 |
| 13 | G2406-12-08 | 1 | Reducer Tee, 1-1/16"-12 JIC x 3/4"-16 |
| 14 | G10909 | 2 | Hex Head Cap Screw, 1/2"-13 x 9" |
| 15 | G10004 | 2 | Hex Head Cap Screw, 3/8"-16 x 1 1/4" |
| 16 | G10001 | 2 | Hex Head Cap Screw, 3/8"-16 x 1" |
| 17 | G10403 | 2 | Hex Head Cap Screw, 1/4"-20 x 2 1/2" |
| 18 | G11387 | 4 | Hardened Washer, 3/8" SAE |
| 19 | G10228 | 4 | Lock Washer, 1/2" |
| 20 | G11385 | 4 | Flat Washer, 1/4" SAE |
| 21 | G10102 | 2 | Hex Nut, 1/2"-13 |
| 22 | G10108 | 6 | Lock Nut, 3/8"-16 |
| 23 | G10110 | 2 | Lock Nut, 1/4"-20, Grade B |
| 24 | G10300601 | 1 | PTO Tank Holder, L.H. |
| 25 | G10300501 | 1 | PTO Tank Holder, R.H. |
| 26 | G10006 | 4 | Hex Head Cap Screw, 5/8"-11 x 2 1/4" |
| A | G8475X | - | PTO Pump (Universal) W/ PTO Reservoir Tank |

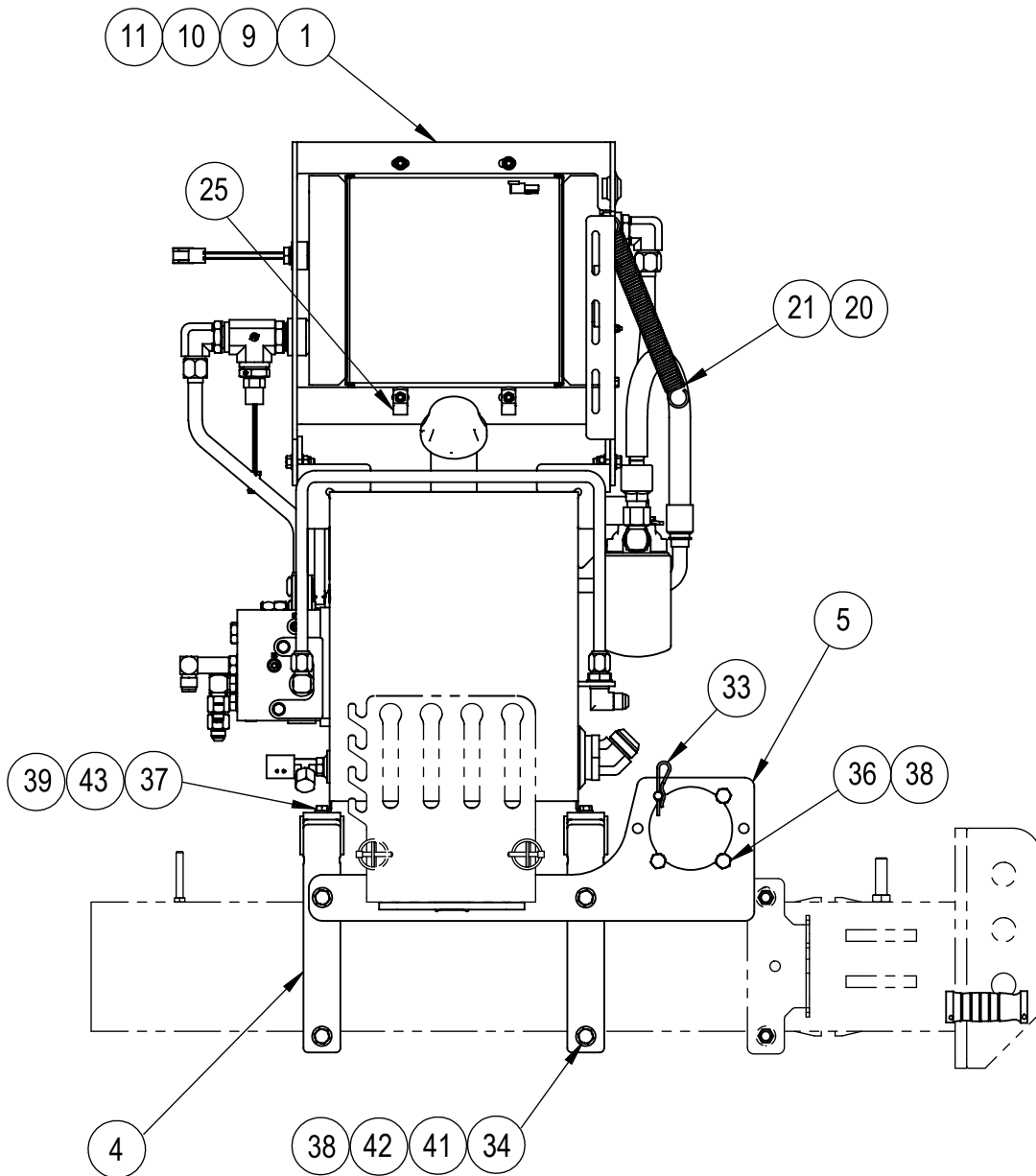
(100485)

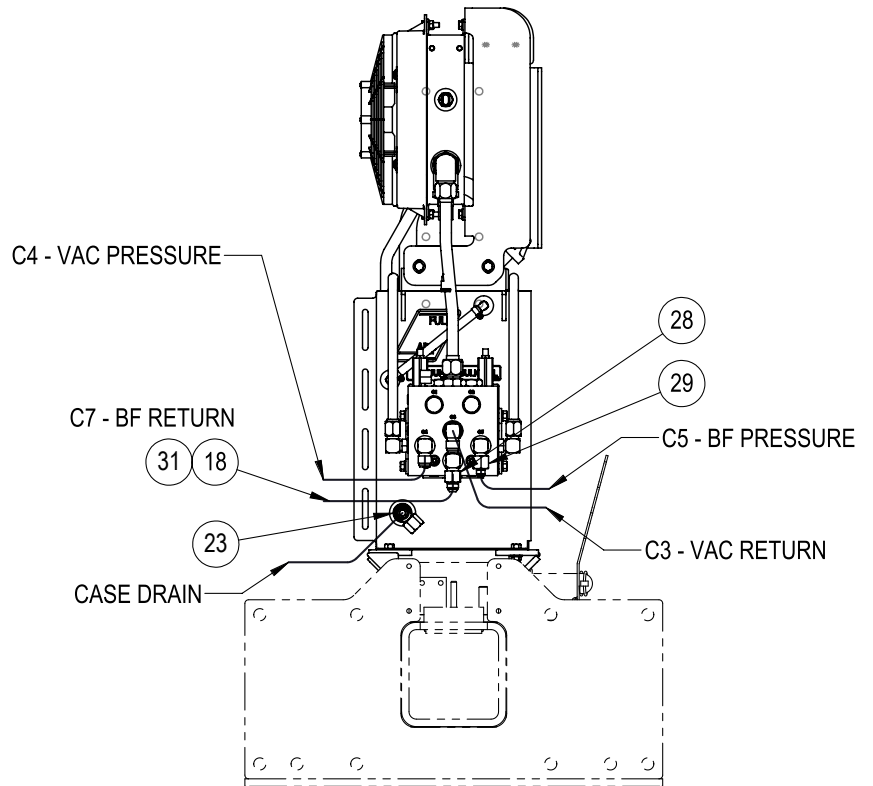
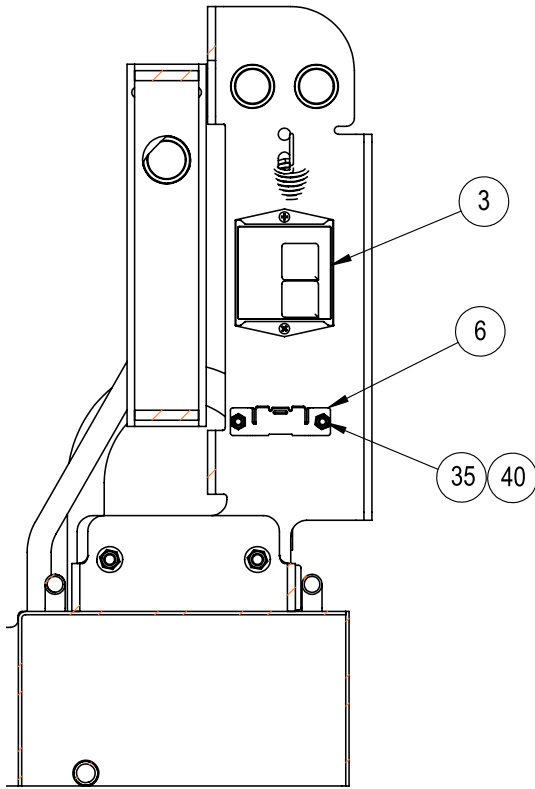


| ITEM | PART NO. | QTY. | DESCRIPTION |
|------|-----------|------|--|
| 1 | G10048201 | 1 | Mounting Bracket |
| 2 | G10047801 | 1 | Fan Mount |
| 3 | GA17113 | 1 | Fan and Cooler |
| 4 | G10087001 | 1 | Tempature Sensor |
| 5 | GA20283 | 1 | PTO Reservoir Fan Wire Harness |
| 6 | GD16038 | 1 | Filter Head |
| 7 | GD16037 | 1 | Oil Filter, 10 Micron |
| 8 | G6804-12 | 1 | Adjustable Tee W/O-Ring, 1 1/16"-12 Male JIC To O-Ring |
| 9 | G6500-12 | 1 | Swivel Elbow, 90°, 1 1/16"-12 Male JIC To Female |
| 10 | G6801-12 | 3 | Elbow W/O-Ring, 90°, 1 1/16"-12 Male JIC To O-Ring |
| 11 | G11385 | 4 | Flat Washer, 1/4" SAE |
| 12 | G10227 | 2 | Lock Washer, 1/4" |
| 13 | G10023 | 10 | Hex Head Cap Screw, 1/4"-20 x 3/4" |
| 14 | G10621 | 8 | Serrated Flange Nut, 1/4"-20 |

(106144)



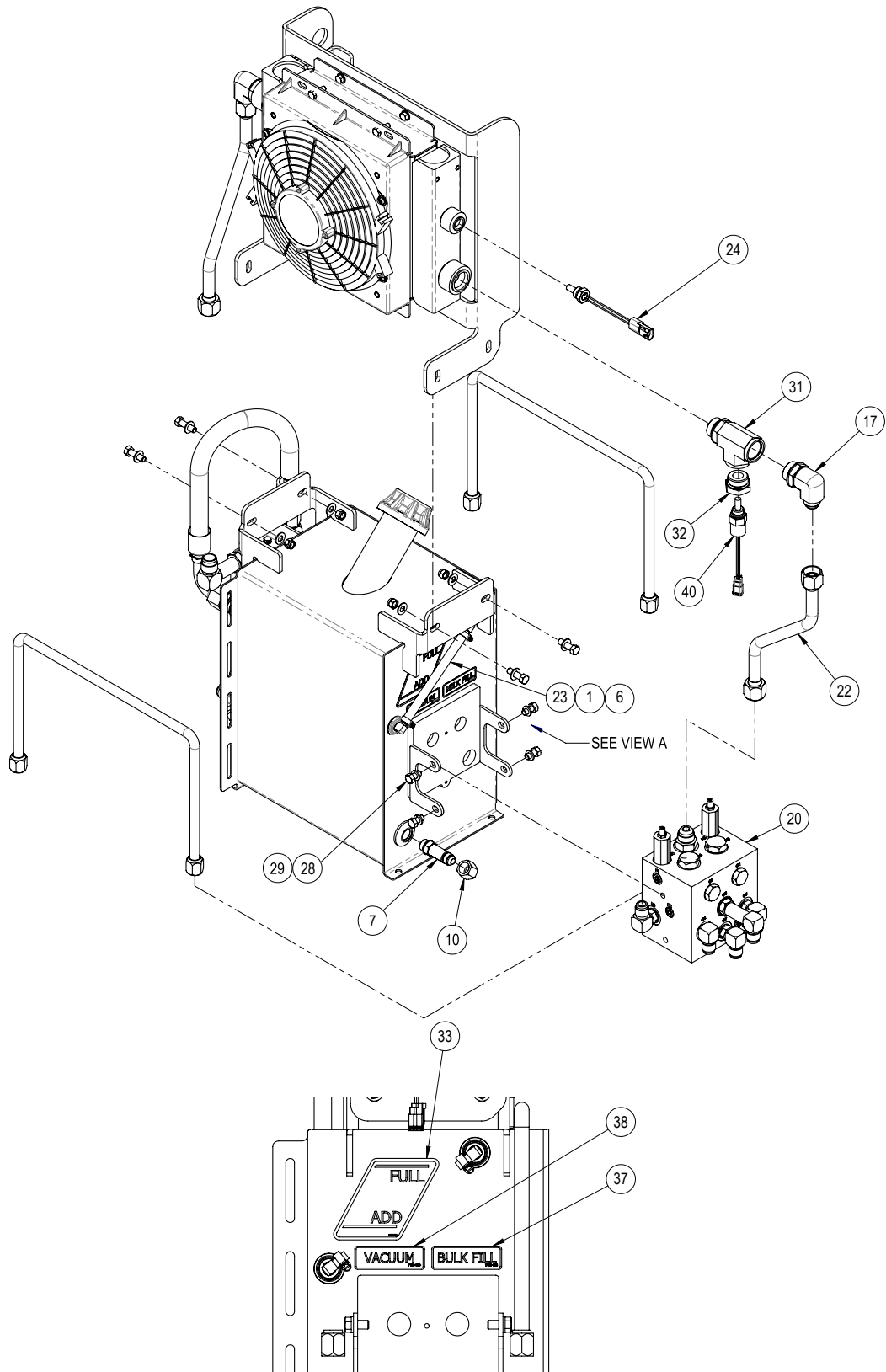




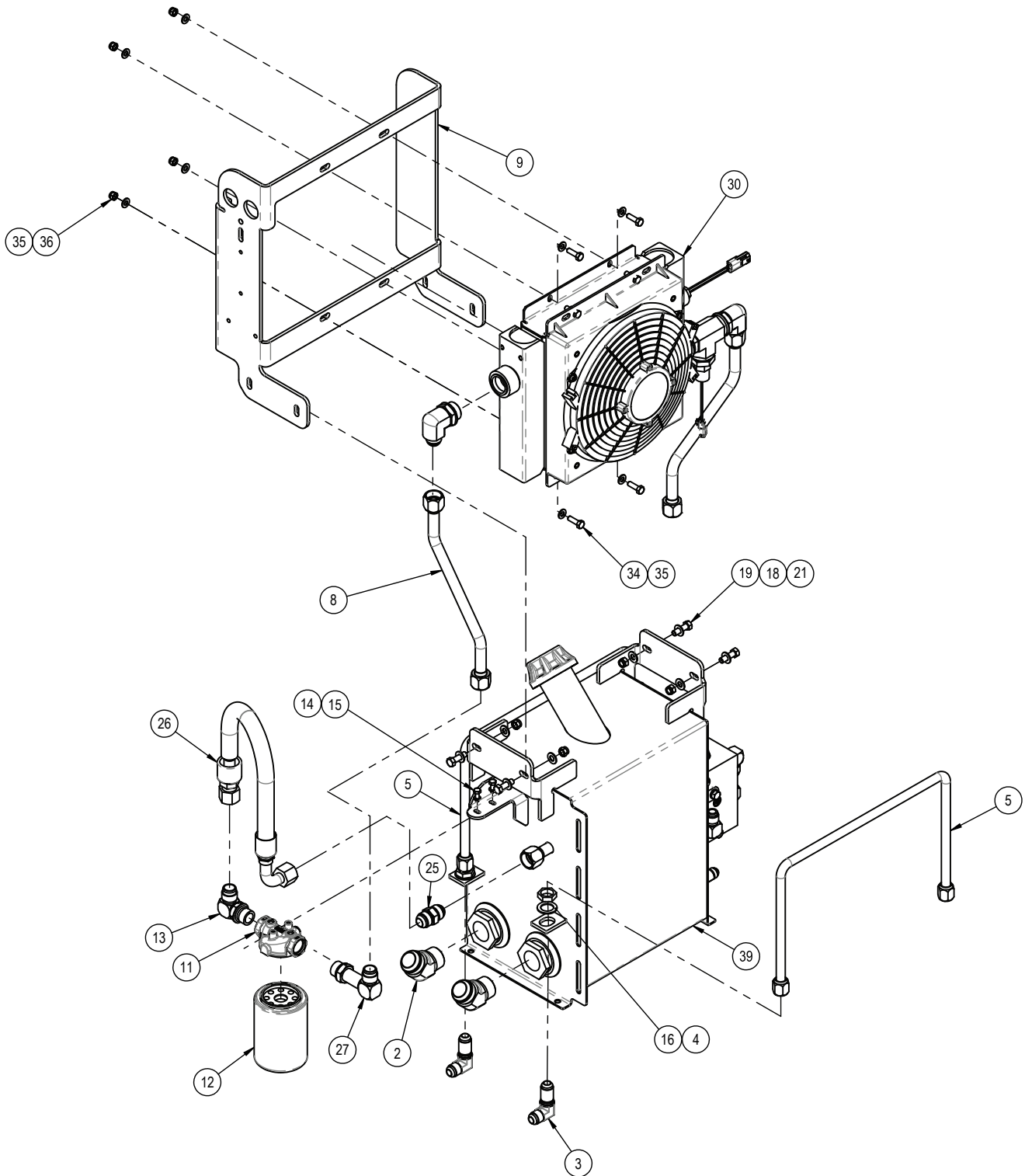
| ITEM | PART NO. | QTY. | DESCRIPTION |
|------|-------------|------|--|
| 1 | G10333701 | 1 | See "PTO Reservoir" on page P93 |
| 2 | G10288701 | 1 | Gear Pump |
| 3 | G10396901 | 1 | Reverser Module |
| 4 | G10018501 | 4 | Tank Mount |
| 5 | G10614501 | 1 | PTO Pump Mount |
| 6 | G10567801 | 1 | Relay Module Mount Bracket |
| 7 | G10098401 | 1 | PTO Red Light Harness |
| 8 | G10098301 | 1 | PTO Green Light Harness |
| 9 | G10049501 | 1 | Tractor Battery Connection Harness and Fuse Kit |
| 10 | G10724901 | 1 | Tractor Power Harness |
| 11 | G10649801 | 1 | PTO Harness |
| 12 | *A11810-68 | 1 | Hose Assembly, 1" x 68" (20F - 20F) |
| 13 | *A11810-72 | 1 | Hose Assembly, 1" x 72" (20F - 20F) |
| 14 | *A25707-68 | 1 | Hose Assembly, 1/2" AR x 68" (10F45 - 12F) |
| 15 | *A25707-72 | 1 | Hose Assembly, 1/2" AR x 72" (10F45 - 12F) |
| 16 | *A15082-77 | 1 | Hose Assembly, 3/8" x 77" (06F - 06M JIC) |
| 17 | *A26938-266 | 1 | Hose Assembly, 3/8" x 266" |
| 18 | *A25704-242 | 1 | Hose Assembly, 1/2" AR x 242" (08F - 08M JIC) |
| 19 | GA26924-11 | 1 | Hose Label Cover, Orange, Retract |
| 20 | GA14152 | 1 | Hose Strap |
| 21 | GD0829 | 1 | Spring |
| 22 | GD19383-03 | 1 | Hose Wrap, 60" |
| 23 | GD10057-19 | 1 | Shrink Tube Label |
| 24 | GD25522 | 1 | Hydraulic Tip Cover |
| 25 | GD6291 | 2 | Insulated Clamp, 3/8" |
| 26 | G6801-20 | 2 | Elbow W/O-Ring, 90°, 1 5/8"-12 Male JIC To O-Ring |
| 27 | G6801-12 | 2 | Elbow W/O-Ring, 90°, 1 1/16"-12 Male JIC To O-Ring |
| 28 | G2406-10-08 | 1 | Tube Reducer |
| 29 | G2406-10-06 | 1 | Tube Reducer |
| 30 | G2403-06 | 1 | Union |
| 31 | G304-C-8 | 1 | Cap Nut, 3/4"-16 |
| 32 | G304-C-06 | 1 | Cap Nut, 9/16"-18 |
| 33 | G10592 | 1 | Hair Pin Clip, No. 11 |
| 34 | G10909 | 4 | Hex Head Cap Screw, 1/2"-13 x 9" |
| 35 | G10023 | 2 | Hex Head Cap Screw, 1/4"-20 x 3/4" |
| 36 | G10017 | 3 | Hex Head Cap Screw, 1/2"-13 x 1 1/2" |
| 37 | G10001 | 4 | Hex Head Cap Screw, 3/8"-16 x 1" |
| 38 | G10102 | 7 | Hex Nut, 1/2"-13 |
| 39 | G10108 | 4 | Lock Nut, 3/8" -16 |
| 40 | G10110 | 2 | Lock Nut, 1/4"-20, Grade B |
| 41 | G11389 | 4 | Flat Washer, 1/2" SAE |
| 42 | G10228 | 4 | Lock Washer, 1/2" |
| 43 | G11387 | 4 | Hardened Washer, 3/8" SAE |
| 44 | GD7145 | 1 | U-Bolt, 7" x 7" x 1/2"-13 |

***Hydraulic hose is not stocked by Kinze Repair Parts.**

(103337)



VIEW A

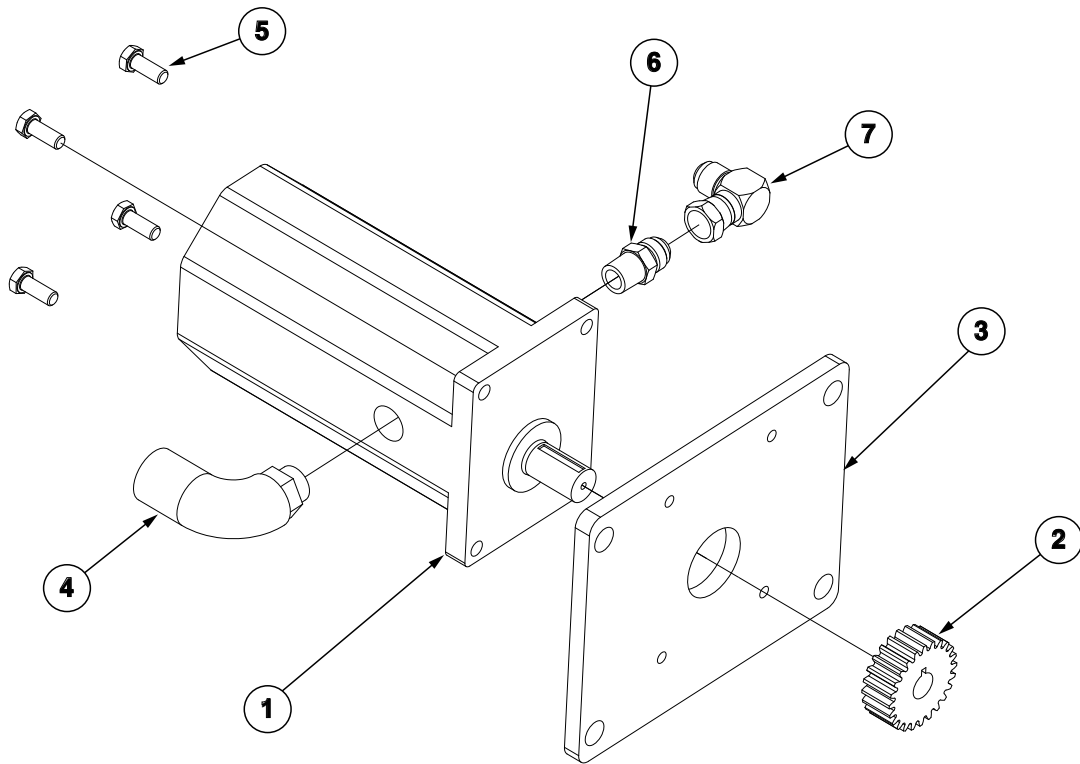


| ITEM | PART NO. | QTY. | DESCRIPTION |
|------|----------------|------|--|
| 1 | G10331001 | 2 | Hose Clamp #4, 5/8"-1/4" x 5/16" |
| 2 | G2503-20 | 2 | Elbow, 45°, 1-5/8"-12 Male JIC x 1-1/4" Male NPT |
| 3 | G2701-10 | 2 | Elbow, 90°, 7/8"-14 Male JIC |
| 4 | G306-10 | 2 | Lock Nut, 7/8"-14 |
| 5 | G10333501 | 2 | Steel Hydraulic Line, 5/8" |
| 6 | GD35381 | 2 | 3/8" O.D. Brass Barbed x 1/4" NPT 90° Elbow |
| 7 | G6804-08 | 1 | Adjustable Tee, 3/4"-16 Male JIC To O-Ring |
| 8 | G10399801 | 1 | Steel Hydraulic Line, 3/4" |
| 9 | G10333601 | 1 | Cooler Mount Bracket |
| 10 | G304-C-8 | 1 | Cap Nut, 3/4"-16 |
| 11 | GD16038 | 1 | Filter Head |
| 12 | GD16037 | 1 | Oil Filter, 10 Micron |
| 13 | G6801-12 | 1 | Elbow W/O-Ring, 90°, 1 1/16"-12 Male JIC To O-Ring |
| 14 | G10227 | 2 | Lock Washer, 1/4" |
| 15 | G10023 | 2 | Hex Head Cap Screw, 1/4"-20 x 3/4" |
| 16 | G10235 | 2 | Machine Bushing, 7/8", 14 Gauge |
| 17 | G6801-12-16 | 2 | Adjustable Elbow, 90°, 1-5/16"-12 O-Ring |
| 18 | G11387 | 8 | Flat Washer, 3/8" SAE |
| 19 | G10004 | 4 | Hex Head Cap Screw, 3/8"-16 x 1 1/4" |
| 20 | G10186901 | 1 | Manifold Block |
| 21 | G10108 | 4 | Lock Nut, 3/8"-16 |
| 22 | G10399901 | 1 | Steel Hydraulic Line, 3/4" |
| 23 | GD6279-07 | 1 | Clear Plastic Tubing, 3/8" x 7-1/4" |
| 24 | G10087001 | 1 | Temperature Sensor, 100° |
| 25 | G2403-12 | 1 | Union, 1 1/16"-12 Male JIC |
| 26 | A12937-24 | 1 | Hose Assembly, 3/4" x 24" (12F - 12F90S) |
| 27 | G6801-LL-12 | 1 | Adjustable Elbow, 1-1/16"-12 x 1-1/16"-12 O-Ring |
| 28 | G10002 | 4 | Hex Head Cap Screw, 3/8"-16 x 3/4" |
| 29 | G10229 | 4 | Lock Washer, 3/8" |
| 30 | G10339301 | 1 | Oil Cooler and Fan |
| 31 | G6835-16-16-16 | 1 | Tee, 1-5/16" O-Ring |
| 32 | G6410-16-08 | 1 | Adapter, 1-5/16"-12 O-Ring x 3/4"-16 |
| 33 | G10080601 | 1 | Tank Level Decal |
| 34 | G10019 | 4 | Hex Head Cap Screw, 5/16"-18 x 1" |
| 35 | G11386 | 8 | Flat Washer, 5/16" SAE |
| 36 | G10109 | 4 | Lock Nut, 5/16"-18, Grade 8 |
| 37 | G7100-508 | 1 | Bulk Fill Decal |
| 38 | G7100-509 | 1 | Vacuum Decal |
| 39 | G10333801 | 1 | PTO Reservoir |
| 40 | G10098201 | 1 | Temperature Sensor, 200° |

* Hydraulic hose is not stocked by Kinze Repair Parts.

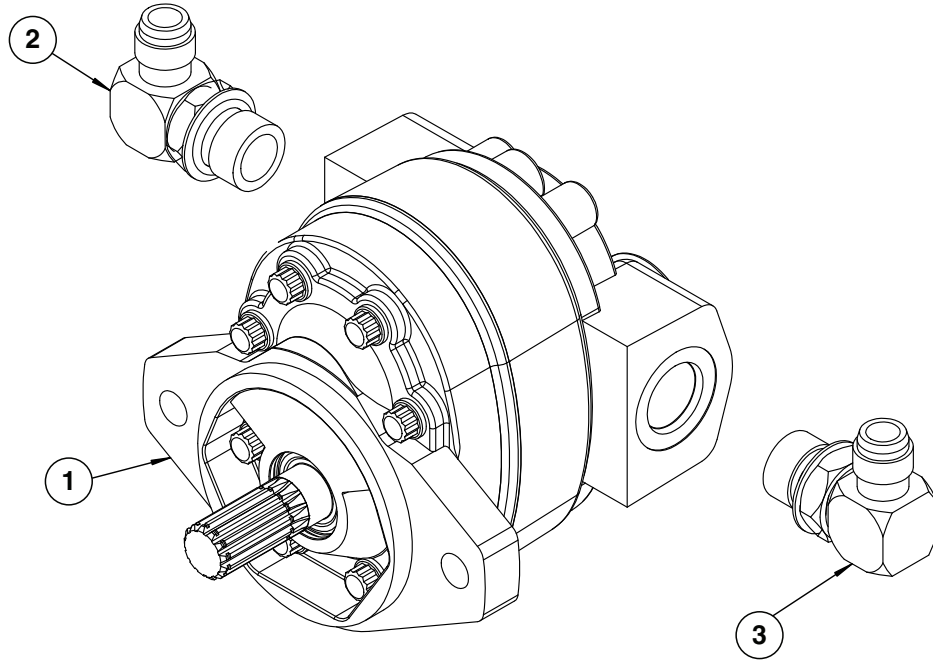
This page left blank intentionally.

(A22223)



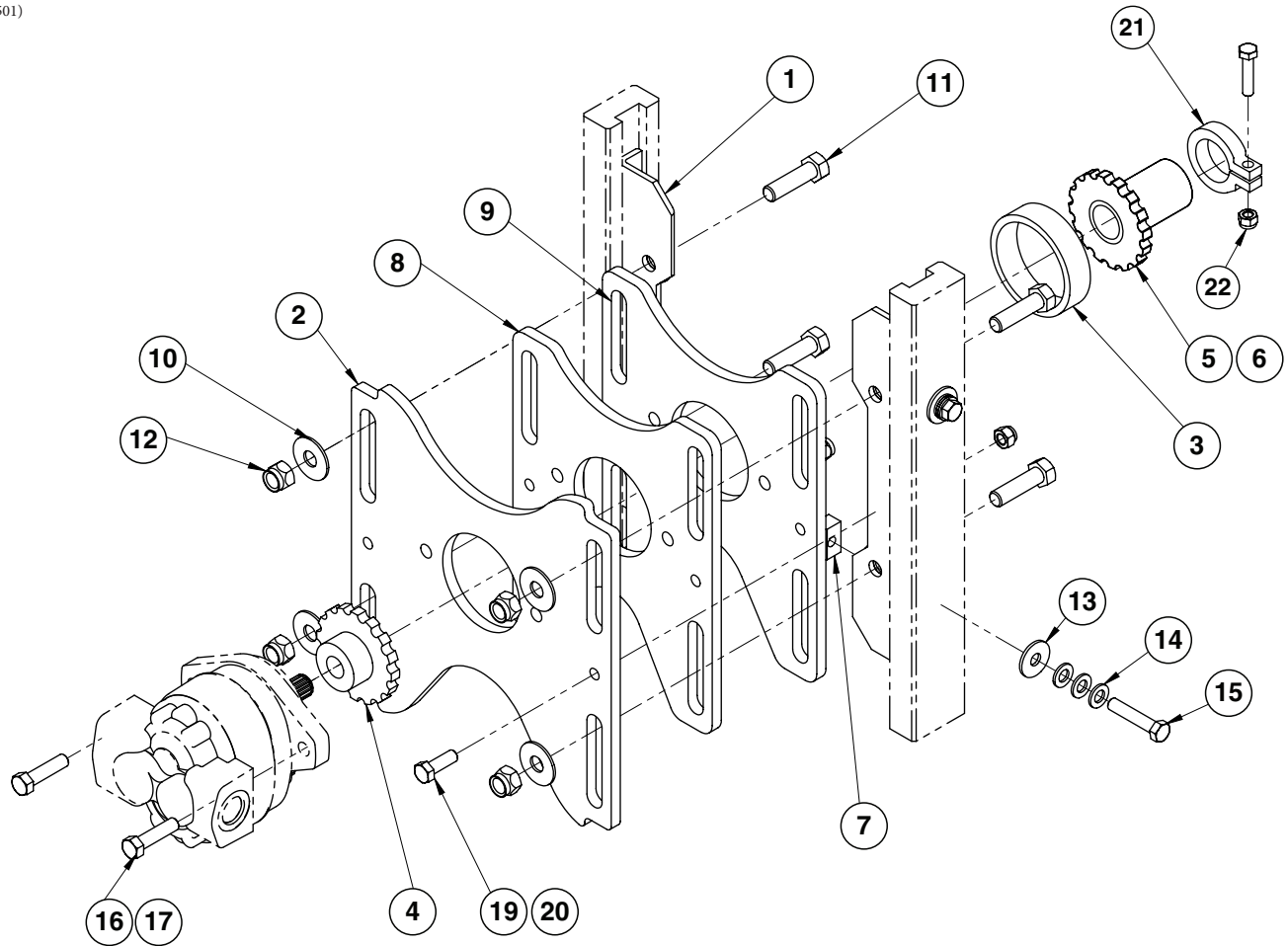
| ITEM | PART NO. | QTY. | DESCRIPTION |
|------|-------------|------|---|
| 1 | GA21190 | 1 | PTO Gear Pump, 56 CM3/REV |
| 2 | GD31435 | 1 | PTO Gear Adapter |
| 3 | GD31436 | 1 | PTO Mount Plate |
| 4 | GD31438 | 1 | 90° Elbow, 1" BSP x 1½" |
| 5 | G12000-25 | 4 | Hex Head Cap Screw, M10-1,5 x 25 |
| 6 | G3800-10-12 | 1 | Adapter, 3/4-14 BSP x 7/8-14 JIC |
| 7 | G6500-10 | 1 | Swivel Elbow, 90°, 7/8"-14 Male JIC To Female |

(19010-021-01000)

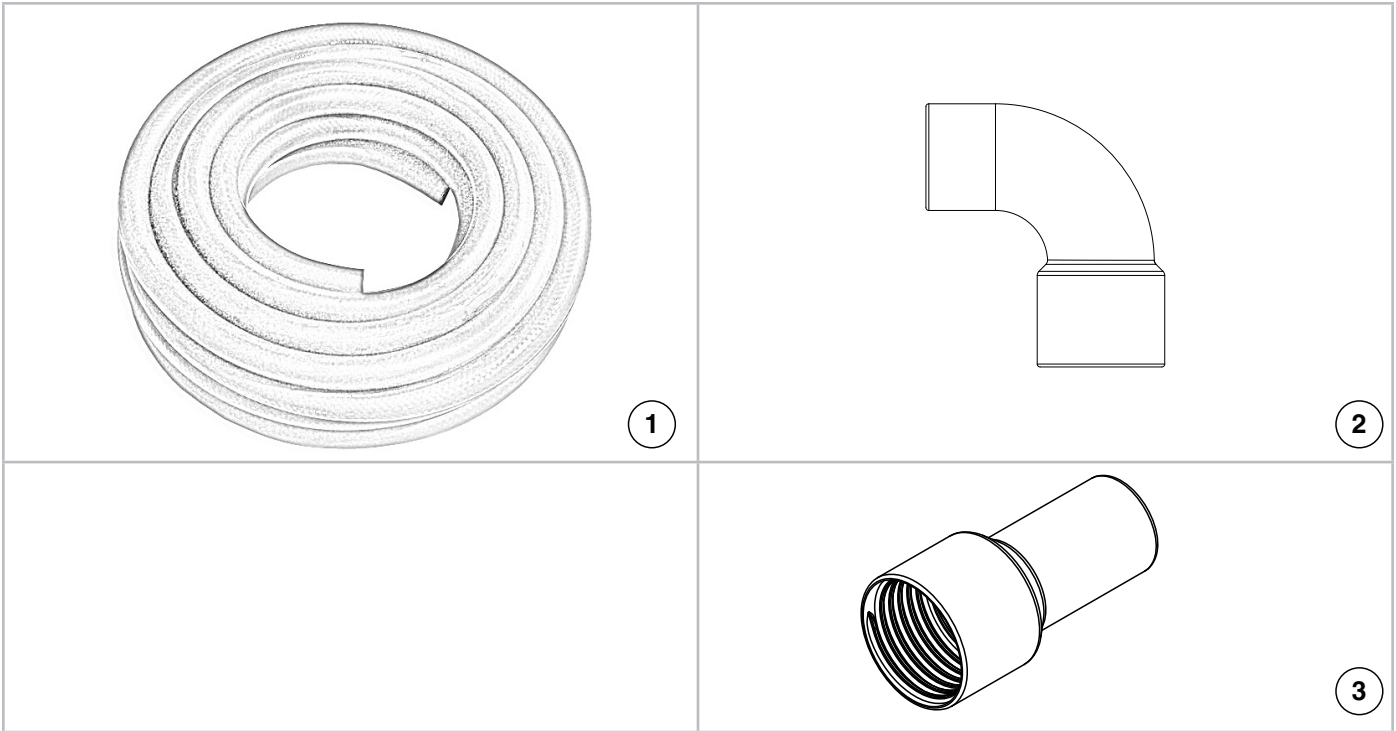


| ITEM | PART NO. | QTY. | DESCRIPTION |
|------|-------------|------|--|
| 1 | GA14446 | 1 | PTO Pump |
| 2 | G6801-10-12 | 1 | Elbow W/O-Ring, 90°, 7/8"-14 Male JIC To 1 1/16"-12 O-Ring |
| 3 | G6801-16-20 | 1 | Elbow W/O-Ring, 90°, 1-5/16"-12 Male JIC To 1-5/8"-12 O-Ring |

(10987501)

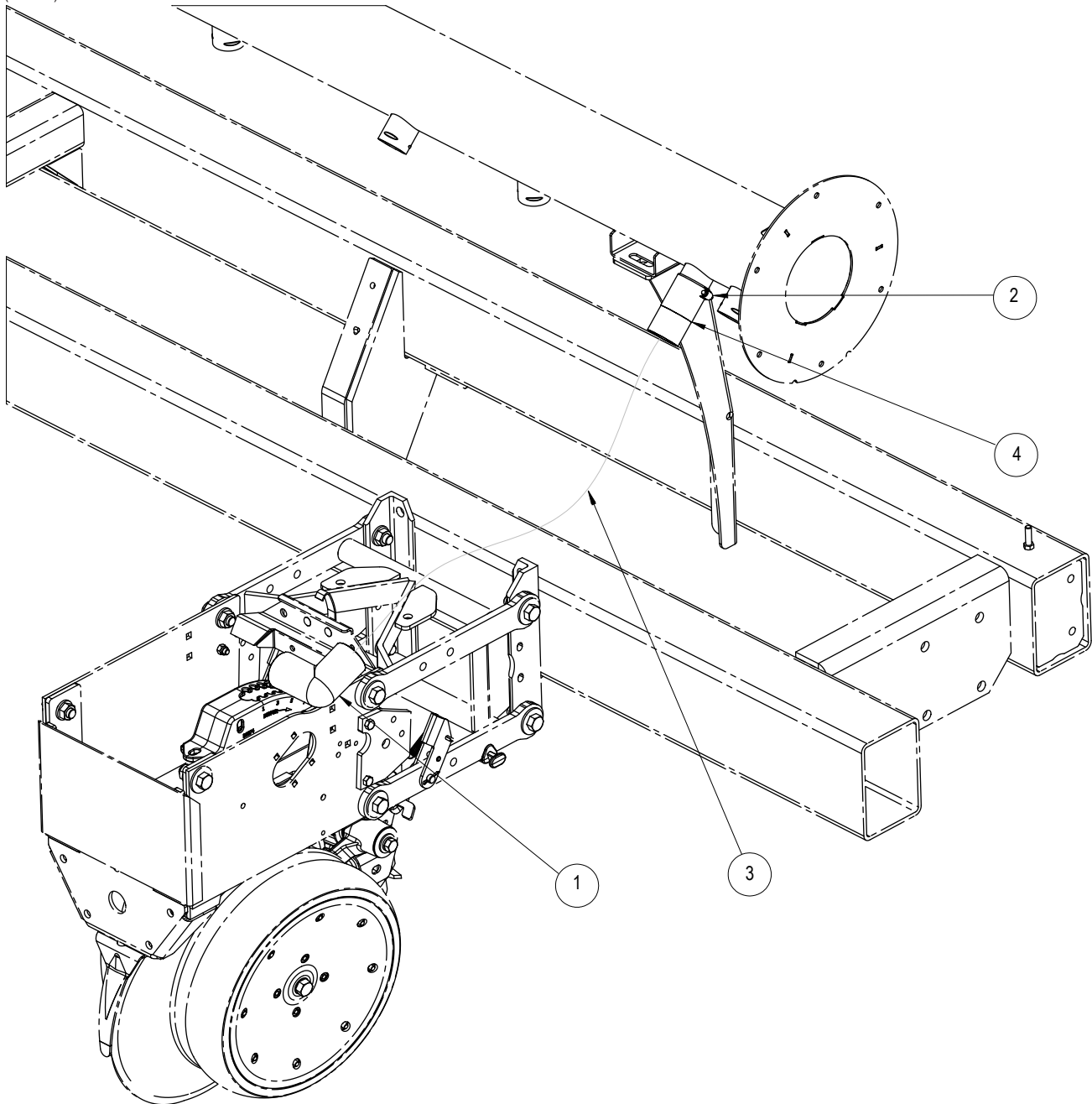


| ITEM | PART NO. | QTY. | DESCRIPTION |
|------|-----------|------|---|
| 1 | G10985501 | 2 | Rail Mount |
| 2 | G10985301 | 1 | Pump Mount Plate, 39 cm |
| 3 | G10984801 | 1 | Chain with Link |
| 4 | G10984701 | 1 | Sprocket, 16 Tooth |
| 5 | G10985001 | 1 | Long Sprocket, 16 Tooth, 1-3/4" x 20 Spline |
| 6 | G10984901 | 1 | Long Sprocket, 16 Tooth, 1-3/8" x 21 Spline |
| 7 | G10985401 | 4 | Rail Mount Nut |
| 8 | G10985101 | 1 | Pump Mount Plate, 31 cm |
| 9 | G10985201 | 1 | Pump Moun Plate, 33 cm |
| 10 | G10217 | 8 | Washer, 5/8" USS |
| 11 | G10006 | 4 | Hex Head Cap Screw, 5/8"-11 x 2 1/4" |
| 12 | G10107 | 4 | Lock Nut, 5/8"-11 |
| 13 | G10984201 | 4 | Flat Washer, DIN 9021 |
| 14 | G12039 | 12 | Flat Washer, M12 |
| 15 | G12002-60 | 4 | Hex Head Cap Screw, M12-1,75 x 60 |
| 16 | G10016 | 2 | Hex Head Cap Screw, 1/2"-13 x 2" |
| 17 | G10111 | 2 | Lock Nut, 1/2"-13 |
| 18 | G10984101 | 1 | LM 47 Long-Life Grease |
| 19 | G12015 | 2 | Hex Lock Nut, M12-1,75 |
| 20 | G12002-35 | 2 | Hex Head Cap Screw, M12-1,75 x 35 |
| 21 | G11114501 | 1 | Collar, 1-3/8" (used with G10984901) |
| | G11114601 | 1 | Collar, 1-3/4" (used with G10985001) |
| 22 | G12000-40 | 1 | Hex Head Cap Screw, M10-1,5 x 40 |
| | G12164 | 1 | Hex Lock Nut, M10-1.5 |



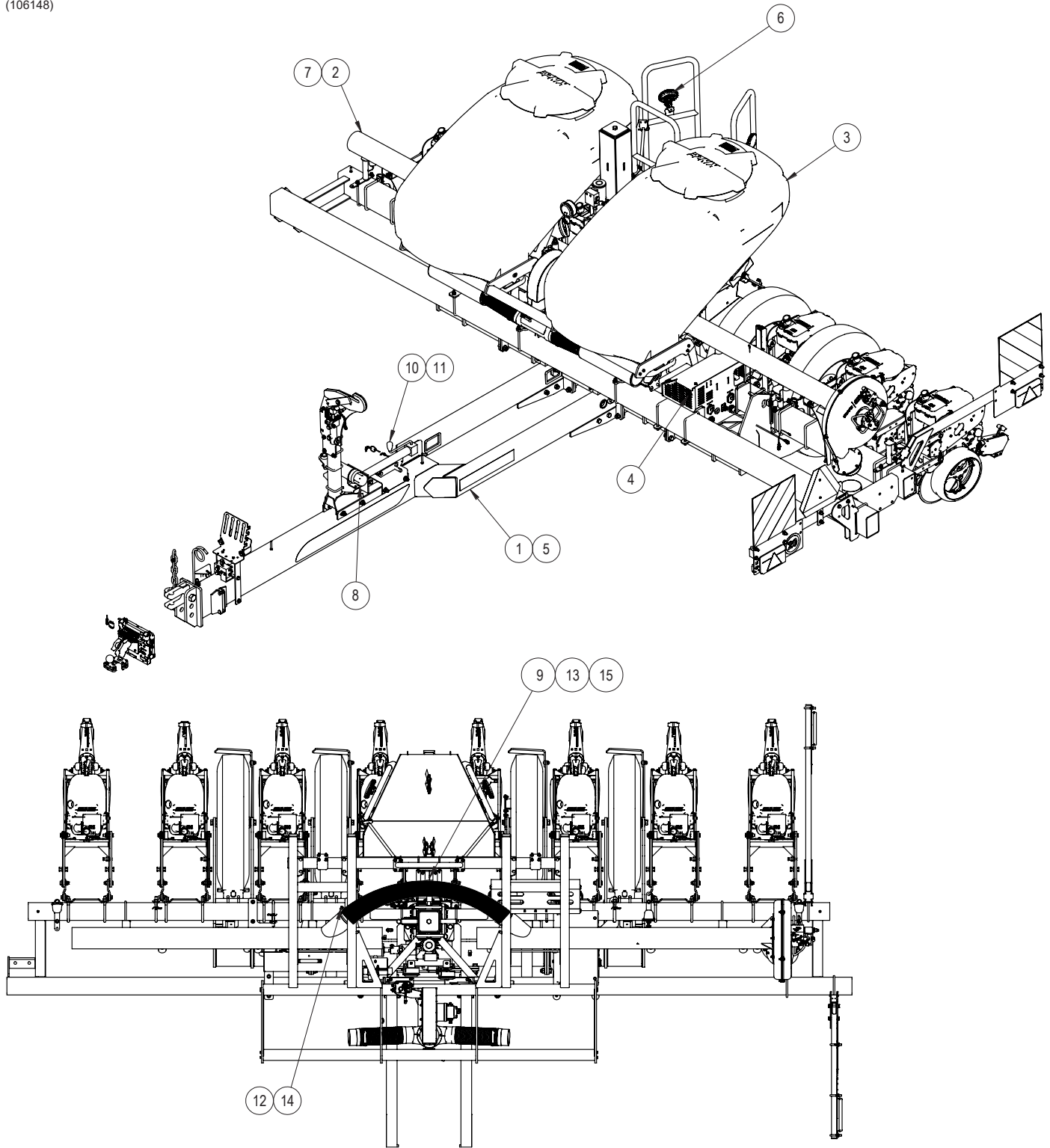
| ITEM | PART NO. | QTY. | DESCRIPTION |
|------|------------|------|-------------------------------------|
| 1 | GD15792-13 | - | Vacuum Hose, 2" x 50' |
| 2 | GD14626 | - | 90° Elbow, 2" Hose |
| 3 | GB0827 | - | Reducer, 2" to 1-3/4" |
| 4 | G10676 | - | Hose Clamp, No. 36, Stainless Steel |

(106161)



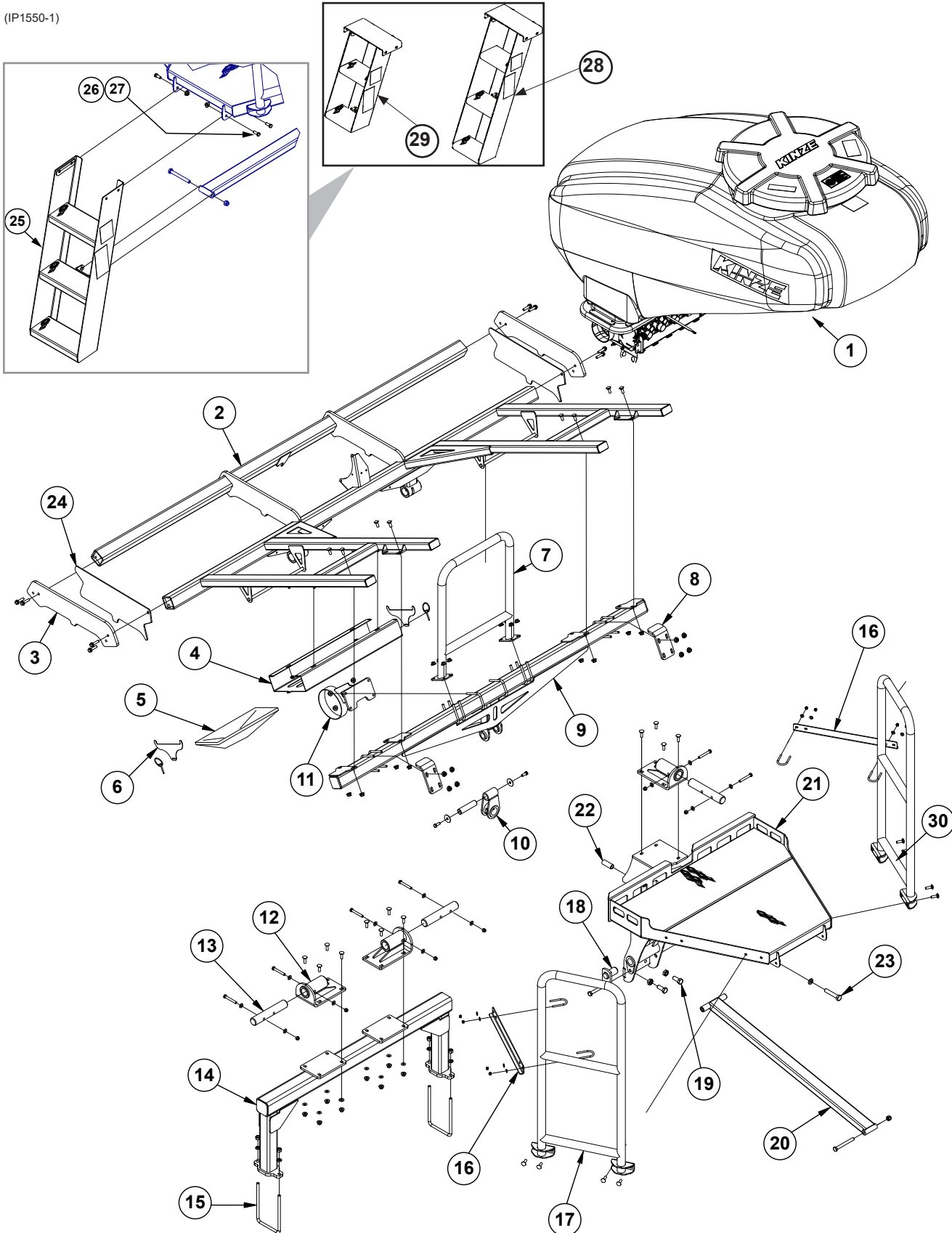
| ITEM | PART NO. | QTY. | DESCRIPTION |
|------|------------------|--------|--|
| 1 | GB1313 GB1249 | - - | Elbow, 90°, 1.5" Vacuum Hose End (True Speed) |
| 2 | G10676 | - | Hose Clamp, No. 36, Stainless Steel |
| 3 | GD36495-40 | - | Vacuum Hose, 1-1/2" I.D. x 40" |
| 4 | GD31424 | - | Screw Cuff, 2" |

(106148)



| ITEM | PART NO. | QTY. | DESCRIPTION |
|------|------------|------|--|
| 1 | G10615901 | - | Y-Hitch Base Frame |
| | G10615902 | - | T-Hitch Base Frame |
| 2 | GA27169 | 1 | Blue Drive Blue Vantage Vacuum System Assembly |
| 3 | GA27170 | 1 | Blue Drive Blue Vantage Bulk Fill Assembly |
| 4 | G10614901 | 1 | True Speed Control Package |
| 5 | GA27176 | 1 | Hydraulic Hoses Assembly |
| 6 | G10047601 | 1 | Work Lights |
| 7 | G10616002 | 1 | Vacuum Hose Bundle |
| 8 | GA25890 | 1 | Operator's Manual Canister |
| 9 | GA24381 | 1 | Bracket Weld |
| 10 | G11044501 | 1 | Jack Assembly Complete |
| 11 | GA4995 | 1 | Detent Pin Assembly |
| 12 | GD15867-13 | 1 | Reinforced Hose, 5" x 64" |
| 13 | GD19212 | 2 | U-Bolt, 2 1/2" x 3/8"-16 |
| 14 | G11188 | 2 | T-Bolt Clamp, 5 1/4" |
| 15 | G11091 | 4 | Serrated Flange Nut, 3/8"-16 |

(IP1550-1)



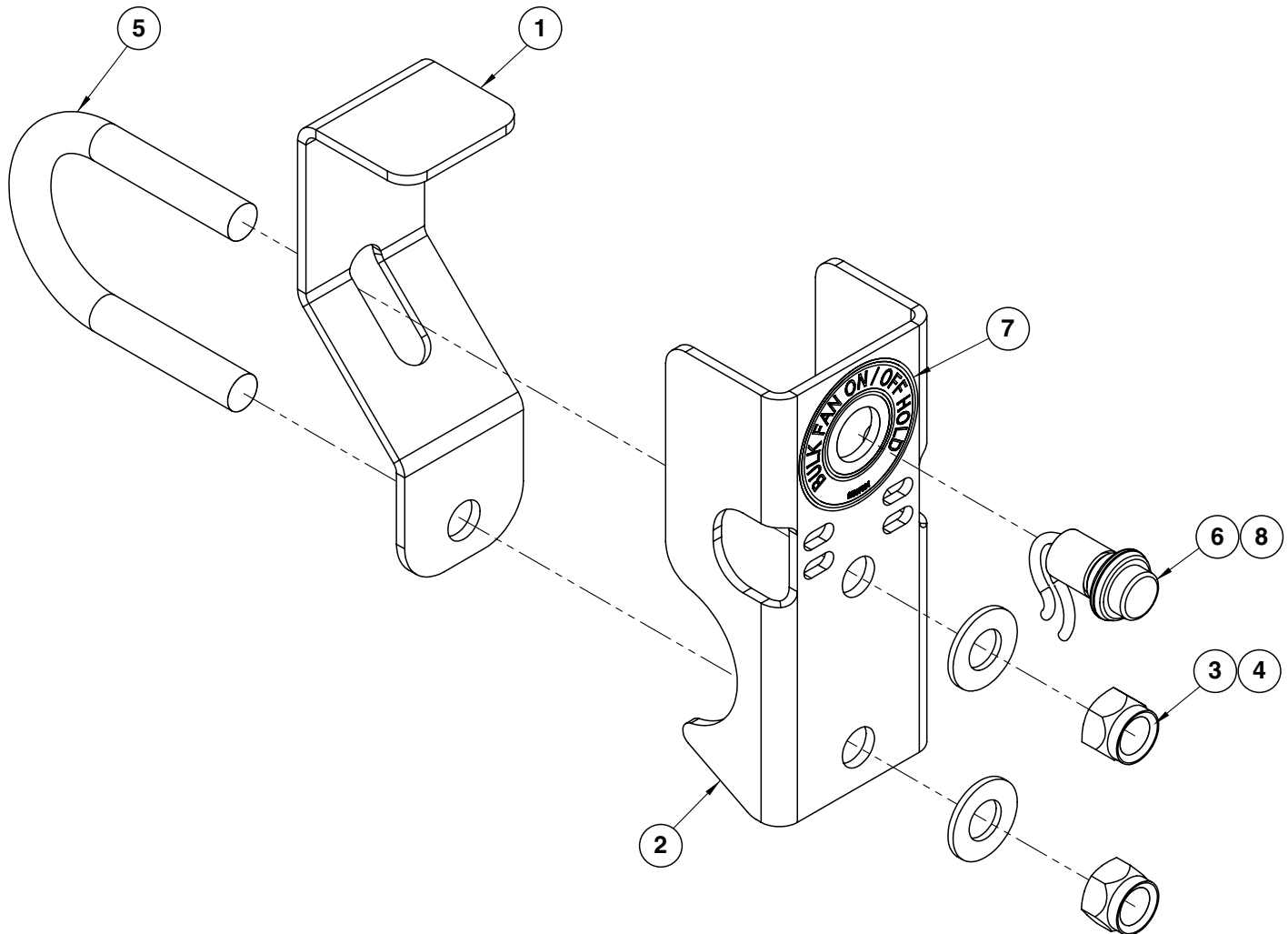
Bulk Fill Fan Mounts and Catwalk

M0311-02

Model 3505

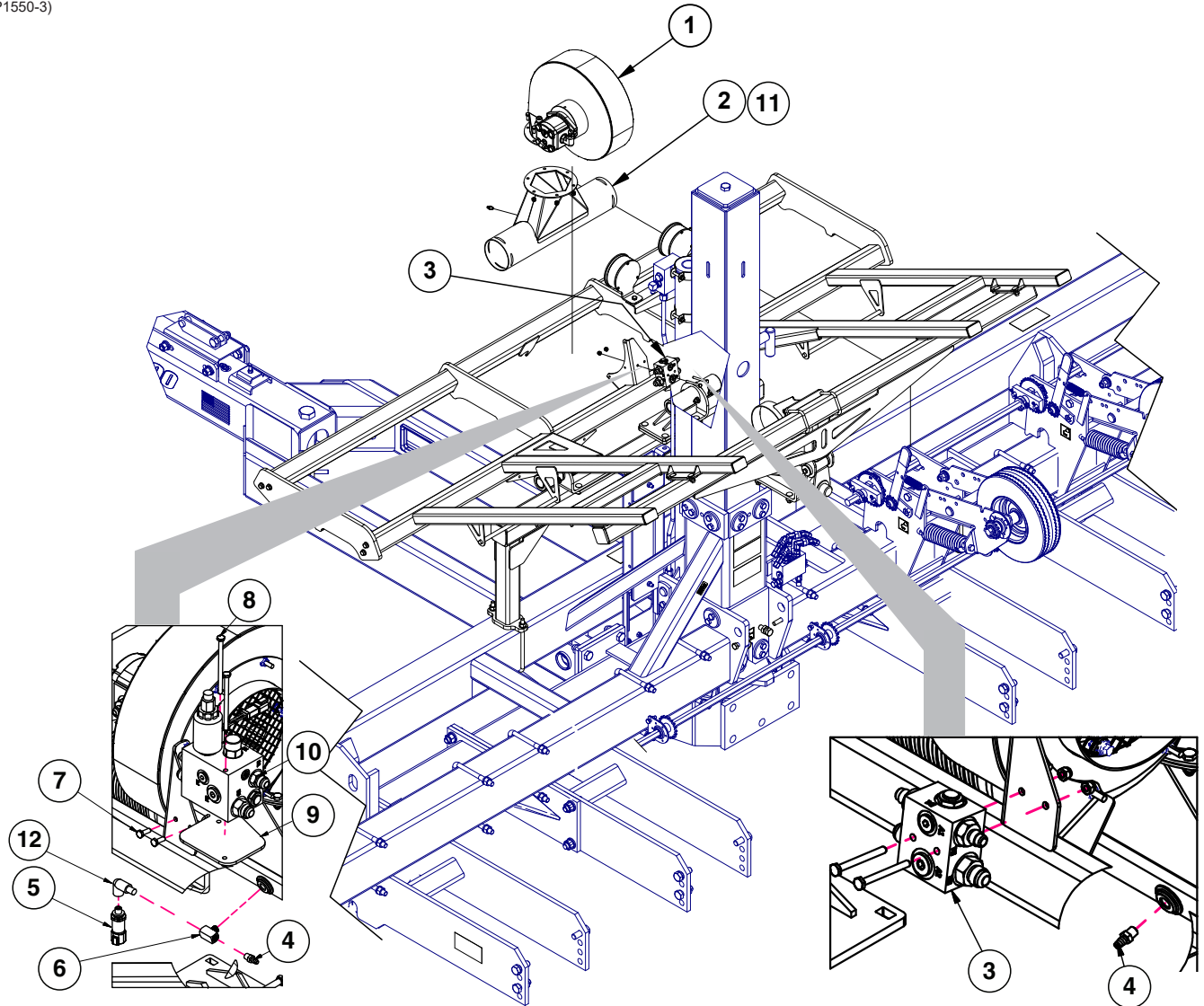
| ITEM | PART NO. | QTY. | DESCRIPTION |
|------|-----------|------|--|
| 1 | --- | 1 | See "Bulk Fill Tank Assembly" on page P118 |
| 2 | GA24365 | 1 | Bulk Tank Support |
| | G10305 | 8 | Carriage Bolt, 3/8"-16 x 1" |
| | G11091 | 8 | Serrated Flange Nut, 3/8"-16 |
| 3 | GD33953 | 2 | Side Mount Plate |
| | G11408 | 8 | Hex Serrated Flange Cap Screw, 3/8"-16 x 1 1/2" |
| 4 | GD34701 | 1 | Clean Out Chute Tray |
| | G10620 | 4 | Serrated Flange Nut, 5/16"-18 |
| 5 | GA14822 | 1 | Center Cleanout Chute |
| 6 | GD34702 | 2 | Chute Tray End Plate |
| | GD5625 | 2 | Lynch Pin, 3/16" |
| 7 | GA24377 | 1 | Handrail |
| | GD19212 | 4 | U-Bolt, 2 1/2" x 3/8"-16 |
| | G11091 | 8 | Serrated Flange Nut, 3/8"-16 |
| 8 | GD34071 | 2 | Mount Plate |
| | GD19212 | 4 | U-Bolt, 2 1/2" x 3/8"-16 |
| | G11091 | 8 | Serrated Flange Nut, 3/8"-16 |
| 9 | GA24366 | 1 | Tank Support |
| 10 | GA17034 | 1 | Rear Tank Mount |
| | GD33958 | 1 | Threaded Rod |
| | G10001 | 2 | Hex Head Cap Screw, 3/8"-16 x 1" |
| | G10201 | 2 | Special Washer, 3/8" x 1 1/2" O.D. |
| 11 | GA24381 | 1 | Bracket |
| | GD19212 | 2 | U-Bolt, 2 1/2" x 3/8"-16 |
| | G11091 | 4 | Serrated Flange Nut, 3/8"-16 |
| 12 | GA14041 | 3 | Bulk Fill Tank Mount |
| | G10003 | 12 | Hex Head Cap Screw, 3/8"-16 x 1 1/2" |
| | G11387 | 12 | Hardened Washer, 3/8" SAE |
| | G11091 | 12 | Serrated Flange Nut, 3/8"-16 |
| 13 | GD33595 | 3 | Pin, 1 1/2" x 8.313" |
| | G10325 | 6 | Hex Head Cap Screw, 3/8"-16 x 2 3/4" |
| | G11387 | 12 | Hardened Washer, 3/8" SAE |
| | G10108 | 6 | Lock Nut, 3/8"-16 |
| | G10062 | 6 | Hex Head Cap Screw, 3/8"-16 x 3" |
| 14 | GA25733 | 1 | Front Bulk Fill Mount Support |
| 15 | GD8306 | 2 | U-Bolt, 7" x 5" x 1/2"-13 |
| | G10228 | 4 | Lock Washer, 1/2" |
| | G10102 | 4 | Hex Nut, 1/2"-13 |
| 16 | GD35037 | 2 | Support Plate |
| | GD26274 | 4 | U-Bolt, 1 1/2" x 1/4"-20 |
| | G11385 | 8 | Flat Washer, 1/4" SAE |
| | G10110 | 8 | Lock Nut, 1/4"-20, Grade B |
| 17 | GA24374 | 2 | Handrail |
| | G10001 | 8 | Hex Head Cap Screw, 3/8"-16 x 1" |
| | G11091 | 8 | Serrated Flange Nut, 3/8"-16 |
| 18 | GA5121 | 2 | Pin, 2 1/8" |
| | G10053 | 2 | Hex Head Cap Screw, 1/2"-13 x 2 1/2" |
| 19 | G10007 | 2 | Hex Head Cap Screw, 5/8"-11 x 1 1/2" |
| | G10503 | 2 | Hex Jam Nut, 5/8"-11, Grade 2 |
| 20 | GA24376 | 1 | Tube W/Sleeves |
| | G10045 | 1 | Hex Head Cap Screw, 1/2"-13 x 4 1/2" |
| | G10111 | 1 | Lock Nut, 1/2"-13 |
| 21 | G10610401 | 1 | Catwalk Platform |
| 22 | GD3180-28 | 1 | Sleeve, 5/8" I.D. x 7/8" O.D. x 2 1/4" Long |
| 23 | G10862 | 1 | Hex Head Cap Screw, 5/8"-11 x 3 1/4" |
| | G10230 | 1 | Lock Washer, 5/8" |
| 24 | GD35126 | 2 | Shim, 10 Gauge (.1345") |
| 25 | GA24758 | 1 | Ladder Without Granular Chemicals and Trailer Hitch |
| 26 | G10001 | 4 | Hex Head Cap Screw, 3/8"-16 x 1" |
| 27 | G11091 | 4 | Serrated Flange Nut, 3/8"-16 |
| 28 | GA26267 | - | Ladder With Granular Chemicals and Without Trailer Hitch |
| 29 | GA26272 | - | Ladder with Trailer Hitch |
| 30 | G10967401 | 1 | See "Bulk Fill Fan Switch" on page P106 |

(10967401)

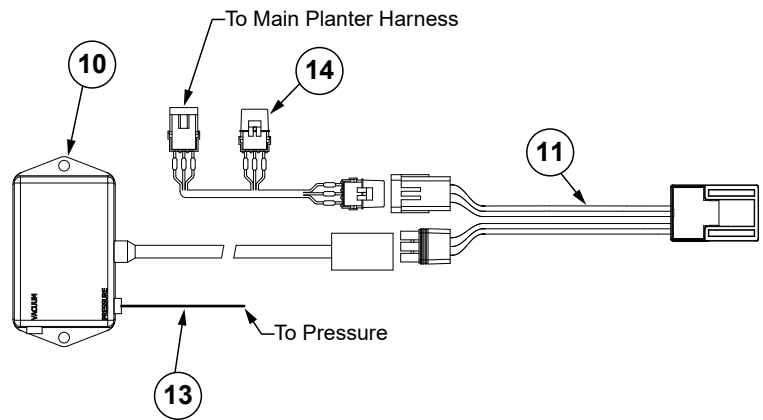
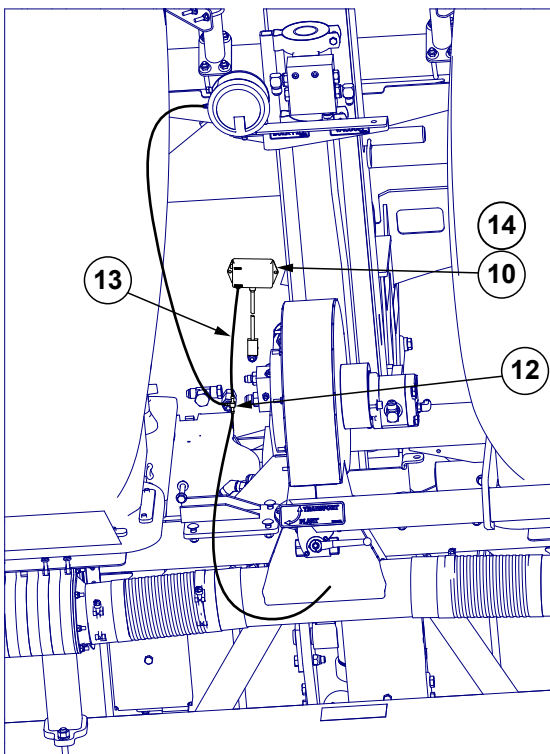
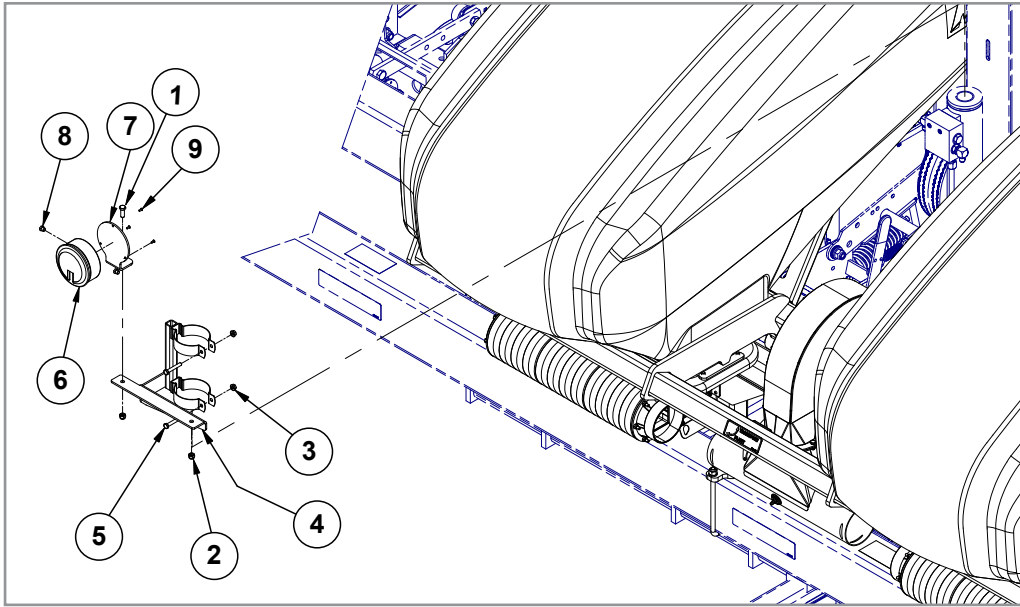


| ITEM | PART NO. | QTY. | DESCRIPTION |
|------|-----------|------|-------------------------------------|
| 1 | G10967101 | 1 | Fan Switch Bracket |
| 2 | G10967201 | 1 | Fan Switch Mount |
| 3 | G10108 | 2 | Lock Nut, 3/8"-16 |
| 4 | G11387 | 2 | Hardened Washer, 3/8" SAE |
| 5 | GD27190 | 1 | U-Bolt, 1-1/2" x 3/8"-16 |
| 6 | GA15485 | 1 | Switch |
| 7 | G10967301 | 1 | Fan Switch Decal |
| 8 | G10963101 | 1 | Bulk Fill Shutoff Intercept Harness |

(IP1550-3)



| ITEM | W/ Blue Drive PART NO. | QTY. | DESCRIPTION |
|------|---------------------------|------|---|
| 1 | --- | - | See "Bulk Fill Fan System" on page P112 |
| | G10043 | 6 | Hex Head Cap Screw, 5/16"-18 x 3/4" |
| 2 | GA24414 | 1 | Bulk Fill Manifold |
| | G10109 | 6 | Lock Nut, 5/16"-18, Grade 8 |
| 3 | GA24507 | 1 | See "Bulk Fill/Vacuum Anti-Cavitation Check Valve Block (Located on Vacuum Fan)" on page P173 |
| | G10746 | 2 | Hex Head Cap Screw, 1/4"-20 x 2 3/4" |
| | G11320 | 2 | Lock Nut, 1/4"-20, Grade B |
| 4 | GR1777 | 1 | Hose Barb, 1/8" Male NPT To 3/16" Barb |
| 5 | GA14805 | 1 | Air Pressure Sensor |
| 6 | GD28372 | 1 | 1/8" NPT Tee, Brass (Female/Male/Female) |
| 7 | G10023 | 2 | Hex Head Cap Screw, 1/4"-20 x 3/4" |
| | G11385 | 2 | Flat Washer, 1/4" SAE |
| | G11320 | 2 | Lock Nut, 1/4"-20, Grade B |
| 8 | G10943 | 2 | Hex Head Cap Screw, 1/4"-20 x 4" |
| | G11320 | 2 | Lock Nut, 1/4"-20, Grade B |
| 9 | GD37066 | 1 | Bulk Fill Fan Block Mount |
| 10 | --- | - | See "Hydraulic Valve Block on Vacuum Motor" on page P80 |
| 11 | G10763901 | 1 | 6 Bolt Flange Seal |
| 12 | G10023601 | 1 | Elbow, 90°, 1/8" NPT x 1/8" NPT |



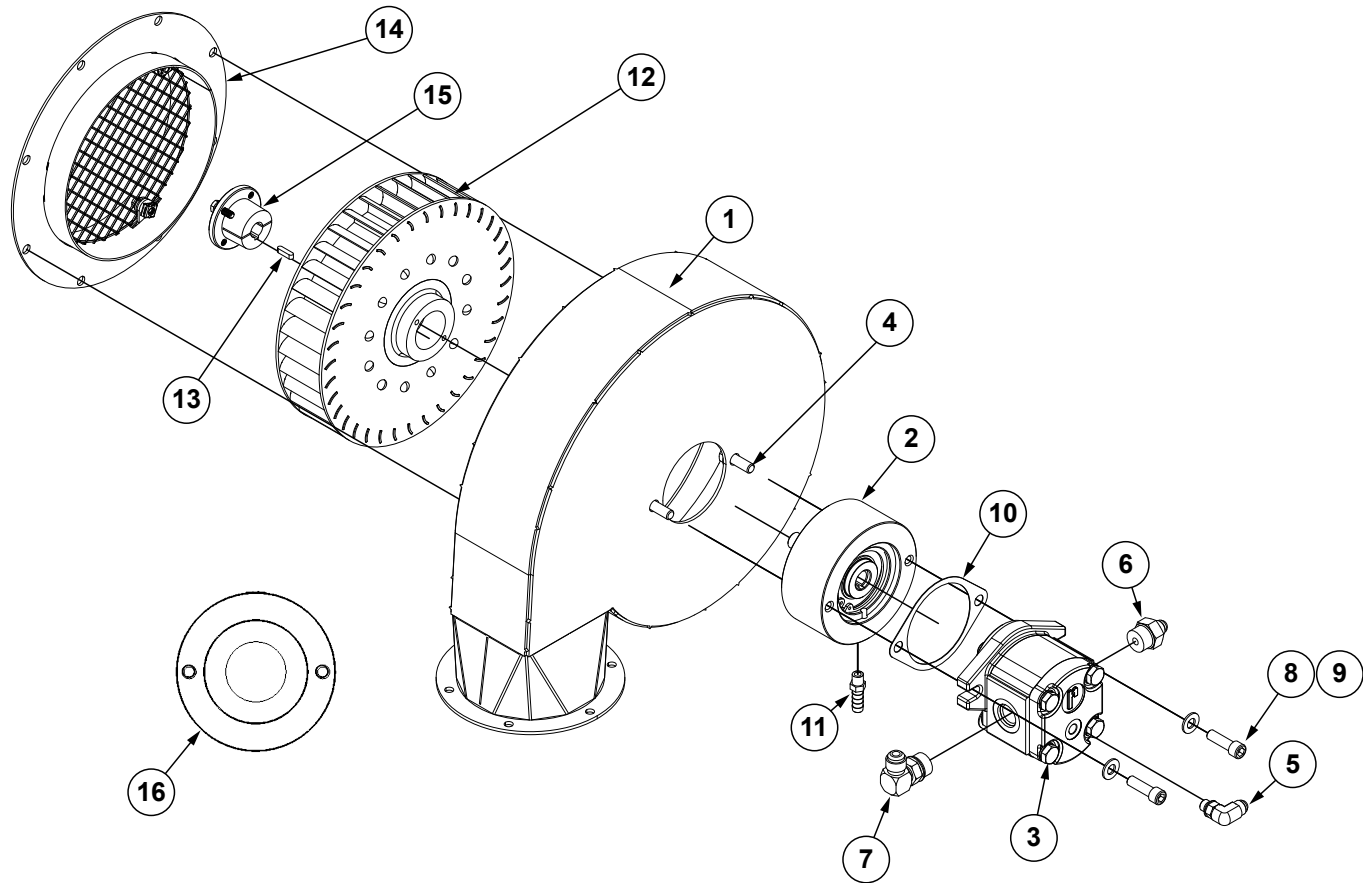
| ITEM | PART NO. | QTY. | DESCRIPTION |
|------|------------|------|---|
| 1 | G10001 | 2 | Hex Head Cap Screw, 3/8"-16 x 1" |
| 2 | G10108 | 2 | Lock Nut, 3/8"-16 |
| 3 | G10620 | 2 | Serrated Flange Nut, 5/16"-18 |
| 4 | GA14600 | 1 | Pressure Gauge Mount |
| 5 | G10041 | 2 | Hex Head Cap Screw, 5/16"-18 x 2" |
| 6 | GA21406 | 2 | Pressure Gauge W/Hose Barb |
| | GR1777 | 2 | Hose Barb, 1/8" Male NPT To 3/16" Barb (Included W/GA21406) |
| | GD15849-02 | - | Clear Plastic Tubing, 5/16" O.D. x 3/16" I.D. x 120" |
| 7 | GD15804 | 2 | Mount |
| 8 | GA10799 | 2 | Breather, 1/8" Male NPT |
| 9 | G11215 | 6 | Hex Flat Head Cap Screw, No. 6-32 x 3/8", Grade 8 |
| 10 | GA14847 | 1 | Low Pressure Sensor (0-40 IN H2O) |
| 11 | GA12812 | 1 | Hall Effect Adapter |
| 12 | GD21278 | 1 | Reducing Tee, 3/16" x 1/8" x 3/16" |
| 13 | *D17151-20 | 1 | Urethane Tubing, 1/4" x 10' |
| 14 | GA13551 | 1 | Tee Junction Harness |

*Hose not stocked by Kinze repair parts, but is available in bulk (GD17151-21).

| ITEM | PART NO. | QTY. | DESCRIPTION |
|------|-------------|------|---|
| 1 | GA10918 | 1 | Flow Control Valve |
| | G10253 | 2 | Hex Socket Head Cap Screw, No. 10-32 x 1/2" |
| 3 | GA22901 | 1 | Shutoff Valve |
| 4 | GA19432 | 1 | Inline Check Valve |
| 6 | --- | - | See "Bulk Fill/Vacuum Anti-Cavitation Check Valve Block (Located on Vacuum Fan)" on page P173 |
| 7 | G6408-H10-0 | 1 | Hex Socket Head Plug W/O-Ring, 7/8"-14 O-Ring |
| 8 | G6602-10 | 1 | Swivel Tee, 7/8"-14 JIC |
| 9 | G2603-06 | 1 | Tee, 9/16"-18 Male JIC |
| 10 | G2406-08-06 | 1 | Reducer, 3/4"-16 Female JIC To 9/16"-18 Male JIC |
| 11 | G6500-06-08 | 1 | 90° Swivel Elbow, 9/16"-18 x 3/4"-16 |
| 12 | G10403 | 2 | Hex Head Cap Screw, 1/4"-20 x 2 1/2" |
| 13 | GD35929 | 1 | Mount Plate |
| 14 | G10110 | 2 | Lock Nut, 1/4"-20, Grade B |
| 15 | G6400-06-10 | 1 | Adapter, 9/16"-18 JIC, 7/8"-14 O-Ring |
| 16 | G6801-06-10 | 1 | Elbow, 9/16"-18 x 7/8"-14 W/O-Ring |
| 17 | G6801-06-08 | 2 | Elbow W/O-Ring, 90°, 9/16"-18 Male JIC To 3/4"-16 O-Ring |
| | GR1037 | - | O-Ring |

[See "Vacuum Conventional Planter Hydraulic System" on page P184](#) for part numbers of components that are not listed

(A24428)

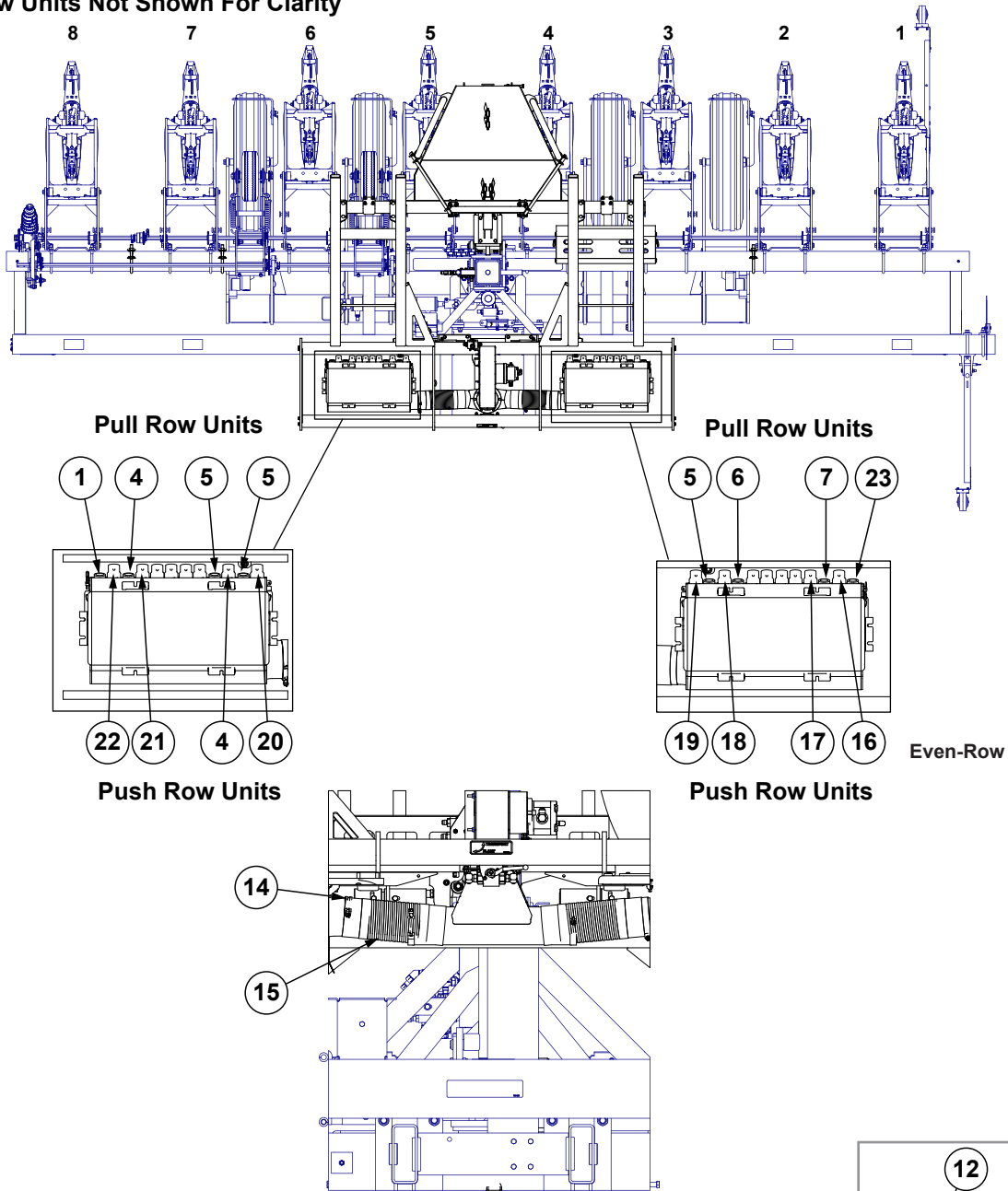


| ITEM | PART NO. | QTY. | DESCRIPTION |
|------|-------------|------|---|
| 1 | GA25034 | 1 | Fan Housing |
| 2 | GA25388 | 1 | Load Adapter |
| 3 | GA24426 | 1 | Motor |
| 4 | G11124 | 2 | Hex Serrated Flange Cap Screw, 3/8"-16 x 1" |
| 5 | G6801-06-04 | 1 | Elbow, 90°, 1/16"-18 x 7/16"-20 W/O-Ring |
| 6 | G6400-06-10 | 1 | Elbow, 90°, 1/16"-18 x 7/16"-14 W/O-Ring |
| 7 | G6801-08-10 | 1 | Elbow W/O-Ring, 90°, 3/4"-16 Male JIC To 7/8"-14 O-Ring |
| | GR1466 | - | O-Ring |
| 8 | G11848 | 2 | Hex Socket Head Cap Screw, 3/8"-16 x 1-1/4" |
| 9 | G11387 | 2 | Flat Washer, 3/8" SAE |
| 10 | GD30882 | 1 | 2-Bolt Mount Gasket |
| 11 | GD35294 | 1 | Hose Barb, 1/8"-27 NPTF x 3/8" |
| 12 | GA25035 | 1 | Fan Rotor |
| 13 | GD21300 | 1 | Key |
| 14 | GA25036 | 1 | Fan Inlet |
| | GD35011 | 1 | Inlet Screen |
| 15 | GD34103 | 1 | Bushing |
| 16 | GD27215 | 1 | Silicone Sealer |
| A | GA24429 | 1 | Bulk Fill Fan (Includes Items 1, 12, and 14-15) |

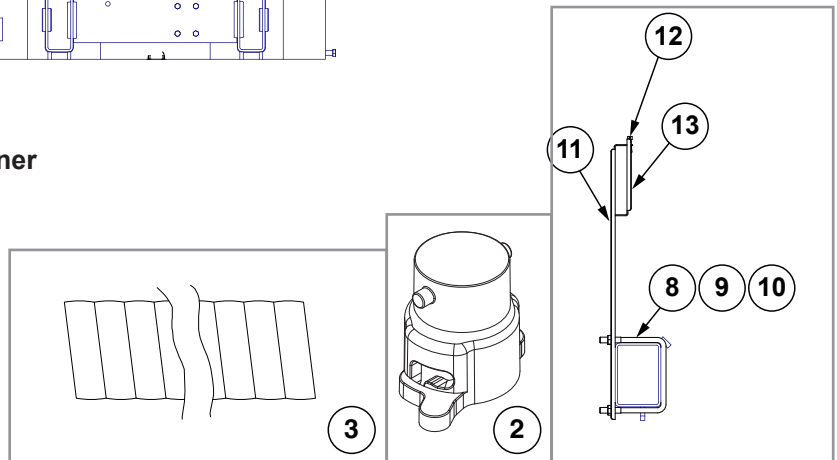
This page left blank intentionally.

(10137501/A26050)

***Split Row Units Not Shown For Clarity**



NOTE: Center 4 rows on R.H. and L.H entrainer MUST be plugged or seed will not flow.



| ITEM | PART NO. | QTY. | DESCRIPTION |
|------|-------------|------|--------------------------------|
| 1 | *A13870-133 | 1 | Seed Hose Assembly, 1¼" x 133" |
| 2 | GB0431 | - | Bulk Fill Small Cap |
| | GD19508 | - | Small O-Ring |
| 3 | GD9129-01 | - | Hose Protector, 48" |
| 4 | *A13870-101 | 1 | Seed Hose Assembly, 1¼" x 101" |
| 5 | *A13870-72 | 3 | Seed Hose Assembly, 1¼" x 72" |
| 6 | *A13870-74 | 1 | Seed Hose Assembly, 1¼" x 74" |
| 7 | *A13870-103 | 1 | Seed Hose Assembly, 1¼" x 103" |
| 8 | GD1113 | 3 | U-Bolt, 5" x 7" x ⅝"-11 |
| 9 | G10104 | 6 | Hex Nut, ⅝"-11 |
| 10 | G10230 | 6 | Lock Washer, ⅝" |
| 11 | GD34372 | 3 | Hose Holder Mount, 30" |
| 12 | GD2558 | 3 | Lynch Pin, ¼" |
| 13 | GD20595 | 3 | Hose Holder Short Mount |
| 14 | G11360 | 4 | T-Bolt Hose Clamp, 4½" |
| 15 | GD19659-08 | 2 | Black Hose, 4½" I.D. x 12" |
| 16 | *A13870-137 | 1 | Seed Hose Assembly, 1¼" x 137" |
| 17 | *A13870-149 | 1 | Seed Hose Assembly, 1¼" x 149" |
| 18 | *A13870-97 | 1 | Seed Hose Assembly, 1¼" x 97" |
| 19 | *A13870-82 | 1 | Seed Hose Assembly, 1¼" x 82" |
| 20 | *A13870-93 | 1 | Seed Hose Assembly, 1¼" x 93" |
| 21 | *A13870-118 | 1 | Seed Hose Assembly, 1¼" x 118" |
| 22 | *A13870-123 | 1 | Seed Hose Assembly, 1¼" x 123" |
| 23 | *A13870-116 | 1 | Seed Hose Assembly, 1¼" x 116" |

*Hose not stocked by Kinze repair parts, but is available in bulk (GR1947).

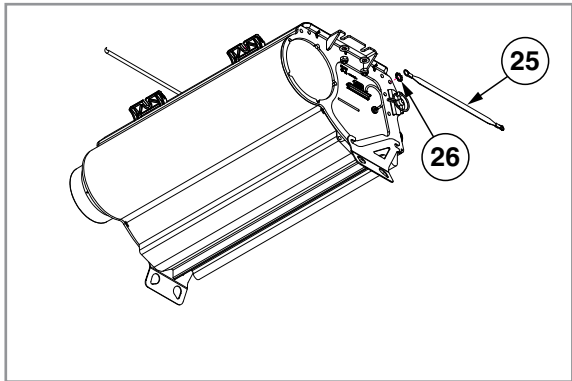
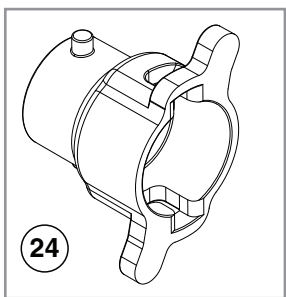
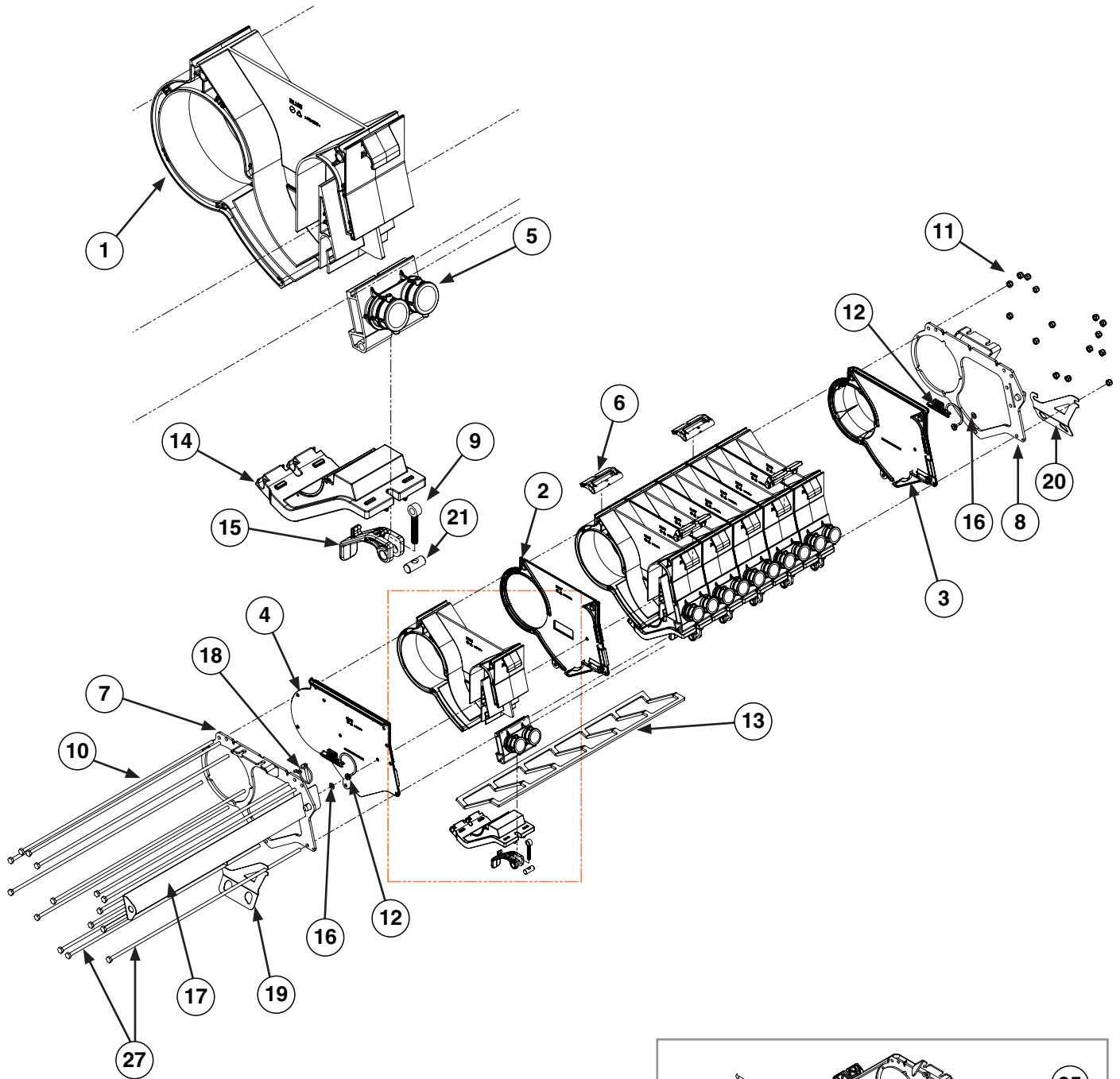
Bulk Fill Entrainer Assembly, 12 Section

Model 3505

M0311-02

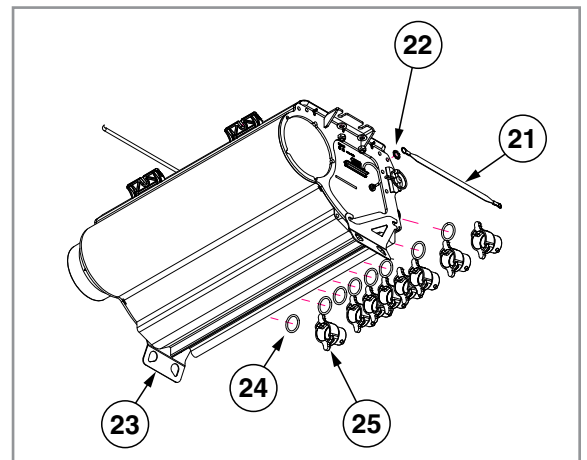
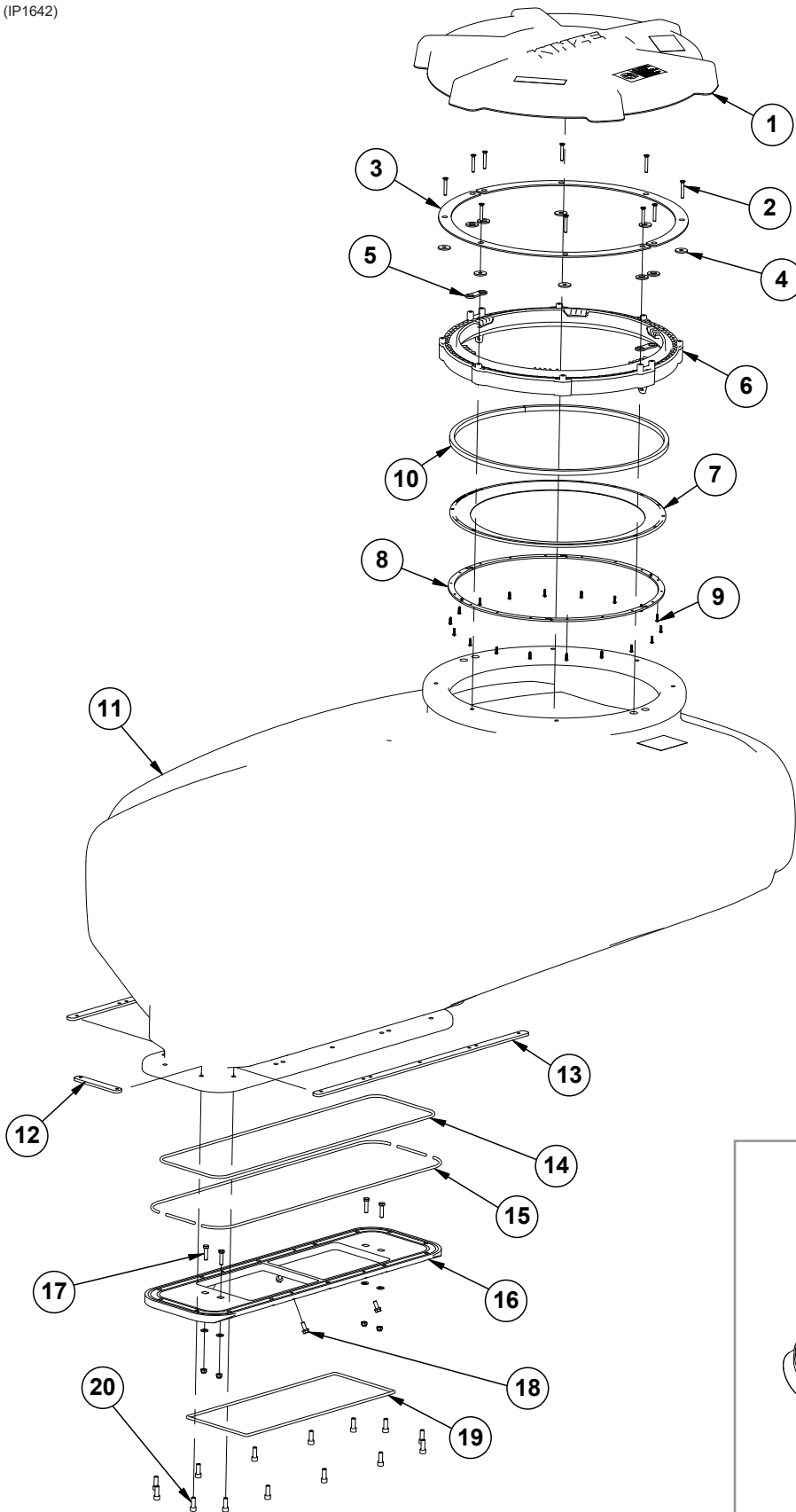
(IP1124)

L.H. Shown



| ITEM | PART NO. | QTY. | DESCRIPTION |
|------|-----------|------|---|
| 1 | GB1195 | 6 | Entrainer Section |
| 2 | GB1197 | 5 | Entrainer Interior Wall |
| 3 | GB1201 | 1 | Entrainer End Cap, L.H. |
| 4 | GB1199 | 1 | Entrainer End Cap, L.H. |
| 5 | GB1196 | 6 | Dual Entrainer Outlet, 1" |
| 6 | GB1204 | 4 | Entrainer Mount Adapter |
| 7 | GA27156 | 1 | Entrainer Retainment Assembly, L.H. |
| 8 | GA27157 | 1 | Entrainer Retainment Assembly, R.H. |
| 9 | GD19864 | 6 | Eye Bolt, 1/4"-20 x 1.83 OAL |
| 10 | GD37049 | 13 | Hex Head Cap Screw, 1/4"-20 x 21.25", Grade 2 |
| 11 | G10110 | 15 | Hex Locknut, 1/4"-20 |
| 12 | GB0444 | 2 | Bulk Fill Shutoff Door Plug |
| 13 | GD36870 | 1 | Cleanout Door Gasket, 12 Row |
| 14 | GA26104 | 6 | Entrainer Door Assembly |
| 15 | GB1203 | 6 | Entrainer Door Latch |
| 16 | G11328 | 2 | Washer, 1/4" |
| 17 | G10019303 | 1 | Entrainer Slide, 21.673 |
| 18 | G11339 | 1 | Lynch Pin, 3/16" x 1-1/4", W/Chain |
| 19 | G10017201 | 1 | Bulk Fill Chute Hanger |
| 20 | G1007301 | 1 | Bulk Fill Chute Hanger |
| 21 | GD21080 | 6 | Cam Nut, 1/4"-20 |
| 22 | --- | - | --- |
| 23 | --- | - | --- |
| 24 | GB0430 | - | Bulk Fill Large Cap |
| 25 | GD27607 | 1 | Ground Strap |
| 26 | G10529 | 1 | External Tooth Lock Washer, 3/8" |
| 27 | GD19852 | 2 | Hex Head Cap Screw, 1/4"-20 x 22", Grade 5 |
| 28 | GB0431 | 12 | Bulk Fill Small Entrainer Cap (Shown) |
| | GD19508 | 12 | Small Coupler O-Ring |
| A | GA27158 | - | Bulk Fill Entrainer Assembly, R.H. (Items 1-21, 27) |
| B | GA27159 | - | Bulk Fill Entrainer Assembly, L.H. (Shown) (Items 1-21, 27) |

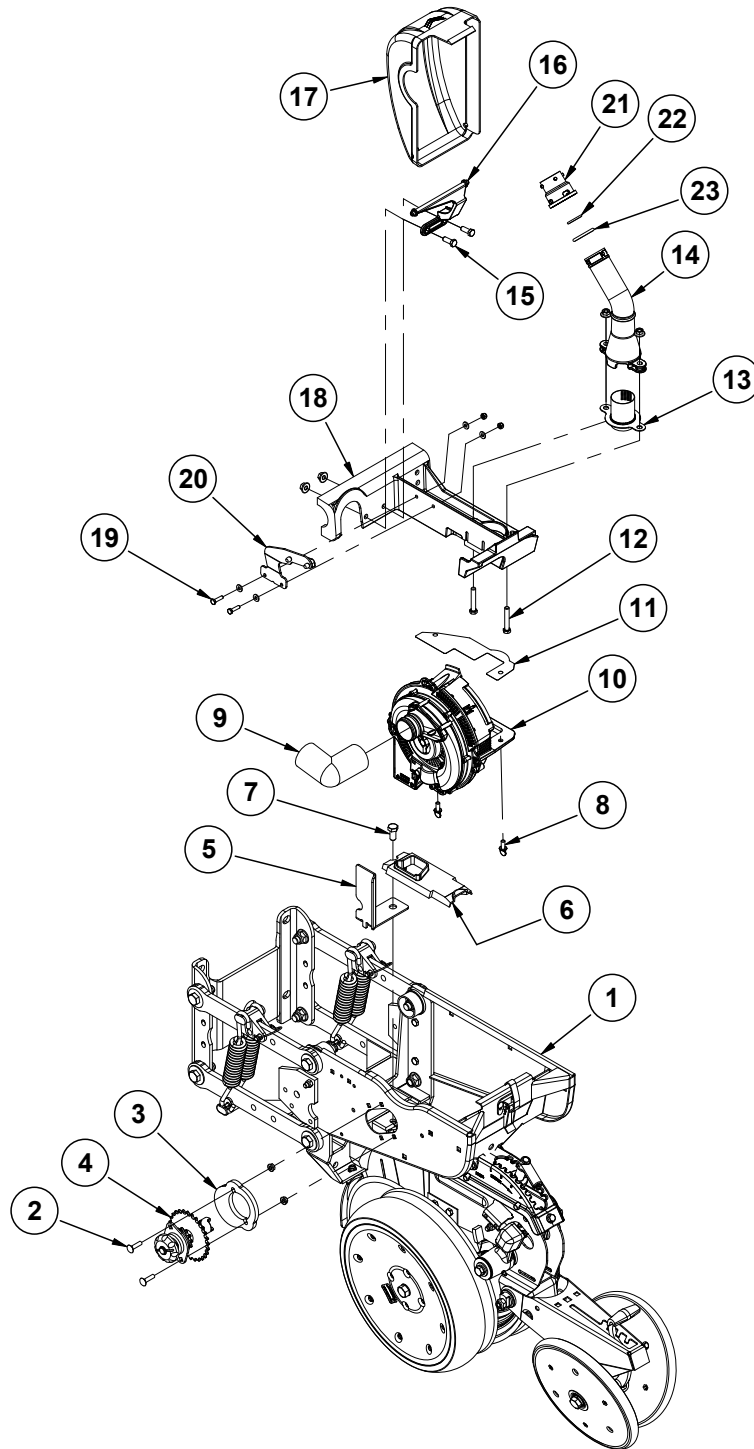
(IP1642)



| ITEM | PART NO. | QTY. | DESCRIPTION |
|------|-------------|------|---|
| 1 | GB0673 | 1 | Bulk Fill Tank Lid |
| | GD24879-01 | 1 | Rope Tether, 36" |
| | G11386 | 1 | Flat Washer, 5/16"SAE |
| 2 | G10132501 | 10 | Hex Flange Head Cap Screw, 1/4"-20 x 1 3/4" |
| 3 | GD35844 | 2 | Top Ring Mount Plate |
| 4 | GD35857 | 6 | Foam Seal Washer |
| 5 | GB0905 | 2 | Lid Seal Ring Spacer |
| | GD24754 | 4 | Foam Seal |
| 6 | GB1206 | 1 | Bulk Fill Tank Lid Latch |
| 7 | GB0675 | 1 | Bulk Fill Tank Lid Seal |
| 8 | GD24386 | 6 | Bulk Fill Lid Seal Ring Segment |
| 9 | G11522 | 18 | Phillip Pan Head Tapping Screw, #8-18 x 5/8" |
| 10 | *GD35274-01 | 1 | Ribbon Sealer, 66 1/2" (Length Used For Tank Lid) |
| 11 | G10058001 | 1 | Bulk Seed Tank, 25 Bushel |
| 12 | GD20923 | 2 | Entrainer Mount Tap Block, Short |
| 13 | G10057501 | 2 | Entrainer Mount Tap Block |
| 14 | GD19690-03 | 1 | Ribbon Sealer, 6.5' |
| 15 | GD19690-04 | 1 | Ribbon Sealer, 7' |
| 16 | GD37001 | 1 | Entrainer Adapter, 12 Row |
| 17 | G10171 | 4 | Hex Head Cap Screw, 5/16"-18 x 1 1/4" |
| | G11386 | 4 | Flat Washer, 5/16" SAE |
| | G11182 | 4 | Lock Nut W/Nylon Insert, 5/16"-18 |
| 18 | G11539 | 4 | Hex Socket Flange Cap Screw, 5/16"-18 x 3/4" |
| 19 | G10302501 | 1 | Foam Cord, 5/16" x 58.191" |
| 20 | G11261 | 14 | Hex Socket Head Cap Screw, 3/8"-16 x 1" |
| 21 | GD27607 | 1 | Ground Strap |
| 22 | G10529 | 1 | External Tooth Lock Washer, 3/8" |
| 23 | --- | --- | See "Bulk Fill Entrainer Assembly, 12 Section" on page P116 |
| 24 | GD19508 | 8 | O-Ring, Small Coupler |
| 25 | GB0431 | 8 | Bulk Fill Small Cap |
| A | G10129501 | - | Bulk Fill Lid Seal Assembly (Items 6-9) |

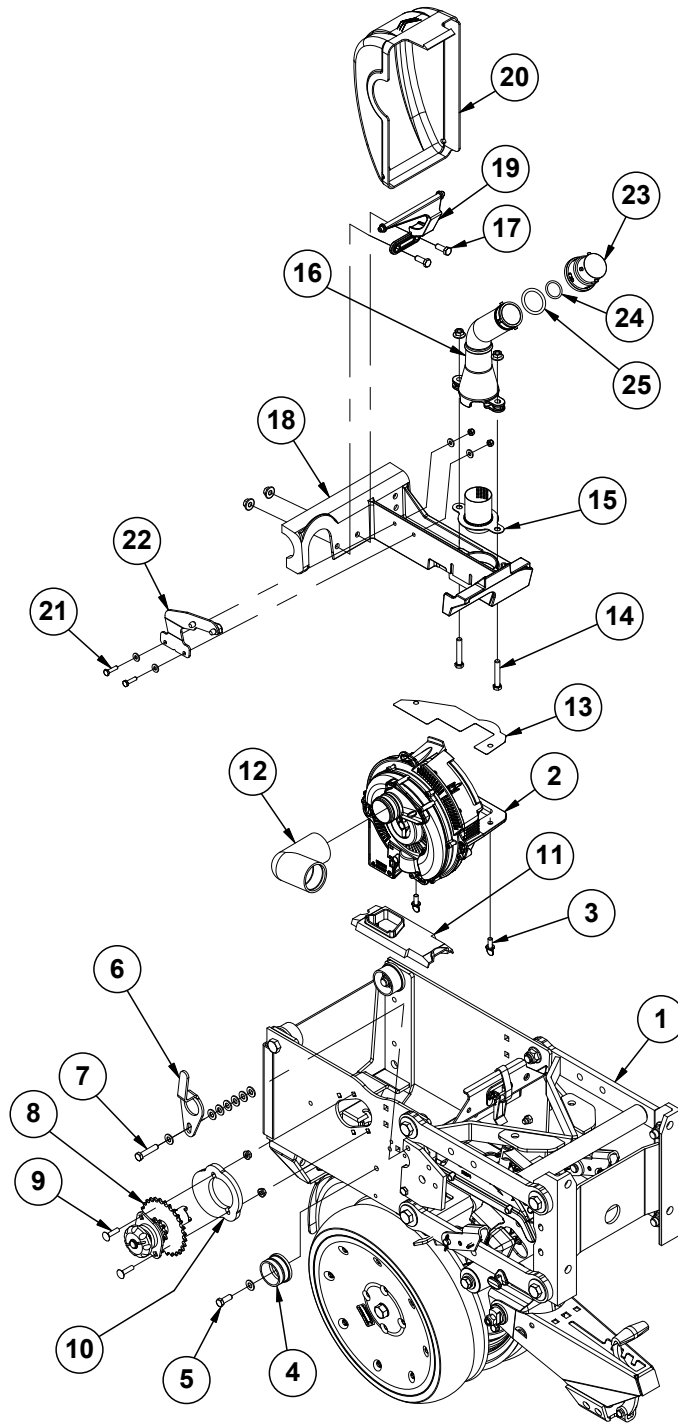
*Available in bulk only (21.75').

(IP1636)



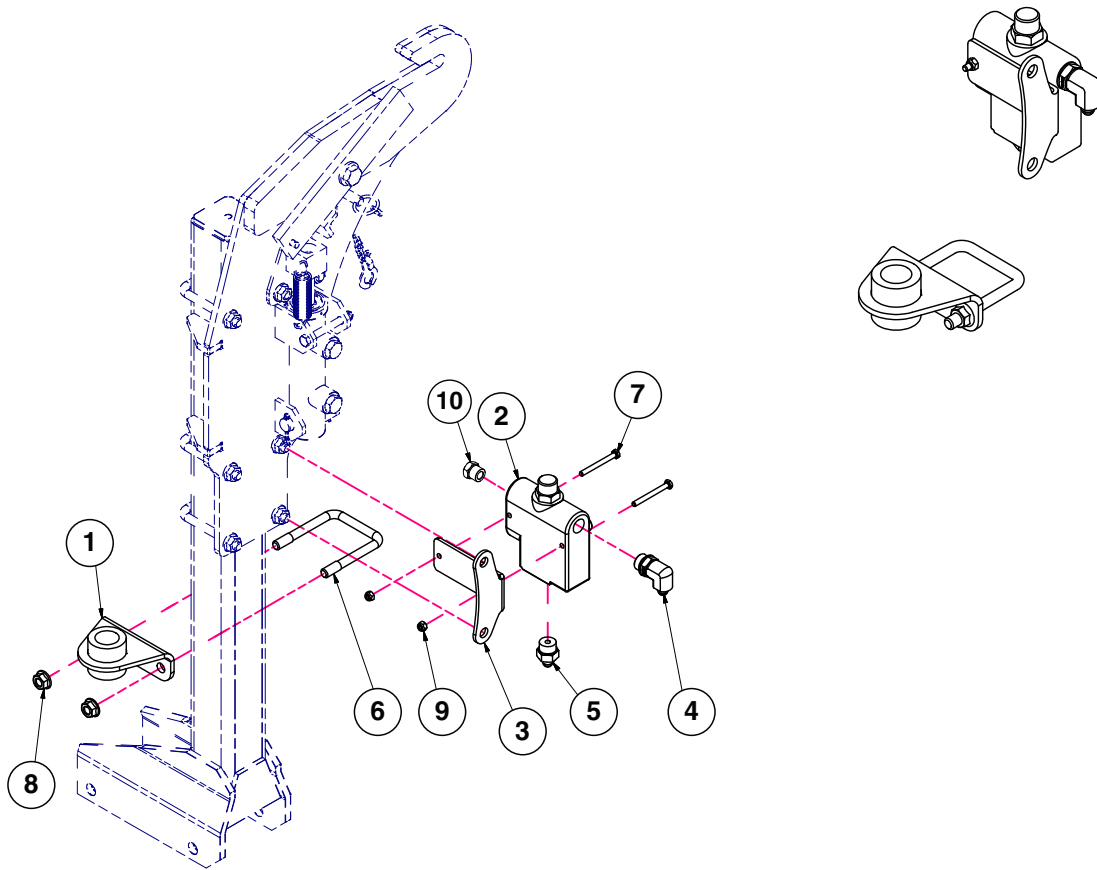
| ITEM | PART NO. | QTY. | DESCRIPTION |
|------|-----------|------|--|
| 1 | --- | --- | See "Shank Assembly, Seed Tube, and Depth Adjustment" on page P3 See "Parallel Arms, Mounting Support Plate, and Quick Adjustable Down Force Springs Option" on page P5 See "Hopper Support and Meter Drive" on page P13 |
| 2 | G10338 | 2 | Carriage Bolt, $\frac{5}{16}$ "-18 x $1\frac{1}{4}$ " |
| | G10620 | 2 | Serrated Flange Nut, $\frac{5}{16}$ "-18 |
| 3 | GB0331 | 1 | Clutch Adapter Plate |
| 4 | GA20640 | 1 | Meter Drive Assembly, 11/28 Tooth |
| | G3303-108 | - | Chain, No. 41, 108 Pitch Including Connector Link |
| | G3303-124 | - | Chain, No. 41, 120 Pitch Including Connector Link (Center 4 Rows) |
| | GR0196 | - | Connector Link, No. 41 |
| 5 | GD29798 | 1 | Chain Guard |
| 6 | GB0926 | 1 | Shank Cover |
| 7 | G10014 | 1 | Hex Head Cap Screw, $\frac{1}{2}$ "-13 x 1" |
| | G10071 | 1 | Serrated Flange Nut, $\frac{1}{2}$ "-13 |
| 8 | G11009 | 2 | Locking Thumbscrew, $\frac{5}{16}$ "-18 x $\frac{3}{4}$ " |
| 9 | GB1313 | 1 | 90° Elbow, $1\frac{1}{2}$ " Hose |
| 10 | --- | 1 | See "Vacuum Seed Meter" on page P21 |
| 11 | GD29413 | 1 | Hopper Shim |
| 12 | G10939 | 2 | Hex Head Cap Screw, $\frac{3}{8}$ "-16 x $2\frac{1}{4}$ " |
| | G11091 | 2 | Serrated Flange Nut, $\frac{3}{8}$ "-16 |
| 13 | GB0901 | 1 | Air Dissipator Screen |
| 14 | GB0455 | 1 | Bulk Fill Air Pressure Dissipator |
| 15 | G10001 | 2 | Hex Head Cap Screw, $\frac{3}{8}$ "-16 x 1" |
| | G11091 | 2 | Serrated Flange Nut, $\frac{3}{8}$ "-16 |
| 16 | GB0717 | 1 | Vacuum Meter Cover Hinge |
| 17 | GB0428 | 1 | Meter Cover |
| 18 | GA25304 | 1 | Meter Mount W/Inserts |
| | GD35858 | - | Threaded Insert, $\frac{5}{16}$ "-18 (Included W/GA25304) |
| 19 | G10064 | 2 | Hex Head Cap Screw, $\frac{1}{4}$ "-20 x 1" |
| | G11385 | 4 | Flat Washer, $\frac{1}{4}$ " SAE |
| | G10110 | 2 | Lock Nut, $\frac{1}{4}$ "-20, Grade B |
| 20 | GA21309 | 1 | Meter Support |
| 21 | GB0430 | 1 | Bulk Fill Large Cap |
| 22 | GD19508 | 1 | Small O-Ring |
| 23 | GD19509 | 1 | O-Ring, Large |

(IP1637)



| ITEM | PART NO. | QTY. | DESCRIPTION |
|------|-----------|------|--|
| 1 | --- | --- | See "Shank and Depth Adjustment (Split Row)" on page P60 See "Parallel Arms and Face Plate (Split Row)" on page P58 |
| 2 | GA21482 | 1 | See "Vacuum Seed Meter" on page P21 |
| 3 | G11009 | 2 | Locking Thumbscrew, 5/16"-18 x 3/4" |
| 4 | GD17052 | 1 | Vacuum Plug |
| 5 | G10001 | 1 | Hex Head Cap Screw, 3/8"-16 x 1" |
| | G11387 | 8 | Hardened Washer, 3/8" SAE |
| | G10108 | 1 | Lock Nut, 3/8"-16 |
| 6 | G10180301 | 1 | Vacuum Hose Guide |
| 7 | G10047 | 1 | Hex Head Cap Screw, 3/8"-16 x 1 3/4" |
| 8 | GA20640 | 1 | Meter Drive Assembly, 11/28 Tooth |
| | G3303-96 | - | Chain, No. 41, 96 Pitch Including Connector Link |
| | GR0196 | - | Connector Link, No. 41 |
| 9 | G10338 | 2 | Carriage Bolt, 5/16"-18 x 1 1/4" |
| | G10620 | 2 | Serrated Flange Nut, 5/16"-18 |
| 10 | GB0331 | 1 | Clutch Adapter Plate |
| 11 | GB0926 | 1 | Shank Cover |
| 12 | GB1313 | 1 | 90° Elbow, 1 1/2" Hose |
| 13 | GD29413 | 1 | Hopper Shim |
| 14 | G10939 | 2 | Hex Head Cap Screw, 3/8"-16 x 2 1/4" |
| | G11091 | 2 | Serrated Flange Nut, 3/8"-16 |
| 15 | GB0901 | 1 | Air Dissipator Screen |
| 16 | GB0455 | 1 | Bulk Fill Air Pressure Dissipator |
| 17 | G10001 | 2 | Hex Head Cap Screw, 3/8"-16 x 1" |
| | G11091 | 2 | Serrated Flange Nut, 3/8"-16 |
| 18 | GA25304 | 1 | Meter Mount W/Inserts |
| | GD16561 | - | Threaded Insert, 5/16"-18 (Included W/GA25304) |
| 19 | GB0717 | 1 | Vacuum Meter Cover Hinge |
| 20 | GB0428 | 1 | Vacuum Meter Cover |
| 21 | G10064 | 2 | Hex Head Cap Screw, 1/4"-20 x 1" |
| | G10110 | 2 | Lock Nut, 1/4"-20, Grade B |
| | G11385 | 4 | Flat Washer, 1/4" SAE |
| 22 | GA21309 | 1 | Meter Support |
| 23 | GB0430 | 1 | Bulk Fill Large Cap |
| 24 | GD19508 | 1 | Small O-Ring |
| 25 | GD19509 | 1 | O-Ring, Large |

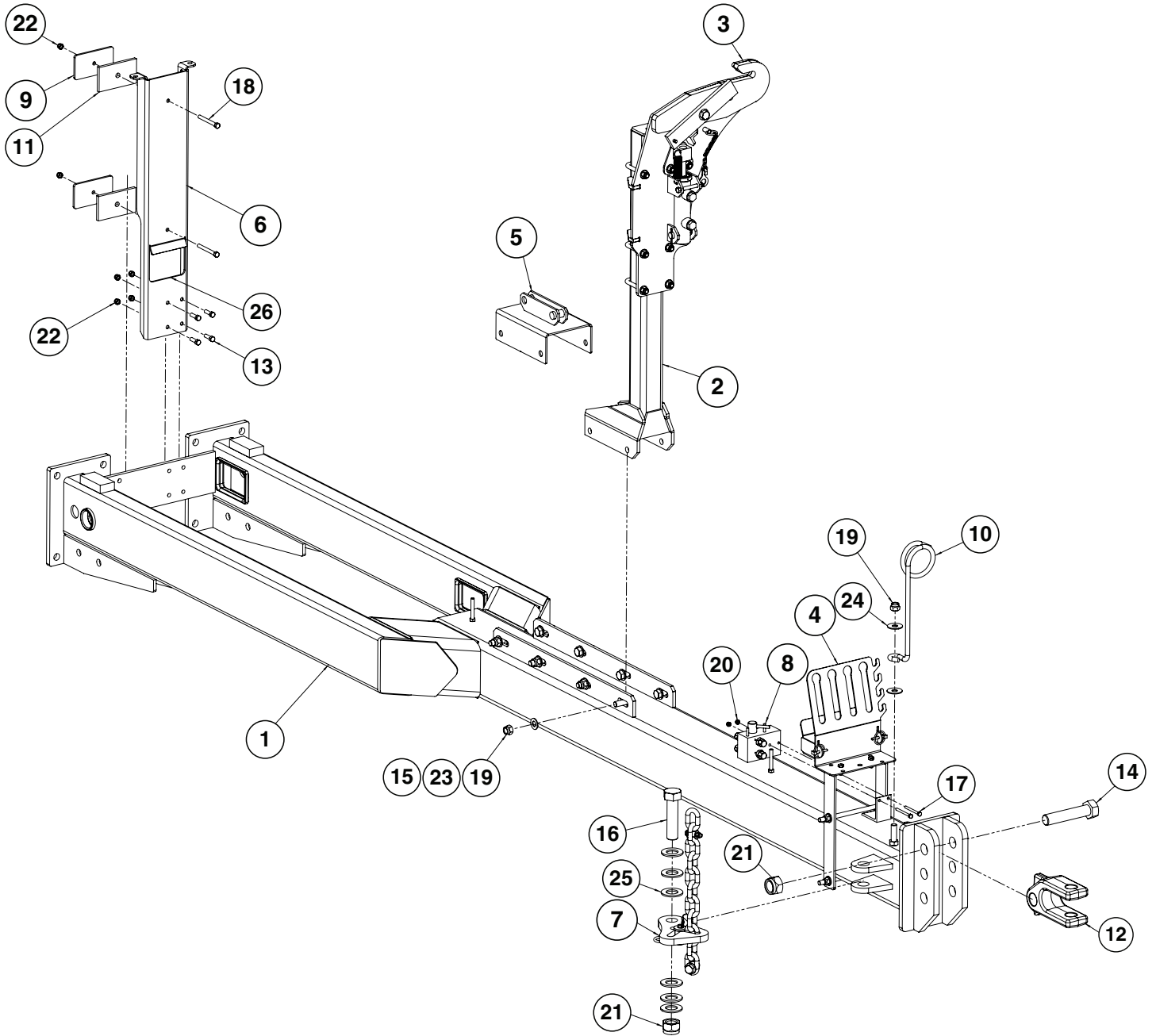
(A26115)



| ITEM | PART NO. | QTY. | DESCRIPTION |
|------|-------------|------|---------------------------------------|
| 1 | GA24415 | 1 | Bracket |
| 2 | GA10918 | 1 | Flow Control Valve |
| 3 | GD35929 | 1 | Mount Plate |
| 4 | G6801-06-10 | 1 | Elbow, 9/16"-18 x 7/8"-14 W/O-Ring |
| 5 | G6400-06-10 | 1 | Adapter, 9/16"-18 JIC, 7/8"-14 O-Ring |
| 6 | GD4743 | 1 | U-Bolt, 3" x 3" x 1/2"-13 |
| 7 | G10403 | 2 | Hex Head Cap Screw, 1/4"-20 x 2 1/2" |
| 8 | G10071 | 2 | Serrated Flange Nut, 1/2"-13 |
| 9 | G10110 | 2 | Lock Nut, 1/4"-20, Grade B |
| 10 | G6408-10 | 1 | O-Ring Plug, 7/8-14 Hex Head |

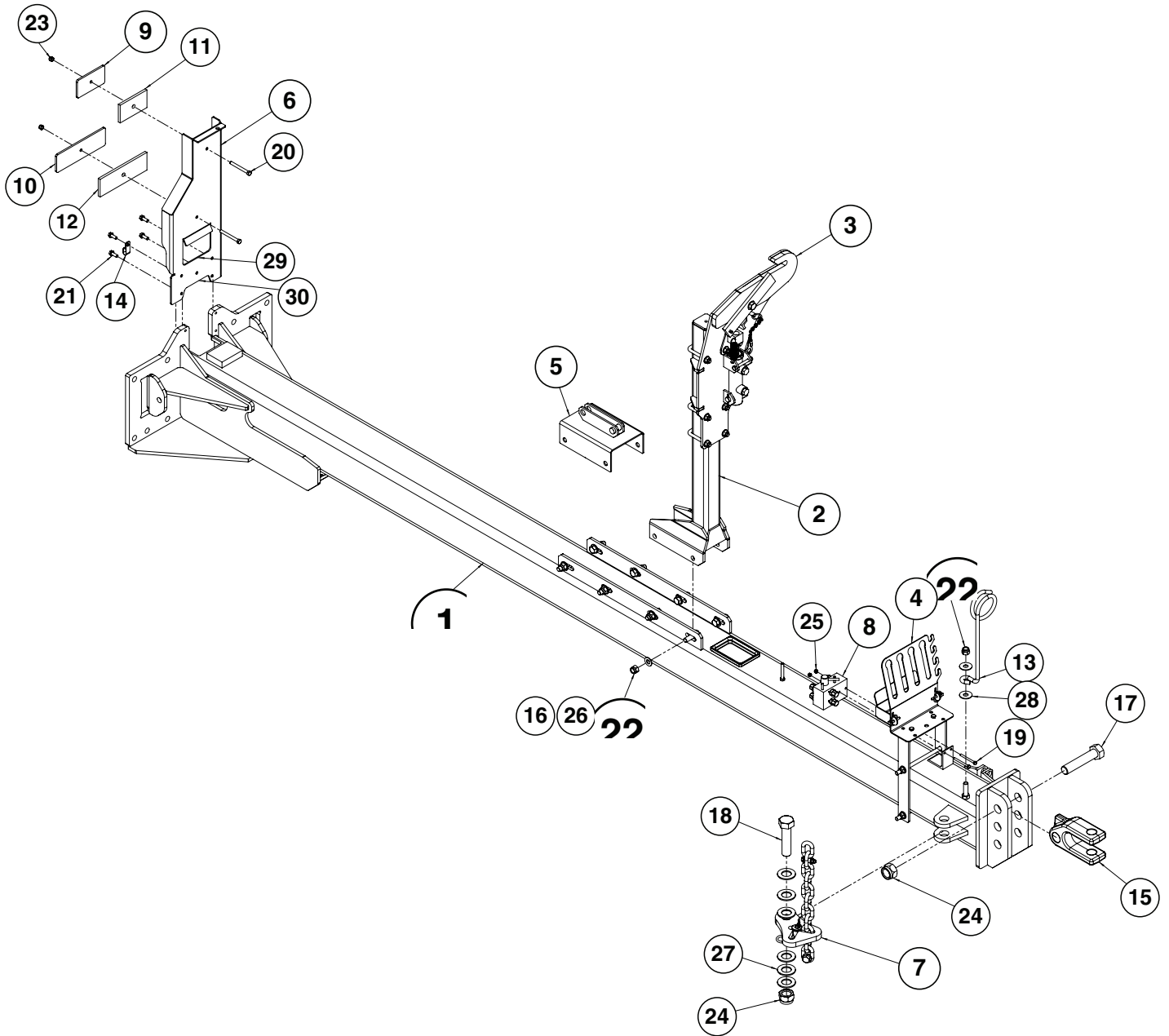
This page left blank intentionally.

(107063)



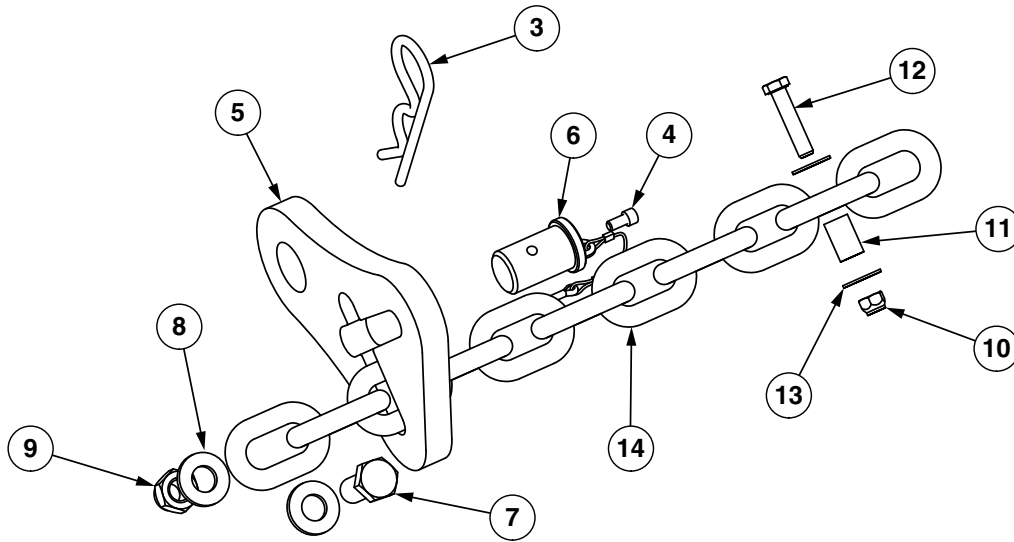
| ITEM | PART NO. | QTY. | DESCRIPTION |
|------|-----------|------|---|
| 1 | G10692701 | 1 | Y-Hitch |
| 2 | GA6418 | 1 | Transport Post |
| 3 | GA26076 | 1 | See "Transport Catch Assembly" on page P134 |
| 4 | GA25891 | 1 | See "Hydraulic Hose Holder" on page P131 |
| 5 | G10740701 | 1 | Jack Storage Mount |
| 6 | GA24422 | 1 | Hydraulic Hose Tray |
| 7 | GA25107 | 1 | Safety Chain Latch Assembly |
| 8 | GA26111 | 1 | Selector Valve |
| 9 | GD34015 | 2 | Hose Clamp Plate |
| 10 | GD16328 | 1 | Hose Holder |
| 11 | GD8189 | 2 | Rubber Strip, 3/8" |
| 12 | GB0156 | 1 | Double Clevis |
| 13 | G10004 | 4 | Hex Head Cap Screw, 3/8"-16 x 1 1/4" |
| 14 | G10169 | 1 | Hex Head Cap Screw, 1 1/4"-7 x 6" |
| 15 | G10008 | 8 | Hex Head Cap Screw, 5/8"-11 x 2" |
| 16 | G11290 | 1 | Hex Head Cap Screw, 1 1/4"-7 x 5" |
| 17 | G10746 | 2 | Hex Head Cap Screw, 1/4"-20 x 2 3/4" |
| 18 | G10061 | 2 | Hex Head Cap Screw, 3/8"-16 x 3 1/2" |
| 19 | G10107 | 9 | Lock Nut, 5/8"-11 |
| 20 | G10110 | 2 | Lock Nut, 1/4"-20, Grade B |
| 21 | G10157 | 2 | Lock Nut, 1-1/4"-7 |
| 22 | G10108 | 6 | Lock Nut, 3/8"-16 |
| 23 | G11391 | 16 | Flat Washer, 5/8" SAE |
| 24 | G10217 | 2 | Washer, 5/8" USS |
| 25 | G11396 | 6 | Flat Washer, 1 1/4" SAE |
| 26 | G4425-02 | 1 | Edge Molding, 3/16" x 15" |

(107062)



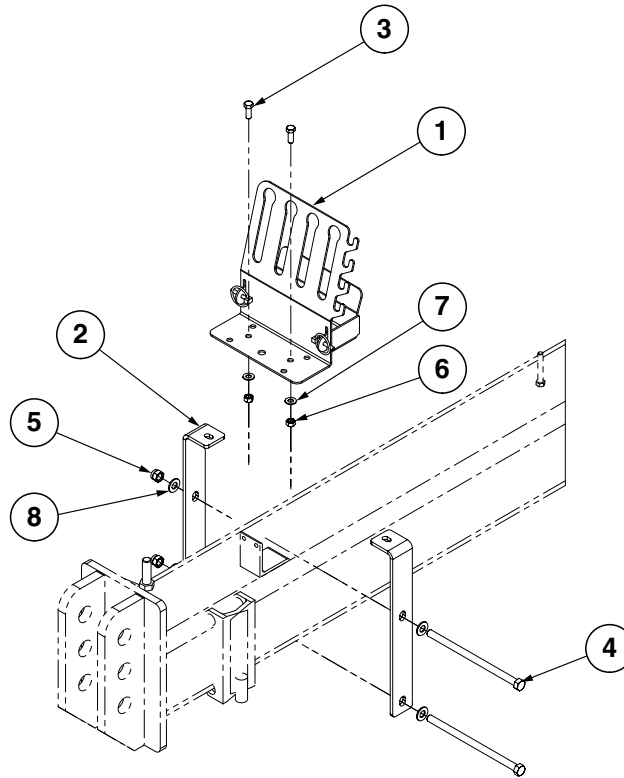
| ITEM | PART NO. | QTY. | DESCRIPTION |
|------|-----------|------|---|
| 1 | G10692601 | 1 | T-Hitch |
| 2 | GA6418 | 1 | Transport Post |
| 3 | GA26076 | 1 | See "Transport Catch Assembly" on page P134 |
| 4 | GA25891 | 1 | See "Hydraulic Hose Holder" on page P131 |
| 5 | G10740701 | 1 | Jack Storage Mount |
| 6 | GA25893 | 1 | T-Hitch Bulkhead |
| 7 | GA25107 | 1 | Safety Chain Latch Assembly |
| 8 | GA26111 | 1 | Selector Valve |
| 9 | GD34015 | 1 | Hose Clamp Plate |
| 10 | GD35724 | 1 | Hose Clamp Plate |
| 11 | GD8189 | 1 | Rubber Strip, 3/8" |
| 12 | GD35725 | 1 | Rubber Strip, 3/8" |
| 13 | GD16328 | 1 | Hose Holder |
| 14 | GD17161 | 1 | Insulated Clamp |
| 15 | GB0156 | 1 | Double Clevis |
| 16 | G10008 | 8 | Hex Head Cap Screw, 5/8"-11 x 2" |
| 17 | G10169 | 1 | Hex Head Cap Screw, 1 1/4"-7 x 6" |
| 18 | G11290 | 1 | Hex Head Cap Screw, 1 1/4"-7 x 5" |
| 19 | G10746 | 2 | Hex Head Cap Screw, 1/4"-20 x 2 3/4" |
| 20 | G10061 | 2 | Hex Head Cap Screw, 3/8"-16 x 3 1/2" |
| 21 | G11124 | 4 | Hex Serrated Flange Cap Screw, 3/8"-16 x 1" |
| 22 | G10107 | 9 | Lock Nut, 5/8"-11 |
| 23 | G10108 | 2 | Lock Nut, 3/8"-16 |
| 24 | G10157 | 2 | Lock Nut, 1-1/4"-7 |
| 25 | G10110 | 2 | Lock Nut, 1/4"-20, Grade B |
| 26 | G11391 | 16 | Flat Washer, 5/8" SAE |
| 27 | G11396 | 6 | Flat Washer, 1 1/4" SAE |
| 28 | G10217 | 2 | Washer, 5/8" USS |
| 29 | G4425-02 | 1 | Edge Molding, 3/16" x 15" |
| 30 | G4425-03 | 1 | Edge Molding, 3/16" x 4.5" |

(A25107)



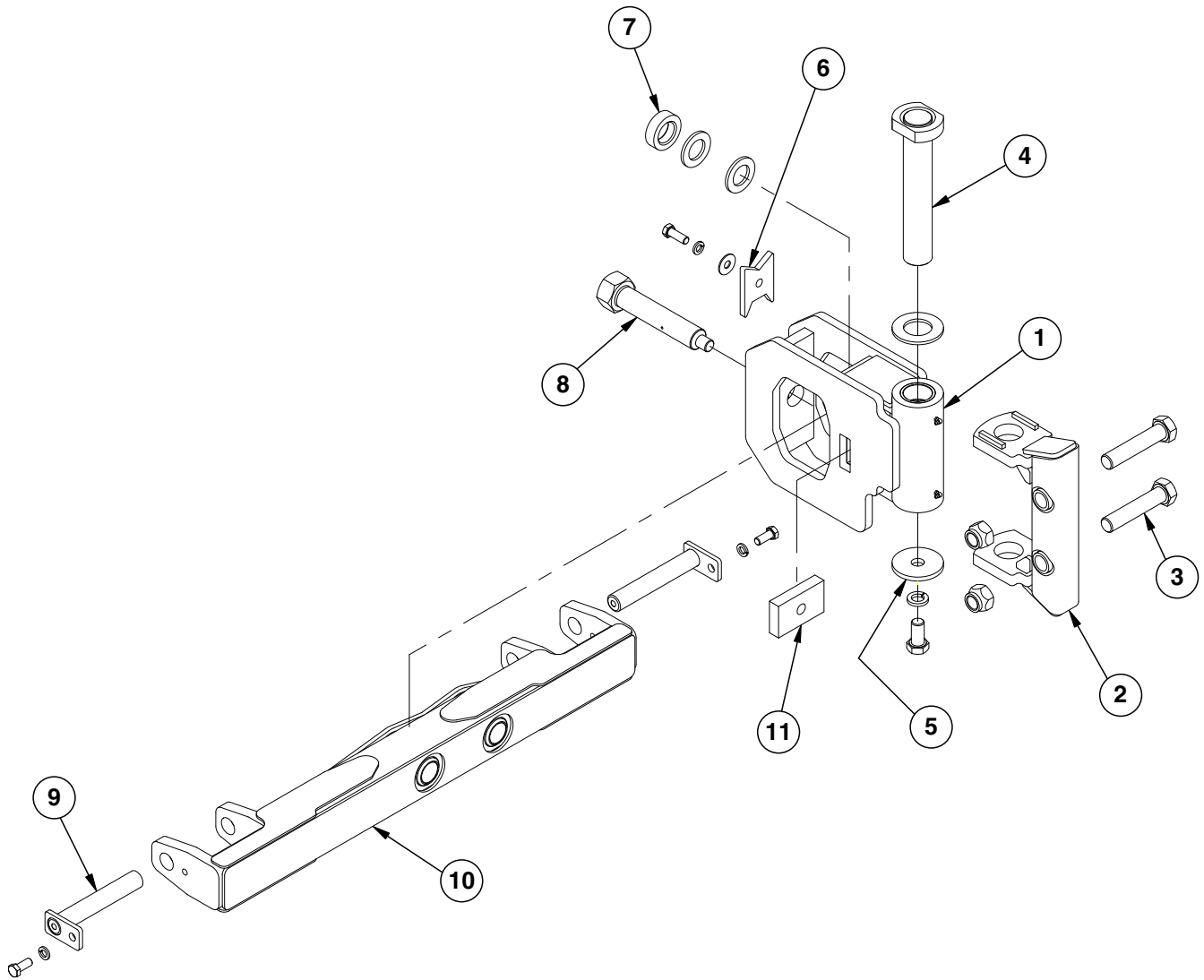
| ITEM | PART NO. | QTY. | DESCRIPTION |
|------|-----------|------|---|
| 1 | --- | - | --- |
| 2 | --- | - | --- |
| 3 | G10671 | 1 | Hairpin Cotter, 3/16" x 3 1/4" |
| 4 | G11874 | 1 | Hex Socket Head Cap Screw, 1/4"-20 x 1/2" |
| 5 | GD35127 | 1 | Single Chain Latch |
| 6 | GD35340 | 1 | Chain Latch Pin |
| 7 | G10007 | 1 | Hex Head Cap Screw, 5/8"-11 x 1 1/2" |
| 8 | G11391 | 2 | Flat Washer, 5/8" SAE |
| 9 | G10107 | 1 | Lock Nut, 5/8"-11 |
| 10 | G10108 | 1 | Lock Nut, 3/8"-16 |
| 11 | GD8893-07 | 1 | Sleeve, 1" Long |
| 12 | G10047 | 1 | Hex Head Cap Screw, 3/8"-16 x 1 3/4" |
| 13 | G10210 | 2 | Washer, 3/8" USS |
| 14 | G3324-01 | 1 | Safety Chain, 13MM Grade 70, 97-1/2" |

(A25891)



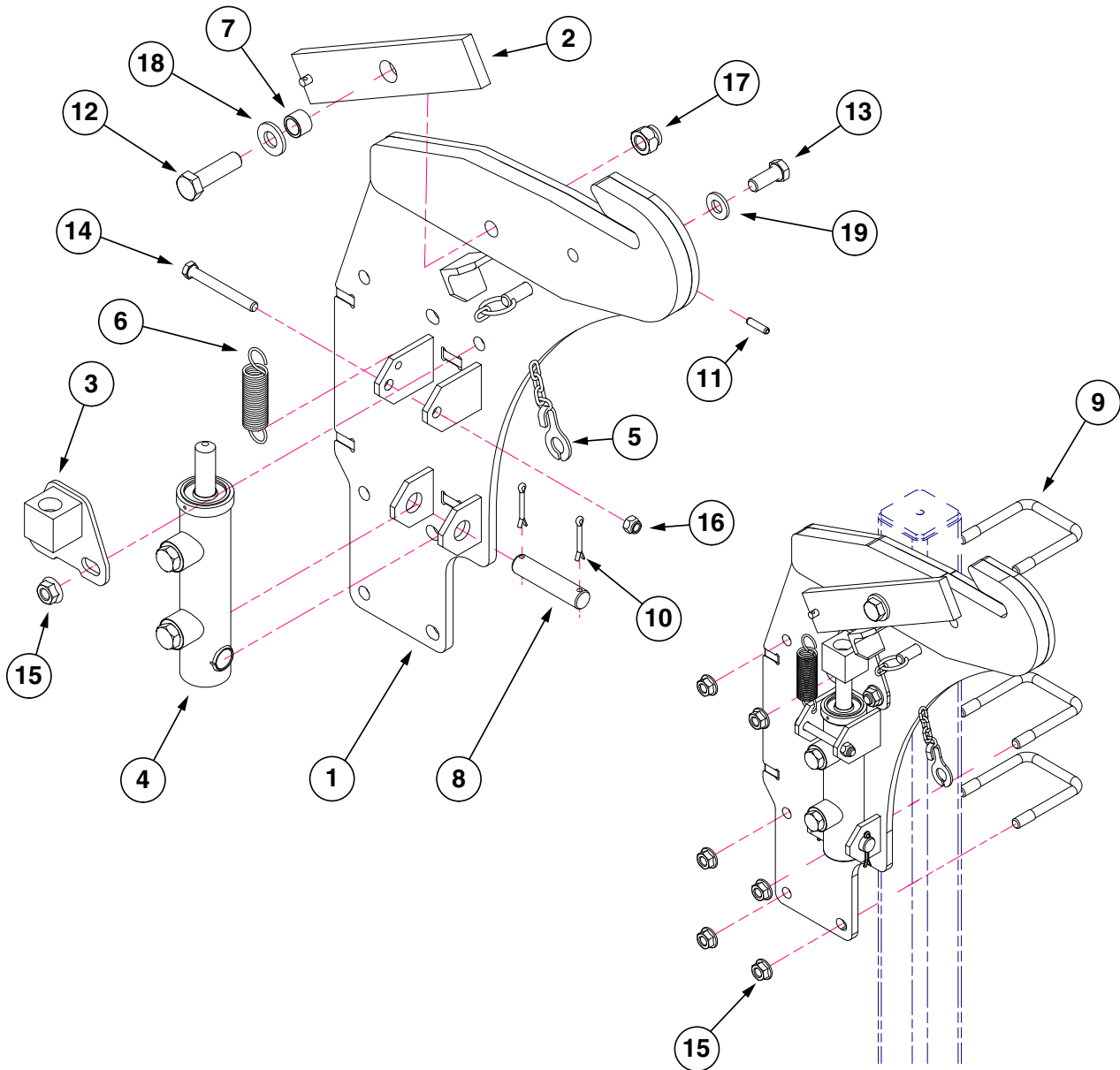
| ITEM | PART NO. | QTY. | DESCRIPTION |
|------|----------|------|----------------------------------|
| 1 | GA25760 | 1 | Hydraulic Hose Holder Assembly |
| 2 | GD35726 | 2 | Bracket |
| 3 | G10001 | 2 | Hex Head Cap Screw, 3/8"-16 x 1" |
| 4 | G10909 | 2 | Hex Head Cap Screw, 1/2"-13 x 9" |
| 5 | G10111 | 2 | Lock Nut, 1/2"-13 |
| 6 | G10101 | 2 | Hex Nut, 3/8"-16 |
| 7 | G11387 | 2 | Flat Washer, 3/8" SAE |
| 8 | G11389 | 4 | Flat Washer, 1/2" Plated SAE |

(IP1012/A12406)



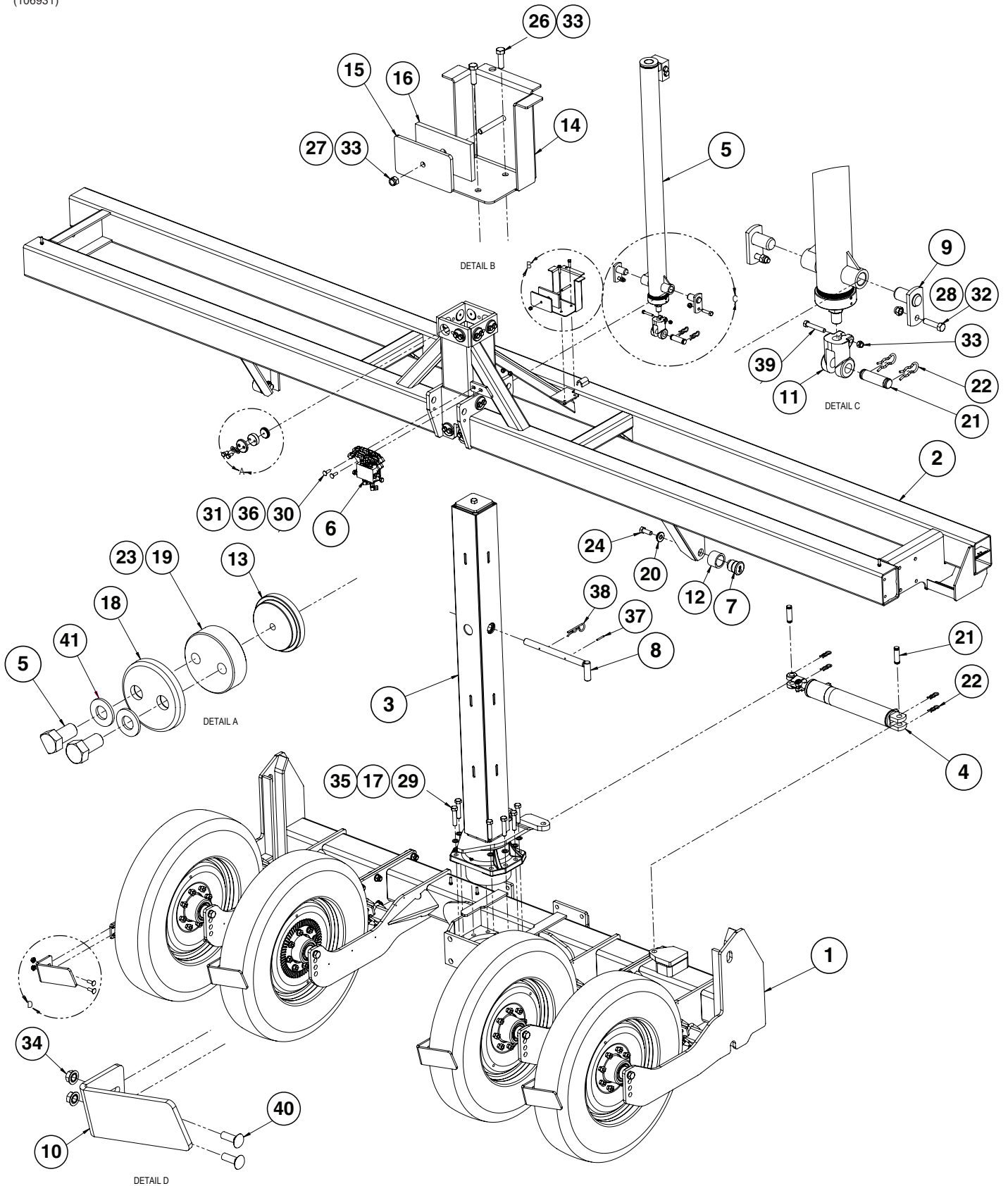
| ITEM | PART NO. | QTY. | DESCRIPTION |
|------|----------|------|--|
| 1 | GA13665 | 1 | Hitch Pivot |
| 2 | GA13783 | 1 | Pivot Mount |
| 3 | G10169 | 2 | Hex Head Cap Screw, 1¼"-7 x 6" |
| | G10157 | 2 | Lock Nut, 1¼"-7 |
| 4 | GA12163 | 1 | Pin, 13 ³ / ₈ " |
| | GD15725 | 1 | Washer, 4" O.D. x 2¼" I.D. x ¼" |
| 5 | GD17245 | 1 | Washer, 4" O.D. x 1½" I.D. X ¾" |
| | G11223 | 1 | Hex Head Cap Screw, 1"-8 x 2" |
| | G10118 | 1 | Lock Washer, 1" |
| 6 | GD15100 | 1 | Pivot Lock |
| | G10230 | 1 | Lock Washer, 5/8" |
| | G10217 | 1 | Washer, 5/8" USS |
| | G10005 | 1 | Hex Head Cap Screw, 7/8"-11 x 1¾" |
| 7 | GD16226 | 1 | Sleeve, 3" O.D. x 1 ²⁵ / ₃₂ " x 2 ⁹ / ₃₂ " Thick |
| | GD16303 | 2 | Washer, 3" O.D. x 1 ²⁵ / ₃₂ " x ¼" Thick |
| 8 | GA13673 | 1 | Pivot Pin |
| 9 | GA11079 | 2 | Hammer Strap, Category 3 And 3N |
| | G10007 | 2 | Hex Head Cap Screw, 5/8"-11 x 1½" |
| | G10230 | 2 | Lock Washer, 5/8" |
| 10 | GA12164 | 1 | Hitch Bar |
| 11 | GD19468 | 1 | Tapped Bar |

(A26076)



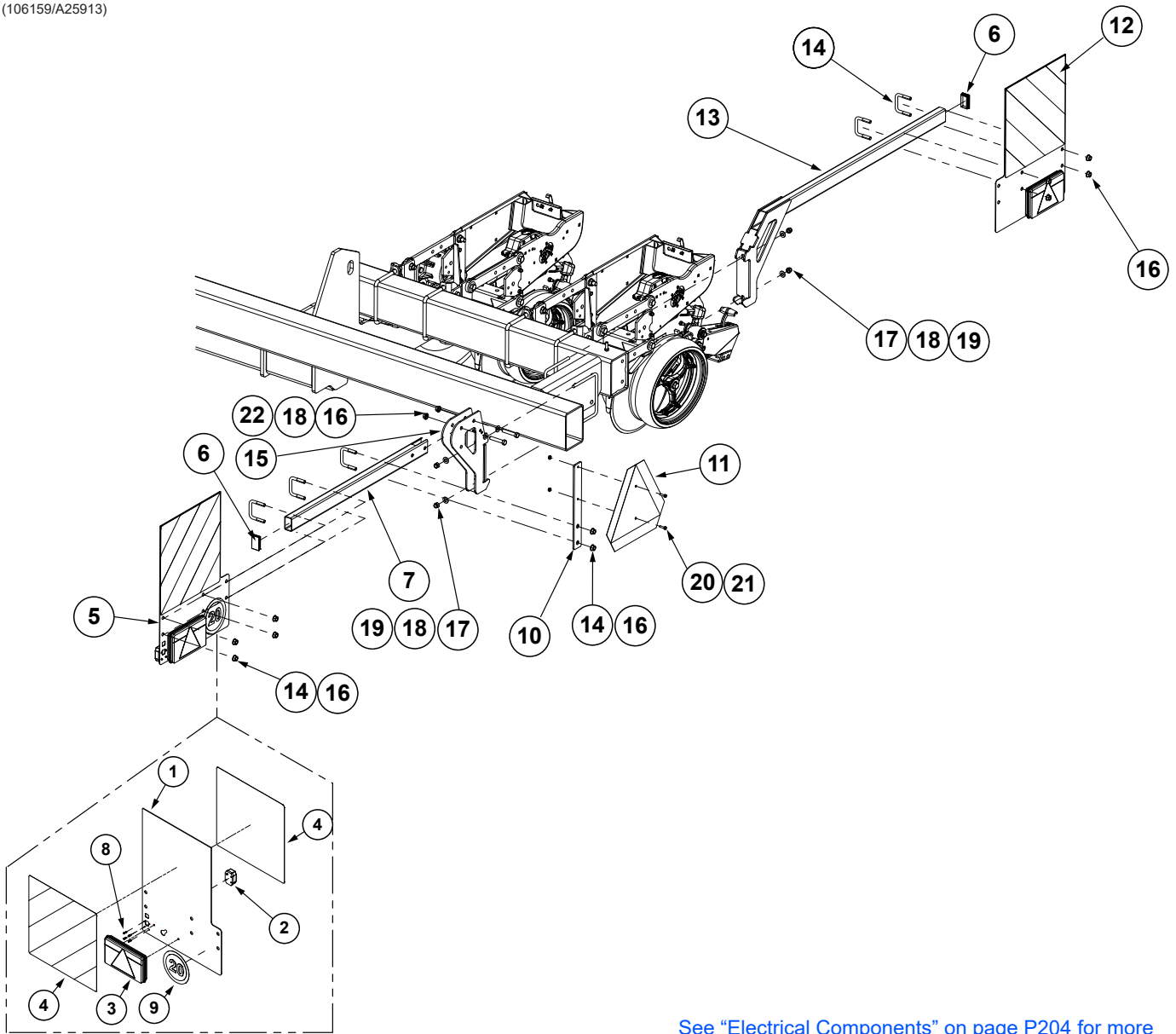
| ITEM | PART NO. | QTY. | DESCRIPTION |
|------|----------|------|--|
| 1 | GA25922 | 1 | Transportation Catch |
| 2 | GA6422 | 1 | Catch Bar |
| 3 | GA25722 | 1 | Rod Guide |
| 4 | GA9559 | 1 | Cylinder Complete, 1 1/2" x 2 1/2" (Part Number Stamped On Barrel) |
| 5 | GA7022 | 1 | Detent Pin W/Chain |
| 6 | GD5857 | 1 | Spring |
| 7 | GB0218 | 1 | Bushing, 21/32" I.D. x 7/8" O.D. x 19/32" Long |
| 8 | GD7137 | 1 | Pin, 3/4" x 3 3/8" |
| 9 | GD4743 | 3 | U-Bolt, 3" x 3" x 1/2"-13 |
| 10 | G10457 | 2 | Cotter Pin, 5/32" x 1 1/2" |
| 11 | G10765 | 1 | Spring Pin, 1/4" x 1" |
| 12 | G10006 | 1 | Hex Head Cap Screw, 5/8"-11 x 2 1/4" |
| 13 | G10037 | 1 | Hex Head Cap Screw, 1/2"-13 x 1 1/4" |
| 14 | G10809 | 1 | Hex Head Cap Screw, 3/8"-16 x 3 1/4" |
| 15 | G10071 | 7 | Serrated Flange Nut, 1/2"-13 |
| 16 | G10108 | 1 | Lock Nut, 3/8"-16 |
| 17 | G10107 | 1 | Lock Nut, 5/8"-11 |
| 18 | G11391 | 1 | Flat Washer, 5/8" SAE |
| 19 | G11389 | 1 | Flat Washer, 1/2" Plated SAE |

(106931)



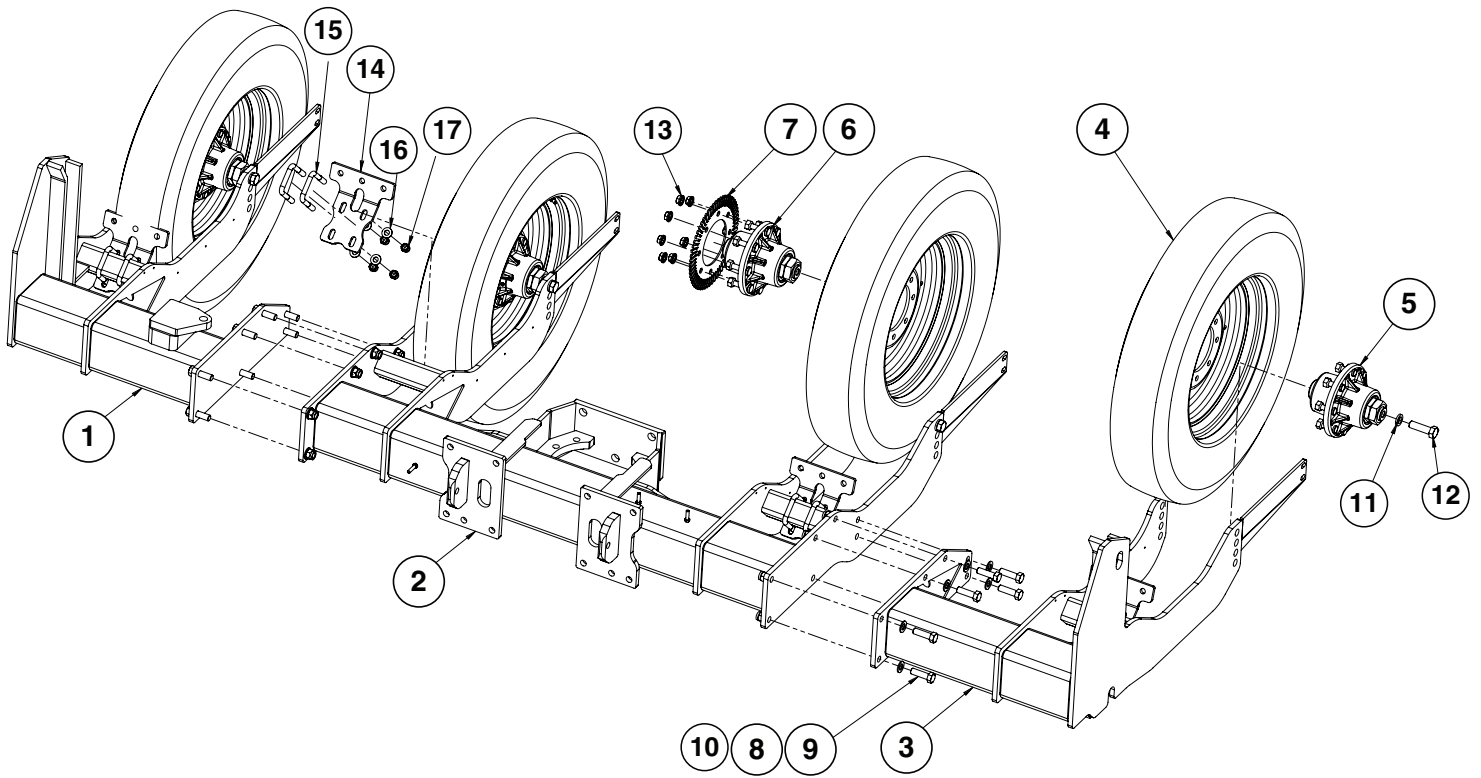
| ITEM | PART NO. | QTY. | DESCRIPTION |
|------|------------|------|---|
| 1 | G10696001 | 1 | See "Axle Assembly" on page P140 |
| 2 | GA25717 | 1 | Center Frame |
| 3 | GA20688 | 1 | Center Post Assembly |
| 4 | GA8911 | 1 | See "Rotation Cylinder" on page P174 |
| 5 | GA24694 | 1 | See "Lift Cylinder" on page P164 |
| 6 | GA25725 | 1 | See "Row Marker Sequencing/Flow Control Valve" on page P171 |
| 7 | GA6497 | 2 | Eccentric Fitting |
| 8 | GA6849 | 1 | Pin |
| 9 | GA5121 | 2 | Cylinder Pin |
| 10 | GD37053 | 4 | Mud Scraper Bar |
| 11 | GD30859 | 1 | Clevis Rod |
| 12 | GD10532 | 2 | Sleeve |
| 13 | GD34081 | 16 | Wear Pad |
| 14 | GD34104 | 1 | Hydraulic Hose Bracket |
| 15 | GD34015 | 1 | Hose Plate Clamp |
| 16 | GD8189 | 1 | Rubber Strip, 3/8" |
| 17 | GD2169 | 16 | Special Washer, 25/32" I.D. x 1 1/4" O.D., Hardened |
| 18 | GB0230 | 16 | Cap |
| 19 | GB0234 | 16 | Adjustment Plug |
| 20 | GB0409 | 2 | Spring Washer |
| 21 | GR0375 | 3 | Pin, 1" x 3 1/2" |
| 22 | GR0193 | 6 | Hair Pin Clip |
| 23 | GD24385-02 | 16 | Ribbon Sealer |
| 24 | G10026 | 2 | Hex Head Cap Screw, 3/4"-10 x 2" |
| 25 | G10014 | 32 | Hex Head Cap Screw, 1/2"-13 x 1" |
| 26 | G10004 | 2 | Hex Head Cap Screw, 3/8"-16 x 1 1/4" |
| 27 | G11847 | 1 | Bolt, 3/8"-16x2-3/4" |
| 28 | G10016 | 2 | Hex Head Cap Screw, 1/2"-13 x 2" |
| 29 | G10810 | 8 | Hex Head Cap Screw, 3/4"-10 x 3 1/2", Grade 8 |
| 30 | G11815 | 2 | Carriage Bolt, 7/16"-14 x 1-1/2", Grade 8 |
| 31 | G10113 | 2 | Lock Nut, 7/16"-14 |
| 32 | G10111 | 2 | Lock Nut, 1/2"-13 |
| 33 | G10108 | 4 | Lock Nut, 3/8"-16 |
| 34 | G10071 | 8 | Serrated Flange Nut, 1/2"-13 |
| 35 | G10105 | 8 | Hex Nut, 3/4"-10 |
| 36 | G11388 | 2 | Flat Washer, 7/16" |
| 37 | G10606 | 1 | Spring Pin, 1/4"x 2" |
| 38 | G10671 | 1 | Hairpin Cotter, 3/16" x 3 1/4" |
| 39 | G10939 | 1 | Hex Head Cap Screw, 3/8"-16 x 2 1/4" |
| 40 | G10636 | 8 | Carriage Bolt, 1/2"-13 x 1 1/2" |
| 41 | G11389 | 32 | Flat Washer, 1/2" Plated SAE |

(106159/A25913)



| ITEM | PART NO. | QTY. | DESCRIPTION |
|------|-----------|------|--|
| 1 | GD35713 | 1 | Light Bracket Mount |
| 2 | GA25776 | 1 | Tail Light |
| 3 | GA25775 | 1 | Brake/Stop/Turn Light |
| 4 | G7100-577 | 2 | Reflective Decal |
| 5 | GA25913 | 1 | L. H. Lighting |
| 6 | G10252301 | 2 | Rectangular Plug |
| 7 | GD35743 | 1 | Tube |
| 8 | G11556 | 4 | Phillips Pan Head Tapping Screw, 6-19 x 1/2" |
| 9 | G7100-578 | 1 | Decal, 20 KM/H |
| 10 | GD35729 | 1 | SMV Sign Mounting Bracket |
| 11 | GD2199 | 1 | SMV Sign |
| 12 | GA25914 | 1 | R. H. Lighting |
| 13 | GA25755 | 1 | Light Bracket, R.H. |
| 14 | GD13287 | 5 | U-Bolt, 1 1/2" x 2 1/2" x 1/2"-13 |
| 15 | GA25905 | 1 | Light Bracket, L.H. |
| 16 | G10071 | 12 | Serrated Flange Nut, 1/2"-13 |
| 17 | G10111 | 4 | Lock Nut, 1/2"-13 |
| 18 | G11389 | 6 | Flat Washer, 1/2" Plated SAE |
| 19 | GD11721 | 2 | U-Bolt, 5" x 7" x 1/2"-13 |
| 20 | G10064 | 2 | Hex Head Cap Screw, 1/4"-20 x 1" |
| 21 | G10621 | 2 | Serrated Flange Nut, 1/4"-20 |
| 22 | G10397 | 2 | Hex Head Cap Screw, 1/2"-13 x 2 3/4" |

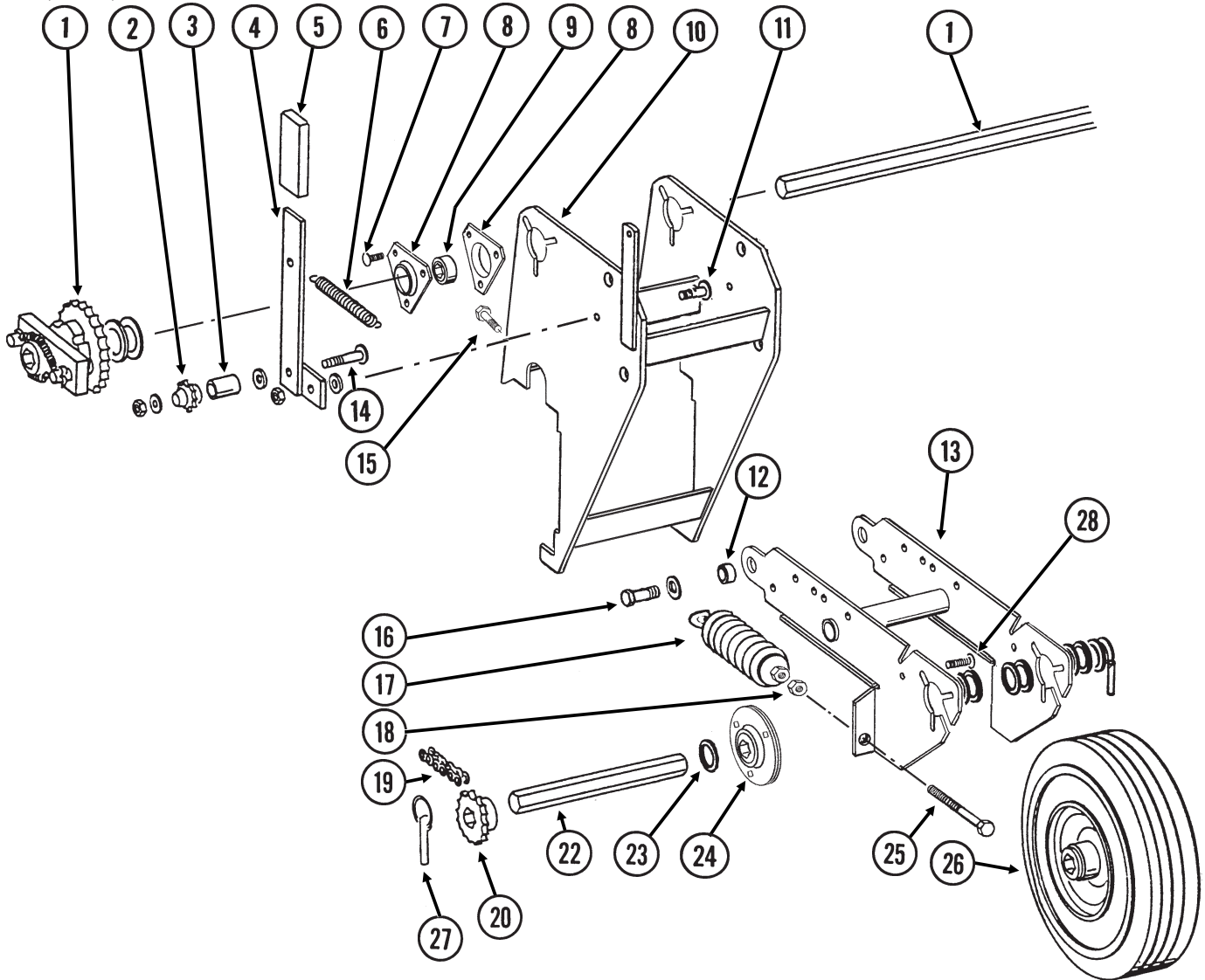
(106960)



| ITEM | PART NO. | QTY. | DESCRIPTION |
|------|-----------|------|--|
| 1 | G10693001 | 1 | Axle Wheel Arm, R. H. |
| 2 | G10692901 | 1 | Axle Center |
| 3 | G10692801 | 1 | Axle Wheel Arm, L. H. |
| 4 | G10928301 | 4 | Tire/Rim Assembly |
| 5 | GA4736 | 3 | Hub And Spindle Assembly |
| 6 | GA27032 | 1 | Hub And Spindle Assembly |
| 7 | GD18643 | 1 | Jump Start |
| 8 | G11392 | 28 | Flat Washer, 3/4" SAE |
| 9 | G10027 | 14 | Hex Head Cap Screw, 3/4"-10 x 2 1/2" |
| 10 | G10112 | 14 | Lock Nut, 3/4"-10 |
| 11 | G10330 | 8 | Lock Washer, 7/8" |
| 12 | G10441 | 8 | Hex Head Cap Screw, 7/8"-9 x 3", Grade 8 |
| 13 | G11254 | 8 | Serrated Flange Nut, 5/8"-18 |
| 14 | G11112001 | 4 | Scraper |
| 15 | GD14671 | 8 | U-Bolt, 3" x 3" x 5/8"-11 |
| 16 | G11391 | 16 | Flat Washer, 5/8" SAE |
| 17 | G10107 | 16 | Lock Nut, 5/8"-11 |

This page left blank intentionally.

PLA026(TWL5300)

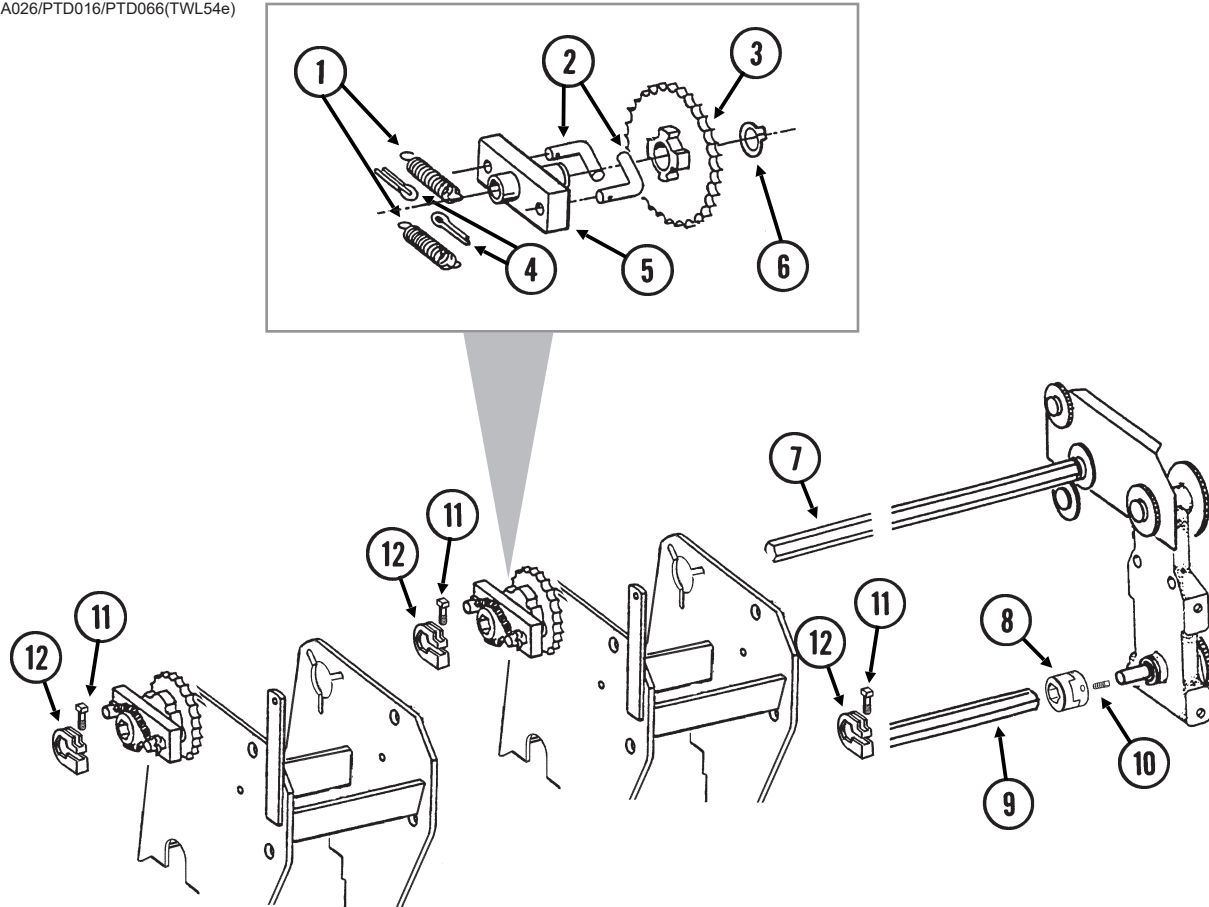


| ITEM | PART NO. | QTY. (Per Wheel) | DESCRIPTION |
|------|----------|---------------------|--|
| 1 | --- | - | See "Driveline" on page P144 |
| 2 | GD7426 | 1 | Sprocket, 12 Tooth |
| 3 | GD1026 | 1 | Sleeve, 1 ³ / ₁₆ " Long |
| 4 | GA5157 | 1 | Idler Arm, L.H. |
| 5 | GD5827 | 1 | Cover |
| 6 | GD5857 | 1 | Spring |
| 7 | G10303 | 3 | Carriage Bolt, 5 ¹ / ₁₆ "-18 x 1" |
| | G10620 | 3 | Serrated Flange Nut, 5 ¹ / ₁₆ "-18 |
| 8 | G3400-01 | 4 | Flangette |
| 9 | G2100-03 | 2 | Bearing, 7 ⁸ / ₁₆ " Hex Bore, Spherical |
| 10 | GA27095 | 1 | Contact Tire Arm Mount |
| 11 | G10004 | 1 | Hex Head Cap Screw, 3 ⁸ / ₁₆ "-16 x 1 ¹ / ₄ " |
| | G10229 | 1 | Lock Washer, 3 ⁸ / ₁₆ " |
| | G10370 | 1 | Machine Bushing, 3 ⁸ / ₁₆ ", 22 Gauge |
| | GD5756 | 1 | Special Nut, 3 ⁸ / ₁₆ "-16 |
| 12 | GB0218 | 2 | Bushing, 2 ¹ / ₃₂ " I.D. x 7 ⁸ / ₁₆ " O.D. x 1 ⁹ / ₃₂ " Long |

| ITEM | PART NO. | QTY. (Per Wheel) | DESCRIPTION |
|------|-------------|------------------------|---|
| 13 | A7369 | 1 | Wheel Arm (Non-Stock Item)(Sub G1K253) |
| 14 | G10306 | 1 | Carriage Bolt, 3/8"-16 x 2" |
| | G11387 | - | Flat Washer, 3/8" SAE (As Required) |
| | G10108 | 1 | Lock Nut, 3/8"-16 |
| 15 | G10004 | 2 | Hex Head Cap Screw, 3/8"-16 x 1 1/4" |
| | G10229 | 2 | Lock Washer, 3/8" |
| | G10101 | 2 | Hex Nut, 3/8"-16 |
| 16 | G10751 | 2 | Hex Head Cap Screw, 5/8"-18 x 1 3/4" |
| | G10235 | 6 | Machine Bushing, 7/8", 14 Gauge |
| | G11391 | 2 | Flat Washer, 5/8" SAE |
| | G10412 | 2 | Lock Nut, 5/8"-18 |
| 17 | GA2068 | 2 | Spring W/Plug |
| 18 | G10501 | 2 | Hex Jam Nut, 1/2"-13, Grade 2 |
| 19 | G3310-116 | 1 | Chain, No. 40, 116 Pitch Including Connector Link (Used With 15 And 19 Tooth Sprockets) |
| | G3310-124 | 1 | Chain, No. 40, 124 Pitch Including Connector Link (Used With 30 Tooth Sprocket) |
| | GR0912 | - | Connector Link, No. 40 |
| 20 | GA5105 | 1 | Sprocket, 15 Tooth |
| | GA5107 | - | Sprocket, 19 Tooth |
| | GA5114 | - | Sprocket, 30 Tooth |
| 21 | G10602 | 1 | Spring Pin, 1/4" x 1 1/2" |
| 22 | GD6825-10.5 | 1 | Hex Shaft, 7/8" x 10 1/2" (2 Holes) |
| 23 | G10233 | 6 | Machine Bushing, 1 1/2" x 1/2", 10 Gauge |
| 24 | GA9846 | - | Flanged Bearing, 7/8" Hex Bore |
| 25 | G10890 | 2 | Hex Head Adjusting Bolt, 1/2"-13 x 4", Grade 2 |
| 26 | GA5090 | - | Tire And Rim Assembly (Specify Brand*) |
| | GD5753 | 1 | Tire, 4.10" x 6" (Specify Brand*) (Included W/GA5090) |
| | GD5752 | 1 | Inner Tube (Included W/GA5090) |
| 27 | GD2558 | 1 | Lynch Pin, 1/4" |
| 28 | G10303 | - | Carriage Bolt, 5/16"-18 x 1" |
| | G10232 | - | Lock Washer, 5/16" |
| | G10106 | 6 | Hex Nut, 5/16"-18 |
| A | G1K253 | - | Contact Wheel Arm Replacement Kit (Items 13, 18, 21, 22, 24, 25, 27 And 28) |

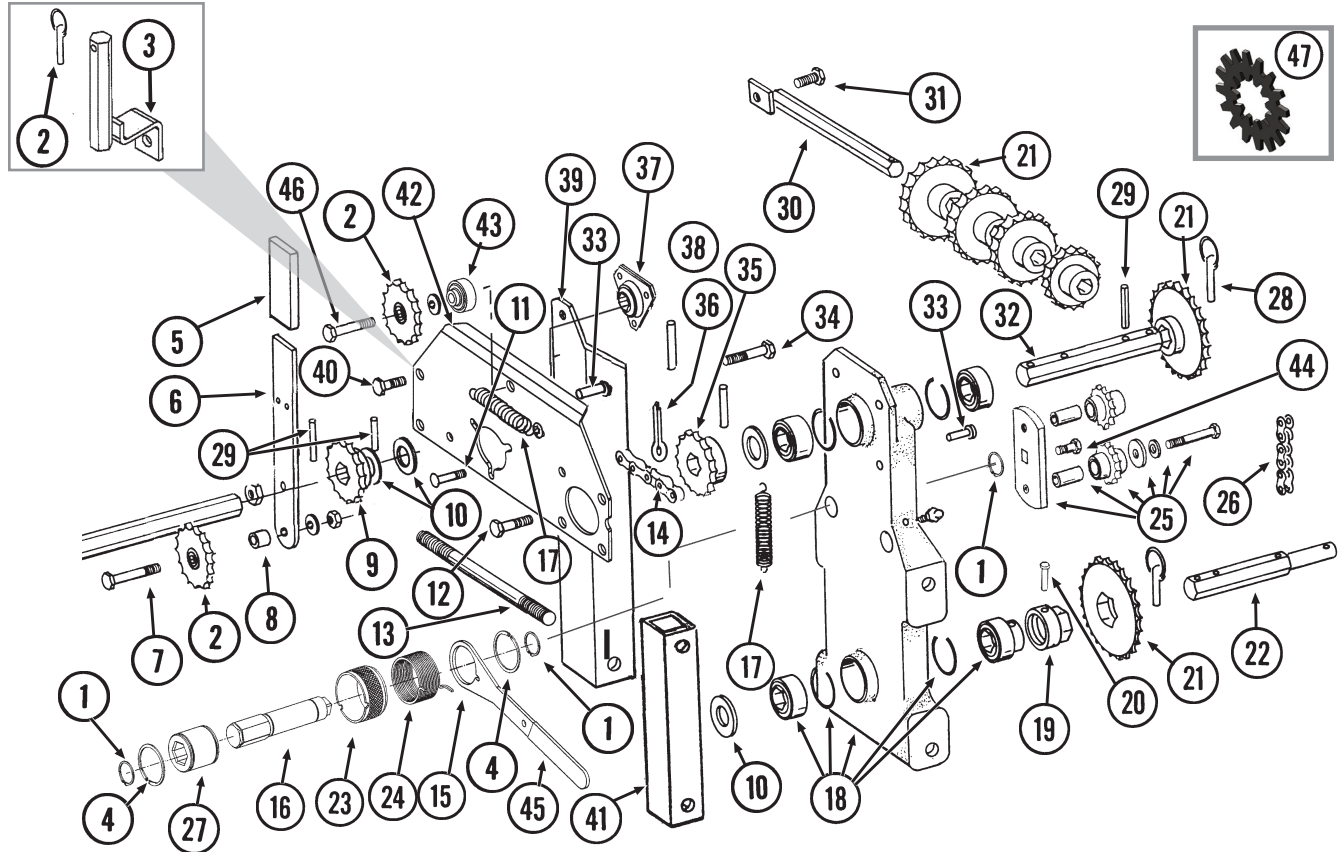
***Specific brand requests will be supplied only as available from current Kinze Repair Parts stock. If a specific brand requested is not in stock, the brand available will be supplied. Different brand tires may have different diameters. Change in tire brand may affect rates. Field checks are recommended after any change in contact tires.**

PTD033/PLA026/PTD016/PTD066(TWL54e)



| ITEM | PART NO. | QTY. (Per Planter) | DESCRIPTION |
|------|------------|--------------------------|---|
| 1 | GD1256 | 4 | Spring |
| 2 | GD1255 | 4 | L-Pin |
| 3 | GA5165 | 2 | Sprocket, 30 Tooth |
| 4 | G10453 | 4 | Cotter Pin, 3/16" x 1" |
| 5 | GA0378 | 2 | Block And Hub Assembly |
| 6 | G10430 | 2 | External Retaining Ring, 1 1/4" |
| 7 | GD35678 | - | Hex Shaft, 7/8" x 98" |
| 8 | GB0287 | 2 | Coupler |
| 9 | GD0914-210 | - | Hex Shaft, 7/8" x 210" |
| 10 | G10131 | 4 | Square Head Set Screw, 5/16"-18 x 3/4" |
| 11 | G10130 | - | Square Head Machine Bolt, 5/16"-18 x 1 3/4" |
| | G10923 | - | Flange Nut, 5/16"-18, No Serration |
| 12 | GD11045 | - | Lock Clamp |
| A | GA5164 | - | Ratchet/Sprocket Assembly (Items 1-6) |
| B | G1K269 | - | Lock Clamp Kit (Items 11 And 12) |

(METR34aa/PT8mmPT8LL)



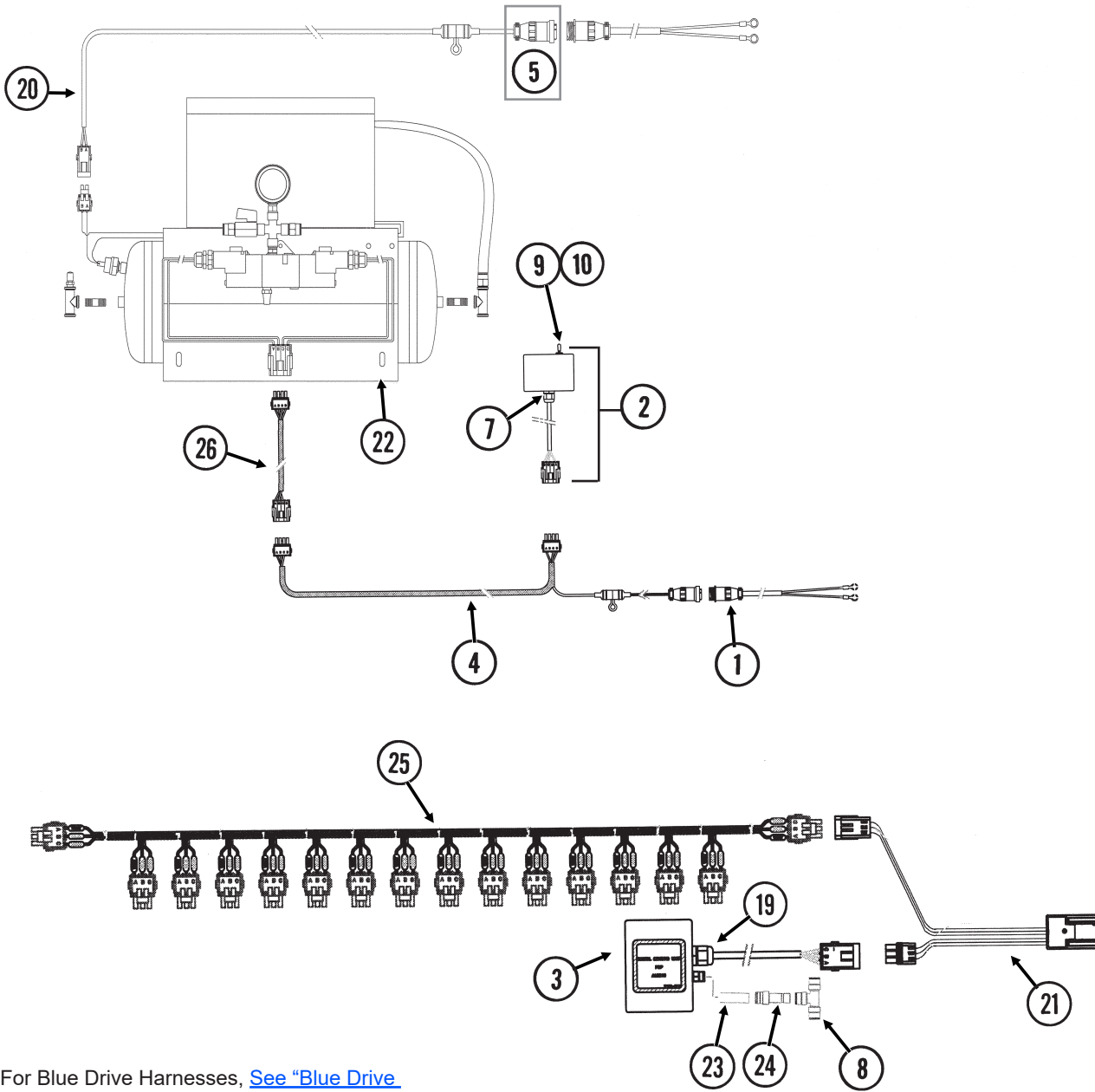
| ITEM | PART NO. | QTY. | DESCRIPTION |
|------|-----------|------|--|
| 1 | G11075 | 3 | Internal Inverted Snap Ring, 7/8" |
| 2 | GD2558 | - | Lynch Pin, 1/4" |
| 3 | GA12178 | 1 | Additional Sprocket Storage Rod (Vacuum) See Item No. 21 for Sprockets |
| | G11389 | 2 | Flat Washer, 1/2" Plated SAE |
| | G10017 | 1 | Hex Head Cap Screw, 1/2"-13 x 1 1/2" |
| | G10111 | 1 | Lock Nut, 1/2"-13 |
| | G10527 | 1 | Lock Washer, 1/2" Internal/External |
| 4 | G10496 | 2 | External Inverted Snap Ring, 1 1/2" |
| 5 | GD5827 | 1 | Cover |
| 6 | GD31450 | 1 | Arm |
| 7 | G10053 | 1 | Hex Head Cap Screw, 1/2"-13 x 2 1/2" |
| | G10128 | - | Machine Bushing, 1/2", 14 Gauge (As Required) |
| | G10228 | 1 | Lock Washer, 1/2" |
| | G10102 | 1 | Hex Nut, 1/2"-13 |
| 8 | GD4887-01 | 1 | Sleeve, 1/2" I.D. x 5/8" Long |
| 9 | GA5105 | 1 | Sprocket, 15 Tooth |
| 10 | G10233 | - | Machine Bushing, 1", 10 Gauge |
| 11 | G10303 | 3 | Carriage Bolt, 5/16"-18 x 1" |
| | G10620 | 3 | Serrated Flange Nut, 5/16"-18 |
| 12 | G10037 | 3 | Hex Head Cap Screw, 1/2"-13 x 1 1/4" |
| | G10228 | 3 | Lock Washer, 1/2" |
| | G10102 | 3 | Hex Nut, 1/2"-13 |

Continued on the next page.

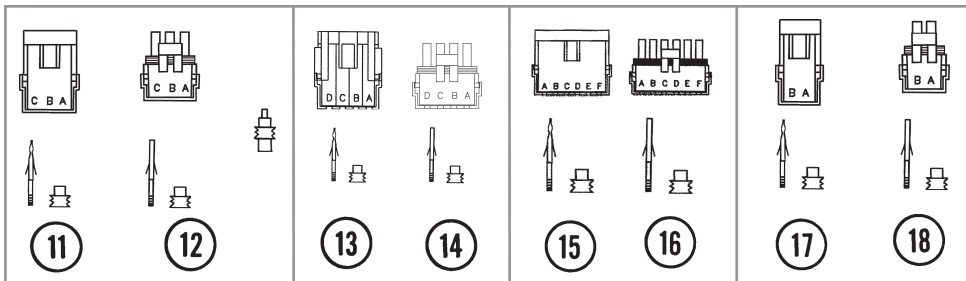
| ITEM | PART NO. | QTY. | DESCRIPTION |
|------|-----------|------|--|
| 13 | G10177 | 2 | Hex Head Cap Screw, 5/8"-11 x 9 1/2" |
| | G10230 | 2 | Lock Washer, 5/8" |
| | G10104 | 2 | Hex Nut, 5/8"-11 |
| 14 | G3310-92 | 1 | Chain, No. 40, 92 Pitch Including Connector Link |
| | G3310-108 | - | Chain, No. 40, 108 Pitch Including Connector Link (Twin Row only) |
| | GR0912 | - | Connector Link, No. 40 |
| 15 | GD14431 | 1 | Handle |
| 16 | GD14427 | 1 | Tightener Shaft, 4 7/8" |
| 17 | GD5857 | 2 | Spring |
| 18 | GA5629 | 1 | Transmission Plate W/Bearings, Grease Fittings And Retaining Rings |
| | GA5116 | 3 | Bearing, 7/8" Hex Bore, Cylindrical (Included W/GA5629) |
| | GA5624 | 1 | Special Bearing, 7/8" Hex Bore x 1.6" (Included W/GA5629) |
| | GD6551 | 4 | Ring (Included W/GA5629) |
| | G10641 | - | Grease Fitting, 1/8" NPT (Included W/GA5629) |
| 19 | GD7127 | 1 | Shear Coupler |
| 20 | G10821 | 1 | Clevis Pin, 3/16" x 2" |
| | G10455 | - | Cotter Pin, 1/16" x 1/2" |
| 21 | GA5105 | 1 | Sprocket, 15 Tooth (Vacuum) |
| | GA5106 | 1 | Sprocket, 17 Tooth (Vacuum) |
| | GA5107 | 1 | Sprocket, 19 Tooth (Vacuum) |
| | GA5108 | 2 | Sprocket, 23 Tooth |
| | GA5109 | 1 | Sprocket, 24 Tooth |
| | GA5110 | 1 | Sprocket, 25 Tooth |
| | GA5111 | 1 | Sprocket, 26 Tooth |
| | GA5112 | 1 | Sprocket, 27 Tooth |
| | GA5113 | 1 | Sprocket, 28 Tooth |
| | GA5114 | 2 | Sprocket, 30 Tooth (Vacuum) |
| 22 | GD7822 | 1 | Shaft, 7/8" x 7" |
| 23 | GD19343 | 1 | Release Collar, Gold, R.H. |
| 24 | GD14413 | 1 | Torsion Spring, L.H. (Used On R.H. Wrap Spring Wrench) |
| 25 | GA7336 | 1 | Idler W/Bolt-On Sprockets |
| | GD7426 | - | Sprocket, 12 Tooth (Included W/GA7336) |
| | GD1026 | - | Sleeve, 1 3/16" Long (Included W/GA7336) |
| | G11387 | - | Flat Washer, 3/8" SAE (Included W/GA7336) |
| | G10229 | - | Lock Washer, 3/8" (Included W/GA7336) |
| | G10047 | - | Hex Head Cap Screw, 3/8"-16 x 1 3/4" (Included W/GA7336) |
| 26 | G3310-80 | 1 | Chain, No. 40, 80 Pitch Including Connector Link |
| | GR0912 | - | Connector Link, No. 40 |
| 27 | GD14432 | 1 | Sleeve, 1 1/4" |
| 28 | GD2558 | 3 | Lynch Pin, 1/4" |
| 29 | G10602 | 5 | Spring Pin, 1/4" x 1 1/2" |
| 30 | GA5146 | 1 | Sprocket Storage Rod |
| 31 | G10017 | 1 | Hex Head Cap Screw, 1/2"-13 x 1 1/2" |
| | G10527 | 1 | Lock Washer, 1/2" Internal/External |
| | G10111 | 1 | Lock Nut, 1/2"-13 |
| 32 | GD5835 | 1 | Shaft, 7/8" x 7" |
| 33 | G10870 | 1 | Clevis Pin, 3/8" x 1" |
| | G10860 | 1 | Retaining Ring, 3/8" |
| 34 | G10004 | 1 | Hex Head Cap Screw, 3/8"-16 x 1 1/4" |
| | G10229 | 1 | Lock Washer, 3/8" |
| | G10203 | - | Washer, 3/8" SAE (As Required) |
| | GD15538 | - | Spacer, 3/8" I.D. x 7/8" O.D., 7 Gauge |
| | GD5756 | 1 | Special Nut, 3/8"-16 |
| 35 | GA5108 | - | Sprocket, 23 Tooth, (Vacuum) |
| | GA6514 | - | Sprocket, 46 Tooth, (Twin Row only) |

| ITEM | PART NO. | QTY. | DESCRIPTION |
|------|----------|------|--|
| 36 | G10460 | 1 | Cotter Pin, ¼" x 2" |
| 37 | GA7841 | 1 | Bearing, ⅝" Hex Bore, Spherical |
| 38 | G3400-01 | 2 | Flangette |
| 39 | GD5830 | 1 | Angle Support, R.H. |
| 40 | G10017 | 2 | Hex Head Cap Screw, ½"-13 x 1½" |
| | G10228 | 2 | Lock Washer, ½" |
| | G10102 | 2 | Hex Nut, ½"-13 |
| 41 | GD9047 | 1 | Spacer |
| 42 | GD16302 | - | Reverser Plate |
| 43 | GB0259 | - | Spacer, 1" |
| 44 | G11100 | 1 | Hex Socket Button Head Cap Screw, ¼"-20 x ½", Grade 8 |
| | G10227 | 1 | Lock Washer, ¼" |
| | G11453 | 1 | Fender Washer, ¼" |
| 45 | G11078 | 1 | Vinyl Cap |
| 46 | G10038 | 1 | Hex Head Cap Screw, ½"-13 x 3" |
| | G10128 | - | Machine Bushing, ½", 14 Gauge (As Required) |
| | G10228 | 1 | Lock Washer, ½" |
| | G10102 | 1 | Hex Nut, ½"-13 |
| 47 | G10527 | 1 | Lock Washer, ½" Internal/External |
| A | G1K378 | 1 | Wrap Spring Wrench Replacement Kit, Gold Collar, R.H. (Items 1, 4, 15, 16, 23, 24, 27, 44, And 45) |

(PNE01/MTR27a/ELC27b/MTR45/MTR27t)

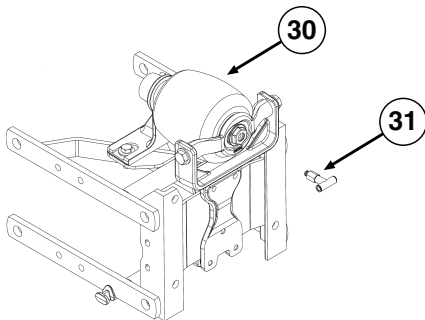
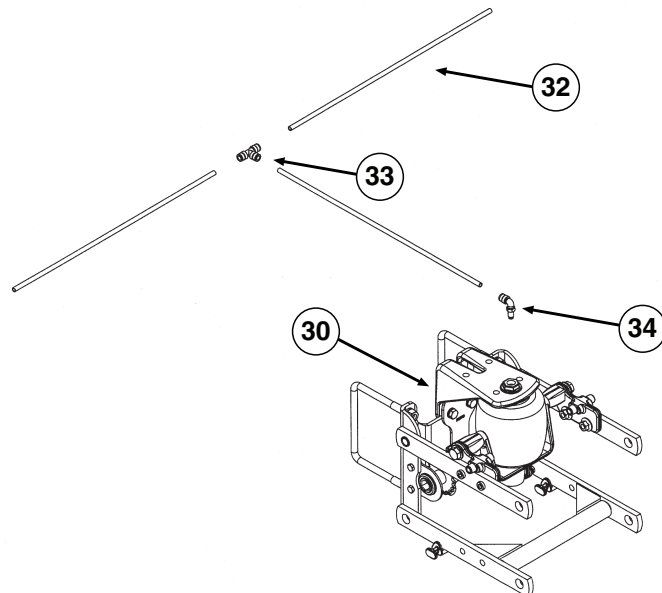
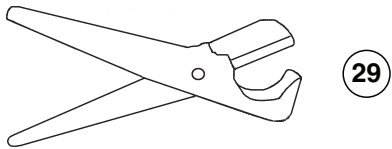
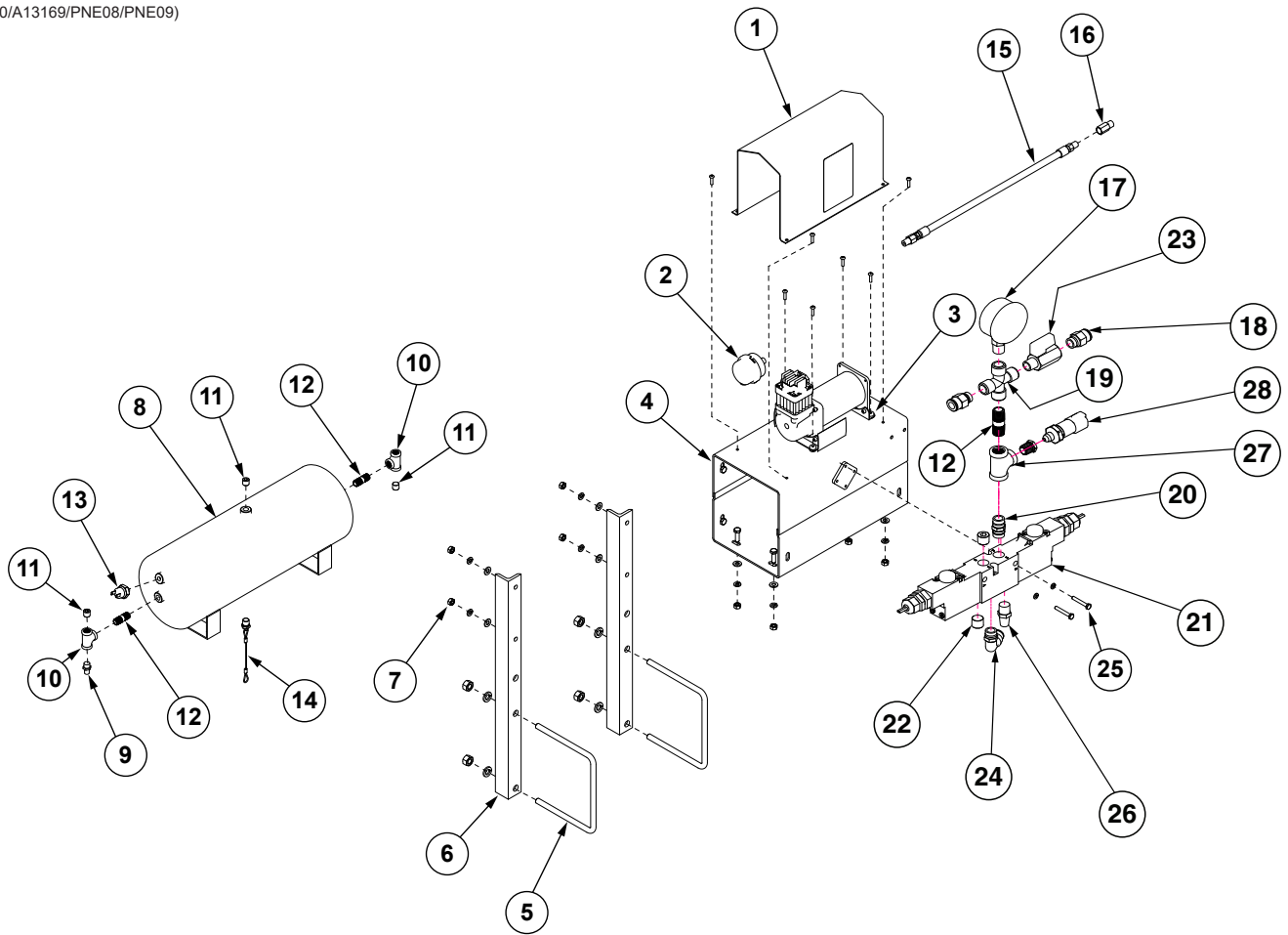


For Blue Drive Harnesses, [See “Blue Drive Interconnect” on page P222](#)



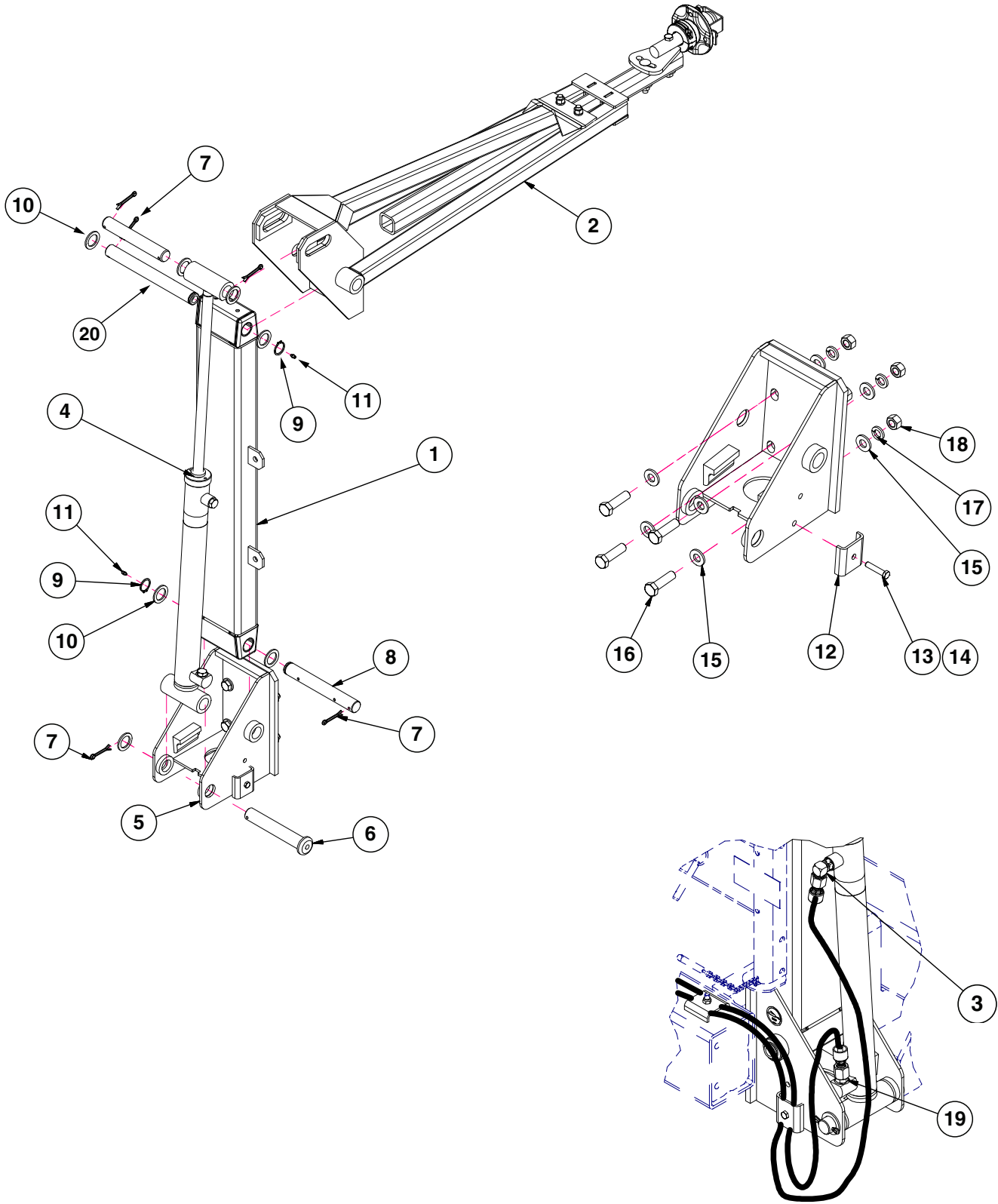
| ITEM | PART NO. | QTY. | DESCRIPTION |
|------|------------|------|---|
| 1 | GA17547 | 2 | Power Lead Adapter |
| 2 | GA12813 | 1 | Control Console Assembly |
| 3 | GA14846 | 1 | Sending Unit |
| 4 | GA13944 | 1 | Wiring Harness W/Fuse Holder And Fuse, 206" (Ground Contact Drive) |
| | GD14258 | - | Fuse Holder (Included W/GA12645) |
| | GD14660 | - | Fuse, 2 Amp Delay Action (Included W/GA12645) |
| 5 | G1K268 | - | Console Cable Connector Kit, Includes: (1) 3-Pin Connector, (1) Cable Clamp, (1) Lock Ring, (3) Female Terminal Pins |
| 6 | --- | - | --- |
| 7 | GA9963 | 1 | Strain Relief |
| 8 | GD18010 | 1 | Tee, 3/8" Tube Union |
| 9 | GR1363 | 1 | Hex Face Nut, 1 5/32"-32 |
| 10 | GA6978 | 1 | Switch, 3 Position Toggle, ON-OFF-ON |
| 11 | G1K248 | - | 3-Pin Female Connector Kit (Black), Includes: (3) 3-Pin Female Housings, (9) Pin Contacts, (9) Seals |
| 12 | G1K252 | - | 3-Pin Male Connector Kit (Black), Includes: (3) 3-Pin Male Housings, (9) Socket Contacts, (9) Seals |
| 13 | GA8328 | - | 4-Pin Female Connector Kit, Includes: (1) 4-Pin Female Housing, (4) Pin Contacts, (4) Seals |
| 14 | GA8329 | - | 4-Pin Male Connector Kit, Includes: (1) 4-Pin Male Housing, (4) Socket Contacts, (4) Seals |
| 15 | G1K396 | - | 6-Pin Female Connector Kit (Black), Includes: (3) 6-Pin Female Housings, (18) Pin Contacts, (18) Seals |
| 16 | G1K395 | - | 6-Pin Male Connector Kit (Black), Includes: (3) 6-Pin Male Housings, (18) Socket Contacts, (18) Seals |
| 17 | G1K321 | - | 2-Pin Female Connector Kit (Black), Includes: (3) 2-Pin Female Housings, (6) Pin Contacts, (6) Seals |
| 18 | G1K320 | - | 2-Pin Male Connector Kit (Black), Includes: (3) 2-Pin Male Housings, (6) Socket Contacts, (6) Seals |
| 19 | GA9964 | 2 | Strain Relief |
| 20 | GA16391 | 1 | Compressor Harness, 40' |
| 21 | GA12812 | 1 | Hall Effect Adapter |
| 22 | --- | - | See "Pneumatic Down Pressure Air Compressor, Dual Solenoid Assembly, Tubing, and Fittings" on page P150 |
| 23 | GD17151-06 | 1 | Nylon Tubing, 1/4" O. D. x 1 1/2" |
| 24 | GD18796 | 1 | Reducer, 3/8" To 1/4" |
| 25 | --- | - | See "KPM III Electronic Seed Monitor" on page P206 |
| 26 | GA12858 | 1 | Wiring Harness, 60' |

(IP1280/A13169/PNE08/PNE09)



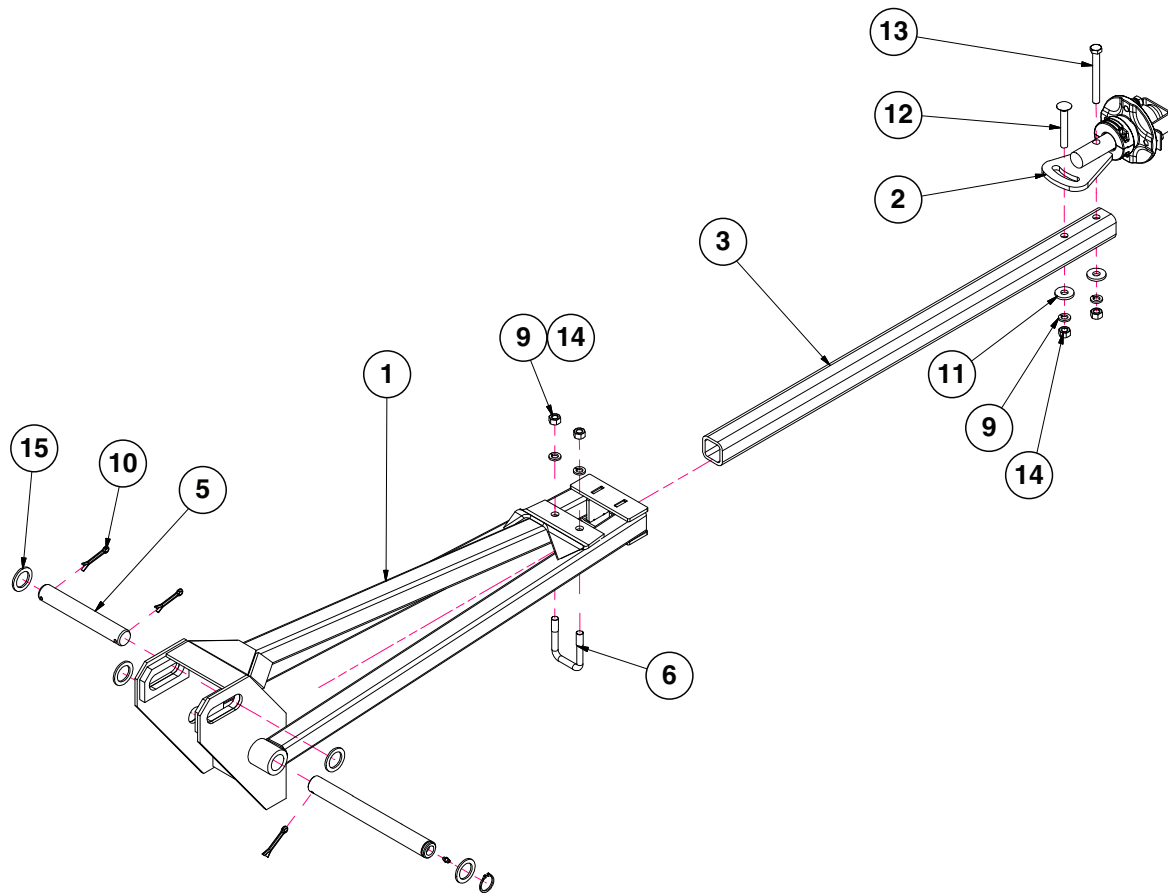
| ITEM | PART NO. | QTY. | DESCRIPTION |
|------|------------|------|--|
| 1 | GD18112 | 1 | Cover |
| | G11066 | 8 | Phillips Pan Head Machine Screw, No. 10-24 x ¾", Stainless Steel |
| | G10992 | 8 | Serrated Flange Nut, No. 10-24 |
| | G10371801 | 2 | Tank Drain Decal |
| 2 | GA14127 | 1 | Filter Assembly |
| | GR1943 | 1 | Filter (Included W/GA14127) |
| 3 | GA22273 | 1 | Air Compressor |
| | G11066 | 4 | Phillips Pan Head Machine Screw, No. 10-24 x ¾", Stainless Steel |
| | G10992 | 4 | Serrated Flange Nut, No. 10-24 |
| 4 | GA12358 | 1 | Mount |
| | G10019 | 4 | Hex Head Cap Screw, 5/16"-18 x 1" |
| | G10232 | 4 | Lock Washer, 5/16" |
| | G11386 | 4 | Flat Washer, 5/16" SAE |
| | G10106 | 4 | Hex Nut, 5/16"-18 |
| 5 | GD11721 | 2 | U-Bolt, 5" x 7" x ½"-13 |
| | G10228 | 4 | Lock Washer, ½" |
| | G10102 | 4 | Hex Nut, ½"-13 |
| 6 | GD18119 | 2 | Compressor Mount |
| 7 | G10106 | 4 | Hex Nut, 5/16"-18 |
| | G10232 | 4 | Lock Washer, 5/16" |
| | G11386 | 4 | Flat Washer, 5/16" SAE |
| | G10019 | 4 | Hex Head Cap Screw, 5/16"-18 x 1" |
| 8 | GA11988 | 1 | Tank, 3 Gallon |
| 9 | GA13512 | 1 | Valve Stem, ¼" NPT |
| 10 | GD19237 | 2 | Tee, ¼" NPT |
| 11 | GD17156 | 3 | Plug, ¼" NPT |
| 12 | GD19238 | 2-3 | Nipple, ¼" NPT (Blue Drive Only in the Solenoid Assembly (Items 17-28)) |
| 13 | GR1778 | 1 | Pressure Switch |
| 14 | GA11991 | 1 | Drain, ¼" NPT |
| 15 | GR1951 | 1 | Leader Hose without Check Valve |
| 16 | GR1921 | 1 | Check Valve |
| 17 | GA12104 | 1 | Pressure Gauge |
| 18 | GD17141 | 2 | Connector, ¼" Male |
| 19 | GD18078 | 1 | Female Cross, ¼" NPT |
| 20 | GD17154 | 1 | Connector, ¼" Male |
| 21 | GA22793 | 1 | Dual Solenoid Assembly |
| 22 | GD17156 | 2 | Plug, ¼" NPT |
| 23 | GA11992 | 1 | Shutoff Valve, ¼" NPT |
| 24 | GD17143 | 1 | Swivel Elbow, ¼" NPT x ⅜" |
| 25 | G10040 | 2 | Hex Head Cap Screw, ¼"-20 x 1¾" |
| | G10227 | 2 | Lock Washer, ¼" |
| 26 | GA11997 | 1 | Breather, ¼" NPT |
| 27 | GD19237 | 1 | Tee, Galvanized, 1/4" NPT x NPT (Blue Drive Only) |
| 28 | GA14804 | 1 | Pressure Sensor (0-120 PSI) (Blue Drive Only) |
| | GD18041 | 1 | Bushing, Hex, 1/4" Male NPT x 1/8" Female NPT (Blue Drive Only) |
| 29 | GA13169 | 1 | Tube Cutter W/Blade |
| | GR1843 | - | Blade |
| 30 | --- | - | See "Parallel Arms, Mounting Support Plate, and Quick Adjustable Down Force Springs Option" on page P5 |
| 31 | GD18274 | - | Tee, ⅜" x ⅜" NPT Extended, Push Row Unit |
| 32 | GD17150-02 | - | Nylon Tubing, ⅜" O.D. x 44', 8 Row Pull Row Units |
| | GD17150-10 | - | Nylon Tubing, ⅜" O.D. x 40', 7 Row Push Row Units |
| | GD17150-12 | - | Nylon Tubing, ⅜" O.D. x 5', Even-Row Push Row Unit |
| 33 | GD18010 | - | Tee, ⅜" Tube Union |
| 34 | GD18011 | - | Elbow, ⅜" x ⅜" NPT Extended |
| 35 | GR2233 | - | Vibration Isolator Gromet, 4 Pack |
| A | GA12626 | 1 | Air Compressor Assembly (Items 1-4, 8-14) |
| B | GA22793 | - | Valve Seal Kit |

(A25727)



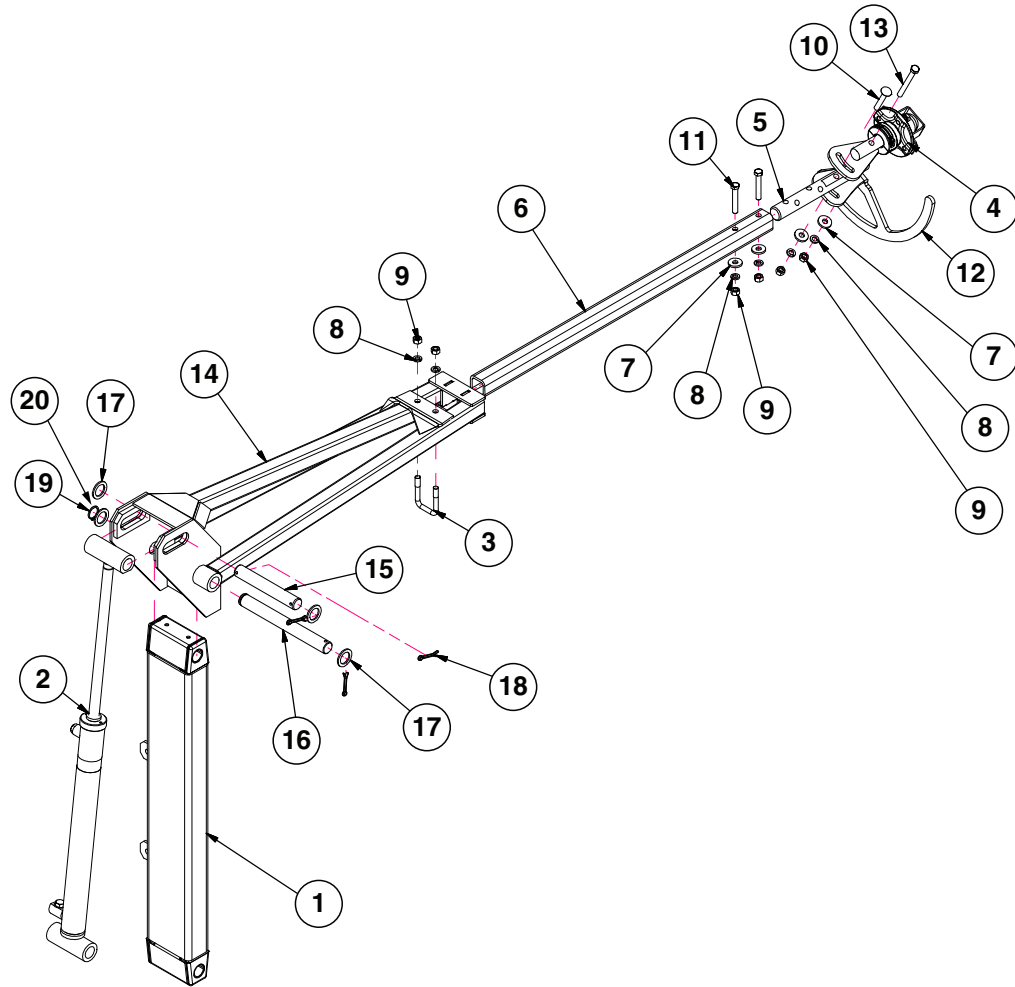
| ITEM | PART NO. | QTY. (Per Marker) | DESCRIPTION |
|------|----------|-------------------------|---|
| 1 | GA26527 | 1 | 1st Stage Marker, R.H. |
| | GA26528 | - | 1st Stage Marker, L.H. |
| | GD11751 | 4 | Bushing |
| 2 | --- | - | See "Row Marker Spindle/Hub/Blade" on page P158 |
| 3 | G6801-08 | 2 | Elbow W/O-Ring, 90°, 3/4"-16 Male JIC To O-Ring |
| 4 | --- | - | See "Row Marker Cylinder" on page P166 |
| 5 | GA6859 | 1 | Marker Mount |
| 6 | GD15386 | 1 | Pin, 1 1/4" x 7 5/8" |
| 7 | G10460 | 3 | Cotter Pin, 1/4" x 2" |
| 8 | GD21143 | 1 | Marker Pin, 1 1/4" x 9 1/2" |
| 9 | G11400 | 2 | Retaining Ring, 1 1/4" |
| 10 | G10159 | 7 | Washer, 1 7/8", 10 Gauge (.1345") |
| 11 | G10640 | 2 | Grease Fitting, 1/4"-28 |
| 12 | GD5875 | 1 | Hose Clamp, 9/16" x 2 1/2" x 2" |
| 13 | G10047 | 1 | Hex Head Cap Screw, 3/8"-16 x 1 3/4" |
| 14 | G10108 | 1 | Lock Nut, 3/8"-16 |
| 15 | G11391 | 8 | Flat Washer, 5/8" SAE |
| 16 | G10006 | 4 | Hex Head Cap Screw, 5/8"-11 x 2 1/4" |
| 17 | G10230 | 4 | Lock Washer, 5/8" |
| 18 | G10104 | 4 | Hex Nut, 5/8"-11 |
| 19 | G6400-08 | 2 | Adapter, 3/4-16 JIC, 3/4-16 O-Ring |
| 20 | GD21142 | 1 | Marker Pin, 1 1/4" x 13/16" |

(A26522)



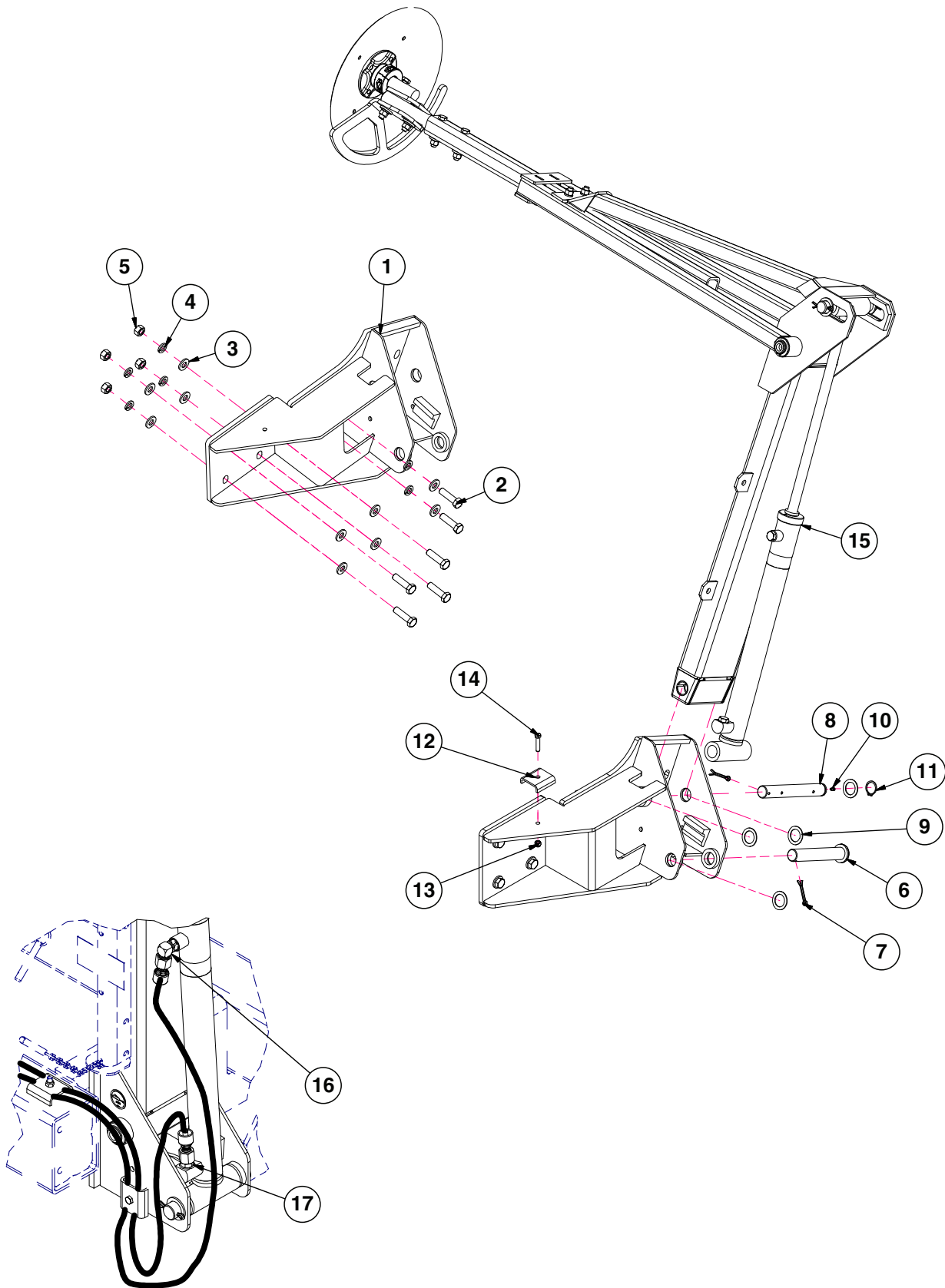
| ITEM | PART NO. | QTY. (Per Marker) | DESCRIPTION |
|------|----------|-------------------------|---|
| 1 | GA25919 | 1 | 2nd Stage Marker Arm |
| 2 | --- | - | See "Row Marker Spindle/Hub/Blade" on page P158 |
| 3 | D0453-02 | 1 | Extension Tube, 40" (101,6 cm) |
| - | --- | - | --- |
| 5 | GD2161 | 1 | Pin, 1 1/4" x 8 1/4" |
| 6 | GD2721 | 1 | U-Bolt, 2" x 2" x 1/2"-13 |
| - | --- | - | --- |
| - | --- | - | --- |
| 9 | G10228 | 4 | Lock Washer, 1/2" |
| 10 | G10460 | 2 | Cotter Pin, 1/4" x 2" |
| 11 | G10168 | 2 | Machine Bushing, 1/2", 7 Gauge (.1793") |
| 12 | G10844 | 1 | Carriage Bolt, 1/2"-13 x 3 1/2" |
| 13 | G10045 | 1 | Hex Head Cap Screw, 1/2"-13 x 4 1/2" |
| 14 | G10102 | 4 | Hex Nut, 1/2"-13 |
| 15 | G10159 | 2 | Washer, 1 7/8", 10 Gauge (.1345") |

(A25731)



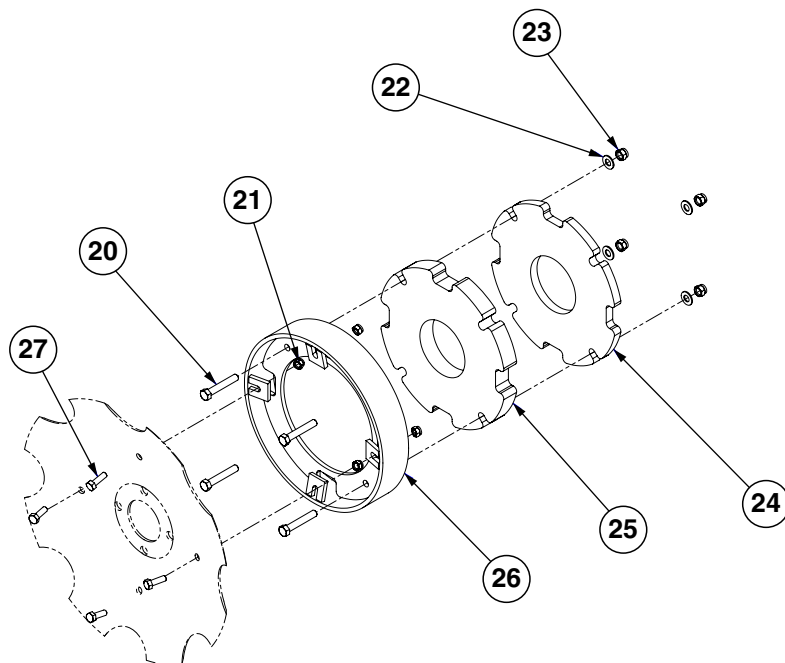
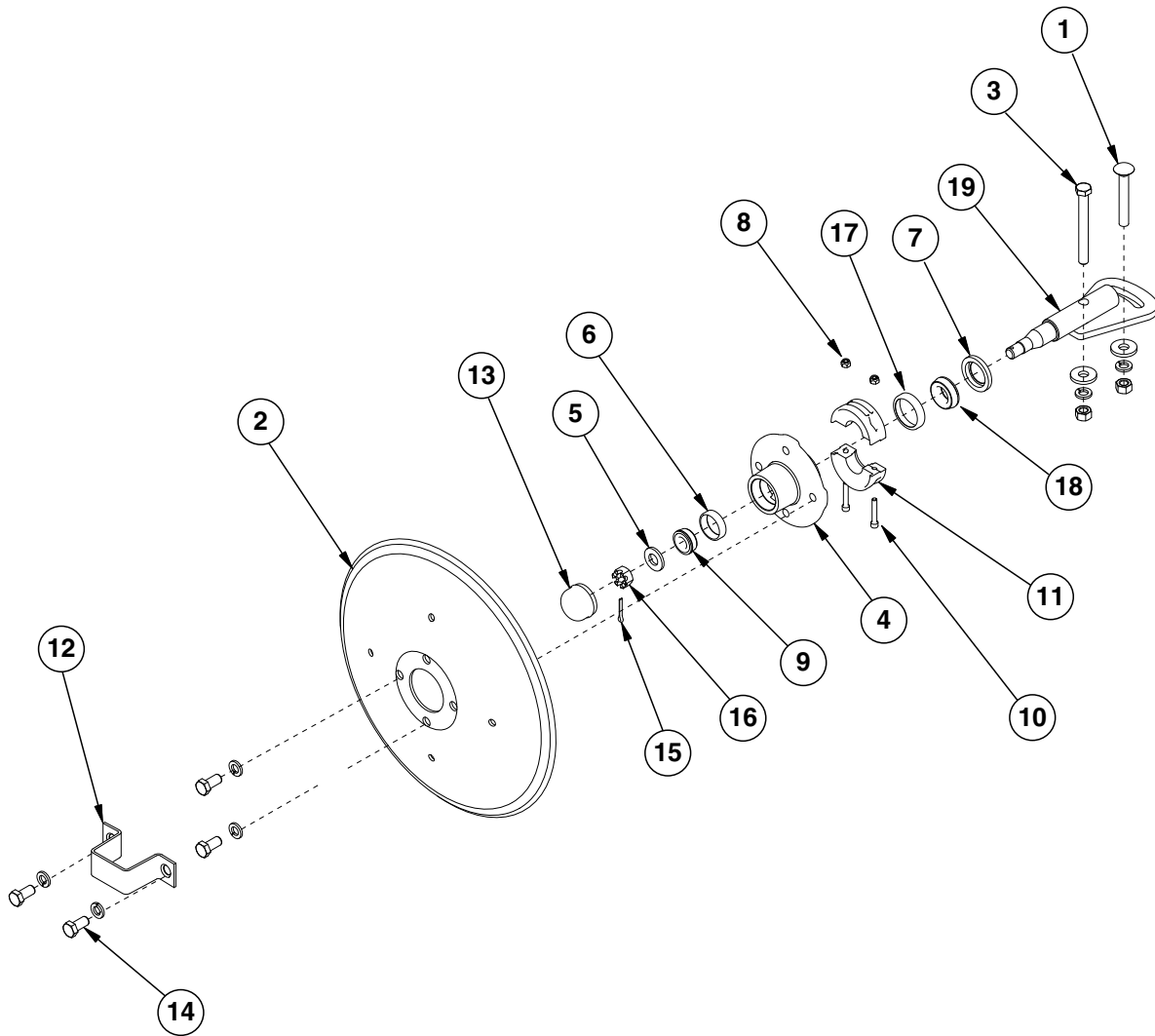
| ITEM | PART NO. | QTY. (Per Marker) | DESCRIPTION |
|------|--------------------|-------------------------|---|
| 1 | GA26528 GA26527 | 1 - | 1st Stage Marker, L.H. 1st Stage Marker, R.H. |
| 2 | --- | - | See "Row Marker Cylinder" on page P166 |
| 3 | GD2721 | 1 | U-Bolt, 2" x 2" x 1/2"-13 |
| 4 | --- | - | See "Row Marker Spindle/Hub/Blade" on page P158 |
| 5 | GD34287 | 1 | Marker Mount |
| 6 | GD0453-02 | 1 | Extension Tube, 40" |
| 7 | G10168 | 4 | Machine Bushing, 1/2", 7 Gauge (.1793") |
| 8 | G10228 | 6 | Lock Washer, 1/2" |
| 9 | G10102 | 6 | Hex Nut, 1/2"-13 |
| 10 | G10314 | 1 | Carriage Bolt, 5/16"-18 x 3/4" |
| 11 | G10038 | 2 | Hex Head Cap Screw, 1/2"-13 x 3" |
| 12 | GD34763 | 1 | Bump Plate Guard |
| 13 | G10045 | 1 | Hex Head Cap Screw, 1/2"-13 x 4 1/2" |
| 14 | GA25919 | 1 | 2nd Stage Marker Arm |
| 15 | GD2161 | 1 | Pin, 1 1/4" x 8 1/4" |
| 16 | GD21142 | 1 | Marker Pin, 1 1/4" x 13/16" |
| 17 | G10159 | 4 | Washer, 1 7/8", 10 Gauge (.1345") |
| 18 | G10460 | 3 | Cotter Pin, 1/4" x 2" |
| 19 | G11400 | 1 | Retaining Ring, 1 1/4" |
| 20 | G10640 | 1 | Grease Fitting, 1/4"-28 |

(A25729)



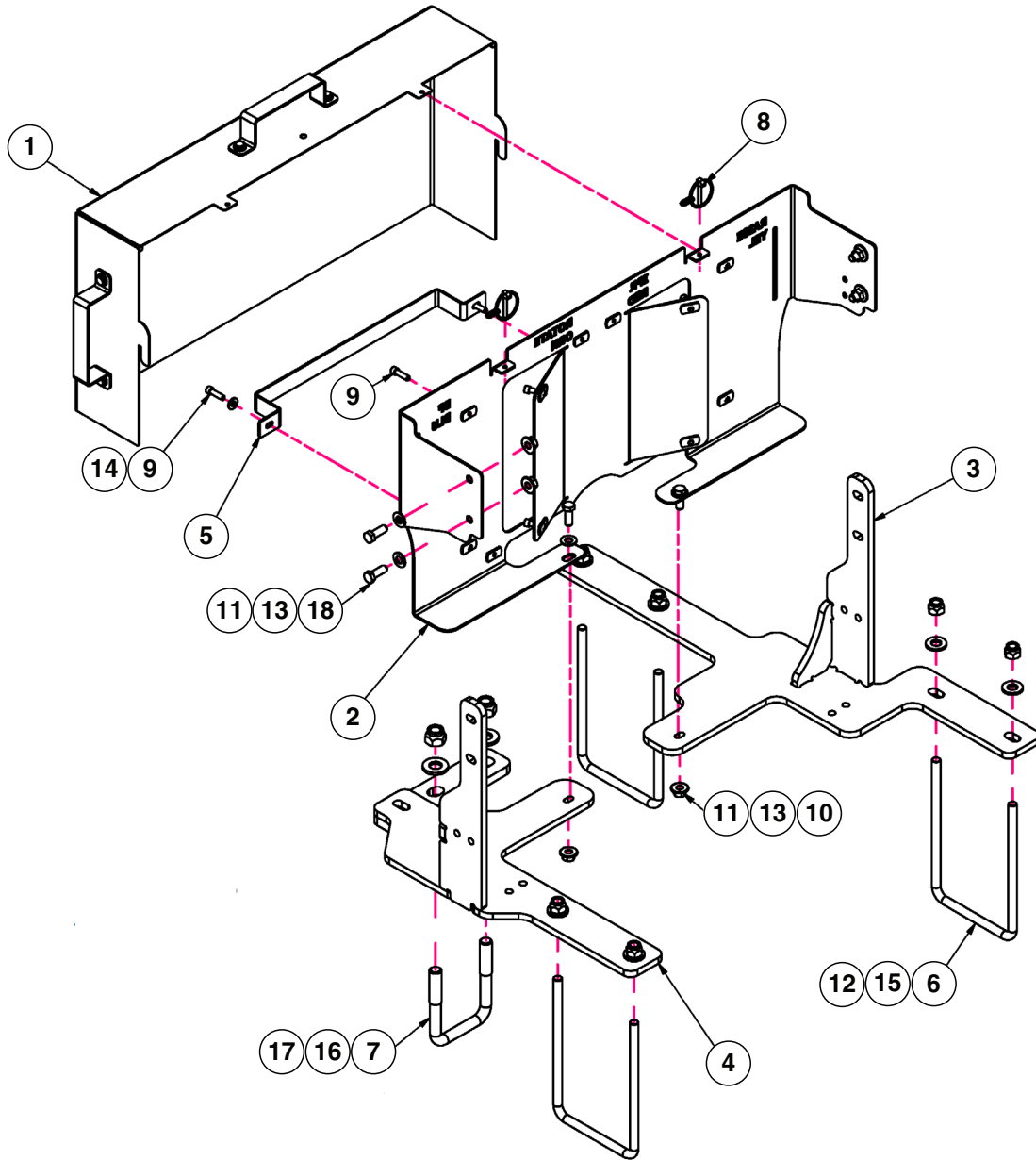
| ITEM | PART NO. | QTY. (Per Marker) | DESCRIPTION |
|------|----------|-------------------------|--|
| 1 | GA24513 | 1 | Marker Mount |
| 2 | G10006 | 6 | Hex Head Cap Screw, 5/8"-11 x 2 1/4" |
| 3 | G11391 | 10 | Flat Washer, 5/8" SAE |
| 4 | G10230 | 6 | Lock Washer, 5/8" |
| 5 | G10104 | 4 | Hex Nut, 5/8"-11 |
| 6 | GD15386 | 1 | Pin, 1 1/4" x 7 5/8" |
| 7 | G10460 | 2 | Cotter Pin, 1/4" x 2" |
| 8 | GD21143 | 1 | Marker Pin, 1 1/4" x 9 1/2" |
| 9 | G11334 | 4 | Washer, 1 1/8", 14 Gauge (.0747") |
| 10 | G10640 | 1 | Grease Fitting, 1/4"-28 |
| 11 | G11400 | 1 | Retaining Ring, 1 1/4" |
| 12 | GD5875 | 1 | Hose Clamp, 9/16" x 2 1/2" x 2" |
| 13 | G10108 | 1 | Lock Nut, 3/8"-16 |
| 14 | G10047 | 1 | Hex Head Cap Screw, 3/8"-16 x 1 3/4" |
| 15 | --- | - | See "2nd Stage Marker Assembly (Bulk Fill)" on page P155 |
| 16 | G6801-08 | 2 | Elbow W/O-Ring, 90°, 3/4"-16 Male JIC To O-Ring |
| 17 | G6400-08 | 2 | Adapter, 3/4-16 JIC, 3/4-16 O-Ring |

IP1035aa



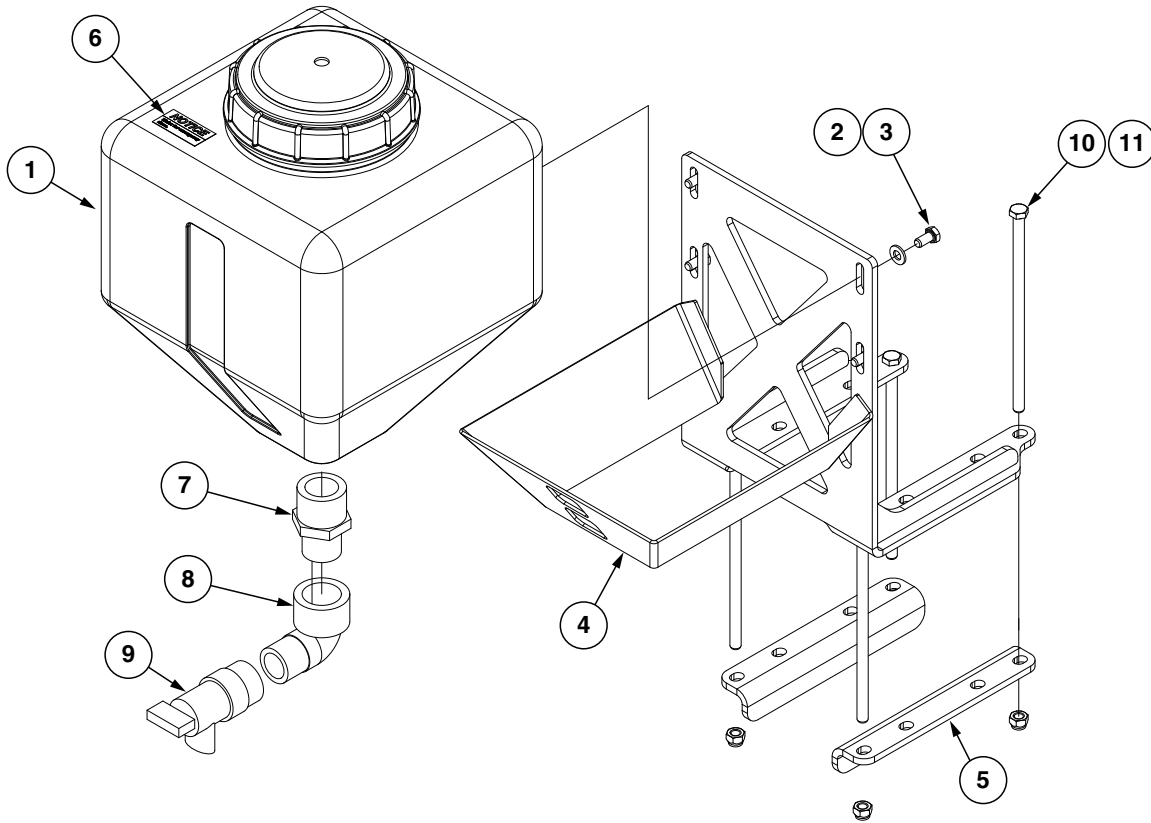
| ITEM | PART NO. | QTY. (Per Assy.) | DESCRIPTION |
|------|-----------|---------------------|--|
| 1 | G10844 | 1 | Carriage Bolt, 1/2"-13 x 3 1/2" |
| | G10168 | 2 | Machine Bushing, 1/2", 7 Gauge |
| | G10228 | 2 | Lock Washer, 1/2" |
| | G10102 | 2 | Hex Nut, 1/2"-13 |
| 2 | GD0746 | 1 | Disc Blade, Smooth, 16" (Shown) |
| | GD10283 | - | Disc Blade, Notched, 16" (Optional) |
| 3 | G10045 | 1 | Hex Head Cap Screw, 1/2"-13 x 4 1/2" |
| | G10168 | 2 | Machine Bushing, 1/2", 7 Gauge |
| | G10228 | 2 | Lock Washer, 1/2" |
| | G10102 | 2 | Hex Nut, 1/2"-13 |
| 4 | GA26876 | 1 | Hub W/Cups, 4 Bolt (Includes Items 6 and 17) |
| 5 | G11391 | 1 | Flat Washer, 5/8" SAE |
| 6 | GR0151 | 1 | Outer Cup |
| 7 | GD21540 | 1 | Grease Seal (Included W/ Item 4) |
| 8 | G10110 | 2 | Lock Nut, 1/4"-20, Grade B |
| 9 | GA0257 | 1 | Bearing (Included W/ Item 4) |
| 10 | G11418 | 2 | Hex Socket Head Cap Screw, 1/4" x 1 1/2" |
| 11 | GB0554 | 2 | Hub Shield |
| 12 | GD2597 | 1 | Retainer |
| 13 | GD0840 | 1 | Dust Cap |
| 14 | G10722 | 4 | Hex Head Cap Screw, 1/2"-20 x 1" |
| | G10228 | 4 | Lock Washer, 1/2" |
| 15 | G10544 | 1 | Cotter Pin, 5/32" x 1" |
| 16 | G10725 | 1 | Slotted Hex Nut, 5/8"-18 |
| 17 | GR0150 | 1 | Inner Cup |
| 18 | GA0245 | 1 | Bearing (Included W/ Item 4) |
| 19 | GA15151 | 1 | Spindle |
| 20 | G10939 | 4 | Hex Head Cap Screw, 3/8"-16 x 2 1/4" |
| 21 | G10109 | 4 | Lock Nut, 5/16"-18, Grade 8 |
| 22 | G11387 | 4 | Hardened Washer, 3/8" SAE |
| 23 | G10108 | 4 | Lock Nut, 3/8"-16 |
| 24 | G10428601 | 1 | Marker Weight, 1/2" |
| 25 | G10428701 | 1 | Marker Weight, 1" |
| 26 | G10428401 | 1 | Weighted Depth Band |
| 27 | G10019 | 4 | Hex Head Cap Screw, 5/16"-18 x 1" |
| A | GA26909 | - | Hub And Spindle Assembly, (Items 4-19) |

(100190)



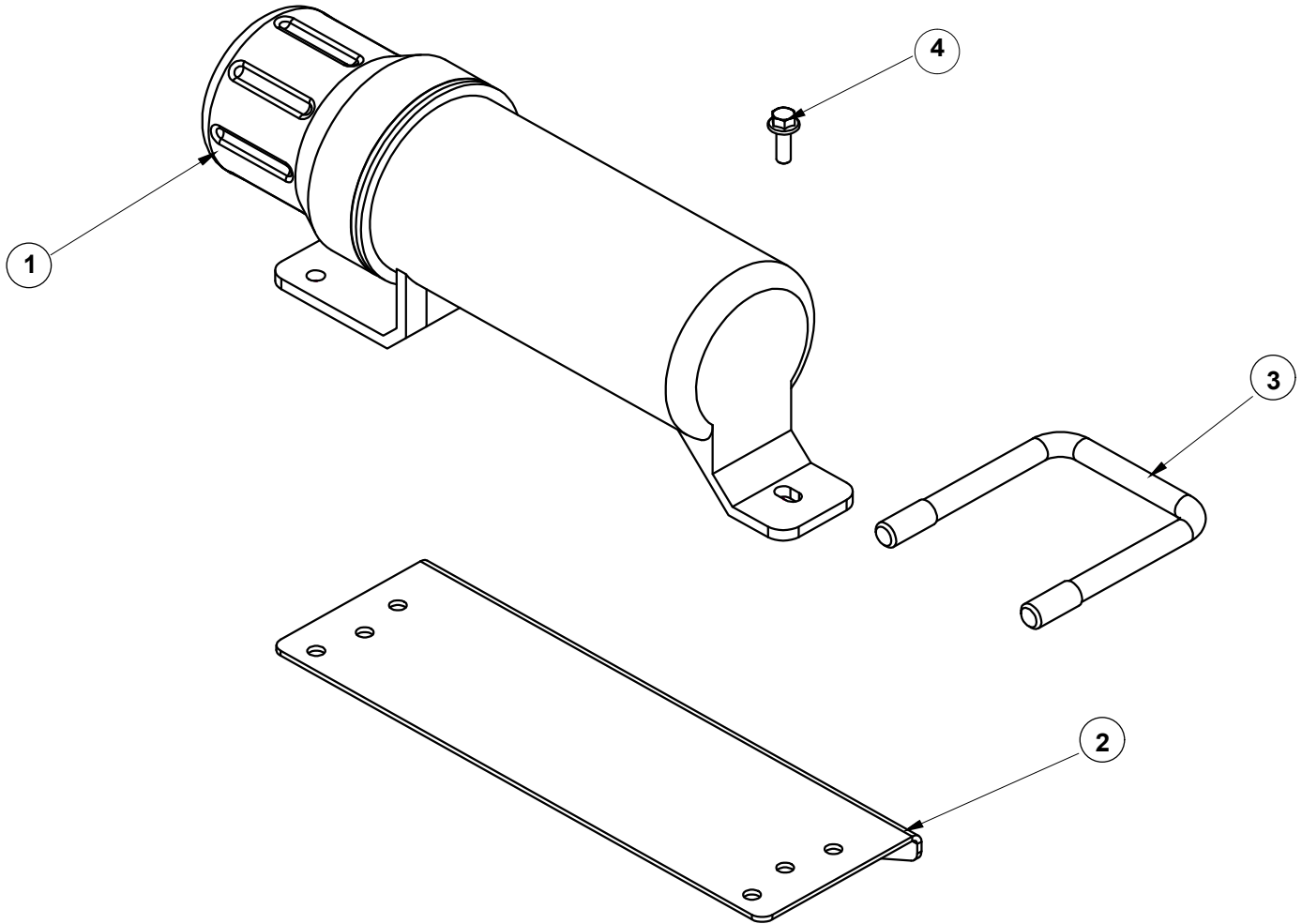
| ITEM | PART NO. | QTY. | DESCRIPTION |
|------|-----------|------|--|
| 1 | GA26746 | 1 | Module Cover Assembly |
| 2 | GA26742 | 1 | Module Mount |
| 3 | G10062201 | 1 | Mounting Bracket, R.H. |
| 4 | G10062101 | 1 | Mounting Bracket, L.H. |
| 5 | GD36727 | 1 | Module Harness Loop |
| 6 | GD8306 | 3 | U-Bolt, 7" x 5" x 1/2"-13 |
| 7 | GD14671 | 1 | U-Bolt, 3" x 3" x 5/8"-11 |
| 8 | G11339 | 2 | Pin W/Chain |
| 9 | G10252 | 10 | Hex Socket Head Cap Screw, 1/4"-20 x 7/8", Grade 8 |
| 10 | G10001 | 2 | Hex Head Cap Screw, 3/8"-16 x 1" |
| 11 | G11091 | 6 | Serrated Flange Nut, 3/8"-16 |
| 12 | G10111 | 6 | Lock Nut, 1/2"-13 |
| 13 | G11387 | 6 | Flat Washer, 3/8" SAE |
| 14 | G11385 | 2 | Flat Washer, 1/4" SAE |
| 15 | G11389 | 6 | Flat Washer, 1/2" Plated SAE |
| 16 | G11391 | 2 | Flat Washer, 5/8" SAE |
| 17 | G10107 | 2 | Lock Nut, 5/8"-11 |
| 18 | G10004 | 4 | Hex Head Cap Screw, 3/8"-16 x 1 1/4" |

(A21003)



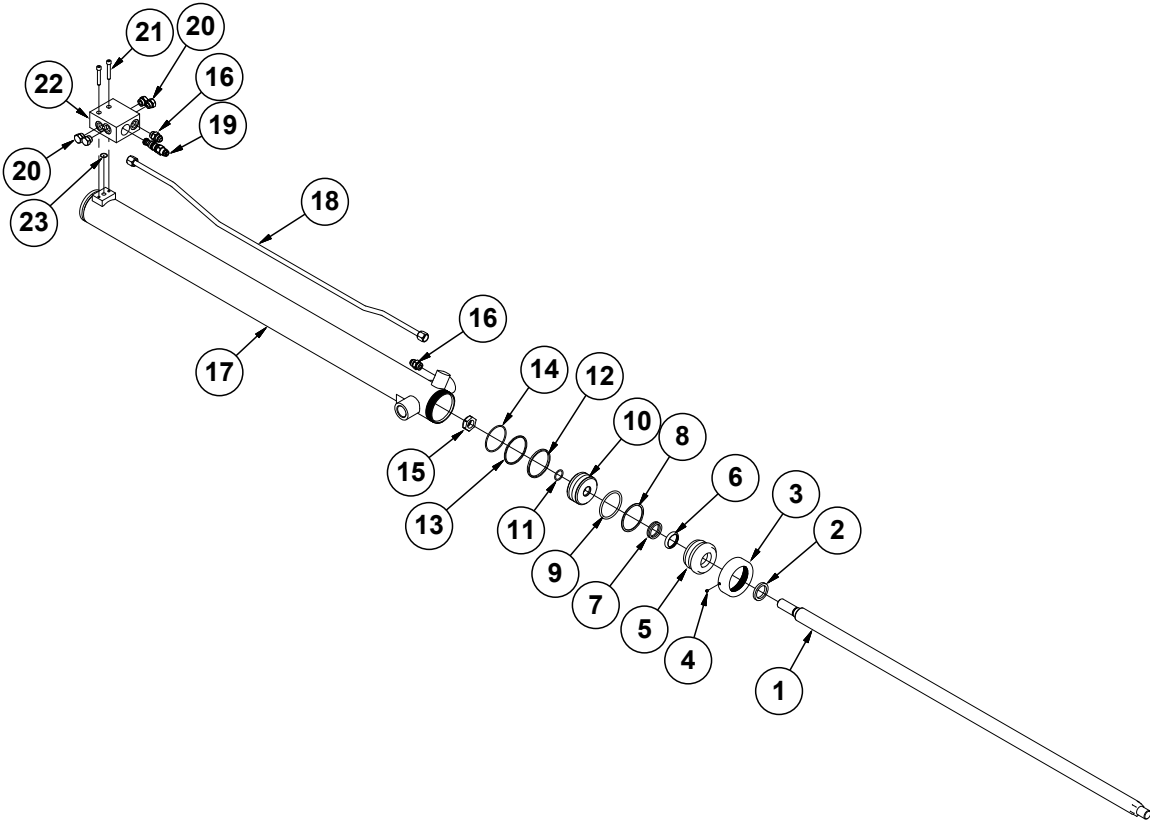
| ITEM | PART NO. | QTY. | DESCRIPTION |
|------|-----------|------|---|
| 1 | GD30723 | 1 | 4 Gallon Water Tank W/Lid |
| 2 | G11386 | 4 | Flat Washer, $\frac{5}{16}$ " SAE |
| 3 | G10018 | 4 | Hex Head Cap Screw, $\frac{5}{16}$ "-18 x $\frac{5}{8}$ " |
| 4 | GA24449 | 1 | Water Tank Mount |
| 5 | GD30221 | 2 | Water Tank Mount Brackets |
| 6 | G10383201 | 1 | Decal, Notice |
| 7 | G10727 | 1 | Reducing Nipple, 1-1/4" x 1" |
| 8 | G11742 | 1 | 1" NPT 90° Elbow |
| 9 | GD30722 | 1 | 1" NPTF Flush Valve |
| 10 | G10686 | 4 | Hex Head Cap Screw, $\frac{3}{8}$ "-16 x 8" |
| 11 | G10108 | 4 | Lock Nut, $\frac{3}{8}$ "-16 |

(A25890)



| ITEM | PART NO. | QTY. | DESCRIPTION |
|------|----------|------|---|
| 1 | GA15422 | 1 | Operator's Manual Canister |
| 2 | GD22686 | 1 | Manual Canister Bracket |
| 3 | GD4743 | 1 | U-Bolt, 3" x 3" x 1/2"-13 |
| | G10071 | 2 | Serrated Flange Nut, 1/2"-13 |
| 4 | G11166 | 3 | Hex Socket Flange Cap Screw, 1/4"-20 x 3/4" |
| | G11320 | 3 | Lock Nut, 1/4"-20, Grade B |

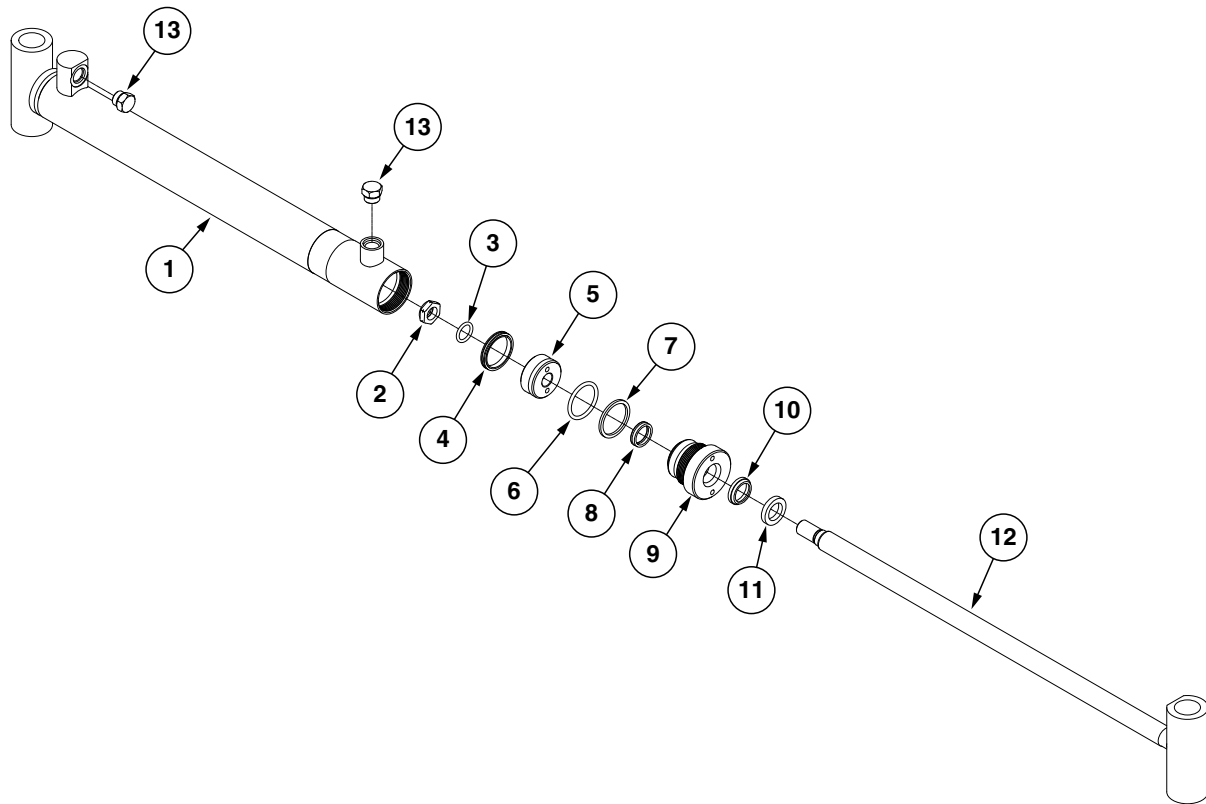
(IP1551)



| ITEM | PART NO. | QTY. (Per Cylinder) | DESCRIPTION |
|------|--------------------|------------------------|--|
| 1 | GD30631 | 1 | Cylinder Rod, 1½" |
| 2 | GD12103 | 1 | Ring |
| 3 | GD13303 | 1 | Cap |
| 4 | G10907 | 1 | Set Screw, ¼"-20 x ¼" |
| 5 | GD13302 | 1 | Gland |
| 6 | GD12206 | 1 | Wiper, 1½" |
| 7 | *D12252 | 1 | U-Cup |
| 8 | *D12228 | 1 | Back-Up Ring |
| 9 | *D12227 | 1 | O-Ring, No. 336 |
| 10 | GD30697 | 1 | Piston |
| 11 | *D29649 | 1 | O-Ring, No. 215 |
| 12 | *D12110 | 2 | Cast Iron Piston Ring |
| 13 | *D12257 | 1 | Energizer Seal |
| 14 | *D12108 | 1 | Piston Seal |
| 15 | GD27235 | 1 | Nylon Lock Nut, 1"-14, Grade 8 |
| 16 | G6400-08 GR1037 | 2 | Connector W/O-Ring, ¾"-16 Male JIC To O-Ring O-Ring |
| 17 | GA24695 | 1 | Barrel |
| 18 | GA8888 | 1 | Steel Hydraulic Line, 43 ¹ / ₁₆ " |
| 19 | GA8882 | 1 | Counter Balance Valve |
| 20 | G6408-08 GR1037 | 4 - | Plug W/O-Ring, ¾"-16 O-Ring O-Ring |
| 21 | G10932 | 2 | Hex Socket Head Cap Screw, 5/16"-18 x 2", Grade 8 |
| 22 | GD11579 | 1 | Manifold Block |
| 23 | GD12239 | 1 | O-Ring, No. 016 |
| A | GA24694 | - | Cylinder Complete, 3¼" x 48" (Part Numbered Stamped on Barrel) |
| B | GR2274 | - | Seal Kit, Includes: (1) Wiper, (1) U-Cup, (3) O-Rings, (1) BU Ring, (1) T-Seal, (1) Cast Iron Piston Ring, (1) Piston Seal, and (1) Energizer Seal |

*Item is part of seal kit, item can not be purchased individually.

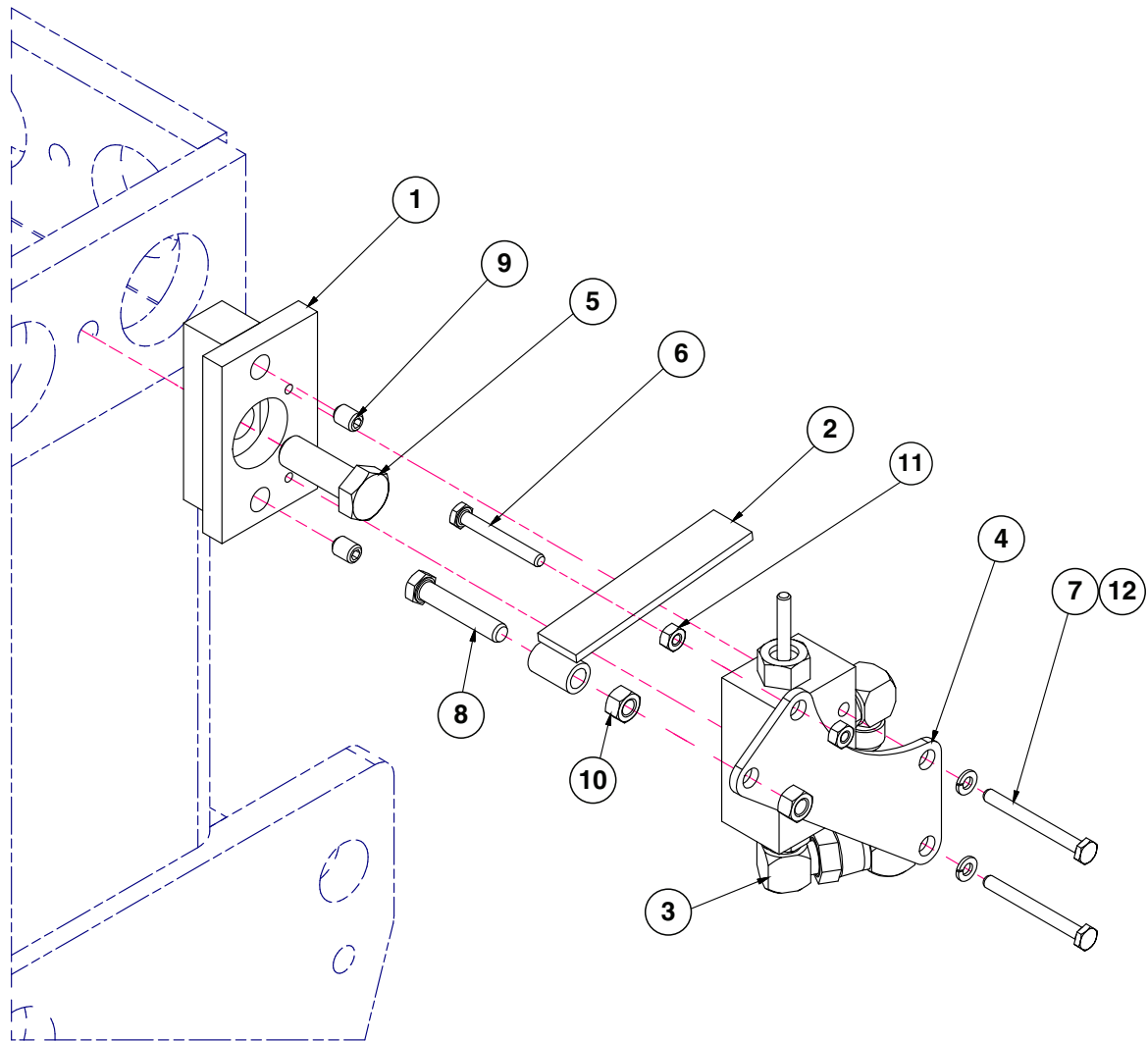
(IP1527)



| ITEM | PART NO. | QTY. | DESCRIPTION |
|------|----------|------|---|
| 1 | A9442 | 1 | Barrel |
| 2 | GD27233 | 1 | Nylon Lock Nut, 3/4"-16, Grade 8 |
| 3 | *D29692 | 1 | O-Ring, No. 211 |
| 4 | *D12277 | 1 | T-Seal |
| 5 | GD29689 | 1 | Piston |
| 6 | *D12235 | 1 | O-Ring, No. 326 |
| 7 | *D12236 | 1 | Back-Up Ring |
| 8 | *D12256 | 1 | U-Cup |
| 9 | GD12510 | 1 | Gland |
| 10 | *D12233 | 1 | Wiper Rod |
| 11 | GD12101 | 1 | Ring |
| 12 | GA21159 | 1 | Rod |
| 13 | G6408-08 | 2 | Plug W/O-Ring, 3/4"-16 O-Ring |
| | GR1037 | - | O-Ring |
| A | GA21158 | - | Cylinder Complete, 2" x 20 ¹ / ₁₆ " (Part Number Stamped On Barrel) |
| B | GR2229 | - | Seal Kit, Includes: (1) Wiper, (2) U-Cup, (3) O-Rings, (1) BU Ring, (1) T-Seal, (1) Instruction Sheet |

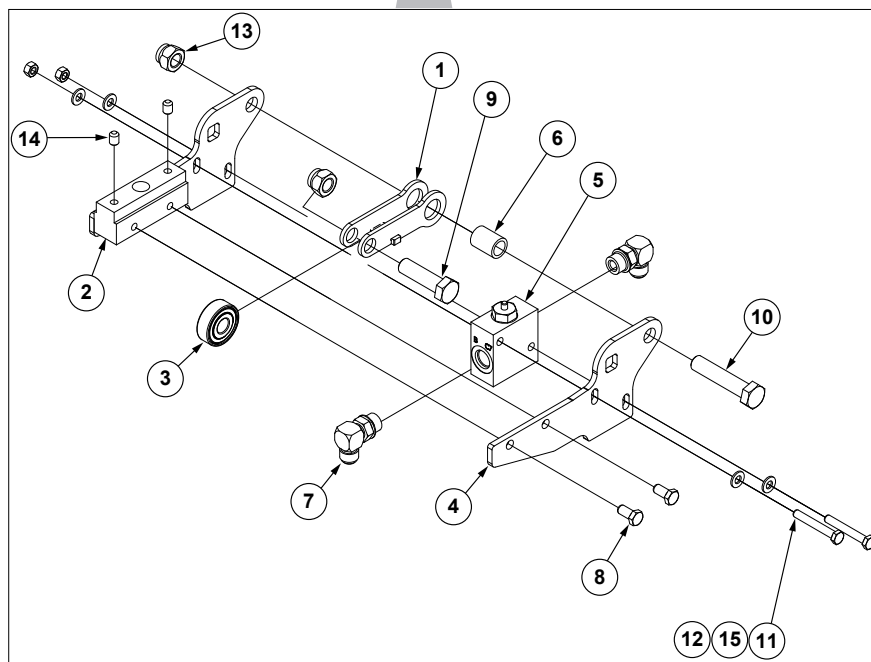
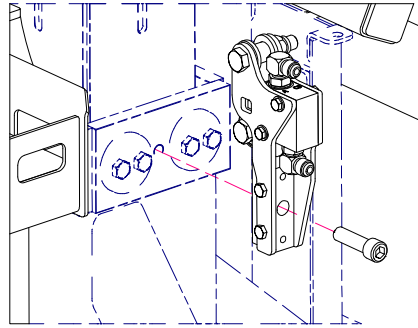
***Item is part of seal kit, item can not be purchased individually.**

(A25920)



| ITEM | PART NO. | QTY. | DESCRIPTION |
|------|----------|------|---|
| 1 | GA6850 | 1 | Valve Mount |
| 2 | GA7153 | 1 | Arm |
| 3 | GA12202 | 1 | See "Stroke Limiter Valve, Conventional" on page P169 |
| 4 | GD10129 | 1 | Mounting Bracket |
| 5 | G10005 | 1 | Hex Head Cap Screw, 5/8"-11 x 1 3/4" |
| 6 | G10638 | 1 | Hex Head Cap Screw, 1/4"-20 x 2" |
| 7 | G10403 | 2 | Hex Head Cap Screw, 1/4"-20 x 2 1/2" |
| 8 | G10048 | 1 | Hex Head Cap Screw, 3/8"-16 x 2" |
| 9 | G10120 | 2 | Hex Socket Set Screw, 3/8"-16 x 1/2" |
| 10 | G10101 | 2 | Hex Nut, 3/8"-16 |
| 11 | G10103 | 2 | Hex Nut, 1/4"-20 |
| 12 | G10227 | 2 | Lock Washer, 1/4" |

(A24497)



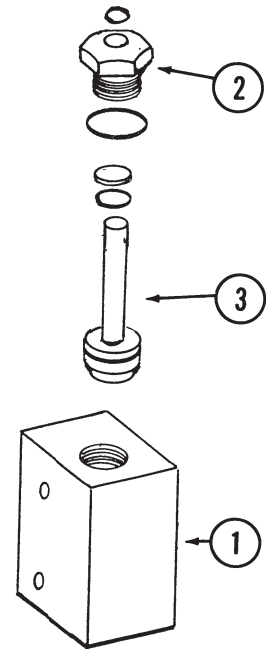
| ITEM | PART NO. | QTY. | DESCRIPTION |
|------|-----------|------|---|
| 1 | GA24495 | 1 | Check Valve Mount |
| 2 | GA24496 | 1 | Block Mount |
| 3 | GA2014 | 1 | Bearing, 5/8" |
| 4 | GD34091 | 1 | Side Mount Plate |
| 5 | GA24715 | 1 | Plunger Valve |
| | GR1254 | - | Valve |
| | GR1090 | - | Check Valve Block |
| 6 | GD3180-05 | 1 | Sleeve, 5/8" I.D. x 7/8" O.D. x 1 3/16" Long |
| 7 | G6801-08 | 2 | Elbow W/O-Ring, 90°, 3/4"-16 Male JIC To O-Ring |
| | GR1037 | - | O-Ring |
| 8 | G10002 | 2 | Hex Head Cap Screw, 3/8"-16 x 3/4" |
| 9 | G10006 | 1 | Hex Head Cap Screw, 5/8"-11 x 2 1/4" |
| 10 | G10010 | 1 | Hex Head Cap Screw, 5/8"-11 x 3" |
| 11 | G10069 | 2 | Hex Head Cap Screw, 5/16"-18 x 2 1/4" |
| 12 | G10106 | 2 | Hex Nut, 5/16"-18 |
| 13 | G10107 | 2 | Lock Nut, 5/8"-11 |
| 14 | G10120 | 2 | Hex Socket Set Screw, 3/8"-16 x 1/2" |
| 15 | G11386 | 4 | Flat Washer, 5/16" SAE |

(TWL55)

| ITEM | PART NO. | | QTY. | DESCRIPTION |
|------|----------|----------|------|--|
| | Style A* | Style B* | | |
| 1 | --- | --- | 1 | Block (Non-Stock Item) |
| 2 | GR1281 | ** | 1 | Adapter Plug |
| 3 | GR1282 | GR2193 | 1 | Piston Rod And Poppet Assembly |
| A | GA6884 | GA6884 | - | Stroke Limiter Valve Complete |
| B | GR1289 | --- | - | Seal Kit, Includes: (2) O-Rings, (1) BU Ring, (1) Seal |
| C | --- | GR2194 | - | Seal Kit, Includes: (2) O-Rings, (1) BU Ring, (1) Seal, (1) Adapter Plug |

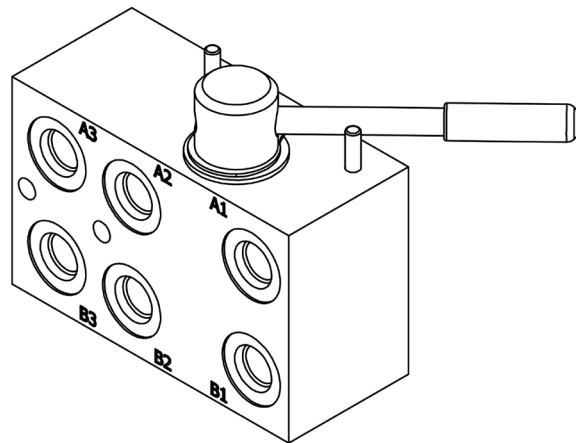
*Style A and B are determined by block color. Style A block will be yellow/zinc in color and manufactured by Shoemaker Inc. Style B block will be black in color and manufactured by Delta Power Company.

**Item is part of seal kit (GR2194), item can not be purchased individually



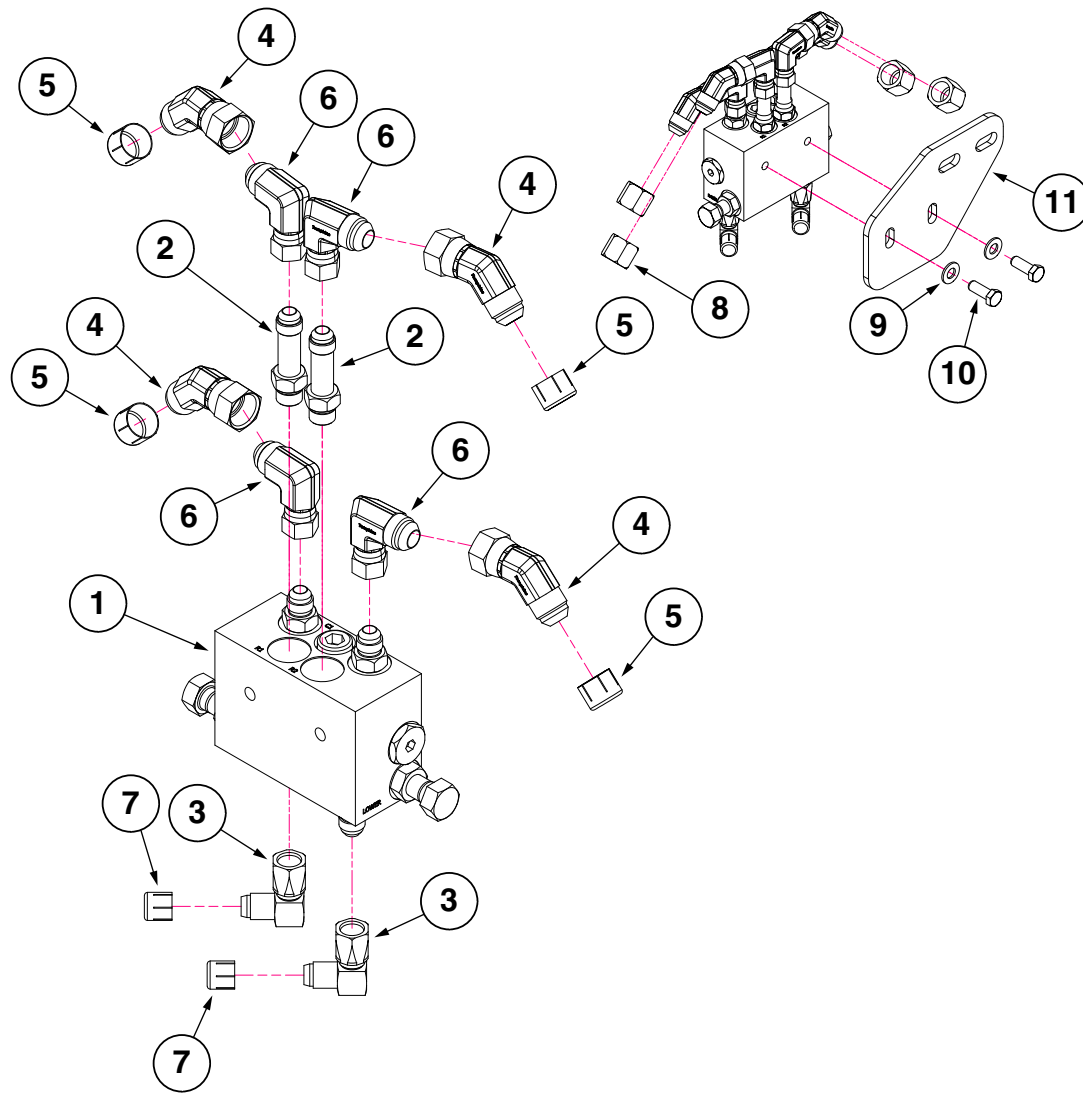
Selector Valve

(A24857)



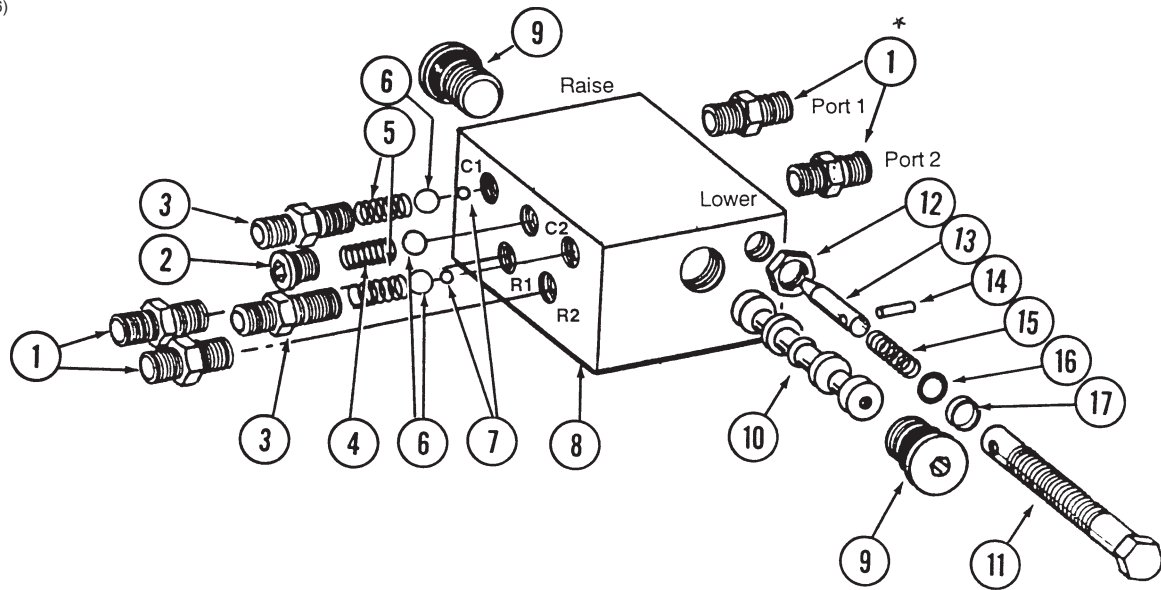
| ITEM | PART NO. | QTY. | DESCRIPTION |
|------|----------|------|--|
| 1 | GR2266 | 1 | Seal Kit, Includes: (2) Retaining Rings, (2) O-Rings, (2) BU Rings |
| A | GA24857 | - | Valve Assembly |

(A24921)



| ITEM | PART NO. | QTY. | DESCRIPTION |
|------|----------------------|--------|--|
| 1 | --- | - | |
| 2 | G6400-L-06 GR1045 | 2 - | Long Connector W/O-Ring, 9/16"-18 Male JIC To O-Ring O-Ring |
| 3 | G6500-06 | 2 | Swivel Elbow, 90°, 9/16"-18 Male JIC To Female |
| 4 | G6502-08 | 4 | Swivel Elbow, 45°, 3/4"-16 Male JIC To Female |
| 5 | G10492 | 4 | Thread Protector, 3/4"-16 |
| 6 | G6500-08-06 | 4 | Swivel Elbow, 90°, 3/4"-16 Male JIC To 9/16"-18 Female |
| 7 | G10491 | 2 | Thread Protector, 9/16"-18 |
| 8 | G304-C-8 | 4 | Cap Nut, 3/4"-16 |
| 9 | G11387 | 2 | Flat Washer, 3/8" SAE |
| 10 | G10001 | 2 | Hex Head Cap Screw, 3/8"-16 x 1" |
| 11 | GD36975 | 1 | Mount Plate |

(PT9a/TWL56)

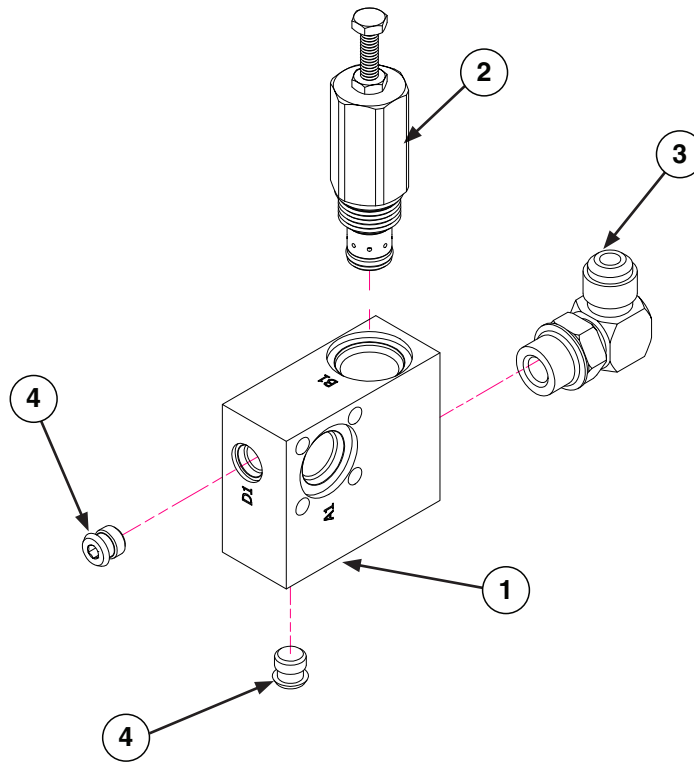


| ITEM | PART NO. | QTY. | DESCRIPTION |
|------|--------------------|--------|--|
| 1 | G6400-06 GR1045 | 4 - | Connector W/O-Ring, 3/16"-18 Male JIC To O-Ring O-Ring |
| 2 | *R1034 GR1035 | 2 - | Hex Socket Plug W/O-Ring O-Ring |
| 3 | *R1032 GR1045 | 2 - | Port Adapter W/O-Ring O-Ring |
| 4 | *R1033 | 1 | Detent Spring |
| 5 | *R1036 | 2 | Spring |
| 6 | *R1044 | 3 | 3/16" Check Ball |
| 7 | *R1043 | 2 | 1/4" Steel Ball |
| 8 | --- | 1 | Valve Body (Non-Stock Item) |
| 9 | *R1047 GR1037 | 2 - | Hex Socket Plug W/O-Ring O-Ring |
| 10 | --- | - | Spool (Non-Stock Item) |
| 11 | **R1042 | 2 | Adjustment Screw |
| 12 | **R1048 | 2 | Hex Jam Nut, 1/2"-20 |
| 13 | **R1038 | 2 | Needle |
| 14 | **R1039 | 2 | Spring Pin |
| 15 | **R1046 | 2 | Compression Spring |
| 16 | **R1040 | 2 | O-Ring |
| 17 | **R1041 | 2 | Teflon BU Ring |
| A | GA5552 | - | Valve Assembly Complete (Items 1-17) |
| B | GA20822 | - | Flow Control Assembly Portion Only (Items 11-17) |
| C | GR2035 | - | Detent Kit, Includes: (2) Hex Socket Plug W/O-Ring, (2) Port Adapter W/O-Ring, (1) Detent Spring, (2) Spring, (3) Check Ball, (2) Steel Ball |

*Item is part of detent kit (GR2035), item can not be purchased individually

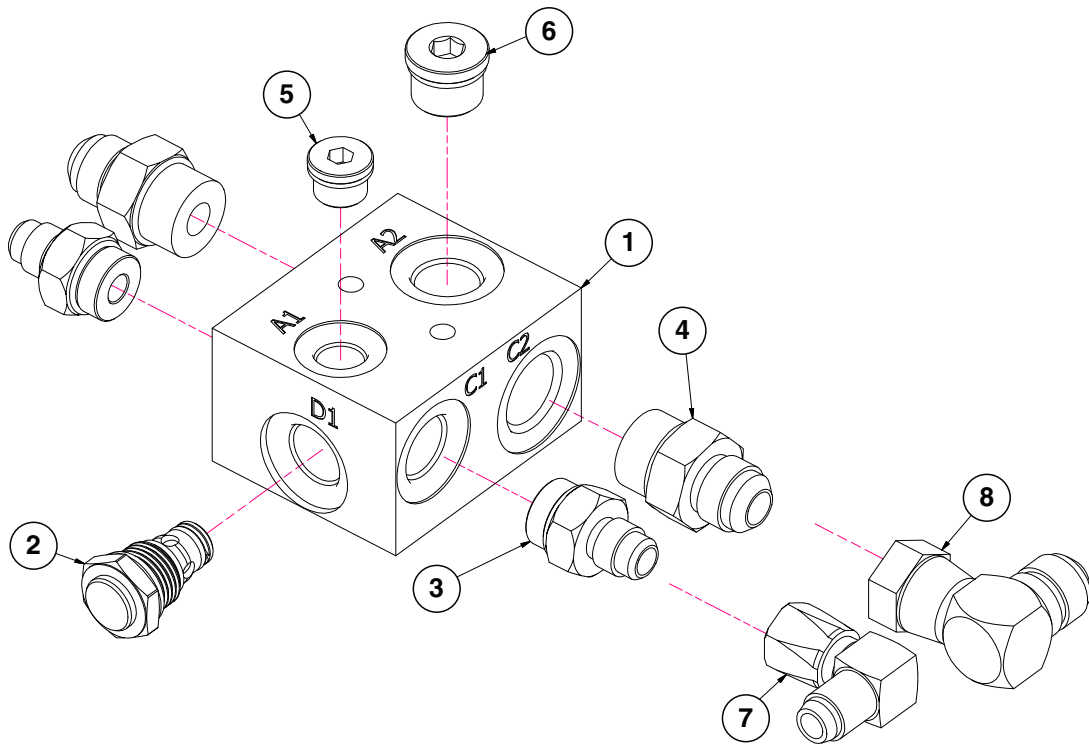
**Item is part of seal kit (GA20822), item can not be purchased individually.

(101999)



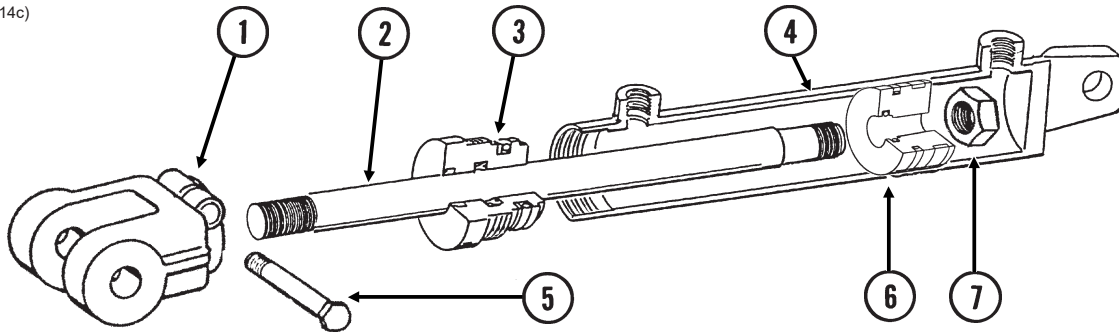
| ITEM | PART NO. | QTY. | DESCRIPTION |
|------|-----------|------|---|
| 1 | G10169701 | 1 | Manifold Hydraulic Block |
| 2 | G10053801 | 1 | Adjustable Flow Control Valve |
| 3 | G6801-08 | 1 | Elbow W/O-Ring, 90°, 3/4"-16 Male JIC To O-Ring |
| 4 | GD29321 | 1 | Plug |

(A26398)



| ITEM | PART NO. | QTY. | DESCRIPTION |
|------|-----------------------|--------|---|
| 1 | GD33511 | 1 | Valve Block |
| 2 | GA21067 | 1 | Check Valve, No. 8 |
| 3 | G6400-06-08 GR1037 | 2 - | Connector W/O-Ring, 9/16"-18 Male JIC To 3/4"-16 O-Ring O-Ring |
| 4 | G6400-08-10 GR1466 | 2 - | Connector W/O-Ring, 3/4"-16 Male JIC To 7/8"-14 O-Ring O-Ring |
| 5 | G6408-H06-O GR1045 | 1 - | Hex Socket Head Plug W/O-Ring, 9/16"-18 O-Ring O-Ring |
| 6 | G6408-H08-0 | 1 | Hex Socket Head Plug W/O-Ring, 3/4"-16 O-Ring |
| 7 | G6500-06 | 1 | Swivel Elbow, 90°, 9/16"-18 Male JIC To Female |
| 8 | G6500-08 | 1 | Swivel Elbow, 90°, 3/4"-16 Male JIC To Female |

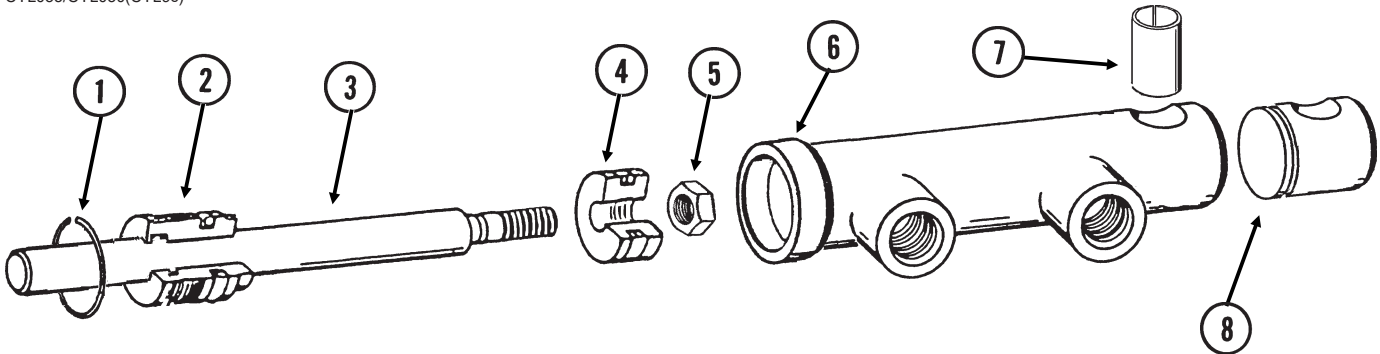
CYL032(CYL14c)



| ITEM | PART NO. | QTY. (Per Cylinder) | DESCRIPTION |
|------|----------|------------------------|---|
| 1 | GD11950 | 1 | Clevis |
| 2 | GD12501 | 1 | Rod |
| 3 | GD11999 | 1 | Gland |
| 4 | A6524 | 1 | Barrel (Non-Stock Item) |
| 5 | G10939 | 1 | Hex Head Cap Screw, 3/8"-16 x 2 1/4" |
| | G10108 | 1 | Lock Nut, 3/8"-16 |
| 6 | GD12502 | 1 | Piston |
| 7 | G10958 | 1 | Lock Nut, 1"-14 |
| A | GA8911 | - | Cylinder Complete, 3" x 16" (Part Number Stamped On Barrel) |
| B | GR1526 | - | Seal Kit, Includes: (1) Wear Ring, (1) T-Seal, (2) O-Rings, (1) BU Ring, (1) U-Cup, (1) Wiper |

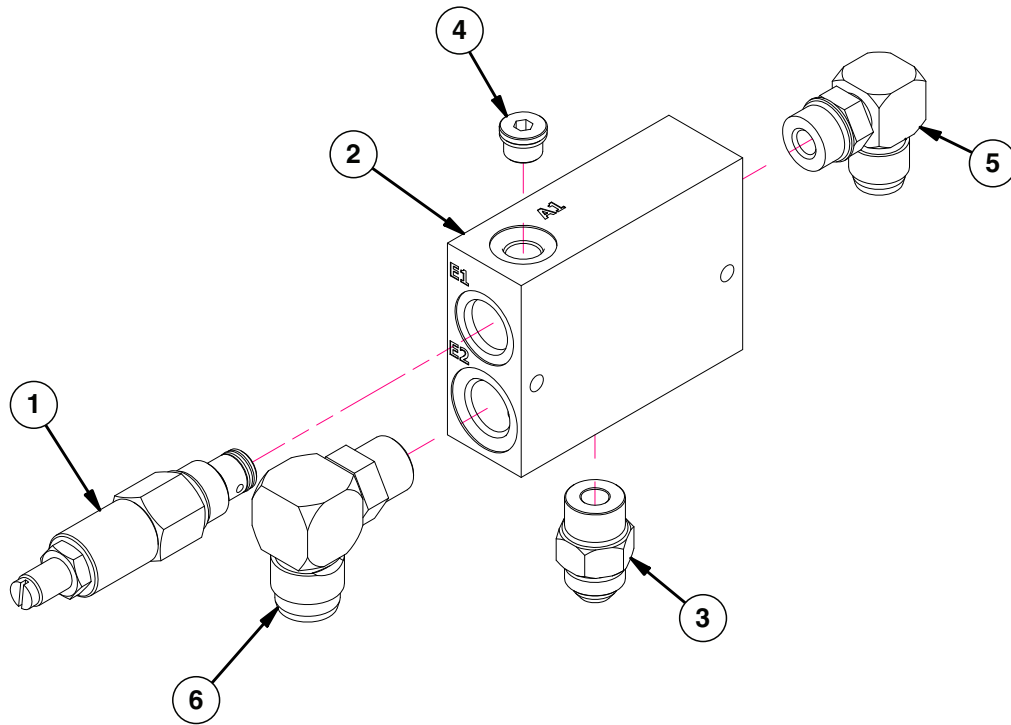
Transport Latch Cylinder, All Sizes

CYL035/CYL050(CYL9c)



| ITEM | PART NO. | QTY. | DESCRIPTION |
|------|----------|------|---|
| 1 | G10770 | 1 | Internal Retaining Ring, 1 1/16" |
| 2 | GD13170 | 1 | Gland |
| 3 | GD13425 | 1 | Rod |
| 4 | GD13172 | 1 | Piston |
| 5 | GD27232 | 1 | Nylon Lock Nut, 1/2"-20, Grade 8 |
| 6 | D13426 | 1 | Barrel (Non-Stock Item) |
| 7 | GD13400 | 1 | Tension Bushing, 1" x 2" Long |
| 8 | GD13173 | 1 | End Cap |
| A | GA9559 | - | Cylinder Complete, 1 1/2" x 2 1/2" (Part Number Stamped On Barrel) |
| B | GR1598 | - | Seal Kit, Includes: (3) O-Rings, (2) BU Rings, (1) Rod Wiper, (1) T-Seal, (1) Bronze Bushing, (1) Seal, (1) U-Cup |

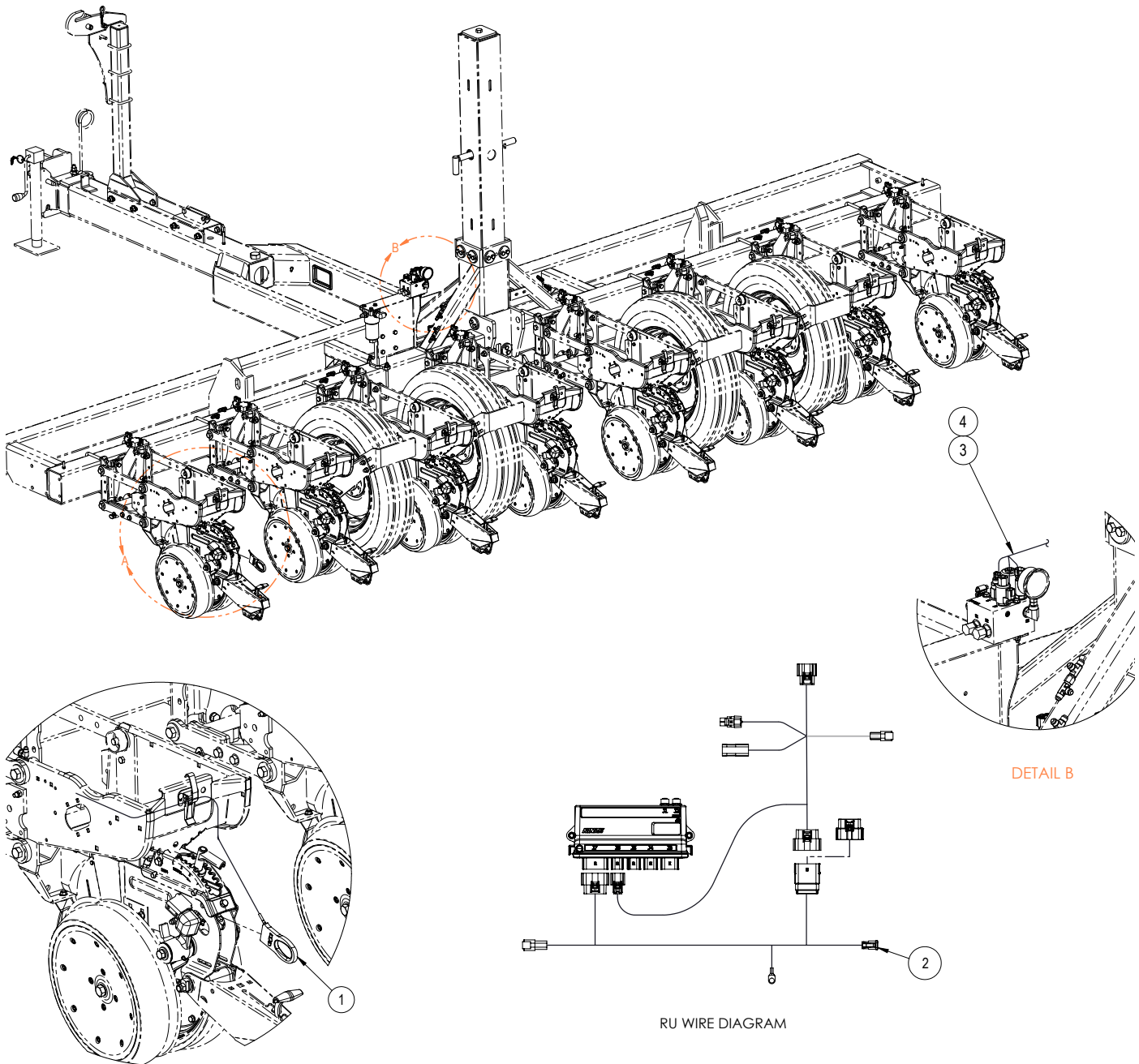
(A25606)



| ITEM | PART NO. | QTY. | DESCRIPTION |
|------|-------------|------|--|
| 1 | GA17426 | 1 | Pressure Relief Valve |
| 2 | GD30500 | 1 | Hydraulic Block PTO |
| 3 | G6400-10 | 1 | Adapter, 7/8-14 JIC, 7/8-14 O-Ring |
| 4 | G6408-H06-O | 1 | O-Ring Plug, 9/16-18 Hex Soc Head |
| 5 | G6801-10 | 1 | Elbow W/O-Ring, 90°, 7/8"-14 Male JIC To 1 1/16"-12 O-Ring |
| 6 | G6801-12-10 | 1 | Elbow W/O-Ring, 90°. 1 1/16"-12 Male JIC To 7/8"-14 O-Ring |

| ITEM | PART NO. | QTY. | DESCRIPTION |
|------|------------|------|---|
| 1 | G10709001 | 1 | See "True Depth Main Block Assembly" on page P180 |
| 2 | G10617701 | 1 | See "Row Unit with True Depth Assembly" on page P39 |
| 3 | --- | - | See "Integrated True Depth Assembly" on page P178 |
| 4 | *A7678-13 | 8 | Hose Assembly, 1/4" x 13" (04F-04F) |
| 5 | *A7677-20 | 8 | Hose Assembly, 1/4" x 20" (04F - 04F STD 90) |
| 6 | *A7680-35 | 4 | Hose Assembly, 1/4" x 35" (04F-06F) |
| 7 | *A12038 | 8 | Hose Assembly, 3/8" x 30" (06F-06F) |
| 8 | *A15081-32 | 2 | Hose Assembly, 3/8" x 32" (06F-06F) |
| 9 | *A7680-10 | 12 | Hose Assembly, 1/4" x 10" (04F-06F) |
| 10 | *A25504-19 | 2 | Hose Assembly, 3/8" x 19" (06F - 08F90S) |
| 11 | *A18671-30 | 1 | Hose Assembly, 1/2" x 30" (08F-08F90S) |
| 12 | *A18667-32 | 1 | Hose Assembly, 1/2" x 32" (08F - 08F) |
| 13 | *A21530-48 | 1 | Hose Assembly, 5/8" x 48" (10F - 10F) |
| 14 | GD10057-20 | 4 | Hose Identification Sleeve, Purple PP |
| 15 | GD35904-01 | 28 | Shrink Tube, Purple PP |
| 16 | G2603-06 | 12 | Tee, 9/16"-18 Male JIC |
| 17 | G6602-08 | 1 | Swivel Tee, 3/4"-16 JIC |
| 18 | G6602-10 | 1 | Swivel Tee, 7/8"-14 JIC |
| 19 | G6602-06 | 2 | Swivel Tee, 9/16"-18 JIC |

***Hydraulic hose is not stocked by Kinze Repair Parts.**



DETAIL A

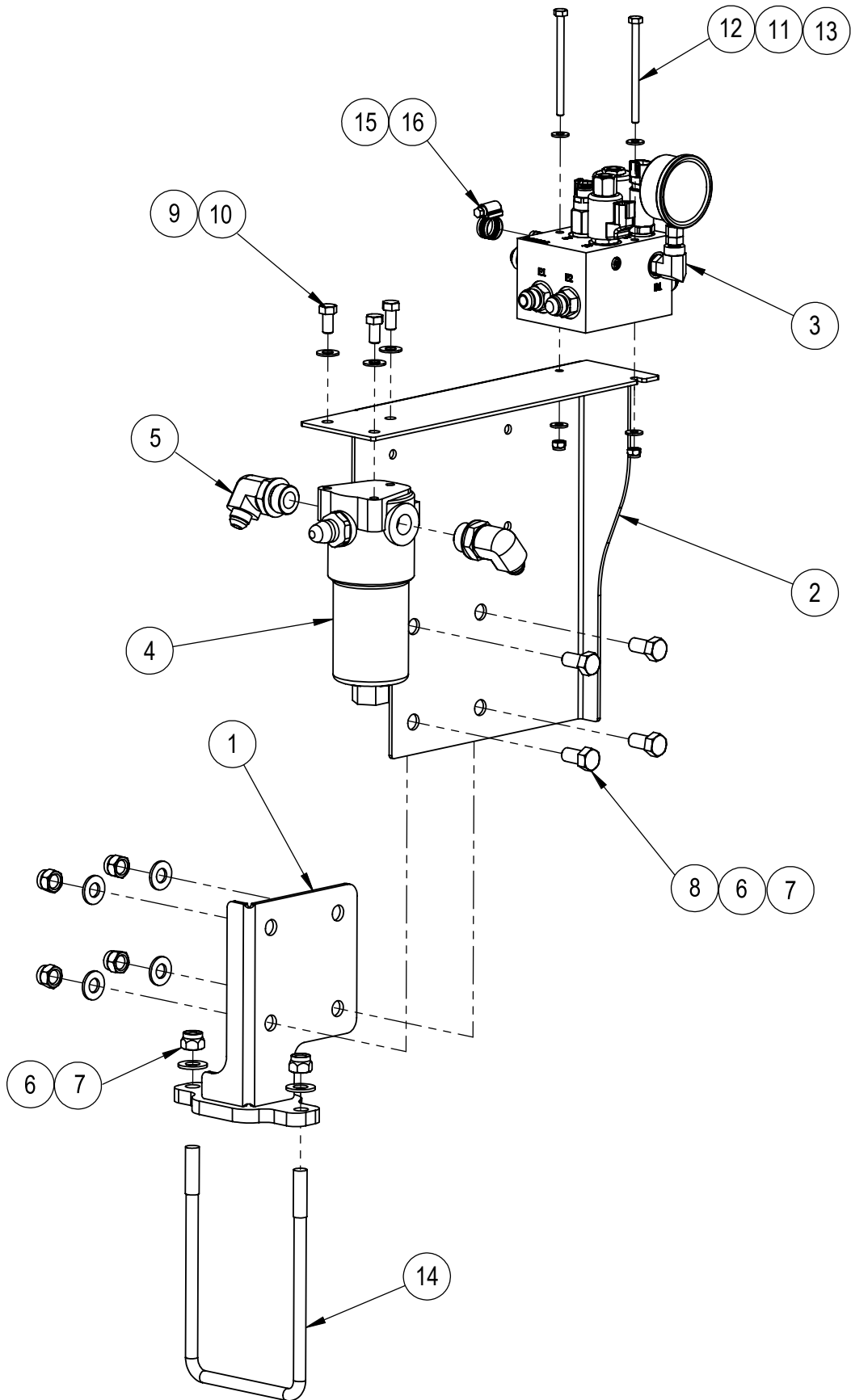
DETAIL B

RU WIRE DIAGRAM

| ITEM | PART NO. | QTY. | DESCRIPTION |
|------|-----------|------|---|
| 1 | GA27146 | 8 | Link Sensor, True Depth (True Depth equipped planters only) |
| 2 | GA26709 | 8 | Integrated True Depth Row Unit Harness (Non-True Speed only) |
| 3 | G10337001 | 1 | Integrated True Depth Harness |
| 4 | G10640901 | 1 | Sealed Cap |

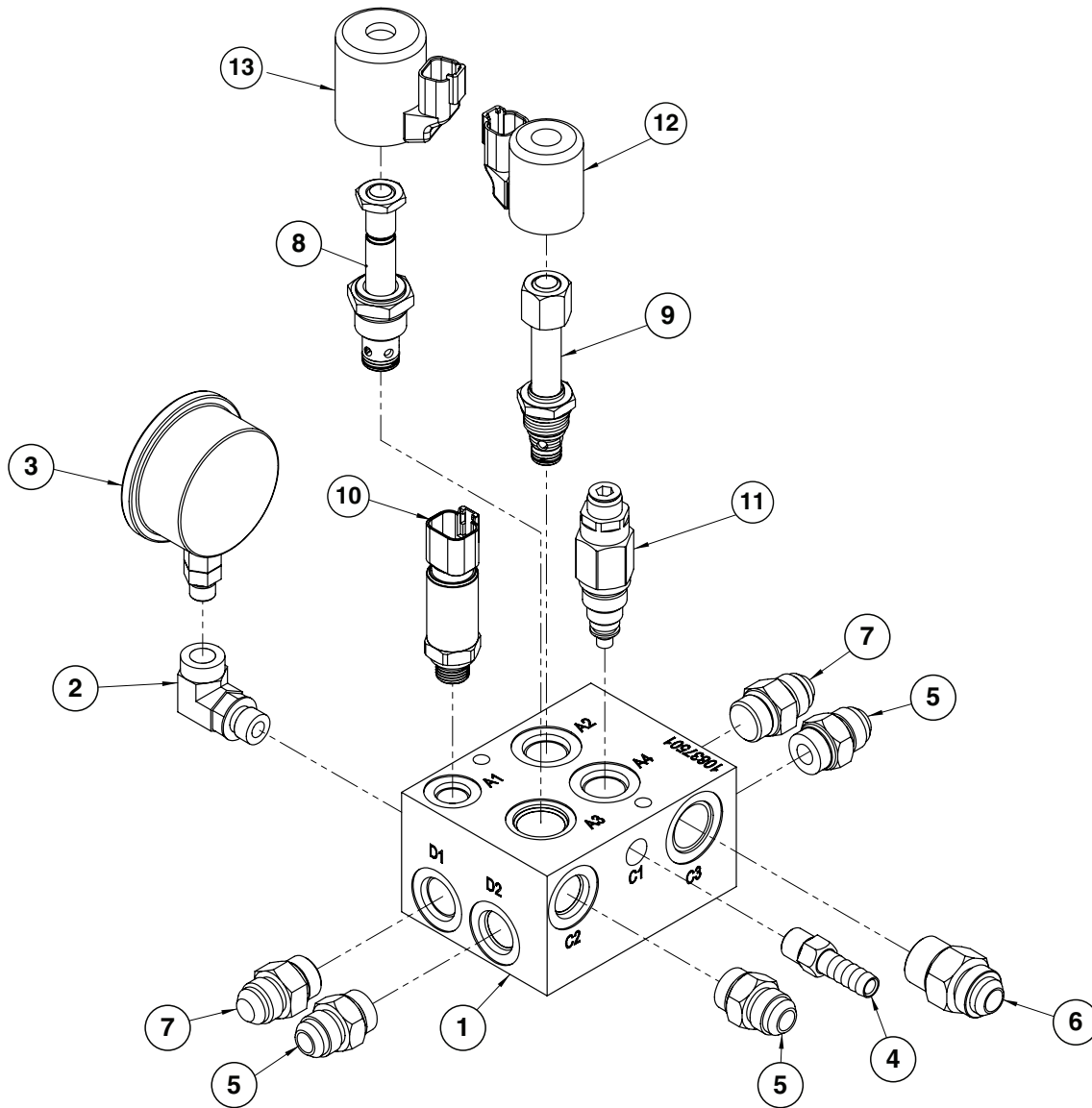
This page left blank intentionally.

(107090)



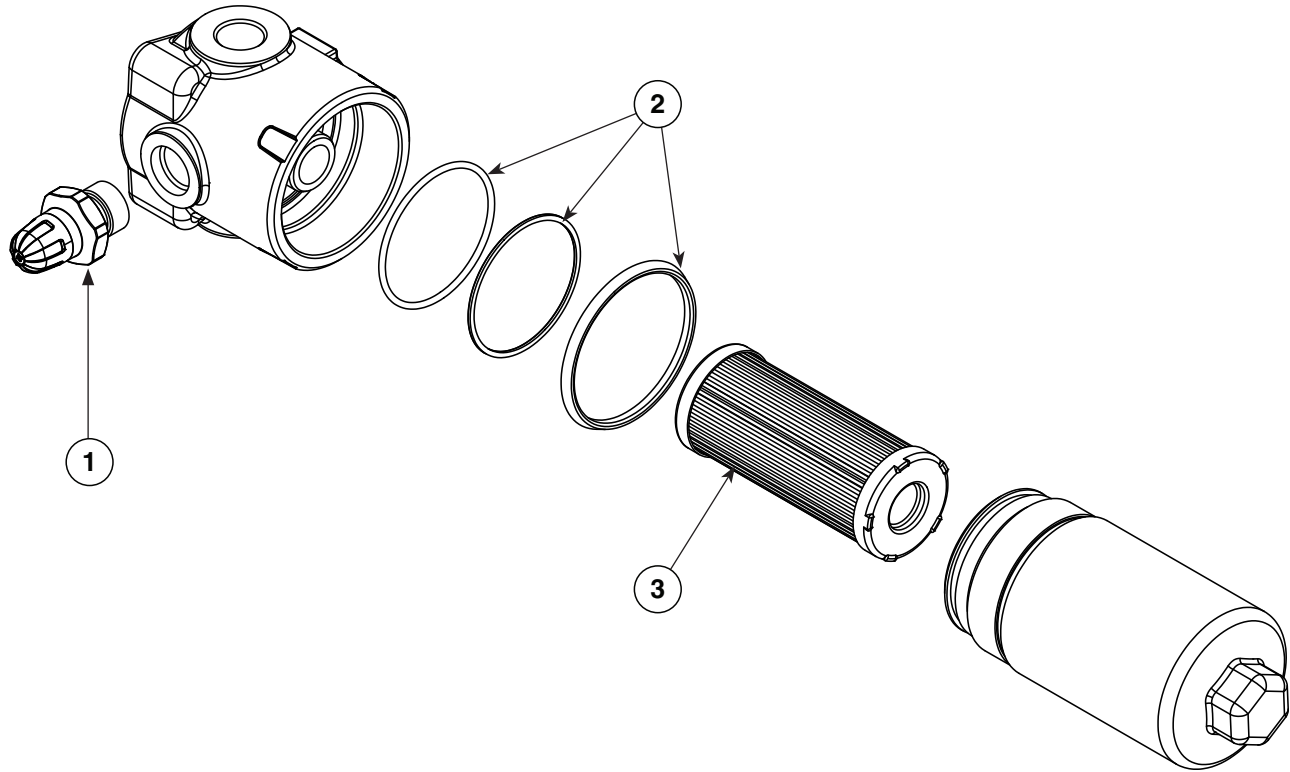
| ITEM | PART NO. | QTY. | DESCRIPTION |
|------|-------------|------|---|
| 1 | G10336501 | 1 | Hydraulic Down Force Main Bracket |
| 2 | GD36756 | 1 | Hydraulic Block Mount Bracket |
| 3 | GA25289 | 1 | See "Down Force Manifold Block Assembly" on page P182 |
| 4 | GA25857 | 1 | See "In-Line Filter Assembly" on page P183 |
| 5 | G6801-08-12 | 2 | 90° Adjustable Elbow, 3/4"-16 |
| 6 | G11389 | 6 | Flat Washer, 1/2" Plated SAE |
| 7 | G10111 | 6 | Lock Nut, 1/2"-13 |
| 8 | G10014 | 4 | Hex Head Cap Screw, 1/2"-13 x 1" |
| 9 | G11387 | 3 | Flat Washer, 3/8" SAE |
| 10 | G10002 | 3 | Hex Head Cap Screw, 3/8"-16 x 3/4" |
| 11 | G11385 | 4 | Flat Washer, 1/4" SAE |
| 12 | G11135 | 2 | Hex Head Cap Screw, 1/4"-20 X 3 3/4" |
| 13 | G10110 | 2 | Lock Nut, 1/4"-20, Grade B |
| 14 | GD8306 | 1 | U-Bolt, 7" x 5" x 1/2"-13 |
| 15 | GD6279-03 | 1 | Tube, 3/8" x 28 |
| 16 | G10681 | 1 | Hose Clamp, No. 6 |

(A25289)



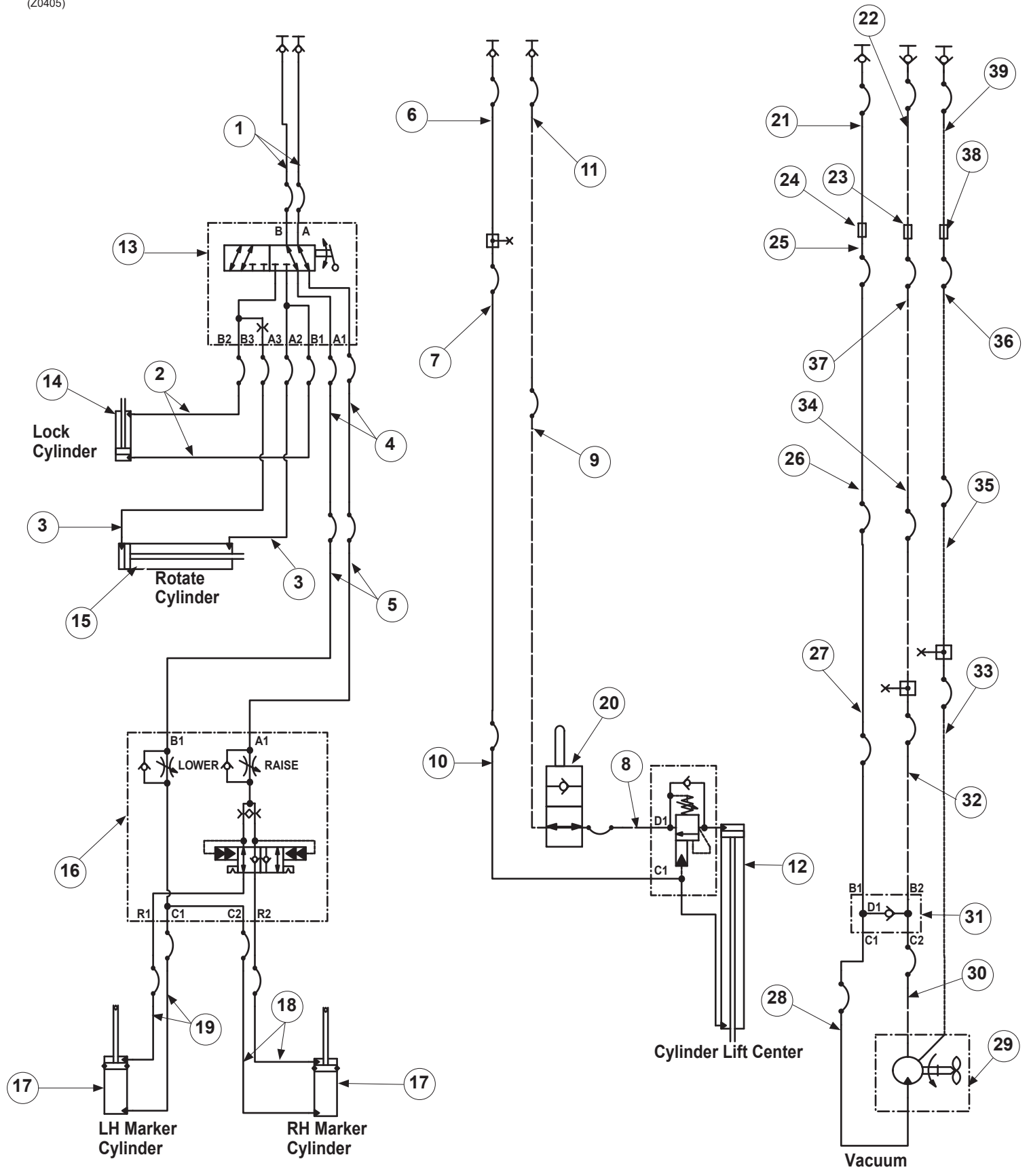
| ITEM | PART NO. | QTY. | DESCRIPTION |
|------|-------------|------|--|
| 1 | G10837501 | 1 | Down Force Manifold Block |
| 2 | G6815-06-04 | 1 | 90° Adjustable Street Elbow |
| 3 | GA26005 | 1 | Pressure Gauge |
| 4 | GD11700 | 1 | Adapter, 1/4" NPT To 3/8" Barb |
| 5 | G6400-08 | 3 | Adapter, 3/4-16 JIC, 3/4-16 O-Ring |
| 6 | G6400-10 | 1 | Connector W/O-Ring, 7/8"-14 Male JIC To O-Ring |
| 7 | GA20252 | 2 | Check Valve |
| 8 | GA25390 | 1 | Solenoid, No. 10, Single Poppet |
| 9 | GA25389 | 1 | Solenoid, No. 8, Single Poppet |
| 10 | G10568101 | 1 | Pressure Sensor |
| 11 | GA25982 | 1 | Direct Relief |
| 12 | GA25403 | 1 | Coil, 12V |
| 13 | GA25404 | 1 | Coil, 12V |

(A25857)



| ITEM | PART NO. | QTY. | DESCRIPTION |
|------|----------|------|--|
| 1 | GR2361 | 1 | Flow Indicator |
| 2 | GR2368 | - | Seal Kit, Includes: (1) Sealing O-Ring, (1) Anit-Extrusion Ring, (1) External O-Ring |
| 3 | GD35835 | 1 | Replacement Filter Cartridge |

(Z0405)



Vacuum Conventional Planter Hydraulic System

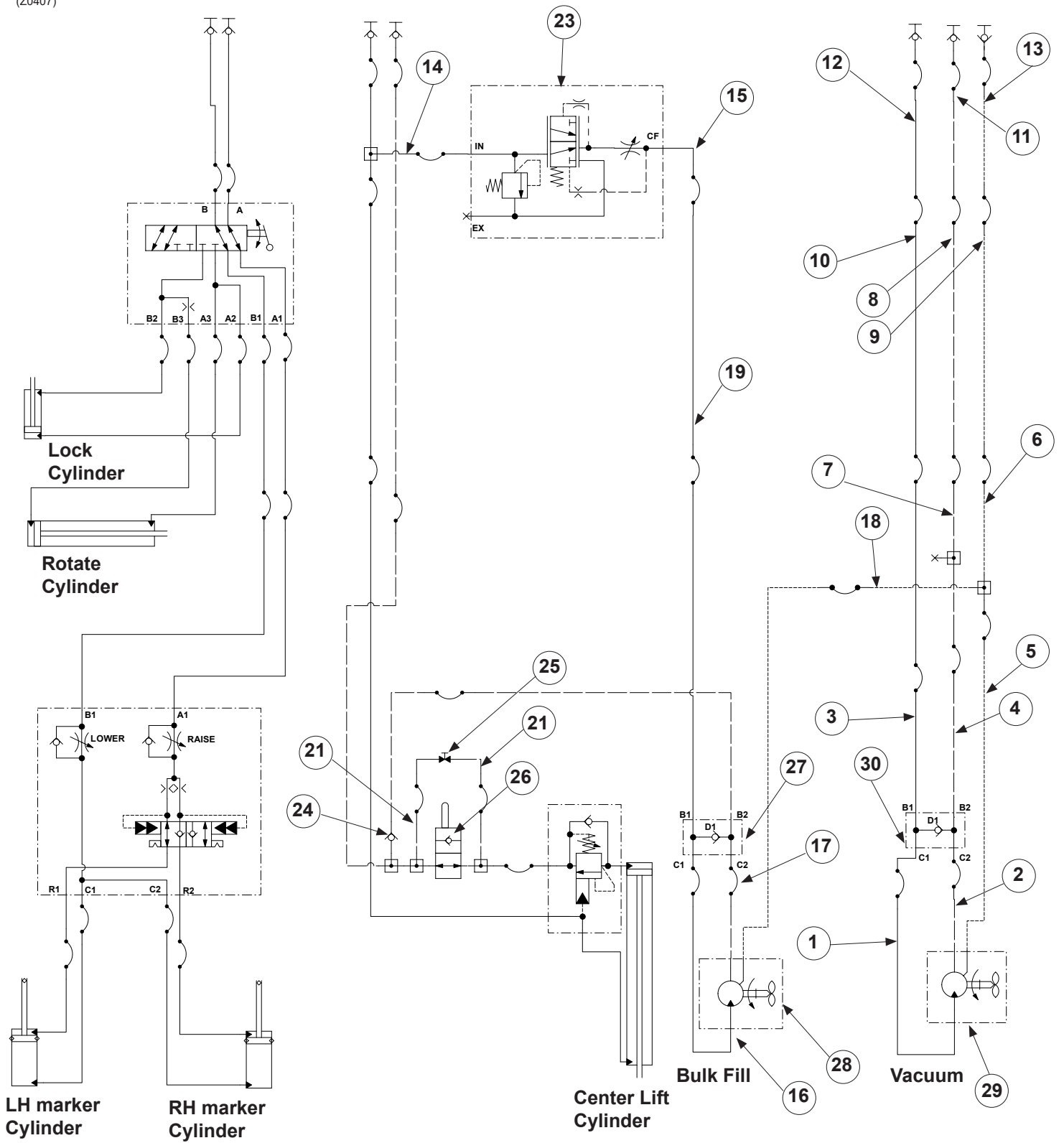
M0311-02

Model 3505

| ITEM | PART NO. | QTY. | DESCRIPTION |
|------|---------------|------|---|
| 1 | *A26936-98 | 2 | Hose Assembly, 3/8" x 98" (1/2M NPTF-08F) |
| 2 | *A1154 | 2 | Hose Assembly, 1/4" x 72" (06F-06F) |
| 3 | *A1121 | 2 | Hose Assembly, 1/4" x 180" (06F-06F) |
| 4 | *A15094-175 | 2 | Hose Assembly, 3/8" x 175" (08M-08F) |
| 5 | *A15092-90 | 2 | Hose Assembly, 3/8" x 90" (06F-08F) |
| 6 | *A26939-140 | 1 | Hose Assembly, 3/8" x 140" (1/2M-06F) |
| 7 | *A15082-132 | 1 | Hose Assembly, 3/8" x 132" (06F-06M) |
| 8 | *A1018 | 1 | Hose Assembly, 3/8" x 40" (08F-08F) |
| 9 | *A15092-106 | 1 | Hose Assembly, 3/8" x 106" (06F -08F) |
| 10 | *A15064 | 1 | Hose Assembly, 3/8" x 130" (06F-06F) |
| 11 | *A26940-260 | 1 | Hose Assembly, 3/8" x 260" (1/2M-06M) |
| 12 | GA24694 | 1 | See "Lift Cylinder" on page P164 |
| 13 | GA24891 | 1 | See "Selector Valve" on page P169 |
| 14 | GA9559 | 1 | See "Transport Latch Cylinder, All Sizes" on page P174 |
| 15 | GA8911 | 1 | See "Rotation Cylinder" on page P174 |
| 16 | GA24921 | 1 | See "Row Marker Sequencing/Flow Control Valve Fittings & Mount" on page P170 |
| 17 | GA21158 | 2 | See "Row Marker Cylinder" on page P166 |
| 18 | *A1090 | 2 | Hose Assembly, 3/8" x 162" (08F - 08F) |
| 19 | *A1078 | 2 | Hose Assembly, 3/8" x 174" (08F-08F) |
| 20 | GA6884 | 1 | Stroke Limiter Valve Complete |
| 21 | *A26941-112 | 1 | Hose Assembly, 3/8" x 112" (1/2M-10F) |
| 22 | *A21548-120 | 1 | Hose Assembly, 5/8" x 120" (1/2M-12F) |
| 23 | *G2403-12-10 | 1 | Union, Male 1-1/6"-12 JIC x 7/8"-14 JIC |
| 24 | *G2403-10 | 1 | Union, 7/8"-14 Male JIC |
| 25 | *G15098-150 | 1 | Hose Assembly, 3/8" x 150" (10F-06M) |
| 26 | *G15082-77 | 2 | Hose Assembly, 3/8" x 77" (06F-06M) |
| 27 | *G15023 | 1 | Hose Assembly, 3/8" x 154" (06F-06F) |
| 28 | *G3292 | 1 | Hose Assembly, 3/8" x 22" (06F-06F) |
| 29 | G10923501 | 1 | Vacuum Fan Assembly |
| 30 | *A12767 | 1 | Hose Assembly, 1/2" x 22" (08F-08F) |
| 31 | --- | 1 | See "Bulk Fill/Vacuum Anti-Cavitation Check Valve Block (Located on Vacuum Fan)" on page P173 |
| 32 | *A18668-152 | 1 | Hose Assembly, 1/2" x 152" (08F-10M) |
| 33 | *A15000 | 1 | Hose Assembly, 3/8" x 164" (06F-06F) |
| 34 | *A21525-77 | 1 | Hose Assembly, 5/8" x 77" (10F-10M) |
| 35 | *A15082-77 | 2 | Hose Assembly, 3/8" x 77" (06F-06M) |
| 36 | *A15092-155 | 1 | Hose Assembly, 3/8" x 155" (06F-08F) |
| 37 | *A21530-140 | 1 | Hose Assembly, 5/8" x 140" (10F-10F) |
| 38 | **G2403-08-06 | 1 | Union, Male 3/4"-16 JIC x 9/16"-18 JIC |
| 39 | *A26938-110 | 1 | Hose Assembly, 3/8" x 110" (1/2M-06F) |

***Hydraulic hose is not stocked by Kinze Repair Parts.**

(Z0407)



| ITEM | PART NO. | QTY. | DESCRIPTION |
|------|-------------|------|---|
| 1 | *A3292 | 1 | Hose Assembly, 3/8" x 22" (06F-06F) |
| 2 | *A12767 | 1 | Hose Assembly, 1/2" x 22" (08F-08F) |
| 3 | *A15023 | 1 | Hose Assembly, 3/8" x 154" (06F-06F) |
| 4 | *A18668-152 | 1 | Hose Assembly, 1/2" x 152" (08F-10M) |
| 5 | *A15000 | 1 | Hose Assembly, 3/8" x 164" (06F-06F) |
| 6 | *A15082-77 | 2 | Hose Assembly, 3/8" x 77" (06F-06M) |
| 7 | *A21525-77 | 1 | Hose Assembly, 5/8" x 77" (10F-10M) |
| 8 | *A21530-140 | 1 | Hose Assembly, 5/8" x 140" (10F-10F) |
| 9 | *A15092-155 | 1 | Hose Assembly, 3/8" x 155" (06F-08F) |
| 10 | *A15098-150 | 1 | Hose Assembly, 3/8" x 150" (10F-06M) |
| 11 | *A21548-120 | 1 | Hose Assembly, 5/8" x 120" (1/2M-12F) |
| 12 | *A26941-112 | 1 | Hose Assembly, 3/8" x 112" (1/2M-10F) |
| 13 | *A26938-110 | 1 | Hose Assembly, 3/8" x 110" (1/2M-06F) |
| 14 | *A15081-24 | 1 | Hose Assembly, 3/8" x 24" (06F-06F) |
| 15 | *A15082-154 | 1 | Hose Assembly, 3/8" x 154" (06F-06M) |
| 16 | *A12015 | 1 | Hose Assembly, 3/8" x 17" (06F - 06F) |
| 17 | *A8213 | 1 | Hose Assembly, 1/2" x 29" (08F - 08F) |
| 18 | *A12080 | 1 | Hose Assembly, 3/8" x 64" (06F - 06F) |
| 19 | *A15081-128 | 1 | Hose Assembly, 3/8" x 128" (06F - 06F) |
| 20 | *A1434 | 1 | Hose Assembly, 1/2" x 42.5" (08F-08F) |
| 21 | *A1155 | 1 | Hose Assembly, 1/4" x 48" (06F - 06F) |
| 22 | *A1153 | 1 | Hose Assembly, 1/4" x 56" (06F - 06F) |
| 23 | GA10918 | 1 | Flow Control Valve |
| 24 | GA19432 | 1 | Inline Check Valve |
| 25 | GA22901 | 1 | Shutoff Valve |
| 26 | GA24715 | 1 | Plunger Valve |
| 27 | --- | 1 | See "Bulk Fill/Vacuum Anti-Cavitation Check Valve Block (Located on Vacuum Fan)" on page P173 |
| 28 | GA24426 | 1 | Motor |
| 29 | --- | 1 | See "Vacuum Fan Assembly" on page P74 |
| 30 | --- | 1 | See "Bulk Fill/Vacuum Anti-Cavitation Check Valve Block (Located on Vacuum Fan)" on page P173 |

[See "Vacuum Conventional Planter Hydraulic System" on page P184](#) for part numbers of components that are not listed

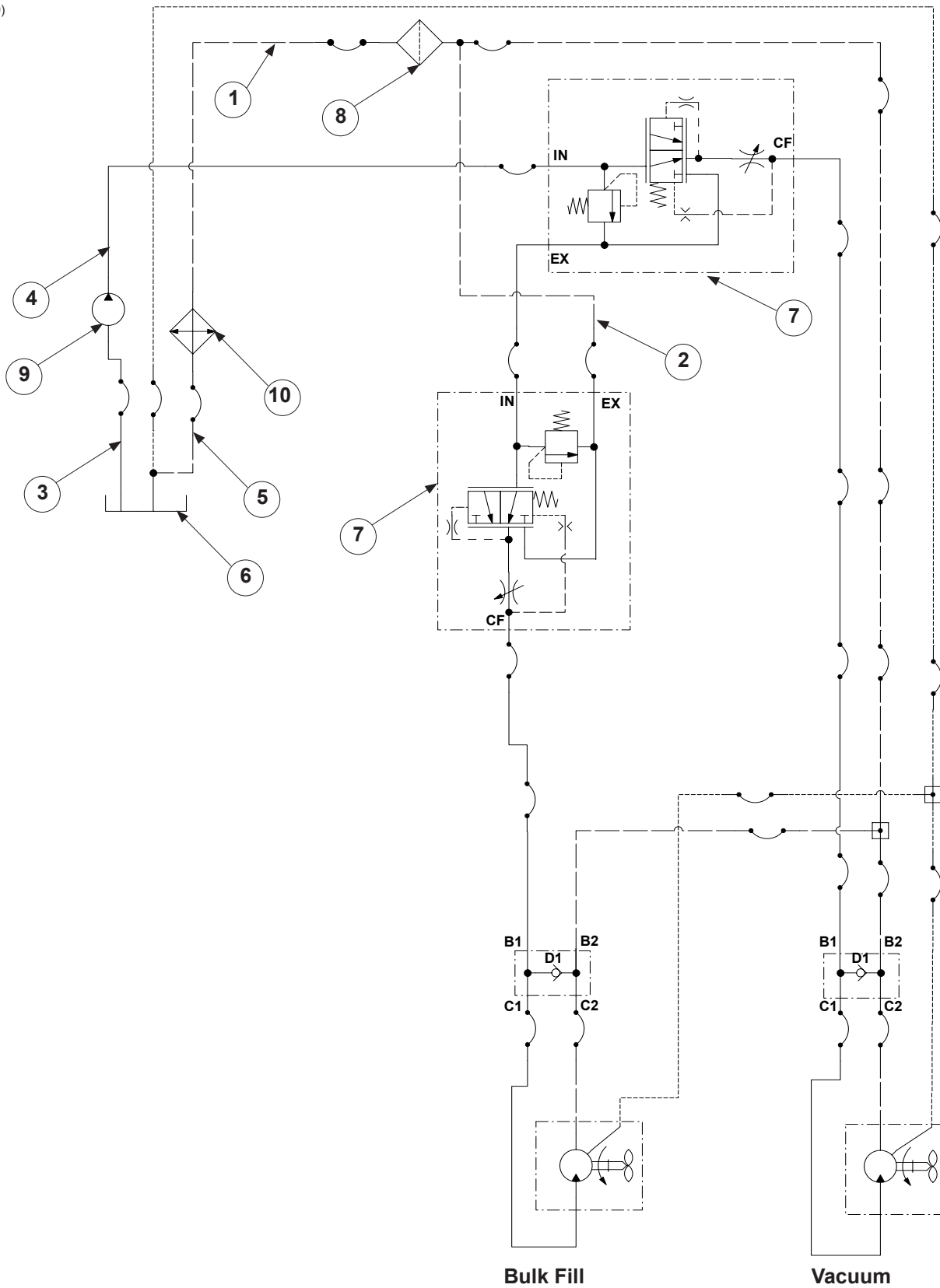
***Hydraulic hose is not stocked by Kinze Repair Parts.**

| ITEM | PART NO. | QTY. | DESCRIPTION |
|------|------------|------|-------------------------------------|
| 1 | *A3371 | 1 | Hose Assembly, 3/4" x 25" (12F-12F) |
| 2 | *A21533-36 | 1 | Hose Assembly, 3/4" x 30" (12M-12F) |
| 3 | *A6201 | 1 | Hose Assembly, 1" x 72" (16F-16F) |
| 4 | *A1421 | 1 | Hose Assembly, 1/2" x 84" (10F-10F) |
| 5 | *A11447 | 1 | Hose Assembly, 5/8" x 45" (12F-12F) |
| 6 | GA27105 | 1 | Hydraulic Tank Assembly |
| 7 | GA17113 | 1 | Fan and Cooler Assembly |
| 8 | GD10918 | 1 | Flow Control Valve |
| 9 | GD16037 | 1 | Oil Filter, 10 Micron |
| 10 | GA14446 | 1 | PTO Pump |

See ["Vacuum Conventional Planter Hydraulic System" on page P184](#) for part numbers of components that are not listed.

***Hydraulic hose is not stocked by Kinze Repair Parts.**

(Z0409)

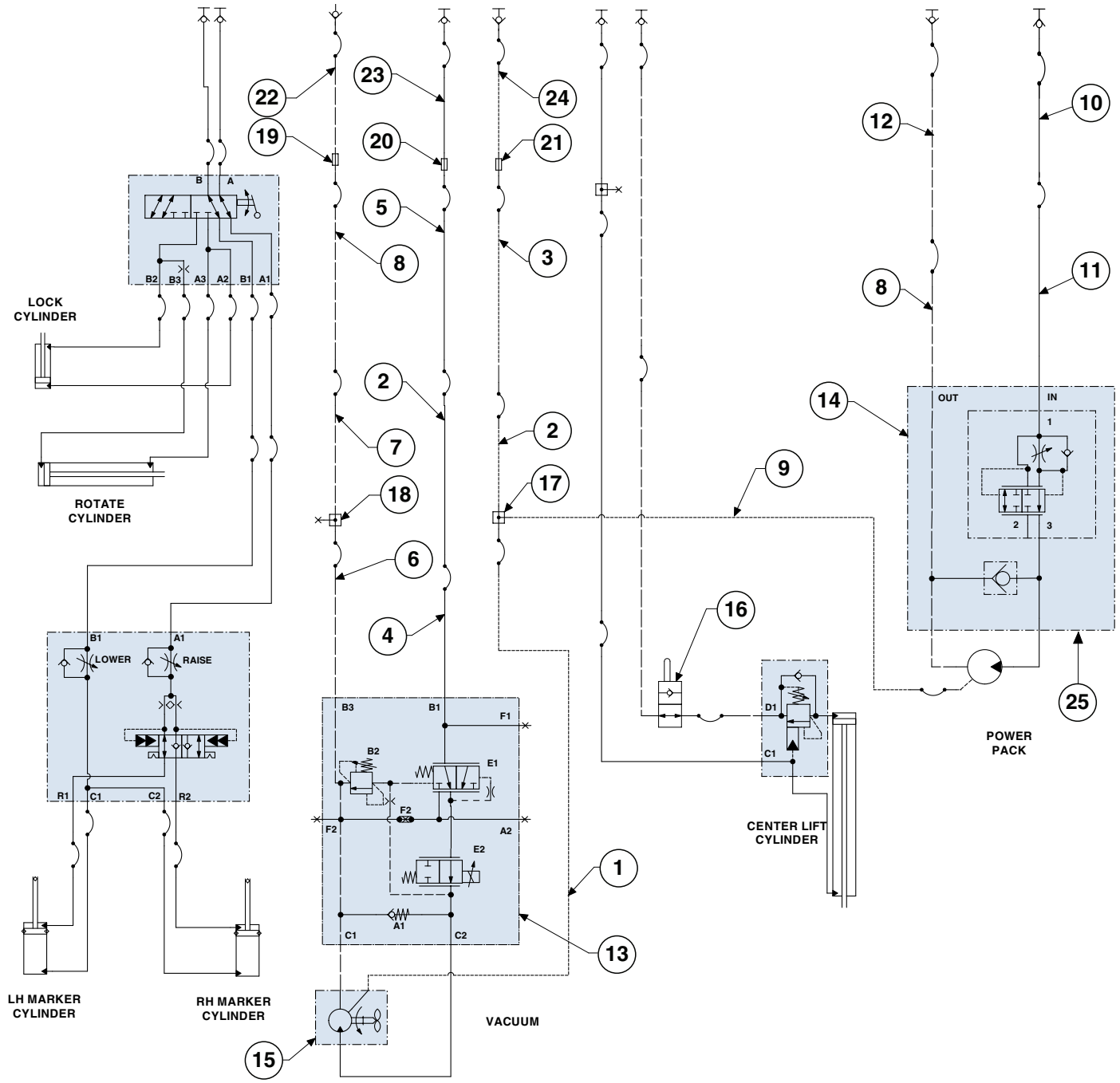


| ITEM | PART NO. | QTY. | DESCRIPTION |
|------|------------|------|-------------------------------------|
| 1 | *A3371 | 1 | Hose Assembly, 3/4" x 25" (12F-12F) |
| 2 | *A21533-30 | 1 | Hose Assembly, 3/4" x 30" (12M-12F) |
| 3 | *A6201 | 1 | Hose Assembly, 1" x 56" (16F-16F) |
| 4 | *A1421 | 1 | Hose Assembly, 1/2" x 84" (10F-10F) |
| 5 | *A11447 | 1 | Hose Assembly, 5/8" x 45" (12F-12F) |
| 6 | GA27105 | 1 | Hydraulic Tank Assembly |
| 7 | GA10918 | 2 | Flow Control Valve |
| 8 | GD16037 | 1 | Oil Filter, 10 Micron |
| 9 | GA14446 | 1 | PTO Pump |
| 10 | GA17113 | 1 | Fan and Cooler Assembly |

See ["Vacuum Conventional Planter Hydraulic System" on page P184](#) for part numbers of components that are not listed

***Hydraulic hose is not stocked by Kinze Repair Parts.**

(Z0445)



| ITEM | PART NO. | QTY. | DESCRIPTION |
|------|-------------|------|---|
| 1 | *A15000 | 1 | Hose Assembly, 3/8" x 164" (06F-06F) |
| 2 | *A15082-77 | 2 | Hose Assembly, 3/8" x 77" (06F-06M) |
| 3 | *A15092-155 | 1 | Hose Assembly, 3/8" x 155" (06F-08F) |
| 4 | *A25504-186 | 1 | Hose Assembly, 3/8" x 186" (08F S90-06F) |
| 5 | *A15098-150 | 1 | Hose Assembly 3/8" x 150" (10F-06M) |
| 6 | *A18676-184 | 1 | Hose Assembly, 1/2" x 184" (10F90S - 10M) |
| 7 | *A21525-77 | 1 | Hose Assembly, 5/8" x 77" (10F-10M) |
| 8 | *A21530-140 | 2 | Hose Assembly, 5/8" x 140" (10F-10F) |
| 9 | *A15081-95 | 1 | Hose Assembly, 3/8" x 95" (06F-06F) |
| 10 | *A18695-246 | 1 | Hose Assembly, 1/2" x 246" (7/8-14 Female JIC x 1/2" Male NPTF) |
| 11 | *A18667-180 | 1 | Hose Assembly, 1/2" x 180" (08F-08F) |
| 12 | *A21550-288 | 1 | Hose Assembly, 5/8" x 288" (1/2M NPTF W/ Special Tip - 10F) |
| 13 | --- | - | See "Hydraulic Valve Block on Vacuum Motor" on page P80 |
| 14 | --- | - | See "Power Pack Assembly" on page P213 |
| 15 | --- | - | See "Blue Drive Vacuum Fan Assembly" on page P78 |
| 16 | --- | - | See "Stroke Limiter Valve, Conventional" on page P169 |
| 17 | G2603-06 | 1 | Tee, 9/16"-18 Male JIC |
| 18 | G6602-10 | 1 | Swivel Tee, 7/8"-14 JIC |
| 19 | G2403-12-10 | 1 | Union, Male 1-1/6-12 JIC x 7/8-14 JIC |
| 20 | G2403-10 | 1 | Union, 7/8"-14 Male JIC |
| 21 | G2403-08-06 | 1 | Union, Male 3/4-16 JIC x 9/16-18 JIC |
| 22 | *A21548-120 | 1 | Hose Assembly 5/8" x 120" (1/2M - 12F) |
| 23 | *A26941-112 | 1 | Hose Assembly 3/8" x 112" (1/2M NPTF W/Tip - 06M) |
| 24 | *A26938-110 | 1 | Hose Assembly 3/8 X 110 (1/2M - 06F) |
| 25 | *10199901 | 1 | See "Manifold Hydraulic Block Assembly" on page P171 |

[See "Vacuum Conventional Planter Hydraulic System" on page P184](#) for part numbers of components that are not listed

***Hydraulic hose is not stocked by Kinze Repair Parts.**

| ITEM | PART NO. | QTY. | DESCRIPTION |
|------|-------------|------|---|
| 1 | *A15000 | - | Hose Assembly, 3/8" x 164" (06F-06F) |
| 2 | *A15082-77 | - | Hose Assembly, 3/8" x 77" (06F-06M) |
| 3 | *A15092-155 | - | Hose Assembly, 3/8" x 155" (06F-08F) |
| 4 | *A25504-186 | - | Hose Assembly, 3/8" x 186" (08F S90-06F) |
| 5 | *A15098-150 | - | Hose Assembly 3/8" x 150" (10F-06M) |
| 6 | *A18676-184 | - | Hose Assembly, 1/2" x 184" (10F90S - 10M) |
| 7 | *A21525-77 | - | Hose Assembly, 5/8" x 77" (10F-10M) |
| 8 | *A21530-140 | - | Hose Assembly, 5/8" x 140" (10F-10F) |
| 9 | *A15081-95 | - | Hose Assembly, 3/8" x 95" (06F-06F) |
| 10 | *A18695-246 | - | Hose Assembly, 1/2" x 246" |
| 11 | *A18667-180 | - | Hose Assembly, 1/2" x 180" (08F-08F) |
| 12 | *A21550-288 | - | Hose Assembly, 5/8" x 288" (1/2M NPTF W/ Special Tip - 10F) |
| 13 | --- | - | See "Hydraulic Valve Block on Vacuum Motor" on page P80 |
| 14 | --- | - | See "Power Pack Assembly" on page P215 |
| 15 | --- | - | See "Blue Drive Vacuum Fan Assembly" on page P78 |
| 16 | --- | - | See "Stroke Limiter Valve, Bulk Fill" on page P146 |
| 17 | --- | - | See "Blue Drive Vacuum Fan Assembly" on page P78 |
| 18 | --- | - | See "Hydraulic Valve Block on Vacuum Motor" on page P80 |
| 19 | G2403-12-10 | - | Union Male 1-1/6-12 JIC X 7/8-14 JIC |
| 20 | G2403-10 | - | Union, 7/8"-14 Male JIC |
| 21 | G2403-08-06 | - | Union Male 3/4-16 JIC X 9/16-18 JIC |
| 22 | G6602-10 | - | Swivel Tee, 7/8"-14 JIC |
| 23 | G2603-06 | - | Tee, 9/16"-18 Male JIC |
| 24 | GA19432 | - | Inline Check Valve |
| 25 | GA22901 | - | Shutoff Valve |
| 26 | G6602-06 | - | Swivel Tee, 9/16"-18 JIC |
| 27 | G6602-08 | - | Swivel Tee, 3/4"-16 JIC |
| 28 | *A12080 | - | Hose Assembly, 3/8" x 64" (06F-06F) |
| 29 | *A1153 | - | Hose Assembly, 1/4" x 56" (06F-06F) |
| 30 | *A1155 | - | Hose Assembly, 1/4" x 48" (06F-06F) |
| 31 | *A12015 | - | Hose Assembly, 3/8" x 17" (06F-06F) |
| 32 | *A8213 | - | Hose Assembly, 1/2" X 29" (08F-08F) |
| 33 | *A3274 | - | Hose Assembly, 3/8" x 116" (06F-08F) |
| 34 | *A15082-154 | - | Hose Assembly, 3/8" x 154" (06F-06M) |
| 35 | *A18644 | - | Hose Assembly, 1/2" x 34" (08F-10F) |
| 36 | *A21548-120 | - | Hose Assembly, 5/8" x 120" (1/2M-12F) |
| 37 | *A26941-112 | - | Hose Assembly, 3/8" x 112" (1/2M-10F) |
| 38 | *A26938-110 | - | Hose Assembly, 3/8" x 110" (1/2M-06F) |
| 39 | *10199901 | - | See "Manifold Hydraulic Block Assembly" on page P171 |

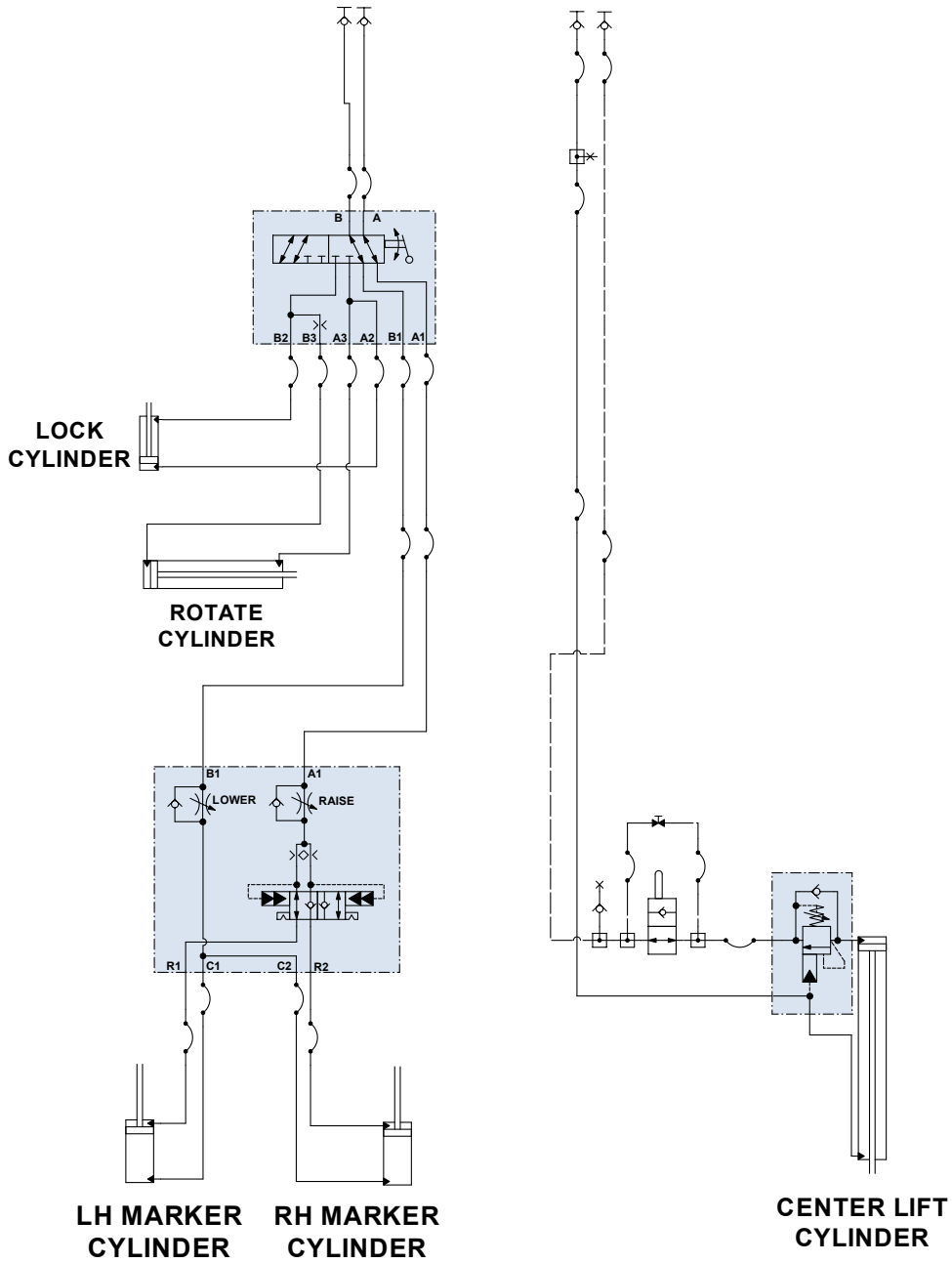
[See "Vacuum Conventional Planter Hydraulic System" on page P184](#) for part numbers of components that are not listed

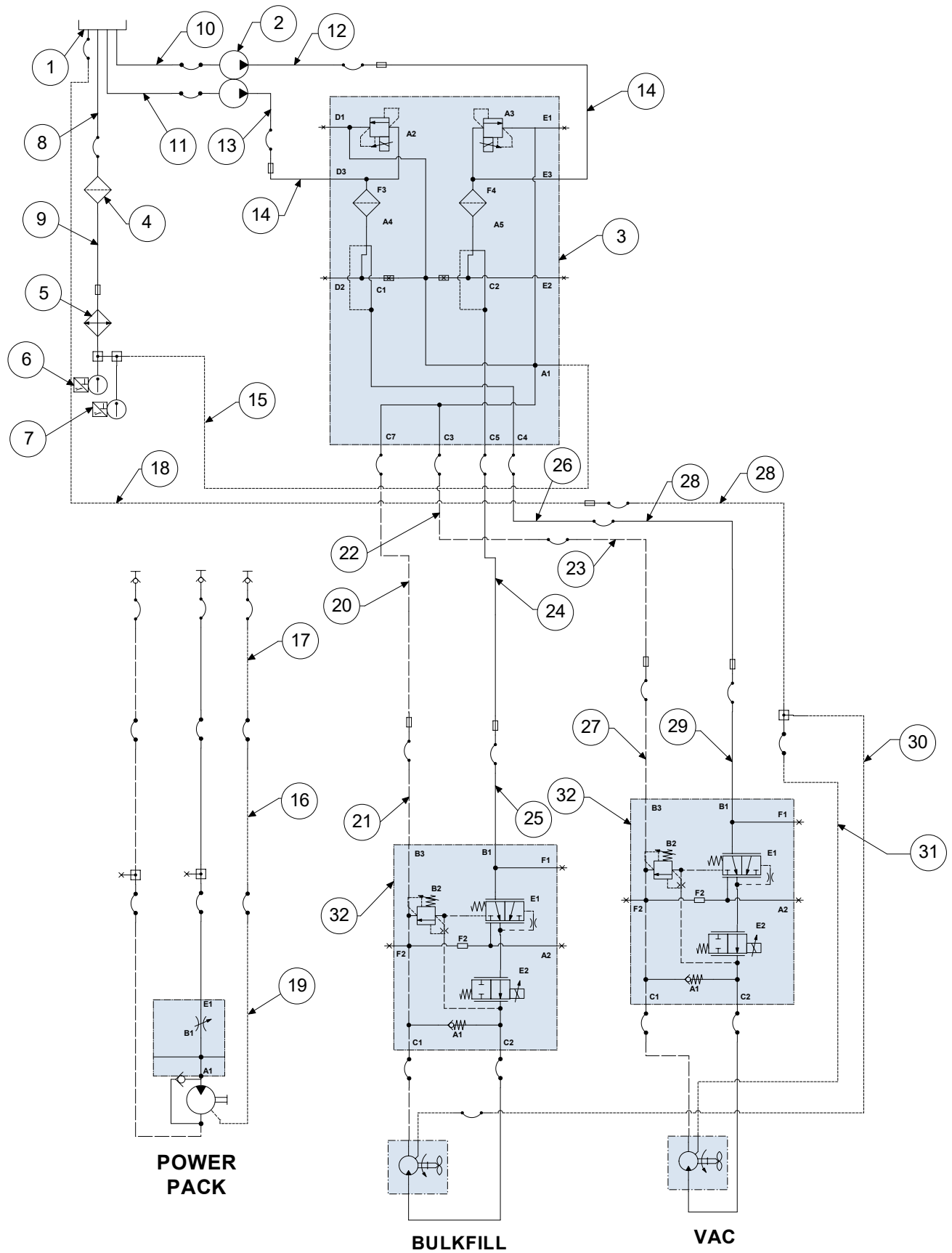
***Hydraulic hose is not stocked by Kinze Repair Parts.**

| ITEM | PART NO. | QTY. | DESCRIPTION |
|------|------------|------|---|
| 1 | *A3371 | 1 | Hose Assembly, 3/4" x 25" (12F-12F) |
| 2 | *A21533-36 | 1 | Hose Assembly, 3/4" x 36" (12F-12F) |
| 3 | *A6201 | 1 | Hose Assembly, 1" x 72" |
| 4 | *A1421 | 1 | Hose Assembly, 1/2" x 107" |
| 5 | *A11447 | 1 | Hose Assembly, 5/8" x 45" (12F-12F) |
| 6 | G10200501 | 1 | Hydraulic Tank, 10 Gal. W/Strainer |
| 7 | --- | 1 | See "PTO Cooler and Filter Assembly w/ Mounts" on page P88 |
| 8 | --- | 1 | See "PTO Hydraulic Block Assembly, Blue Drive" on page P175 |
| 9 | GD16037 | 1 | Oil Filter, 10 Micron |
| 10 | GA14446 | 1 | PTO Pump |

[See "Blue Drive Vacuum Conventional Planter Hydraulic System" on page P192](#) for part numbers of components that are not listed.

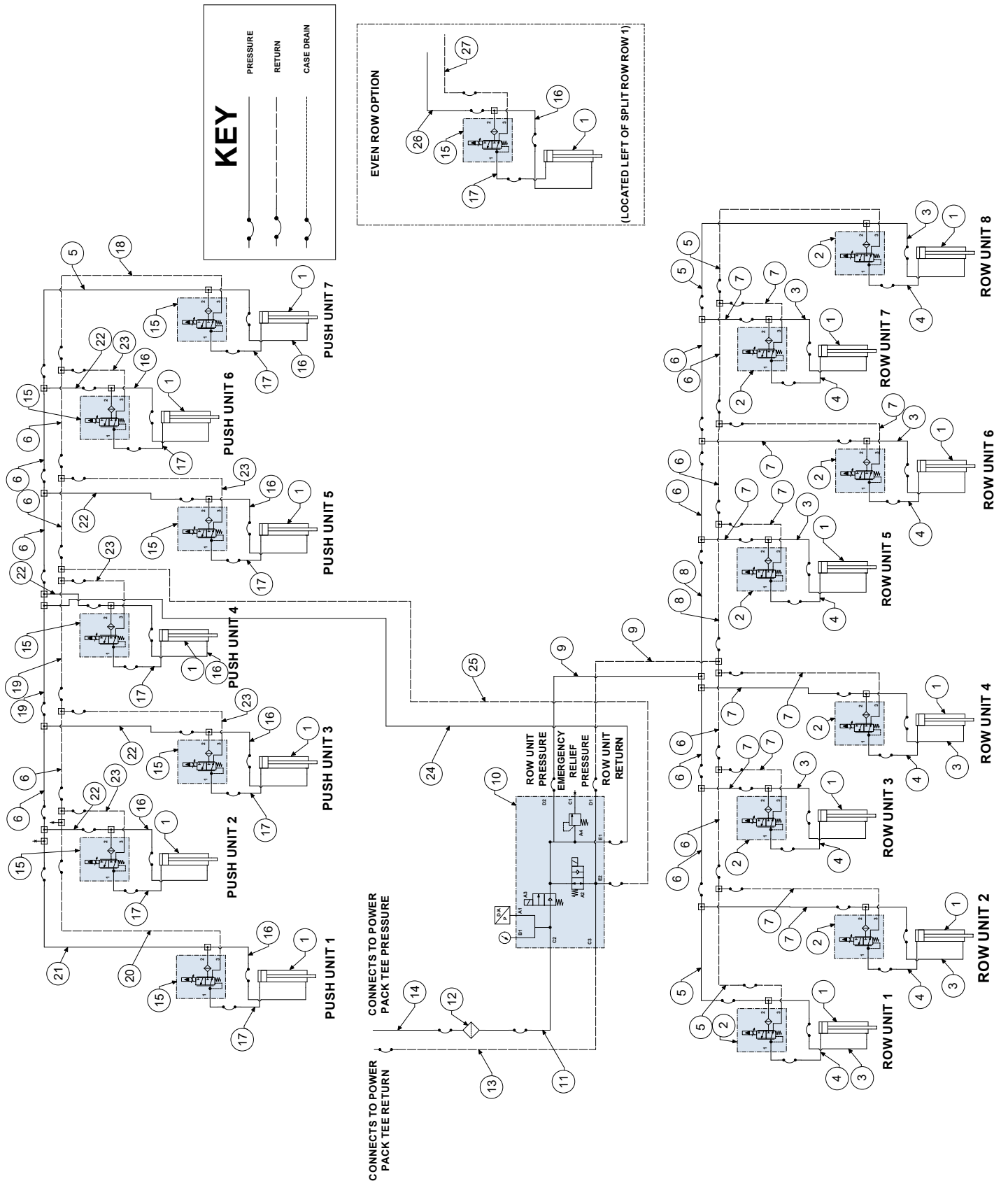
***Hydraulic hose is not stocked by Kinze Repair Parts.**





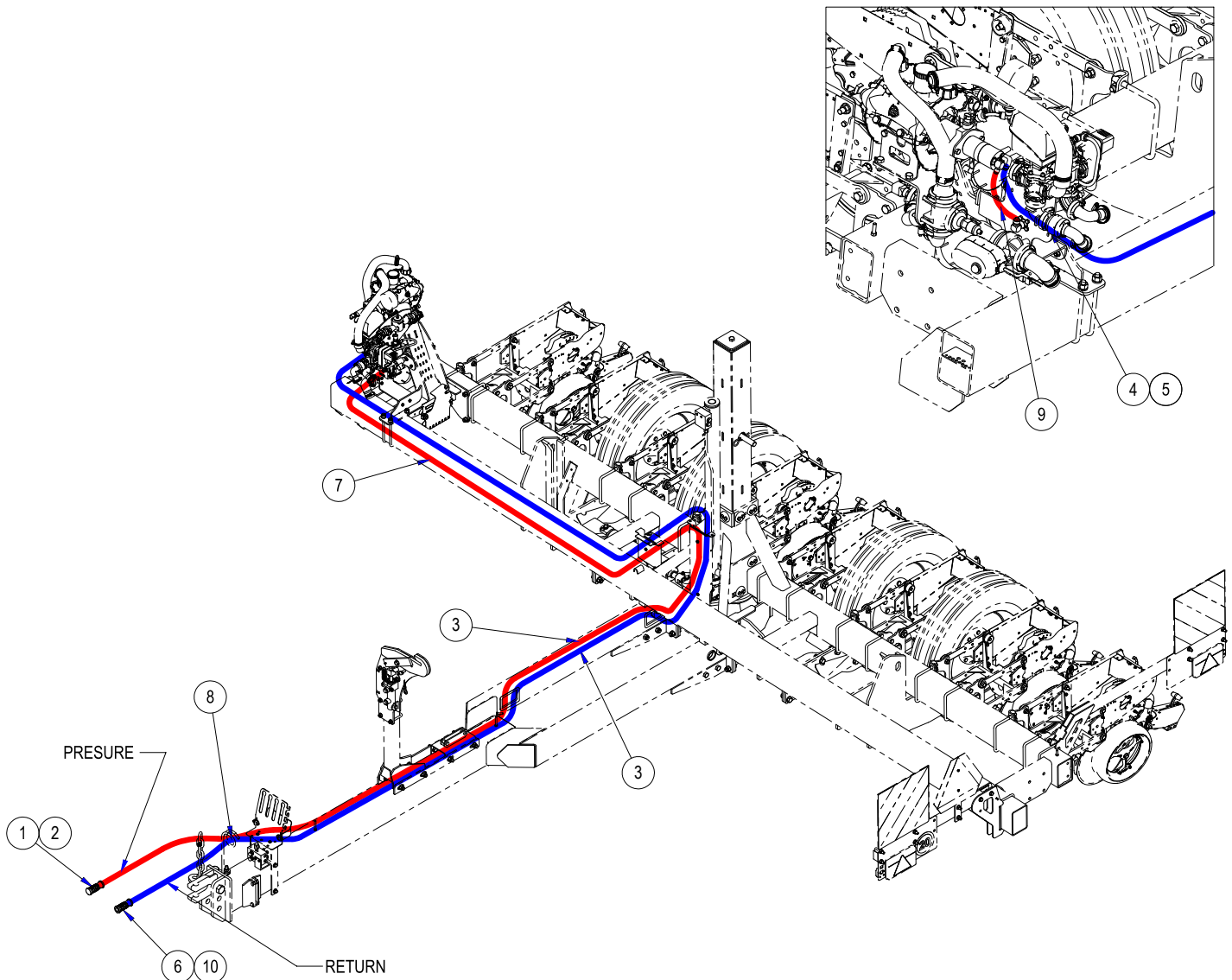
| ITEM | PART NO. | QTY. | DESCRIPTION |
|------|-------------|------|---|
| 1 | G10333801 | 1 | PTO Reservoir |
| 2 | G10288701 | 1 | Gear Pump |
| 3 | G10186901 | 1 | Manifold Block |
| 4 | GD16037 | 1 | Oil Filter, 10 Micron |
| 5 | G10339301 | 1 | Oil Cooler and Fan |
| 6 | G10087001 | 1 | Temperature Sensor, 100° |
| 7 | G10098201 | 1 | Temperature Sensor, 200° |
| 8 | * A12937-24 | 1 | Hose Assembly, 3/4" x 24" (12F - 12F90S) |
| 9 | G10399801 | 1 | Steel Hydraulic Line, 3/4" |
| 10 | *A11810-72 | 1 | Hose Assembly, 1" x 72" (20F - 20F) |
| 11 | *A11810-68 | 1 | Hose Assembly, 1" x 68 (20F - 20F) |
| 12 | *A25707-72 | 1 | Hose Assembly, 1/2" AR x 72" (10F45 - 12F) |
| 13 | *A25707-68 | 1 | Hose Assembly, 1/2" AR x 68" (10F45 - 12F) |
| 14 | G10333501 | 2 | Steel Hydraulic Line, 5/8" |
| 15 | G10399901 | 1 | Steel Hydraulic Line, 3/4" |
| 16 | *A15082-77 | 1 | Hose Assembly, 3/8" x 77" (06F-06M) |
| 17 | *A26938-266 | 1 | Hose Assembly, 3/8" x 266" |
| 18 | *A15092-155 | 1 | Hose Assembly, 3/8" x 155" (06F-08F) |
| 19 | *A15081-95 | 1 | Hose Assembly, 3/8" x 95" (06F-06F) |
| 20 | *A25704-242 | 1 | Hose Assembly, 1/2" AR x 242" (08F - 08M JIC) |
| 21 | *A18644 | 1 | Hose Assembly, 1/2" x 34" (08F-10F) |
| 22 | *A21530-140 | 1 | Hose Assembly, 5/8" x 140" (10F-10F) |
| 23 | *A21525-77 | 1 | Hose Assembly, 5/8" x 77" (10F-10M) |
| 24 | *A15082-154 | 1 | Hose Assembly, 3/8" x 154" (06F-06M) |
| 25 | *A3274 | 1 | Hose Assembly, 3/8" x 116" (06F-08F) |
| 26 | *A15098-150 | 1 | Hose Assembly 3/8" x 150" (10F-06M) |
| 27 | *A18676-184 | 1 | Hose Assembly, 1/2" x 184" (10F90S - 10M) |
| 28 | *A15082-77 | 2 | Hose Assembly, 3/8" x 77" (06F-06M) |
| 29 | *A25504-186 | 1 | Hose Assembly, 3/8" x 186" (08F S90-06F) |
| 30 | *A12080 | 1 | Hose Assembly, 3/8" x 64" (06F-06F) |
| 31 | *A15000 | 1 | Hose Assembly, 3/8" x 164" (06F-06F) |
| 32 | GA26164 | 2 | Blue Drive Block |

*Hydraulic hose is not stocked by Kinze Repair Parts.



| ITEM | PART NO. | QTY. | DESCRIPTION |
|------|------------|------|--|
| 1 | GA25261 | 16 | Cylinder Complete, 1¼" x 4¼" |
| 2 | GA25264 | 8 | Row Unit Control Block |
| 3 | *A7677-20 | 8 | Hose Assembly, 1/4" x 20" (04F - 04F STD 90) |
| 4 | *A7678-13 | 8 | Hose Assembly, 1/4" x 13" (04F-04F) |
| 5 | *A7680-35 | 5 | Hose Assembly, 1/4" x 35" (04F-06F) |
| 6 | *A12038 | 14 | Hose Assembly, 3/8" x 30" (06F-06F) |
| 7 | *A7680-10 | 12 | Hose Assembly, 1/4" x 10" (04F-06F) |
| 8 | *A15081-32 | 2 | Hose Assembly, 3/8" x 32" (06F-06F) |
| 9 | *A25504-19 | 2 | Hose Assembly, 3/8" x 19" (06F-08F90S) |
| 10 | GA25289 | 1 | Down Force Manifold Block Assembly |
| 11 | *A18671-30 | 1 | Hose Assembly, 1/2" x 30" (08F-08F90S) |
| 12 | GA25857 | 1 | In-Line Filter Assembly |
| 13 | *A21542-64 | 1 | Hose Assembly, 5/8" x 64" (10F-10F90M) |
| 14 | *A18667-72 | 1 | Hose Assembly, 1/2" x 72" (08F-08F) |
| 15 | GA25265 | 8 | Row Unit Control Block |
| 16 | *A7678-19 | 8 | Hose Assembly, 1/4" x 19" (04F-04F) |
| 17 | *A7678-20 | 8 | Hose Assembly, 1/4" x 20" (04F-04F) |
| 18 | *A7682-35 | 1 | Hose Assembly, 1/4" x 35" (04F90L-06F) |
| 19 | *A15081-27 | 2 | Hose Assembly, 3/8" x 27" (06F-06F) |
| 20 | *A7682-25 | 1 | Hose Assembly, 1/4" x 25" (04L90F-06F) |
| 21 | *A7680-15 | 1 | Hose Assembly, 1/4" x 15" (04F-06F) |
| 22 | *A7680-11 | 5 | Hose Assembly, 1/4" x 11" (04F-06F) |
| 23 | *A7680-14 | 5 | Hose Assembly, 1/4" x 14" (04F-06F) |
| 24 | *A25690-67 | 1 | Hose Assembly, 3/8" x 67" (06F-08F90M) |
| 25 | *A25690-58 | 1 | Hose Assembly, 3/8" x 58" (06F-08F90M) |
| 26 | *A7681-58 | 1 | Hose Assembly, 1/4" x 58" (0490F-06F) |
| 27 | *A7682-58 | 1 | Hose Assembly, 1/4" x 58" (04F90L-06F) |

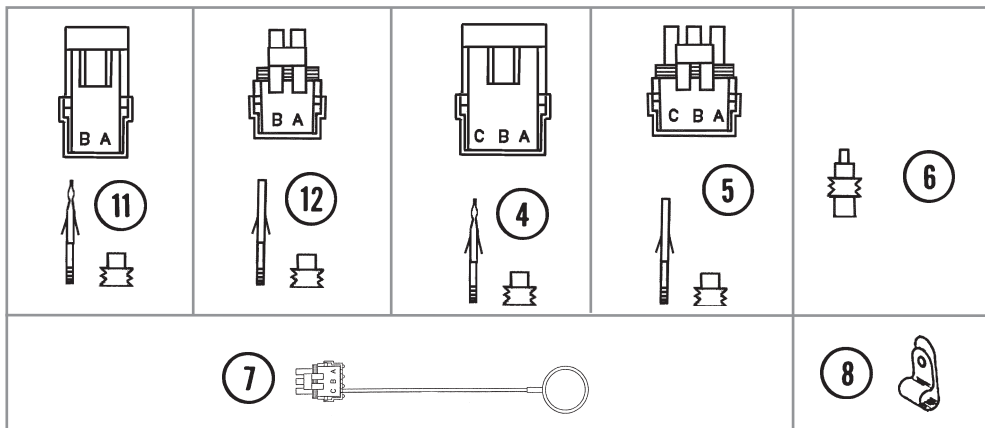
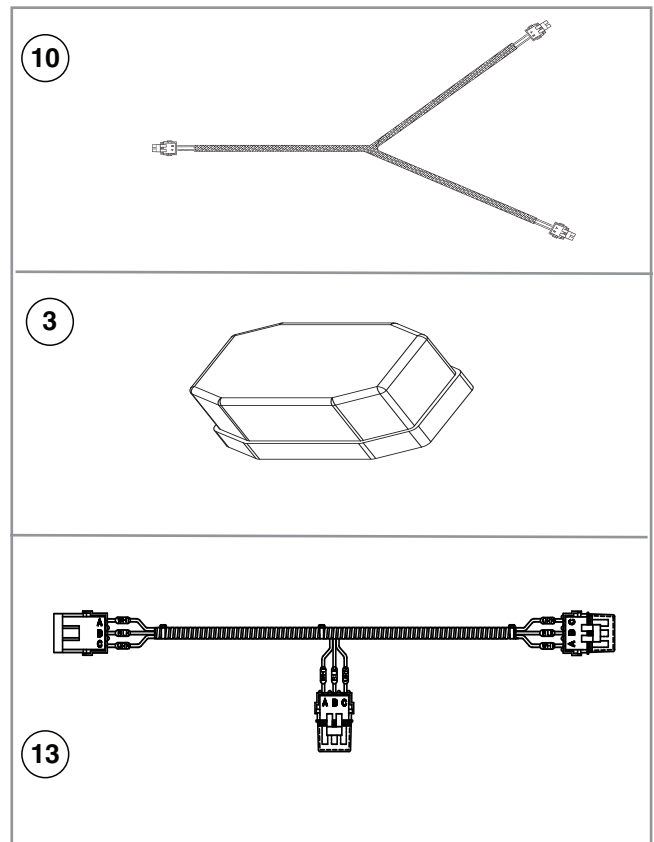
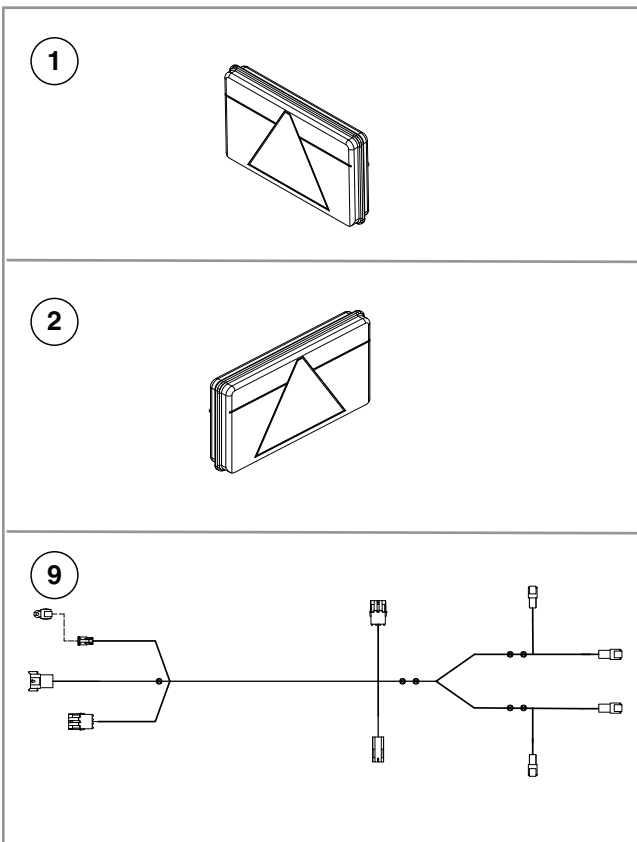
*Hydraulic hose is not stocked by Kinze Repair Parts.



| ITEM | PART NO. | QTY. | DESCRIPTION |
|------|-------------|------|--|
| 1 | GA26924-12 | 1 | Hose Label Cover, Brown Extend |
| 2 | *A26936-250 | 1 | Hose Assembly W/Tip, 3/8" x 250" (1/2" M NPTF - 08F) |
| 3 | G2403-08 | 2 | Hydraulic Fitting |
| 4 | *A1029 | 1 | Hose Assembly, 3/8" x 190" |
| 5 | G2406-08-06 | 1 | Reducer, 3/4"-16 Female JIC To 9/16"-18 Male JIC |
| 6 | GA26924-13 | 1 | Hose Label Cover, Brown Retract |
| 7 | *A1078 | 1 | Hose Assembly, 3/8" x 174" |
| 8 | G10542204 | 1 | Hose Wrap, 0.5 M |
| 9 | *A12015 | 1 | Hose Assembly, 3/8" x 17" |
| 10 | *A26937-269 | 1 | Hose Assembly W/Tip, 3/8" x 269" (1/2" M NPTF - 08F) |

*Hydraulic hose is not stocked by Kinze Repair Parts.

(TWL23/A9152a/ELC38/MTR27v/MTR27a/ELC8/ELC39/A9689/A10924)



Electrical Components

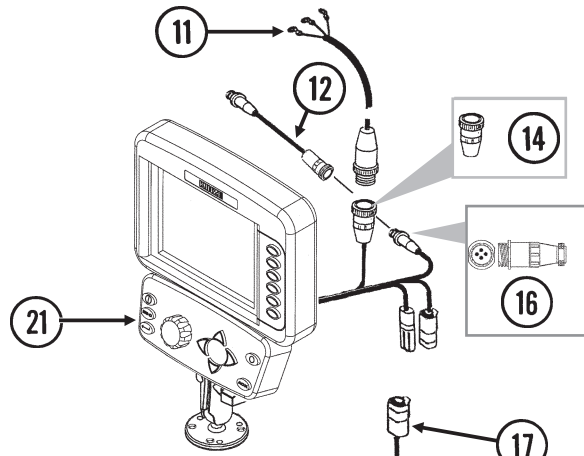
M0311-02

Model 3505

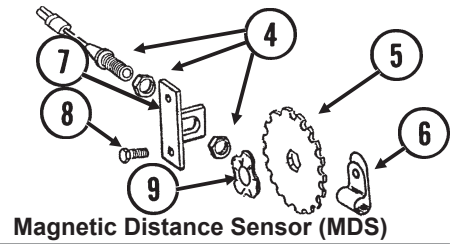
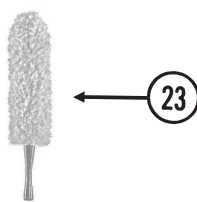
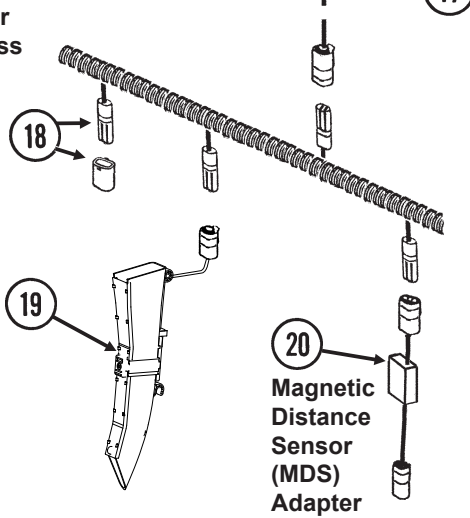
| ITEM | PART NO. | QTY. | DESCRIPTION |
|------|-----------|------|--|
| 1 | GA25774 | 1 | Light Assembly (RH) |
| 2 | GA25775 | 1 | Light Assembly (LH) |
| 3 | GA25776 | 2 | Light Assembly |
| 4 | G1K248 | - | 3-Pin Female Connector Kit (Black), Includes: (3) 3-Pin Female Housings, (9) Pin Contacts, (9) Seals |
| 5 | G1K252 | - | 3-Pin Male Connector Kit (Black), Includes: (3) 3-Pin Male Housings, (9) Socket Contacts, (9) Seals |
| 6 | GD11089 | - | Sealing Plug |
| 7 | GA8047 | - | Dust Plug (Black) |
| 8 | GD6291 | 1-2 | Insulated Clamp, 3/8" |
| | GD22965 | - | Insulated Clamp, 1/4" |
| | G11091 | - | Serrated Flange Nut, 3/8"-16 |
| 9 | G10316201 | - | 7 Terminal Female Connector (Included W/GA9152 and GA9153) |
| 10 | GA10924 | 1 | Wiring Harness, 348" |
| 11 | G1K321 | - | 2-Pin Female Connector Kit (Black), Includes: (3) 2-Pin Female Housings, (6) Pin Contacts, (6) Seals |
| 12 | G1K320 | - | 2-Pin Male Connector Kit (Black), Includes: (3) 2-Pin Male Housings, (6) Socket Contacts, (6) Seals |
| 13 | GA13551 | - | Tee Junction Harness |

(MTR58)

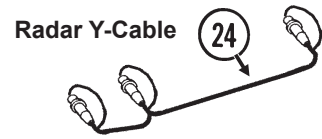
Power Lead Adapter



Planter Harness

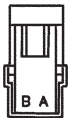
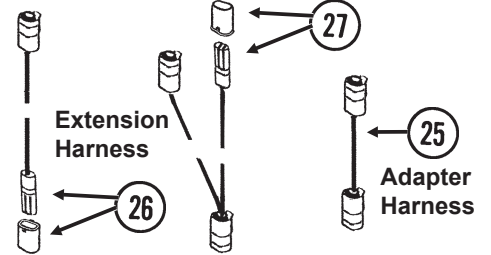


Magnetic Distance Sensor (MDS)



Radar Y-Cable

Junction Y-Harness



28



29



30



31

32

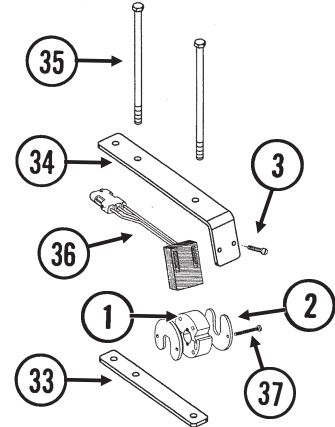


15



22

Shaft Rotation Sensor

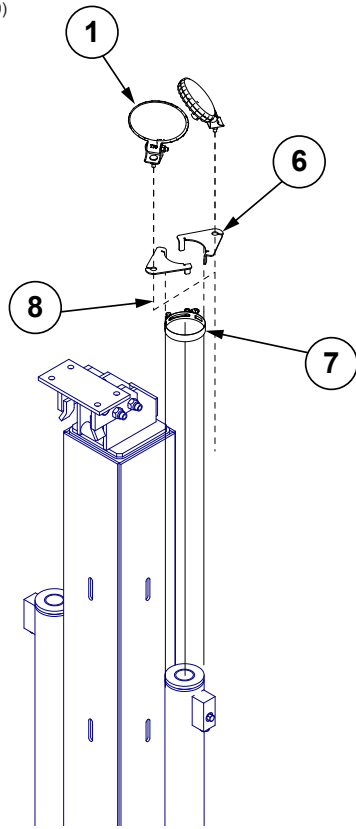


| ITEM | PART NO. | QTY. | DESCRIPTION |
|------|-----------|------|---|
| 1 | GR1414 | 1 | Actuator |
| 2 | GD11474 | 2 | Cover |
| 3 | G11960 | 2 | Philips Pan Head Machine Screw #8-32 x 1-1/4" |
| | G11961 | 2 | Flat Washer #8 |
| | G11202 | 2 | Lock Nut W/Nylon Insert, No. 8-32, Stainless Steel |
| 4 | GA5600 | 1 | Magnetic Distance Sensor |
| 5 | GD8751 | - | Magnetic Distance Sensor Pulse Wheel |
| 6 | GD13348 | - | Insulated Clamp, 1 1/16" |
| 7 | GD8770 | 1 | Bracket |
| 8 | G11124 | 2 | Hex Head Cap Screw, 3/8"-16 x 1" |
| | G10229 | 2 | Lock Washer, 3/8" |
| | G10101 | 2 | Hex Nut, 3/8"-16 |
| 9 | GD8771 | 1 | Spring Wave Washer |
| 10 | --- | - | --- |
| 11 | GA17547 | 1 | Power Adapter Cable |
| 12 | GA9144 | - | Monitor/Radar Adapter Cable, 10" |
| 13 | --- | - | --- |
| 14 | G1K268 | - | Console Cable Connector Kit, Includes: (1) Cable Clamp, (1) 3-Pin Connector, (1) Lock Ring, (3) Female Terminal Pins |
| 15 | GA8046 | - | Dust Plug (Black) |
| | GA9978 | - | Dust Plug (Blue) |
| 16 | G1K322 | - | 4-Pin Connector Kit W/Male Housing, Includes: (4) Female Socket Contacts And (1) Cable Clamp |
| 17 | --- | - | Included In Light Wiring Harness, See Item 2, page P204 |
| 18 | GA7850 | - | Planter Harness W/Dust Caps, 8 Row (12 Connectors) |
| | GB1090 | - | Dust Cap (Included W/GA7850) |
| 19 | GA21515 | - | Seed Tube W/Computerized Sensor |
| | GA20902 | - | Seed Tube (With Holes For Sensor Installation) |
| 20 | GA7859 | 1 | Magnetic Distance Sensor Adapter (Analog To Digital) |
| 21 | G8647X | 1 | KPM III Backlit Console W/Brush (Item 23), Dust Plug (Item 22), Console Mounting Bracket Hardware And Power Harness |
| | GA12403 | - | Mounting Bracket Assembly, Includes: (2) Mounting Brackets, (2) Connector Halves, (1) Compression Spring, (1) Tension Knob, (1) 1/4"-20 x 1 3/4" Hex Head Cap Screw, (1) 1/4" Plastic Washer, (1) 1/4" Steel Washer |
| | GR1762 | - | Console Mounting Bracket Hardware Package, Includes: (3) No. 10-32 x 5/8" Hex Socket Pan Head Plated Screws, (3) 1/4" Plated Lock Washers |
| | GA16082 | - | KPM III Console Power Harness |
| 22 | GA8047 | - | Dust Plug (Black) |
| | GA9978 | - | Dust Plug (Blue) |
| 23 | G10475701 | - | Professional Microfiber Duster, 19" (for cleaning Seed Tube sensors) |
| 24 | GR0586 | 1 | Radar Y-Cable (Used To Connect Radar Distance Sensor For Multiple Functions) |
| 25 | GA7857 | - | Adapter Harness, 1' |
| 26 | GA7854 | - | Extension Harness W/Dust Cap, 15' |
| | GA7855 | - | Extension Harness W/Dust Cap, 30' |
| | GB1090 | - | Dust Cap (Included W/GA7854 and GA7855) |
| 27 | GA7853 | - | Junction Y-Harness W/Dust Cap |
| | GB1090 | - | Dust Cap (Included W/GA7853) |
| 28 | G1K321 | - | 2-Pin Female Connector Kit (Black), Includes: (3) 2-Pin Female Housings, (6) Pin Contacts, (6) Seals |
| 29 | G1K320 | - | 2-Pin Male Connector Kit (Black), Includes: (3) 2-Pin Male Housings, (6) Socket Contacts, (6) Seals |

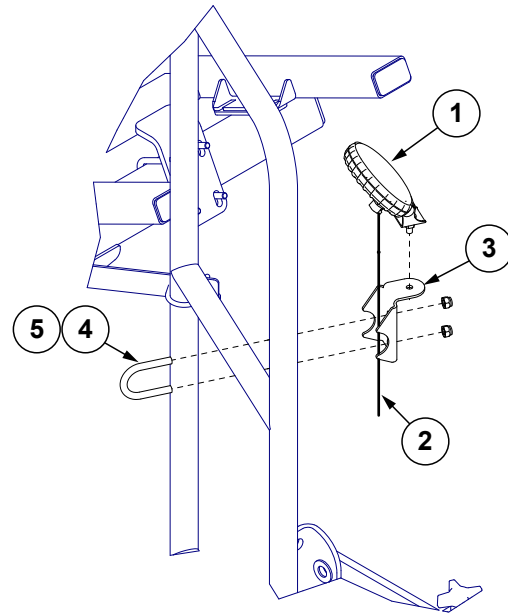
Continued on the next page.

| ITEM | PART NO. | QTY. | DESCRIPTION |
|------|-----------|------|--|
| 30 | G1K248 | - | 3-Pin Female Connector Kit (Black), Includes: (3) 3-Pin Female Housings, (9) Pin Contacts, (9) Seals |
| | G1K362 | - | 3-Pin Female Connector Kit (Blue), Includes: (3) 3-Pin Female Housings, (9) Pin Contacts, (9) Seals |
| 31 | G1K252 | - | 3-Pin Male Connector Kit (Black), Includes: (3) 3-Pin Male Housings, (9) Socket Contacts, (9) Seals |
| | G1K363 | - | 3-Pin Male Connector Kit (Blue), Includes: (3) 3-Pin Male Housings, (9) Socket Contacts, (9) Seals |
| 32 | GD11089 | - | Sealing Plug |
| 33 | GD18168 | 2 | Mount |
| 34 | GD18118 | 2 | Shaft Sensor Mount |
| 35 | G10229401 | 2 | Hex Head Cap Screw, 3/8"-16 x 8-1/2" |
| | G11387 | 1 | Flat Washer, 3/8" |
| | G10108 | 2 | Lock Nut, 3/8"-16 |
| 36 | GR1415 | 1 | Rotation Sensor |
| 37 | G11202 | 2 | Lock Nut W/Nylon Insert, No. 8-32, Stainless Steel |
| | G11960 | 2 | Philips Pan Head Machine Screw #8-32 x 1-1/4" |
| A | GA6147 | - | Magnetic Distance Sensor And Mounting Package (Items 4-9) |
| B | GR1763 | - | KPM III Loaner (Display Only) |
| C | GA13521 | - | Shaft Sensor Mounting Package (Items 2-3 and 33-35) |
| D | GA8135 | - | Shaft Rotation Kit, Includes: (2) Actuators (2) Rotation Sensors |

(10047601/A24506/A26060)



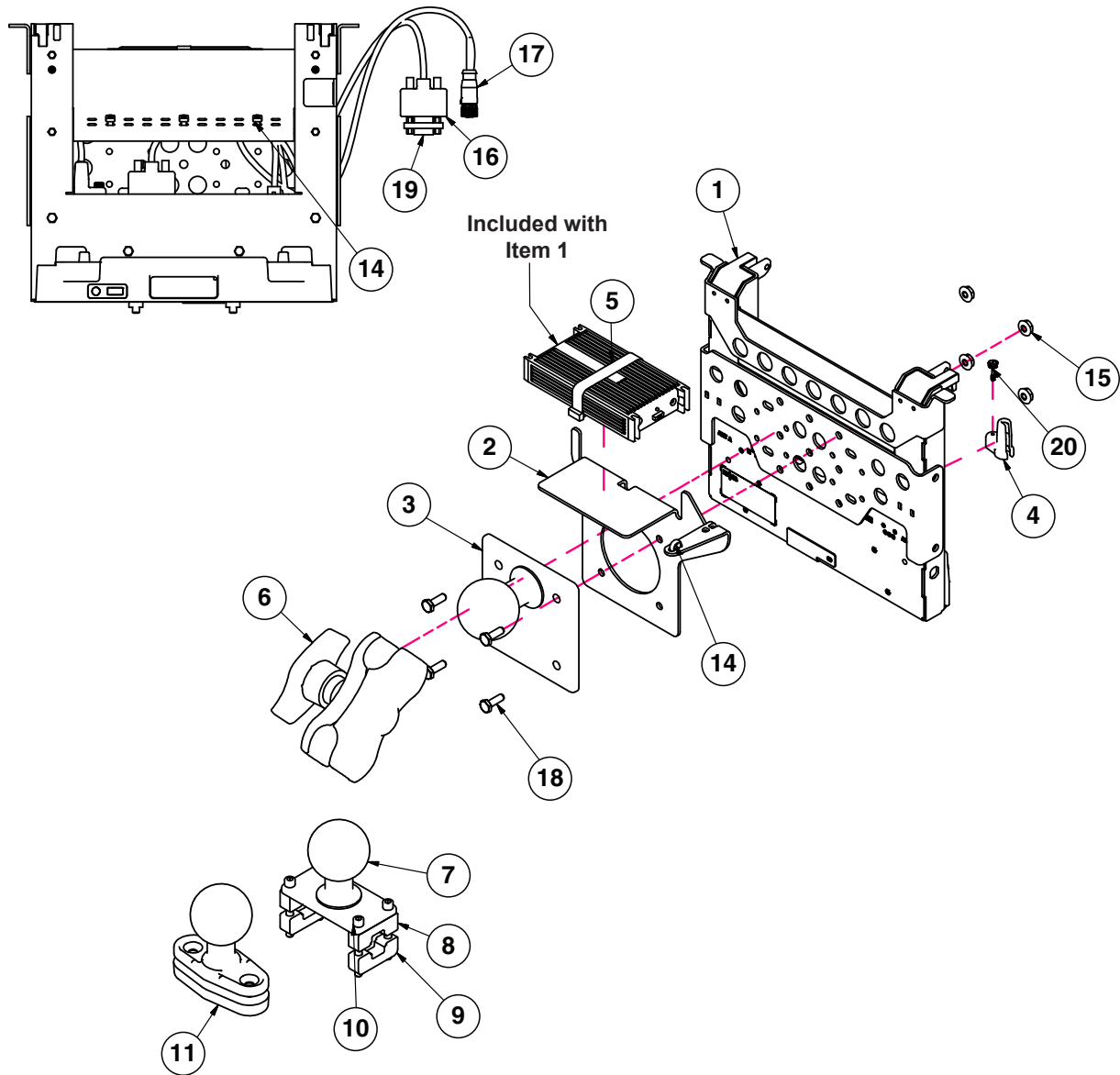
Conventional



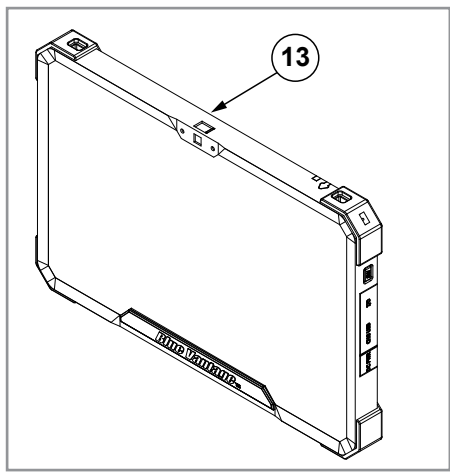
Bulk Fill

| ITEM | PART NO. | QTY. | DESCRIPTION |
|------|----------|------|---|
| 1 | GA18486 | 2 | LED Work Light Assembly |
| | GA22547 | 1 | Worklight Harness Relay (Blue Drive Only) |
| 2 | GA24605 | 1 | Worklight Wire Harness (Ground Contact Drive) |
| | GA26885 | 1 | Worklight Wire Harness (Blue Drive) |
| 3 | GD26989 | 2 | Work Light Bracket |
| 4 | GD27190 | 2 | U-Bolt, 1½" x ⅜"-16 |
| 5 | G11091 | 4 | Serrated Flange Nut, ⅜"-16 |
| 6 | GD35928 | 2 | Bracket, 4¼" x 4" |
| | G11386 | 2 | Flat Washer, 5/16" SAE |
| 7 | G11160 | 1 | T-Bolt Clamp, 3-3/4", Stainless Steel |

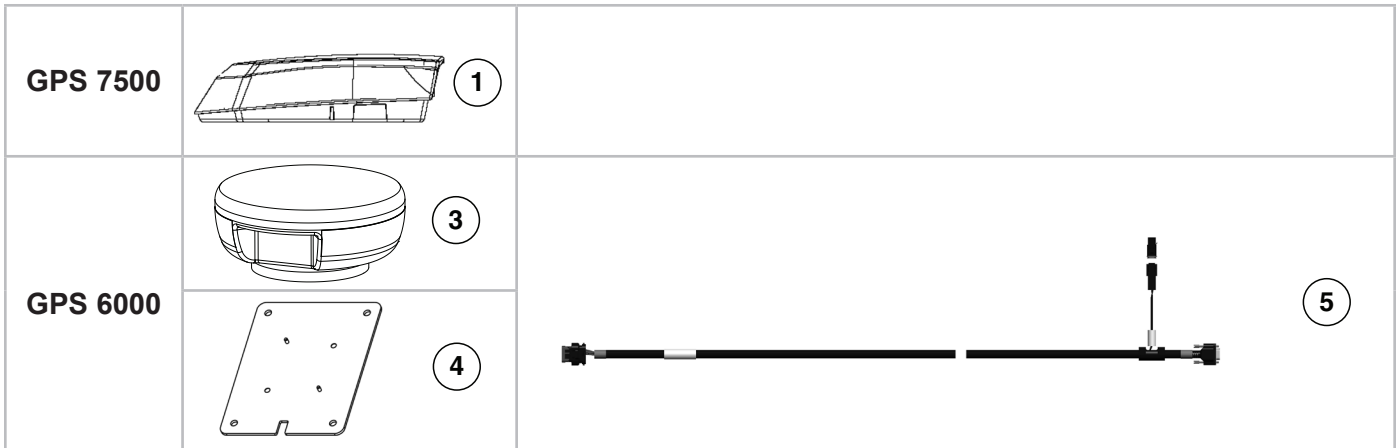
(A25406/A25408)



- 12** **GPS Interface Package Includes:**
- (1) GPS Installation Sheet
 - (1) Meter Serial Ext. Cable
 - (1) 1600 AgLeader GPS Cable
 - (1) Trimble to Starfire Adapter Cable
 - (1) M/M DB9 Serial Connector
 - (1) F/F DB9 Serial Connector
 - (1) Null Modem M/F DB9 Conector
 - (1) GPS Harness

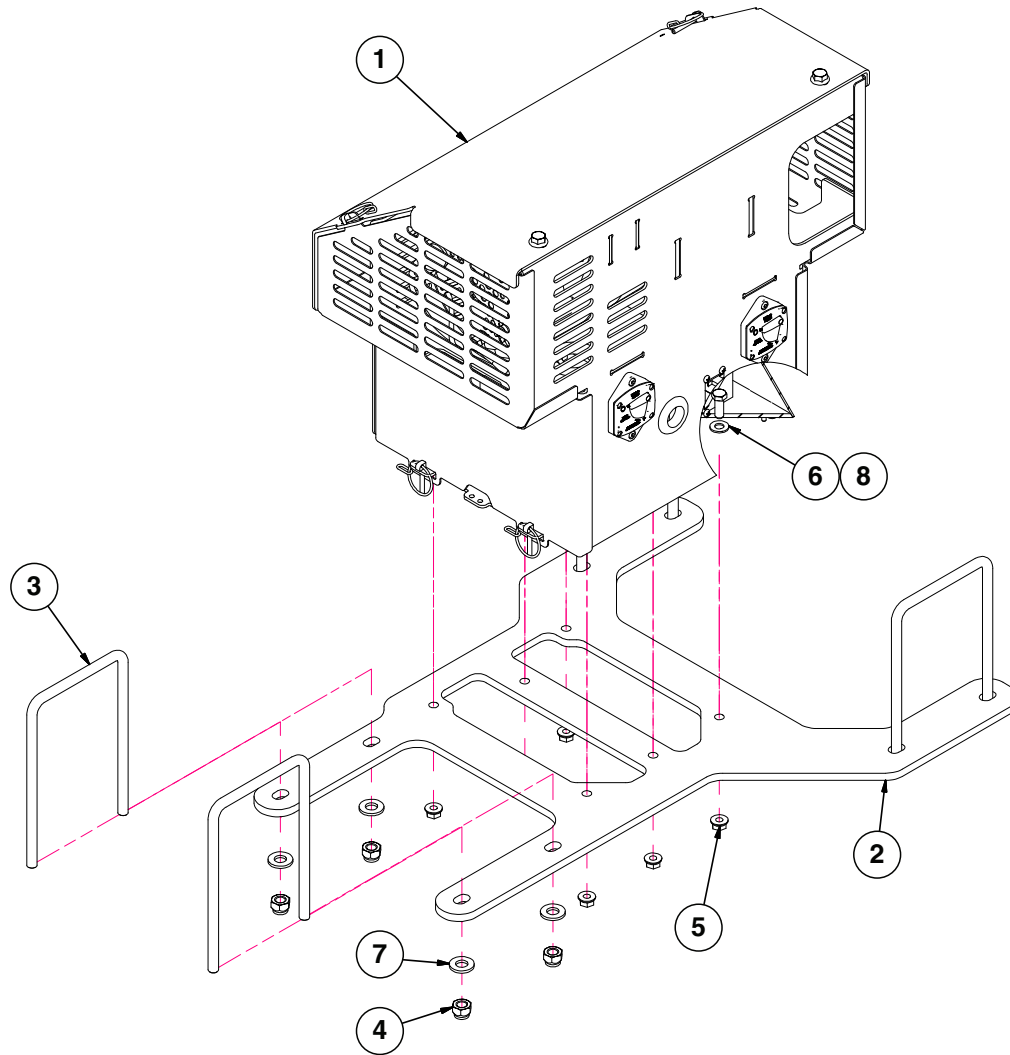


| ITEM | PART NO. | QTY. | DESCRIPTION |
|------|------------|------|---|
| 1 | GA24281 | 1 | Docking Station |
| 2 | GD35216 | 1 | Display Power Supply Mount |
| 3 | GD33756 | 1 | Ram Ball, 2¼" |
| 4 | GD36723 | 1 | Havis Station Cord Retainer |
| 5 | GD10544 | 1 | Cable Tie, 45-1/2" |
| 6 | GA24285 | 1 | Double Socket Ram Arm (Short) |
| 7 | GD33757 | 1 | Ram Ball W/Plate, 2¼" Ball |
| 8 | GD33758 | 2 | Ram Mount Clamp Block, Top |
| 9 | GD33759 | 2 | Ram Mount Clamp Block, Bottom |
| 10 | G11106 | 4 | Hex Socket Head Cap Screw, ¼"-20 x 2¼" |
| 11 | GA24284 | 1 | Ram Ball W/Base, 2½" Ball |
| 12 | GA21143 | 1 | GPS Interface Package |
| 13 | G10243001 | 1 | Blue Vantage Tablet |
| 14 | GD1512 | 4 | Cable Tie, 7-1/2" |
| 15 | G10621 | 4 | Serrated Flange Nut, ¼"-20 |
| 16 | GA25437 | 1 | DB9 Cable F/F |
| 17 | GA25399-36 | 1 | Ethernet Cable (RJ45-Female M12 STR), 36" |
| 18 | G10023 | 4 | Hex Head Cap Screw, ¼"-20 x ¾" |
| 19 | GD35465 | 1 | DB9 M/M Harness Adapter |
| 20 | GD36724 | 1 | Thumb Screw, 4-40 x 0.281 |



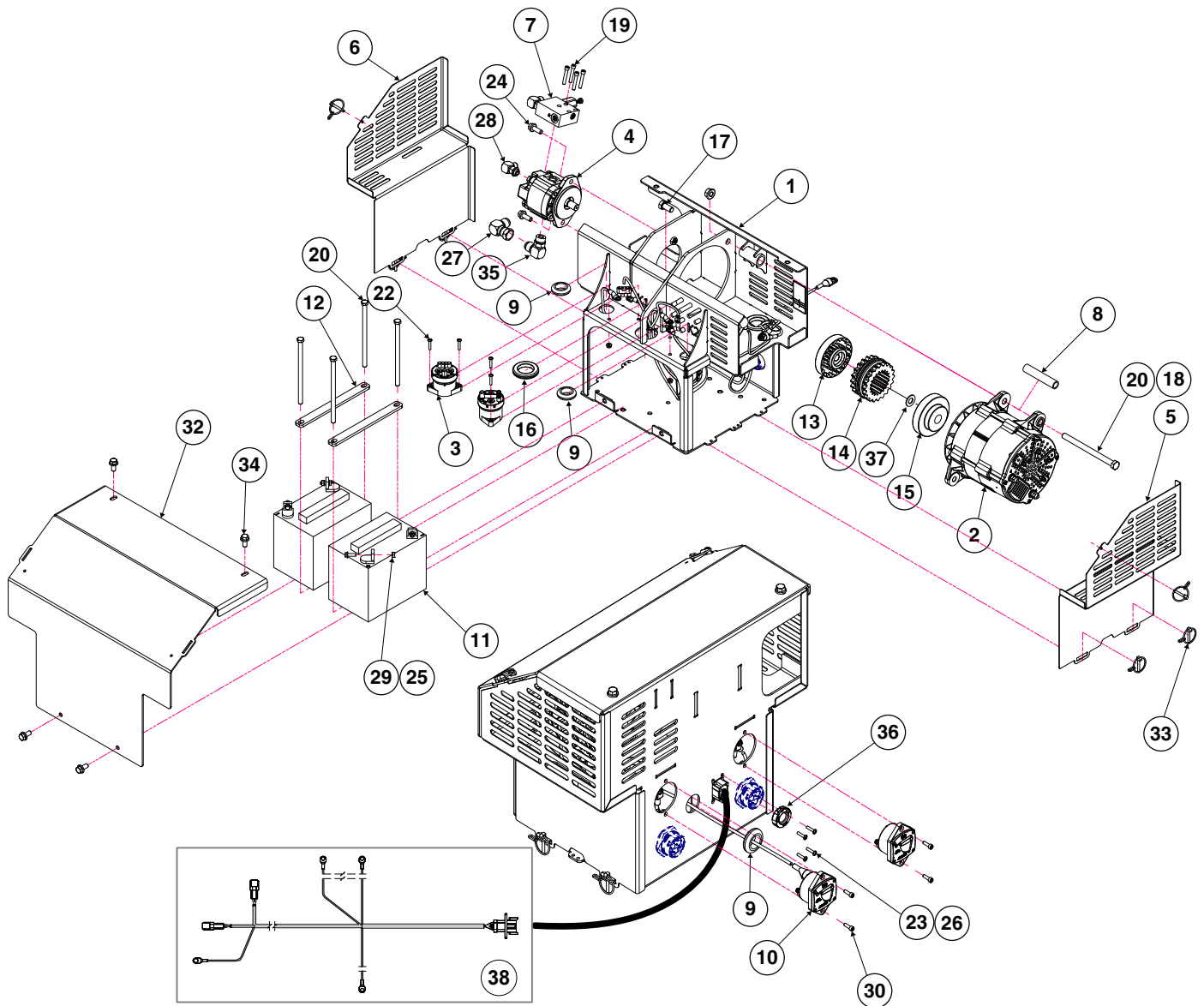
| ITEM | PART NO. | QTY. | DESCRIPTION |
|------|-----------|------|--------------------------------------|
| 1 | G10201101 | 1 | GPS Kit, 7500 |
| 2 | --- | - | --- |
| 3 | GA21151 | 1 | GPS Antenna, 6000 |
| 4 | GA21152 | 1 | GPS Mounting Bracket |
| 5 | GA20903 | 1 | GPS Cable, 6000 |
| A | G9421X | - | GPS 6000 Antenna Package (Items 3-5) |

(102576)



| ITEM | PART NO. | QTY. | DESCRIPTION |
|------|-----------|------|--|
| 1 | G10112902 | 1 | See "Power Pack Assembly" on page P214 |
| 2 | G10257701 | 1 | Power Pack Mounting Bracket |
| 3 | GD8306 | 4 | U-Bolt, 7" x 5" x 1/2"-13 |
| 4 | G10111 | 8 | Lock Nut, 1/2"-13 |
| 5 | G10622 | 6 | Serrated Flange Nut, 3/8"-16 |
| 6 | G10001 | 6 | Hex Head Cap Screw, 3/8"-16 x 1" |
| 7 | G11389 | 8 | Flat Washer, 1/2" Plated SAE |
| 8 | G11387 | 6 | Flat Washer, 3/8" SAE |

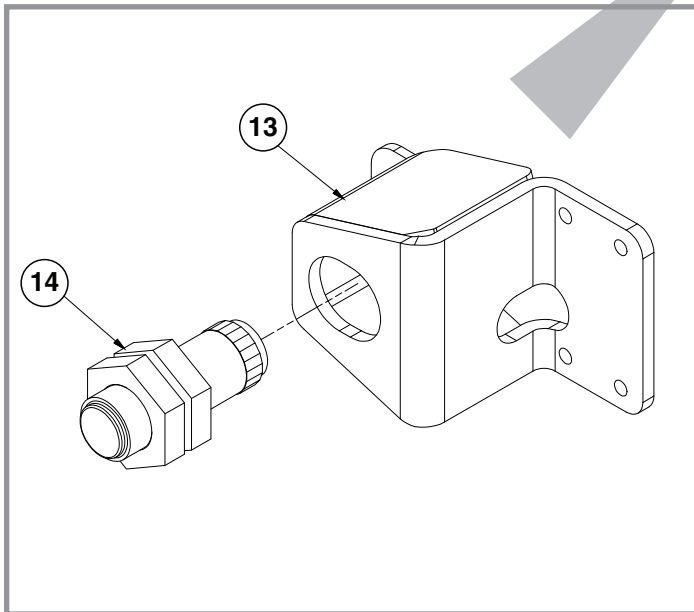
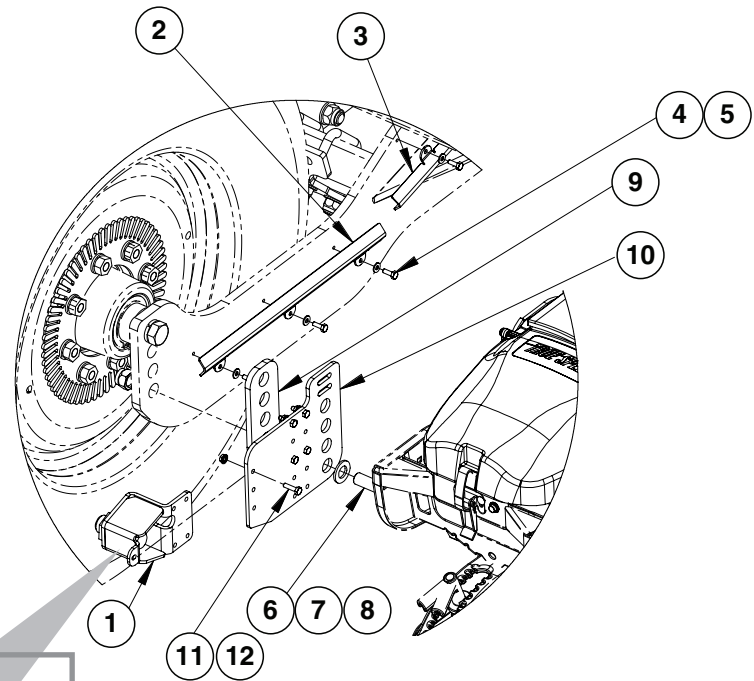
(101129)



| ITEM | PART NO. | QTY. | DESCRIPTION |
|------|-----------|------|--|
| 1 | GA26839 | 1 | Battery Box |
| 2 | GA26673 | 1 | Alternator |
| 3 | G10584701 | 2 | Contactors |
| 4 | G10169501 | 1 | Hydraulic Motor |
| | GD30262 | - | O-Ring |
| 5 | GD36822 | 1 | Battery Box Vent |
| 6 | GD36821 | 1 | Battery Box Vent |
| 7 | --- | - | See "Manifold Hydraulic Block Assembly" on page P171 |
| 8 | G10318901 | 1 | Sleeve, .80 O.D. x .50 I.D. x 3.85 |
| 9 | GD22200 | 3 | Grommet, 1" |
| 10 | GD28354 | 2 | Circuit Breaker, 100 Amp Panel Mount |

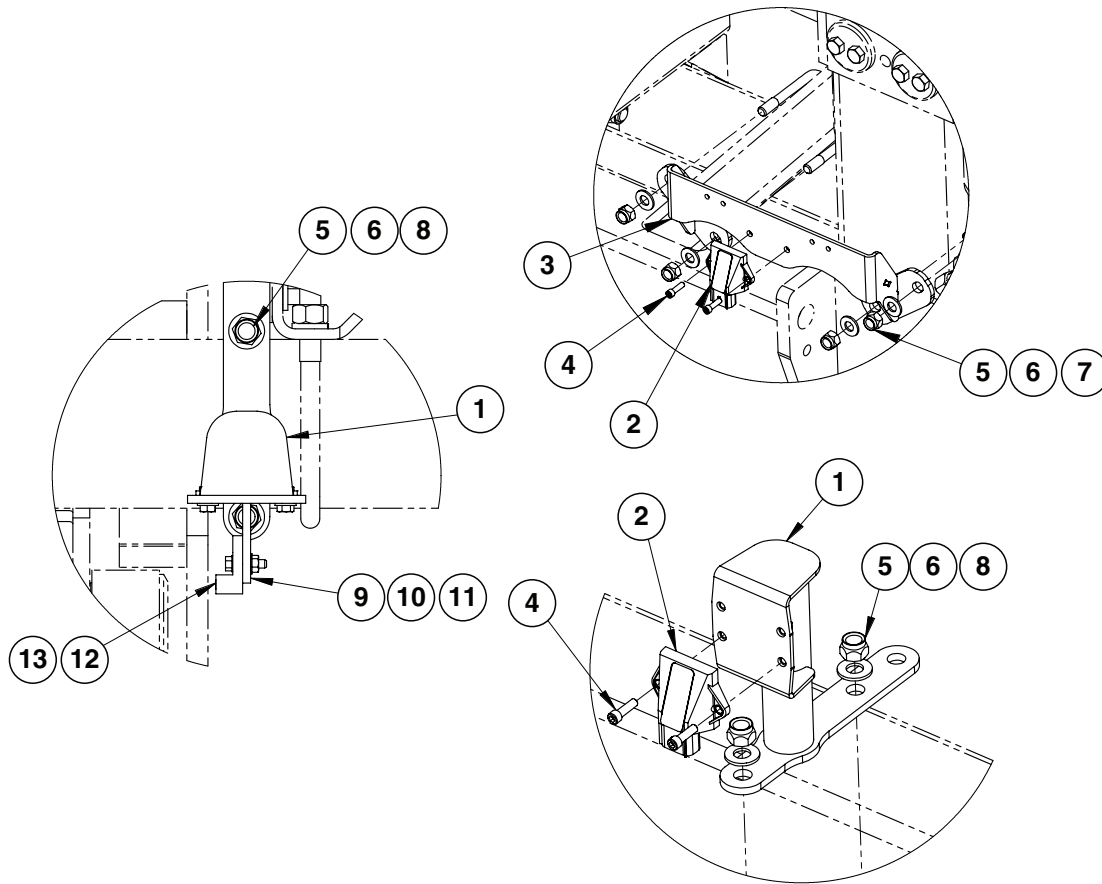
| ITEM | PART NO. | QTY. | DESCRIPTION |
|------|-----------|------|--|
| 11 | G10478801 | 2 | Battery, 12 Volt |
| 12 | G10114001 | 2 | Battery Strap |
| 13 | GD36680 | 1 | Coupler Half, .625" Bore |
| 14 | GD36681 | 1 | Sleeve W/Retaining Ring |
| 15 | GD36682 | 1 | Coupler Half, .875" Bore |
| 16 | GR2126 | 2 | 1½" Push-In Grommet |
| 17 | G10014 | 1 | Hex Head Cap Screw, ½"-13 x 1" |
| 18 | G10071 | 1 | Serrated Flange Nut, 1/2"-13 |
| 19 | G11418 | 4 | Hex Socket Head Cap Screw, ¼" x 1½" |
| 20 | G10829 | 1 | Hex Head Cap Screw, ½"-13 x 6 ½" |
| 21 | G10954 | 4 | Hex Head Cap Screw, 3/8"-16 x 7" |
| 22 | G10992 | 8 | Serrated Flange Nut, No. 10-24 |
| 23 | G11067 | 4 | Phillips Pan Head Machine Screw, No. 8-32 x 3/4", Stainless Steel |
| 24 | G11124 | 2 | Hex Serrated Flange Cap Screw, 3/8"-16 x 1" |
| 25 | G11166 | 4 | Hex Socket Flange Cap Screw, ¼"-20 x ¾" |
| 26 | G11202 | 4 | Lock Nut W/Nylon Insert, No. 8-32, Stainless Steel |
| 27 | G6500-10 | 1 | Swivel Elbow, 90°, 7/8"-14 Male JIC To Female |
| 28 | G6801-06 | 1 | Elbow, 90°, 9/16"-18 x 7/16"-20 W/O-Ring |
| 29 | G11528 | 4 | Hex Nut W/External Tooth Washer, ¼"-20 |
| 30 | G11588 | 4 | Hex Socket Head Cap Screw, No. 10-24 x 5/8" Grade 8 |
| 31 | --- | - | --- |
| 32 | GD36820 | 1 | Battery Box Cover |
| 33 | G11339 | 6 | Pin W/Chain |
| 34 | G11123 | 4 | Hex Serrated Flange Cap Screw, 3/8"-16 x 3/4" |
| 35 | G6801-10 | 1 | Elbow W/O-Ring, 90°, 7/8"-14 Male JIC To O-Ring |
| 36 | GD25007 | 1 | Deutsch Cap, Size 24 (Only used with non-Split Row configurations) |
| 37 | G11391 | 1 | Flat Washer, 5/8" SAE |
| 38 | G10600701 | 1 | Compact Power Pack Sense Harness |
| A | G10112902 | - | Power Pack (Includes Items 1-38) |

(106149/100206)



| ITEM | PART NO. | QTY. | DESCRIPTION |
|------|-----------|------|--------------------------------------|
| 1 | G10020601 | 1 | Sensor Bracket Assembly |
| 2 | G10034401 | 1 | Cable Guard Bracket |
| 3 | G10034501 | 1 | Cable Guard Bracket |
| 4 | G10023 | 5 | Hex Head Cap Screw, 1/4"-20 x 3/4" |
| 5 | G11385 | 5 | Flat Washer, 1/4" SAE |
| 6 | G10027 | 1 | Hex Head Cap Screw, 3/4"-10 x 2 1/2" |
| 7 | G11392 | 1 | Flat Washer, 3/4" SAE |
| 8 | G10112 | 1 | Lock Nut, 3/4"-10 |
| 9 | G10709101 | 1 | Spacer |
| 10 | G10069801 | 1 | Jump Start Sensor Bracket |
| 11 | G10064 | 5 | Hex Head Cap Screw, 1/4"-20 x 1" |
| 12 | G10621 | 7 | Serrated Flange Nut, 1/4"-20 |
| 13 | G10020501 | 1 | Jump Start Bracket |
| 14 | GA13204 | 1 | Sensor, Hall Effect |

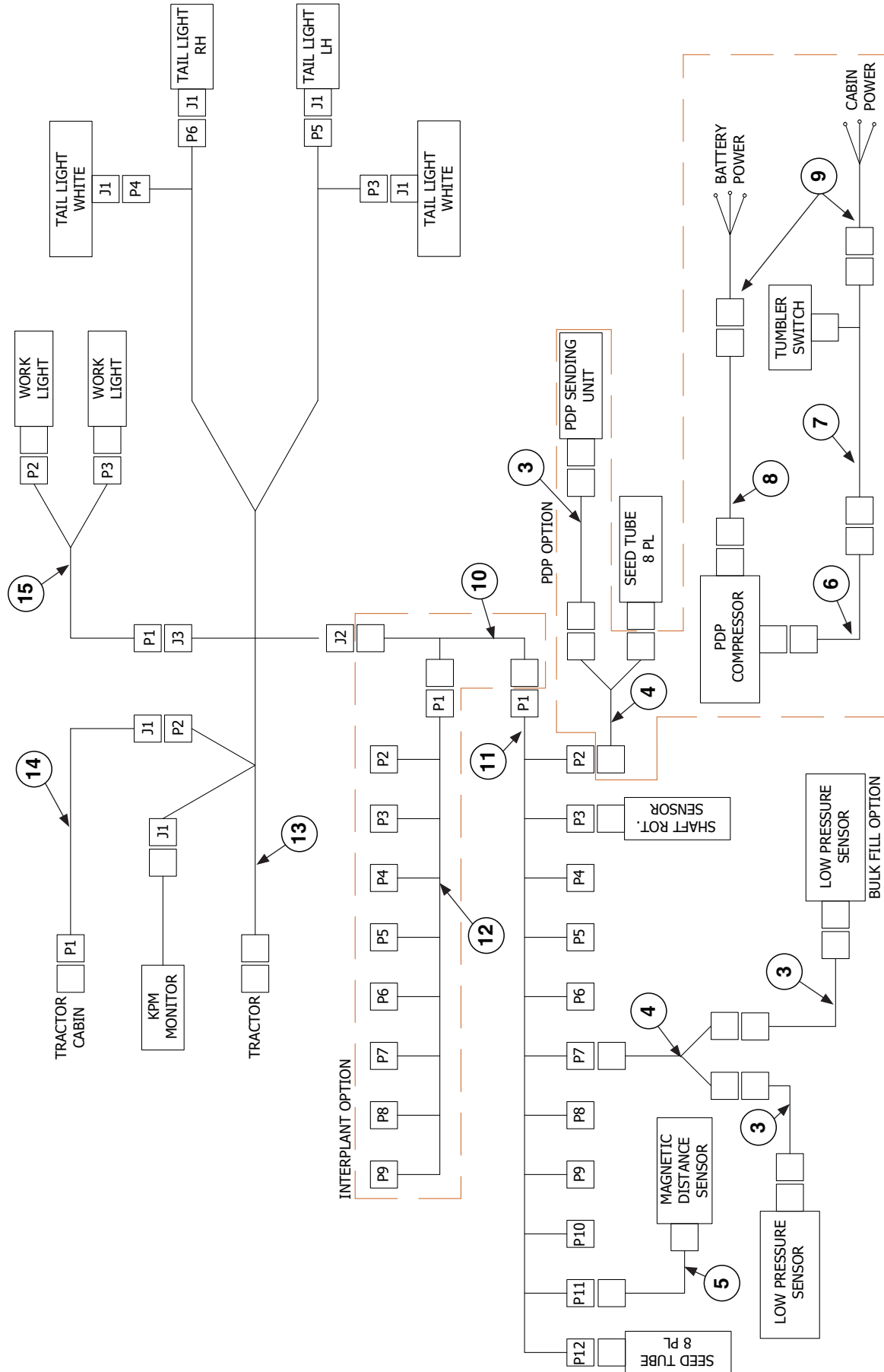
(106149)



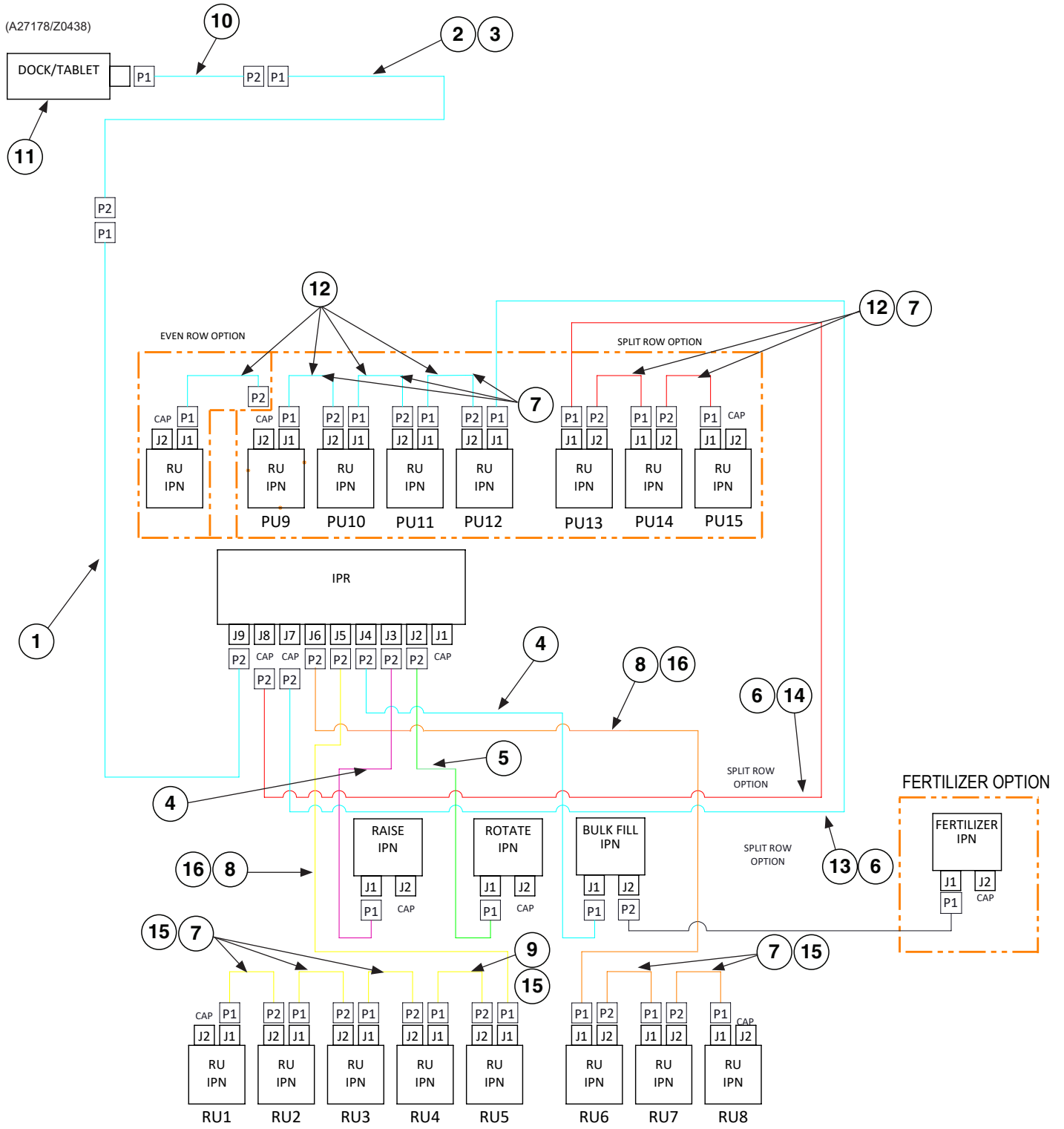
| ITEM | PART NO. | QTY.* | DESCRIPTION |
|------|-----------|-------|--|
| 1 | G10938301 | 3 | IPP Module Mount |
| 2 | GA21687 | 2 | IPP Module Assembly |
| 3 | GA27185 | 1 | Module Center Mount |
| 4 | G10252 | 6 | Hex Socket Head Cap Screw, 1/4"-20 x 7/8", Grade 8 |
| 5 | G10111 | 10 | Lock Nut, 1/2"-13 |
| 6 | G11389 | 10 | Flat Washer, 1/2" Plated SAE |
| 7 | GD4743 | 2 | U-Bolt, 3" x 3" x 1/2"-13 |
| 8 | GD8306 | 3 | U-Bolt, 7" x 5" x 1/2"-13 |
| 9 | G10898401 | 1 | Switch Bracket |
| 10 | G10023 | 2 | Hex Head Cap Screw, 1/4"-20 x 3/4" |
| 11 | G11385 | 2 | Flat Washer, 1/4" SAE |
| 12 | GA18353 | 1 | Magnetic Reed Position Switch |
| 13 | G10621 | 2 | Serrated Flange Nut, 1/4"-20 |
| 14 | G11409 | 2 | Hex Serrated Flanged Cap Screw, 1/4"-20 x 1" |

*Quantities indicated for entire planter.

(Z0398)

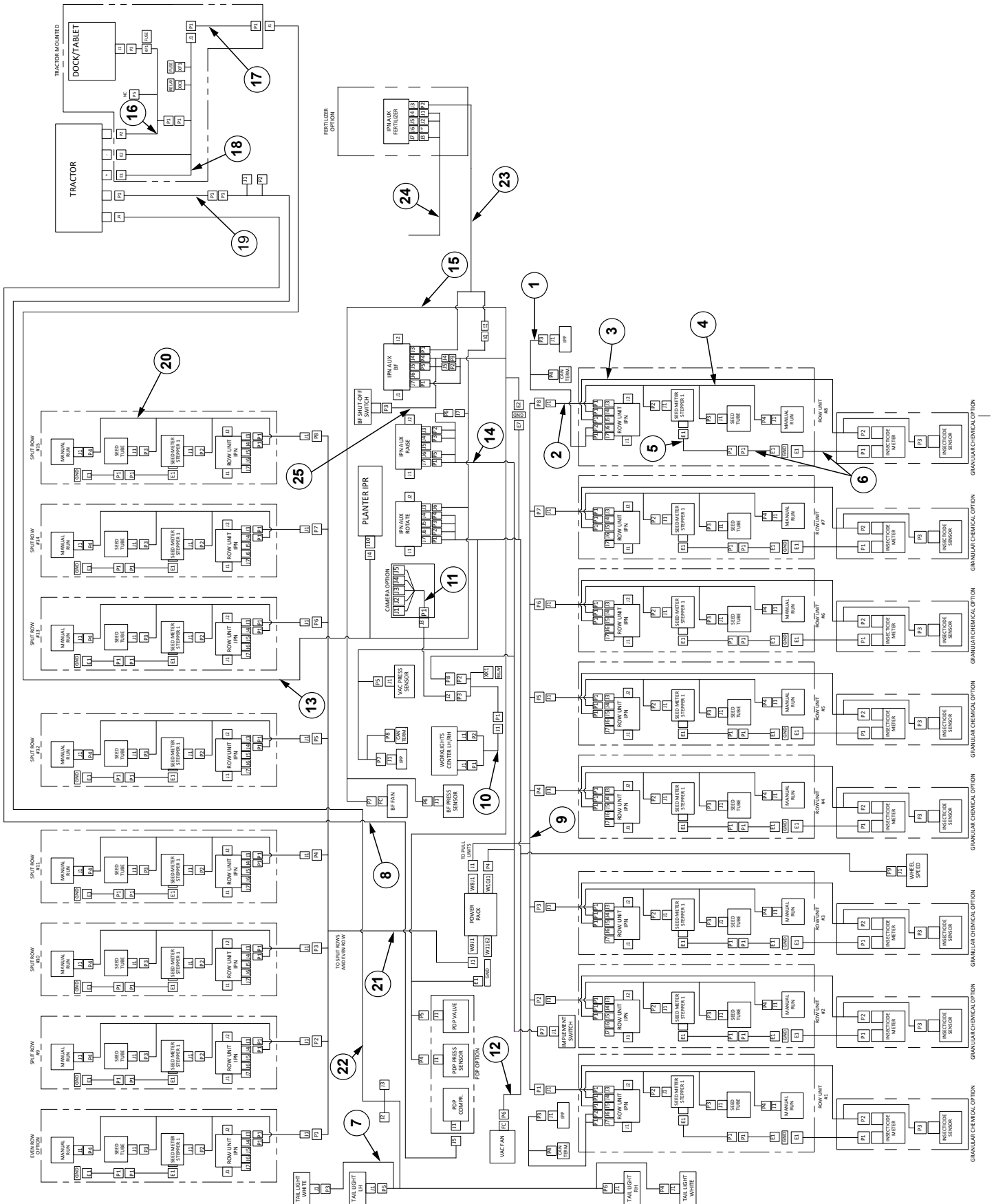


| ITEM | PART NO. | QTY. | DESCRIPTION |
|------|-----------|------|--|
| 1 | --- | - | --- |
| 2 | --- | - | --- |
| 3 | GA12812 | 3 | Hall Effect Adapter |
| 4 | --- | - | --- |
| 5 | GA7859 | 1 | Magnetic Distance Sensor Adapter (Analog To Digital) |
| 6 | GA12858 | 1 | Wiring Harness, 60' |
| 7 | GA13944 | 1 | Wiring Harness W/Fuse Holder And Fuse, 206" |
| 8 | GA16391 | 1 | Compressor Harness, 40' |
| 9 | GA17547 | 2 | Power Adapter Cable |
| 10 | GA7853 | 1 | Y-Connector Harness |
| 11 | GA7850 | 1 | Planter Harness W/Dust Caps, 8 Row (12 Connectors) |
| 12 | GA8022 | 1 | Planter Harness W/Dust Caps, (9 Connectors) |
| 13 | G10316201 | 1 | Light Harness Assembly |
| 14 | GA25785 | 1 | Worklight Switch Harness Assembly |
| 15 | GA24605 | 1 | Worklight Harness |



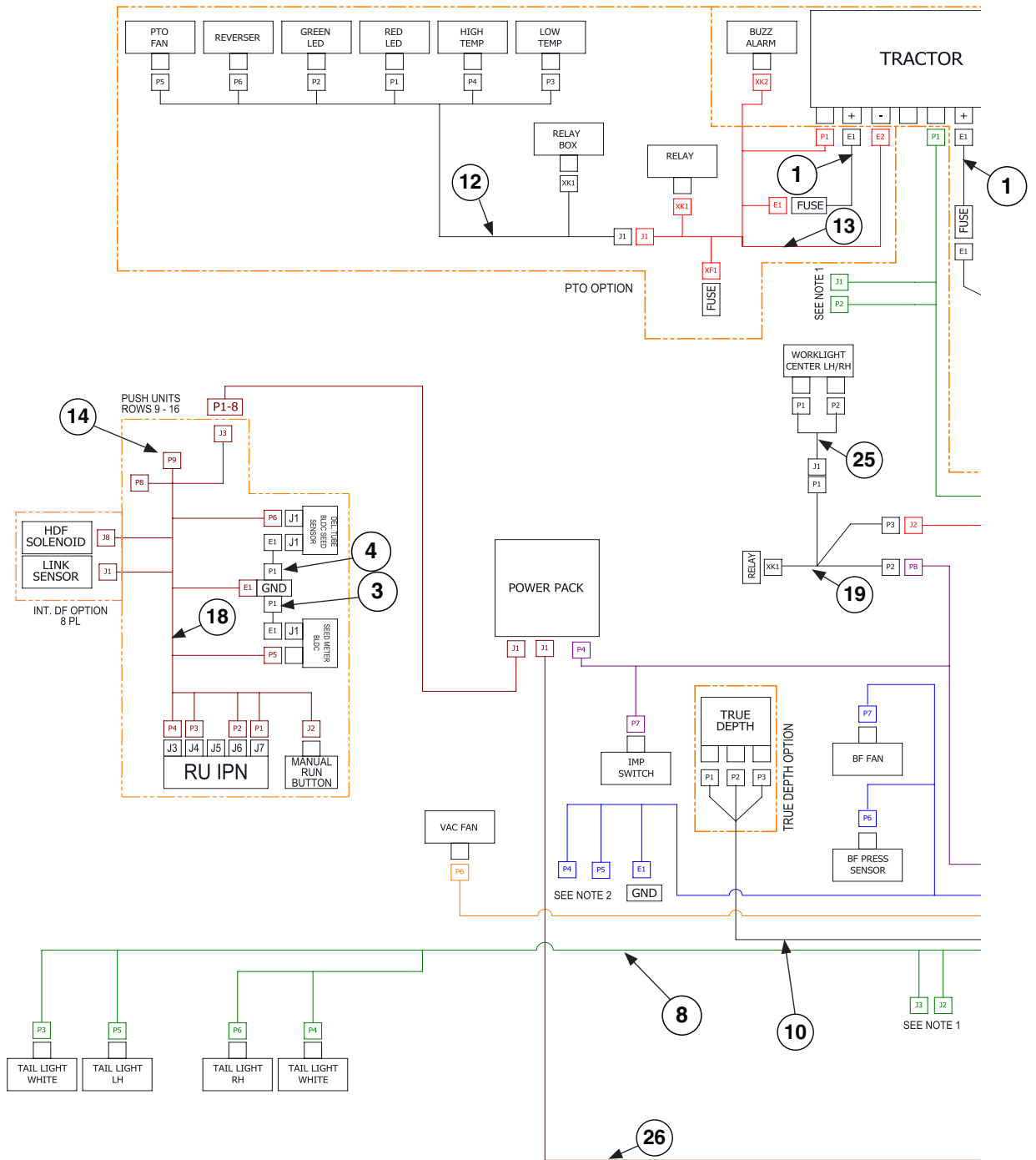
| ITEM | PART NO. | QTY. | DESCRIPTION |
|------|-------------|------|--|
| 1 | GA22554-325 | - | Ethernet Cable (M12 STR-M12 STR), 325" |
| 2 | GA22554-265 | - | Ethernet Cable (M12 STR-M12 STR), 265" |
| 3 | GA22554-375 | - | Ethernet Cable (M12 STR-M12 STR), 375" |
| 4 | GA22555-20 | - | Ethernet Cable (M12 RA-M12 STR), 20" |
| 5 | GA24488-27 | - | Ethernet Cable (M12 RA-M12 STR), 27" |
| 6 | GA22555-90 | - | Ethernet Cable (M12 RA SPEC), 90" (Used W/ True Speed) |
| 7 | GA22556-91 | - | Ethernet Cable (M12 RA-M12 RA), 91" (Used W/ True Rate for RU, Used W/ True Speed for PU) |
| 8 | GA22555-94 | - | Ethernet Cable (M12 RA-M12 STR), 94" (Used W/ True Rate) |
| 9 | GA22556-100 | - | Ethernet Cable (M12 RA-M12 RA), 100" (Used W/ True Rate) |
| 10 | GA25399-36 | - | Ethernet Cable (RJ45-Female M12 STR), 36" |
| 11 | GA25406 | - | Blue Vantage Dock/Tablet |
| 12 | GA24487-100 | - | Ethernet Cable (M12 RA-M12 RA), 100" (Used W/ True Rate) |
| 13 | GA24488-96 | - | Ethernet Cable (M12 RA-M12 STR), 96" (Used W/ True Rate) |
| 14 | GA24488-64 | - | Ethernet Cable (M12 RA-M12 STR), 64" (Used W/ True Rate) |
| 15 | GA22556-134 | - | Ethernet Cable, 134" (Used W/ True Speed) |
| 16 | GA22555-115 | - | Ethernet Cable (M12 RA SPEC), 115" (Used W/ True Speed) |

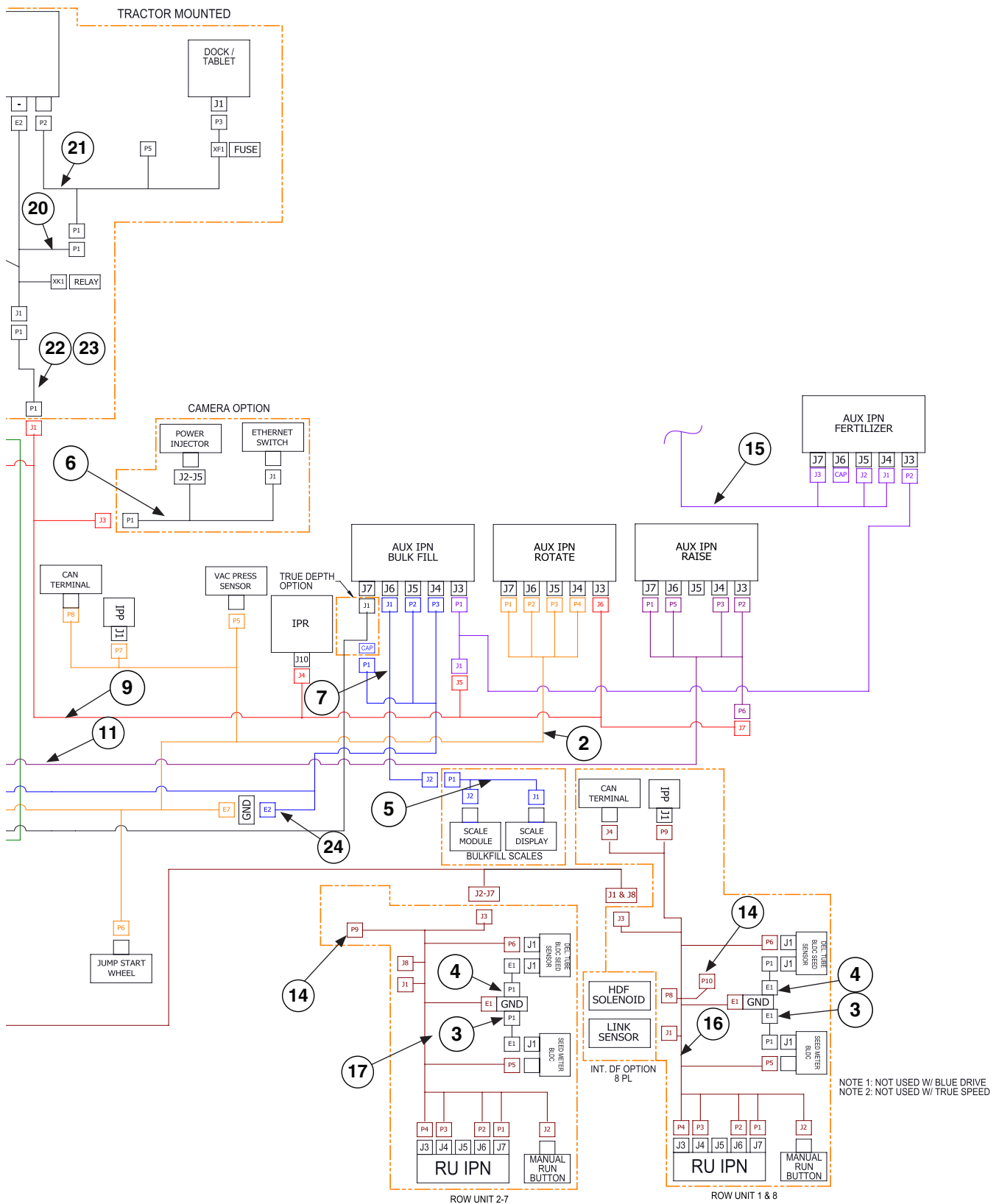
(Z0436)



| ITEM | PART NO. | QTY. | DESCRIPTION |
|------|-----------|------|---|
| 1 | G10864901 | - | Row Unit Seed Meter Harness |
| 2 | GA25029 | - | Row Unit Power Extension Harness |
| 3 | GA22522 | - | Insecticide Harness |
| 4 | G10864801 | - | Push Unit Seed Meter Harness |
| 5 | GA20711 | - | Seed Meter Motor ESD Drain Harness |
| 6 | GA20712 | - | Row Unit ESD Drain Harness |
| 7 | GA22547 | - | Worklight Relay Harness |
| 8 | GA16391 | - | Compressor Harness, 40' |
| 9 | GA26886 | - | Row Unit Power Harness |
| 10 | GA26885 | - | Worklight Harness |
| 11 | G10269201 | - | Camera Power Harness |
| 12 | G10074801 | - | Rotation Harness |
| 13 | G10331601 | - | Power Harness |
| 14 | G10478901 | - | Raise Harness |
| 15 | GA26884 | - | Bulk Fill PDP Harness |
| 16 | GA25031 | - | Tractor Console Harness |
| 17 | GA25032 | - | Tractor Power Harness Extension, 10' (Included) |
| | GA25033 | - | Tractor Power Harness Extension, 16' (Optional) |
| 18 | GA25030 | - | Tractor Power Harness |
| 19 | GA25170 | - | EU Tail Light Extension Harness |
| | GA25207 | - | US Tail Light Extension Harness |
| 20 | G10884801 | - | Row Unit Seed Meter Harness |
| 21 | G10074701 | - | Row Unit Split Row Power Harness |
| 22 | G10316201 | - | Tail Lights Harness |
| 23 | G10698001 | - | Fertilizer IPN Power Harness |
| 24 | G10851201 | - | Fertilizer Module Harness |
| 25 | G10963101 | - | Bulk Fill Shutoff Intercept Harness |

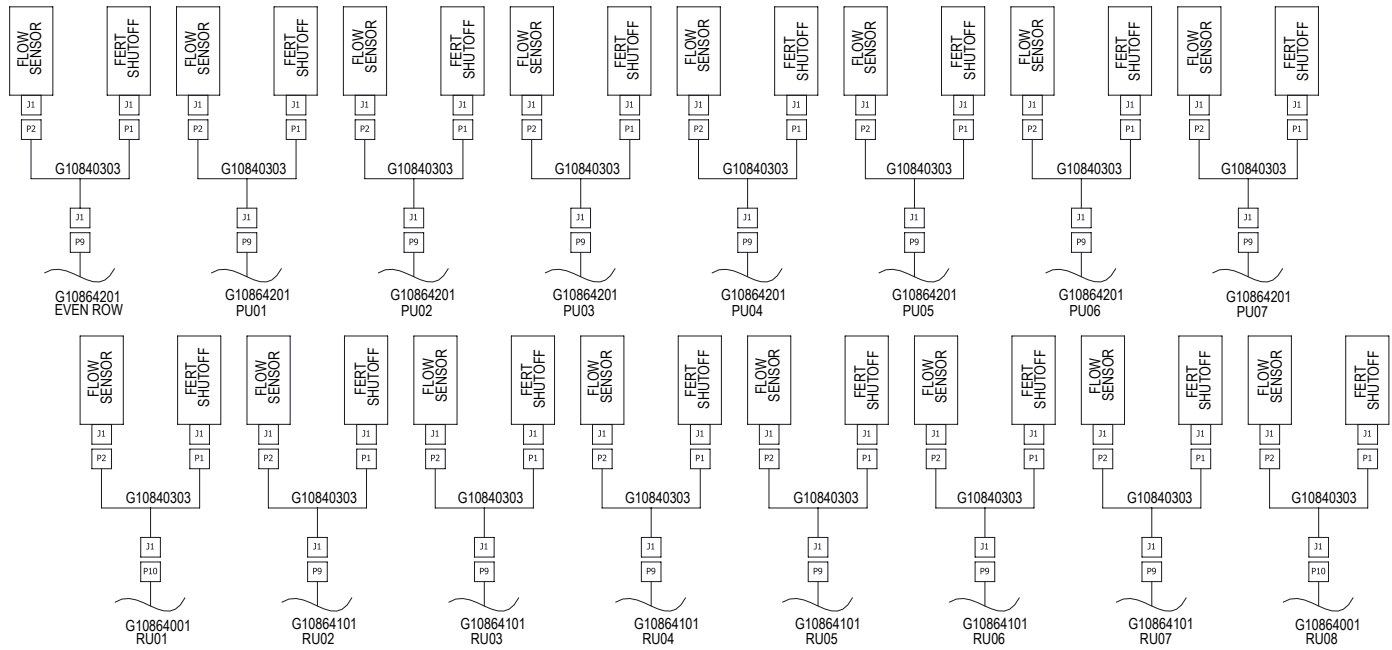
(107408)



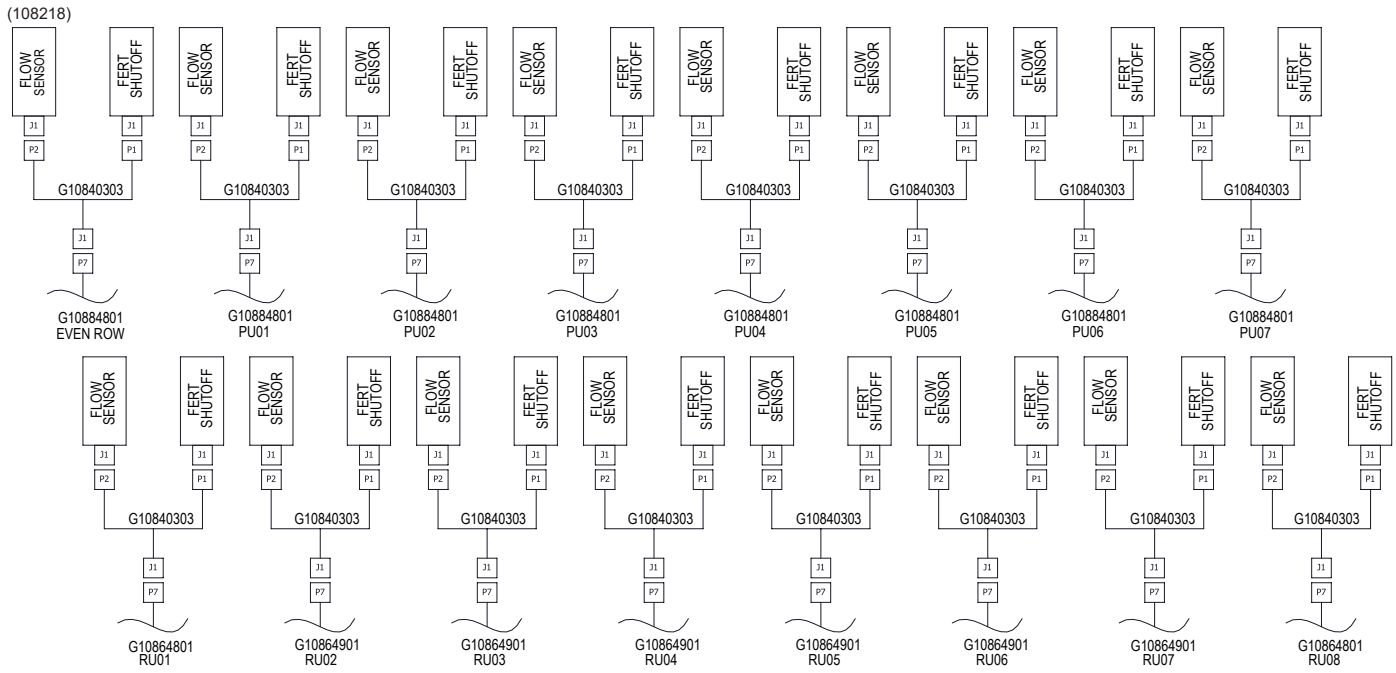


| ITEM | PART NO. | QTY. | DESCRIPTION |
|------|-----------|------|--|
| 1 | G10049501 | - | Tractor Battery Connection Harness and Fuse Kit |
| 2 | G10074801 | - | Rotation Harness |
| 3 | G10213601 | - | ESD Ground Strap Harness, True Speed |
| 4 | G10213602 | - | ESD Ground Strap Harness, True Speed |
| 5 | G10242801 | - | Bulk Fill Scale CAN PHD28 Cable |
| 6 | G10269201 | - | Camera Power Harness |
| 7 | G10286102 | - | CAN Stub Harness |
| 8 | G10316201 | - | Tail Lights Harness |
| 9 | G10331601 | - | Aux IPN 12V Power Harness |
| 10 | G10337001 | - | Integrated True Depth Harness |
| 11 | G10478901 | - | Raise IPN Harness |
| 12 | G10649801 | - | PTO Harness |
| 13 | G10724901 | - | PTO Tractor Power Harness |
| 14 | G10821801 | - | See "BV Liquid Fertilizer Interconnect" on page P225 |
| 15 | G10851201 | - | Fertilizer Module Harness |
| 16 | G10864001 | - | True Speed Row Unit Harness W/ IPP |
| 17 | G10864101 | - | True Speed Pull Unit Harness |
| 18 | G10864201 | - | True Speed Push Unit Harness |
| 19 | GA22547 | - | Worklight Relay Harness |
| 20 | GA25030 | - | Tractor Power Harness |
| 21 | GA25031 | - | Tractor Console Harness |
| 22 | GA25032 | - | Tractor Power Harness Extension, 10' (Included) |
| 23 | GA25033 | - | Tractor Power Harness Extension, 16' (Optional) |
| 24 | GA26884 | - | Bulk Fill PDP Harness |
| 25 | GA26885 | - | Worklight Wire Harness |
| 26 | GA26886 | - | Row Unit Power Harness |

(108218)



| ITEM | PART NO. | QTY. | DESCRIPTION |
|------|-----------|------|--|
| - | G10840303 | - | Fertilizer Row Unit Extension Harness, 66" |
| - | G10864201 | - | True Speed Push Unit Harness |
| - | G10864001 | - | True Speed Row Unit Harness W/ IPP |
| - | G10864101 | - | True Speed Pull Unit Harness |



| ITEM | PART NO. | QTY. | DESCRIPTION |
|------|-----------|------|--|
| - | G10840303 | - | Fertilizer Row Unit Extension Harness, 66" |
| - | G10884801 | - | Row Unit Seed Meter Harness |
| - | G10864801 | - | Row Unit Seed Meter Harness W/ IPP |
| - | G10864901 | - | Row Unit Seed Meter Harness |

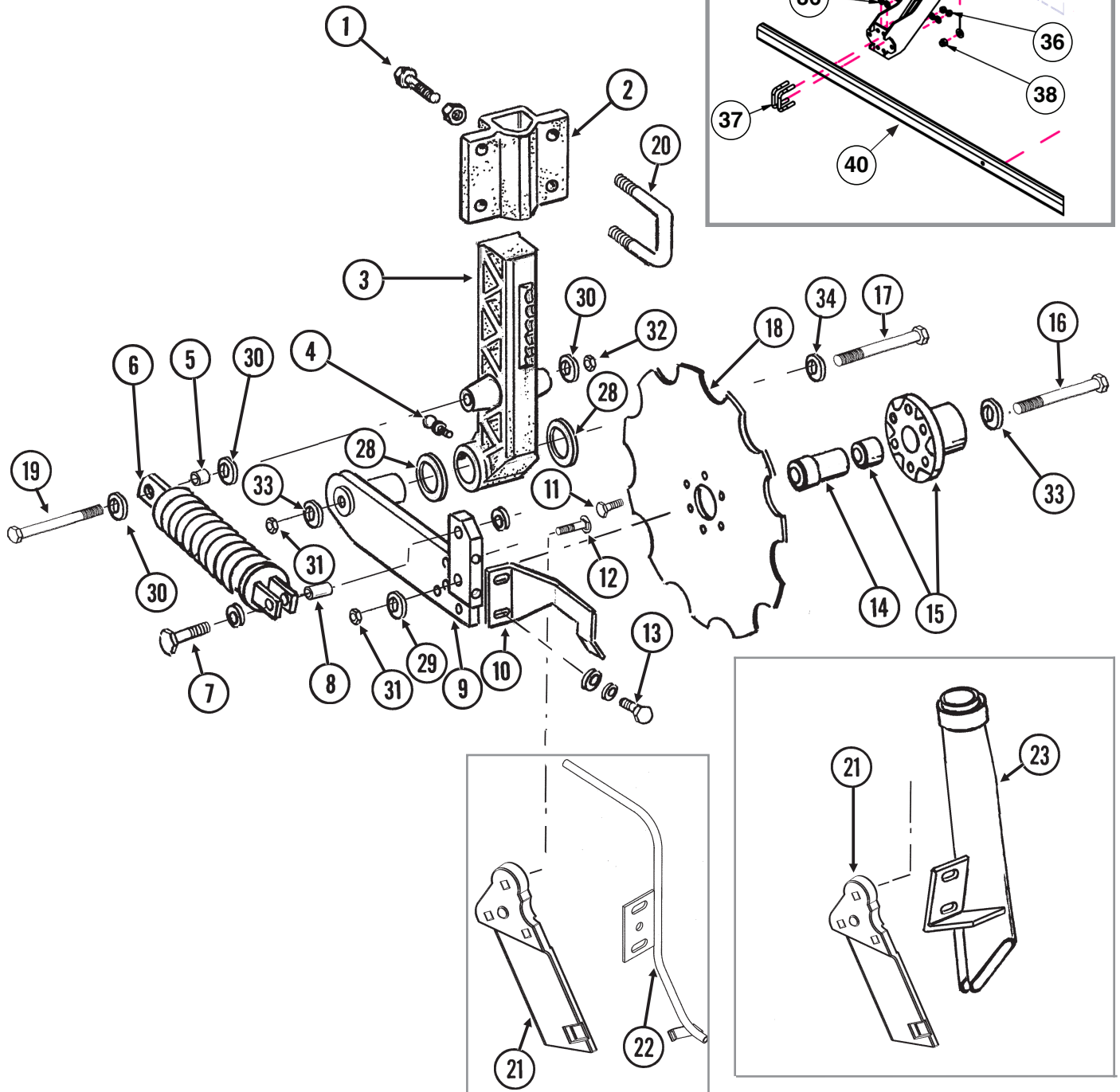
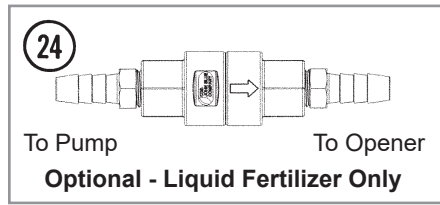
Notched Single Disc Fertilizer Opener

M0311-02

Model 3505

FOC018(TWL34e/TWL34f/TWL34g/FRTZ268b/FRTZ208)

NOTE: R.H. and L.H. is determined by which side of blade it is on in the direction of travel.



Notched Single Disc Fertilizer Opener

Model 3505

M0311-02

| ITEM | PART NO. | QTY. (Per Assy.) | DESCRIPTION |
|------|----------|---------------------|---|
| 1 | G10017 | 3 | Hex Head Cap Screw, 1/2"-13 x 1 1/2" |
| | G10102 | 3 | Hex Nut, 1/2"-13 |
| 2 | GB0405 | 1 | Mount, L.H. |
| | GB0400 | - | Mount, R.H. (Shown) |
| 3 | GB0296 | 1 | Arm, 13 1/2" |
| 4 | G10640 | 1 | Grease Fitting, 1/4"-28 |
| 5 | GD12685 | 1 | Bushing, 3/4" O.D. x 1/2" Long |
| 6 | GA6966 | 1 | Compression Spring Assembly |
| 7 | G10047 | 1 | Hex Head Cap Screw, 3/8"-16 x 1 3/4" |
| | G11387 | 2 | Flat Washer, 3/8" SAE |
| | G10108 | 1 | Lock Nut, 3/8"-16 |
| 8 | GD1026 | 1 | Sleeve, 1 3/16" Long |
| 9 | GA9433 | 1 | Pivot Arm, L.H. (Shown) |
| | GA9434 | - | Pivot Arm, R.H. |
| 10 | GD11557 | 1 | Scraper, L.H. (Shown) |
| | GD11558 | - | Scraper, R.H. |
| 11 | G10002 | 6 | Hex Head Cap Screw, 3/8"-16 x 3/4" |
| 12 | G10306 | 3 | Carriage Bolt, 3/8"-16 x 2" |
| | G10108 | 3 | Lock Nut, 3/8"-16 |
| 13 | G10991 | 2 | Hex Head Cap Screw, 5/16"-18 x 7/8" |
| | G10232 | 2 | Lock Washer, 5/16" |
| | G11386 | 6 | Flat Washer, 5/16" SAE |
| 14 | GD12679 | 1 | Stepped Spacer, 3" Long |
| 15 | GA9437 | 1 | Hub W/Bearing |
| | GA8603 | - | Bearing, Double Row (Included W/GA9437) |
| 16 | G10011 | 1 | Hex Head Cap Screw, 5/8"-11 x 5 1/2" |
| 17 | G10046 | 1 | Hex Head Cap Screw, 5/8"-11 x 5" |
| 18 | GD12676 | 1 | Disc Blade, Notched, 16 3/4" |
| 19 | G10871 | 1 | Hex Head Cap Screw, 1/2"-13 x 6" |
| 20 | GD13287 | 2 | U-Bolt, 1 1/2" x 2 1/2" x 1/2"-13 |
| | G11389 | 4 | Flat Washer, 1/2" Plated SAE |
| | G10111 | 4 | Lock Nut, 1/2"-13 |
| 21 | GB0323 | 1 | Knife, L.H. (Shown) |
| | GB0322 | - | Knife, R.H. |
| 22 | GA12108 | 1 | Drop Tube, Liquid Fertilizer (Shown) |
| | GA12109 | - | Drop Tube, Liquid Fertilizer |
| 23 | GA10047 | 1 | Drop Tube, L.H., Dry Fertilizer |
| | GA10048 | - | Drop Tube, R.H., Dry Fertilizer (Shown) |
| 27 | GA9820 | 1 | Opener Mount (Included W/GA9820) |
| | GD1113 | 2 | U-Bolt, 5" x 7" x 5/8"-11 (Included W/GA9820) |
| | G10230 | 4 | Lock Washer, 5/8" (Included W/GA9820) |
| | G10104 | 4 | Hex Nut, 5/8"-11 (Included W/GA9820) |
| 28 | G10450 | - | Machine Bushing, 1 1/2", 18 Gauge (As Required) |
| 29 | GD12677 | 1 | Washer, 1 1/2" O.D., 7 Gauge, Hardened |
| 30 | G11389 | - | Flat Washer, 1/2" Plated SAE |
| 31 | G10107 | - | Lock Nut, 5/8"-11 |
| 32 | G10111 | - | Lock Nut, 1/2"-13 |
| 33 | G11391 | - | Flat Washer, 5/8" SAE |
| 34 | G10217 | - | Washer, 5/8" USS |
| 35 | GA25749 | 6 | Mount |

Continued on the next page.

Notched Single Disc Fertilizer Opener

M0311-02

Model 3505

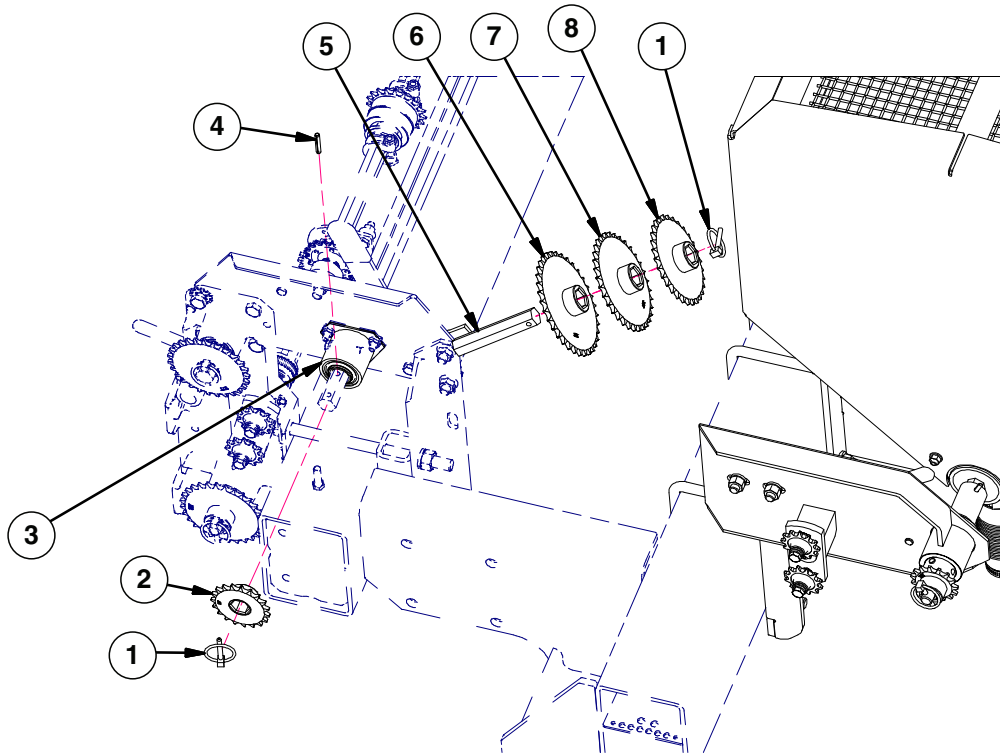
| ITEM | PART NO. | QTY. (Per Assy.) | DESCRIPTION |
|------|----------|---------------------|-----------------------------------|
| 36 | G11389 | 24 | Flat Washer, 1/2" Plated SAE |
| | G10111 | 26 | Lock Nut, 1/2"-13 |
| 37 | GD13287 | 12 | U-Bolt, 1-1/2" x 2-1/2" x 1/2"-13 |
| 38 | G10107 | 12 | Lock Nut, 5/8"-11 |
| | G11391 | 12 | Flat Washer, 5/8" SAE |
| 39 | GD1113 | 6 | U-Bolt, 5" x 7" x 5/8"-11 |
| 40 | GD35732 | 2 | Tube |

Dry Fertilizer Transmission Sprockets

Model 3505

M0311-02

(A25750)



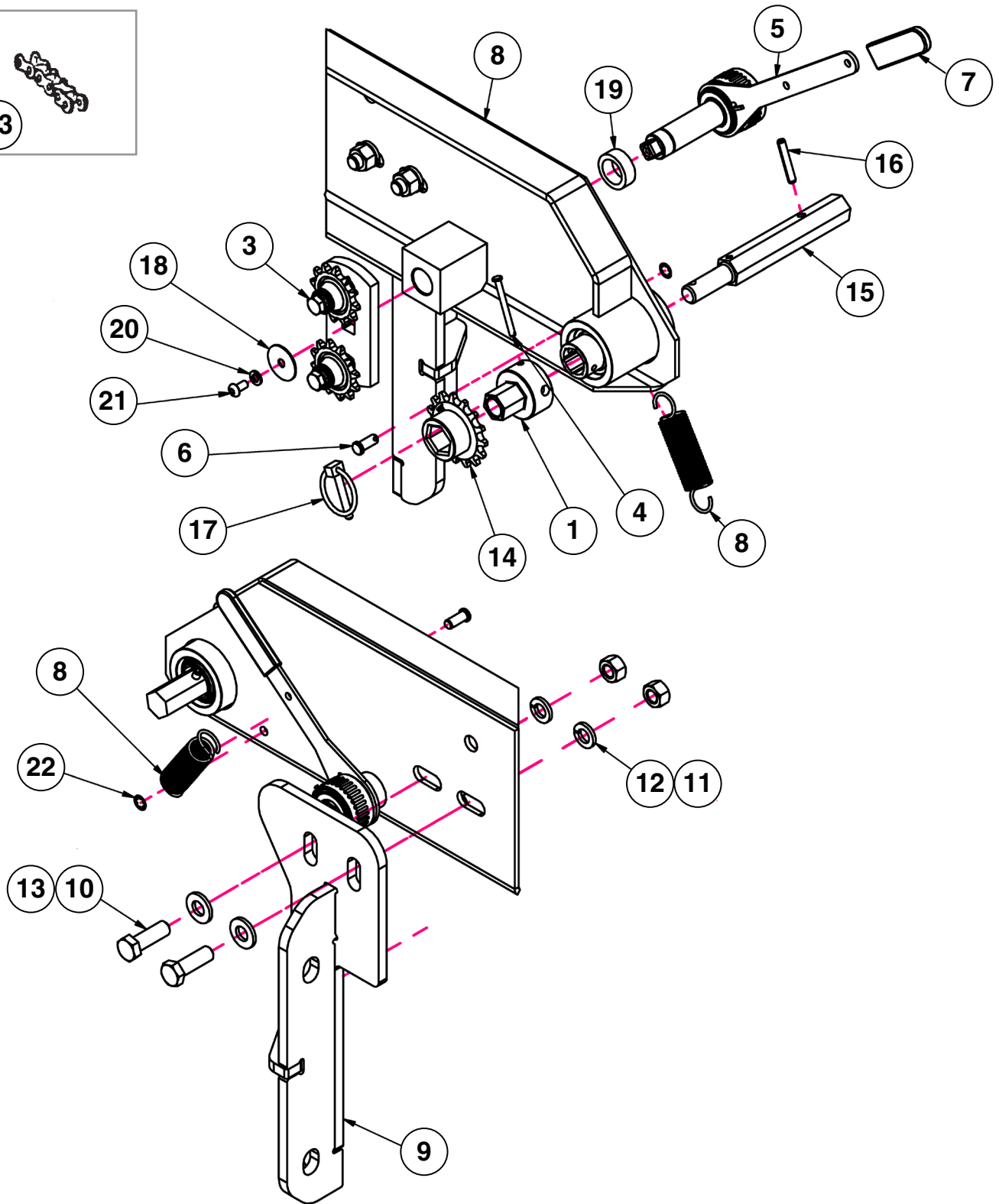
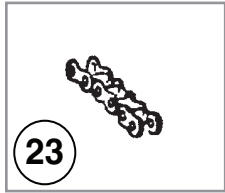
| ITEM | PART NO. | QTY. | DESCRIPTION |
|------|----------|------|---------------------------|
| 1 | GD2558 | 2 | Lynch Pin, 1/4" |
| 2 | GA5107 | 1 | Sprocket, 19 Tooth |
| 3 | GA5223 | 1 | Spacer W/Bearing |
| 4 | G10602 | 1 | Spring Pin, 1/4" x 1 1/2" |
| 5 | GA5229 | 1 | Sprocket Storage Rod |
| 6 | GA6337 | 1 | Sprocket, 35 Tooth |
| 7 | GA5115 | 1 | Sprocket, 33 Tooth |
| 8 | GA5114 | 1 | Sprocket, 30 Tooth |

Dry Fertilizer Transmission Assembly

M0311-02

Model 3505

(A26139)



Dry Fertilizer Transmission Assembly

Model 3505

M0311-02

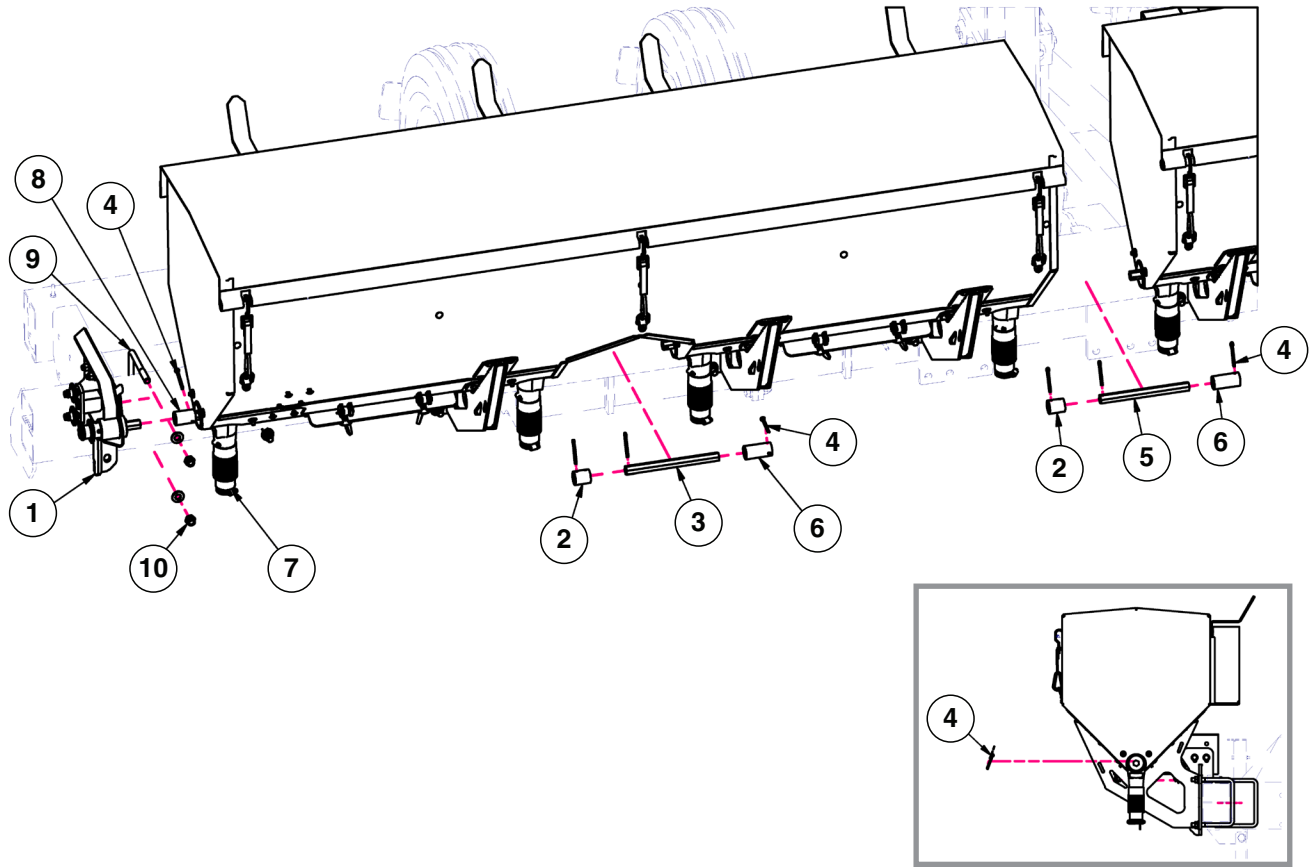
| ITEM | PART NO. | QTY. | DESCRIPTION |
|------|-----------|------|---|
| 1 | GD7127 | 1 | Shear Coupler |
| 2 | GA10030 | 1 | Spring |
| 3 | GA7336 | 1 | Idler |
| 4 | G10821 | 1 | Clevis Pin, 3/16" x 2" |
| 5 | GD5857 | 1 | Spring |
| 6 | G10408 | 1 | Clevis Pin, 5/16" x 3/4" |
| 7 | G11078 | 1 | Vinyl Cap |
| 8 | GA6579 | 1 | Transmission Assembly |
| 9 | GA25892 | 1 | Transmission Mount |
| 10 | G11389 | 2 | Flat Washer, 1/2" Plated SAE |
| 11 | G10102 | 2 | Hex Nut, 1/2"-13 |
| 12 | G10228 | 2 | Lock Washer, 1/2" |
| 13 | G10017 | 2 | Hex Head Cap Screw, 1/2"-13 x 1 1/2" |
| 14 | GA5105 | 1 | Sprocket, 15 Tooth |
| 15 | GD7870 | 1 | Shaft, 7" |
| 16 | G10602 | 1 | Spring Pin, 1/4" x 1 1/2" |
| 17 | GD2558 | 1 | Lynch Pin, 1/4" |
| 18 | G11453 | 1 | Fender Washer, 1/4" |
| 19 | GD2734-18 | 1 | Sleeve, 1 1/4" O.D. x 7/16" Long |
| 20 | G10227 | 1 | Lock Washer, 1/4" |
| 21 | G11100 | 1 | Hex Socket Button Head Cap Screw, 1/4"-20 x 1/2", Grade 8 |
| 22 | G10409 | 1 | Retaining Ring, 5/16" |
| 23 | G3310-172 | 1 | Chain, No. 40, 172 Pitch Including Connector Link And Offset Link |

Dry Fertilizer Couplers/Shfts

M0311-02

Model 3505

(A25750)



| ITEM | PART NO. | QTY. | DESCRIPTION |
|------|--------------|------|---|
| 1 | --- | - | See "Dry Fertilizer Transmission Assembly" on page P233 |
| | G3310-172 | 1 | Chain No. 40, 172 Pitch |
| 2 | GD5886 | 3 | Coupler, 1 3/4" |
| 3 | GD2548-10.75 | 2 | Hex Shaft, 7/8" x 10 3/4" (1 Hole) |
| 4 | G10460 | 11 | Cotter Pin, 1/4" x 2" |
| 5 | GD2548-10.25 | 1 | Hex Shaft, 7/8" x 10 1/4" (1 Hole) |
| 6 | GD7867 | 3 | Coupler, 3" |
| 7 | GA21239 | 8 | Hose with clamps |
| 8 | GD5961 | 1 | Coupler, 2-1/4" |
| 9 | GD1113 | 1 | U-Bolt, 5" x 7" x 5/8"-11 |
| 10 | G11391 | 2 | Flat Washer, 5/8" SAE |
| | G10107 | 2 | Lock Nut, 5/8"-11 |

Dry Fertilizer Hopper and Mounts

M0311-02

Model 3505

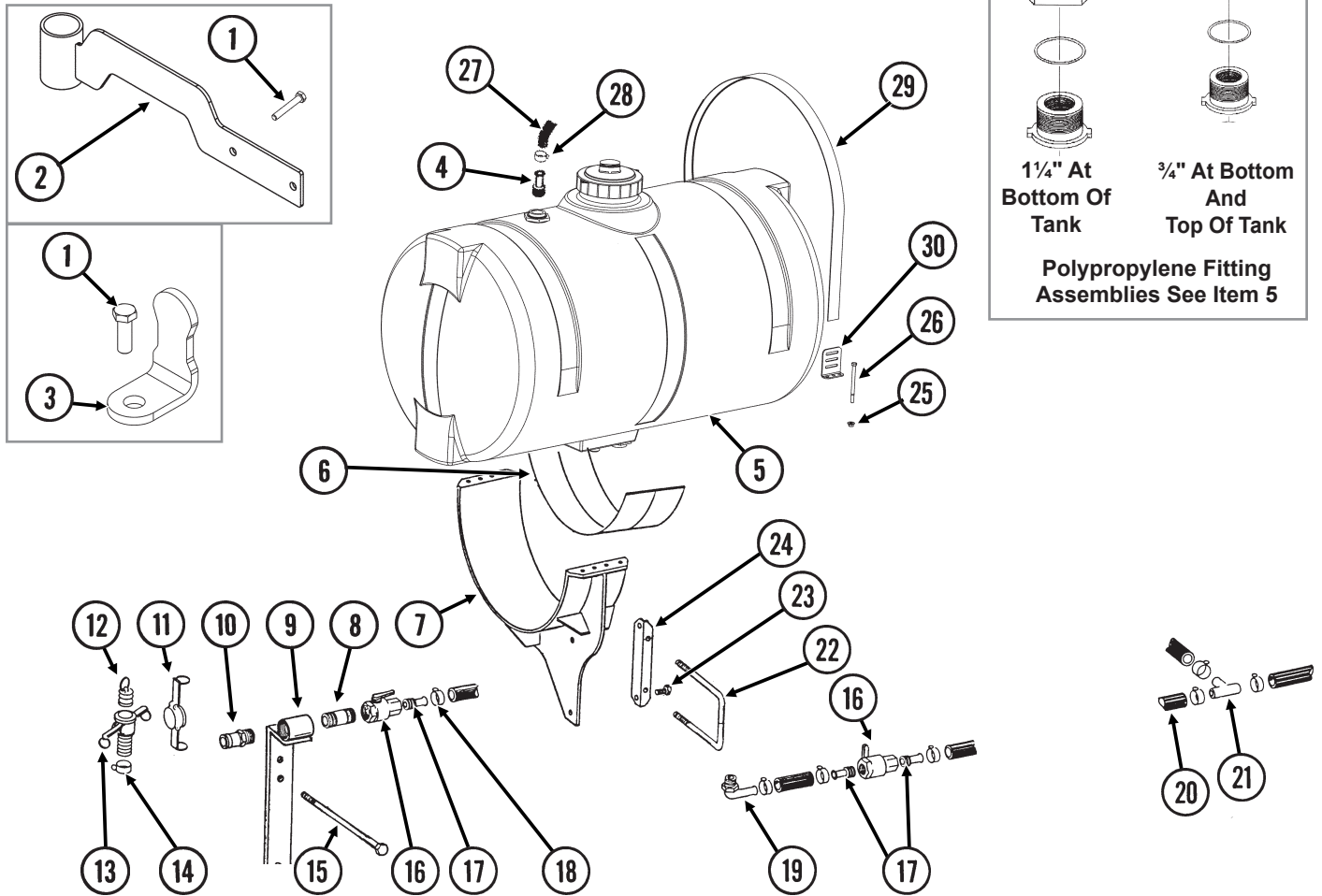
| ITEM | PART NO. | QTY. | DESCRIPTION |
|------|----------|------|--|
| 1 | G12215 | 4 | Bolt, M12 x 60 |
| | G12217 | 4 | Washer, M12 |
| | G12218 | 4 | Lock Nut, M12 |
| 2 | G12215 | 4 | Bolt, M12 x 60 |
| | G12217 | 4 | Washer, M12 |
| | G12216 | 4 | Wing Lock Nut, M12 |
| 3 | GA25908 | 2 | Fertilizer door |
| 4 | GA25753 | 4 | Mount |
| | GD1862 | - | Tank Pad, 8" x 14' Roll |
| 5 | GB0199 | 1 | Auger, L.H. |
| 6 | GB0200 | 2 | Bearing |
| | G10233 | 2 | Machine Bushing, 1 1/2" x 1/32", 10 Gauge (.1345") |
| 7 | G10103 | 2 | Hex Nut, 1/4"-20 |
| | G10638 | 2 | Hex Head Cap Screw, 1/4"-20 x 2" |
| 8 | GB0198 | 1 | Auger, R.H. |
| 9 | GD1207 | 2 | Baffle |
| 10 | G10670 | 2 | Hair Pin Clip, No. 3 |
| 11 | GD1200 | 4 | Outlet Housing |
| 12 | G11942 | 2 | Bolt, 5/16"-18 x 1" |
| 13 | G10379 | 2 | Washer, 5/16" |
| | G11950 | 2 | Hex Nut, 5/16"-18 |
| | G11942 | 2 | Bolt, 5/16"-18 x 1" |
| 14 | GA25757 | 5 | Stiffener |
| 15 | GA25909 | 4 | Screen |
| 16 | GA27037 | 1 | Hopper |
| 17 | GD35717 | 4 | Clamp Catchers |
| 18 | GA27124 | 1 | Clean-out Chute with Hooks |
| | GD35937 | 1 | Clean-out Chute Bracket |
| | G10379 | 10 | Flat Washer, 5/16" |
| | G11950 | 10 | Hex Nut, 5/16"-18 |
| | G11942 | 10 | Bolt, 5/16"-18 x 1" |
| 19 | GD35684 | 3 | Tie Down Ring .79" x 2.17" |
| | GD35667 | 3 | Carabiner |
| | G11473 | 6 | Hex Head Cap Screw, 1/4"-20 X 1/2" |
| | G10588 | 6 | Hex Nut, 1/4"-20, Stainless Steel |
| 20 | GA25902 | 1 | Handle |
| | GA25758 | 1 | Tarp |
| | G11924 | 4 | Hex Head Non Serrated Flange Self-Drilling Screw, No. #6-20 x 3/8" |
| | G10243 | 4 | Flat Washer, No. 10 SAE |
| 21 | G10640 | 2 | Lube Fitting, Straight, Short, 1/4"-28 |
| 22 | G11942 | 12 | Bolt, 5/16"-18 x 1" |
| 23 | G10379 | 12 | Washer, 5/16" |
| | G11950 | 12 | Hex Nut, 5/16"-18 |
| 24 | G10451 | 8 | Cotter Pin, 1/8" x 1" |
| | G11966 | 8 | Clevis Pin, 7/16" x 1-1/2" |
| 25 | G10460 | 2 | Cotter Pin, 1/4" x 2" |
| 26 | GD36260 | 1 | Hex Fertilizer Auger Shaft, .875" x 43.75 |

Liquid Fertilizer Tanks, Saddles, Mounts, Hoses, and Fittings

Model 3505

M0311-02

LFC012rev(FRTZ201e/PT51/TWL62C)



| ITEM | PART NO. | QTY. | DESCRIPTION |
|------|----------|------|--|
| 1 | G10004 | - | Hex Head Cap Screw, 3/8"-16 x 1 1/4" |
| | G11091 | - | Serrated Flange Nut, 3/8"-16 |
| 2 | GA14112 | 2 | Hose Guide |
| 3 | GD20060 | 2 | Hose Bracket |
| 4 | G10626 | - | Adapter, 1 1/4" NPT To Barb |
| 5 | GA14049 | 2 | Tank W/Sealed Lid and Fittings, 150 Gallon |
| | GA16428 | 1 | Lid, 7" W/Vacuum Breaker (Included W/GA14049) |
| | GA16157 | 1 | Vacuum Breaker (Included W/GA16428) |
| | GR1708 | - | 3/4" Bulkhead Overflow Fitting Assembly (Overflow Fitting, Nut, Bushing, And O-Ring) (Top And Bottom Of Tank) (Included W/GA14049) |
| | GR0508 | - | 1 1/4" Polypropylene Fitting Assembly (Nut, Bushing, and O-Ring) (Bottom Of Tank) (Included W/GA14049) |
| | GR1941 | 1 | Lid Seal (Included W/GA14049) |
| 6 | GD1862 | 1 | Pad, 8" x 14" (For Two 30" Tanks) |
| 7 | GA7375 | - | Tank Mount (2 Per Tank) |
| 8 | G10619 | - | Close Nipple, 1 1/4" NPT |
| 9 | GA5917 | 1 | Quick Fill Mount |
| 10 | GD1514 | 1 | Adapter, 1 1/4" Male NPT To Cam Lock |
| 11 | GD1515 | 1 | Dust Cap, 1 1/4" Cam Lock |
| 12 | GD1517 | 1 | Dust Plug, 1 1/4" Male Cam Lock |
| 13 | GD1516 | 1 | Adapter, 1 1/4" Barb To Female Cam Lock |

Liquid Fertilizer Tanks, Saddles, Mounts, Hoses, and Fittings

M0311-02

Model 3505

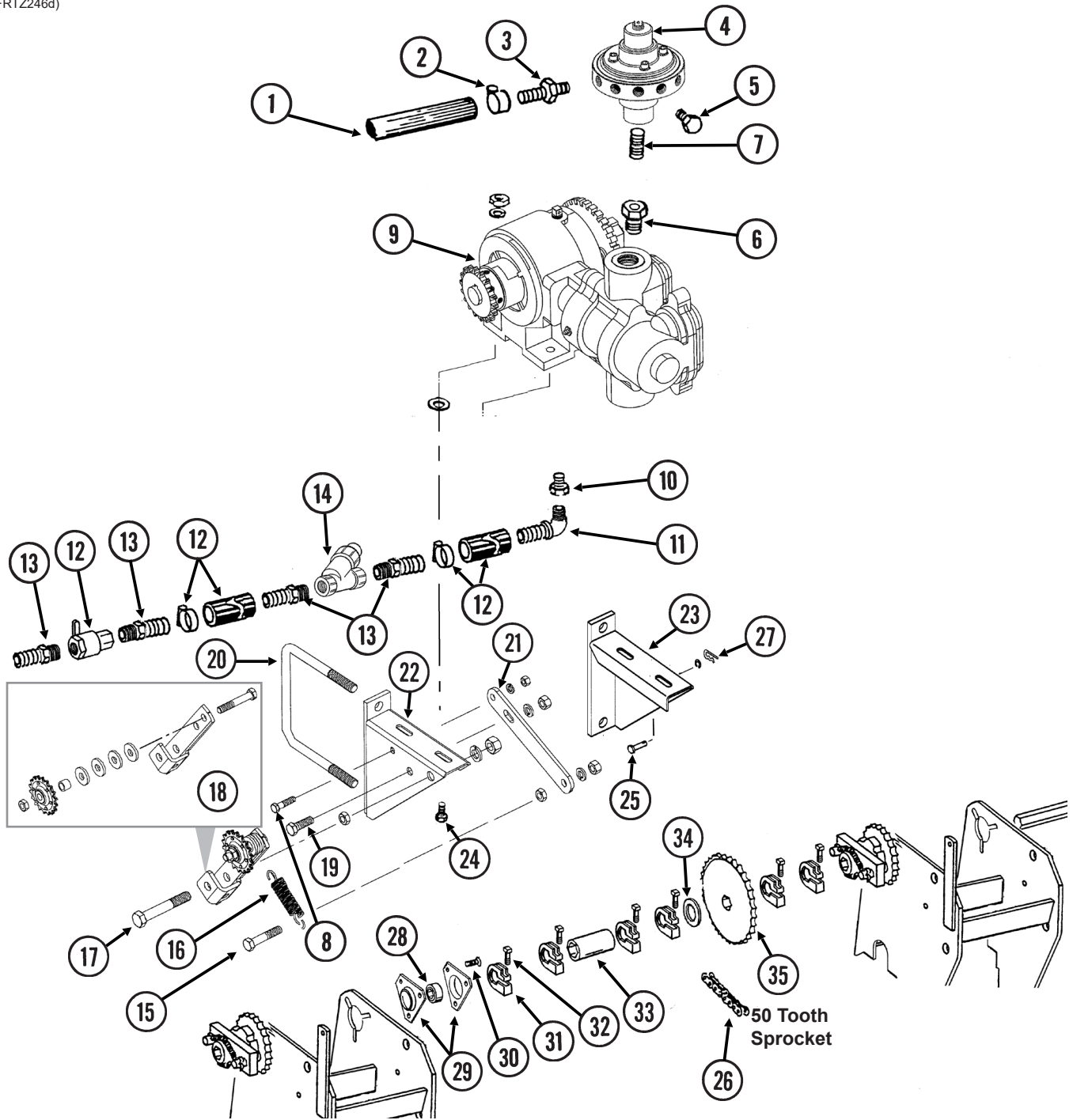
| ITEM | PART NO. | QTY. | DESCRIPTION |
|------|----------|------|---|
| 14 | G10672 | 1 | Hose Clamp, No. 28 |
| 15 | G10829 | 2 | Hex Head Cap Screw, 1/2"-13 x 6 1/2" (Used Between Light Assembly And Quick Fill Mount) |
| | G11389 | 2 | Flat Washer, 1/2" SAE |
| | G10228 | 2 | Lock Washer, 1/2" |
| | G10102 | 2 | Hex Nut, 1/2"-13 |
| 16 | GA4976 | - | Shutoff Valve, 1 1/4" NPT |
| | GR1015 | - | Body O-Ring (Included W/GA4976) |
| | GR1016 | - | Stem O-Ring (Included W/GA4976) |
| | GR1017 | - | Teflon Seat (Included W/GA4976) |
| | GR1018 | - | Ball (Included W/GA4976) |
| | GR1019 | - | Handle (Included W/GA4976) |
| 17 | G10626 | - | Adapter, 1 1/4" NPT To Barb |
| 18 | G10674 | - | Hose Clamp, No. 24 |
| 19 | G10629 | 2 | Elbow, 90°, 1 1/4" NPT To Barb |
| 20 | G4200-02 | 1 | Hose, 1 1/4" x 27', 6 Row 30" |
| | G4200-03 | - | Hose, 1 1/4" x 32', 8 Row 30" |
| 21 | G10633 | 1 | Tee, 1 1/4" Barb |
| 22 | GD1747 | 4 | U-Bolt, 5" x 7" x 3/4"-10 |
| | G10231 | 8 | Lock Washer, 3/4" |
| | G10105 | 8 | Hex Nut, 3/4"-10 |
| 23 | G10007 | - | Hex Head Cap Screw, 5/8"-11 x 1 1/2" |
| | G10230 | - | Lock Washer, 5/8" |
| | G10104 | - | Hex Nut, 5/8"-11 |
| 24 | GD10110 | - | Mounting Angle (2 Per Tank) |
| 25 | G10901 | 16 | Lock Nut, 3/8"-16 |
| 26 | G10485 | 16 | Hex Head Tap Bolt, 3/8"-16 x 5" |
| 27 | G4602-01 | 1 | Black Helix Hose, 1 1/4" x 18' |
| 28 | G10674 | 4 | Hose Clamp, No. 24 |
| 29 | GD11124 | 4 | Strap, 84" |
| 30 | GD11123 | 8 | Anchor (Sub GA8114) |

Liquid Fertilizer Piston Pump Mounting Brackets and Driveline

Model 3505

M0311-02

(FRTZ246d)



| ITEM | PART NO. | QTY. | DESCRIPTION |
|------|----------|------|---|
| 1 | G4301-02 | - | Hose, 3/8" x 50', 6 Row 30" |
| | G4301-04 | - | Hose, 3/8" x 100', 8 Row 30" |
| 2 | G10681 | 8 | Hose Clamp, No. 6 (As Required) |
| 3 | GD11700 | - | Adapter, 1/4" NPT To 3/8" Barb (As Required) |
| 4 | --- | - | See "Liquid Fertilizer Piston Pump Flow Divider" on page P244 |
| 5 | G10292 | - | Pipe Plug, 1/4" NPT (As Required) |
| 6 | G11237 | 1 | Reducing Bushing, 1 1/2" Male NPT To 3/4" Female |
| 7 | G10994 | 1 | Close Nipple, 3/4" NPT, Stainless Steel |

Liquid Fertilizer Piston Pump Mounting Brackets and Driveline

M0311-02

Model 3505

| ITEM | PART NO. | QTY. | DESCRIPTION |
|------|----------|------|--|
| 8 | G10003 | 1 | Hex Head Cap Screw, 3/8"-16 x 1 1/2" |
| | G10229 | 1 | Lock Washer, 3/8" |
| | G10101 | 1 | Hex Nut, 3/8"-16 |
| 9 | --- | - | See "Liquid Fertilizer Piston Pump Uses 18 Tooth Sprocket" on page P242 |
| 10 | G10615 | 1 | Reducing Bushing, 1 1/2" Male NPT To 1 1/4" Female |
| 11 | G10629 | 1 | Elbow, 90°, 1 1/4" NPT To Barb |
| 12 | --- | - | See "Liquid Fertilizer Tanks, Saddles, Mounts, Hoses, and Fittings" on page P238 |
| 13 | G10626 | 4 | Adapter, 1 1/4" NPT To Barb |
| 14 | GA3893 | 1 | Strainer Complete |
| | GR0880 | - | Screen, No. 40 Mesh (Included W/GA3893) |
| | GR0881 | - | Gasket (Included W/GA3893) |
| | GR0882 | - | Y-Body (Included W/GA3893) |
| | GR0883 | - | End Cap (Included W/GA3893) |
| 15 | G10053 | 1 | Hex Head Cap Screw, 1/2"-13 x 2 1/2" |
| | G10228 | 1 | Lock Washer, 1/2" |
| | G10501 | 1 | Hex Jam Nut, 1/2"-13, Grade 2 |
| | G10102 | 1 | Hex Nut, 1/2"-13 |
| 16 | GD5857 | 1 | Spring |
| 17 | G10036 | 1 | Hex Head Cap Screw, 5/8"-11 x 4" |
| | G10230 | 1 | Lock Washer, 5/8" |
| | G10503 | 1 | Hex Jam Nut, 5/8"-11, Grade 2 |
| | G10104 | 1 | Hex Nut, 5/8"-11 |
| 18 | GA11024 | 1 | Idler W/Sprocket And Hardware |
| | GA7154 | 1 | Sprocket W/Bearing, 18 Tooth (Included W/GA11024) |
| | G10038 | 1 | Hex Head Cap Screw, 1/2"-13 x 3" (Included W/GA11024) |
| | G10168 | 4 | Machine Bushing, 1/2", 7 Gauge (Included W/GA11024) |
| | GD11158 | 1 | Spacer, 3/4" O.D. x 5/16" Long (Included W/GA11024) |
| | G10501 | 1 | Hex Jam Nut, 1/2"-13, Grade 2 (Included W/GA11024) |
| 19 | G10037 | 1 | Hex Head Cap Screw, 1/2"-13 x 1 1/4" |
| | G10228 | 1 | Lock Washer, 1/2" |
| | G10102 | 1 | Hex Nut, 1/2"-13 |
| 20 | GD1113 | 2 | U-Bolt, 5" x 7" x 5/8"-11 |
| | G10230 | 4 | Lock Washer, 5/8" |
| | G10104 | 4 | Hex Nut, 5/8"-11 |
| 21 | GD16157 | 1 | Bracket |
| 22 | GA10603 | 1 | Pump Mount, L.H. |
| 23 | GA4620 | 1 | Pump Mount, R.H. |
| 24 | G10001 | 4 | Hex Head Cap Screw, 3/8"-16 x 1" |
| | GR1122 | 4 | Mounting Pad |
| | G11387 | 4 | Flat Washer, 3/4" SAE |
| | G10229 | 4 | Lock Washer, 3/8" |
| | G10101 | 4 | Hex Nut, 3/8"-16 |
| 25 | G10478 | 1 | Clevis Pin, 5/16" x 1" |
| | G10409 | 1 | Retaining Ring, 5/16" |
| 26 | G3310-88 | 1 | Chain, No. 40, 88 Pitch Including Connector Link |
| | GR0912 | - | Connector Link, No. 40 |
| 27 | G10670 | 1 | Hair Pin Clip, No. 3 |
| 28 | G2100-03 | 1 | Bearing, 7/8" Hex Bore, Spherical |
| 29 | G3400-01 | 2 | Flangette |
| 30 | G10303 | 3 | Carriage Bolt, 5/16"-18 x 1" |
| | G10620 | 3 | Serrated Flange Nut, 5/16"-18 |
| 31 | GD11045 | 5 | Lock Clamp |
| 32 | G10130 | 5 | Square Head Machine Bolt, 5/16"-18 x 1 3/4" |
| | G10923 | 5 | Flange Nut, 5/16"-18, No Serration |
| 33 | GD1719 | 1 | Coupler, 4" |
| 34 | G10233 | 1 | Machine Bushing, 1 1/2" x 1/2", 10 Gauge |
| 35 | GA5194 | 1 | Sprocket, 50 Tooth |

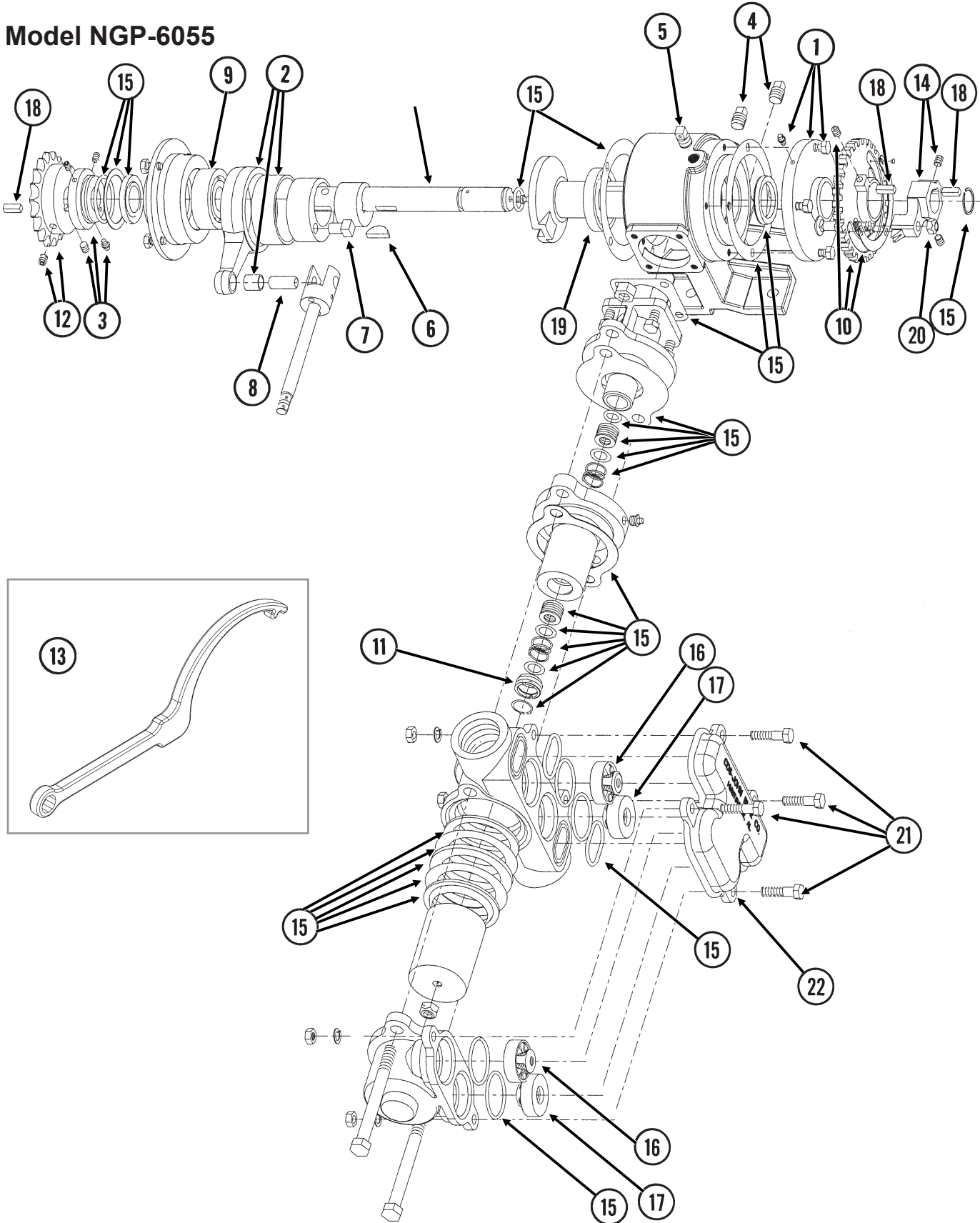
Liquid Fertilizer Piston Pump Uses 18 Tooth Sprocket

Model 3505

M0311-02

(A12335a/GR1808)

Model NGP-6055



Liquid Fertilizer Piston Pump Uses 18 Tooth Sprocket

M0311-02

Model 3505

| ITEM | PART NO. | QTY. | DESCRIPTION |
|------|----------|------|---|
| 1 | GR1804 | 1 | Flange Cover Assembly |
| | G10991 | 4 | Hex Head Cap Screw, 5/16"-18 x 7/8" |
| 2 | GR1802 | 1 | Connecting Rod Assembly |
| 3 | GR1801 | 1 | Spacer Assembly |
| | G10693 | 3 | Hex Socket Head Set Screw, 5/16"-18 x 3/8" |
| 4 | GR1123 | 2 | Plug |
| 5 | GR1543 | 1 | Vent Plug |
| 6 | GR1112 | 1 | Woodruff Key |
| 7 | GR1120 | 1 | Eccentric Pin |
| 8 | GR1124 | 1 | Pin |
| 9 | GR1104 | 1 | Bearing |
| 10 | GR1805 | 1 | Setting Hub Assembly |
| 11 | GR1134 | 1 | Stuffing Box Insert |
| 12 | GR1389 | 1 | Sprocket, 18 Tooth |
| 13 | GR1808 | 1 | Adjustment Wrench |
| 14 | GR1806 | 1 | Setting Pointer Assembly |
| 15 | GR1795 | 1 | Repair Kit, Includes: (6) Gaskets, (9) O-Rings, (4) Washers, (1) Retaining Ring, (2) Oil Seals, (1) Snap Ring, (1) Thrust Washer, (1) Rod Bushing, (2) Flange Plunger Packings, (2) Packing Springs, (2) Rod Vee Packing Sets |
| 16 | GR1799 | 2 | Discharge Valve Assembly |
| 17 | GR1797 | 2 | Suction Valve Assembly |
| 18 | GR1118 | 3 | Setting Arm Key |
| 19 | GR1116 | 1 | Bearing |
| 20 | G10306 | 1 | Carriage Bolt, 3/8"-16 x 2" |
| | G10108 | 1 | Lock Nut, 3/8"-16 |
| 21 | G10003 | 4 | Hex Head Cap Screw, 3/8"-16 x 1 1/2" |
| | G11387 | 4 | Flat Washer, 3/8" SAE |
| | G10229 | 4 | Lock Washer, 3/8" |
| | G10101 | 4 | Hex Nut, 3/8"-16 |
| 22 | GR2003 | 1 | Valve Cover |
| 23 | GR2185 | 1 | Crankshaft |
| A | GA12330 | - | Piston Pump Complete W/18 Tooth Sprocket (Model NGP-6055) |

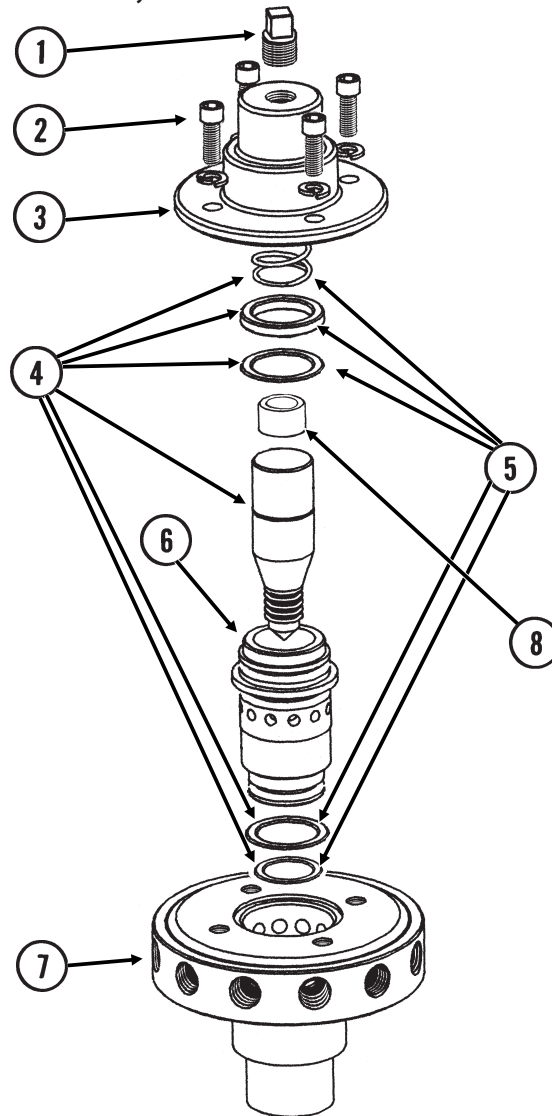
Liquid Fertilizer Piston Pump Flow Divider

Model 3505

M0311-02

(FRTZ159/PT40a/FRTZ202c)

Model FD-1200 Flow Divider, 12 Outlet



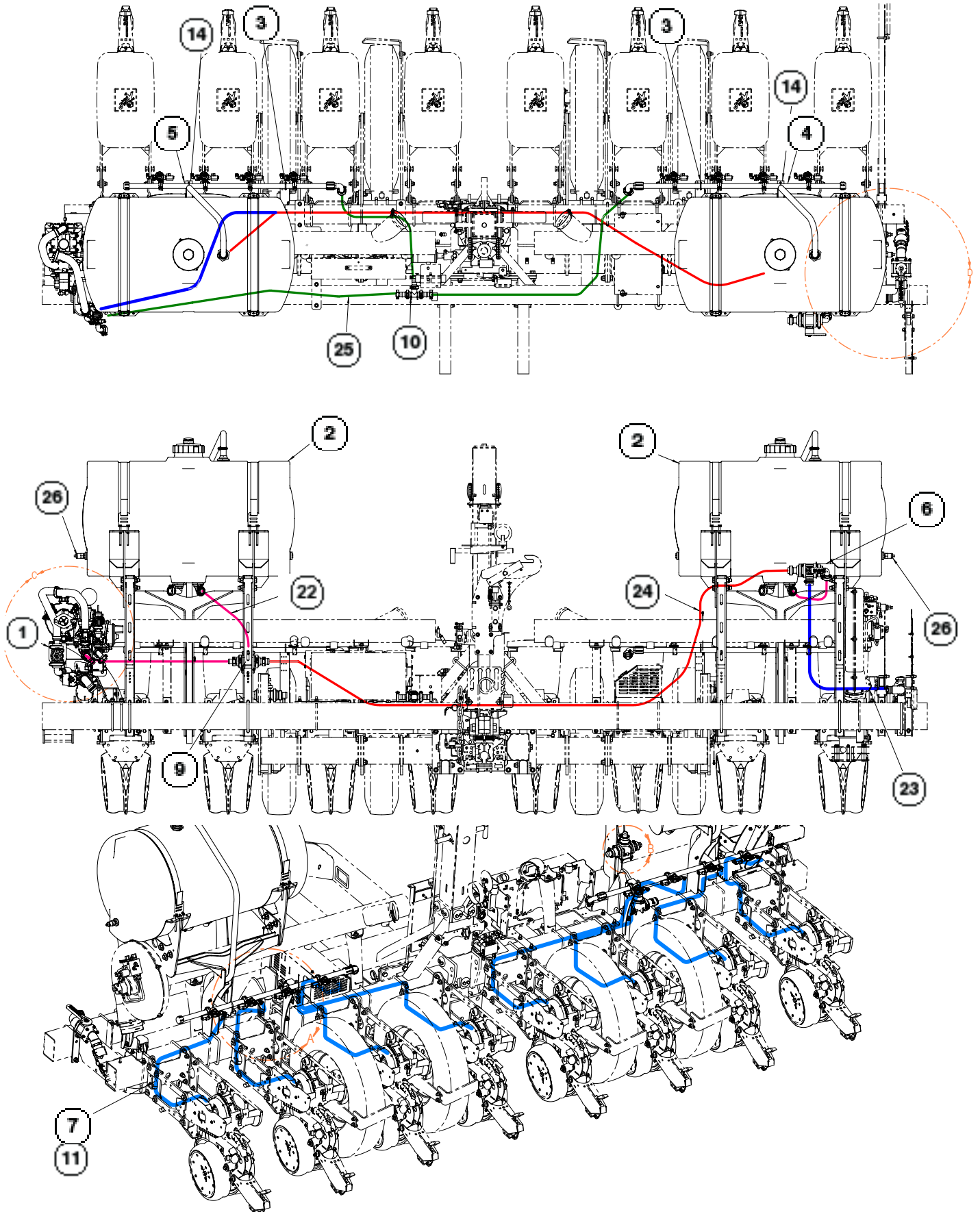
3/4" NPT

| ITEM | PART NO. | QTY. | DESCRIPTION |
|------|----------|------|--|
| 1 | GR1543 | 1 | Vent Plug |
| 2 | GR1542 | 4 | Hex Socket Head Screw, 1/4"-20 x 3/4" |
| | GR1541 | 4 | Lock Washer, 1/4", Stainless Steel |
| 3 | GR1540 | 1 | Cap |
| 4 | GR1544 | 1 | Needle Assembly W/Seal Kit (Item 22) |
| 5 | GR1545 | 1 | Seal Kit, Includes: (3) O-Rings, (1) Seal, (1) Spring |
| 6 | GR1535 | 1 | Sleeve |
| 7 | GR1533 | 1 | Body (12 Outlets) |
| 8 | GR1574 | - | Sleeve, 1" O.D. x 1/2" Long, Stainless Steel |
| A | GA8931 | 1 | Liquid Fertilizer Piston Pump Flow Divider Complete, 12 Outlet (Model FD-1200) |

Blue Drive Blue Vantage Liquid Fertilizer

M0311-02

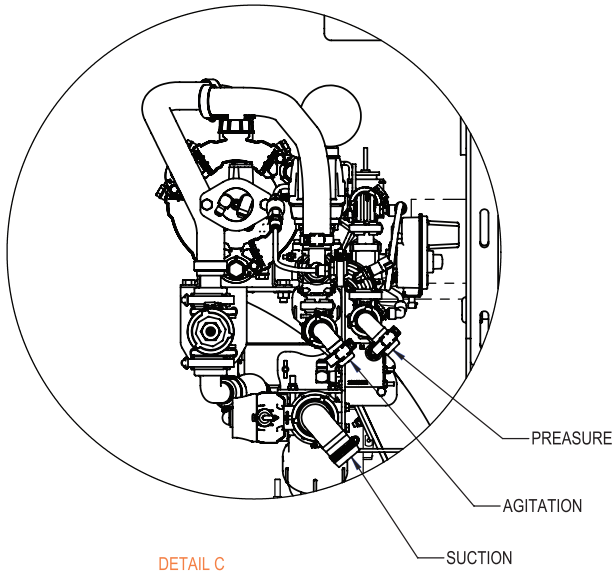
Model 3505



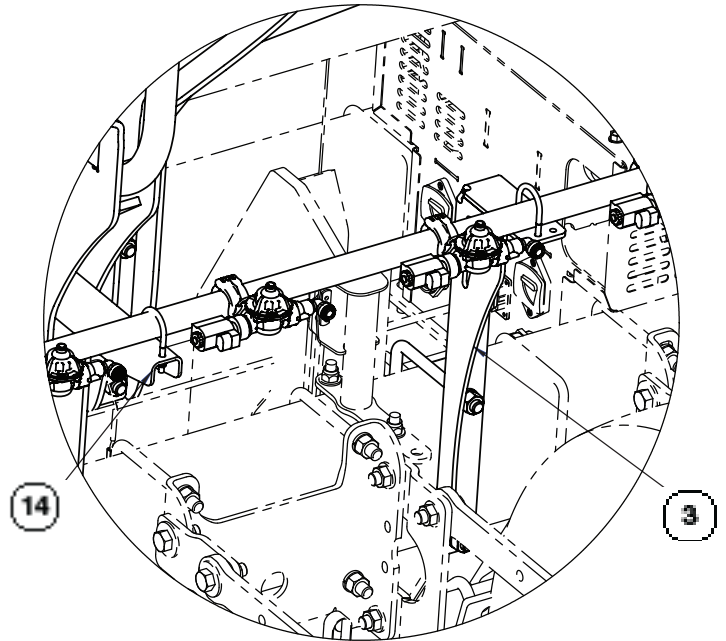
Blue Drive Blue Vantage Liquid Fertilizer

Model 3505

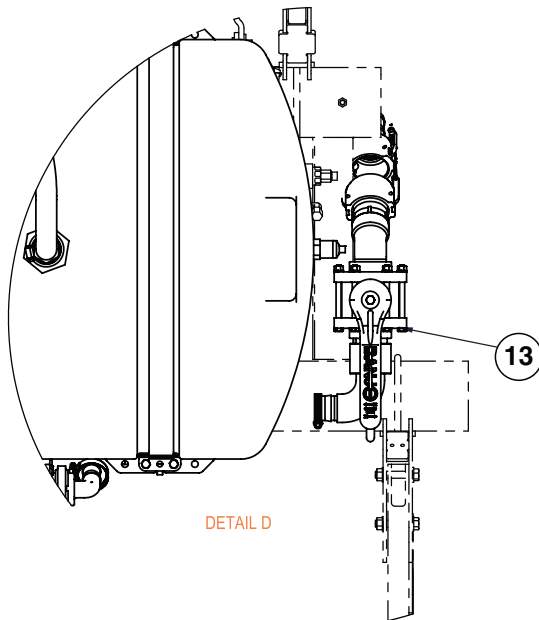
M0311-02



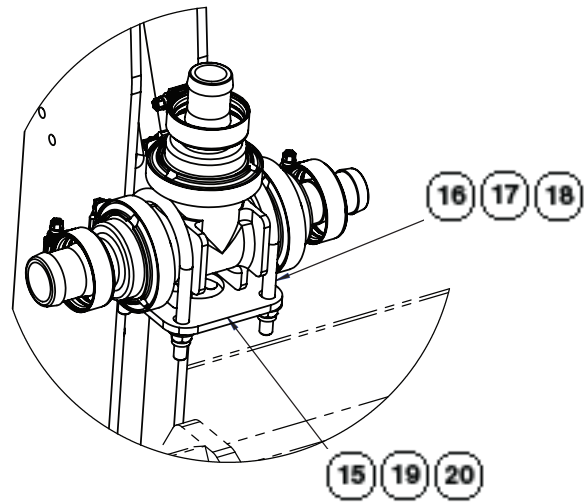
DETAIL C



DETAIL A



DETAIL D



DETAIL B

Blue Drive Blue Vantage Liquid Fertilizer

M0311-02

Model 3505

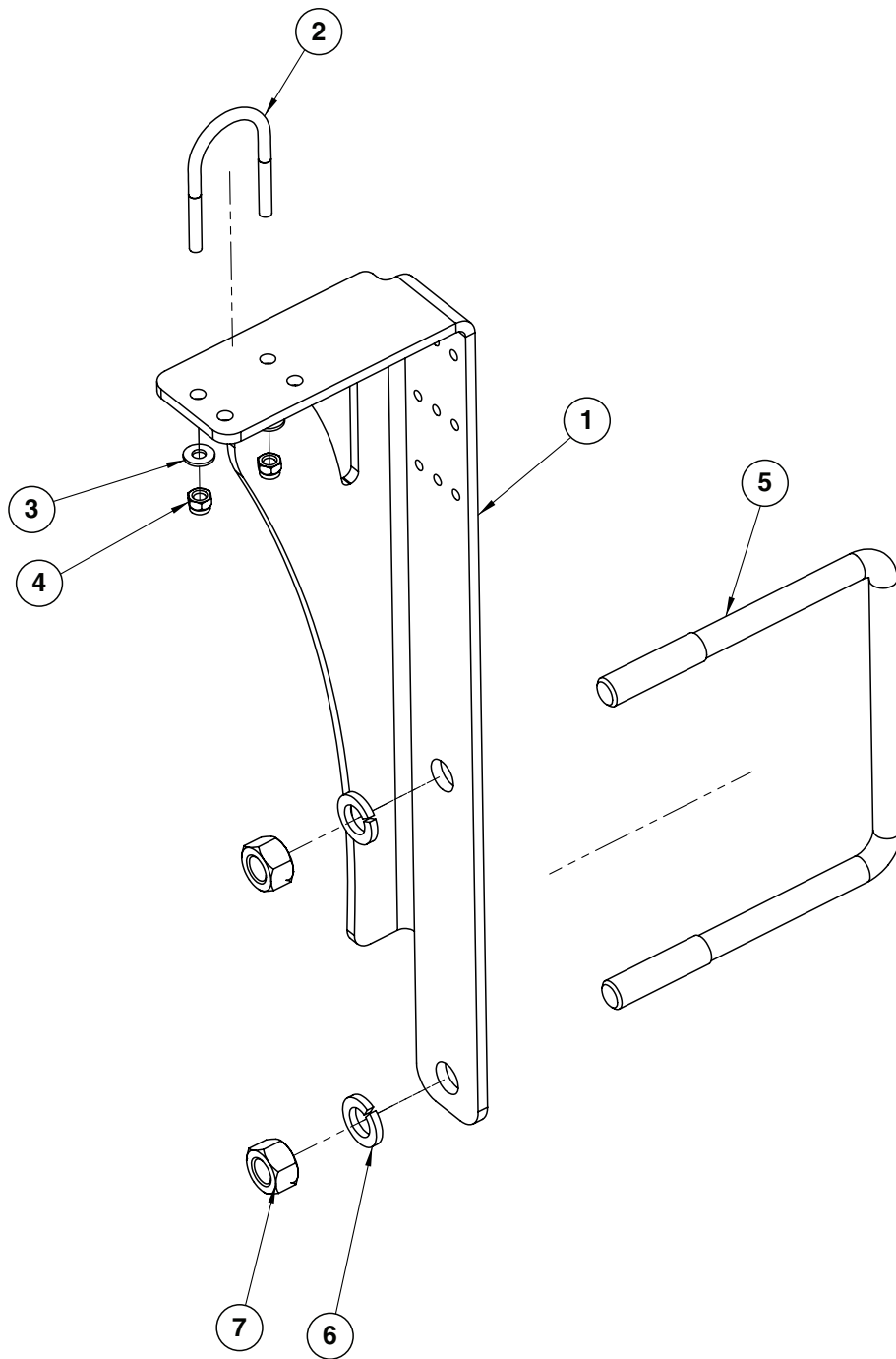
| ITEM | PART NO. | QTY. | DESCRIPTION |
|------|-----------|------|--|
| 1 | G10713601 | 1 | Liquid Fertilizer Pump |
| 2 | G10713901 | 2 | 150 Gal. Tank Unit |
| 3 | G10735201 | 2 | Rail Support |
| 4 | G10887401 | 1 | Liquid Fertilizer Manifold with Switch |
| 5 | G10887402 | 1 | Liquid Fertilizer Manifold with Switch |
| 6 | G10737901 | 1 | 3-Way Valve |
| 7 | G10609021 | 1 | TUBE URETHANE 3/8 OD X .065W BLK X 900 |
| 8 | G10702901 | 1 | Tee, 2" - 1.5/1.5/2.0 |
| 9 | G10702801 | 1 | Tee, 1" - 1.25/1.25/1.5 |
| 10 | G10695901 | 1 | Front and Rear Tee |
| 11 | GD29709 | 16 | Support Tube |
| 12 | G10739301 | 1 | BV Liquid Fertilizer Harness Routing |
| 13 | G10695001 | 1 | Quick Fill |
| 14 | G10738101 | 2 | Rail Holder |
| 15 | G10805001 | 1 | Tee Holder |
| 16 | G10510201 | 2 | U-Bolt, 2-1/2" x 4-5/16" |
| 17 | G11387 | 4 | Hardened Washer, 3/8" SAE |
| 18 | G10108 | 4 | Lock Nut, 3/8"-16 |
| 19 | G10857 | 2 | Hex Head Cap Screw, 1/4"-20 x 1 1/4" |
| 20 | G10211 | 4 | Washer, 1/4" SAE |
| 21 | G10110 | 2 | Lock Nut, 1/4"-20, Grade B |
| 22 | G10616812 | 1 | Hose, 1.8 OD X 1-1/4 ID X 250 IN |
| 23 | G10616602 | 1 | Hose, 2.6 OD X 2 ID X 192 IN |
| 24 | G10616710 | 1 | Hose, 2.1 OD X 1-1/2 ID X 450 IN |
| 25 | G10616505 | 1 | Hose, 1.61 OD X 1-1/4 ID X 276 IN |
| 26 | GA18720 | 2 | Liquid Level Sensor |
| 27 | G10734101 | 1 | BV Liquid Fertilizer Hydraulic Hose |

Rail Support

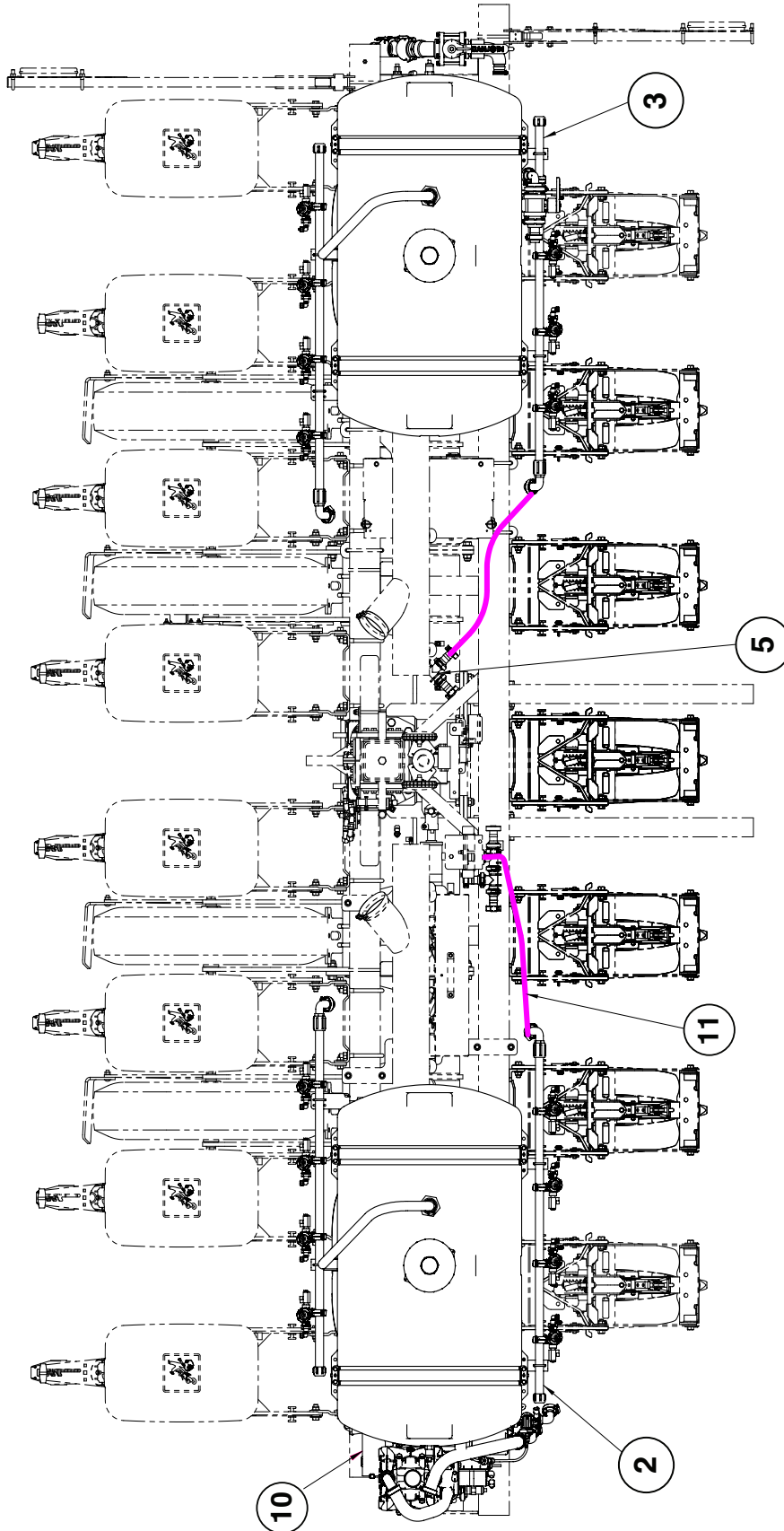
Model 3505

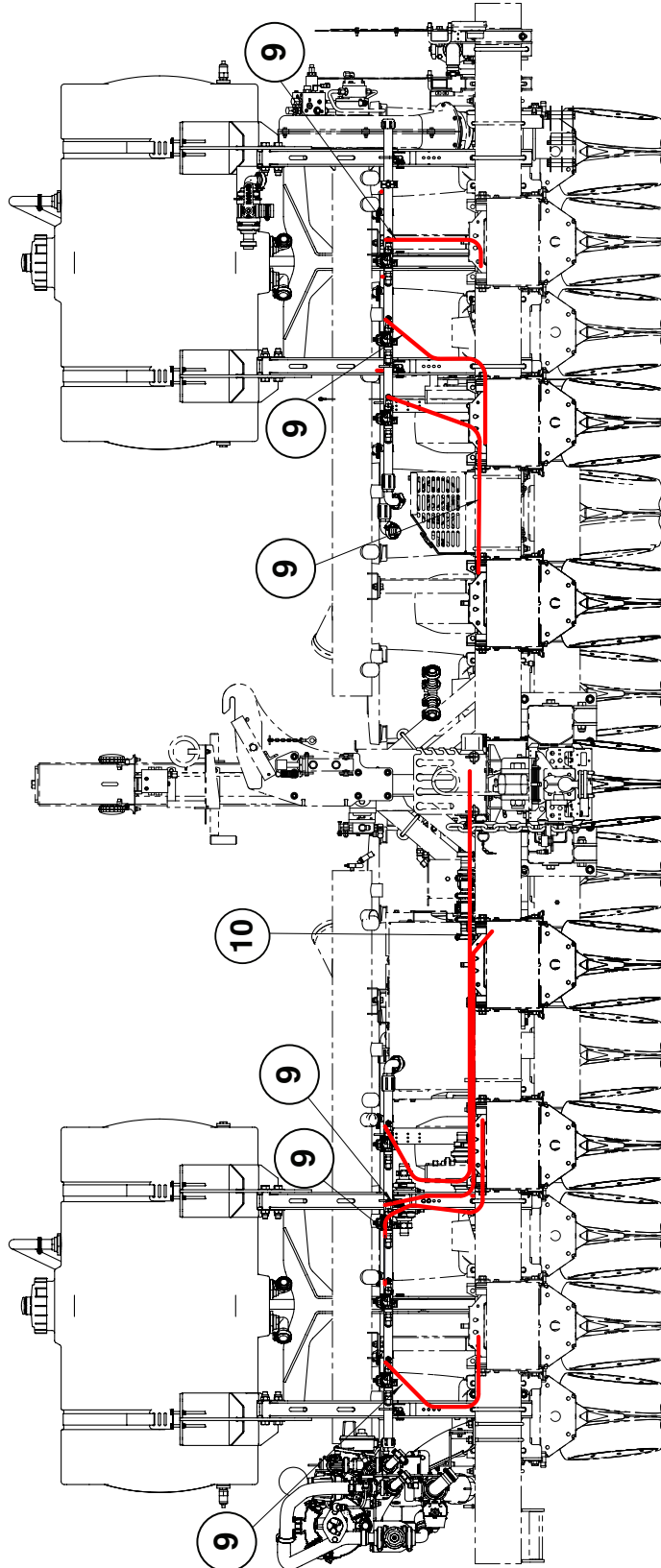
M0311-02

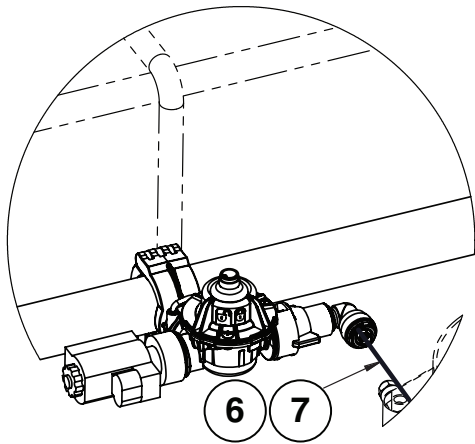
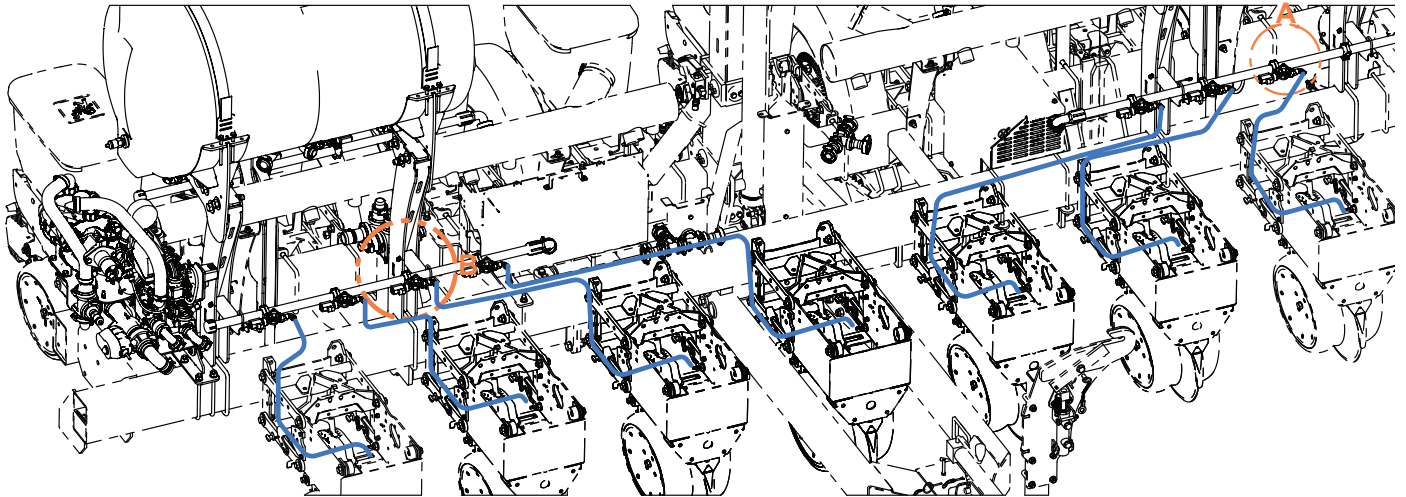
(107352)



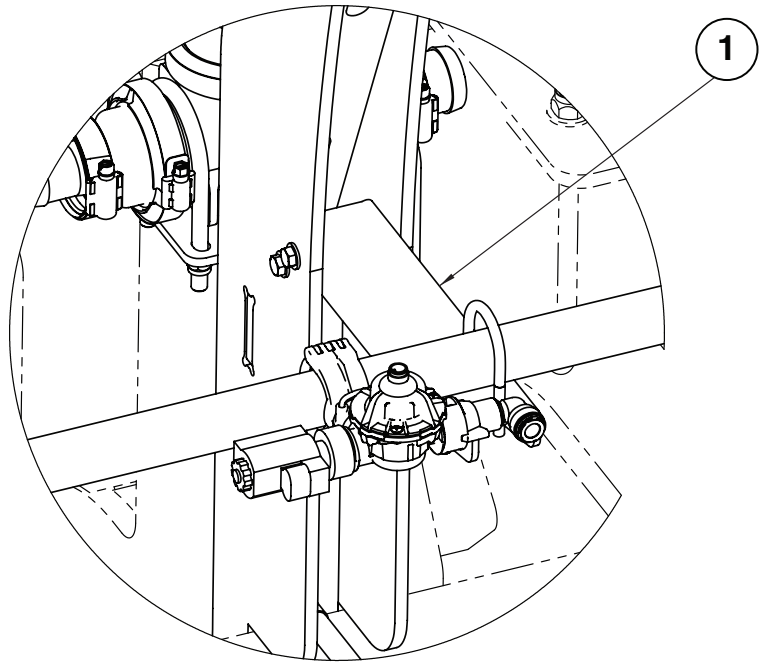
| ITEM | PART NO. | QTY. | DESCRIPTION |
|------|-----------|------|----------------------------|
| 1 | G10952801 | 1 | Rail Holder |
| 2 | GD26274 | 1 | U-Bolt, 1-1/2" x 1/4"-20 |
| 3 | G11385 | 2 | Flat Washer, 1/4" SAE |
| 4 | G11320 | 2 | Lock Nut, 1/4"-20, Grade B |
| 5 | GD1113 | 1 | U-Bolt, 5" x 7" x 5/8"-11 |
| 6 | G10230 | 2 | Lock Washer, 5/8" |
| 7 | G10104 | 2 | Hex Nut, 5/8"-11 |







DETAIL A



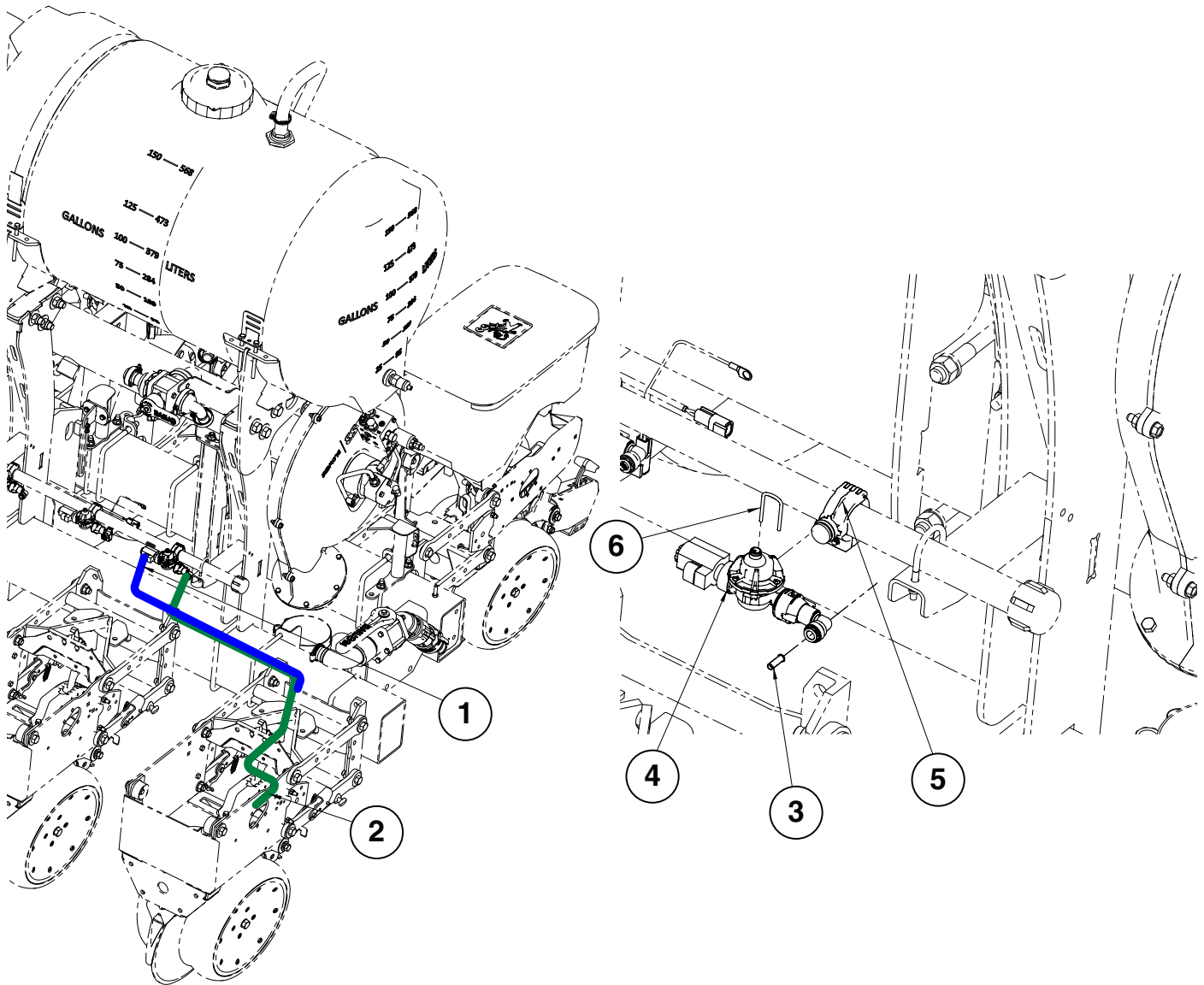
DETAIL B

| ITEM | PART NO. | QTY. | DESCRIPTION |
|-------------|-----------------|-------------|---|
| 1 | G10738101 | 4 | Rail Holder |
| 2 | G10887401 | 1 | Liquid Fertilizer Manifold with Switch |
| 3 | G10887501 | 1 | Liquid Fertilizer Manifold with Switch, Split Row |
| 4 | G10695902 | 1 | Front and Rear Tee |
| 5 | G10695901 | 1 | Front and Rear Tee |
| 6 | GD29709 | 14 | Support Tube |
| 7 | G10609021 | 1 | TUBE URETHANE 3/8 OD X .065W BLK X 900 |
| 8 | G10616502 | 1 | Hose, 1.61 OD X 1-1/4 ID X 72 IN |
| 9 | G10840303 | 7 | Fertilizer Row Unit Extension Harness, 66" |
| 10 | GD27290 | 8 | Mesh Strainer |

Liquid Fertilizer Even Row

M0311-02

Model 3505

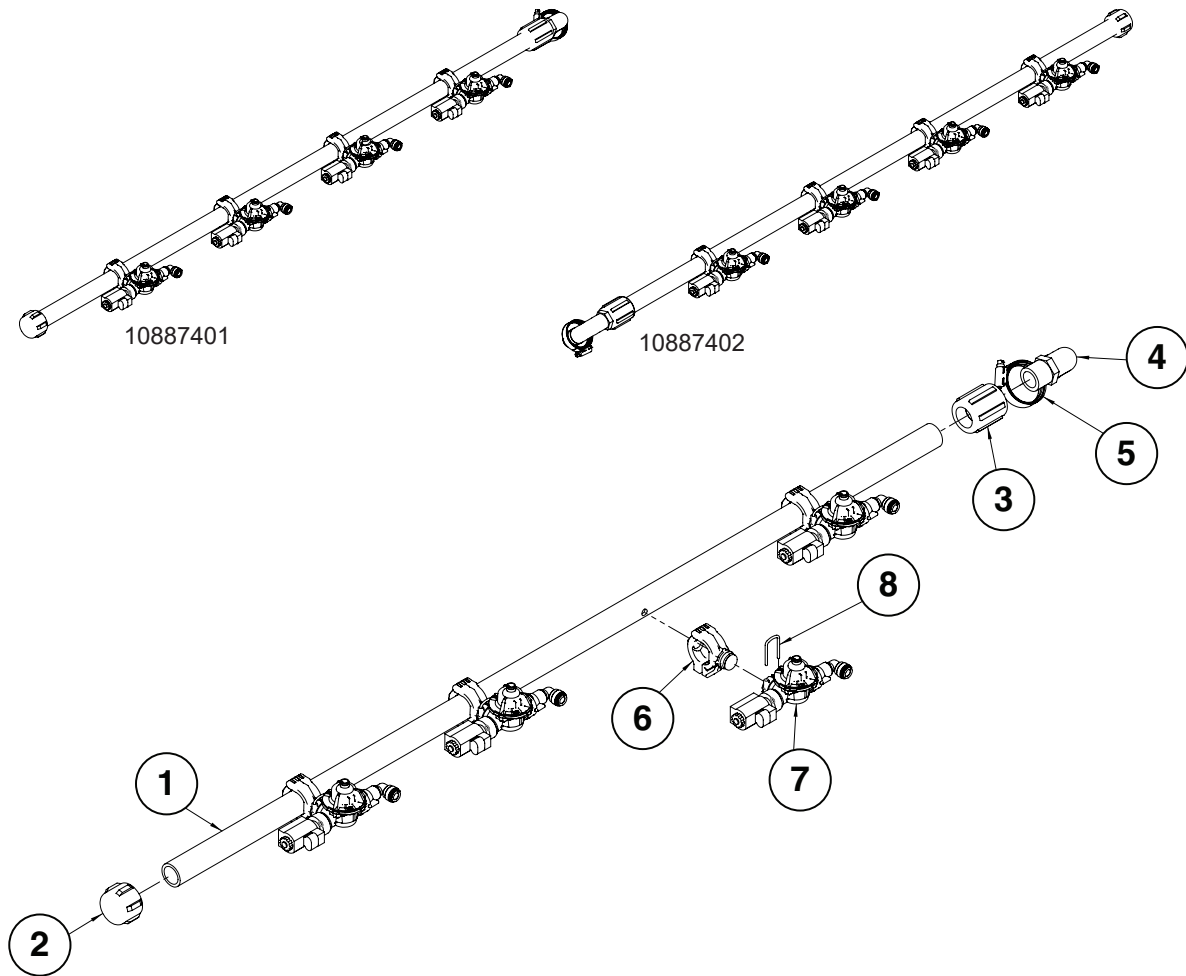


| ITEM | PART NO. | QTY. | DESCRIPTION |
|------|-----------|------|--|
| 1 | G10840303 | 1 | Fertilizer Row Unit Extension Harness, 66" |
| 2 | G10609007 | 1 | TUBE URETHANE 3/8 OD X .065W BLK X 120.000 |
| 3 | GD29709 | 2 | Support Tube |
| 4 | G10773301 | 1 | Manifold Row Flow Basic Assembly |
| 5 | G10773801 | 1 | Manifold Clamp |
| 6 | G10833001 | 1 | Wire Retention Clip |

Liquid Fertilizer Manifold with Switch

Model 3505

M0311-02



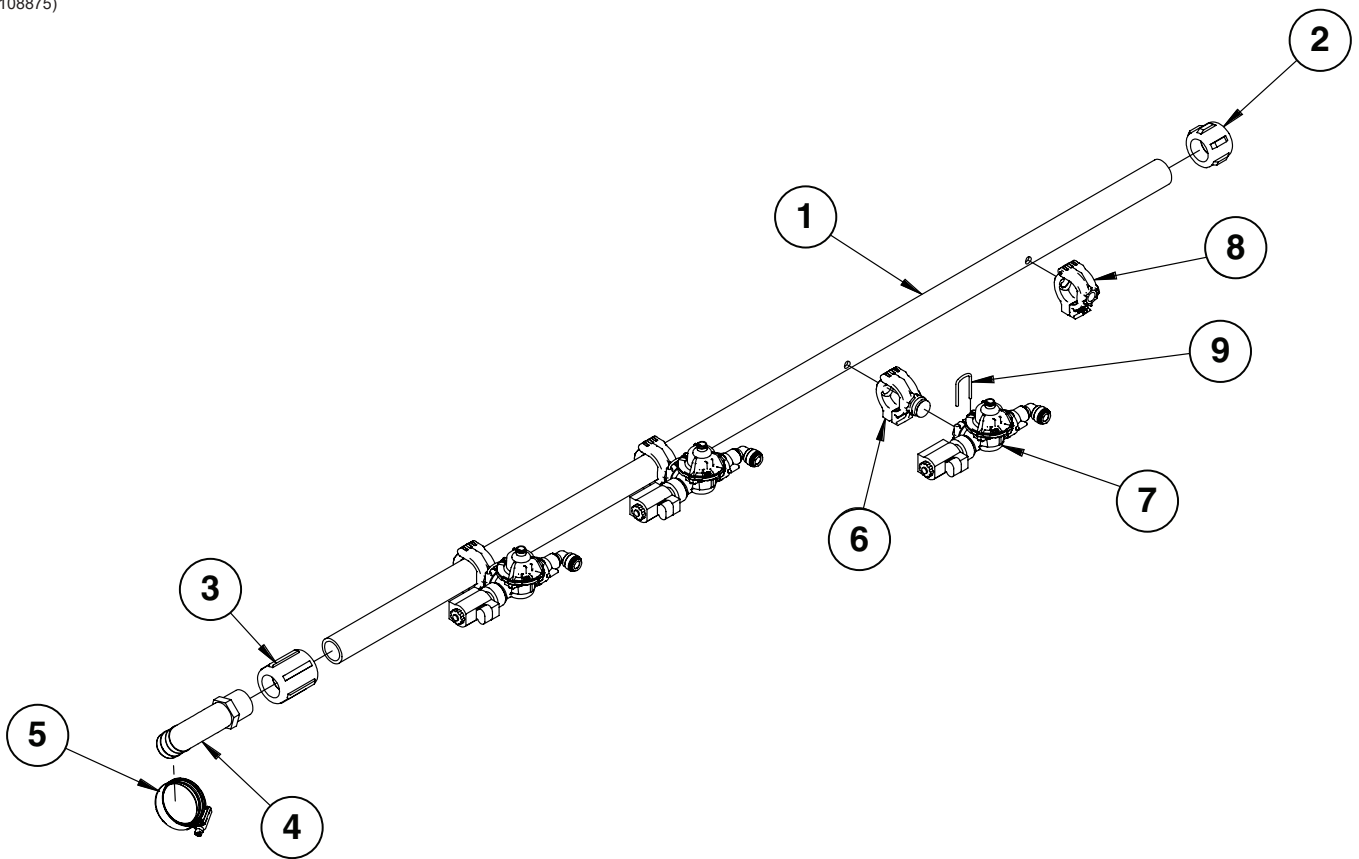
| ITEM | PART NO. | QTY. | DESCRIPTION |
|------|-----------|------|--------------------------------------|
| 1 | G10695301 | 1 | Rail |
| 2 | GD22503 | 1 | 1" Pipe Cap |
| 3 | G11554 | 1 | 1" Pipe Coupling |
| 4 | G11460 | 1 | 90° Elbow, 1" NPT x 1 1/4" Hose Barb |
| 5 | G10829101 | 1 | Hose Clamp |
| 6 | G10773801 | 4 | Manifold Clamp |
| 7 | G10773301 | 4 | Manifold Row Flow Basic Assembly |
| 8 | G10833001 | 4 | Wire Retention Clip |

Liquid Fertilizer Manifold with Switch (Split Row)

M0311-02

Model 3505

(108875)

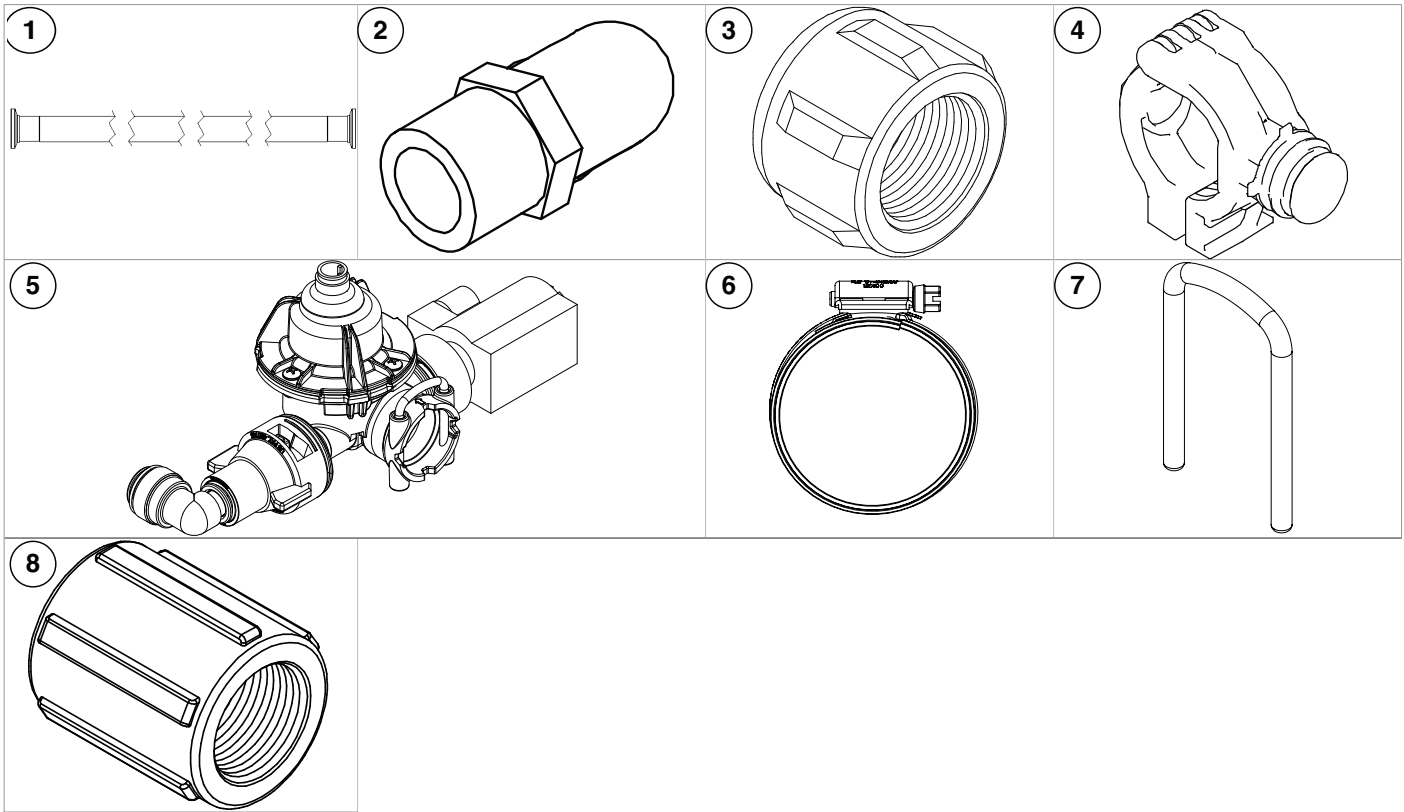


| ITEM | PART NO. | QTY. | DESCRIPTION |
|------|-----------|------|--------------------------------------|
| 1 | G10695301 | 1 | Rail |
| 2 | GD22503 | 1 | 1" Pipe Cap |
| 3 | G11554 | 1 | 1" Pipe Coupling |
| 4 | G11460 | 1 | 90° Elbow, 1" NPT x 1 1/4" Hose Barb |
| 5 | G10829101 | 1 | Hose Clamp |
| 6 | G10773801 | 3 | Manifold Clamp |
| 7 | G1077330 | 3 | Manifold Row Flow Basic Assembly |
| 8 | G10608701 | 1 | Blank Nozzle Body |
| 9 | G10833001 | 3 | Wire Retention Clip |

Fertilizer Manifold Parts

Model 3505

M0311-02



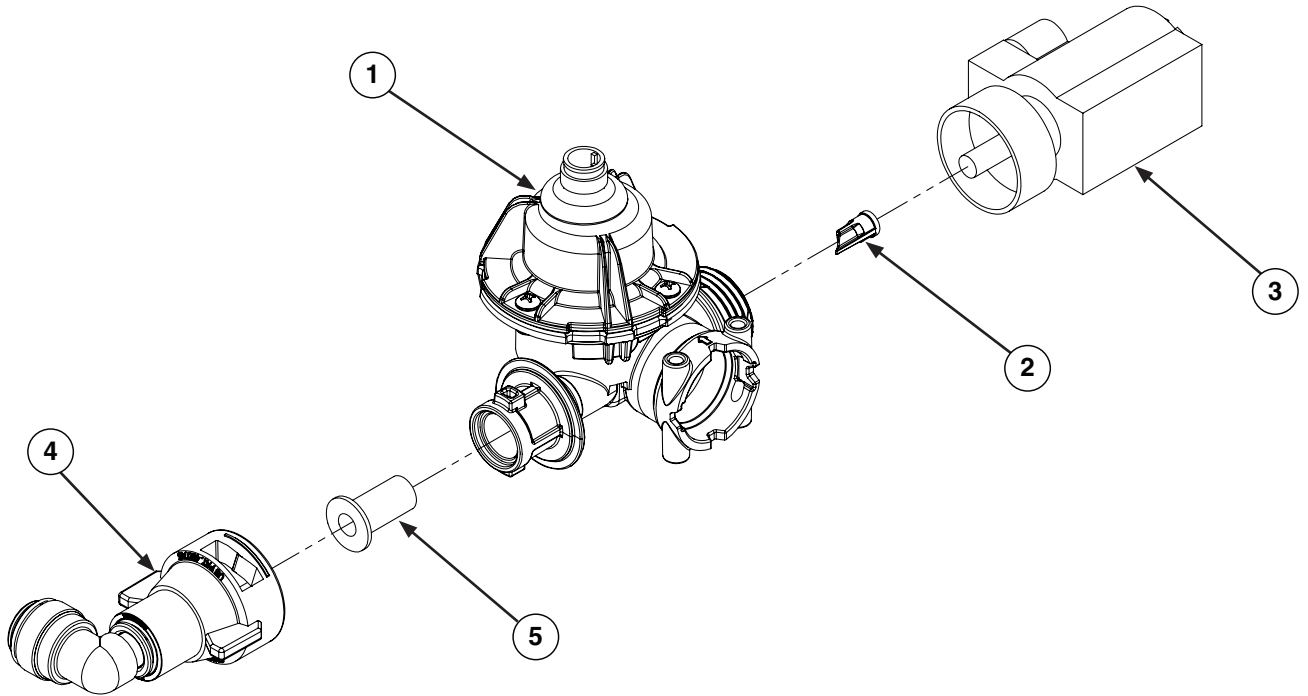
| ITEM | PART NO. | QTY. | DESCRIPTION |
|------|-----------|------|-----------------------------------|
| 1 | G10695301 | - | Rail |
| 2 | G11460 | - | 90° Elbow, 1" NPT x 1¼" Hose Barb |
| 3 | GD22503 | - | 1" Pipe Cap |
| 4 | G10773801 | - | Manifold Clamp |
| 5 | G10773301 | - | Manifold Row Flow Assembly |
| 6 | G10829101 | - | Hose Clamp |
| 7 | G10833001 | - | Wire Retention Clip |
| 8 | G11554 | - | 1" Pipe Coupling |

Manifold Row Flow Assembly

M0311-02

Model 3505

(107733)



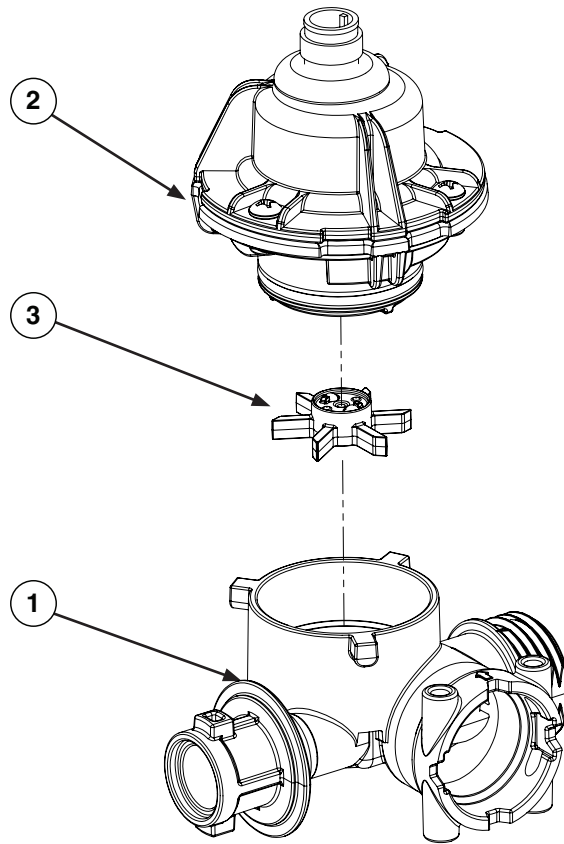
| ITEM | PART NO. | QTY. | DESCRIPTION |
|------|-----------|------|---|
| 1 | G11007101 | 1 | See "Fertilizer Flow Meter Assembly" on page P256 |
| 2 | G10773101 | 1 | Flow Meter Orifice, 0.082" |
| 3 | GA20732 | 1 | Fertilizer Shut Off |
| 4 | G10522501 | 1 | Fertilizer Manifold Cap, 90° |
| 5 | G10943101 | 1 | Strainer Nozzle, 100 Mesh |

Fertilizer Flow Meter Assembly

Model 3505

M0311-02

(110071)



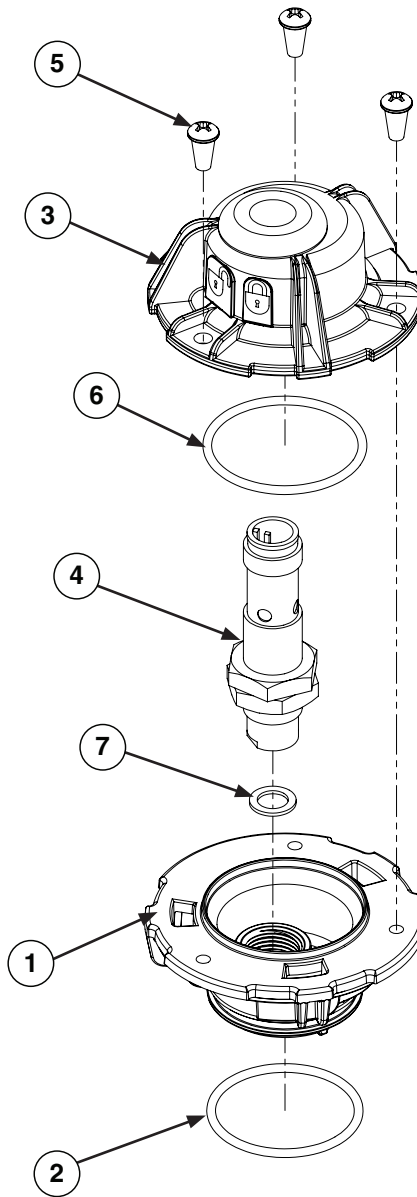
| ITEM | PART NO. | QTY. | DESCRIPTION |
|------|-----------|------|--|
| 1 | G10772302 | 1 | Manifold Fertilizer Flow Meter |
| 2 | G10772601 | 1 | See "Fertilizer Flow Meter Cover" on page P257 |
| 3 | G10773001 | 1 | Fertilizer Flow Meter Paddle Wheel Assembly |

Fertilizer Flow Meter Cover

M0311-02

Model 3505

(107726)



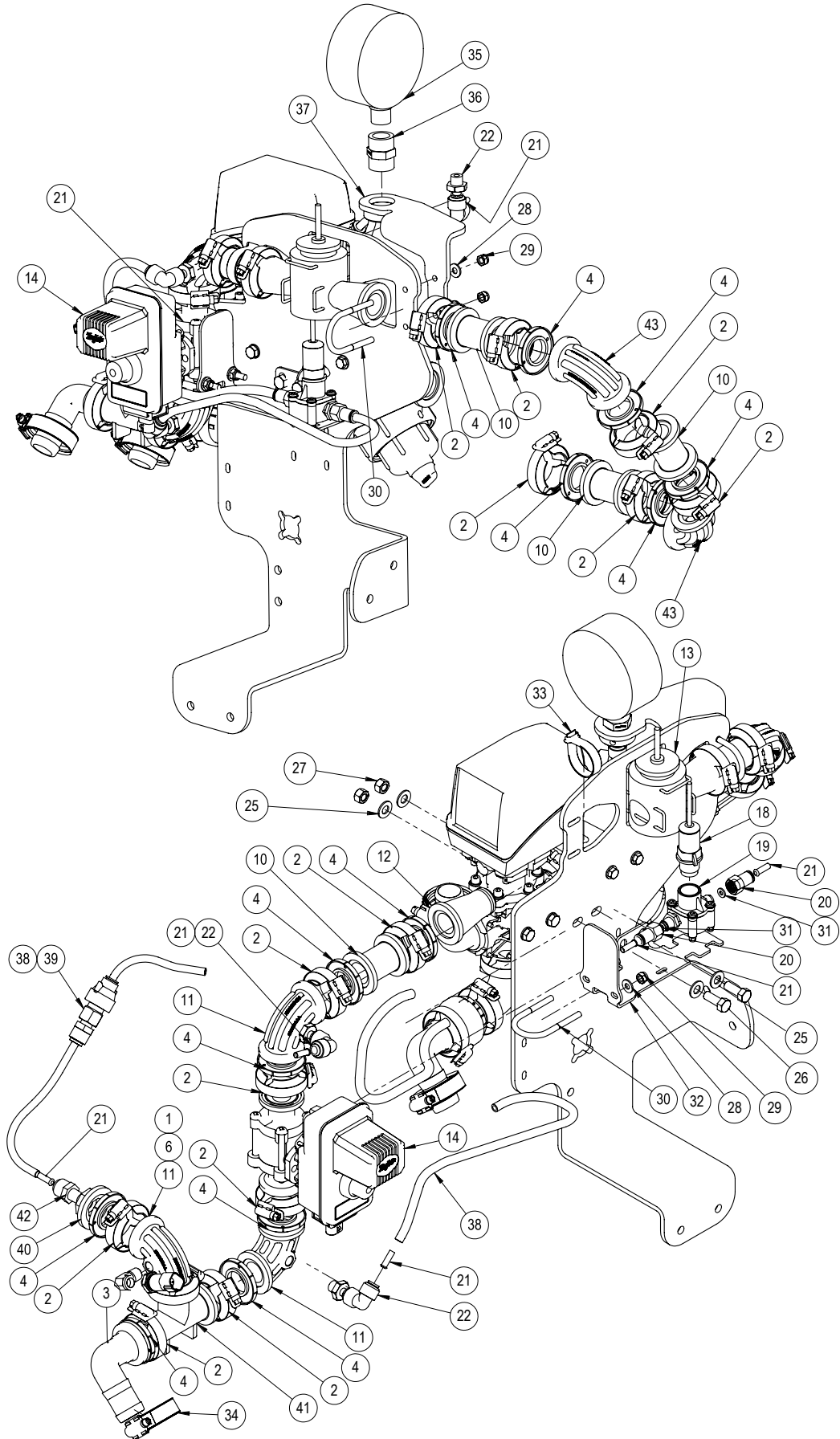
| ITEM | PART NO. | QTY. | DESCRIPTION |
|------|-----------|------|---|
| 1 | G10832301 | 1 | Fertilizer Flow Meter Cover |
| 2 | G10772501 | 1 | O-Ring, No. 24 |
| 3 | G10832401 | 1 | Dust Cap Assembly |
| 4 | G10832701 | 1 | Proximity Sensor |
| 5 | G10963001 | 3 | Phillips Pan Head Tapping Screw, 6-19 x 5/16" |
| 6 | G10833101 | 1 | O-Ring, No. 25 |
| 7 | G10840901 | 1 | Plastic Shim, 3/8" x 1/4" x .03" |

Liquid Fertilizer Filter Unit

Model 3505

M0311-02

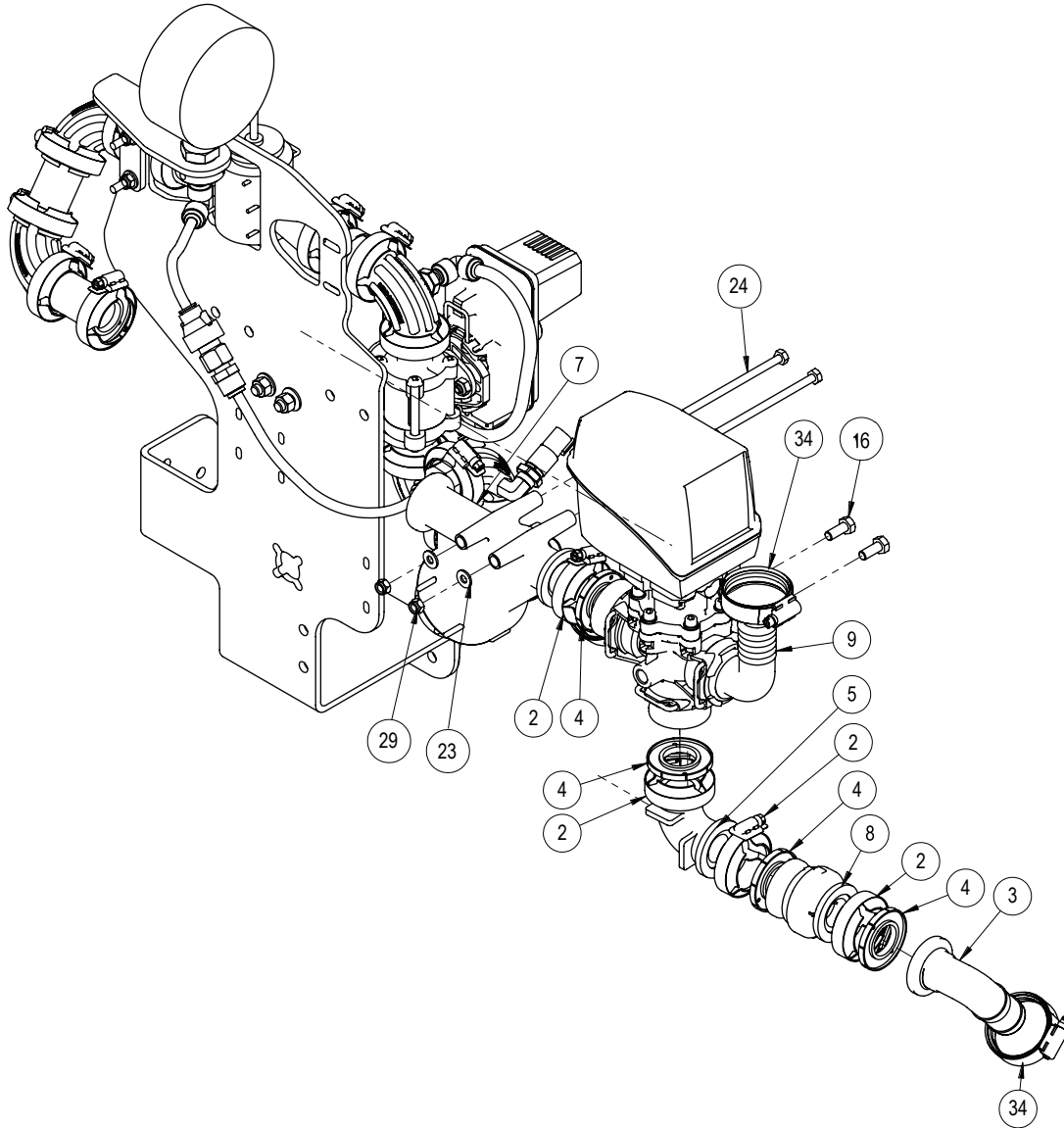
(107127)



Liquid Fertilizer Filter Unit

M0311-02

Model 3505



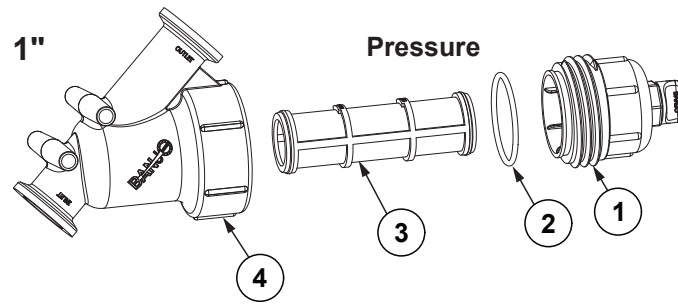
| ITEM | PART NO. | QTY. | DESCRIPTION |
|------|-----------|------|--|
| 1 | G10580101 | 1 | Reducer, 90°, 1/4"-18 NPT Male, X 1/8"-27 Female NPT |
| 2 | G11467 | 18 | Flange Clamp SS 50 Series |
| 3 | G10425601 | 2 | Flanged Elbow, 1" x 1 1/4" Barb, 90° |
| 4 | G10406801 | 18 | Gasket, 1", Skirted, Flanged |
| 5 | G11574 | 1 | 1" Manifold Coupling, 90° |
| 6 | GA14804 | 1 | Pressure Sensor (0-120 PSI) |
| 7 | G10398701 | 1 | Manifold Strainer, "Y", 1". w/80 Mesh Screen |
| 8 | G10466101 | 1 | Check Valve, 1" Manifold, Flanged |
| 9 | G10496401 | 1 | Pressure Regulator |
| 10 | G11575 | 4 | 1" Flanged Straight Coupling |
| 11 | G11698 | 3 | 90° Elbow with 1/4" Gauge Port Flange Sweep |
| 12 | GD26304 | 2 | Flow Meter Flanged Adapter |
| 13 | GA14813 | 1 | Flow Meter |
| 14 | G10632101 | 1 | Electric Ball Valve, 1" w/ Harness |
| 15 | G10681401 | 1 | Filter Plate |
| 16 | G12003-20 | 2 | Hex Head Cap Screw, M8-1,20 |
| 17 | G12081 | 2 | Flat Washer, M8 |
| 18 | G10629701 | 1 | Sensor, Mini Flow Meter |

Liquid Fertilizer Filter Unit

Model 3505

M0311-02

| ITEM | PART NO. | QTY. | DESCRIPTION |
|------|-------------|------|--|
| 19 | G10629801 | 1 | Mini Flow Meter |
| 20 | G10629901 | 2 | Adapter, 1/4" BSP to 3/8" Push to Connect |
| 21 | GD29709 | 6 | Support Tube |
| 22 | GA21614 | 3 | 90° Push-To-Connect Elbow |
| 23 | G10211 | 4 | Washer, 1/4" SAE |
| 24 | G11203 | 2 | Hex Head Cap Screw, 1/4"-20 x 4 1/2" |
| 25 | G10203 | 4 | Washer, 3/8" SAE |
| 26 | G10001 | 2 | Hex Head Cap Screw, 3/8"-16 x 1" |
| 27 | G10101 | 2 | Hex Nut, 3/8"-16 |
| 28 | G11385 | 4 | Flat Washer, 1/4" SAE |
| 29 | G10110 | 6 | Lock Nut, 1/4"-20, Grade B |
| 30 | GD26274 | 2 | U-Bolt, 1-1/2" x 1/4"-20 |
| 31 | G10636801 | 2 | Sealing Rubber Washer |
| 32 | G10663901 | 1 | Bracket, Mini Flow Meter |
| 33 | G10176901 | 1 | Cable Tie, 1/2" x 12" |
| 34 | G10829101 | 3 | Hose Clamp |
| 35 | GA21456 | 1 | Pressure Gauge |
| 36 | G5000-08-04 | 1 | Coupling, 1/2"-14 FNPT x 1/4"-18 FNPT |
| 37 | G10741301 | 1 | Fertilizer Rail Pressure Gauge Mount |
| 38 | G10609002 | 1 | Urethane Tube, 3/8" O.D., x 0.065" x 45" |
| 39 | G10771901 | 1 | See "Orifice In-Line Housing" on page P204 |
| 40 | G10618301 | 1 | Flanged Plug, 1" w/ 1/4" Female NPT Port |
| 41 | G11583 | 1 | 1" Flanged Manifold Tee |
| 42 | GD29625 | 1 | Connector, 1/4" NPT x 3/8" |
| 43 | G10817701 | 2 | Sweep Flange, 90° |

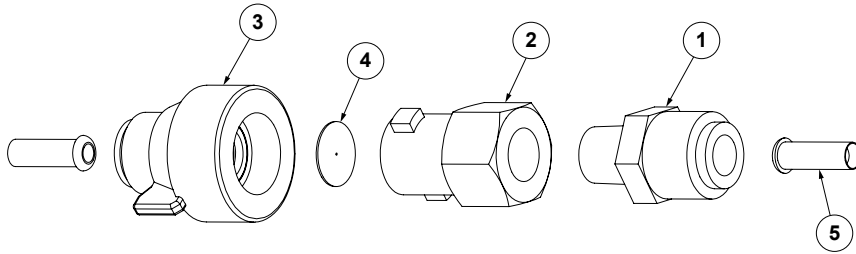


| ITEM | PART NO. | QTY. | DESCRIPTION |
|------|-----------|------|---|
| 1 | G10974501 | 1 | Cap Assembly, 1" |
| 2 | G10975501 | 1 | O-Ring, No. 228 (1" Manifold Strainer) |
| 3 | G10974401 | 1 | 80 Mesh Screen (1" Manifold Strainer) |
| 4 | G10974601 | 1 | Manifold Body |
| A | G10398701 | 1 | 1" Manifold Y Strainer W/80 Mesh Screen (Items 1-4) |

Orifice In-Line Housing

Model 3505

M0311-02



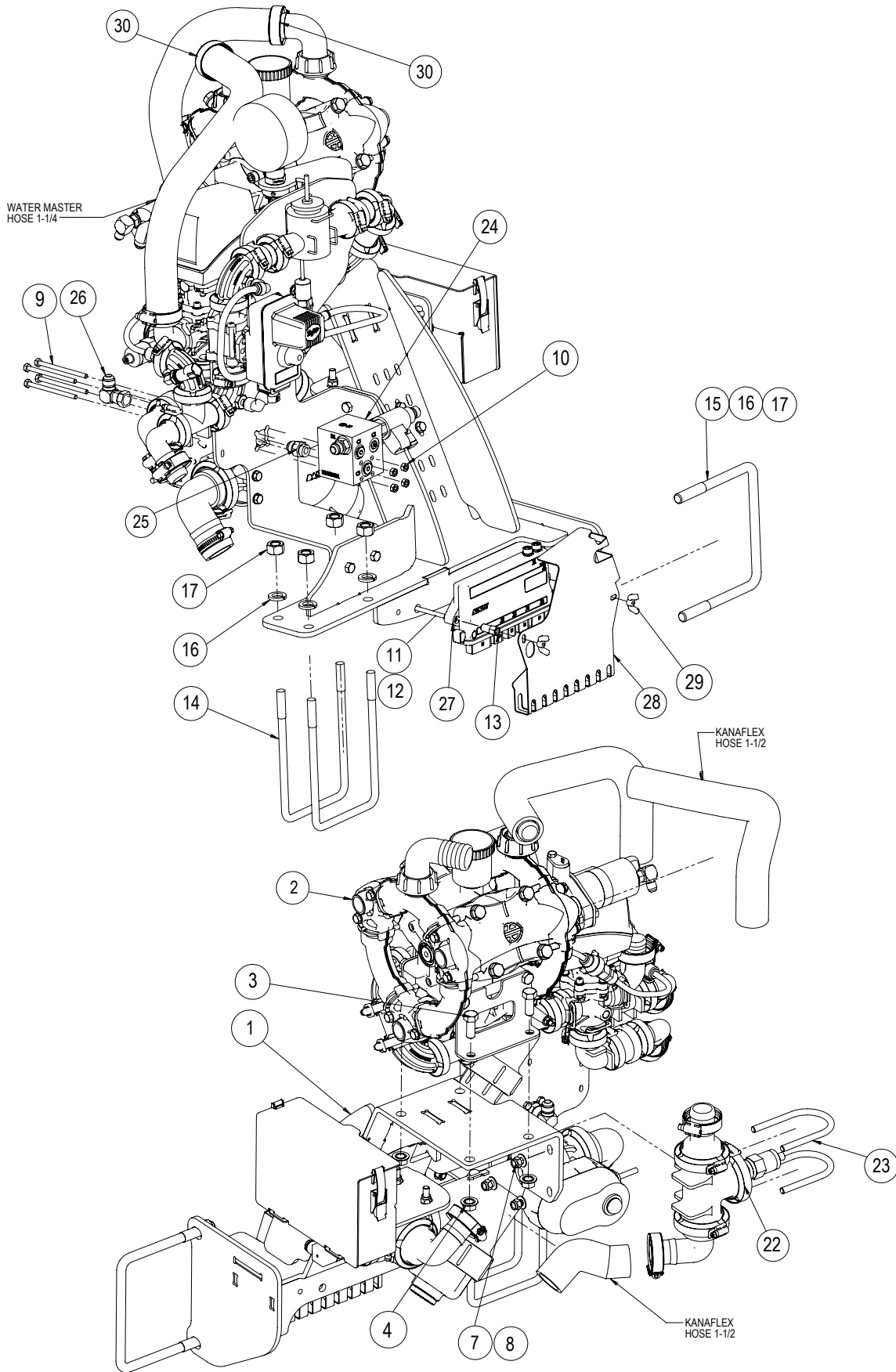
| ITEM | PART NO. | QTY. (per Assy) | DESCRIPTION |
|------|-----------|--------------------|----------------------------|
| 1 | GD29625 | 1 | Connector, 1/4" NPT x 3/8" |
| 2 | G10771701 | 1 | Orifice Adapter Cushion |
| 3 | GD21158 | 1 | Cap |
| 4 | G10771801 | 1 | Orifice (.020) |
| 5 | GD29709 | 2 | Support Tube |

Liquid Fertilizer Pump Assembly

M0311-02

Model 3505

(107136)

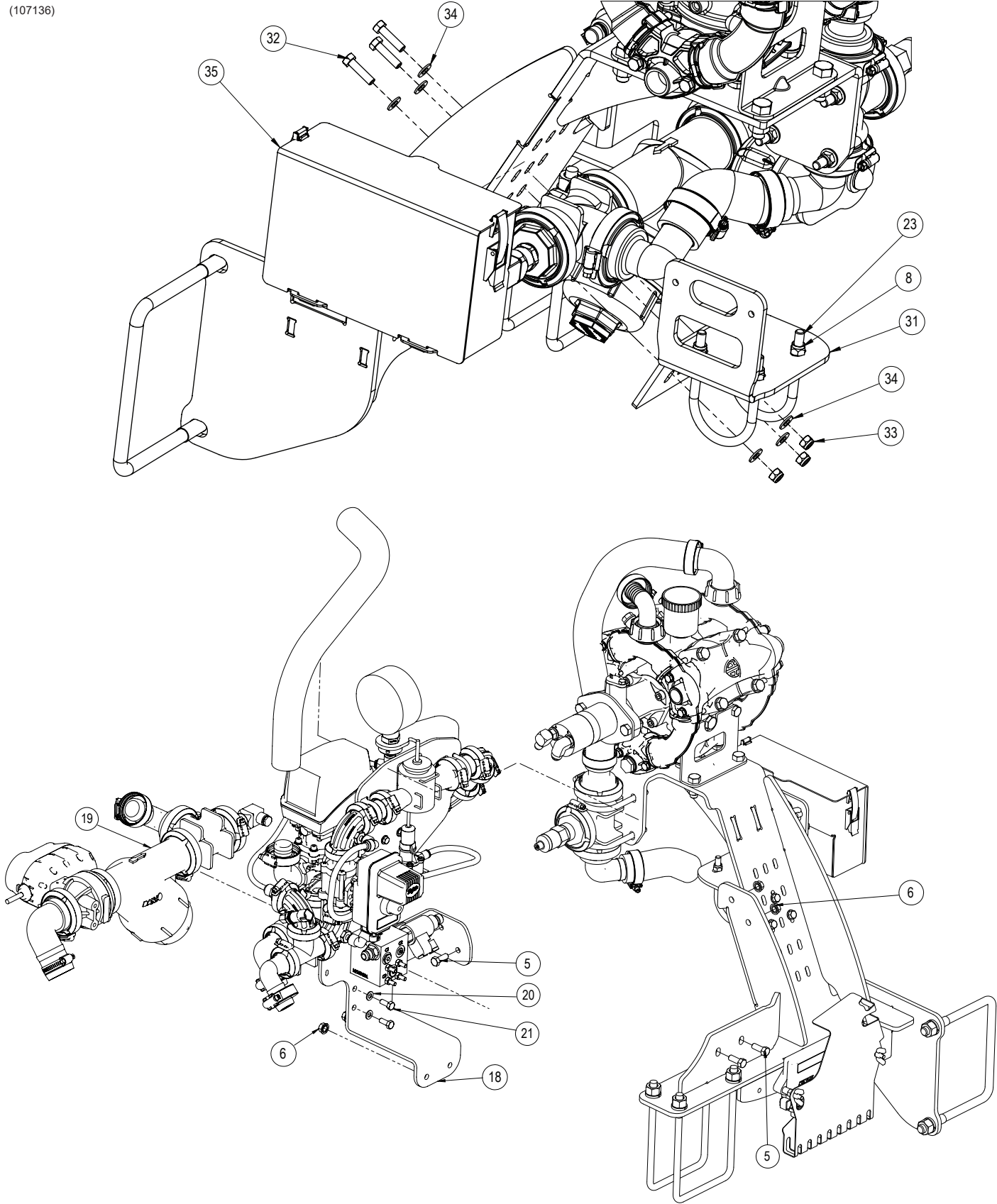


Liquid Fertilizer Pump Assembly

Model 3505

M0311-02

(107136)



Liquid Fertilizer Pump Assembly

M0311-02

Model 3505

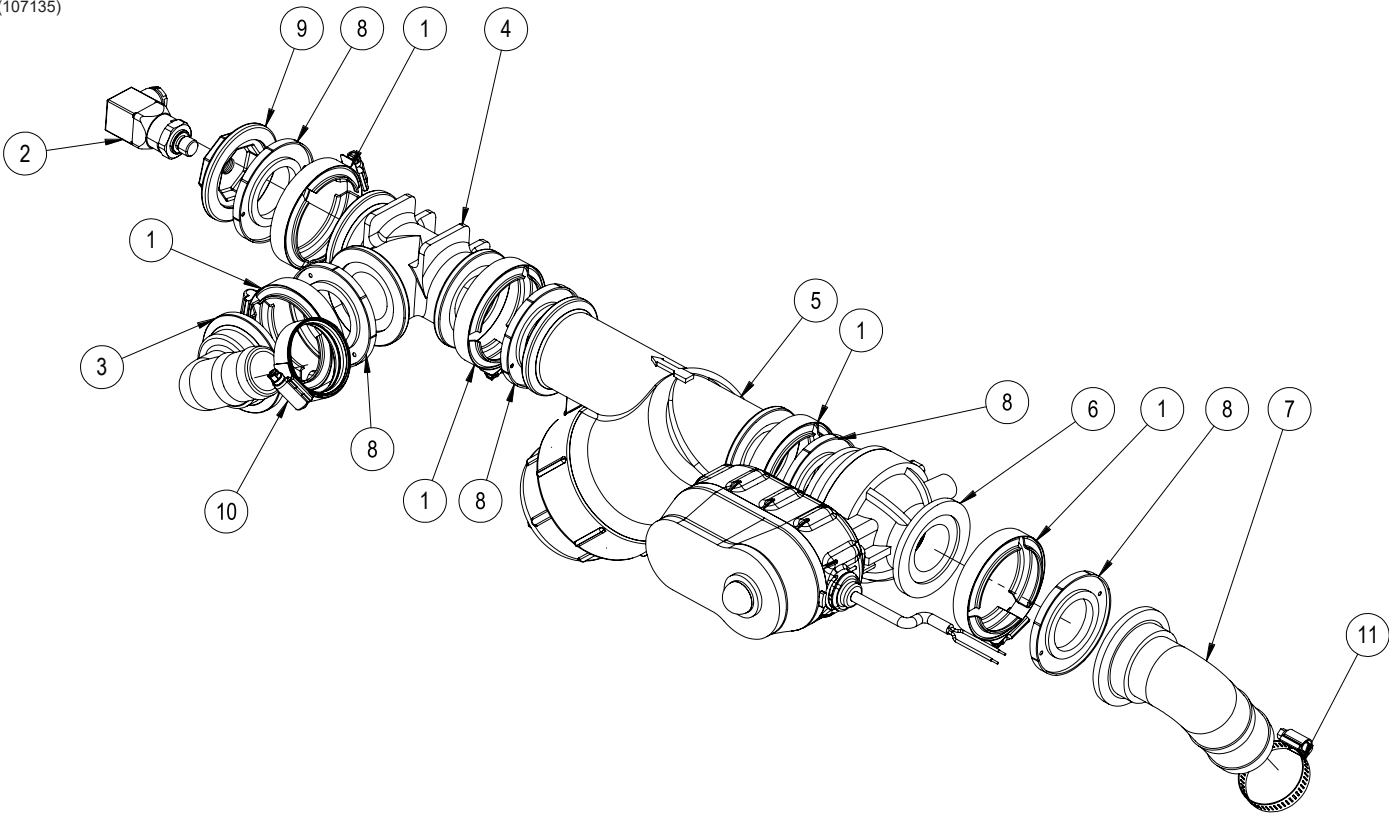
| ITEM | PART NO. | QTY. | DESCRIPTION |
|------|-----------|------|--|
| 1 | G10674701 | 1 | Pump Frame |
| 2 | G10602501 | 1 | BV Liquid Fertilizer Pump and Motor |
| 3 | G10037 | 4 | Hex Head Cap Screw, ½"-13 x 1¼" |
| 4 | G10071 | 4 | Serrated Flange Nut, ½"-13 |
| 5 | G10001 | 4 | Hex Head Cap Screw, ⅝"-16 x 1" |
| 6 | G11091 | 4 | Serrated Flange Nut, ⅜"-16 |
| 7 | G11387 | 4 | Flat Washer, ⅜" SAE |
| 8 | G10108 | 8 | Lock Nut, ⅜"-16 |
| 9 | G11135 | 4 | Hex Head Cap Screw, ¼"-20 X 3 ¾" |
| 10 | G10103 | 4 | Hex Nut, ¼"-20 |
| 11 | G11929 | 2 | Hex Head Cap Screw, 1/4"-20 x 2.75", Grade 5 |
| 12 | G11385 | 2 | Flat Washer, ¼" SAE |
| 13 | GD35609 | 2 | Hex Standoff |
| 14 | GD8306 | 2 | U-Bolt, 7" x 5" x ½"-13 |
| 15 | GD1113 | 1 | U-Bolt, 5" x 7" x 5/8"-11 |
| 16 | G10230 | 6 | Lock Washer, ⅝" |
| 17 | G10104 | 6 | Hex Nut, ⅝"-11 |
| 18 | G10712701 | 1 | Liquid Fertilizer Filter Unit |
| 19 | G10713501 | 1 | Electrical Ball Valve with Filter |
| 20 | G12081 | 2 | Flat Washer, M8 |
| 21 | G12003-20 | 2 | Hex Head Cap Screw, M8-1,20 |
| 22 | G10713401 | 1 | Fluid Level Sensor |
| 23 | G10510201 | 4 | U-Bolt, 2-1/2" x 4-5/16" |
| 24 | G10186001 | 1 | Fan Control Manifold |
| 25 | G6400-08 | 1 | Connector W/O-Ring, 3/4"-16 Male JIC To O-Ring |
| 26 | G6500-08 | 1 | Swivel Elbow, 90°, 3/4"-16 Male JIC To Female |
| 27 | GA25949 | 1 | IPN Module Assembly |
| 28 | G10146001 | 1 | IPN Wire Shield |
| 29 | G10531 | 2 | Wing Nut W/Nylon Insert, ¼"-20 |
| 30 | G10829101 | 2 | Hose Clamp, 1-5/8" - 2-1/8" |
| 31 | G10987601 | 1 | Holder Plate |
| 32 | G10171 | 3 | Hex Head Cap Screw, 5/16"-18 x 1 1/4" |
| 33 | G10109 | 3 | Lock Nut, 5/16"-18, Grade 8 |
| 34 | G10379 | 6 | Flat Washer, 5/16" |
| 35 | G10987302 | 1 | Orifice Storage Box |

Electrical Ball Valve with Filter

Model 3505

M0311-02

(107135)



| ITEM | PART NO. | QTY. | DESCRIPTION |
|------|-----------|------|---|
| 1 | G11468 | 5 | Flange Clamp SS 75 Series |
| 2 | G10474501 | 1 | Hydraulic Pressure Transmitter Sensor |
| 3 | G10437901 | 1 | Elbow, 2" Flange x 1-1/2" Barb, 90° |
| 4 | G11508 | 1 | Tee, 2" Port Flange |
| 5 | G10398301 | 1 | Manifold "Y" Strainer, 2" w/ 30 Mesh Screen |
| 6 | G10406601 | 1 | Electrical Ball Valve |
| 7 | G11457 | 1 | Elbow, 2" Flange x 2" Hose Barb, 90° |
| 8 | G10406701 | 5 | Gasket, 2" Skirted Flange |
| 9 | G10474701 | 1 | Plug, 2" Flanged w/ 1/4" FPT Port |
| 10 | G10829101 | 1 | Hose Clamp |
| 11 | G10676 | 1 | Hose Clamp, No. 36, Stainless Steel |

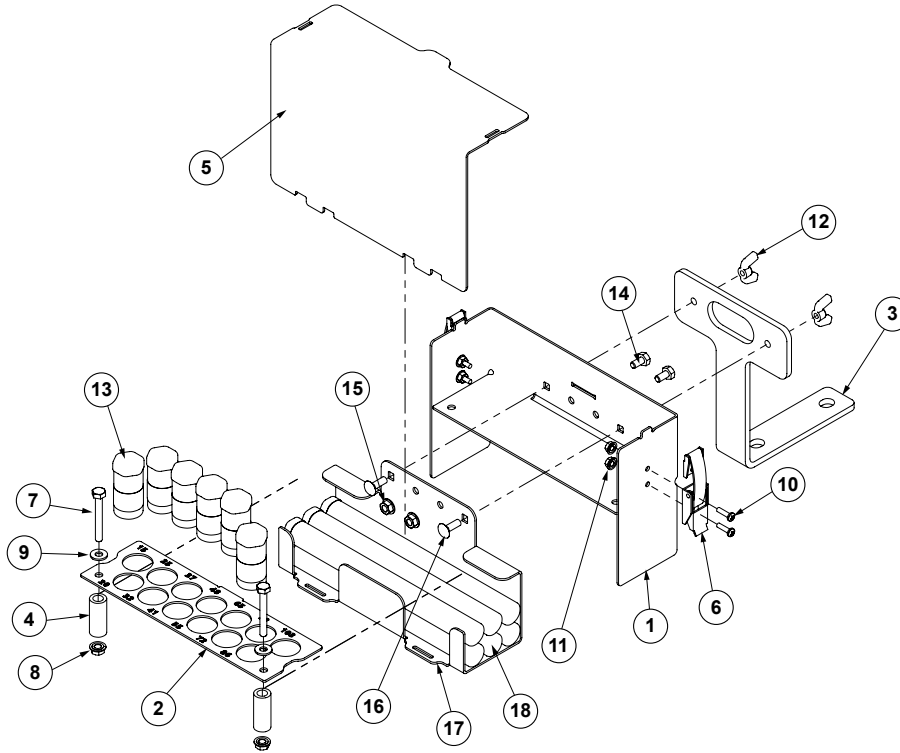
This page left blank intentionally.

Orifice Storage Box

Model 3505

M0311-02

(109873)



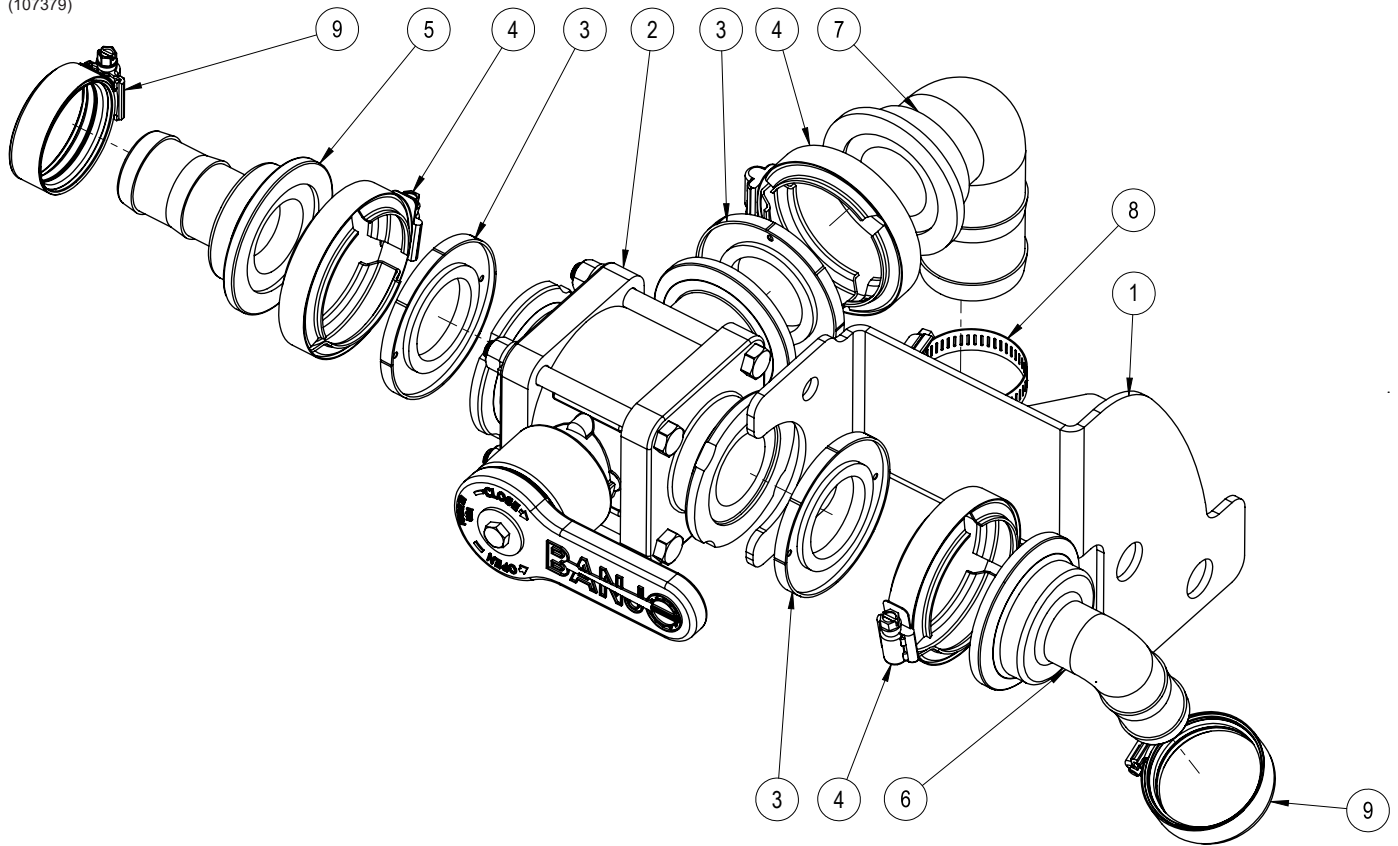
| ITEM | PART NO. | QTY. | DESCRIPTION |
|------|-----------|------|---|
| 1 | G10986901 | 1 | Orifice Storage Box Body |
| 2 | G10987001 | 1 | Orifice Storage Holed Plate |
| 3 | G10986801 | 1 | Orifice Storage Box Holder |
| 4 | GD23773 | 2 | Spacer |
| 5 | G10986701 | 1 | Orifice Storage Box Cover Plate |
| 6 | GA12641 | 2 | Cover Latch |
| 7 | G10638 | 2 | Bolt 1/4-20X2 |
| 8 | G10621 | 2 | Serrated Flange Nut, 1/4"-20 |
| 9 | G11385 | 2 | Flat Washer, 1/4" SAE |
| 10 | G11065 | 4 | Phillips Pan Head Machine Screw, No. 8-32 x 5/8", Stainless Steel |
| 11 | G11241 | 4 | Serrated Flange Nut |
| 12 | G10531 | 2 | Wing Nut W/Nylon Insert, 1/4"-20 |
| 13 | G10820001 | - | Orifice Twist Pack w/ Decal, 0.015 |
| | G10820002 | - | Orifice Twist Pack w/ Decal, 0.020 |
| | G10820003 | - | Orifice Twist Pack w/ Decal, 0.025 |
| | G10820004 | - | Orifice Twist Pack w/ Decal, 0.028 |
| | G10820005 | - | Orifice Twist Pack w/ Decal, 0.032 |
| | G10820006 | - | Orifice Twist Pack w/ Decal, 0.037 |
| | G10820007 | - | Orifice Twist Pack w/ Decal, 0.041 |
| | G10820008 | - | Orifice Twist Pack w/ Decal, 0.048 |
| | G10820009 | - | Orifice Twist Pack w/ Decal, 0.055 |
| | G10820010 | - | Orifice Twist Pack w/ Decal, 0.065 |
| | G10820011 | - | Orifice Twist Pack w/ Decal, 0.072 |
| | G10820012 | - | Orifice Twist Pack w/ Decal, 0.078 |
| | G10820013 | - | Orifice Twist Pack w/ Decal, 0.086 |
| 14 | G10022 | 2 | Hex Head Cap Screw, 1/4"-20 x 1/2" |
| 15 | G10621 | 4 | Serrated Flange Nut, 1/4"-20 |
| 16 | G10310 | 2 | Carriage Bolt, 1/4"-20 x 3/4", Grade 2 |
| 17 | G10987201 | 1 | Plate For Filter Storage |
| 18 | G10991001 | 6 | Twist Pack, 16mm |
| 19 | GD27290 | - | Strainer Nozzle, 50 Mesh |

3-Way Valve Unit Assembly (Blue Drive Liquid Fertilizer)

M0311-02

Model 3505

(107379)



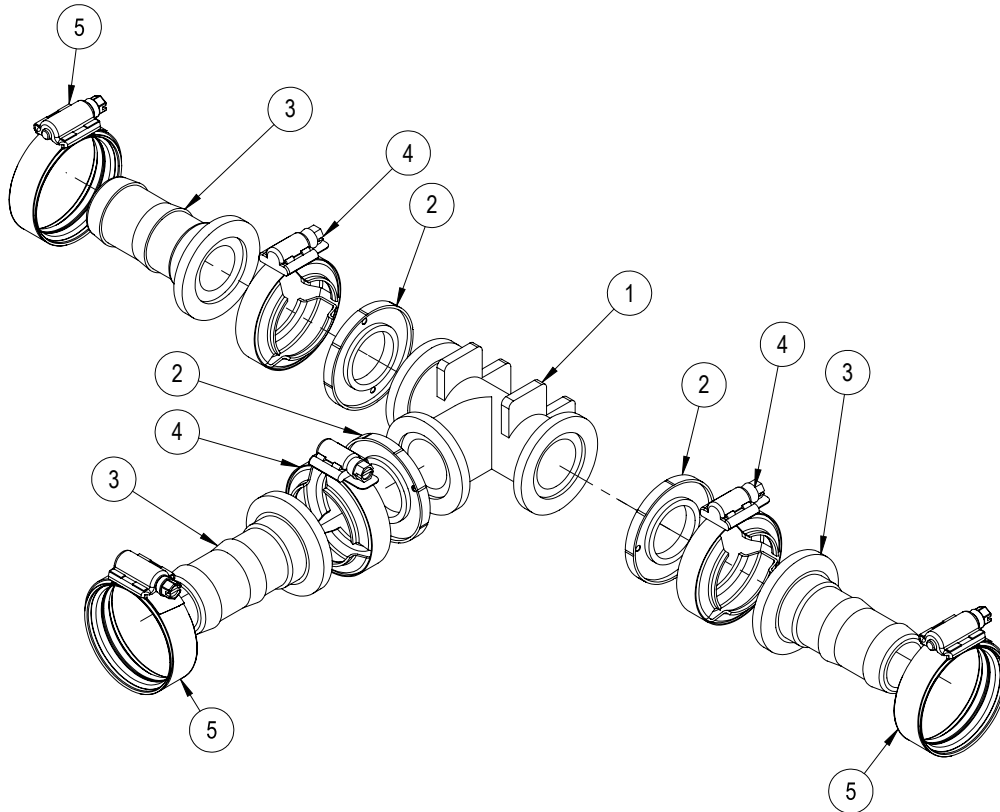
| ITEM | PART NO. | QTY. | DESCRIPTION |
|------|-----------|------|---------------------------------------|
| 1 | G10681501 | 1 | Valve Holder |
| 2 | G10612801 | 1 | 2" Flanged 3-Way Ball Valve Assy |
| 3 | G10406701 | 3 | Gasket 2" Skirted Flanged |
| 4 | G11468 | 3 | Flange Clamp SS 75 Series |
| 5 | G10464101 | 1 | Adapter, 2" Flange x 1-1/2" Hose Barb |
| 6 | G10473901 | 1 | Adapter, 2" Flange x 1-1/4" Hose Barb |
| 7 | G11457 | 1 | Elbow, 2" Flange x 2" Hose Barb, 90° |
| 8 | G10676 | 1 | Hose Clamp, No. 36, Stainless Steel |
| 9 | G10829101 | 2 | Hose Clamp, 1-5/8" - 2-1/8" |

Front and Rear Tee Assembly (Blue Drive Liquid Fertilizer)

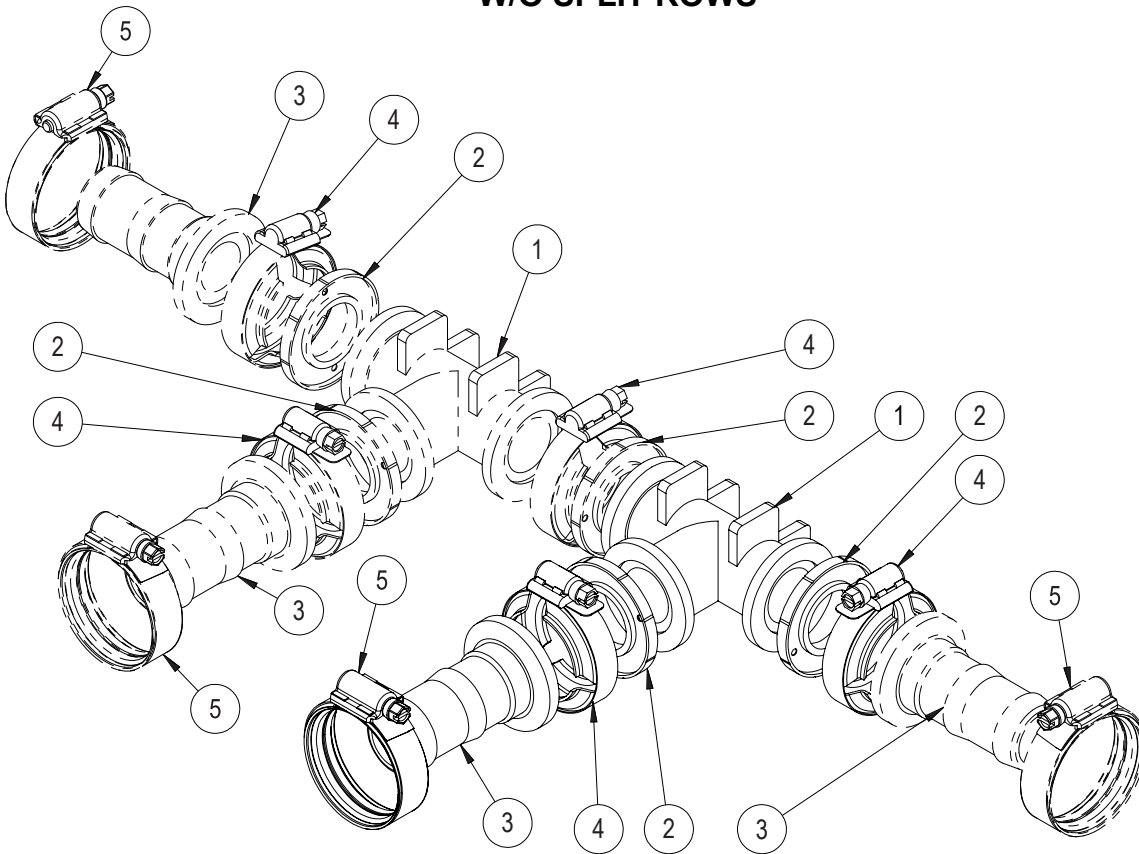
Model 3505

M0311-02

(106959)



W/O SPLIT ROWS



WITH SPLIT ROWS

Front and Rear Tee Assembly (Blue Drive Liquid Fertilizer)

M0311-02

Model 3505

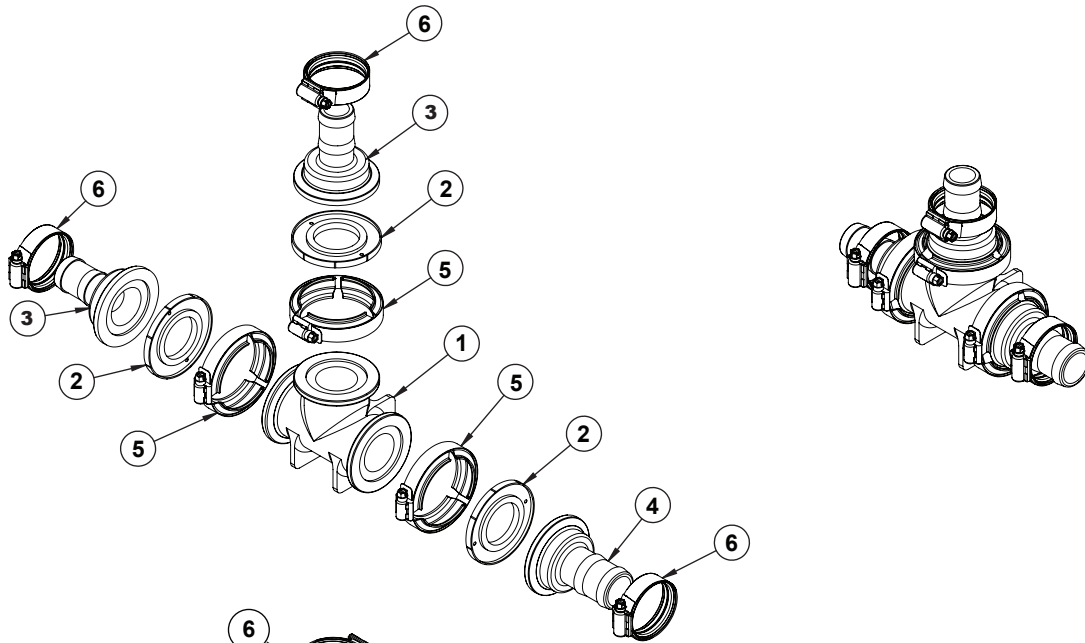
| ITEM | PART NO. | QTY. (per Assy) | DESCRIPTION |
|------|-----------|--------------------|-----------------------------------|
| 1 | G11583 | - | 1" Flanged Manifold Tee |
| 2 | G10406801 | - | Gasket, 1" Skirted Flange |
| 3 | G11458 | - | Adapter 1" Flange x 1¼" Hose Barb |
| 4 | G11467 | - | Flange Clamp SS 50 Series |
| 5 | G10829101 | - | Hose Clamp, No. 24 |

Liquid Fertilizer Assembly Tees (Blue Drive, Bulk Fill)

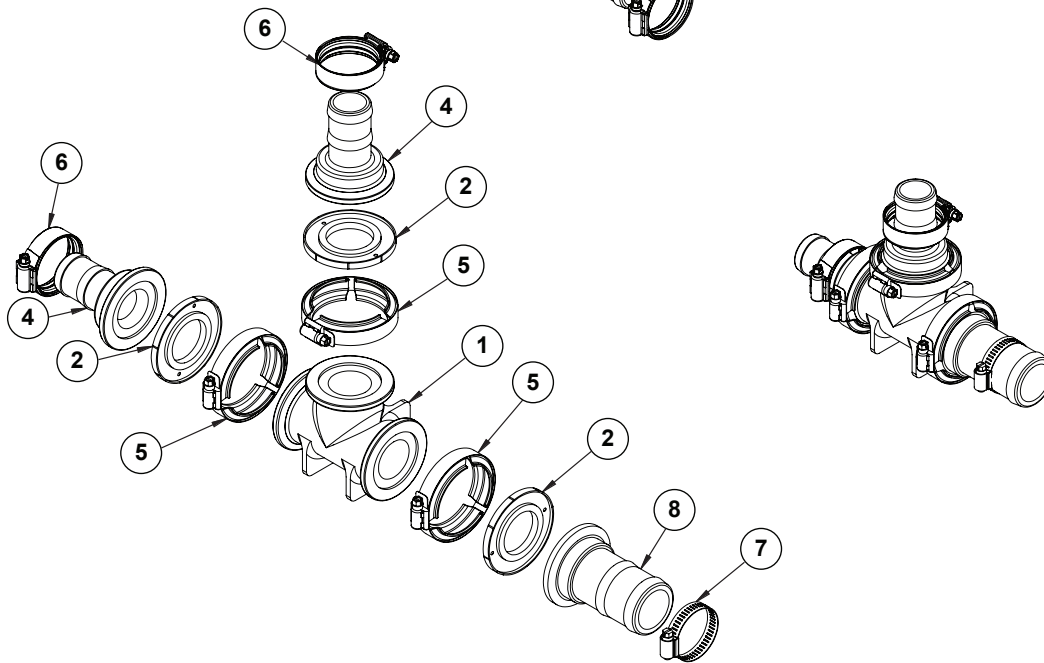
Model 3505

M0311-02

(107028)



(107029)



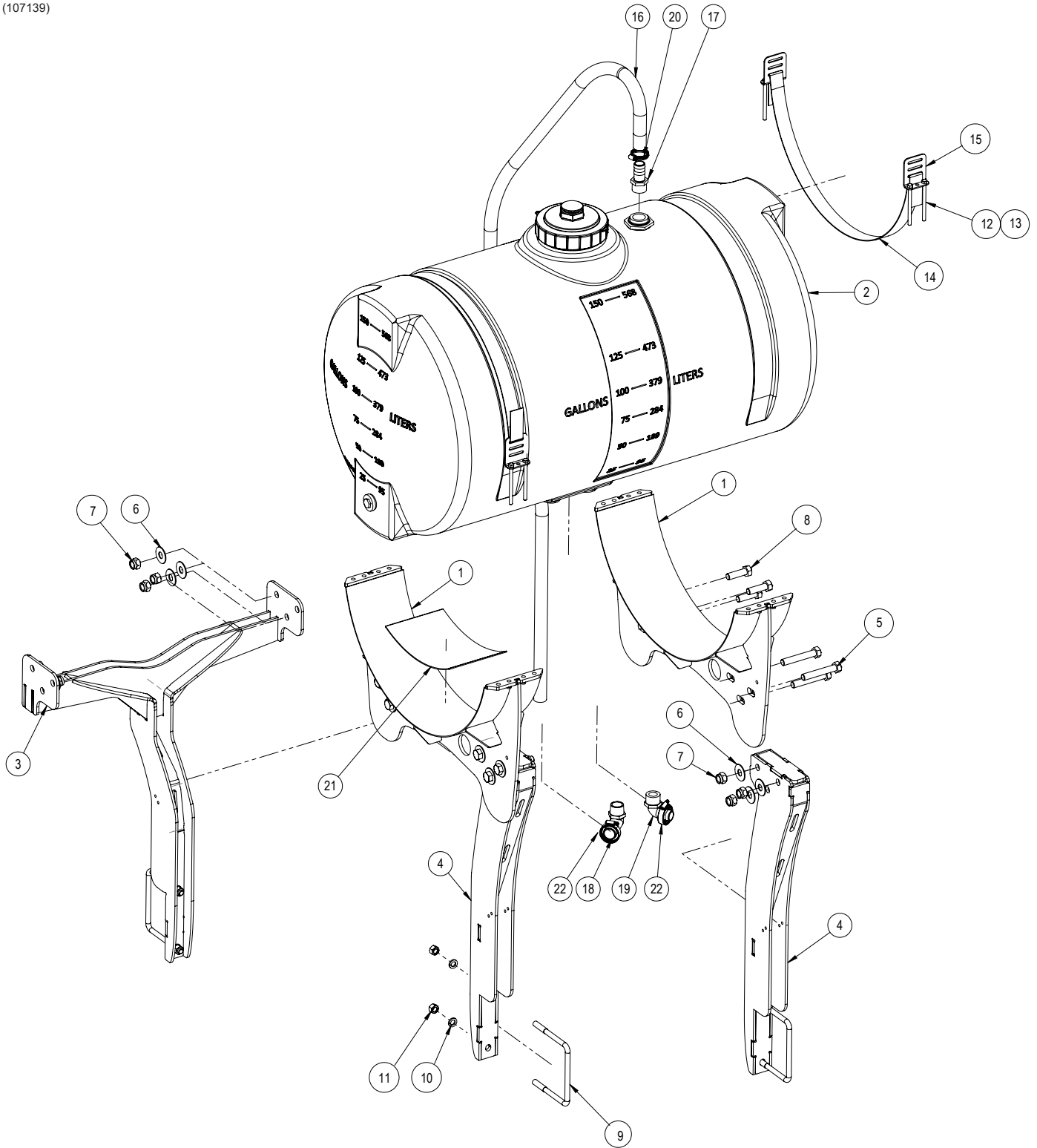
| ITEM | PART NO. | QTY. (per Assy) | DESCRIPTION |
|------|-----------|--------------------|---------------------------------------|
| 1 | G11508 | - | Tee, 2" Port Flange |
| 2 | G10406701 | - | Gasket, 2" Skirted Flange |
| 3 | G11494 | - | Adapter, 2" Flange x 1 1/4" Hose Barb |
| 4 | G10464101 | - | Adapter, 2" Flange x 1 1/2" Hose Barb |
| 5 | G11468 | - | Flange Clamp SS 75 Series |
| 6 | G10829101 | - | Hose Clamp, 1-5/8" - 2-1/8" |
| 7 | G10676 | - | Hose Clamp, No. 36, Stainless Steel |
| 8 | G11497 | - | Adapter, 2" Flange x 2" Hose Barb |

Liquid Fertilizer 150 Gal. Tank Assembly (Blue Drive)

M0311-02

Model 3505

(107139)



Liquid Fertilizer 150 Gal. Tank Assembly (Blue Drive)

Model 3505

M0311-02

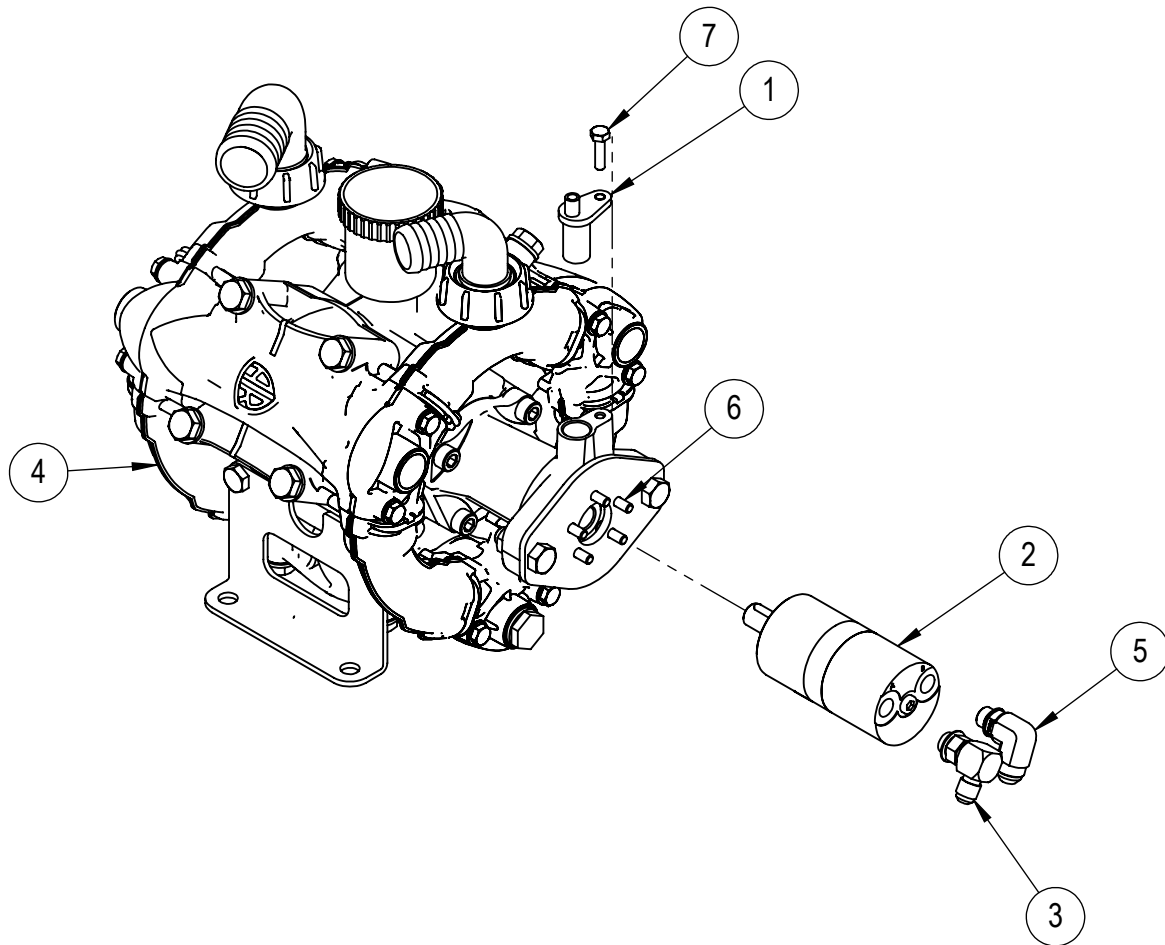
| ITEM | PART NO. | QTY. | DESCRIPTION |
|------|-----------|------|---------------------------------------|
| 1 | G10715801 | 2 | Tank Stand |
| 2 | G11009001 | 1 | 150 Gal. Fertilizer Tank |
| 3 | G10673701 | 1 | Rear Tank Support |
| 4 | G10673201 | 2 | Liquid Fertilizer Tank Support |
| 5 | G10029 | 6 | Hex Head Cap Screw, 3/4"-10 x 4 1/2" |
| 6 | G10218 | 24 | Washer, 3/4" USS |
| 7 | G10112 | 12 | Lock Nut, 3/4"-10 |
| 8 | G10027 | 6 | Hex Head Cap Screw, 3/4"-10 x 2 1/2" |
| 9 | GD1113 | 3 | U-Bolt, 5" x 7" x 5/8"-11 |
| 10 | G10230 | 6 | Lock Washer, 5/8" |
| 11 | G10104 | 6 | Hex Nut, 5/8"-11 |
| 12 | G10485 | 8 | Hex Head Cap Screw, 5/8"-16 x 5" |
| 13 | G10901 | 8 | Lock Nut, 3/8"-16 |
| 14 | GD11124 | 2 | Strap, 84" |
| 15 | GD11123 | 4 | Anchor |
| 16 | G4602-03 | 1 | Black Helix Hose, 1 1/4" x 100' |
| 17 | G10626 | 1 | Adapter, 1 1/4" NPT To Barb |
| 18 | G10444801 | 1 | Elbow, 90°, 1 1/4" x 1-1/2" Hose Barb |
| 19 | G10629 | 1 | Elbow, 90°, 1 1/4" NPT To Barb |
| 20 | G10674 | 1 | Hose Clamp, No. 24 |
| 21 | GD1862 | 1 | Tank Pad, 8" x 14' Roll |
| 22 | G10829101 | 2 | Hose Clamp, 1-5/8" - 2-1/8" |

BV Liquid Pump and Motor

M0311-02

Model 3505

(106025)



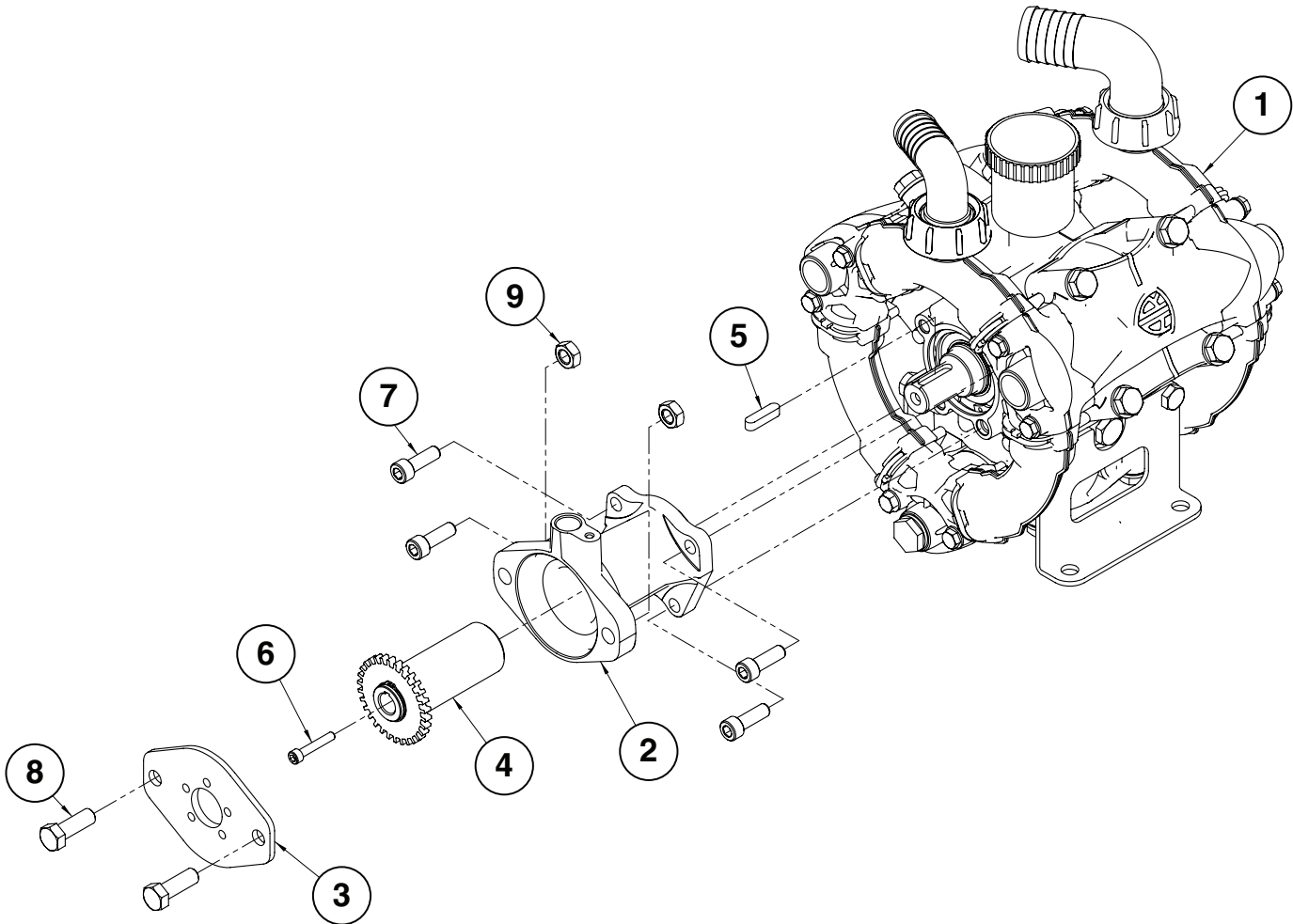
| ITEM | PART NO. | QTY. | DESCRIPTION |
|------|-------------|------|--|
| 1 | G10991401 | 1 | Speed Sensor Assembly |
| 2 | G10556101 | 1 | Eaton Hydraulic Motor |
| 3 | G6801-06 | 1 | Elbow W/O-Ring, 90°, 9/16"-18 Male JIC To O-Ring |
| 4 | G10827701 | 1 | Diaphragm Pump Assembly |
| 5 | G6801-08-06 | 1 | Elbow W/O-Ring, 90°, 3/4"-16 Male JIC To 9/16"-18 O-Ring |
| 6 | G10532101 | 5 | Hex Socket Head Cap Screw, 1/4"-28 x 3/4" |
| 7 | G10064 | 1 | Hex Head Cap Screw, 1/4"-20 x 1" |

Diaphragm Pump, AR120

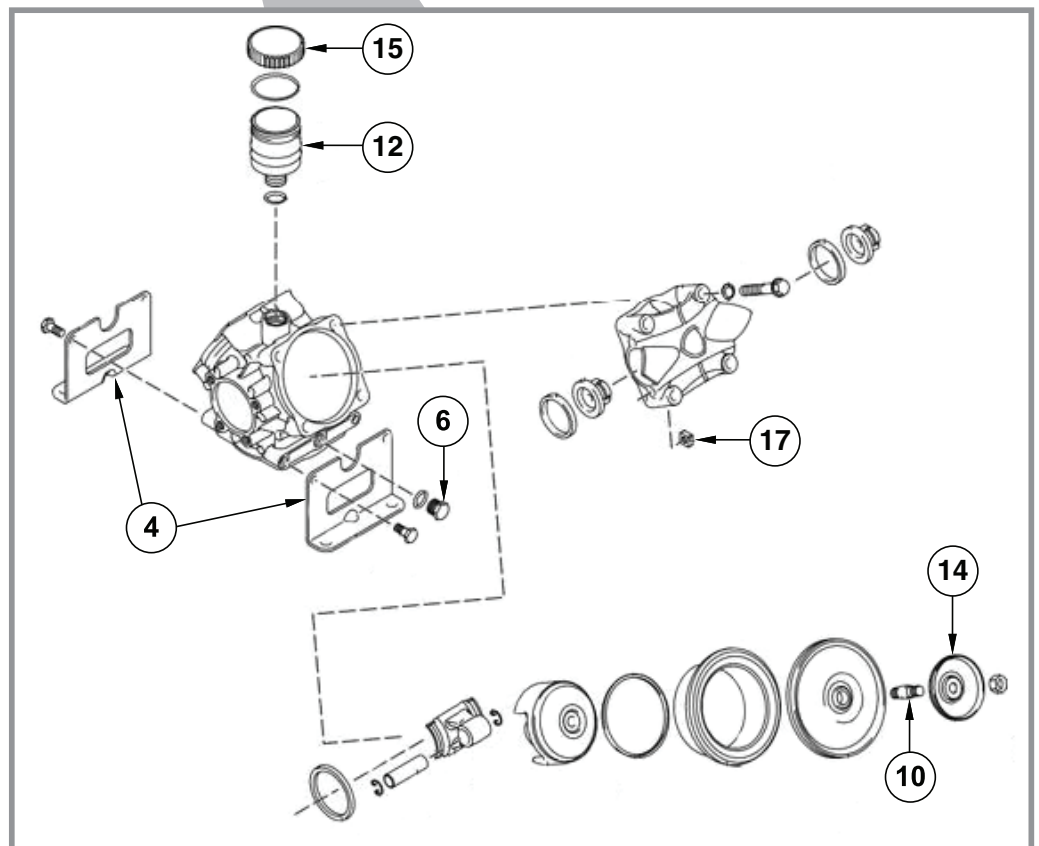
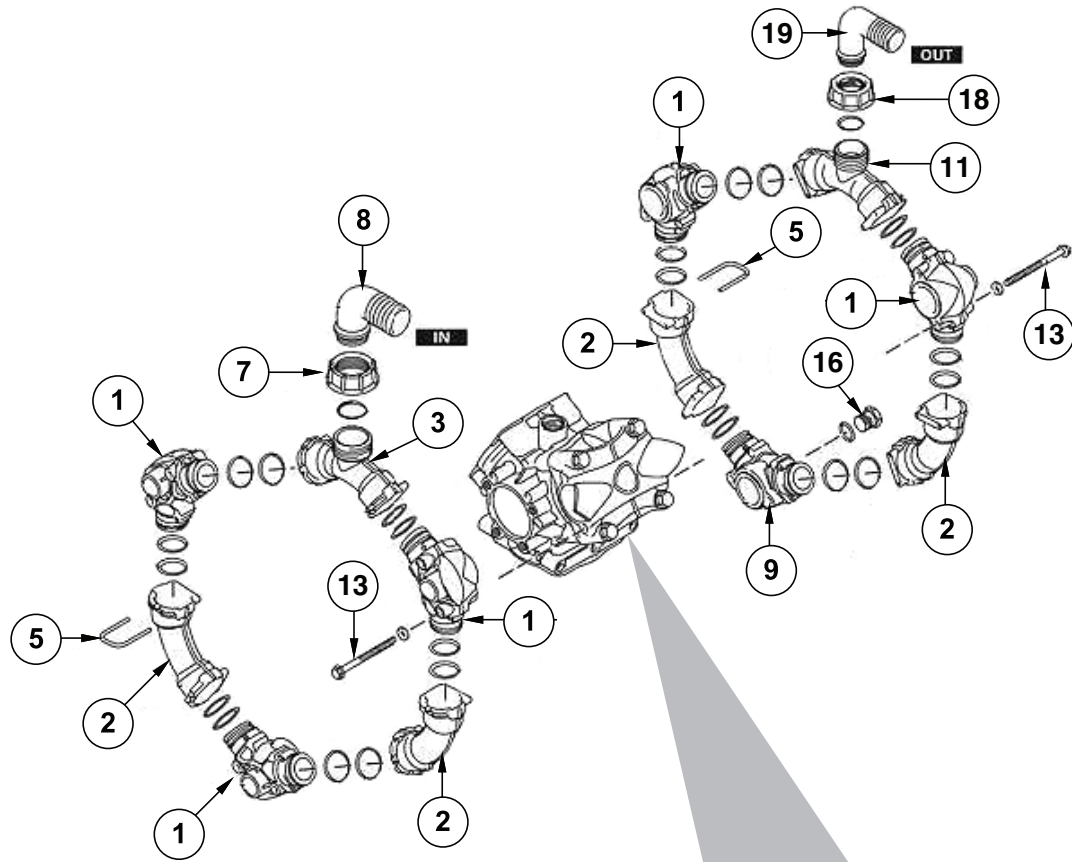
Model 3505

M0311-02

(108277)



| ITEM | PART NO. | QTY. | DESCRIPTION |
|------|-----------|------|--|
| 1 | G10399301 | 1 | Diaphragm Pump |
| 2 | G10611001 | 1 | Hydraulic Motor Flange |
| 3 | G10814401 | 1 | Hydraulic Motor Mount |
| 4 | G10556201 | 1 | Coupler w/ Hall Effect Wheel |
| 5 | G10514101 | 1 | Oval Shaft Coupler Key |
| 6 | G12222-35 | 1 | Hex Socket Head Cap Screw, M6-1.0 x 35MM |
| 7 | G10631801 | 4 | Hex Socket Head Cap Screw, M10-1.50 x 30MM |
| 8 | G12002-35 | 2 | Hex Head Cap Screw, M12-1.75 x 35 |
| 9 | G12068 | 2 | Hex Nylon Locknut, M12-1.75 |



Diaphragm Pump Assembly

Model 3505

M0311-02

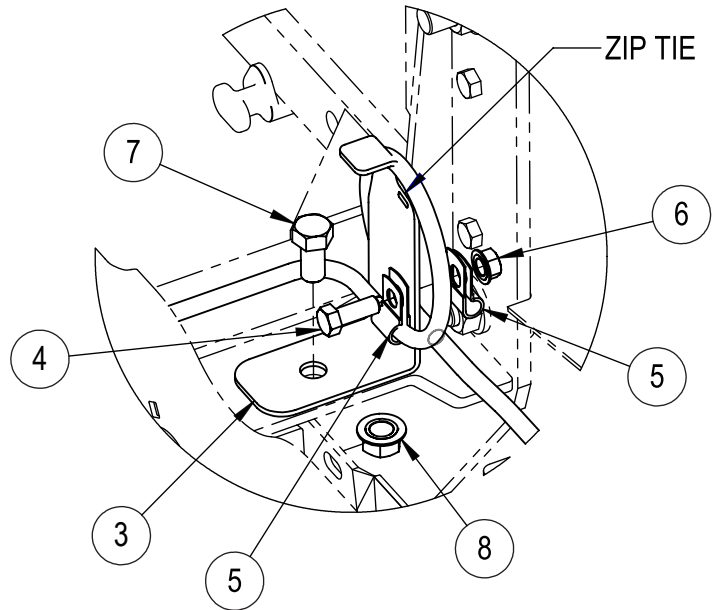
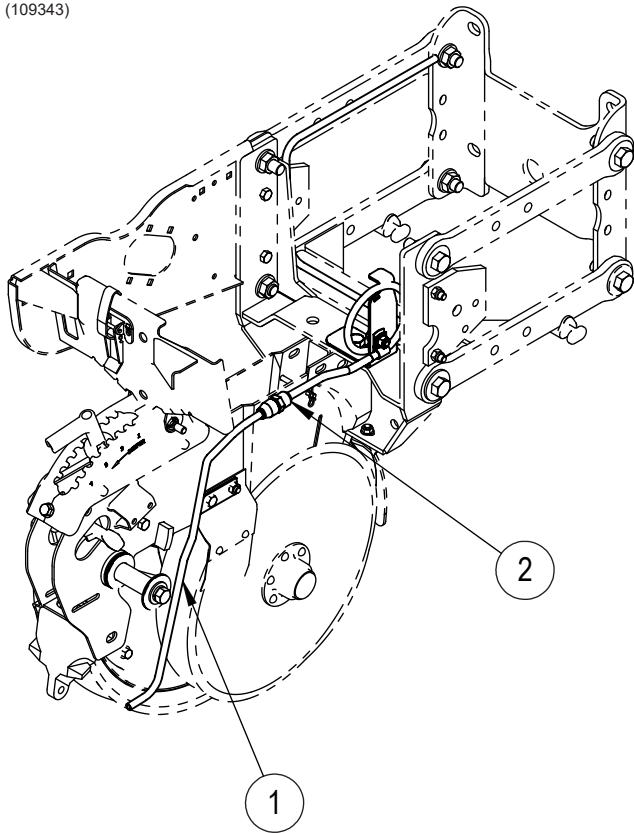
| ITEM | PART NO. | QTY. | DESCRIPTION |
|------|-----------|------|-----------------------------------|
| 1 | G10976301 | 5 | Manifold |
| 2 | G10976401 | 4 | Manifold |
| 3 | G10976501 | 1 | Manifold |
| 4 | G10975601 | 2 | Foot Mount |
| 5 | G10976601 | 12 | Fork Clip |
| 6 | G10975701 | 1 | Oil Drain Plug |
| 7 | G10976701 | 1 | Ring Nut |
| 8 | G10976801 | 1 | Hose Barb, 11/2" |
| 9 | G10976901 | 1 | Manifold |
| 10 | G10976101 | 3 | Hub Pin |
| 11 | G10977001 | 1 | Manifold |
| 12 | G10975801 | 1 | Tank Sight Glass |
| 13 | G10977101 | 12 | Manifold Mount Bolt |
| 14 | G10976201 | 3 | Plate |
| 15 | G10975901 | 1 | Sight Glass Cap |
| 16 | G10977201 | 1 | Drain Plug, Fertilizer |
| 17 | G10976001 | 12 | Square Nut, M8 |
| 18 | G10977301 | 1 | Ring Nut |
| 19 | G10977401 | 1 | Hose Barb, 11/4" |
| A | G10399301 | 1 | Diaphragm Pump Assembly |
| B | G10513001 | 1 | AR Pump Winterizer, No. 64511 |
| C | G10513101 | 2 | AR Pump Oil, No. 6453D |
| D | G10434301 | 1 | AR120 Pump Service Kit |
| E | G10764001 | 1 | AR120 Pump LFP O-Ring Service Kit |
| F | G10764101 | 1 | AR120 Pump LFP Valve Service Kit |

Liquid Fertilizer Drop Tube Assembly

M0311-02

Model 3505

(109343)



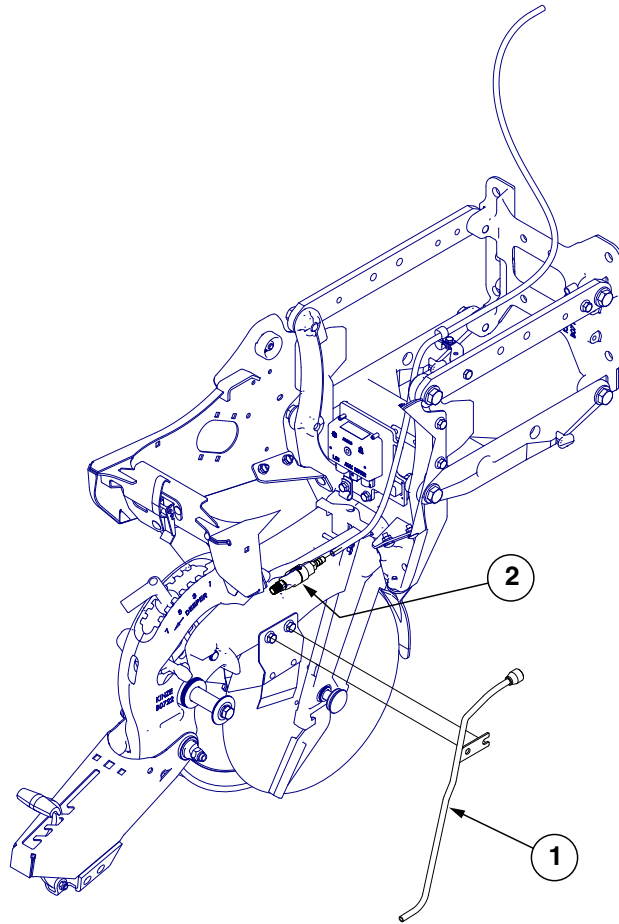
| ITEM | PART NO. | QTY. | DESCRIPTION |
|------|-----------|------|----------------------------------|
| 1 | GA18822 | 1 | Liquid Fertilizer Tube |
| 2 | GD29625 | 1 | Connector, 1/4" NPT x 3/8" |
| 3 | G10948201 | 1 | Hose Loop Bracket |
| 4 | G10001 | 1 | Hex Head Cap Screw, 3/8"-16 x 1 |
| 5 | GD6291 | 2 | Insulated Clamp, 3/8" |
| 6 | G10622 | 1 | Serrated Flange Nut, 3/8"-16 |
| 7 | G10014 | 1 | Hex Head Cap Screw, 1/2"-13 x 1" |
| 8 | G10071 | 1 | Serrated Flange Nut, 1/2"-13 |

Liquid Fertilizer Tube In Furrow

Model 3505

M0311-02

(A18821a)



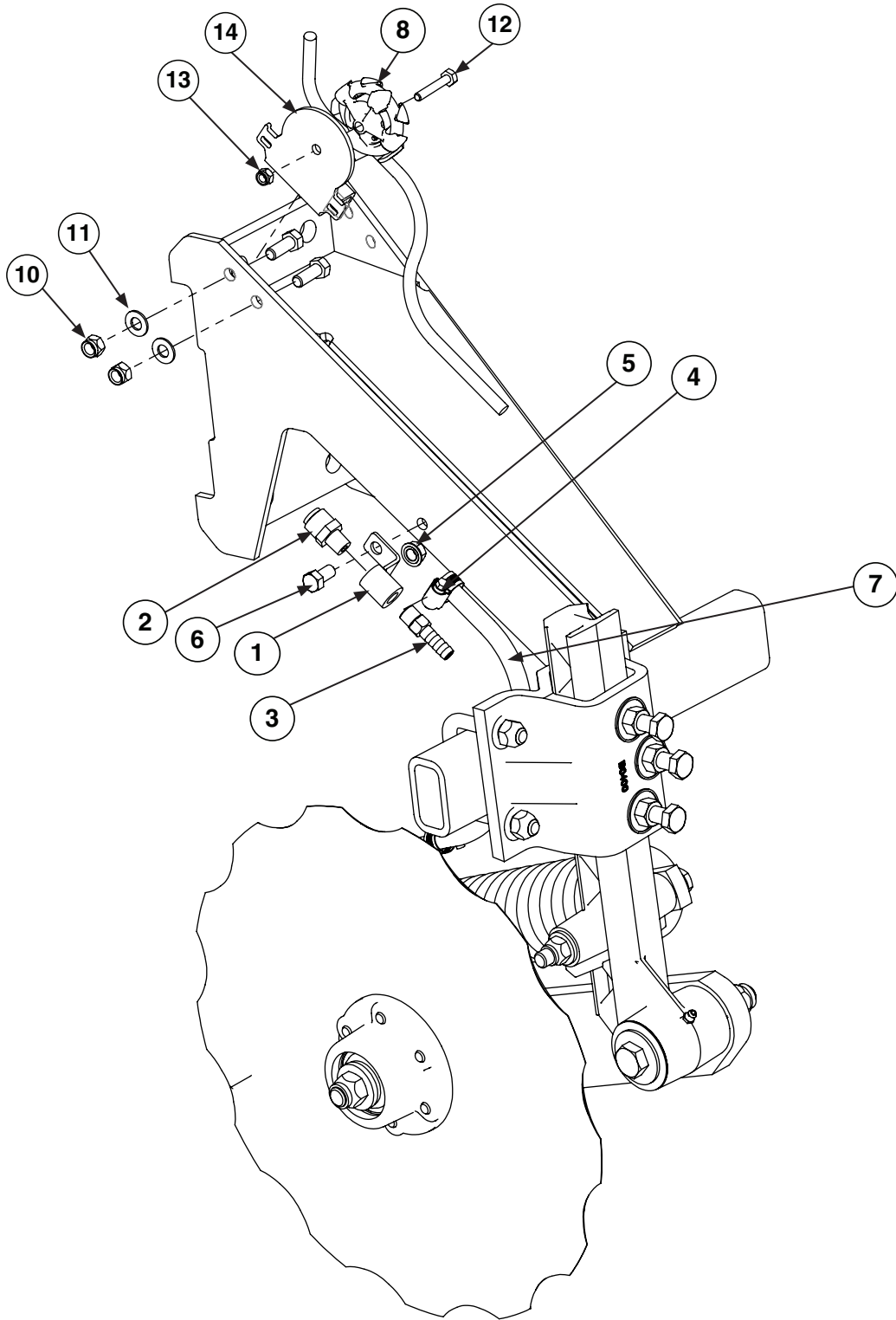
| ITEM | PART NO. | QTY. | DESCRIPTION |
|------|----------|------|------------------------|
| 1 | GA18822 | - | Liquid Fertilizer Tube |
| 2 | GA20583 | - | Check Valve Assembly |

Hose Adapter Assembly

M0311-02

Model 3505

(107138)



Hose Adapter Assembly

Model 3505

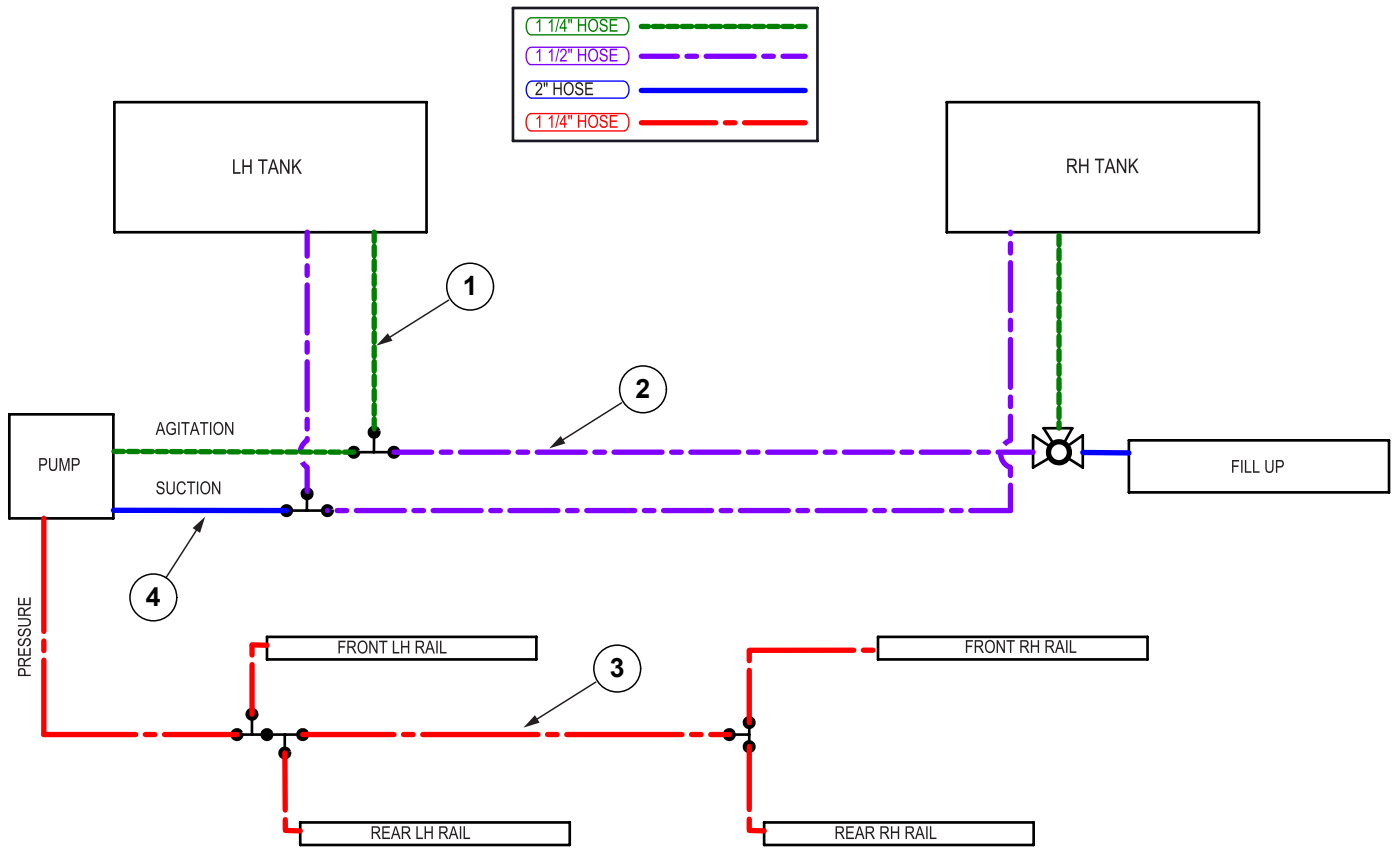
M0311-02

| ITEM | PART NO. | QTY. (Per Assy.) | DESCRIPTION |
|------|-----------|---------------------|--------------------------------------|
| 1 | GA18576 | 1 | Fertilizer Tube Adapter |
| 2 | GD29625 | 1 | Connector, 1/4" NPT x 3/8" |
| 3 | GD11700 | 1 | Adapter, 1/4" NPT To 3/8" Barb |
| 4 | G10681 | 2 | Hose Clamp, No. 6 |
| 5 | G10622 | 1 | Serrated Flange Nut, 3/8"-16 |
| 6 | G10002 | 1 | Hex Head Cap Screw, 3/8"-16 x 3/4" |
| 7 | G4301-11 | 1 | Clear Plastic Tube, 3/8" x 16 |
| 8 | G10944501 | 1 | Fertilizer Air Lock Loop Holder |
| 9 | G10001 | 2 | Hex Head Cap Screw, 3/8"-16 x 1" |
| 10 | G10108 | 2 | Lock Nut, 3/8"-16 |
| 11 | G10203 | 2 | Washer, 3/8" SAE |
| 12 | G10021 | 1 | Hex Head Cap Screw, 1/4"-20 x 1 1/2" |
| 13 | G10110 | 1 | Lock Nut, 1/4"-20, Grade B |
| 14 | G10992701 | 1 | Loop Holder Bracket |

Hoses for BV-controlled Liquid Fertilizer

M0311-02

Model 3505



| ITEM | PART NO. | QTY. (per Assy) | DESCRIPTION |
|------|-----------|--------------------|--|
| 1 | G10616801 | - | HOSE EPDM/POLYETHYLENE HELIX 1.8 OD X 1-1/4 ID X 1200 IN |
| 2 | G10616701 | - | HOSE EPDM/POLYETHYLENE HELIX 2.1 OD X 1-1/2 ID X 1200 IN |
| 3 | G10616501 | - | HOSE EPDM/WIRE HELIX 1.61 OD X 1-1/4 ID X 1200 IN |
| 4 | G10616601 | - | HOSE EPDM/POLYETHYLENE HELIX 2.6 OD X 2 ID X 1200 IN |

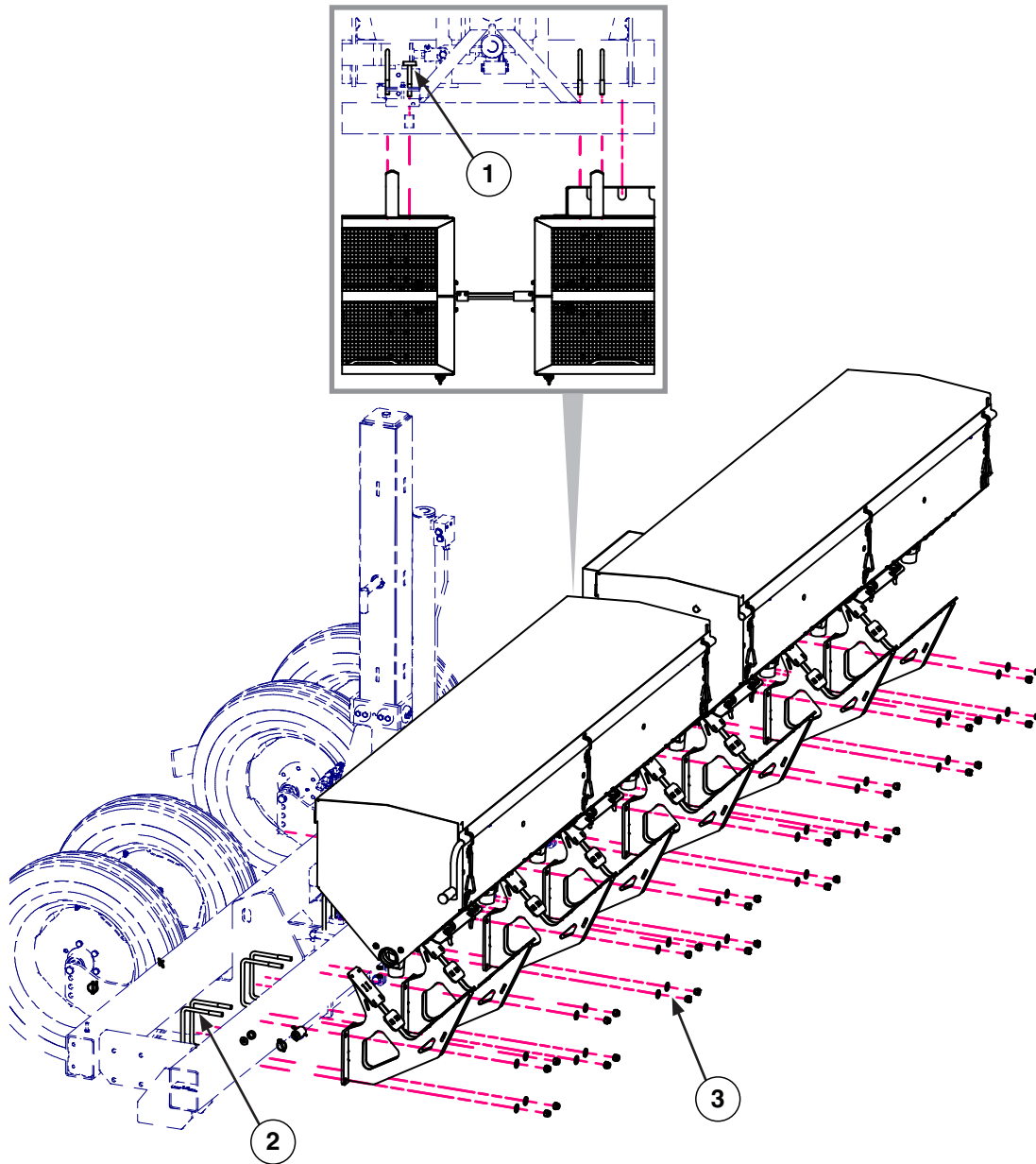
*Fertilizer hoses sold in bulk only.

Dry Fertilizer Tank Mounts

Model 3505

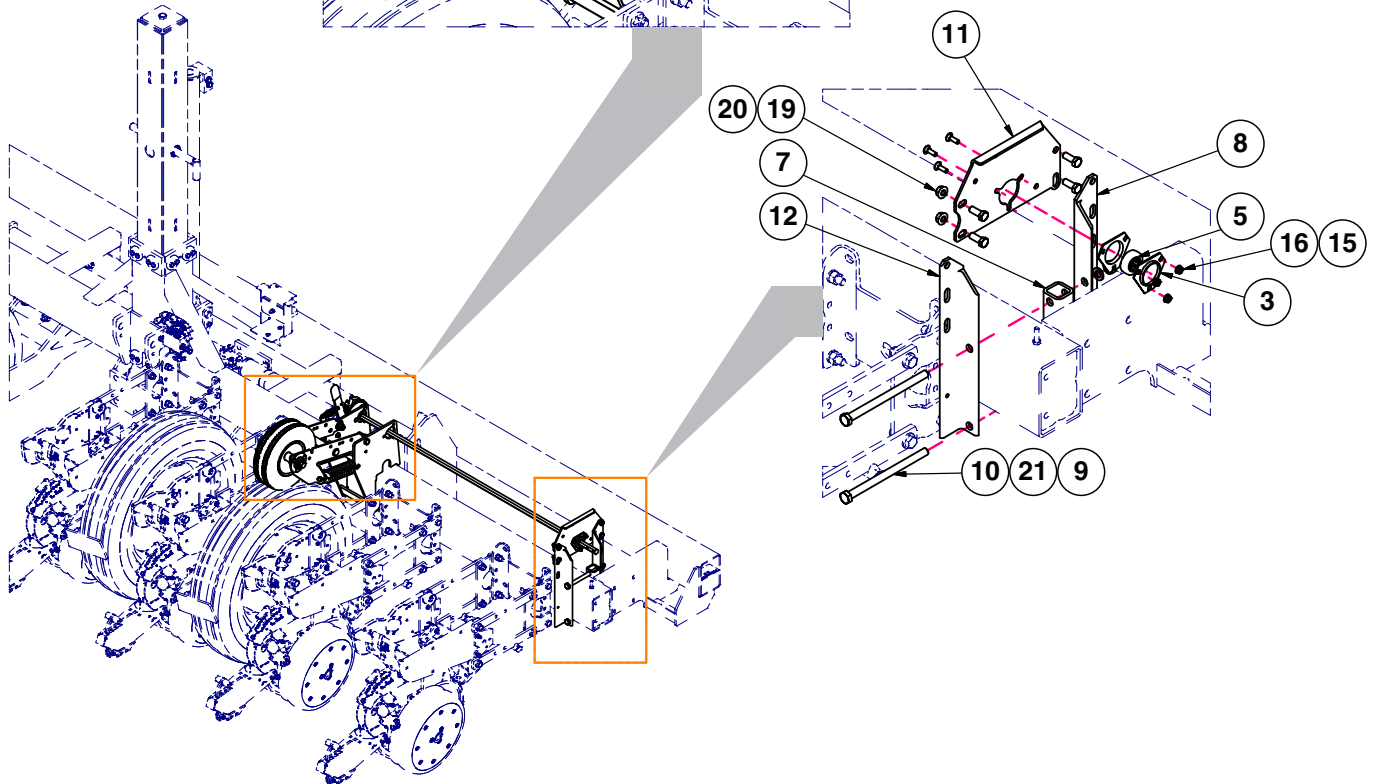
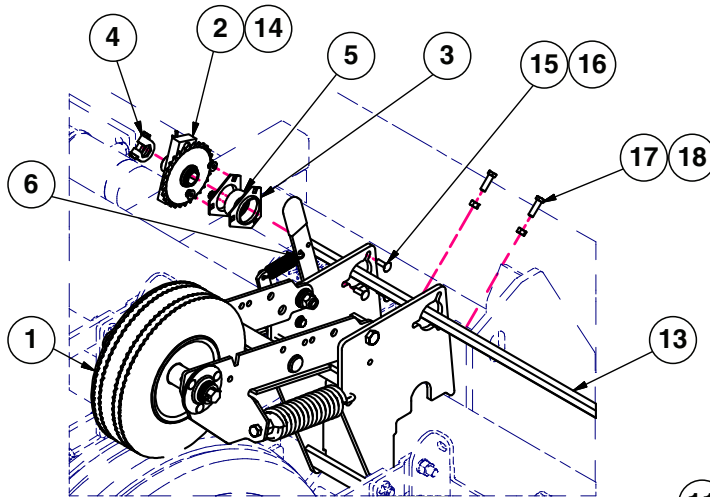
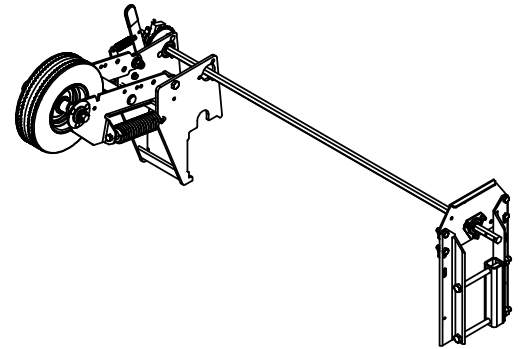
M0311-02

(A25750)



| ITEM | PART NO. | QTY. | DESCRIPTION |
|------|----------|------|---------------------------|
| 1 | GA13587 | 2 | T-Bolt, 5/8"-11 x 5" |
| 2 | GD1113 | 15 | U-Bolt, 4" x 7" x 1/2"-13 |
| 3 | G11391 | 32 | Flat Washer, 5/8" SAE |
| | G10107 | 32 | Lock Nut, 5/8"-11 |

(A27177)



Ground Contact Drive Add-On For Fertilizer

Model 3505

M0311-02

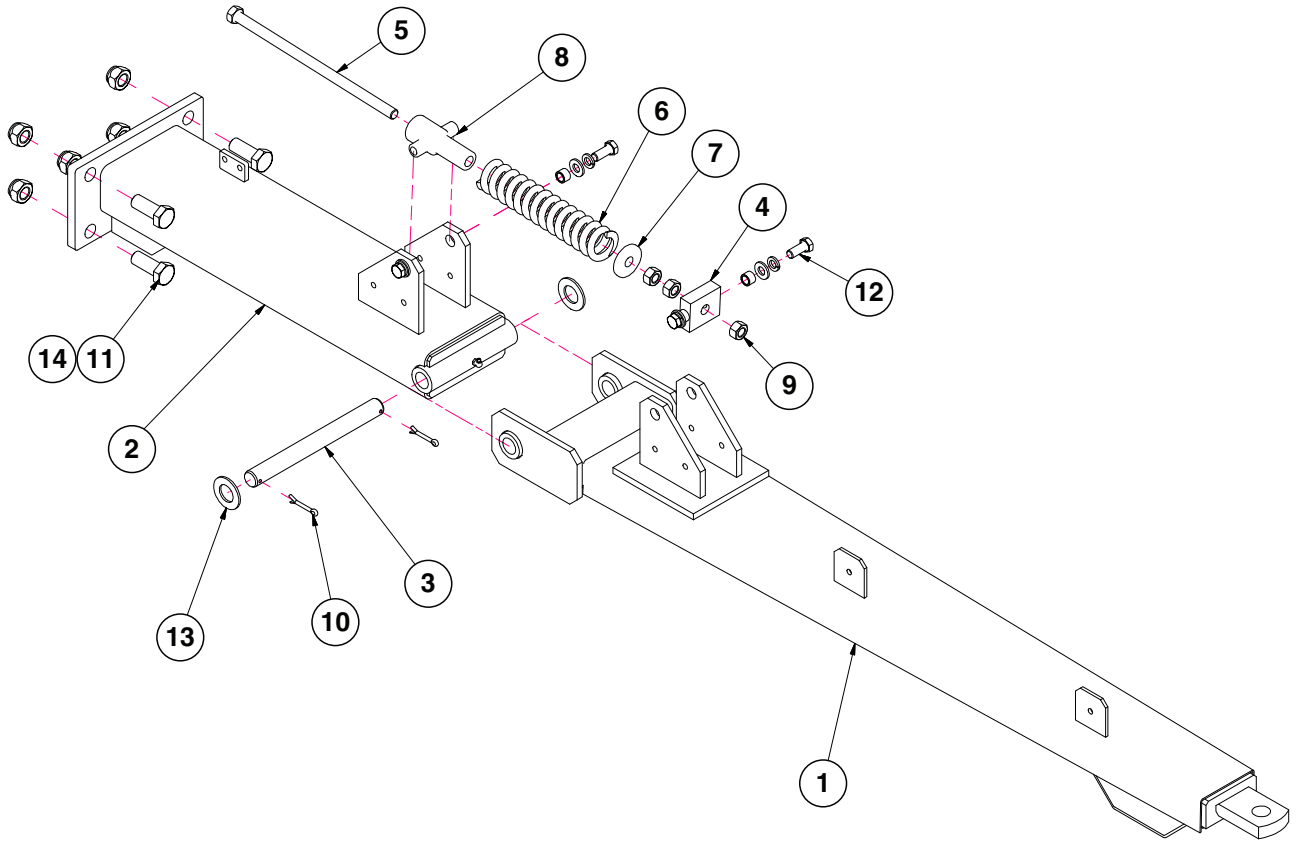
| ITEM | PART NO. | QTY. | DESCRIPTION |
|------|-----------|------|---|
| 1 | --- | - | Contact Drive Cross Reference |
| 2 | GA5164 | 1 | Ratchet/Sprocket Assembly |
| 3 | G3400-01 | 4 | Flangette |
| 4 | GA11331 | 1 | Hex Lock Clamp Assembly |
| 5 | G2100-03 | 2 | Bearing, 7/8" Hex Bore, Spherical |
| 6 | --- | - | Idler Arm Cross Reference |
| 7 | GD9047 | 1 | Spacer |
| 8 | GD30624 | 1 | Anlge Support |
| 9 | G10230 | 2 | Lock Washer, 5/8" |
| 10 | G10104 | 2 | Hex Nut, 5/8"-11 |
| 11 | GD36878 | 1 | Reverser Plate |
| 12 | GD36879 | 1 | Support Angle, L.H. |
| 13 | G10020001 | 1 | Drive Shaft, 7/8" x 64" |
| 14 | G3310-116 | 1 | Chain, No. 40, 116 Pitch Including Connector Link |
| 15 | G10303 | 6 | Carriage Bolt, 5/16"-18 x 1" |
| 16 | G10620 | 6 | Serrated Flange Nut, 5/16"-18 |
| 17 | G10004 | 2 | Hex Head Cap Screw, 3/8"-16 x 1 1/4" |
| 18 | G10101 | 2 | Hex Nut, 3/8"-16 |
| 19 | G10037 | 4 | Hex Head Cap Screw, 1/2"-13 x 1 1/4" |
| 20 | G10071 | 4 | Serrated Flange Nut, 1/2"-13 |
| 21 | G10152 | 2 | Hex Head Cap Screw, 5/8"-11 x 9" |

Rear Trailer Hitch

M0311-02

Model 3505

(A27126)


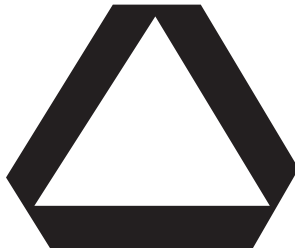






| ITEM | PART NO. | QTY. | DESCRIPTION |
|------|----------|------|--|
| 1 | GA6961 | 1 | Hitch |
| 2 | GA27127 | 1 | Hitch |
| 3 | GD3547 | 1 | Pin, 1 1/4" x 12 3/4" |
| 4 | GD7908 | 1 | Tap Block |
| 5 | GD7907 | 1 | Special Bolt |
| 6 | GD2115 | 1 | Spring |
| 7 | GD34923 | 1 | Spring Seat |
| 8 | GB0206 | 1 | Rod Guide |
| 9 | G10105 | 3 | Hex Nut, 3/4"-10 |
| 10 | G10460 | 2 | Cotter Pin, 1/4" x 2" |
| 11 | G10826 | 5 | Hex Head Cap Screw, 1"-8 x 2 1/2" |
| 12 | G10007 | 4 | Hex Head Cap Screw, 5/8"-11 x 1 1/2" |
| | G10230 | 4 | Lock Washer, 5/8" |
| | G11391 | 4 | Flat Washer, 5/8" SAE |
| | GB0218 | 4 | Bushing, 21/32" I.D. x 7/8" O.D. x 19/32" Long |
| 13 | G11396 | 2 | Flat Washer, 1 1/4" SAE |
| 14 | G10396 | 5 | Lock Nut, 1"-8 |

Decals, Paint, and Miscellaneous

Model 3505

M0311-02

| | |
|---|---|
|  |  |
| | <p>Part No.: GD2199 Description: SMV Sign Quantity: 1</p> |
| |  |
| | <p>Part No.: G10367401 Description: Decal, Crush Warning (2021 Production and on) Quantity: 1 (Per Contact Wheel Assembly)</p> |
| <p>G10366901</p>  <p>G10367401</p> |  |
| | <p>Part No.: G10366901 Description: Decal, Warning (2021 Production and on) Quantity: 1 (Per Row Marker Cylinder - Conventional) 4 (2 Per Row Marker)</p> |
| |  |
| | <p>Part No.: G10367401 Description: Decal, Crush Warning (2021 Production and on) Quantity: 1 (Per Contact Wheel Assembly)</p> |

Decals, Paint, and Miscellaneous

M0311-02



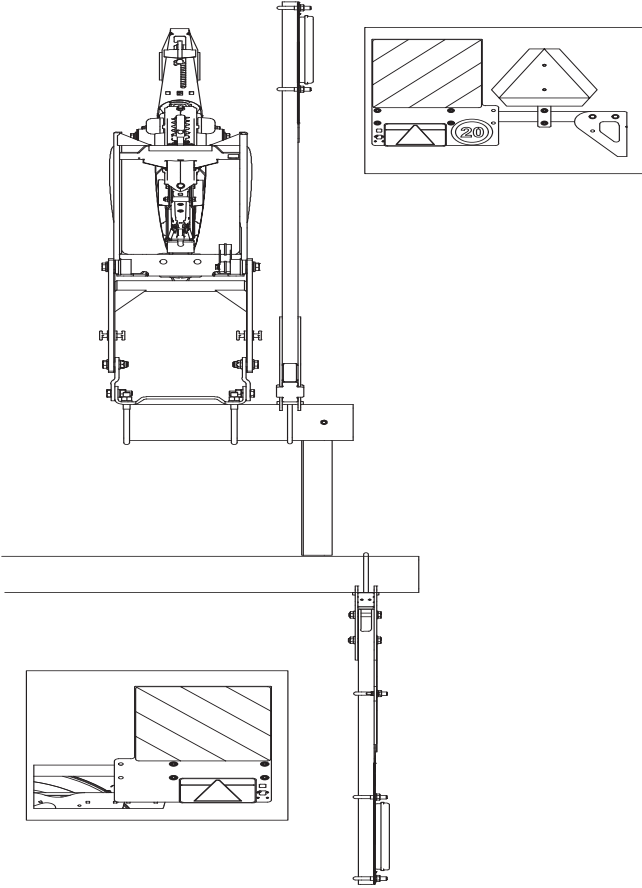

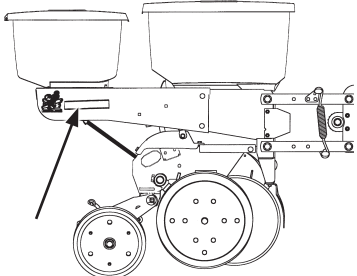

Model 3505

| | |
|--|--|
| | |
| | <p>Part No.: G10367101 Description: Decal, Caution Quantity: 4 (One On Each Side Of Fan)</p> <hr/> <p>Part No.: G7100-558 Description: Reflective Decal, Amber, 2" x 9", Rectangular Quantity: 7 On 6 Row/Qty. 8 On 8 Row (Located on the front planter toolbar in front of every other row unit beginning on the L.H. side of the planter and forward-facing on the outer ends of The transport axle. One located on each side of hitch.)</p> |
| | <p>Part No.: G7100-558 Description: Reflective Decal, Amber, 2" x 9", Rectangular Quantity: 2 (Per Row Unit - Located On The Granular Chemical Hopper Panel Extension Of Every Other Row Unit Beginning On The L.H. Side Of The Planter - Side-Facing In Transport Position)</p> <p>Part No.: G7100-262 Description: Reflective Decal, Amber, 1 1/4" x 9", Die-Cut Quantity: 1 (Qty. 1 Per Row Unit - Located On The Hopper Support Of Every Other Row Unit Beginning On The L.H. Side Of The Planter - Side-Facing In Transport Position)</p> |

Decals, Paint, and Miscellaneous

Model 3505

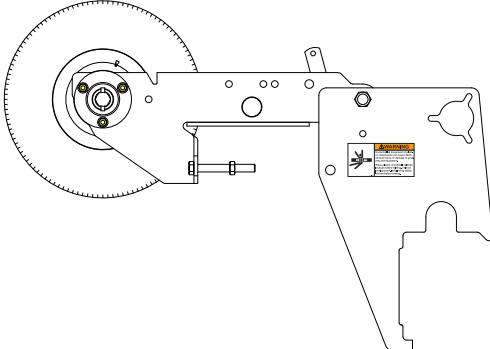

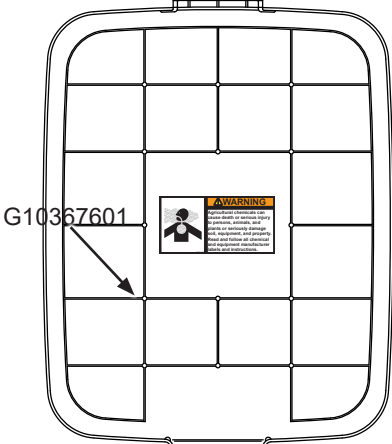



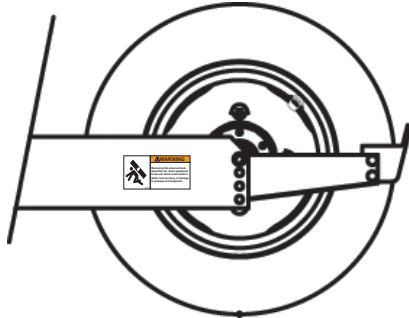

M0311-02

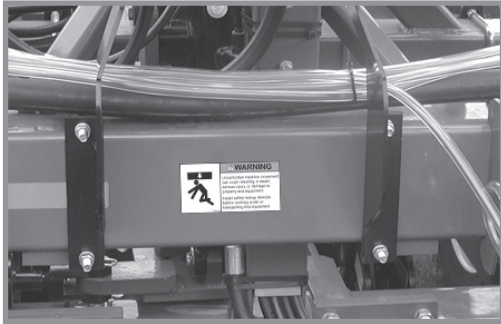
| | |
|---|---|
|  |  |
| | <p>Part No.: G7100-557 Description: Reflective Decal, Red, 2" x 9" Rectangular Quantity: 1 (Per Scraper - Located On Top)</p> |
|  |  |
| | <p>Part No.: G7100-559 Description: Reflective Decal, Orange, 2" x 9" Rectangular Quantity: 1 (Per Scraper - Located On Bottom)</p> |
| <p style="text-align: center;">With Granular Chemical Option</p>  |  |
| | <p>Part No.: G7100-558 Description: Reflective Decal, Amber, 2" x 9", Rectangular Quantity: 1 (Located On The Outer Row Unit On The R.H. Side Of The Planter - Forward- Facing In Transport Position)</p> |

Decals, Paint, and Miscellaneous

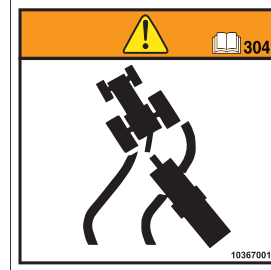
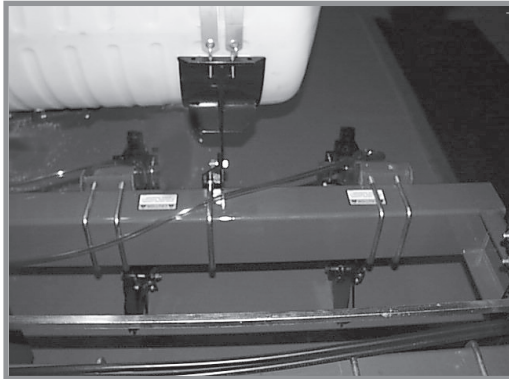
M0311-02

Model 3505

| | |
|---|--|
|  |  <p>Part No.: G10366801 Description: Decal, Warning (2021 Production and on) Quantity: 1 (Per Contact Wheel Assembly)</p> |
|  |  <p>Part No.: G10367601 Description: Decal, Chemical Warning (2021 Production and on) Quantity: 1 (1 Per Row Unit - Located On Underside Of Granular Chemical Hopper Lid)</p> |
|  |  <p>Part No.: G10371901 Description: Decal, Lifting Caution (2021 Production and on) Quantity: 1 (Located On Push Row Unit Lift Lever)</p> |
|  |  <p>Part No.: G10367301 Description: Decal, Warning Quantity: -</p> |



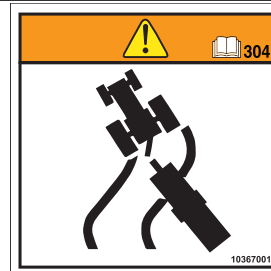
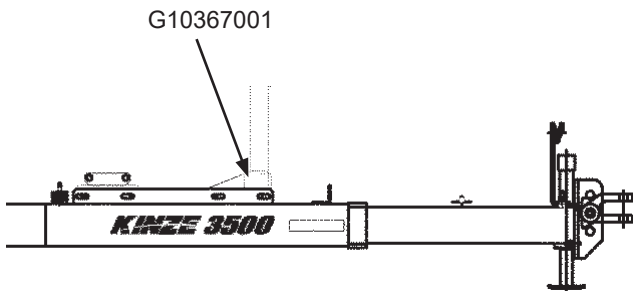
Part No.: G10367401
 Description: Decal, Crush Warning (2021 Production and on)
 Quantity: 1



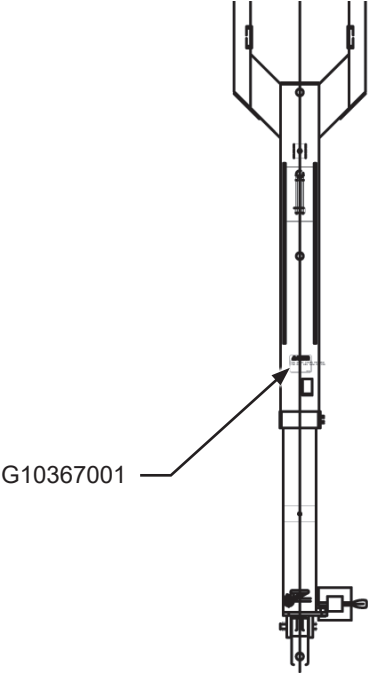
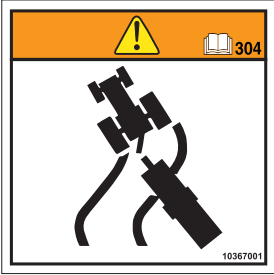
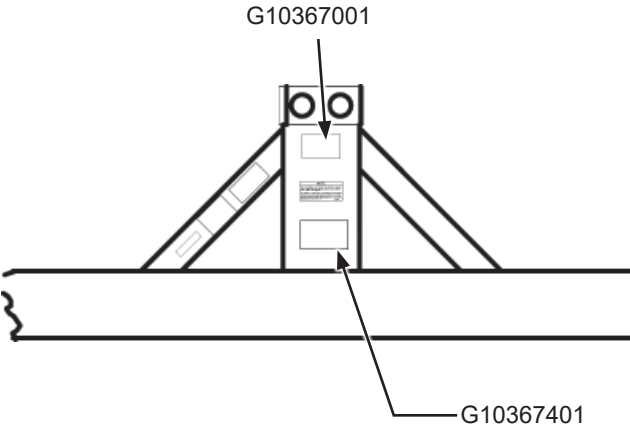
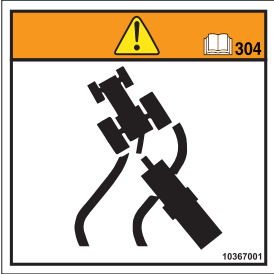

Part No.: G10367001
 Description: Decal, Warning (2021 Production and on)
 Quantity: 1



Part No.: G10367401
 Description: Decal, Crush Warning (2021 Production and on)
 Quantity: 1



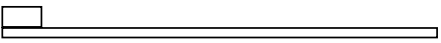
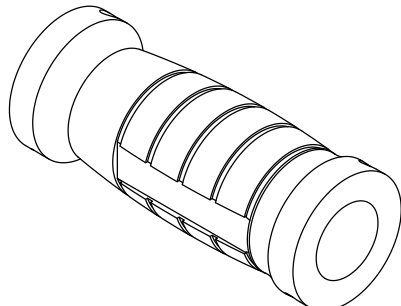
Part No.: G10367001
 Description: Decal, Warning (2021 Production and on)
 Quantity: 1

| | | |
|---|---|--|
|  <p>G10367001</p> |  | |
| <p>Part No.: G10367001 Description: Decal, Warning (2021 Production and on) Quantity: 1</p> |  <p>G10367001</p> <p>G10367401</p> |  |
| <p>Part No.: G10367001 Description: Decal, Warning (2021 Production and on) Quantity: 1</p> |  | |
| <p>Part No.: G10367401 Description: Decal, Crush Warning (2021 Production and on) Quantity: 1</p> | | |

Decals, Paint, and Miscellaneous

Model 3505

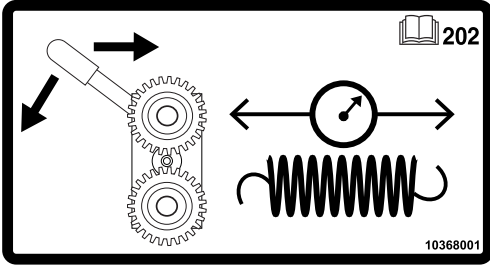
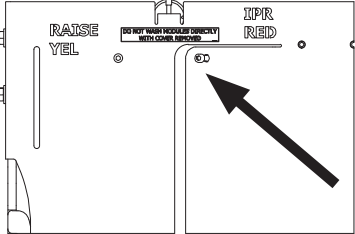
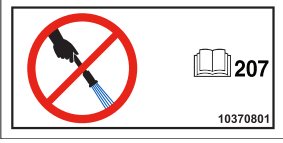
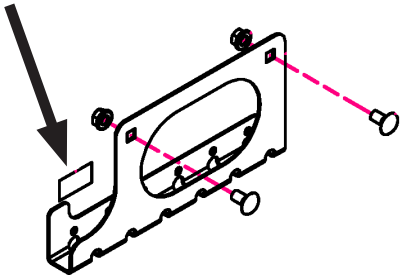

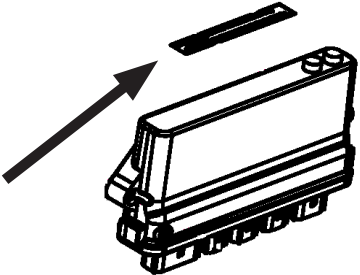



M0311-02

| | |
|--|---|
|  | <p>Part No.: GD2984 Description: Tie Strap, 33"-36"</p> <p>Part No.: GD1512 Description: Tie Strap, 7½"</p> <p>Part No.: GD2117 Description: Tie Strap, 14½"</p> <p>Part No.: GD2984 Description: Tie Strap, 34"</p> |
|  | <p>Part No.: GA26924-01 Description: Hose Label Cover, Red, Extend</p> <p>Part No.: GA26924-02 Description: Hose Label Cover, Red, Retract</p> <p>Part No.: GA26924-03 Description: Hose Label Cover, Blue, Extend</p> <p>Part No.: GA26924-04 Description: Hose Label Cover, Blue, Retract</p> <p>Part No.: GA26924-05 Description: Hose Label Cover, Green, Extend</p> <p>Part No.: GA26924-06 Description: Hose Label Cover, Green, Retract</p> <p>Part No.: GA26924-07 Description: Hose Label Cover, Yellow, Extend</p> <p>Part No.: GA26924-08 Description: Hose Label Cover, Yellow, Retract</p> <p>Part No.: GA26924-09 Description: Hose Label Cover, White, Extend</p> <p>Part No.: GA26924-10 Description: Hose Label Cover, White, Retract</p> <p>Part No.: GA26924-11 Description: Hose Label Cover, Orange, Retract</p> |

Decals, Paint, and Miscellaneous

M0311-02

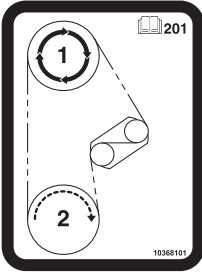
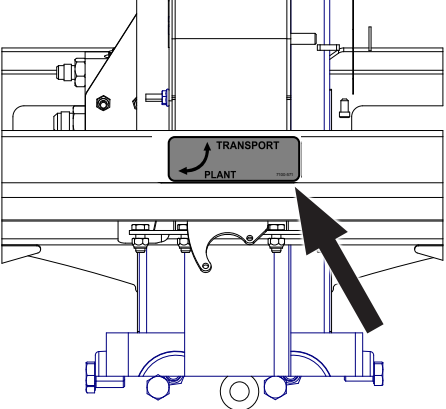
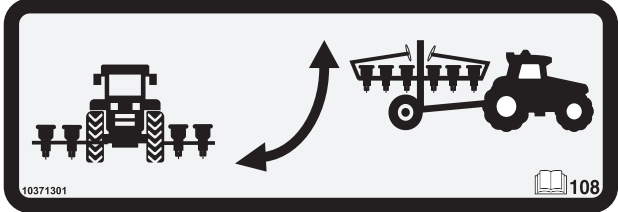
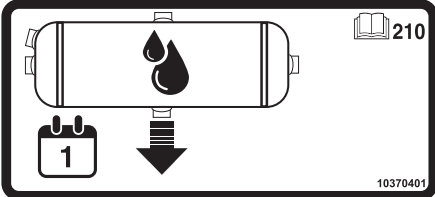


Model 3505

| | |
|---|--|
|  | <p>Part No.: G10368001 Description: Decal, Spring Tension Release Quantity: -</p> |
|  |  <p>Part No.: G10370801 Description: Decal, IPN/IPR Quantity: 1</p> |
|  |  <p>Part No.: G7100-610 Description: Decal, Meter Wire Quantity: 1</p> |
|  |  <p>Part No.: G10371001 Description: Decal, Meter Wire Quantity: 1</p> |
|  | <p>Part No.: G10367201 Description: Decal, Warning Quantity: 1</p> |
|  | <p>Part No.: G10367901 Description: Decal, Instruction Quantity: -</p> |

Decals, Paint, and Miscellaneous

Model 3505




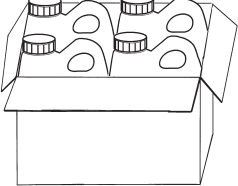




M0311-02

| | |
|---|---|
|  | <p>Part No.: G10368101 Description: Decal, Transmission (2021 Production and on) Quantity: 1</p> |
|  |  <p>Part No.: 10371301 Description: Decal, Transport Valve</p> |
|  | <p>Part No.: G10371801 Description: Decal, Tank Drain</p> |
|  | <p>Part No.: G10368201 Description: Decal, Oil/Grease Daily (2021 Production and on) Quantity: -</p> |
|  | <p>Part No.: G10371501 Description: Decal, Oil/Grease Weekly Quantity: -</p> |

Decals, Paint, and Miscellaneous

M0311-02

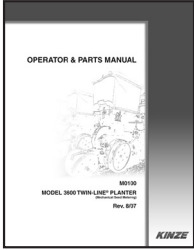
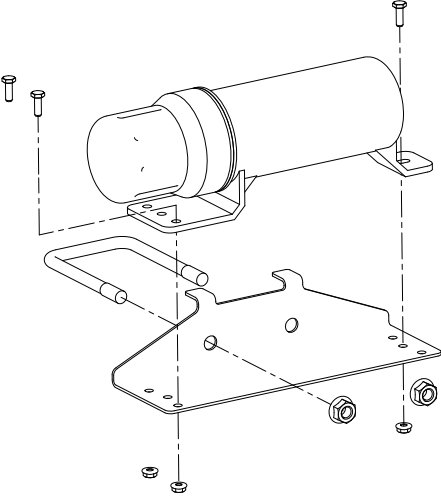
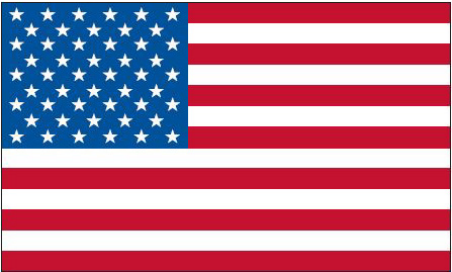
Model 3505

| | |
|---|--|
|  | <p>Part No.: GR2127MPP Description: Blue Paint, Twelve Aerosol Cans</p> |
|  | <p>Part No.: GR0146 Description: Powdered Graphite, 1 Pound Container Part No.: GR0146MPP Description: Powdered Graphite, Twenty-Four 1 Pound Containers</p> |
|  | <p>Part No.: GR1570MPP Description: Talc Lubricant, Four 8 Pound Containers</p> |
|  | <p>Part No.: GR1842MPP Description: Graphite Lubricant, Four 5 Pound Containers</p> |
|  | <p>Part No.: GR2240MPP Description: Talc/Graphite Blend (80 Talc/20 Graphite), Four 8 Pound Containers</p> |
|  | <p>Part No.: GR2241MPP Description: Dispensing Cap, 10/Package</p> |
|  | <p>Part No.: G10074001 Description: Decal, Kinze 3505 Quantity: 2 (1 On Each Side of Hitch)</p> |
|  | <p>Part No.: G10227601 Description: Decal, 3505 Blue Drive Quantity: 2 (1 On Each Side Of Hitch)</p> |

Decals, Paint, and Miscellaneous

Model 3505

M0311-02

| | |
|---|--|
|  | <p>Part No.: English version- GM0311-01 Russian version- GM0311-01-RUS Ukrainian version- GM0311-01-UKR Romanian version- GM0311-01-ROM Bulgarian version- GM0311-01-BGR</p> <p>Description: Operator's Manual, Model 3505</p> <p>Part No.: GM0311-02 Description: Parts Manual, Model 3505</p> <p>Part No.: GPR1094 Description: Binder (Contact Kinze Repair Parts To Order)</p> |
|  | <p>Part No.: GA15422 Description: Operator's Manual Canister Quantity: 1</p> |
| | <p>Part No.: GD22686 Description: Manual Canister Bracket Quantity: 1</p> |
| | <p>Part No.: GD16642 Description: U-Bolt, 3" x 4" x 1/2"-13 Quantity: 1</p> |
| | <p>Part No.: G10071 Description: Serrated Flange Nut, 1/2"-13 Quantity: 2</p> |
| | <p>Part No.: G11166 Description: Hex Socket Flange Cap Screw, 1/4"-20 x 3/4" Quantity: 3</p> |
|  | <p>Part No.: G11320 Description: Lock Nut, 1/4"-20, Grade B Quantity: 3</p> |
| | <p>Part No.: G7100-484 Description: Decal, American Flag</p> |

This page left blank intentionally.

| Part No. | Page | Part No. | Page | Part No. | Page | Part No. | Page |
|------------|------|-------------|------|-------------|------|-------------|------|
| *10199901 | P191 | *A12015 | P193 | *A15092-155 | P191 | *A26936-250 | P201 |
| *10199901 | P193 | *A12015 | P201 | *A15092-155 | P193 | *A26937-269 | P201 |
| *A1018 | P183 | *A12038 | P177 | *A15092-155 | P198 | *A26938-110 | P183 |
| *A1029 | P201 | *A12038 | P200 | *A15094-175 | P183 | *A26938-110 | P185 |
| *A1078 | P183 | *A12080 | P185 | *A15098-150 | P185 | *A26938-110 | P191 |
| *A1078 | P201 | *A12080 | P193 | *A15098-150 | P191 | *A26938-110 | P193 |
| *A1090 | P183 | *A12080 | P198 | *A15098-150 | P193 | *A26938-266 | P198 |
| *A1121 | P183 | *A12767 | P183 | *A15098-150 | P198 | *A26939-140 | P183 |
| *A1153 | P185 | *A12767 | P185 | *A18644 | P193 | *A26940-260 | P183 |
| *A1153 | P193 | *A12937-24 | P198 | *A18644 | P198 | *A26941-112 | P183 |
| *A1154 | P183 | *A13870-72 | P115 | *A18667-32 | P177 | *A26941-112 | P185 |
| *A1155 | P185 | *A13870-74 | P115 | *A18667-72 | P200 | *A26941-112 | P191 |
| *A1155 | P193 | *A13870-82 | P115 | *A18667-180 | P191 | *A26941-112 | P193 |
| *A1421 | P195 | *A13870-93 | P115 | *A18667-180 | P193 | D0453-02 | P154 |
| *A1434 | P185 | *A13870-97 | P115 | *A18668-152 | P183 | *D12108 | P165 |
| *A3274 | P193 | *A13870-101 | P115 | *A18671-30 | P177 | *D12110 | P165 |
| *A3274 | P198 | *A13870-103 | P115 | *A18671-30 | P200 | *D12227 | P165 |
| *A3292 | P185 | *A13870-116 | P115 | *A18676-184 | P198 | *D12228 | P165 |
| *A3371 | P187 | *A13870-118 | P115 | *A18695-246 | P191 | *D12233 | P166 |
| *A3371 | P189 | *A13870-123 | P115 | *A18695-246 | P193 | *D12235 | P166 |
| *A3371 | P195 | *A13870-133 | P115 | *A21525-77 | P183 | *D12236 | P166 |
| *A6201 | P187 | *A13870-137 | P115 | *A21525-77 | P185 | *D12252 | P165 |
| *A6201 | P189 | *A13870-149 | P115 | *A21525-77 | P191 | *D12256 | P166 |
| *A6201 | P195 | *A15000 | P183 | *A21525-77 | P193 | *D12257 | P165 |
| A6524 | P174 | *A15000 | P185 | *A21525-77 | P198 | *D12277 | P166 |
| A7369 | P143 | *A15000 | P191 | *A21530-48 | P177 | D13426 | P174 |
| *A7677-20 | P177 | *A15000 | P193 | *A21530-140 | P183 | *D17151-20 | P109 |
| *A7677-20 | P200 | *A15000 | P198 | *A21530-140 | P185 | *D29649 | P165 |
| *A7678-13 | P177 | *A15023 | P185 | *A21530-140 | P191 | *D29692 | P166 |
| *A7678-13 | P200 | *A15064 | P183 | *A21530-140 | P193 | G1K248 | P149 |
| *A7678-19 | P200 | *A15081-24 | P185 | *A21530-140 | P198 | G1K248 | P203 |
| *A7678-20 | P200 | *A15081-27 | P200 | *A21533-30 | P189 | G1K248 | P206 |
| *A7680-10 | P177 | *A15081-32 | P177 | *A21533-36 | P187 | G1K252 | P149 |
| *A7680-10 | P200 | *A15081-32 | P200 | *A21533-36 | P195 | G1K252 | P203 |
| *A7680-11 | P200 | *A15081-95 | P191 | *A21542-64 | P200 | G1K252 | P206 |
| *A7680-14 | P200 | *A15081-95 | P193 | *A21548-120 | P183 | G1K253 | P143 |
| *A7680-15 | P200 | *A15081-95 | P198 | *A21548-120 | P185 | G1K268 | P149 |
| *A7680-35 | P177 | *A15081-128 | P185 | *A21548-120 | P191 | G1K268 | P205 |
| *A7680-35 | P200 | *A15082-77 | P183 | *A21548-120 | P193 | G1K269 | P144 |
| *A7681-58 | P200 | *A15082-77 | P185 | *A21550-288 | P191 | G1K296 | P10 |
| *A7682-25 | P200 | *A15082-77 | P191 | *A21550-288 | P193 | G1K320 | P149 |
| *A7682-35 | P200 | *A15082-77 | P193 | *A25504-19 | P177 | G1K320 | P203 |
| *A7682-58 | P200 | *A15082-77 | P198 | *A25504-19 | P200 | G1K320 | P205 |
| *A8213 | P185 | *A15082-77 | P198 | *A25504-186 | P191 | G1K321 | P149 |
| *A8213 | P193 | *A15082-132 | P183 | *A25504-186 | P193 | G1K321 | P203 |
| A9442 | P166 | *A15082-154 | P185 | *A25504-186 | P198 | G1K321 | P205 |
| *A11447 | P187 | *A15082-154 | P193 | *A25690-58 | P200 | G1K322 | P205 |
| *A11447 | P189 | *A15082-154 | P198 | *A25690-67 | P200 | G1K331 | P66 |
| *A11447 | P195 | *A15092-90 | P183 | *A25704-242 | P198 | G1K345 | P12 |
| *A11810-68 | P198 | *A15092-106 | P183 | *A25707-68 | P198 | G1K362 | P206 |
| *A11810-72 | P198 | *A15092-155 | P183 | *A25707-72 | P198 | G1K363 | P206 |
| *A12015 | P185 | *A15092-155 | P185 | *A26936-98 | P183 | G1K378 | P147 |

| Part No. | Page | Part No. | Page | Part No. | Page | Part No. | Page |
|---------------|------|-------------|------|-------------|------|-------------|------|
| G1K385 | P32 | G3310-92 | P146 | G6408-H06-O | P81 | G6801-12-10 | P175 |
| G1K395 | P149 | G3310-108 | P146 | G6408-H06-O | P172 | G6804-12 | P88 |
| G1K396 | P149 | G3310-116 | P143 | G6408-H06-O | P175 | G7100-262 | P289 |
| G1K426 | P81 | G3310-116 | P286 | G6408-H08-0 | P80 | G7100-557 | P290 |
| G1K534 | P59 | G3310-122 | P65 | G6408-H08-0 | P81 | G7100-557 | P290 |
| G1K535 | P59 | G3310-124 | P143 | G6408-H08-0 | P172 | G7100-558 | P289 |
| G1K728 | P33 | G3310-172 | P232 | G6408-H10-0 | P111 | G7100-558 | P289 |
| G1K758 | P6 | G3310-172 | P233 | G6500-06 | P172 | G7100-558 | P290 |
| G1K759 | P59 | G3324-01 | P130 | G6500-06-08 | P111 | G7100-559 | P290 |
| G304-C-06 | P79 | G3400-01 | P65 | G6500-08 | P172 | G7100-577 | P139 |
| G304-C-8 | P79 | G3400-01 | P142 | G6500-08 | P265 | G7100-578 | P139 |
| G304-C-8 | P169 | G3400-01 | P147 | G6500-08-06 | P169 | G7100-578 | P290 |
| G304-C-10 | P79 | G3400-01 | P239 | G6500-10 | P213 | G7100-610 | P73 |
| G2100-03 | P65 | G3400-01 | P286 | G6500-12 | P85 | G7100-614 | P33 |
| G2100-03 | P142 | G4200-02 | P237 | G6500-12 | P87 | G7100-616 | P42 |
| G2100-03 | P239 | G4200-03 | P237 | G6500-12 | P88 | G8475X | P85 |
| G2100-03 | P286 | G4301-02 | P238 | G6602-06 | P177 | G8475X | P87 |
| G2403-08 | P201 | G4301-04 | P238 | G6602-06 | P193 | G8647X | P205 |
| **G2403-08-06 | P183 | G4301-11 | P282 | G6602-08 | P177 | G9421X | P210 |
| G2403-08-06 | P191 | G4425-02 | P127 | G6602-08 | P193 | G9897X | P22 |
| G2403-08-06 | P193 | G4425-02 | P129 | G6602-10 | P111 | G9903X | P22 |
| *G2403-10 | P183 | G4425-03 | P129 | G6602-10 | P177 | G10001 | P12 |
| G2403-10 | P191 | G4602-01 | P237 | G6602-10 | P191 | G10001 | P59 |
| G2403-10 | P193 | G4602-03 | P274 | G6602-10 | P193 | G10001 | P77 |
| *G2403-12-10 | P183 | G5000-08-04 | P260 | G6602-12 | P85 | G10001 | P85 |
| G2403-12-10 | P191 | G6325X | P6 | G6602-12 | P87 | G10001 | P87 |
| G2403-12-10 | P193 | G6400-06 | P170 | G6801-04-04 | P40 | G10001 | P105 |
| G2406-08-06 | P111 | G6400-06-08 | P79 | G6801-06 | P213 | G10001 | P105 |
| G2406-08-06 | P201 | G6400-06-08 | P80 | G6801-06 | P275 | G10001 | P106 |
| G2406-12-08 | P85 | G6400-06-08 | P81 | G6801-06-04 | P75 | G10001 | P109 |
| G2406-12-08 | P87 | G6400-06-08 | P172 | G6801-06-04 | P79 | G10001 | P121 |
| G2501-12-16 | P85 | G6400-06-10 | P111 | G6801-06-04 | P112 | G10001 | P123 |
| G2501-12-16 | P87 | G6400-06-10 | P112 | G6801-06-08 | P111 | G10001 | P123 |
| G2501-16-20 | P85 | G6400-06-10 | P124 | G6801-06-10 | P75 | G10001 | P131 |
| G2501-16-20 | P87 | G6400-08 | P79 | G6801-06-10 | P85 | G10001 | P161 |
| G2503-20 | P95 | G6400-08 | P80 | G6801-06-10 | P85 | G10001 | P169 |
| G2603-06 | P111 | G6400-08 | P153 | G6801-06-10 | P111 | G10001 | P211 |
| G2603-06 | P177 | G6400-08 | P157 | G6801-06-10 | P124 | G10001 | P239 |
| G2603-06 | P191 | G6400-08 | P165 | G6801-08 | P153 | G10001 | P260 |
| G2603-06 | P193 | G6400-08 | P265 | G6801-08 | P157 | G10001 | P265 |
| *G3292 | P183 | G6400-08-10 | P80 | G6801-08 | P167 | G10001 | P282 |
| G3303-41 | P69 | G6400-08-10 | P81 | G6801-08 | P171 | G10002 | P8 |
| G3303-78 | P69 | G6400-08-10 | P172 | G6801-08-06 | P275 | G10002 | P26 |
| G3303-96 | P59 | G6400-10 | P80 | G6801-08-10 | P75 | G10002 | P30 |
| G3303-96 | P123 | G6400-10 | P85 | G6801-08-10 | P112 | G10002 | P167 |
| G3303-108 | P24 | G6400-10 | P175 | G6801-08-12 | P181 | G10002 | P181 |
| G3303-108 | P121 | G6400-L-06 | P169 | G6801-10 | P85 | G10002 | P228 |
| G3303-114 | P29 | G6408-08 | P165 | G6801-10 | P175 | G10002 | P282 |
| G3303-124 | P4 | G6408-08 | P166 | G6801-10 | P213 | G10003 | P4 |
| G3303-124 | P121 | G6408-10 | P124 | G6801-10-12 | P98 | G10003 | P16 |
| G3310-80 | P146 | G6408-H04-0 | P80 | G6801-12 | P88 | G10003 | P32 |
| G3310-88 | P239 | G6408-H06-O | P80 | G6801-12-10 | P85 | G10003 | P85 |

| Part No. | Page | Part No. | Page | Part No. | Page | Part No. | Page |
|-------------|------|-------------|------|-------------|------|-------------|------|
| G10003..... | P105 | G10017..... | P147 | G10047..... | P146 | G10102..... | P87 |
| G10003..... | P239 | G10017..... | P228 | G10047..... | P153 | G10102..... | P105 |
| G10003..... | P241 | G10017..... | P232 | G10047..... | P157 | G10102..... | P145 |
| G10004..... | P6 | G10018..... | P162 | G10047..... | P228 | G10102..... | P145 |
| G10004..... | P36 | G10019..... | P10 | G10049..... | P69 | G10102..... | P147 |
| G10004..... | P42 | G10019..... | P151 | G10053..... | P105 | G10102..... | P147 |
| G10004..... | P59 | G10019..... | P151 | G10053..... | P145 | G10102..... | P151 |
| G10004..... | P65 | G10019..... | P159 | G10053..... | P239 | G10102..... | P154 |
| G10004..... | P73 | G10021..... | P282 | G10061..... | P4 | G10102..... | P155 |
| G10004..... | P87 | G10022..... | P268 | G10061..... | P14 | G10102..... | P159 |
| G10004..... | P127 | G10023..... | P26 | G10061..... | P127 | G10102..... | P159 |
| G10004..... | P137 | G10023..... | P30 | G10061..... | P129 | G10102..... | P228 |
| G10004..... | P142 | G10023..... | P88 | G10062..... | P105 | G10102..... | P232 |
| G10004..... | P143 | G10023..... | P107 | G10064..... | P12 | G10102..... | P237 |
| G10004..... | P146 | G10023..... | P209 | G10064..... | P121 | G10102..... | P239 |
| G10004..... | P161 | G10023..... | P214 | G10064..... | P123 | G10102..... | P239 |
| G10004..... | P236 | G10023..... | P215 | G10064..... | P139 | G10103..... | P235 |
| G10004..... | P286 | G10026..... | P137 | G10064..... | P214 | G10103..... | P265 |
| G10005..... | P6 | G10027..... | P140 | G10064..... | P275 | G10104..... | P6 |
| G10005..... | P8 | G10027..... | P214 | G10069..... | P167 | G10104..... | P6 |
| G10005..... | P133 | G10027..... | P274 | G10071..... | P4 | G10104..... | P59 |
| G10006..... | P38 | G10029..... | P274 | G10071..... | P16 | G10104..... | P73 |
| G10006..... | P87 | G10031..... | P10 | G10071..... | P18 | G10104..... | P115 |
| G10006..... | P99 | G10033..... | P38 | G10071..... | P40 | G10104..... | P146 |
| G10006..... | P135 | G10036..... | P34 | G10071..... | P71 | G10104..... | P153 |
| G10006..... | P153 | G10036..... | P239 | G10071..... | P121 | G10104..... | P157 |
| G10006..... | P157 | G10037..... | P18 | G10071..... | P124 | G10104..... | P228 |
| G10006..... | P167 | G10037..... | P40 | G10071..... | P135 | G10104..... | P237 |
| G10007..... | P105 | G10037..... | P63 | G10071..... | P137 | G10104..... | P239 |
| G10007..... | P130 | G10037..... | P71 | G10071..... | P139 | G10104..... | P239 |
| G10007..... | P133 | G10037..... | P83 | G10071..... | P163 | G10104..... | P246 |
| G10007..... | P237 | G10037..... | P135 | G10071..... | P213 | G10104..... | P265 |
| G10008..... | P127 | G10037..... | P145 | G10071..... | P265 | G10104..... | P274 |
| G10008..... | P129 | G10037..... | P239 | G10071..... | P286 | G10104..... | P286 |
| G10010..... | P10 | G10037..... | P265 | G10071..... | P298 | G10105..... | P137 |
| G10010..... | P36 | G10037..... | P286 | G10101..... | P12 | G10105..... | P237 |
| G10010..... | P167 | G10038..... | P147 | G10101..... | P67 | G10106..... | P143 |
| G10011..... | P228 | G10038..... | P155 | G10101..... | P69 | G10106..... | P151 |
| G10013..... | P12 | G10038..... | P239 | G10101..... | P131 | G10106..... | P151 |
| G10014..... | P4 | G10040..... | P151 | G10101..... | P143 | G10106..... | P167 |
| G10014..... | P10 | G10041..... | P109 | G10101..... | P205 | G10107..... | P12 |
| G10014..... | P121 | G10043..... | P107 | G10101..... | P239 | G10107..... | P34 |
| G10014..... | P137 | G10045..... | P38 | G10101..... | P239 | G10107..... | P99 |
| G10014..... | P181 | G10045..... | P105 | G10101..... | P241 | G10107..... | P127 |
| G10014..... | P213 | G10045..... | P154 | G10101..... | P260 | G10107..... | P129 |
| G10016..... | P65 | G10045..... | P155 | G10101..... | P286 | G10107..... | P130 |
| G10016..... | P99 | G10045..... | P159 | G10102..... | P38 | G10107..... | P135 |
| G10016..... | P137 | G10046..... | P228 | G10102..... | P38 | G10107..... | P140 |
| G10017..... | P40 | G10047..... | P59 | G10102..... | P63 | G10107..... | P161 |
| G10017..... | P63 | G10047..... | P69 | G10102..... | P65 | G10107..... | P167 |
| G10017..... | P145 | G10047..... | P123 | G10102..... | P66 | G10107..... | P228 |
| G10017..... | P146 | G10047..... | P130 | G10102..... | P85 | G10107..... | P229 |

| Part No. | Page | Part No. | Page | Part No. | Page | Part No. | Page |
|-------------|------|-------------|------|-------------|------|-------------|------|
| G10107..... | P233 | G10110..... | P117 | G10168..... | P155 | G10228..... | P105 |
| G10108..... | P4 | G10110..... | P121 | G10168..... | P159 | G10228..... | P145 |
| G10108..... | P4 | G10110..... | P123 | G10168..... | P159 | G10228..... | P145 |
| G10108..... | P14 | G10110..... | P124 | G10168..... | P239 | G10228..... | P147 |
| G10108..... | P16 | G10110..... | P127 | G10169..... | P127 | G10228..... | P147 |
| G10108..... | P19 | G10110..... | P129 | G10169..... | P129 | G10228..... | P151 |
| G10108..... | P24 | G10110..... | P159 | G10169..... | P133 | G10228..... | P154 |
| G10108..... | P26 | G10110..... | P181 | G10171..... | P75 | G10228..... | P155 |
| G10108..... | P59 | G10110..... | P245 | G10171..... | P119 | G10228..... | P159 |
| G10108..... | P59 | G10110..... | P260 | G10171..... | P265 | G10228..... | P159 |
| G10108..... | P67 | G10110..... | P282 | G10177..... | P146 | G10228..... | P159 |
| G10108..... | P69 | G10111..... | P12 | G10201..... | P19 | G10228..... | P232 |
| G10108..... | P69 | G10111..... | P34 | G10201..... | P24 | G10228..... | P237 |
| G10108..... | P71 | G10111..... | P38 | G10201..... | P67 | G10228..... | P239 |
| G10108..... | P73 | G10111..... | P38 | G10201..... | P69 | G10228..... | P239 |
| G10108..... | P77 | G10111..... | P83 | G10201..... | P105 | G10229..... | P12 |
| G10108..... | P85 | G10111..... | P85 | G10203..... | P146 | G10229..... | P26 |
| G10108..... | P87 | G10111..... | P99 | G10203..... | P260 | G10229..... | P30 |
| G10108..... | P105 | G10111..... | P105 | G10203..... | P282 | G10229..... | P36 |
| G10108..... | P109 | G10111..... | P131 | G10204..... | P8 | G10229..... | P142 |
| G10108..... | P123 | G10111..... | P139 | G10204..... | P10 | G10229..... | P143 |
| G10108..... | P127 | G10111..... | P145 | G10207..... | P4 | G10229..... | P146 |
| G10108..... | P129 | G10111..... | P146 | G10207..... | P61 | G10229..... | P146 |
| G10108..... | P130 | G10111..... | P161 | G10209..... | P16 | G10229..... | P205 |
| G10108..... | P135 | G10111..... | P181 | G10209..... | P71 | G10229..... | P239 |
| G10108..... | P137 | G10111..... | P211 | G10209..... | P73 | G10229..... | P239 |
| G10108..... | P143 | G10111..... | P215 | G10210..... | P130 | G10229..... | P241 |
| G10108..... | P153 | G10111..... | P228 | G10211..... | P245 | G10230..... | P6 |
| G10108..... | P157 | G10111..... | P228 | G10211..... | P260 | G10230..... | P6 |
| G10108..... | P159 | G10111..... | P229 | G10216..... | P10 | G10230..... | P10 |
| G10108..... | P162 | G10112..... | P140 | G10217..... | P99 | G10230..... | P12 |
| G10108..... | P174 | G10112..... | P214 | G10217..... | P127 | G10230..... | P59 |
| G10108..... | P206 | G10112..... | P274 | G10217..... | P129 | G10230..... | P73 |
| G10108..... | P228 | G10118..... | P133 | G10217..... | P133 | G10230..... | P105 |
| G10108..... | P228 | G10120..... | P167 | G10217..... | P228 | G10230..... | P115 |
| G10108..... | P241 | G10128..... | P145 | G10218..... | P274 | G10230..... | P133 |
| G10108..... | P245 | G10128..... | P147 | G10227..... | P79 | G10230..... | P133 |
| G10108..... | P265 | G10130..... | P66 | G10227..... | P88 | G10230..... | P146 |
| G10108..... | P282 | G10130..... | P144 | G10227..... | P147 | G10230..... | P153 |
| G10109..... | P10 | G10130..... | P239 | G10227..... | P151 | G10230..... | P157 |
| G10109..... | P12 | G10131..... | P144 | G10227..... | P232 | G10230..... | P228 |
| G10109..... | P36 | G10133..... | P12 | G10228..... | P10 | G10230..... | P237 |
| G10109..... | P38 | G10133..... | P36 | G10228..... | P18 | G10230..... | P239 |
| G10109..... | P65 | G10133..... | P38 | G10228..... | P38 | G10230..... | P239 |
| G10109..... | P107 | G10152..... | P286 | G10228..... | P38 | G10230..... | P246 |
| G10109..... | P159 | G10157..... | P127 | G10228..... | P40 | G10230..... | P265 |
| G10109..... | P265 | G10157..... | P129 | G10228..... | P63 | G10230..... | P274 |
| G10110..... | P32 | G10157..... | P133 | G10228..... | P63 | G10230..... | P286 |
| G10110..... | P85 | G10159..... | P153 | G10228..... | P65 | G10231..... | P237 |
| G10110..... | P87 | G10159..... | P154 | G10228..... | P66 | G10232..... | P143 |
| G10110..... | P105 | G10159..... | P155 | G10228..... | P85 | G10232..... | P151 |
| G10110..... | P111 | G10168..... | P154 | G10228..... | P87 | G10232..... | P151 |

| Part No. | Page | Part No. | Page | Part No. | Page | Part No. | Page |
|-------------|------|--------------|------|-------------|------|-------------|------|
| G10232..... | P228 | G10379..... | P235 | G10531..... | P265 | G10621..... | P71 |
| G10233..... | P65 | G10379..... | P235 | G10531..... | P268 | G10621..... | P73 |
| G10233..... | P143 | G10379..... | P265 | G10535..... | P66 | G10621..... | P88 |
| G10233..... | P145 | G10397..... | P139 | G10544..... | P159 | G10621..... | P139 |
| G10233..... | P235 | G10403..... | P85 | G10546..... | P14 | G10621..... | P209 |
| G10233..... | P239 | G10403..... | P87 | G10546..... | P29 | G10621..... | P214 |
| G10235..... | P143 | G10403..... | P111 | G10551..... | P4 | G10621..... | P215 |
| G10243..... | P235 | G10403..... | P124 | G10551..... | P61 | G10621..... | P268 |
| G10252..... | P161 | G10408..... | P232 | G10564..... | P40 | G10621..... | P268 |
| G10252..... | P215 | G10409..... | P232 | G10567..... | P14 | G10622..... | P8 |
| G10253..... | P111 | G10409..... | P239 | G10567..... | P29 | G10622..... | P16 |
| G10260..... | P28 | G10412..... | P143 | G10570..... | P29 | G10622..... | P42 |
| G10261..... | P28 | G10430..... | P144 | G10574..... | P34 | G10622..... | P73 |
| G10284..... | P59 | G10438..... | P4 | G10574..... | P38 | G10622..... | P211 |
| G10292..... | P238 | G10441..... | P140 | G10588..... | P235 | G10622..... | P282 |
| G10303..... | P65 | G10450..... | P228 | G10599..... | P12 | G10626..... | P236 |
| G10303..... | P142 | G10451..... | P40 | G10599..... | P67 | G10626..... | P237 |
| G10303..... | P143 | G10451..... | P59 | G10599..... | P71 | G10626..... | P239 |
| G10303..... | P145 | G10451..... | P235 | G10599..... | P73 | G10626..... | P274 |
| G10303..... | P239 | G10453..... | P144 | G10602..... | P14 | G10629..... | P237 |
| G10303..... | P286 | G10455..... | P146 | G10602..... | P29 | G10629..... | P239 |
| G10305..... | P26 | G10457..... | P135 | G10602..... | P143 | G10629..... | P274 |
| G10305..... | P105 | G10460..... | P147 | G10602..... | P146 | G10633..... | P237 |
| G10306..... | P143 | G10460..... | P153 | G10602..... | P230 | G10636..... | P137 |
| G10306..... | P228 | G10460..... | P154 | G10602..... | P232 | G10638..... | P235 |
| G10306..... | P241 | G10460..... | P155 | G10615..... | P239 | G10638..... | P268 |
| G10307..... | P67 | G10460..... | P233 | G10619..... | P236 | G10640..... | P153 |
| G10308..... | P12 | G10460..... | P235 | G10620..... | P4 | G10640..... | P155 |
| G10308..... | P16 | G10463..... | P59 | G10620..... | P14 | G10640..... | P157 |
| G10309..... | P14 | G10475..... | P22 | G10620..... | P24 | G10640..... | P228 |
| G10309..... | P59 | G10478..... | P239 | G10620..... | P26 | G10640..... | P235 |
| G10310..... | P32 | G10485..... | P237 | G10620..... | P42 | G10641..... | P146 |
| G10310..... | P69 | G10485..... | P274 | G10620..... | P69 | G10660..... | P29 |
| G10310..... | P268 | G10491..... | P169 | G10620..... | P71 | G10670..... | P24 |
| G10312..... | P4 | G10496..... | P66 | G10620..... | P73 | G10670..... | P26 |
| G10312..... | P24 | G10496..... | P145 | G10620..... | P75 | G10670..... | P30 |
| G10312..... | P26 | G10501..... | P38 | G10620..... | P79 | G10670..... | P235 |
| G10314..... | P155 | G10501..... | P143 | G10620..... | P105 | G10670..... | P239 |
| G10315..... | P32 | G10501..... | P239 | G10620..... | P109 | G10671..... | P130 |
| G10325..... | P8 | G10501..... | P239 | G10620..... | P121 | G10671..... | P137 |
| G10325..... | P24 | G10502X..... | P1 | G10620..... | P123 | G10672..... | P237 |
| G10325..... | P105 | G10503..... | P36 | G10620..... | P142 | G10674..... | P237 |
| G10326..... | P19 | G10503..... | P105 | G10620..... | P145 | G10674..... | P237 |
| G10330..... | P140 | G10503..... | P239 | G10620..... | P239 | G10674..... | P274 |
| G10338..... | P14 | G10504X..... | P57 | G10620..... | P286 | G10676..... | P100 |
| G10338..... | P69 | G10527..... | P145 | G10621..... | P14 | G10676..... | P101 |
| G10338..... | P121 | G10527..... | P146 | G10621..... | P16 | G10676..... | P266 |
| G10338..... | P123 | G10527..... | P147 | G10621..... | P26 | G10676..... | P269 |
| G10348..... | P38 | G10529..... | P117 | G10621..... | P30 | G10676..... | P272 |
| G10370..... | P142 | G10529..... | P119 | G10621..... | P32 | G10681..... | P181 |
| G10371..... | P38 | G10531..... | P28 | G10621..... | P59 | G10681..... | P238 |
| G10379..... | P235 | G10531..... | P42 | G10621..... | P69 | G10681..... | P282 |

| Part No. | Page | Part No. | Page | Part No. | Page | Part No. | Page |
|-------------|------|--------------|------|--------------|------|--------------|------|
| G10686..... | P162 | G10939..... | P159 | G11091..... | P106 | G11241..... | P268 |
| G10693..... | P241 | G10939..... | P174 | G11091..... | P121 | G11249..... | P42 |
| G10718..... | P59 | G10940..... | P10 | G11091..... | P121 | G11254..... | P140 |
| G10722..... | P159 | G10943..... | P79 | G11091..... | P123 | G11261..... | P119 |
| G10725..... | P159 | G10943..... | P107 | G11091..... | P123 | G11281..... | P22 |
| G10727..... | P162 | G10954..... | P213 | G11091..... | P161 | G11290..... | P127 |
| G10732..... | P6 | G10958..... | P174 | G11091..... | P203 | G11290..... | P129 |
| G10732..... | P59 | G10960..... | P42 | G11091..... | P207 | G11320..... | P75 |
| G10746..... | P107 | G10961..... | P42 | G11091..... | P236 | G11320..... | P107 |
| G10746..... | P127 | G10966..... | P32 | G11091..... | P265 | G11320..... | P107 |
| G10746..... | P129 | G10968..... | P66 | G11100..... | P147 | G11320..... | P107 |
| G10751..... | P6 | G10974..... | P36 | G11100..... | P232 | G11320..... | P163 |
| G10751..... | P59 | G10984X..... | P1 | G11105X..... | P22 | G11320..... | P246 |
| G10751..... | P143 | G10985X..... | P57 | G11106..... | P209 | G11320..... | P298 |
| G10752..... | P6 | G10991..... | P228 | G11106X..... | P22 | G11328..... | P117 |
| G10752..... | P14 | G10991..... | P241 | G11107X..... | P22 | G11332X..... | P22 |
| G10753..... | P4 | G10992..... | P151 | G11123..... | P42 | G11339..... | P117 |
| G10753..... | P69 | G10992..... | P151 | G11123..... | P79 | G11339..... | P161 |
| G10757..... | P32 | G10992..... | P213 | G11123..... | P213 | G11339..... | P213 |
| G10758..... | P32 | G10994..... | P238 | G11124..... | P75 | G11360..... | P115 |
| G10765..... | P36 | G11009..... | P16 | G11124..... | P79 | G11385..... | P29 |
| G10765..... | P135 | G11009..... | P22 | G11124..... | P112 | G11385..... | P32 |
| G10770..... | P174 | G11009..... | P71 | G11124..... | P129 | G11385..... | P40 |
| G10809..... | P135 | G11009..... | P73 | G11124..... | P205 | G11385..... | P85 |
| G10810..... | P137 | G11009..... | P121 | G11124..... | P213 | G11385..... | P87 |
| G10821..... | P146 | G11009..... | P123 | G11135..... | P181 | G11385..... | P88 |
| G10821..... | P232 | G11015..... | P4 | G11135..... | P265 | G11385..... | P105 |
| G10829..... | P213 | G11015..... | P61 | G11147..... | P83 | G11385..... | P107 |
| G10829..... | P237 | G11018..... | P18 | G11152X..... | P22 | G11385..... | P121 |
| G10844..... | P154 | G11018..... | P63 | G11153X..... | P22 | G11385..... | P123 |
| G10844..... | P159 | G11042X..... | P22 | G11154X..... | P22 | G11385..... | P161 |
| G10857..... | P245 | G11046X..... | P22 | G11160..... | P207 | G11385..... | P181 |
| G10860..... | P146 | G11047X..... | P22 | G11166..... | P163 | G11385..... | P214 |
| G10862..... | P105 | G11048X..... | P22 | G11166..... | P213 | G11385..... | P215 |
| G10864..... | P32 | G11065..... | P268 | G11166..... | P298 | G11385..... | P246 |
| G10870..... | P146 | G11066..... | P151 | G11172..... | P21 | G11385..... | P260 |
| G10871..... | P228 | G11066..... | P151 | G11182..... | P119 | G11385..... | P265 |
| G10880..... | P75 | G11067..... | P213 | G11188..... | P83 | G11385..... | P268 |
| G10890..... | P143 | G11073..... | P29 | G11188..... | P103 | G11386..... | P10 |
| G10901..... | P237 | G11075..... | P145 | G11202..... | P28 | G11386..... | P10 |
| G10901..... | P274 | G11078..... | P147 | G11202..... | P205 | G11386..... | P10 |
| G10907..... | P165 | G11078..... | P232 | G11202..... | P206 | G11386..... | P10 |
| G10909..... | P85 | G11091..... | P6 | G11202..... | P213 | G11386..... | P65 |
| G10909..... | P87 | G11091..... | P65 | G11203..... | P260 | G11386..... | P119 |
| G10909..... | P131 | G11091..... | P83 | G11209..... | P32 | G11386..... | P119 |
| G10923..... | P66 | G11091..... | P103 | G11215..... | P77 | G11386..... | P151 |
| G10923..... | P144 | G11091..... | P105 | G11215..... | P109 | G11386..... | P151 |
| G10923..... | P239 | G11091..... | P105 | G11220..... | P18 | G11386..... | P162 |
| G10932..... | P165 | G11091..... | P105 | G11223..... | P133 | G11386..... | P167 |
| G10939..... | P121 | G11091..... | P105 | G11228..... | P36 | G11386..... | P207 |
| G10939..... | P123 | G11091..... | P105 | G11236..... | P36 | G11386..... | P228 |
| G10939..... | P137 | G11091..... | P105 | G11237..... | P238 | G11387..... | P4 |

| Part No. | Page | Part No. | Page | Part No. | Page | Part No. | Page |
|----------|------|----------|------|----------|------|-------------|------|
| G11387 | P4 | G11389 | P229 | G11497 | P272 | G11958 | P16 |
| G11387 | P12 | G11389 | P232 | G11508 | P266 | G11960 | P205 |
| G11387 | P12 | G11389 | P237 | G11508 | P272 | G11960 | P206 |
| G11387 | P14 | G11391 | P12 | G11514 | P6 | G11961 | P205 |
| G11387 | P19 | G11391 | P18 | G11514 | P59 | G11966 | P235 |
| G11387 | P24 | G11391 | P40 | G11514 | P59 | G11976 | P6 |
| G11387 | P32 | G11391 | P63 | G11522 | P119 | G11976 | P59 |
| G11387 | P59 | G11391 | P127 | G11528 | P213 | G11998 | P26 |
| G11387 | P59 | G11391 | P129 | G11539 | P71 | G12002-35 | P99 |
| G11387 | P67 | G11391 | P130 | G11539 | P73 | G12002-35 | P276 |
| G11387 | P69 | G11391 | P135 | G11539 | P119 | G12002-60 | P99 |
| G11387 | P73 | G11391 | P140 | G11554 | P252 | G12003-20 | P259 |
| G11387 | P75 | G11391 | P143 | G11554 | P253 | G12003-20 | P265 |
| G11387 | P85 | G11391 | P153 | G11554 | P254 | G12015 | P99 |
| G11387 | P87 | G11391 | P157 | G11556 | P22 | G12039 | P99 |
| G11387 | P105 | G11391 | P159 | G11556 | P139 | G12068 | P276 |
| G11387 | P105 | G11391 | P161 | G11574 | P259 | G12081 | P259 |
| G11387 | P123 | G11391 | P213 | G11575 | P259 | G12081 | P265 |
| G11387 | P131 | G11391 | P228 | G11578 | P22 | G12215 | P235 |
| G11387 | P143 | G11391 | P229 | G11583 | P260 | G12215 | P235 |
| G11387 | P146 | G11391 | P233 | G11583 | P271 | G12216 | P235 |
| G11387 | P159 | G11392 | P36 | G11588 | P213 | G12217 | P235 |
| G11387 | P161 | G11392 | P140 | G11591 | P4 | G12217 | P235 |
| G11387 | P169 | G11392 | P214 | G11591 | P61 | G12218 | P235 |
| G11387 | P181 | G11396 | P127 | G11592 | P4 | G12222-35 | P276 |
| G11387 | P206 | G11396 | P129 | G11592 | P61 | *G15023 | P183 |
| G11387 | P211 | G11400 | P153 | G11618 | P21 | *G15082-77 | P183 |
| G11387 | P228 | G11400 | P155 | G11619 | P21 | *G15098-150 | P183 |
| G11387 | P239 | G11400 | P157 | G11619 | P22 | G16040 | P87 |
| G11387 | P241 | G11408 | P105 | G11687 | P28 | G1007301 | P117 |
| G11387 | P245 | G11409 | P215 | G11693 | P22 | G1077330 | P253 |
| G11387 | P265 | G11418 | P159 | G11698 | P259 | G10011101 | P6 |
| G11388 | P137 | G11418 | P213 | G11742 | P162 | G10011201 | P6 |
| G11389 | P18 | G11419 | P12 | G11793 | P29 | G10011301 | P59 |
| G11389 | P36 | G11445 | P28 | G11815 | P137 | G10011401 | P59 |
| G11389 | P40 | G11447 | P28 | G11848 | P75 | G10017201 | P117 |
| G11389 | P59 | G11448 | P22 | G11862 | P12 | G10018001 | P85 |
| G11389 | P63 | G11453 | P147 | G11874 | P130 | G10018501 | P85 |
| G11389 | P65 | G11453 | P232 | G11875 | P40 | G10018501 | P87 |
| G11389 | P71 | G11457 | P266 | G11921 | P79 | G10018801 | P8 |
| G11389 | P83 | G11457 | P269 | G11924 | P235 | G10019303 | P117 |
| G11389 | P85 | G11458 | P271 | G11929 | P42 | G10020001 | P286 |
| G11389 | P131 | G11460 | P252 | G11929 | P71 | G10020501 | P214 |
| G11389 | P135 | G11460 | P253 | G11929 | P73 | G10020601 | P214 |
| G11389 | P137 | G11460 | P254 | G11929 | P265 | G10028601 | P10 |
| G11389 | P139 | G11467 | P259 | G11942 | P235 | G10028701 | P10 |
| G11389 | P145 | G11467 | P271 | G11942 | P235 | G10028801 | P10 |
| G11389 | P161 | G11468 | P266 | G11942 | P235 | G10034401 | P214 |
| G11389 | P181 | G11468 | P269 | G11942 | P235 | G10034501 | P214 |
| G11389 | P215 | G11468 | P272 | G11950 | P235 | G10038601 | P4 |
| G11389 | P228 | G11473 | P235 | G11950 | P235 | G10038601 | P61 |
| G11389 | P228 | G11494 | P272 | G11950 | P235 | G10047601 | P103 |

| Part No. | Page | Part No. | Page | Part No. | Page | Part No. | Page |
|----------------|------|----------------|------|----------------|------|----------------|------|
| G10047801..... | P88 | G10242801..... | P224 | G10399301..... | P278 | G10609021..... | P245 |
| G10048201..... | P88 | G10243001..... | P209 | G10399801..... | P198 | G10609021..... | P250 |
| G10048301..... | P85 | G10252301..... | P139 | G10399901..... | P198 | G10611001..... | P276 |
| G10048301..... | P87 | G10257701..... | P211 | G10406601..... | P266 | G10612801..... | P269 |
| G10048401..... | P85 | G10258402..... | P4 | G10406701..... | P266 | G10614301..... | P22 |
| G10048401..... | P87 | G10258501..... | P61 | G10406701..... | P269 | G10614901..... | P103 |
| G10048501..... | P85 | G10267501..... | P42 | G10406701..... | P272 | G10615901..... | P103 |
| G10048501..... | P87 | G10267601..... | P42 | G10406801..... | P259 | G10615902..... | P103 |
| G10049501..... | P224 | G10269201..... | P221 | G10406801..... | P271 | G10616002..... | P103 |
| G10053801..... | P171 | G10269201..... | P224 | G10418802..... | P42 | G10616501..... | P283 |
| G10057501..... | P119 | G10286102..... | P224 | G10425601..... | P259 | G10616502..... | P250 |
| G10058001..... | P119 | G10288701..... | P92 | G10428401..... | P159 | G10616505..... | P245 |
| G10062101..... | P161 | G10288701..... | P198 | G10428601..... | P159 | G10616601..... | P283 |
| G10062201..... | P161 | G10300501..... | P87 | G10428701..... | P159 | G10616602..... | P245 |
| G10069801..... | P214 | G10300601..... | P87 | G10434301..... | P278 | G10616701..... | P283 |
| G10074001..... | P297 | G10302401..... | P42 | G10437901..... | P266 | G10616710..... | P245 |
| G10074701..... | P221 | G10302501..... | P119 | G10444801..... | P274 | G10616801..... | P283 |
| G10074801..... | P221 | G10316201..... | P203 | G10464101..... | P269 | G10616812..... | P245 |
| G10074801..... | P224 | G10316201..... | P217 | G10464101..... | P272 | G10617701..... | P177 |
| G10087001..... | P88 | G10316201..... | P221 | G10466101..... | P259 | G10617801..... | P42 |
| G10087001..... | P198 | G10316201..... | P224 | G10473901..... | P269 | G10618301..... | P260 |
| G10088301..... | P42 | G10318901..... | P212 | G10474501..... | P266 | G10629701..... | P259 |
| G10090401..... | P8 | G10322501..... | P10 | G10474701..... | P266 | G10629801..... | P260 |
| G10098201..... | P198 | G10329801..... | P14 | G10475701..... | P4 | G10629901..... | P260 |
| G10112902..... | P211 | G10331001..... | P95 | G10475701..... | P205 | G10631801..... | P276 |
| G10112902..... | P213 | G10331601..... | P221 | G10478801..... | P213 | G10632101..... | P259 |
| G10113001..... | P73 | G10331601..... | P224 | G10478901..... | P221 | G10636801..... | P260 |
| G10114001..... | P213 | G10333501..... | P198 | G10478901..... | P224 | G10640901..... | P178 |
| G10116601..... | P16 | G10333701..... | P92 | G10483101..... | P22 | G10649801..... | P224 |
| G10122301..... | P4 | G10333801..... | P198 | G10483101..... | P22 | G10663901..... | P260 |
| G10122301..... | P61 | G10334701..... | P10 | G10483201..... | P22 | G10664901..... | P22 |
| G10129501..... | P119 | G10334801..... | P10 | G10483401..... | P22 | G10665001..... | P22 |
| G10132501..... | P119 | G10334901..... | P10 | G10496401..... | P259 | G10665101..... | P22 |
| G10146001..... | P16 | G10335001..... | P10 | G10500901..... | P4 | G10673201..... | P274 |
| G10146001..... | P265 | G10335101..... | P10 | G10500901..... | P61 | G10673701..... | P274 |
| G10169501..... | P212 | G10335201..... | P10 | G10510201..... | P245 | G10674701..... | P265 |
| G10169701..... | P171 | G10336501..... | P181 | G10510201..... | P265 | G10681401..... | P259 |
| G10176901..... | P42 | G10337001..... | P178 | G10513001..... | P278 | G10681501..... | P269 |
| G10176901..... | P260 | G10337001..... | P224 | G10513101..... | P278 | G10692601..... | P129 |
| G10180301..... | P59 | G10339301..... | P198 | G10514101..... | P276 | G10692701..... | P127 |
| G10180301..... | P123 | G10367101..... | P75 | G10522501..... | P255 | G10692801..... | P140 |
| G10186001..... | P265 | G10367101..... | P289 | G10532101..... | P275 | G10692901..... | P140 |
| G10186901..... | P198 | G10367201..... | P295 | G10542204..... | P201 | G10693001..... | P140 |
| G10200501..... | P85 | G10371001..... | P73 | G10556101..... | P275 | G10695001..... | P245 |
| G10200501..... | P87 | G10371801..... | P151 | G10556201..... | P276 | G10695301..... | P252 |
| G10201101..... | P210 | G10371801..... | P296 | G10580101..... | P259 | G10695301..... | P253 |
| G10213601..... | P42 | G10371901..... | P291 | G10584701..... | P212 | G10695301..... | P254 |
| G10213601..... | P224 | G10383201..... | P162 | G10600701..... | P213 | G10695901..... | P245 |
| G10213602..... | P42 | G10398301..... | P266 | G10602501..... | P265 | G10695901..... | P250 |
| G10213602..... | P224 | G10398701..... | P259 | G10608701..... | P253 | G10695902..... | P250 |
| G10227601..... | P297 | G10398701..... | P261 | G10609002..... | P260 | G10696001..... | P137 |
| G10229401..... | P206 | G10399301..... | P276 | G10609007..... | P251 | G10698001..... | P221 |

| Part No. | Page | Part No. | Page | Part No. | Page | Part No. | Page |
|-----------|------|-----------|------|-----------|------|----------|------|
| G10702801 | P245 | G10821801 | P224 | G10952801 | P246 | GA0257 | P159 |
| G10702901 | P245 | G10827701 | P275 | G10963001 | P257 | GA0378 | P144 |
| G10709001 | P177 | G10829101 | P252 | G10974401 | P261 | GA1720 | P6 |
| G10709101 | P214 | G10829101 | P253 | G10974501 | P261 | GA1720 | P69 |
| G10712701 | P265 | G10829101 | P254 | G10974601 | P261 | GA2007 | P14 |
| G10713401 | P265 | G10829101 | P260 | G10975501 | P261 | GA2007 | P59 |
| G10713501 | P265 | G10829101 | P265 | G10975601 | P278 | GA2012L | P8 |
| G10713601 | P245 | G10829101 | P266 | G10975701 | P278 | GA2012R | P8 |
| G10713901 | P245 | G10829101 | P269 | G10975801 | P278 | GA2014 | P36 |
| G10715801 | P274 | G10829101 | P271 | G10975901 | P278 | GA2014 | P38 |
| G10724901 | P224 | G10829101 | P272 | G10976001 | P278 | GA2068 | P143 |
| G10734101 | P245 | G10829101 | P274 | G10976101 | P278 | GA2180 | P65 |
| G10735201 | P245 | G10832301 | P257 | G10976201 | P278 | GA3292 | P75 |
| G10737901 | P245 | G10832401 | P257 | G10976301 | P278 | GA3893 | P239 |
| G10738101 | P245 | G10832701 | P257 | G10976401 | P278 | GA4444 | P24 |
| G10738101 | P250 | G10833001 | P251 | G10976501 | P278 | GA4444 | P26 |
| G10739301 | P245 | G10833001 | P252 | G10976601 | P278 | GA4444 | P30 |
| G10740701 | P127 | G10833001 | P253 | G10976701 | P278 | GA4620 | P239 |
| G10741301 | P260 | G10833001 | P254 | G10976801 | P278 | GA4736 | P140 |
| G10764001 | P278 | G10833101 | P257 | G10976901 | P278 | GA4976 | P237 |
| G10764101 | P278 | G10835701 | P140 | G10977001 | P278 | GA4995 | P103 |
| G10771701 | P262 | G10840303 | P225 | G10977101 | P278 | GA5090 | P143 |
| G10771801 | P262 | G10840303 | P226 | G10977201 | P278 | GA5105 | P143 |
| G10771901 | P260 | G10840303 | P250 | G10977301 | P278 | GA5105 | P145 |
| G10772302 | P256 | G10840303 | P251 | G10977401 | P278 | GA5105 | P146 |
| G10772501 | P257 | G10840901 | P257 | G10983101 | P22 | GA5105 | P232 |
| G10772601 | P256 | G10851201 | P221 | G10983201 | P22 | GA5106 | P146 |
| G10773001 | P256 | G10851201 | P224 | G10983301 | P22 | GA5107 | P65 |
| G10773101 | P255 | G10864001 | P224 | G10984101 | P99 | GA5107 | P143 |
| G10773301 | P251 | G10864001 | P225 | G10984201 | P99 | GA5107 | P146 |
| G10773301 | P252 | G10864101 | P224 | G10984701 | P99 | GA5107 | P230 |
| G10773301 | P254 | G10864101 | P225 | G10984901 | P99 | GA5108 | P146 |
| G10773801 | P251 | G10864201 | P224 | G10985101 | P99 | GA5108 | P146 |
| G10773801 | P252 | G10864201 | P225 | G10985201 | P99 | GA5109 | P146 |
| G10773801 | P253 | G10864801 | P221 | G10985301 | P99 | GA5110 | P146 |
| G10773801 | P254 | G10864801 | P226 | G10985401 | P99 | GA5111 | P146 |
| G10805001 | P245 | G10864901 | P221 | G10985501 | P99 | GA5112 | P146 |
| G10814401 | P276 | G10864901 | P226 | G10986701 | P268 | GA5113 | P146 |
| G10817701 | P260 | G10884801 | P73 | G10986801 | P268 | GA5114 | P143 |
| G10820001 | P268 | G10884801 | P221 | G10986901 | P268 | GA5114 | P146 |
| G10820002 | P268 | G10884801 | P226 | G10987001 | P268 | GA5114 | P230 |
| G10820003 | P268 | G10887401 | P245 | G10987201 | P268 | GA5115 | P230 |
| G10820004 | P268 | G10887401 | P250 | G10987302 | P265 | GA5116 | P146 |
| G10820005 | P268 | G10887402 | P245 | G10987601 | P265 | GA5121 | P105 |
| G10820006 | P268 | G10887501 | P250 | G10991001 | P268 | GA5121 | P137 |
| G10820007 | P268 | G10898401 | P215 | G10991201 | P59 | GA5146 | P146 |
| G10820008 | P268 | G10923501 | P183 | G10991301 | P59 | GA5157 | P142 |
| G10820009 | P268 | G10928301 | P140 | G10991401 | P275 | GA5164 | P144 |
| G10820010 | P268 | G10936101 | P22 | G10992701 | P282 | GA5164 | P286 |
| G10820011 | P268 | G10938301 | P215 | G11007101 | P255 | GA5165 | P144 |
| G10820012 | P268 | G10943101 | P255 | G11009001 | P274 | GA5194 | P239 |
| G10820013 | P268 | G10944501 | P282 | GA0245 | P159 | GA5223 | P230 |

| Part No. | Page | Part No. | Page | Part No. | Page | Part No. | Page |
|----------|------|----------|------|----------|------|----------|------|
| GA5229 | P230 | GA8022 | P217 | GA10918 | P189 | GA14446 | P98 |
| GA5552 | P170 | GA8046 | P205 | GA10924 | P203 | GA14446 | P187 |
| GA5600 | P205 | GA8047 | P203 | GA11024 | P239 | GA14446 | P189 |
| GA5624 | P146 | GA8047 | P205 | GA11079 | P133 | GA14446 | P195 |
| GA5629 | P146 | GA8092 | P66 | GA11331 | P65 | GA14600 | P77 |
| GA5654 | P36 | GA8135 | P206 | GA11331 | P286 | GA14600 | P109 |
| GA5654 | P38 | GA8326 | P29 | GA11971 | P59 | GA14804 | P151 |
| GA5917 | P236 | GA8328 | P77 | GA11982 | P18 | GA14804 | P259 |
| GA6147 | P206 | GA8328 | P149 | GA11982 | P63 | GA14805 | P77 |
| GA6171 | P10 | GA8329 | P77 | GA11988 | P151 | GA14805 | P107 |
| GA6171 | P12 | GA8329 | P149 | GA11991 | P151 | GA14813 | P259 |
| GA6171 | P12 | GA8364 | P29 | GA11992 | P151 | GA14822 | P105 |
| GA6171 | P12 | GA8366 | P24 | GA11997 | P151 | GA14846 | P149 |
| GA6337 | P230 | GA8366 | P29 | GA12104 | P151 | GA14847 | P77 |
| GA6418 | P127 | GA8371 | P26 | GA12108 | P228 | GA14847 | P109 |
| GA6418 | P129 | GA8371 | P30 | GA12109 | P228 | GA15151 | P159 |
| GA6422 | P135 | GA8603 | P34 | GA12143 | P14 | GA15197 | P12 |
| GA6434 | P12 | GA8603 | P228 | GA12163 | P133 | GA15422 | P163 |
| GA6497 | P137 | GA8641 | P34 | GA12164 | P133 | GA15422 | P298 |
| GA6514 | P146 | GA8760 | P36 | GA12178 | P145 | GA15473 | P28 |
| GA6579 | P232 | GA8882 | P165 | GA12235 | P36 | GA15485 | P16 |
| GA6597 | P12 | GA8888 | P165 | GA12236 | P36 | GA15485 | P42 |
| GA6741 | P32 | GA8911 | P137 | GA12236 | P38 | GA15485 | P71 |
| GA6832 | P38 | GA8911 | P174 | GA12330 | P241 | GA16082 | P205 |
| GA6833 | P38 | GA8911 | P183 | GA12358 | P151 | GA16157 | P236 |
| GA6834 | P38 | GA8931 | P242 | GA12403 | P205 | GA16374 | P69 |
| GA6838 | P38 | GA9144 | P205 | GA12626 | P151 | GA16391 | P149 |
| GA6849 | P137 | GA9433 | P228 | GA12641 | P268 | GA16391 | P217 |
| GA6859 | P153 | GA9434 | P228 | GA12767 | P75 | GA16391 | P221 |
| GA6884 | P168 | GA9437 | P228 | GA12812 | P77 | GA16428 | P236 |
| GA6884 | P168 | GA9559 | P135 | GA12812 | P109 | GA17034 | P105 |
| GA6884 | P183 | GA9559 | P174 | GA12812 | P149 | GA17113 | P88 |
| GA6906 | P32 | GA9559 | P183 | GA12812 | P217 | GA17113 | P187 |
| GA6966 | P228 | GA9820 | P228 | GA12813 | P149 | GA17113 | P189 |
| GA6978 | P149 | GA9846 | P143 | GA12858 | P149 | GA17426 | P175 |
| GA7022 | P135 | GA9963 | P149 | GA12858 | P217 | GA17547 | P149 |
| GA7154 | P65 | GA9964 | P77 | GA13169 | P151 | GA17547 | P205 |
| GA7154 | P239 | GA9964 | P149 | GA13204 | P214 | GA17547 | P217 |
| GA7270 | P32 | GA9978 | P205 | GA13512 | P151 | GA18195 | P28 |
| GA7336 | P146 | GA9978 | P205 | GA13521 | P206 | GA18353 | P215 |
| GA7336 | P232 | GA10030 | P232 | GA13551 | P109 | GA18486 | P207 |
| GA7375 | P236 | GA10047 | P228 | GA13551 | P203 | GA18576 | P282 |
| GA7841 | P147 | GA10048 | P228 | GA13665 | P133 | GA18720 | P245 |
| GA7850 | P205 | GA10151 | P69 | GA13673 | P133 | GA18933 | P73 |
| GA7850 | P217 | GA10157 | P4 | GA13783 | P133 | GA19432 | P111 |
| GA7853 | P205 | GA10603 | P239 | GA13944 | P149 | GA19432 | P185 |
| GA7853 | P217 | GA10799 | P77 | GA13944 | P217 | GA19432 | P193 |
| GA7854 | P205 | GA10799 | P109 | GA13986 | P103 | GA20111 | P22 |
| GA7855 | P205 | GA10918 | P85 | GA14041 | P105 | GA20270 | P80 |
| GA7857 | P205 | GA10918 | P111 | GA14049 | P236 | GA20271 | P80 |
| GA7859 | P205 | GA10918 | P124 | GA14112 | P236 | GA20272 | P80 |
| GA7859 | P217 | GA10918 | P185 | GA14127 | P151 | GA20283 | P88 |

| Part No. | Page | Part No. | Page | Part No. | Page | Part No. | Page |
|-------------|------|-------------|------|------------|------|----------|------|
| GA20622 | P22 | GA22554-375 | P219 | GA24857 | P168 | GA25717 | P137 |
| GA20640 | P14 | GA22555-20 | P219 | GA24873 | P20 | GA25722 | P135 |
| GA20640 | P121 | GA22555-90 | P219 | GA24877 | P22 | GA25725 | P137 |
| GA20640 | P123 | GA22555-94 | P219 | GA24878 | P22 | GA25733 | P105 |
| GA20688 | P137 | GA22555-115 | P219 | GA24889 | P59 | GA25735 | P83 |
| GA20710 | P28 | GA22556-91 | P219 | GA24891 | P183 | GA25736 | P83 |
| GA20711 | P221 | GA22556-100 | P219 | GA24921 | P183 | GA25737 | P83 |
| GA20712 | P26 | GA22556-134 | P219 | GA25029 | P16 | GA25749 | P228 |
| GA20712 | P73 | GA22793 | P151 | GA25029 | P71 | GA25753 | P235 |
| GA20712 | P221 | GA22793 | P151 | GA25029 | P73 | GA25755 | P139 |
| GA20732 | P255 | GA22901 | P111 | GA25029 | P221 | GA25757 | P235 |
| GA20822 | P170 | GA22901 | P185 | GA25030 | P221 | GA25758 | P235 |
| GA20902 | P205 | GA22901 | P193 | GA25030 | P224 | GA25760 | P131 |
| GA20903 | P210 | GA24239 | P34 | GA25031 | P221 | GA25774 | P203 |
| GA20914 | P16 | GA24281 | P209 | GA25031 | P224 | GA25775 | P139 |
| GA20914 | P71 | GA24284 | P209 | GA25032 | P221 | GA25775 | P203 |
| GA20914 | P73 | GA24285 | P209 | GA25032 | P224 | GA25776 | P139 |
| GA21067 | P80 | GA24364 | P28 | GA25033 | P221 | GA25776 | P203 |
| GA21067 | P80 | GA24365 | P105 | GA25033 | P224 | GA25785 | P217 |
| GA21067 | P81 | GA24366 | P105 | GA25038 | P16 | GA25857 | P181 |
| GA21067 | P172 | GA24373 | P65 | GA25039 | P71 | GA25857 | P200 |
| GA21143 | P209 | GA24374 | P105 | GA25067 | P105 | GA25890 | P103 |
| GA21151 | P210 | GA24376 | P105 | GA25084 | P71 | GA25891 | P127 |
| GA21152 | P210 | GA24377 | P105 | GA25084 | P73 | GA25891 | P129 |
| GA21158 | P166 | GA24381 | P83 | GA25107 | P127 | GA25892 | P232 |
| GA21158 | P183 | GA24381 | P103 | GA25107 | P129 | GA25893 | P129 |
| GA21159 | P166 | GA24381 | P105 | GA25170 | P221 | GA25902 | P235 |
| GA21190 | P97 | GA24414 | P107 | GA25207 | P221 | GA25905 | P139 |
| GA21239 | P233 | GA24415 | P124 | GA25257 | P40 | GA25908 | P235 |
| GA21309 | P121 | GA24422 | P127 | GA25258 | P40 | GA25909 | P235 |
| GA21309 | P123 | GA24426 | P75 | GA25261 | P40 | GA25913 | P139 |
| GA21406 | P77 | GA24426 | P112 | GA25261 | P200 | GA25914 | P139 |
| GA21406 | P109 | GA24426 | P185 | GA25264 | P40 | GA25919 | P154 |
| GA21450 | P71 | GA24429 | P112 | GA25264 | P200 | GA25919 | P155 |
| GA21456 | P260 | GA24449 | P162 | GA25265 | P200 | GA25922 | P135 |
| GA21482 | P123 | GA24487-100 | P219 | GA25289 | P181 | GA25949 | P16 |
| GA21510 | P75 | GA24488-27 | P219 | GA25289 | P200 | GA25949 | P42 |
| GA21510 | P79 | GA24488-64 | P219 | GA25304 | P121 | GA25949 | P71 |
| GA21515 | P4 | GA24488-96 | P219 | GA25304 | P123 | GA25949 | P73 |
| GA21515 | P205 | GA24495 | P167 | GA25388 | P75 | GA25949 | P265 |
| GA21614 | P260 | GA24496 | P167 | GA25388 | P79 | GA26076 | P127 |
| GA21676 | P10 | GA24507 | P107 | GA25388 | P112 | GA26104 | P117 |
| GA21677 | P10 | GA24605 | P207 | GA25397 | P79 | GA26111 | P127 |
| GA21687 | P215 | GA24605 | P217 | GA25399-36 | P209 | GA26111 | P129 |
| GA22273 | P151 | GA24676 | P22 | GA25399-36 | P219 | GA26164 | P198 |
| GA22522 | P26 | GA24694 | P137 | GA25401 | P40 | GA26267 | P106 |
| GA22522 | P221 | GA24694 | P165 | GA25406 | P219 | GA26272 | P106 |
| GA22547 | P207 | GA24694 | P183 | GA25434 | P79 | GA26287 | P24 |
| GA22547 | P221 | GA24695 | P165 | GA25435 | P79 | GA26287 | P26 |
| GA22547 | P224 | GA24715 | P185 | GA25437 | P209 | GA26287 | P30 |
| GA22554-265 | P219 | GA24752 | P22 | GA25550 | P22 | GA26297 | P61 |
| GA22554-325 | P219 | GA24758 | P105 | GA25606 | P87 | GA26330 | P28 |

| Part No. | Page | Part No. | Page | Part No. | Page | Part No. | Page |
|------------|------|----------|------|----------|------|--------------|------|
| GA26331 | P26 | GB0115 | P29 | GB0428 | P123 | GB1218 | P42 |
| GA26398 | P75 | GB0116 | P29 | GB0430 | P117 | GB1223 | P6 |
| GA26527 | P153 | GB0156 | P127 | GB0430 | P121 | GB1223 | P59 |
| GA26527 | P155 | GB0156 | P129 | GB0430 | P123 | GB1224 | P6 |
| GA26528 | P153 | GB0186 | P6 | GB0431 | P115 | GB1224 | P6 |
| GA26528 | P155 | GB0198 | P235 | GB0431 | P117 | GB1224 | P59 |
| GA26673 | P212 | GB0199 | P235 | GB0444 | P117 | GB1224 | P59 |
| GA26709 | P178 | GB0200 | P235 | GB0455 | P121 | GB1249 | P101 |
| GA26742 | P161 | GB0218 | P135 | GB0455 | P123 | GB1313 | P101 |
| GA26746 | P161 | GB0218 | P142 | GB0464 | P36 | GB1313 | P121 |
| GA26839 | P212 | GB0230 | P137 | GB0554 | P159 | GB1313 | P123 |
| GA26876 | P159 | GB0239 | P12 | GB0577 | P28 | GD0453-02 | P155 |
| GA26884 | P221 | GB0254 | P12 | GB0579 | P28 | GD0746 | P159 |
| GA26884 | P224 | GB0259 | P147 | GB0673 | P119 | GD0840 | P159 |
| GA26885 | P207 | GB0265 | P4 | GB0675 | P119 | GD0914-12.50 | P65 |
| GA26885 | P221 | GB0266 | P4 | GB0676 | P22 | GD0914-210 | P144 |
| GA26885 | P224 | GB0266 | P61 | GB0697 | P21 | GD0914-215 | P65 |
| GA26886 | P221 | GB0267 | P4 | GB0717 | P121 | GD1026 | P19 |
| GA26886 | P224 | GB0267 | P61 | GB0717 | P123 | GD1026 | P24 |
| GA26909 | P159 | GB0268 | P12 | GB0780 | P21 | GD1026 | P67 |
| GA26920 | P8 | GB0274 | P4 | GB0815 | P21 | GD1026 | P69 |
| GA26924-01 | P294 | GB0274 | P61 | GB0818 | P22 | GD1026 | P142 |
| GA26924-02 | P294 | GB0276 | P10 | GB0823 | P21 | GD1026 | P146 |
| GA26924-03 | P294 | GB0278 | P14 | GB0827 | P100 | GD1026 | P228 |
| GA26924-04 | P294 | GB0278 | P29 | GB0901 | P121 | GD1059L | P26 |
| GA26924-05 | P294 | GB0282 | P12 | GB0901 | P123 | GD1059L | P30 |
| GA26924-06 | P294 | GB0287 | P144 | GB0905 | P119 | GD1059R | P26 |
| GA26924-08 | P294 | GB0296 | P228 | GB0907 | P22 | GD1059R | P30 |
| GA26924-09 | P294 | GB0314 | P6 | GB0920 | P22 | GD1060 | P26 |
| GA26924-10 | P294 | GB0314 | P59 | GB0921 | P22 | GD1060 | P30 |
| GA26924-11 | P294 | GB0322 | P228 | GB0926 | P16 | GD1061 | P29 |
| GA26924-12 | P201 | GB0323 | P228 | GB0926 | P22 | GD1063 | P29 |
| GA26924-13 | P201 | GB0331 | P14 | GB0926 | P71 | GD1065 | P19 |
| GA26958 | P12 | GB0331 | P69 | GB0926 | P73 | GD1085 | P12 |
| GA26989 | P22 | GB0331 | P121 | GB0926 | P121 | GD1109 | P12 |
| GA27032 | P140 | GB0331 | P123 | GB0926 | P123 | GD1113 | P6 |
| GA27037 | P235 | GB0366 | P6 | GB0958 | P22 | GD1113 | P59 |
| GA27038 | P36 | GB0383 | P36 | GB0968 | P67 | GD1113 | P73 |
| GA27095 | P142 | GB0387 | P36 | GB0968 | P69 | GD1113 | P115 |
| GA27105 | P187 | GB0387 | P38 | GB1090 | P205 | GD1113 | P228 |
| GA27105 | P189 | GB0389 | P63 | GB1090 | P205 | GD1113 | P229 |
| GA27124 | P235 | GB0390 | P63 | GB1090 | P205 | GD1113 | P233 |
| GA27146 | P178 | GB0391 | P63 | GB1147 | P21 | GD1113 | P239 |
| GA27156 | P117 | GB0392 | P63 | GB1190 | P33 | GD1113 | P246 |
| GA27157 | P117 | GB0393 | P18 | GB1195 | P117 | GD1113 | P265 |
| GA27158 | P117 | GB0395 | P18 | GB1196 | P117 | GD1113 | P274 |
| GA27159 | P117 | GB0396 | P18 | GB1197 | P117 | GD1114 | P59 |
| GA27169 | P103 | GB0397 | P18 | GB1199 | P117 | GD1132 | P36 |
| GA27170 | P103 | GB0397 | P63 | GB1201 | P117 | GD1132 | P38 |
| GA27174 | P83 | GB0400 | P228 | GB1203 | P117 | GD1200 | P235 |
| GA27176 | P103 | GB0405 | P228 | GB1204 | P117 | GD1207 | P235 |
| GA27185 | P215 | GB0428 | P121 | GB1206 | P119 | GD1255 | P144 |

| Part No. | Page | Part No. | Page | Part No. | Page | Part No. | Page |
|--------------|------|-------------|------|------------|------|------------|------|
| GD1256 | P144 | GD5827 | P142 | GD9120 | P12 | GD11558 | P228 |
| GD1512 | P209 | GD5827 | P145 | GD9129-01 | P115 | GD11579 | P165 |
| GD1512 | P294 | GD5830 | P147 | GD9254 | P34 | GD11649 | P59 |
| GD1514 | P236 | GD5835 | P146 | GD9695 | P59 | GD11677 | P34 |
| GD1515 | P236 | GD5857 | P38 | GD9715 | P38 | GD11700 | P238 |
| GD1516 | P236 | GD5857 | P135 | GD9720 | P38 | GD11721 | P83 |
| GD1517 | P236 | GD5857 | P142 | GD9724 | P36 | GD11721 | P139 |
| GD1719 | P239 | GD5857 | P146 | GD9724 | P38 | GD11721 | P151 |
| GD1747 | P237 | GD5857 | P232 | GD10036 | P6 | GD11751 | P153 |
| GD1862 | P235 | GD5857 | P239 | GD10036 | P18 | GD11950 | P174 |
| GD1862 | P236 | GD5875 | P153 | GD10057-20 | P177 | GD11962 | P19 |
| GD1862 | P274 | GD5875 | P157 | GD10110 | P237 | GD11962 | P24 |
| GD2117 | P294 | GD5886 | P233 | GD10283 | P159 | GD11999 | P174 |
| GD2161 | P154 | GD5961 | P233 | GD10519 | P36 | GD12101 | P166 |
| GD2161 | P155 | GD6279-03 | P181 | GD10532 | P137 | GD12103 | P165 |
| GD2169 | P137 | GD6291 | P26 | GD10544 | P209 | GD12239 | P165 |
| GD2199 | P139 | GD6291 | P26 | GD10918 | P187 | GD12501 | P174 |
| GD2199 | P288 | GD6291 | P203 | GD10963 | P32 | GD12502 | P174 |
| GD2423 | P32 | GD6551 | P146 | GD10984 | P32 | GD12510 | P166 |
| GD2548-10.25 | P233 | GD6825-10.5 | P143 | GD10991 | P10 | GD12561 | P20 |
| GD2548-10.75 | P233 | GD7127 | P146 | GD10993 | P4 | GD12676 | P228 |
| GD2558 | P115 | GD7127 | P232 | GD10993 | P61 | GD12677 | P228 |
| GD2558 | P143 | GD7137 | P135 | GD11001 | P4 | GD12679 | P228 |
| GD2558 | P145 | GD7145 | P85 | GD11045 | P66 | GD12685 | P228 |
| GD2558 | P146 | GD7148 | P29 | GD11045 | P144 | GD13170 | P174 |
| GD2558 | P230 | GD7258 | P29 | GD11045 | P239 | GD13172 | P174 |
| GD2558 | P232 | GD7318 | P19 | GD11089 | P203 | GD13173 | P174 |
| GD2597 | P159 | GD7426 | P142 | GD11089 | P206 | GD13287 | P139 |
| GD2721 | P154 | GD7426 | P146 | GD11123 | P237 | GD13287 | P228 |
| GD2721 | P155 | GD7803 | P34 | GD11123 | P274 | GD13287 | P229 |
| GD2734-18 | P232 | GD7804 | P34 | GD11124 | P237 | GD13302 | P165 |
| GD2947 | P32 | GD7822 | P146 | GD11124 | P274 | GD13303 | P165 |
| GD2971-10 | P24 | GD7867 | P233 | GD11158 | P239 | GD13348 | P205 |
| GD2971-24 | P69 | GD7870 | P232 | GD11218 | P67 | GD13400 | P174 |
| GD2971-26 | P8 | GD8189 | P127 | GD11218 | P69 | GD13425 | P174 |
| GD2984 | P294 | GD8189 | P129 | GD11219 | P24 | GD14217 | P6 |
| GD2984 | P294 | GD8189 | P137 | GD11239 | P14 | GD14258 | P149 |
| GD3180-05 | P167 | GD8306 | P66 | GD11239 | P29 | GD14413 | P146 |
| GD3180-28 | P105 | GD8306 | P105 | GD11240 | P29 | GD14427 | P146 |
| GD3180-30 | P18 | GD8306 | P161 | GD11259 | P4 | GD14431 | P146 |
| GD3180-30 | P63 | GD8306 | P181 | GD11259 | P61 | GD14432 | P146 |
| GD3612 | P4 | GD8306 | P211 | GD11264 | P59 | GD14626 | P100 |
| GD3612 | P61 | GD8306 | P215 | GD11279 | P20 | GD14660 | P149 |
| GD4743 | P124 | GD8306 | P265 | GD11297 | P29 | GD14671 | P140 |
| GD4743 | P135 | GD8460 | P12 | GD11305 | P24 | GD14671 | P161 |
| GD4743 | P163 | GD8751 | P205 | GD11305 | P29 | GD15100 | P133 |
| GD4743 | P215 | GD8770 | P205 | GD11306 | P8 | GD15386 | P153 |
| GD4887-01 | P145 | GD8771 | P205 | GD11413 | P14 | GD15386 | P157 |
| GD5625 | P105 | GD8893-01 | P67 | GD11413 | P29 | GD15538 | P146 |
| GD5752 | P143 | GD8893-01 | P69 | GD11424 | P26 | GD15725 | P133 |
| GD5753 | P143 | GD8893-07 | P130 | GD11424 | P30 | GD15792-13 | P100 |
| GD5756 | P142 | GD9047 | P147 | GD11474 | P205 | GD15804 | P77 |
| GD5756 | P146 | GD9047 | P286 | GD11557 | P228 | GD15804 | P109 |

| Part No. | Page | Part No. | Page | Part No. | Page | Part No. | Page |
|----------|------|-------------|------|-----------|------|----------|------|
| GD29321 | P169 | GD34098 | P73 | GD35837 | P71 | GR0880 | P229 |
| GD29413 | P16 | GD34103 | P73 | GD35838 | P69 | GR0881 | P229 |
| GD29413 | P69 | GD34103 | P77 | GD35838 | P71 | GR0882 | P229 |
| GD29413 | P71 | GD34104 | P135 | GD35844 | P117 | GR0883 | P229 |
| GD29413 | P119 | GD34287 | P153 | GD35857 | P117 | GR0912 | P141 |
| GD29413 | P121 | GD34372 | P113 | GD35858 | P119 | GR0912 | P144 |
| GD29423 | P32 | GD34701 | P103 | GD35903 | P75 | GR0912 | P144 |
| GD29459 | P57 | GD34702 | P103 | GD35928 | P195 | GR0912 | P229 |
| GD29491 | P28 | GD34763 | P153 | GD35929 | P109 | GR1015 | P227 |
| GD29492 | P28 | GD34774 | P22 | GD35929 | P122 | GR1016 | P227 |
| GD29507 | P14 | GD35037 | P103 | GD35937 | P225 | GR1017 | P227 |
| GD29625 | P250 | GD35058 | P16 | GD36260 | P225 | GR1018 | P227 |
| GD29625 | P252 | GD35126 | P103 | GD36277 | P32 | GR1019 | P227 |
| GD29625 | P272 | GD35127 | P128 | GD36333 | P28 | GR1035 | P168 |
| GD29657 | P22 | GD35216 | P197 | GD36388 | P16 | GR1037 | P77 |
| GD29689 | P164 | *GD35274-01 | P117 | GD36388 | P69 | GR1037 | P77 |
| GD29709 | P235 | GD35294 | P73 | GD36388 | P71 | GR1037 | P168 |
| GD29709 | P240 | GD35294 | P77 | GD36680 | P201 | GR1045 | P167 |
| GD29709 | P241 | GD35340 | P128 | GD36681 | P201 | GR1045 | P168 |
| GD29709 | P250 | GD35444 | P8 | GD36682 | P201 | GR1045 | P168 |
| GD29709 | P252 | GD35446 | P78 | GD36709 | P10 | GR1104 | P231 |
| GD29798 | P4 | GD35447 | P73 | GD36713 | P10 | GR1112 | P231 |
| GD29798 | P119 | GD35447 | P77 | GD36723 | P197 | GR1116 | P231 |
| GD30221 | P160 | GD35448 | P73 | GD36724 | P197 | GR1118 | P231 |
| GD30262 | P200 | GD35448 | P77 | GD36727 | P159 | GR1120 | P231 |
| GD30500 | P173 | GD35449 | P69 | GD36820 | P201 | GR1122 | P229 |
| GD30571 | P78 | GD35449 | P71 | GD36821 | P200 | GR1123 | P231 |
| GD30624 | P276 | GD35465 | P197 | GD36822 | P200 | GR1124 | P231 |
| GD30631 | P163 | GD35609 | P16 | GD36856 | P8 | GR1134 | P231 |
| GD30697 | P163 | GD35609 | P40 | GD36860 | P8 | GR1281 | P166 |
| GD30722 | P160 | GD35609 | P69 | GD36870 | P115 | GR1282 | P166 |
| GD30723 | P160 | GD35609 | P71 | GD36878 | P276 | GR1289 | P166 |
| GD30725 | P8 | GD35609 | P255 | GD36879 | P276 | GR1292 | P28 |
| GD30725 | P36 | GD35628 | P69 | GD36895 | P12 | GR1363 | P147 |
| GD30726 | P16 | GD35628 | P71 | GD36975 | P167 | GR1389 | P231 |
| GD30859 | P135 | GD35629 | P16 | GD36990 | P8 | GR1405 | P64 |
| GD30882 | P77 | GD35629 | P40 | GD37001 | P117 | GR1406 | P64 |
| GD31435 | P95 | GD35629 | P69 | GD37049 | P115 | GR1407 | P64 |
| GD31450 | P143 | GD35629 | P71 | GD37053 | P135 | GR1408 | P64 |
| GD33511 | P79 | GD35667 | P225 | GD37066 | P105 | GR1409 | P64 |
| GD33511 | P170 | GD35678 | P142 | GR0146 | P287 | GR1410 | P64 |
| GD33595 | P103 | GD35684 | P225 | GR0146MPP | P287 | GR1411 | P64 |
| GD33756 | P197 | GD35713 | P137 | GR0150 | P157 | GR1412 | P64 |
| GD33757 | P197 | GD35717 | P225 | GR0151 | P157 | GR1413 | P64 |
| GD33758 | P197 | GD35724 | P127 | GR0193 | P135 | GR1414 | P193 |
| GD33759 | P197 | GD35725 | P127 | GR0196 | P4 | GR1415 | P194 |
| GD33953 | P103 | GD35726 | P129 | GR0196 | P29 | GR1466 | P83 |
| GD33958 | P103 | GD35729 | P137 | GR0196 | P57 | GR1466 | P83 |
| GD34015 | P125 | GD35732 | P218 | GR0196 | P119 | GR1466 | P83 |
| GD34015 | P127 | GD35743 | P137 | GR0196 | P121 | GR1526 | P172 |
| GD34015 | P135 | GD35836 | P69 | GR0375 | P135 | GR1533 | P232 |
| GD34071 | P103 | GD35836 | P71 | GR0508 | P226 | GR1535 | P232 |
| GD34081 | P135 | GD35837 | P69 | GR0586 | P193 | GR1540 | P232 |

| Part No. | Page | Part No. | Page | Part No. | Page | Part No. | Page |
|-----------------|------|---------------|------|----------|------|----------|------|
| GR1541 | P232 | **R1040 | P168 | | | | |
| GR1542 | P232 | **R1041 | P168 | | | | |
| GR1543 | P231 | **R1042 | P168 | | | | |
| GR1543 | P232 | *R1043..... | P168 | | | | |
| GR1544 | P232 | *R1044..... | P168 | | | | |
| GR1545 | P232 | **R1046 | P168 | | | | |
| GR1570MPP | P287 | *R1047..... | P168 | | | | |
| GR1574 | P232 | **R1048 | P168 | | | | |
| GR1598 | P172 | | | | | | |
| GR1708 | P226 | | | | | | |
| GR1734 | P77 | | | | | | |
| GR1736 | P75 | | | | | | |
| GR1736 | P75 | | | | | | |
| GR1762 | P193 | | | | | | |
| GR1763 | P194 | | | | | | |
| GR1777 | P75 | | | | | | |
| GR1777 | P105 | | | | | | |
| GR1777 | P107 | | | | | | |
| GR1778 | P149 | | | | | | |
| GR1795 | P231 | | | | | | |
| GR1797 | P231 | | | | | | |
| GR1799 | P231 | | | | | | |
| GR1801 | P231 | | | | | | |
| GR1802 | P231 | | | | | | |
| GR1804 | P231 | | | | | | |
| GR1805 | P231 | | | | | | |
| GR1806 | P231 | | | | | | |
| GR1808 | P231 | | | | | | |
| GR1842MPP | P287 | | | | | | |
| GR1843 | P149 | | | | | | |
| GR1921 | P149 | | | | | | |
| GR1941 | P226 | | | | | | |
| GR1943 | P149 | | | | | | |
| GR1951 | P149 | | | | | | |
| GR2003 | P231 | | | | | | |
| GR2035 | P168 | | | | | | |
| GR2126 | P201 | | | | | | |
| GR2127MPP | P287 | | | | | | |
| GR2185 | P231 | | | | | | |
| GR2193 | P166 | | | | | | |
| GR2194 | P166 | | | | | | |
| GR2229 | P164 | | | | | | |
| GR2233 | P149 | | | | | | |
| GR2240MPP | P287 | | | | | | |
| GR2241MPP | P287 | | | | | | |
| GR2266 | P166 | | | | | | |
| GR2274 | P163 | | | | | | |
| *R1032..... | P168 | | | | | | |
| *R1033..... | P168 | | | | | | |
| *R1034..... | P168 | | | | | | |
| *R1036..... | P168 | | | | | | |
| **R1038 | P168 | | | | | | |
| **R1039 | P168 | | | | | | |