

DUAL AUGER GRAIN CARTS

PARTS MANUAL

(1121)

M0315-02

Rev. 4/26

This manual applies to: 2022 Production and on

Record the model number and serial number of your planter along with date purchased:

Serial Number _____

Date Purchased _____

Information in this manual was current at time of printing. However, due to Kinze's ongoing product improvement, production changes may cause your machine to appear slightly different in detail. Kinze Manufacturing, Inc. reserves the right to change specifications or design without notice and without incurring obligation to install the same on machines previously manufactured.

Right hand (R.H.) and left hand (L.H.), as used throughout this manual, are determined by facing in the direction the machine will travel when in use, unless otherwise stated.

This page left blank intentionally.

DRIVE COMPONENTS

PTO Assembly - 1 $\frac{3}{4}$ "-20 Spline Yoke, 1121	P1
Gearbox, 1121	P3
Adjustable Discharge Spout, 1121	P5
Vertical Auger - Upper Section, 1121	P7
Vertical Auger - Lower Section, 1121	P9
Vertical Auger - Folding Linkage, 1121	P11
Auger Grease Bank Assembly	P13

MAIN FRAME

Clevis Hitch Assemblies	P16
Safety Chain	P17
Jack Assembly, 1121	P19
Frame Assembly	P21
Front Lower Housing, 1121 (2022 Production)	P23
V-Belt Idler Assembly, 1121 (2022 Production)	P25
Transfer Case Covers, 1121 (2023 Production and On)	P27
Transfer Case Assembly, 1121 (2023 Production and On)	P29
Idler Arm Assembly	P31
(2023 Production and On)	P31
Horizontal Auger, Bearings, and Drive, 1121	P33
Clean Out Assembly	P35
Lower Tank Assembly	P37
Lower Tank Supports	P39
Upper Tank	P41
Upper Tank Assembly	P43
Roll Tarp Extensions	P45
Roll Tarp	P47
Axles, 1121 Flotation	P49
Axles, 1121 Track	P51
Axles, 1121 Row Crop	P53
Axle Grease Banks, Row Crop	P55
Hub and Tire Assemblies, Flotation	P57
Hub and Tire Assemblies, Row Crop	P58
Track Assembly, Camso (2022-2025 Production)	P59
Track Assembly, TDS (2026 Production and On)	P61
Track Main Frame, Camso (2022-2025 Production)	P63
Track Main Frame, TDS (2026 Production and On)	P65
Detensioning Tool	P67
Camso Service Tools	P68
TDS Service Tools	P68
Bogie Hub Assembly, Camso (2022-2025 Production)	P69
Alignment Link W/Hubs, Camso (2022-2025 Production)	P70

Tension Link W/Hubs, Camso (2022-2025 Production)	P71
Tensioner End, TDS (2026 Production and On)	P72
Alignment End, TDS (2026 Production and On)	P73

HYDRAULICS

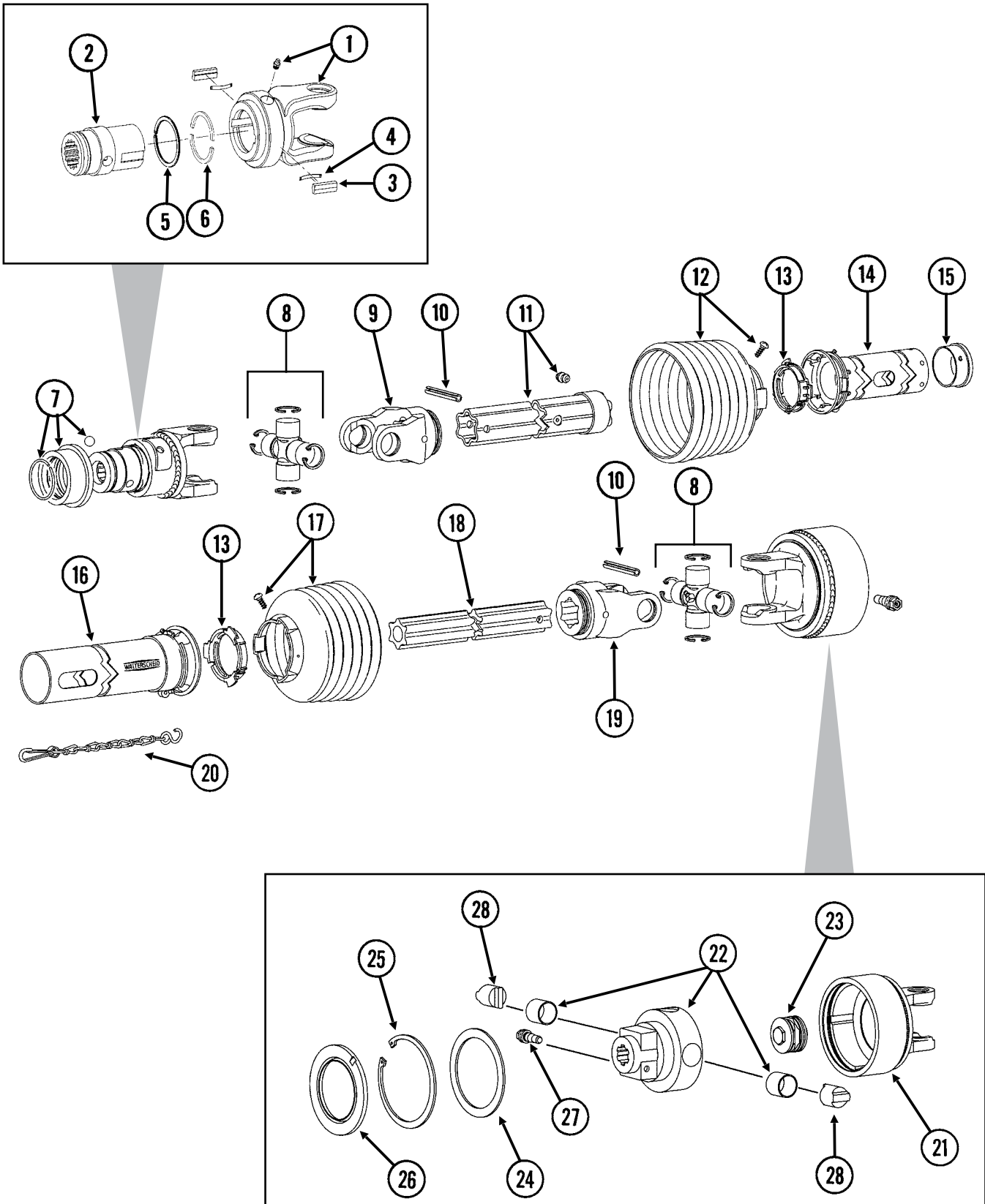
Horizontal Auger Drive (Idler) Cylinder, 1121	P74
Vertical Auger Fold Cylinder, 1121	P75
Adjustable Discharge Spout Cylinder	P76

ELECTRICAL

AutoLog (2022-2023 Production)	P78
AutoLog (2024 Production and On)	P79
Electronic Scale	P81
Displays and Electrical Components	P83
Work Lights and Miscellaneous	P85

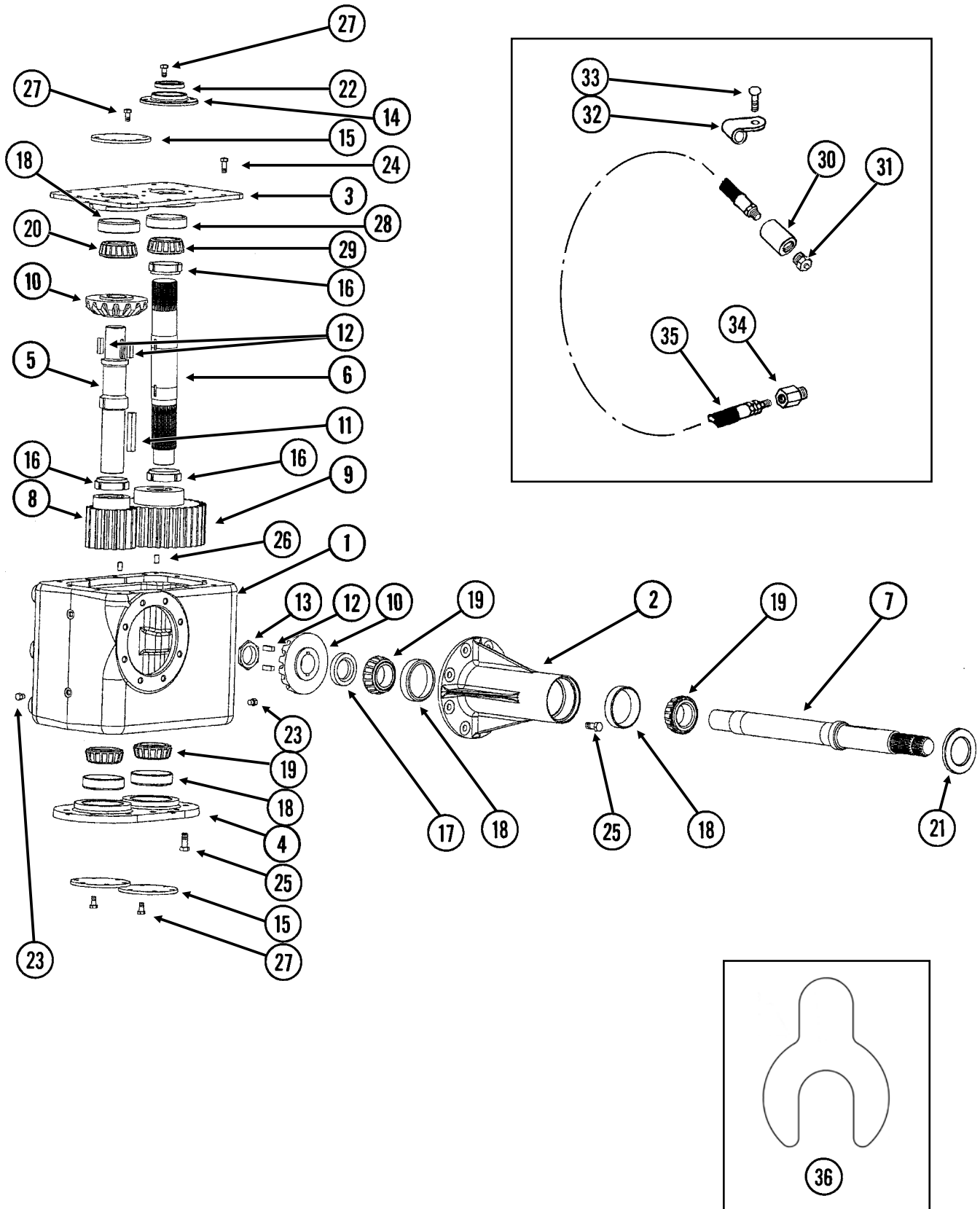
MISCELLANEOUS P86**NUMERICAL INDEX P92**

(GR1642/A12243/GR1788)



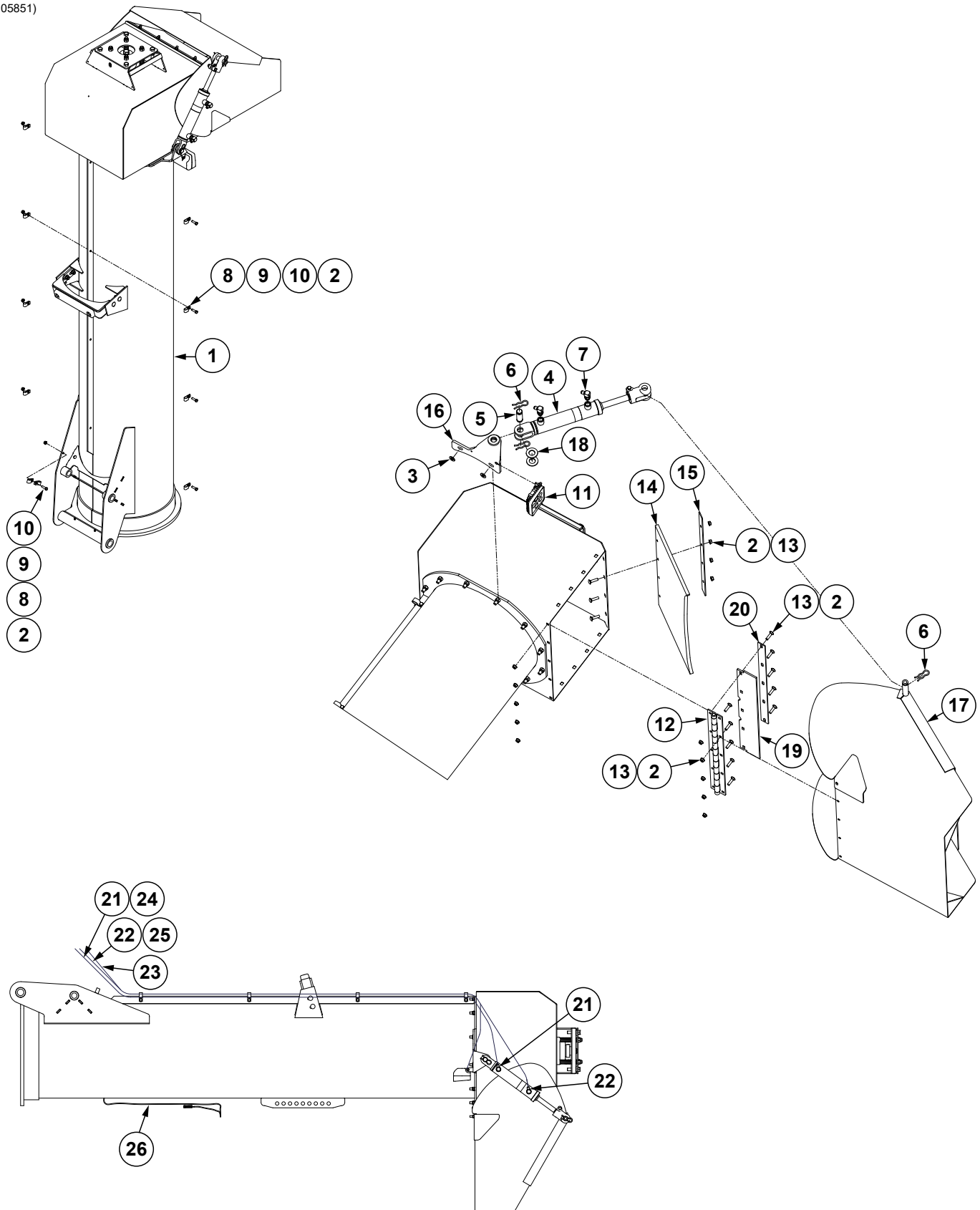
ITEM	PART NO.	QTY.	DESCRIPTION
1	GR1693	1	Housing W/Grease Fitting
	GR1661	-	Grease Fitting
2	GR1694	1	Hub
3	GR1669	2	Key
4	GR1670	2	Leaf Spring
5	GR1672	1	Retaining Ring
6	GR1695	2	Half Ring
7	GR1246	-	Quick Disconnect Kit
8	GR1210	2	Cross And Bearing Kit W/Grease Fitting
	GR1300	-	Grease Fitting, 67.5°, Metric
9	GR1215	1	Inboard Yoke
10	GR1211	2	Spring Pin
11	GR1644	1	Profile And Sleeve W/Grease Fitting
	GR1430	-	Grease Fitting, $\frac{3}{16}$ ", Drive-In
12	GR2269	1	Guard Cone W/Screw
13	GR1220	2	Bearing Ring
14	GR2271	1	Inner Guard Tube
15	GR1222	1	Support Bearing
16	GR2270	1	Outer Guard Tube
17	GR1648	1	Guard Cone W/Screw
18	GR1645	1	Inner Profile
19	GR1212	1	Inboard Yoke
20	GR2272	1	Safety Chain
21	GR1794	1	Housing
22	GR1791	1	Hub W/Bushings
	GR1704	-	Bushing
23	GR1792	1	Spring
24	GR1699	1	Washer
25	GR1700	1	Retaining Ring
26	GR1701	1	Ring
27	GR1649	-	Lock Assembly
28	GR1793	4	Cam
A	GR1640	-	PTO Half-Tractor (Items 1-15)
B	GR1789	-	PTO Half-Machine (Items 8, 10, 13 And 16-28)
C	GR1642	-	Overrunning Clutch Yoke (Items 1-7)
D	GR1788	1	Torque Limiting Clutch (Items 21-28)

(WGN154f)



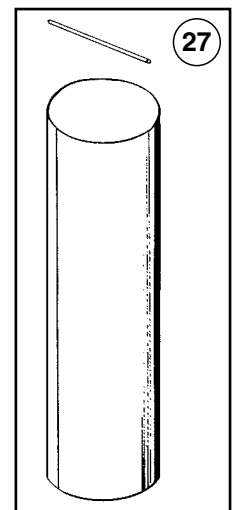
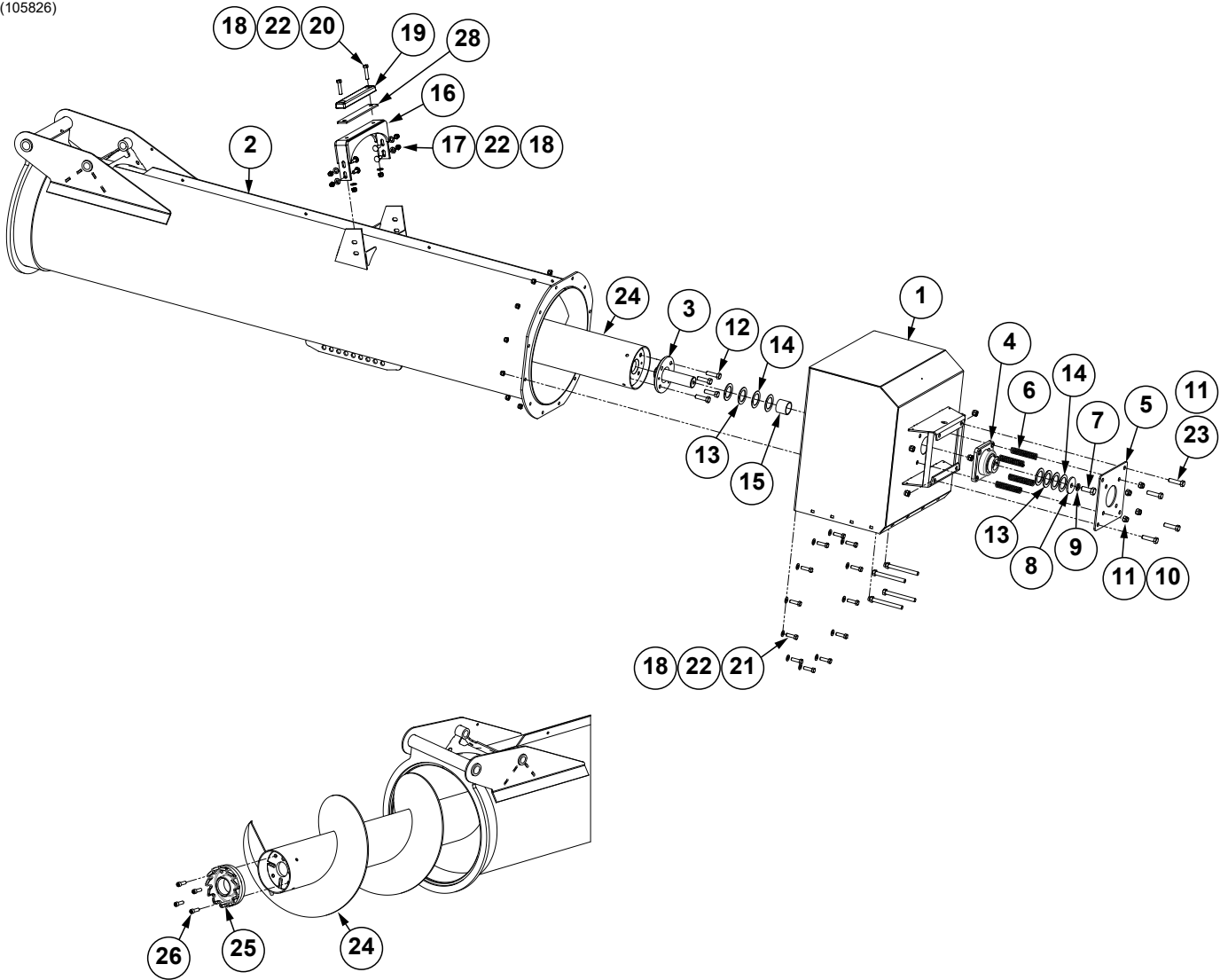
ITEM	PART NO.	QTY.	DESCRIPTION
1	GD13402	1	Housing
2	GD13403	1	Input Housing
3	GD14237	1	Upper Bearing Plate
4	GD13086	1	Lower Bearing Plate
5	GD13080	1	Pinion Shaft
6	GD14241	1	Output Shaft, Splined
7	GD13082	1	Input Shaft
8	GD13083	1	Gear, 16 Tooth
9	GD14242	1	Gear, 32 Tooth
10	GD13087	1	Bevel Gear
11	GD13088	1	Key, 1/2" x 1/2" x 3 1/2"
12	GD13089	4	Key, 3/8" x 3/8" x 1 3/8"
13	GD13090	1	Stake Nut
14	GD14238	1	Bearing Cap
15	GD13092	3	Bearing Cap
16	GD13093	3	Swedge Lock Nut, 2 1/2"-16
17	GD13094	1	Thrust Washer
18	GD7079	5	Cup
19	GA9292	4	Bearing
20	GA4723	1	Bearing
21	GA9301	1	Seal
22	GA9940	1	Seal
23	G6408-04 GR1465	3 -	Plug W/O-Ring, 7/16"-20 O-Ring O-Ring
24	G10001	12	Hex Head Cap Screw, 3/8"-16 x 1"
25	G10037	18	Hex Head Cap Screw, 1/2"-13 x 1 1/4"
26	G11025	2	Dowel, 3/8" Diameter x 3/4"
27	G10002	26	Hex Head Cap Screw, 3/8"-16 x 3/4"
28	GD14239	1	Cup
29	GA9939	1	Bearing
30	G10125	1	Pipe Coupling, 1/8" NPT
31	GA9303	1	Relief Fitting
32	GD6291	-	Insulated Clamp, 3/8"
33	G10305 G10622	- -	Carriage Bolt, 3/8"-16 x 1" Serrated Flange Nut, 3/8"-16
34	G6405-04-02 GR1465	1 -	Connector W/O-Ring, 1/8" Female NPT To 7/16"-20 Male O-Ring O-Ring
35	GA0504	1	Grease Hose, 24"
36	GD21265	-	Gearbox Shim
A	GA9938	-	Gearbox Complete, 1121 (Items 1-29)

(105851)



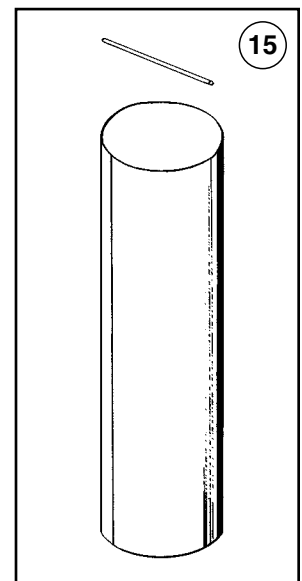
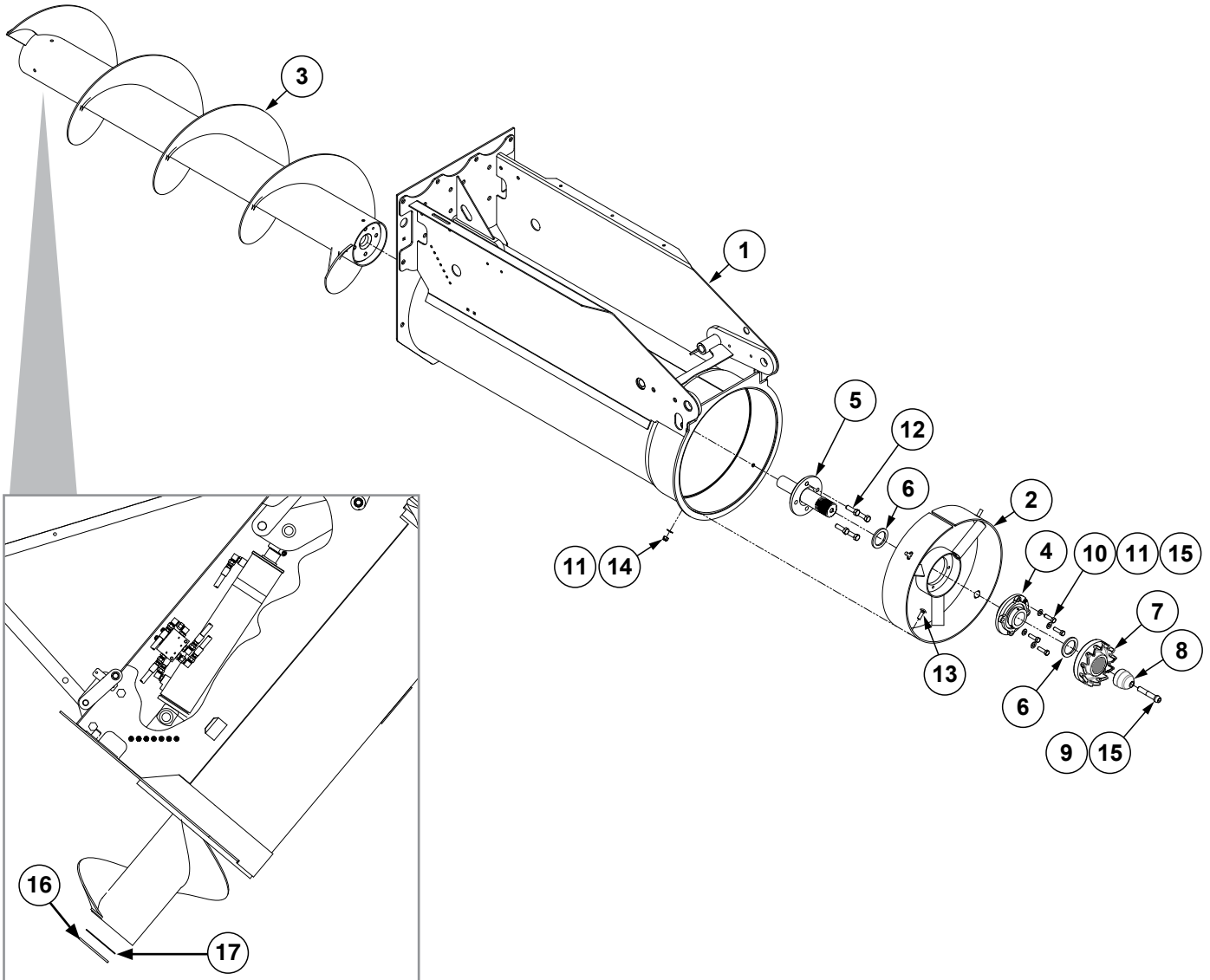
ITEM	PART NO.	QTY.	DESCRIPTION
1	---	1	"Vertical Auger - Upper Section, 1121" on page P7
2	G11091	19	Serrated Flange Nut, 3/8"-16
3	G11389	2	Washer, 1/2" SAE
4	GA21166	1	"Adjustable Discharge Spout Cylinder" on page P76
5	GR0367	1	Pin, 1" x 2 7/8"
6	GR0193	3	Hair Pin Clip
7	G6801-06-08	2	Elbow W/O-Ring, 90°, 9/16"-18 Male JIC To 3/4"-16 O-Ring
	GR1037	-	O-Ring
8	GD17161	5	Double Insulated Clamp
9	GD13348	5	Insulated Clamp, 1 1/8"
10	G10004	5	Hex Head Cap Screw, 3/8"-16 x 1 1/4"
11	G11112401	1	"Safety/Warning and Work Lights" on page P75
12	GA16699	1	Continuous Hinge, 1121
13	G10301	14	Carriage Bolt, 3/8"-16 x 1 1/2"
14	GD21368	1	Flexible Diverter, 1121
15	GD20997	1	Diverter Bar, 1121
16	GA14699	1	Angle Mount, 1121
17	GA16700	1	Adjustable Discharge Spout, 1121
18	G11394	2	Flat Washer, 1" SAE
19	G10531001	1	Hinge Cover Flap
20	G10530901	1	Hinge Cover Strip
21	*A7691-347	1	Hose Assembly, 1/4" x 347" (06M-1/2M NPTF W/Ext. W/Tip)
22	*A7691-356	1	Hose Assembly, 1/4" x 356" (06M - 1/2M NPTF W/Ext. W/Tip)
23	GA22878	1	"Safety/Warning and Work Lights" on page P75
24	GA26924-07	1	Hose Label/Cover, Yellow (Extend)
25	GA26924-08	1	Hose Label/Cover, Yellow (Retract)
26	G11014901	1	Tank Worklight Extension Harness

(105826)



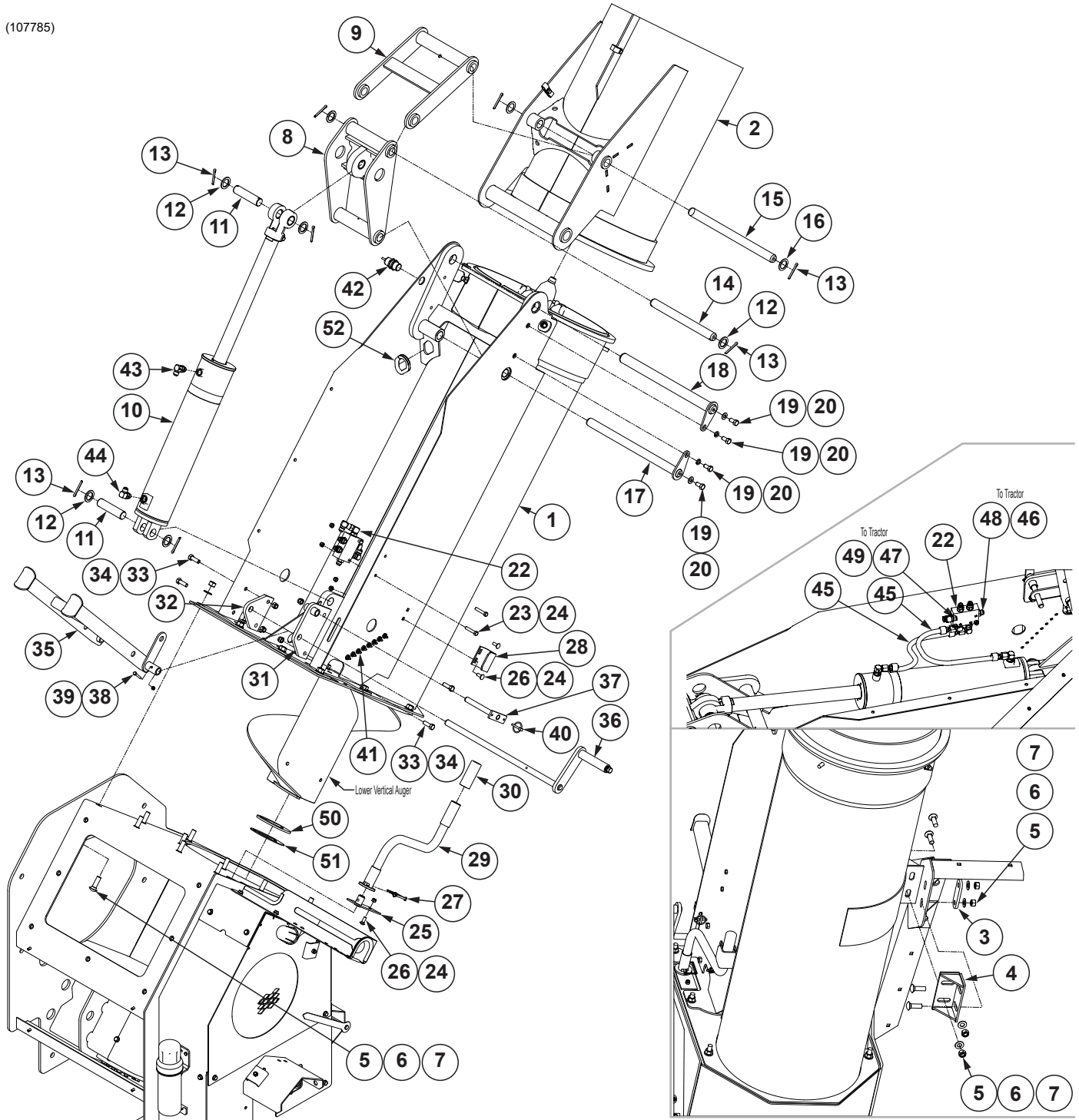
ITEM	PART NO.	QTY.	DESCRIPTION
1	GA14978	1	Discharge Head, 1121
2	GA10181	1	Upper Auger Housing, 1121
3	GA9285	1	Bearing Spindle
4	GA0449	1	Bearing W/Lock Collar, Set Screw And Grease Fitting, 2"
	GR0265	-	Lock Collar ("FAFNIR" Stamped On Bearing)
	G10080	-	Hex Socket Set Screw, 7/16"-14 x 7/16" ("FAFNIR" Stamped On Bearing)
	GR1376	-	Lock Collar ("SKF" Stamped On Bearing)
	G10850	-	Hex Socket Set Screw, 7/16"-20 x 7/16" ("SKF" Stamped On Bearing)
	GR1434	-	Lock Collar ("INA" Stamped On Bearing)
	G10120	-	Hex Socket Set Screw, 3/8"-16 x 1/2" ("INA" Stamped On Bearing)
	GR1174	-	Lock Collar ("FYH" Stamped On Bearing)
	G10849	-	Hex Socket Set Screw, 3/8"-24 x 1/2" ("FYH" Stamped On Bearing)
	G10641	-	Grease Fitting, 1/8" NPT
5	GD13778	1	Spring Plate
6	GD6433	4	Spring
7	G10026	1	Hex Head Cap Screw, 3/4"-10 x 2"
8	GD9592	1	Special Washer
9	G10231	1	Lock Washer, 3/4"
10	G10068	4	Hex Head Cap Screw, 5/8"-11 x 6"
11	G10107	8	Lock Nut, 5/8"-11
12	G10006	4	Hex Head Cap Screw, 5/8"-11 x 2 1/4"
13	G10234	4	Machine Bushing, 2 1/8", 10 Gauge (As Required)
14	G10336	4	Machine Bushing, 2 1/8", 14 Gauge (As Required)
15	GD3457-09	1	Sleeve, 2" x 2 1/4" Long
16	GA9976	1	Bar
17	G10636	4	Carriage Bolt, 1/2"-13 x 1 1/2"
18	G10111	18	Lock Nut, 1/2"-13
19	GA9088	1	Molded Stop, 12 1/4" Long
20	G10581	2	Hex Head Cap Screw, 1/2"-13 x 2 1/4"
21	G10039	12	Hex Head Cap Screw, 1/2"-13 x 1 3/4"
22	G11389	18	Washer, 1/2" SAE
23	G10005	4	Hex Head Cap Screw, 5/8"-11 x 1 3/4"
24	G10550801	1	L.H. Upper Vertical Auger
25	GD29793	1	Upper Coupler
26	G11559	4	Hex Socket Head Cap Screw, 1/2"-13 x 1 1/2"
27	G1K502	-	Upper Vertical Auger Housing Kit, 1121
28	G10805101	1	Auger Rest Shim

(107708)



ITEM	PART NO.	QTY.	DESCRIPTION
1	G10651601	1	Lower Auger Housing
2	G10649201	1	Vertical Auger Hanger
3	G10550701	1	Lower Vertical Auger
4	GA18517	1	4-Bolt Flange Bearing, 2 ⁷ / ₁₆ "
5	GA18487	1	Lower Auger Spindle
6	GD29312	2	Coupler Washer
7	GD29792	1	Lower Coupler
8	GD26892	1	Vertical Pilot Cone
9	GD25419	1	Hex Socket Head Cap Screw, 3/4"-10 x 4", Grade 5 (Modified)
10	G10039	4	Hex Head Cap Screw, 1/2"-13 x 1 3/4"
11	G11389	8	Flat Washer, 1/2" Plated SAE
12	G10008	4	Hex Head Cap Screw, 5/8"-11 x 2"
13	G10636	4	Carriage Bolt, 1/2"-13 x 1 1/2"
14	G10111	4	Lock Nut, 1/2"-13
15	G1K504	-	Lower Vertical Auger Housing Liner Kit
16	G10799701	-	Lower Auger Shim, 1/4"
17	G10799702	-	Lower Auger Shim, 12 Gauge (.1046")

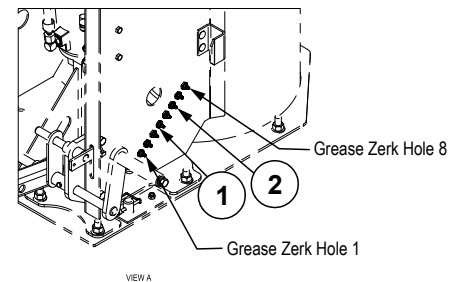
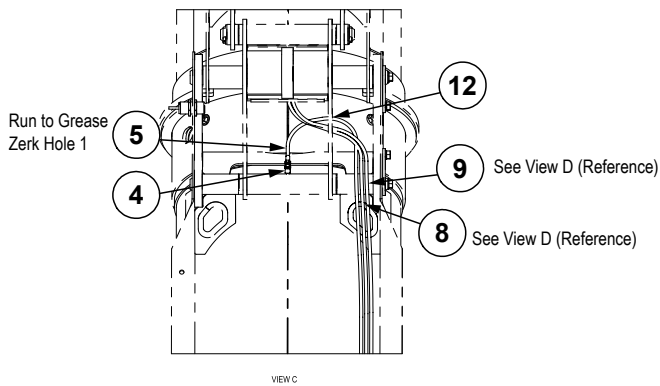
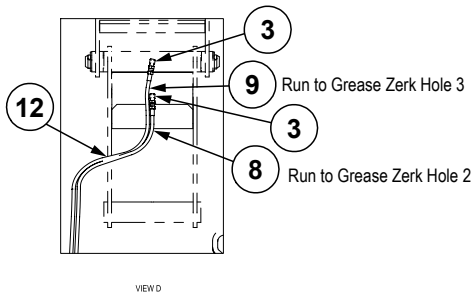
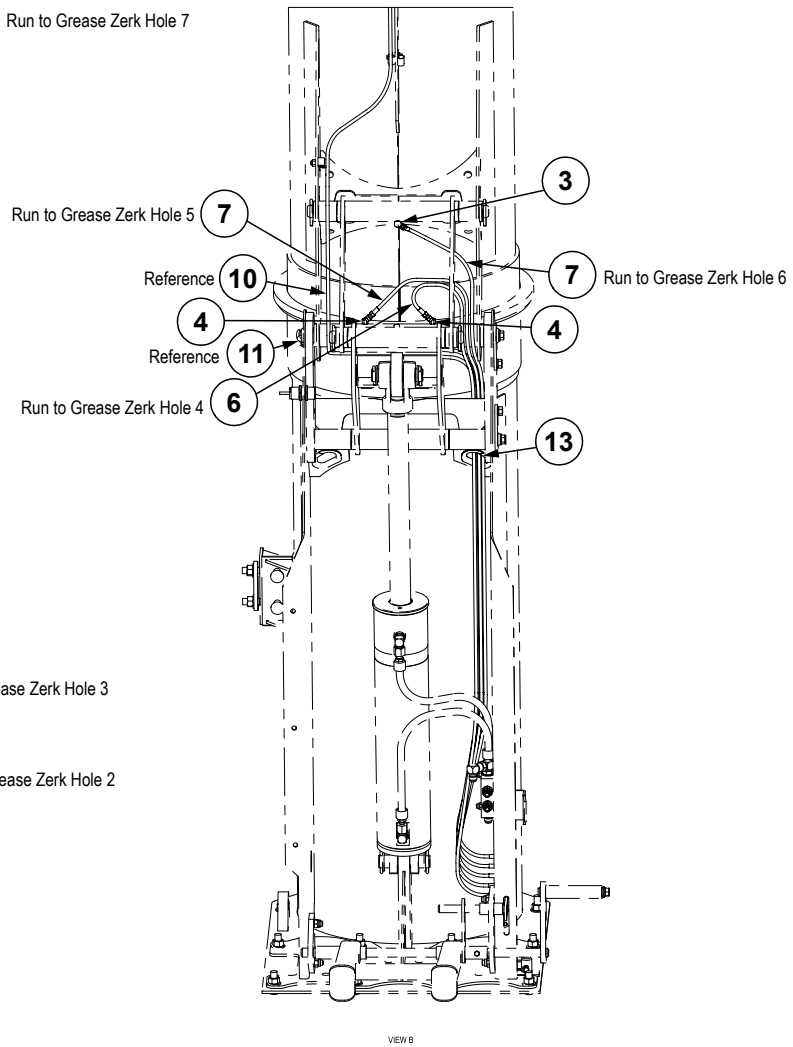
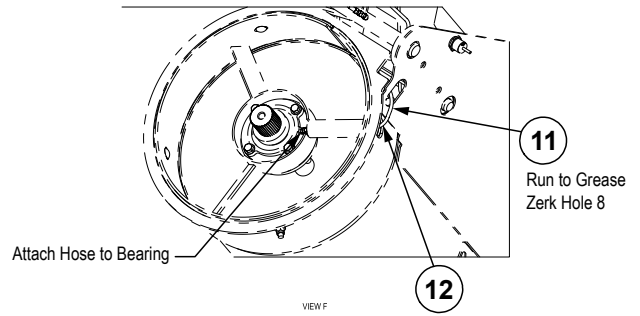
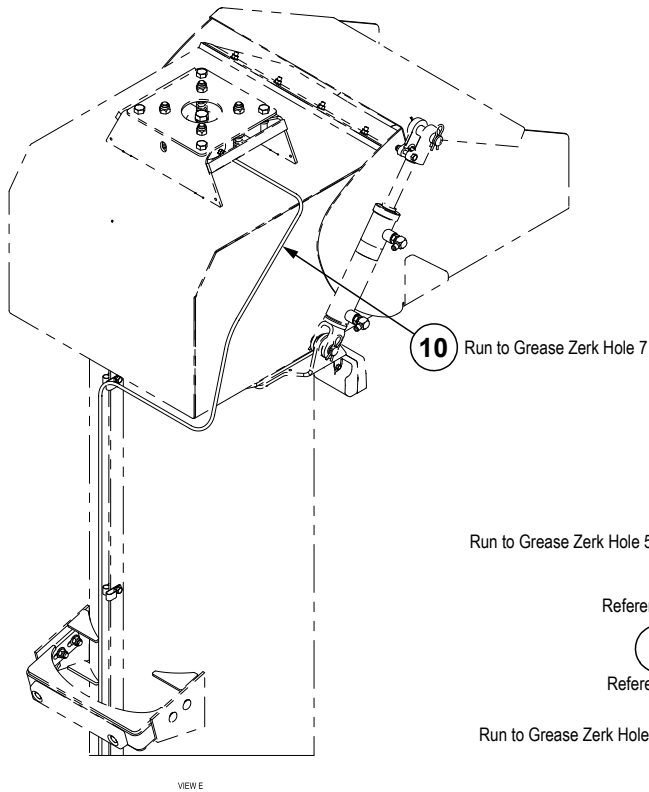
(107785)



ITEM	PART NO.	QTY.	DESCRIPTION
1	---	1	"Vertical Auger - Lower Section, 1121" on page P9
2	---	1	"Adjustable Discharge Spout, 1121" on page P5
3	GD14653	1	Pressure Plate
4	GA9345	1	Auger Support Bracket
5	G10689	14	Carriage Bolt, 5/8"-11 x 2"
6	G11391	14	Flat Washer, 5/8" SAE
7	G10104	14	Hex Nut, 5/8"-11
8	G10794001	1	Bottom Auger Link

ITEM	PART NO.	QTY.	DESCRIPTION
9	GA9257	1	Upper Link W/Grease Fitting, 11 ⁷ / ₈ " x 15 ⁷ / ₈ ", 1121
10	GA20808	1	"Vertical Auger Fold Cylinder, 1121" on page P75
11	GD6136	2	Pin, 1 ¹ / ₄ " x 5"
12	G10159	6	Washer, 1 ⁷ / ₈ ", 10 Gauge (.1345")
13	G10460	8	Cotter Pin, 1 ¹ / ₄ " x 2"
14	GD13736	1	Pin, 1 ¹ / ₄ " x 13 ¹ / ₈ ", 1121
15	GD13735	1	Pin, 1 ¹ / ₄ " x 17 ³ / ₄ ", 1121
16	G11334	2	Machine Bushing, 1 ¹ / ₄ ", 14 Gauge
17	GA9353	1	Pivot Pin, 1 ¹ / ₄ " x 19 ³ / ₄ ", 1121
18	GA9354	1	Pivot Pin, 1 ¹ / ₂ " x 19 ³ / ₄ ", 1121
19	G10014	4	Hex Head Cap Screw, 1 ¹ / ₂ "-13 x 1"
20	G11389	4	Washer, 1 ¹ / ₂ " SAE
21	---	---	---
22	GA19431	2	Counter Balance Valve
	GR1517	-	Seal Kit For Counter Balance Valve, Includes: (3) O-Rings, (3) BU Rings
23	G10048	2	Hex Head Cap Screw, 3 ⁸ / ₈ "-16 x 2"
24	G10108	5	Lock Nut, 3 ⁸ / ₈ "-16
25	GA9356	1	Handle Storage Bracket
26	G10305	3	Carriage Bolt, 3 ⁸ / ₈ "-16 x 1"
27	GD10705	1	Locking Clip Pin, 1 ¹ / ₄ " x 2 ¹ / ₂ "
28	GD13755	1	Handle Holder
29	GA17046	1	Jack Handle
30	G11012	1	Black Protective Cover, 1 ¹ / ₂ " x 4"
31	GA9350	1	Bracket
32	GD13724	1	Plate
33	G10017	4	Hex Head Cap Screw, 1 ¹ / ₂ "-13 x 1 ¹ / ₂ "
34	G10111	4	Lock Nut, 1 ¹ / ₂ "-13
35	GA9346	1	Support Stand, 1121
36	GA9348	1	Handle W/Sleeve And Hardware, 1121
	GD2734-16	-	Sleeve, 1 ¹ / ₄ " O.D. x 5 ¹ / ₂ " Long
	G10438	-	Hex Head Cap Screw, 1 ¹ / ₂ "-13 x 3 ⁴ / ₄ "
	G10228	-	Lock Washer, 1 ¹ / ₂ "
37	GA9347	1	Support Stand Pin
38	G10040	1	Hex Head Cap Screw, 1 ¹ / ₄ "-20 x 1 ³ / ₄ "
39	G10110	1	Lock Nut, 1 ¹ / ₄ "-20, Grade B
40	GD2558	1	Lynch Pin, 1 ¹ / ₄ "
41	G10779401	1	"Auger Grease Bank Assembly" on page P13
42	GD29033	1	Relay, 6 Amp
43	GA9705	1	Restrictor Elbow
44	G6801-08	3	Elbow W/O-Ring, 90°, 3 ⁴ / ₄ "-16 Male JIC To O-Ring
	GR1037	-	O-Ring
45	*A1079	2	Hose Assembly, 3 ⁸ / ₈ " x 24"
46	*A26936-144	1	Hose Assembly, 3 ⁸ / ₈ " x 144" (08F-1/2M NPTF W/Ext. W/Tip)
47	*A26936-149	1	Hose Assembly, 3 ⁸ / ₈ " x 149" (08F-1/2M NPTF W/Ext. W/Tip)
48	GA26924-01	1	Hose Label/Cover, Red (Extend)
49	GA26924-02	1	Hose Label/Cover, Red (Retract)
50	G10799701	1	Lower Auger Shim, 1 ¹ / ₄ "
51	G10799702	1	Lower Auger Shim, 12 Gauge (.1046")
52	GD35413-7.88	1	Edge Trim Protection, 1 ¹ / ₄ " x 1 ¹ / ₂ " x 7.88"

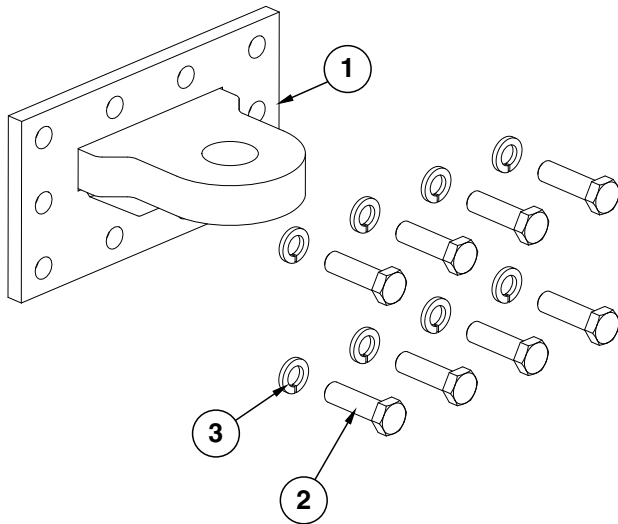
*Hydraulic hose is not stocked by Kinze Repair Parts, but can be made available on a special order basis. Call for quote.



ITEM	PART NO.	QTY.	DESCRIPTION
1	G11094	8	Hex Nut, 1/8"-27 NPSM Bulkhead
2	G10640	8	Grease Fitting, 1/4"-28
3	G11558	3	Adapter, 1/4"-28 x 1/8" NPTF
4	G11725	3	Grease Fitting, 45°, 1/4"-28
5	*A27240-72	1	Grease Hose Assembly, 1/8" x 72"
6	*A27240-76	1	Grease Hose Assembly, 1/8" x 76"
7	*A27240-78	2	Grease Hose Assembly, 1/8" x 78"
8	*A27240-68	1	Grease Hose Assembly, 1/8" x 68"
9	*A27240-69	1	Grease Hose Assembly, 1/8" x 69"
10	*A27240-240	1	Grease Hose Assembly, 1/8" x 240"
11	*A27240-92	1	Grease Hose Assembly, 1/8" x 92"
12	G10615001	3	Hose Wrap, 0.67" I.D. x 6"
13	GD35413-7.88	1	Edge Trim Protection, 1/4" x 1/2" x 7.88"

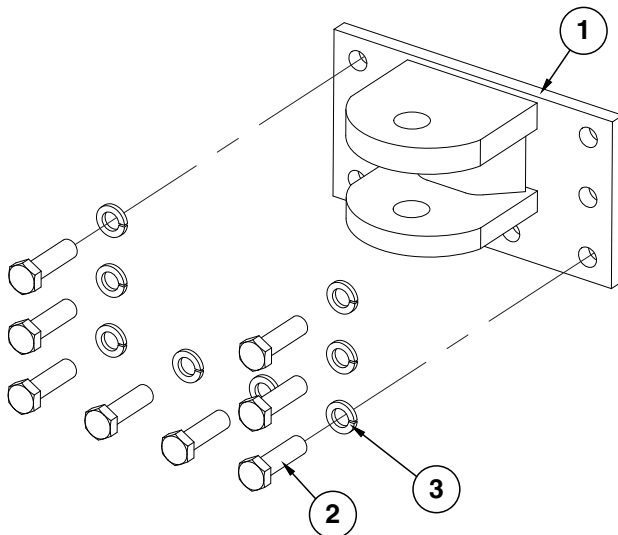
*Hydraulic hose is not stocked by Kinze Repair Parts, but can be made available on a special order basis. Call for quote.

This page left blank intentionally.



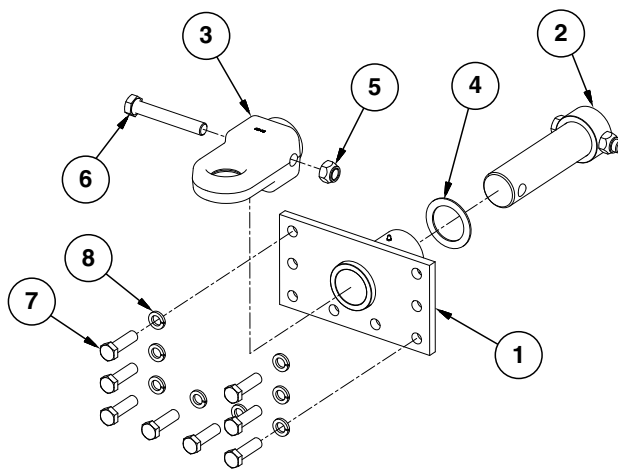
Single Clevis Hitch

ITEM	PART NO.	QTY.	DESCRIPTION
1	GA7561	1	Hitch Cap, Single Clevis
2	G10441	8	Hex Head Cap Screw, 7/8"-9 x 3", Grade 8
3	G10330	8	Lock Washer, 7/8"



Double Clevis Hitch

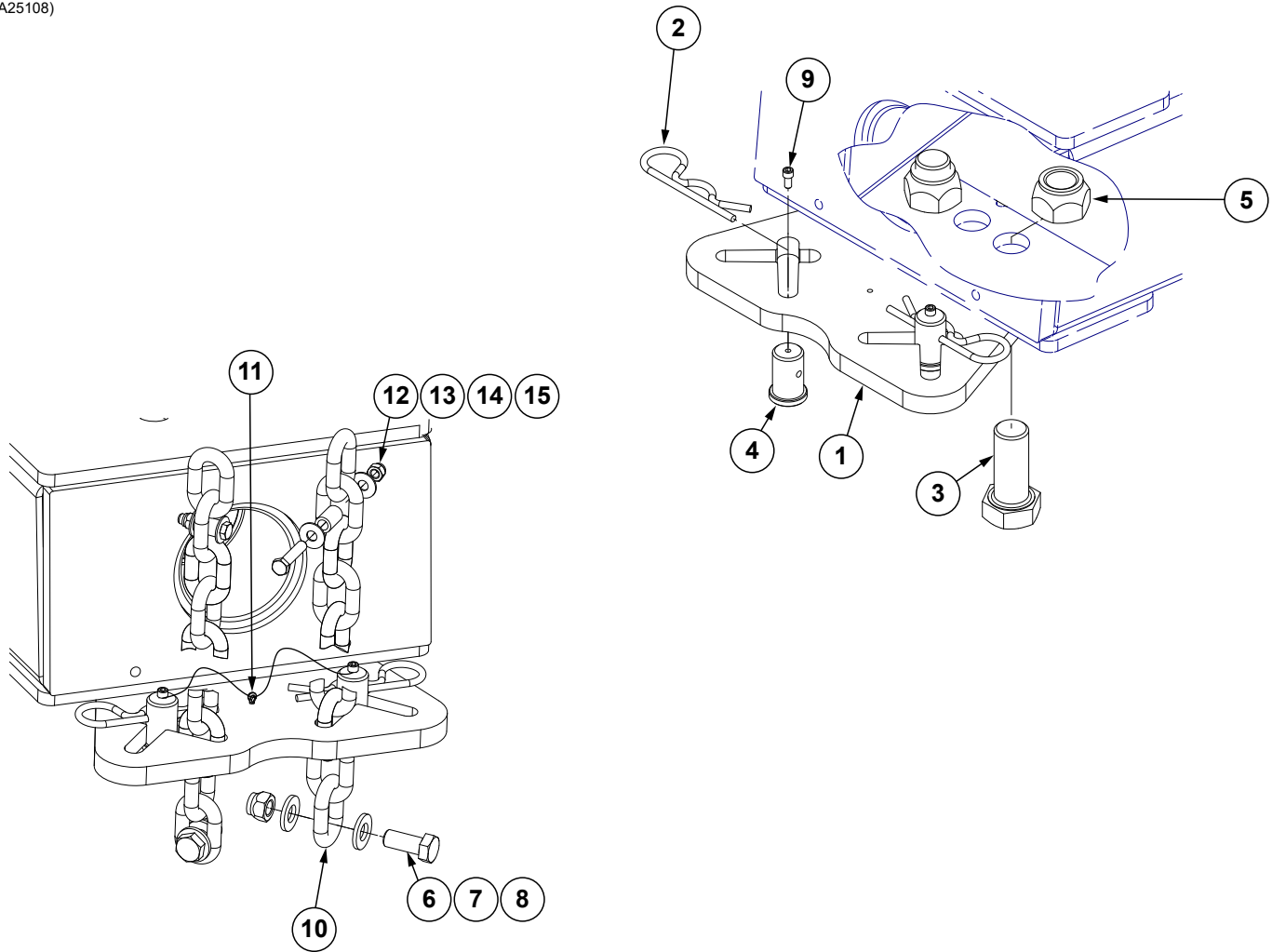
ITEM	PART NO.	QTY.	DESCRIPTION
1	GA4214	1	Hitch Cap, Double Clevis
2	G10441	8	Hex Head Cap Screw, 7/8"-9 x 3", Grade 8
3	G10330	8	Lock Washer, 7/8"



Single Clevis Swivel Hitch

ITEM	PART NO.	QTY.	DESCRIPTION
1	GA17049	1	Swivel Hitch Plate
2	GA19446	1	Pin Assembly
3	G10834401	1	Ball Hitch Assembly
	G10716801	-	Bushing, 2" I.D. (Included W/G10834401)
	G10834301	-	CAT 5 Ball, Spindle 3
	G10716701	-	Bushing, 2.75" I.D. (Included W/G10834301)
	G10834501	-	CAT 4 Ball, Spindle 3
	G10716901	-	Bushing, 2" I.D. (Included W/G10834501)
4	G11096	1	Machine Bushing, 3", 10 Gauge (.1345")
5	G10647	1	Hex Nut, 1"-8, Grade 8
6	G10488101	1	Hex Head Cap Screw, 1"-8 x 7", Grade 8
7	G10441	8	Hex Head Cap Screw, 7/8"-9 x 3", Grade 8
8	G10330	8	Lock Washer, 7/8"

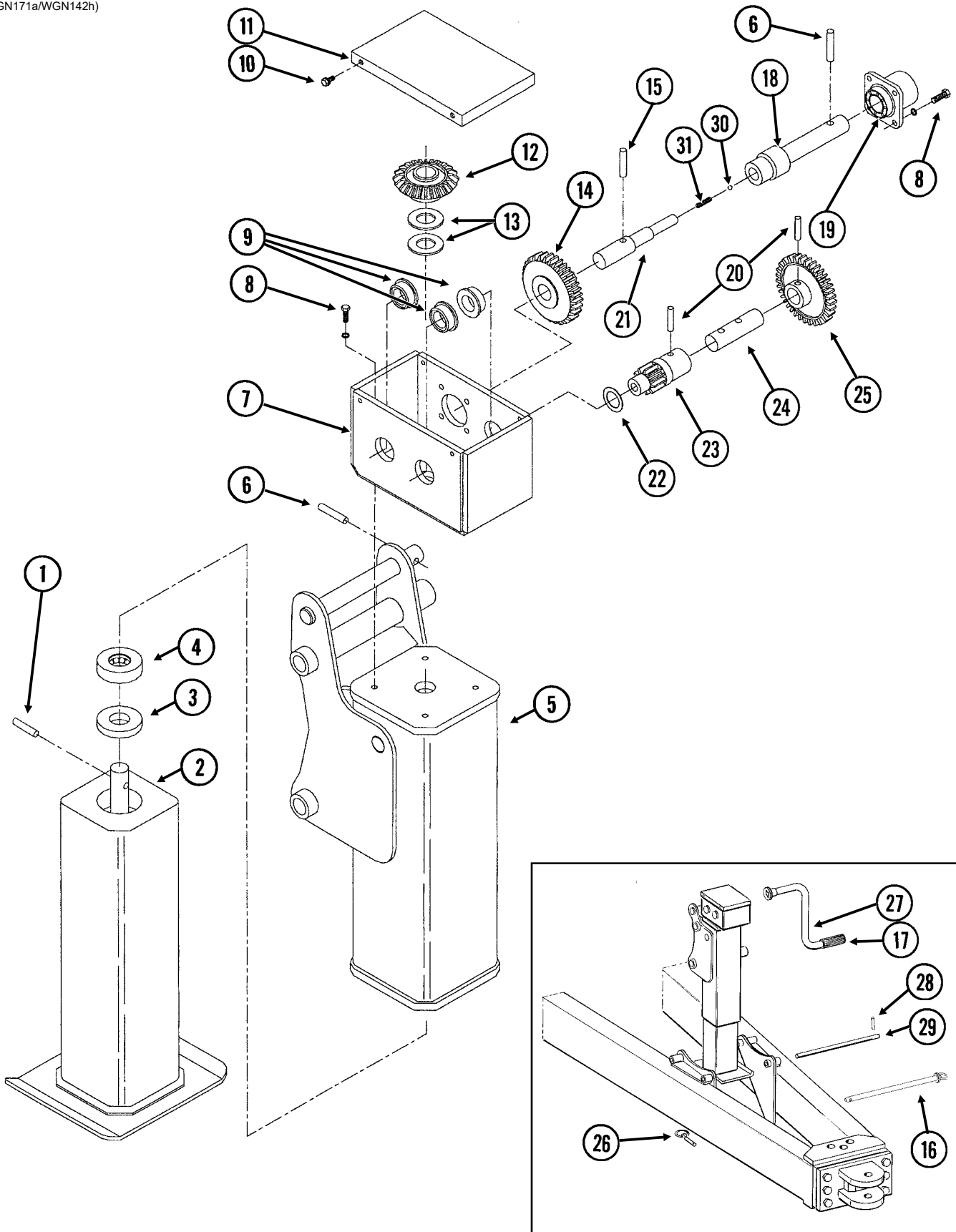
(A25108)



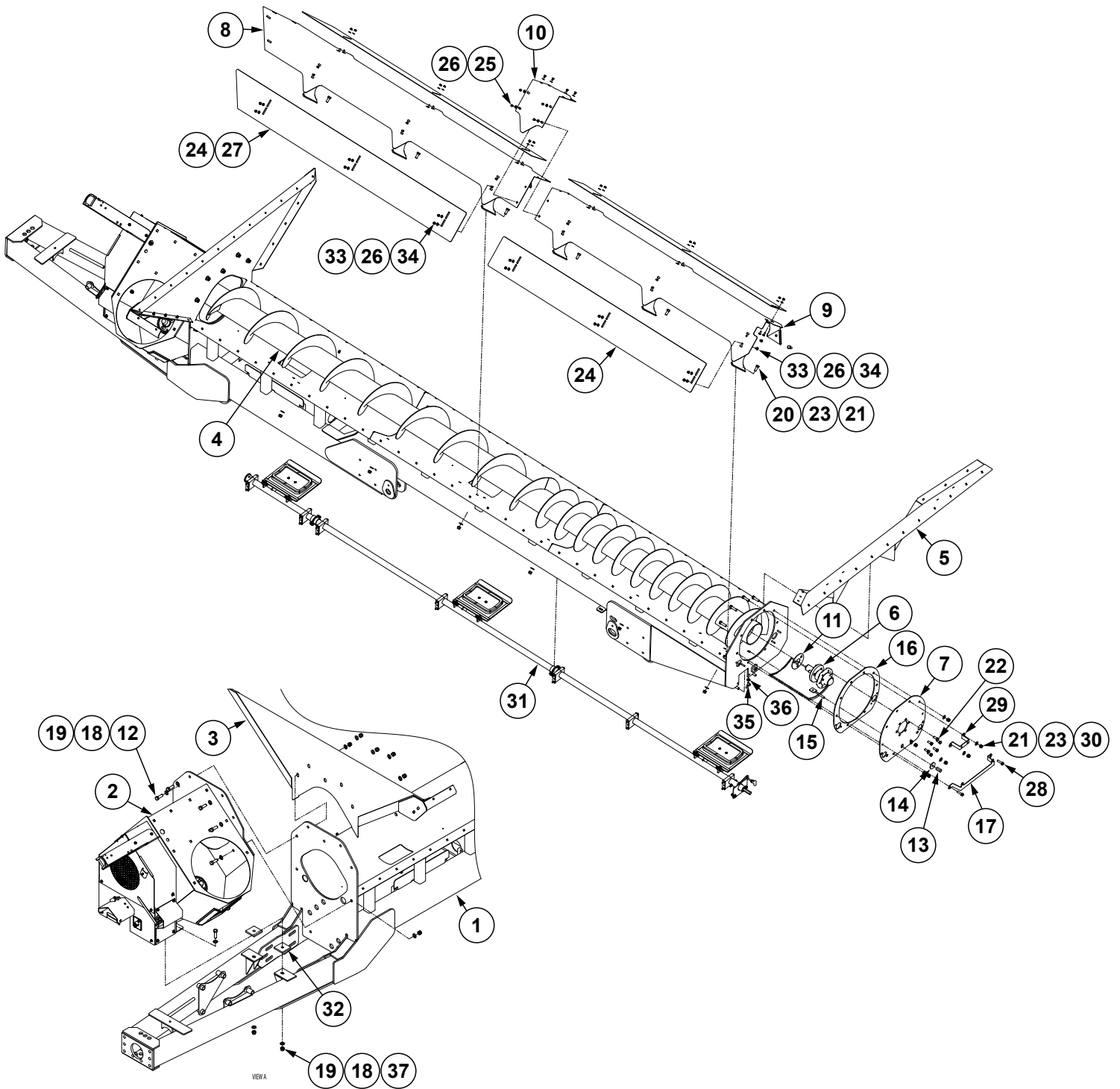
ITEM	PART NO.	QTY.	DESCRIPTION
1	GD35128	1	1/2" Double Chain Latch
2	G10671	2	Hairpin Cotter, 3/16" x 3 1/4"
3	G11058	2	Hex Head Cap Screw, 1 1/4"-7 x 3"
4	GD35129	2	Chain Latch Pin
5	G10157	2	Lock Nut, 1 1/4"-7
6	G10007	2	Hex Head Cap Screw, 5/8"-11 x 1 1/2"
7	G11391	4	Flat Washer, 5/8" SAE
8	G10107	2	Lock Nut, 5/8"-11
9	G11874	2	Hex Socket Head Cap Screw, 1/4"-20 x 1 1/2"
10	G3324-01	2	Safety Chain, 13MM Grade 70, 97 1/2"
11	GD35201	1	Looped Tether W/Tabs and Cotter Pin
12	G10108	2	Lock Nut, 3/8"-16
13	GD8893-07	2	Sleeve, 1" Long
14	G10210	4	Washer, 3/8" USS
15	G10047	2	Hex Head Cap Screw, 3/8"-16 x 1 3/4"
A	G9940X	-	Double Safety Chain Package

This page left blank intentionally.

(WGN171a/WGN142h)

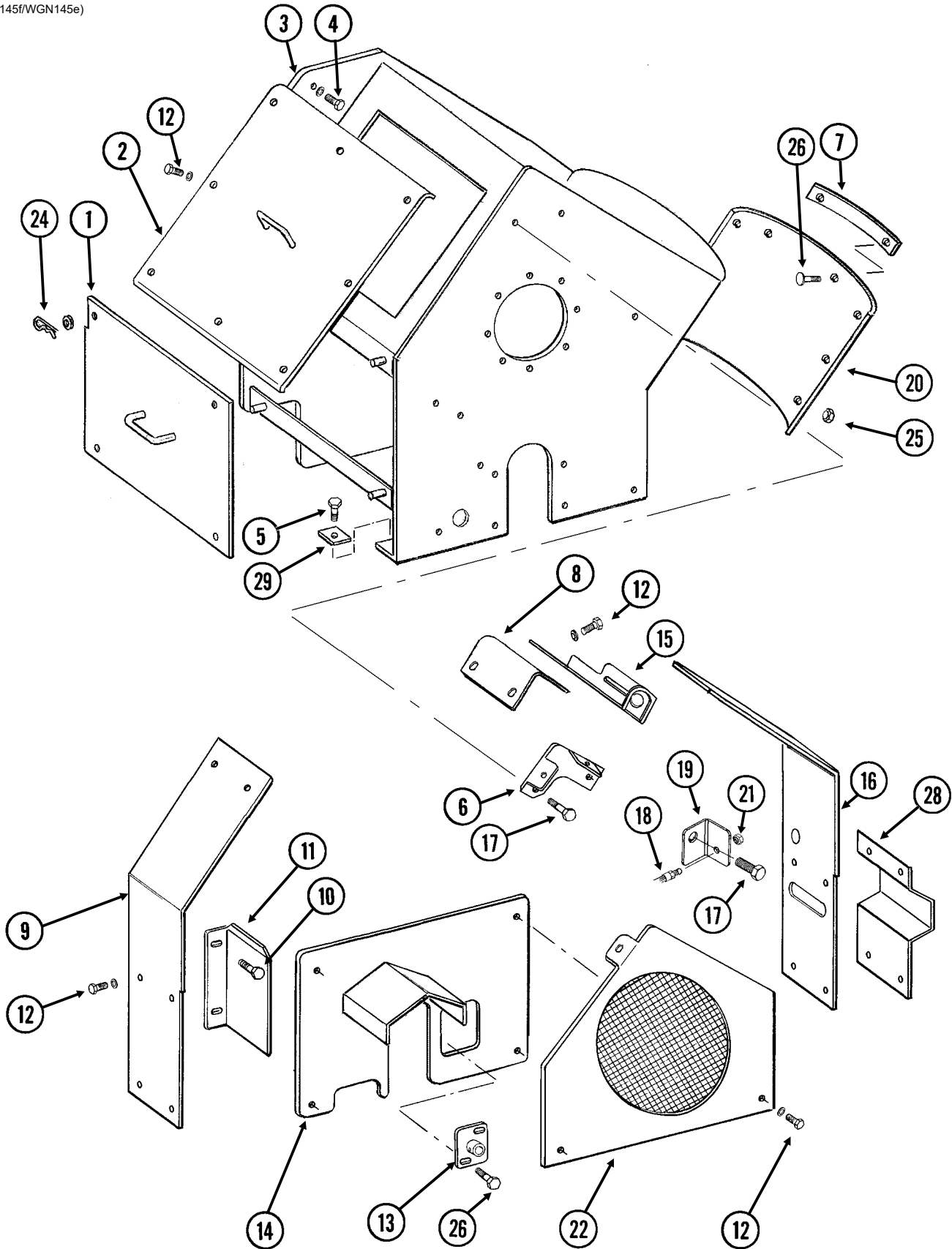


ITEM	PART NO.	QTY.	DESCRIPTION
1	G10840	1	Dowel Pin, 3/8" x 1 3/4"
2	GA17051	1	Lower Leg
3	GD13598	1	Collar
4	GA9665	1	Thrust Bearing
5	GA9484	1	Upper Leg
6	G10610	2	Spring Pin, 3/8" x 2"
7	GA9668	1	Gearbox
8	G10043	8	Hex Head Cap Screw, 5/16"-18 x 3/4"
	G10232	8	Lock Washer, 5/16"
9	GD13604	3	Bushing
10	G10960	4	Flanged Whiz-Lock Screw, 1/4"-20 x 5/8", No Serration
11	GD25067	1	Cap
12	GD13601	1	Bevel Gear
13	GD13600	2	Thrust Washer
14	GD13602	1	Output Cluster Gear
15	G11030	1	Spring Pin, 3/8" x 1 3/4"
16	GA14201	1	Cart Jack Pin, 17 1/2"
17	G11012	1	Cover
18	GD13698	1	Input Shaft
19	GA14992	1	Shifter Housing
20	G11031	2	Spring Pin, 5/16" x 1 1/2"
21	GD13603	1	Output Shaft
22	G11032	1-3	Shim
23	GD13605	1	Output Spur Gear
24	GD13608	1	Output Shaft
25	GD13606	1	Input Spur Gear
26	GD2558	1	Lynch Pin, 1/4"
27	GA17046	1	Handle
28	G10602	2	Spring Pin, 1/4" x 1 1/2"
29	GD13739	1	Pin, 1" x 17"
30	GD13609	2	Detent Ball
31	GD13610	1	Detent Spring
A	GA9670	-	Jack Complete (Items 1-25)



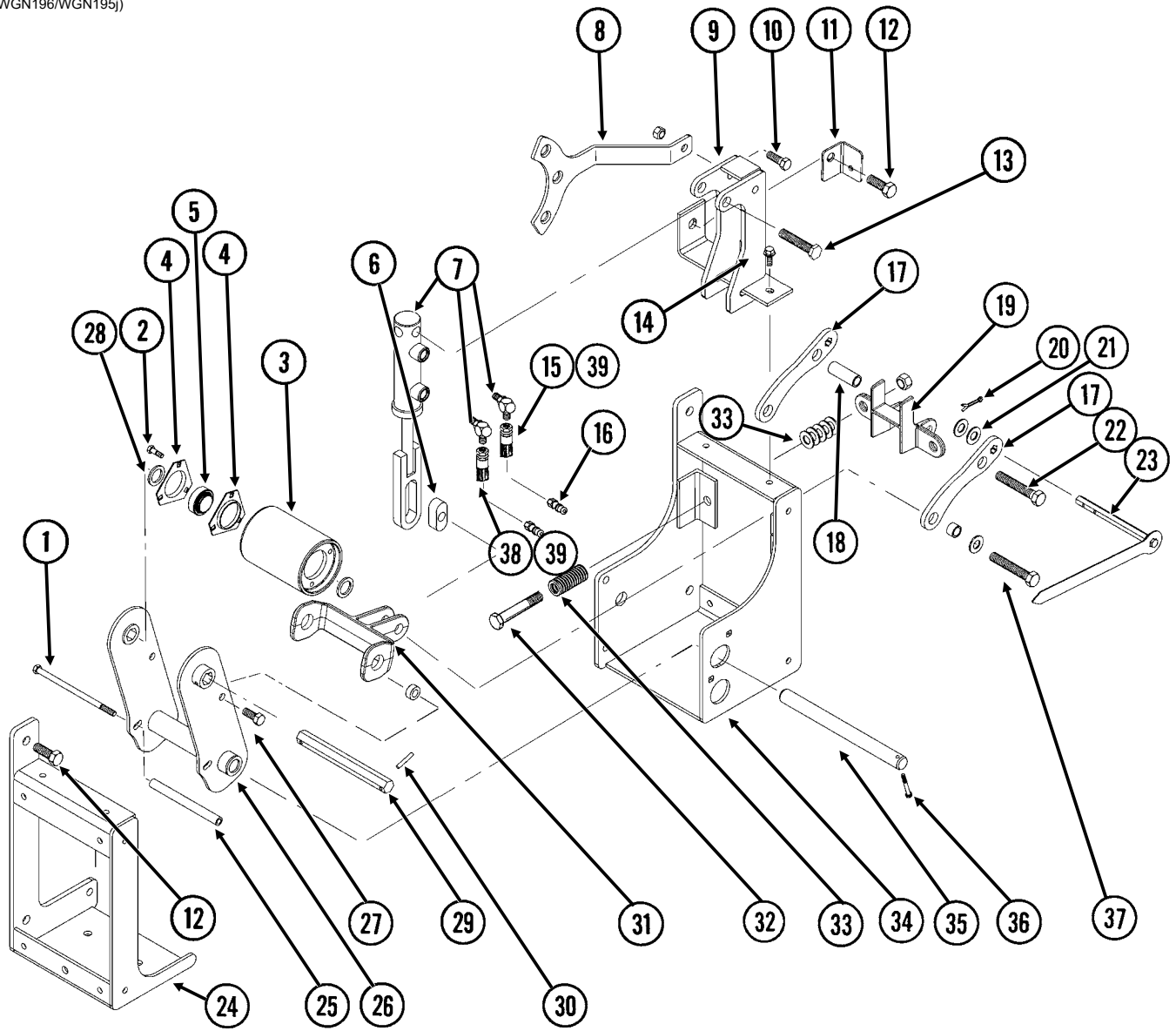
ITEM	PART NO.	QTY.	DESCRIPTION
1	10562001	1	Main Frame Hitch
2	---	1	See "Transfer Case Assembly, 1121 (2023 Production and On)" on page P29
3	G11045101	1	Front Lower Panel
4	GA9980	1	Horizontal Auger
5	GA9265	1	Rear Lower Panel
6	---	-	See "Hub and Tire Assemblies, Row Crop" on page P58 See "Hub and Tire Assemblies, Flotation" on page P57
7	G10584901	1	Inspection Cover, 1121
8	GA10016	1	Front Tunnel Cover, 121½"
9	GA10017	1	Rear Tunnel Cover, 95⅞"
10	GD13011	1	Center Tunnel Cover
11	G10805801	1	Horizontal Auger Three Lug Shim
12	G11071	9	Hex Head Cap Screw, ¾"-10 x 2¼"
13	GD13805	1	Cap Nut, Slide Pan
14	GD13804	1	Washer, Slide Pan
15	G10558301	1	Clean Out Sweep
16	G10584801	1	Rear Spacer Plate
17	G10578001	1	Lower SMV Bracket
18	G11392	22	Flat Washer, ¾" SAE
19	G10112	21	Lock Nut, ¾"-10
20	G10007	12	Hex Head Cap Screw, ⅝"-11 x 1½"
21	G10107	54	Lock Nut, ⅝"-11
22	GR0270	6	Lug Bolt, ⅞"-18
23	G11391	18	Washer, ⅝" SAE
24	GD14540	2	Rear Restrictor Plate
25	G10034	8	Hex Head Cap Screw, ⅜"-16 x ½"
26	G11387	40	Washer, ⅜" SAE
27	GD14539	2	Front Restrictor Plate
28	G11344	2	Hex Serrated Flange Cap Screw, ½"-13 x 2", Grade 5
29	G10578101	1	Upper SMV Bracket
30	G10006	6	Hex Head Cap Screw, ⅝"-11 x 2¼"
31	---	1	See "Clean Out Assembly" on page P35
32	GD14354	2	Spacer, 1/2" x 4" x 4"
33	G10305	88	Carriage Bolt, ⅜"-16 x 1"
34	G11091	152	Large Serrated Flange Nut, ⅜"-16
35	G10544801	1	Thumbscrew, ½"-13
36	G11389	1	Washer, ½" SAE
37	G10027	2	Hex Head Cap Screw, ¾"-10 x 2½"

(WGN145f/WGN145e)



ITEM	PART NO.	QTY.	DESCRIPTION
1	GA9478	1	Cover, 1121
2	GA9327	1	Transfer Case Cover, 1121
3	G10712101	1	Transfer Case, 1121
4	G11042	7-9	Hex Head Cap Screw, 3/4"-10 x 1 3/4"
	G10112	7-9	Lock Nut, 3/4"-10
5	G10026	2	Hex Head Cap Screw, 3/4"-10 x 2"
	G11071	-	Hex Head Cap Screw, 3/4"-10 x 2 1/4"
	G10027	-	Hex Head Cap Screw, 3/4"-10 x 2 1/2"
	G11392	4	Washer, 3/4" SAE
	G10112	2	Lock Nut, 3/4"-10
6	GA9707	1	Bracket
7	GD13006	1	Seal, 1121
8	GD13767	1	Cover
9	GD13764	1	Side Cover
10	G10305	4	Carriage Bolt, 3/8"-16 x 1"
	G10108	4	Lock Nut, 3/8"-16
11	GD13768	1	Belt Slide
12	G10004	22	Hex Head Cap Screw, 3/8"-16 x 1 1/4"
	G11387	22	Washer, 3/8" SAE
13	GA9312	1	Bracket (Belt Alignment)
14	GA9313	1	Lower Front Belt Housing Cover W/PTO Shield
15	G10534901	1	Hose Holder
16	G10817801	1	Side Cover
17	G10005	4	Hex Head Cap Screw, 5/8"-11 x 1 3/4"
	G10107	4	Lock Nut, 5/8"-11
18	GA10175	1	Grease Hose W/Grease Fitting, 24"
19	GD14644	1	Grease Bank Bracket
20	GA9349	1	Auger Inspection Cover, 1121
21	G11094	1	Lock Nut, 1/8" NPT, Brass
22	GA9708	1	Front Cover
23	---	---	---
24	G10670	4	Hair Pin Clip, No. 3
	G11386	4	Washer, 5/16" SAE
25	G11091	6	Large Serrated Flange Nut, 3/8"-16
26	G10305	2	Carriage Bolt, 3/8"-16 x 1"
	G11091	2	Large Serrated Flange Nut, 3/8"-16
27	---	---	---
28	GD14311	1	Shield
29	GD14354	2	Spacer, 1/2" x 4" x 4"

(WGN196/WGN195)

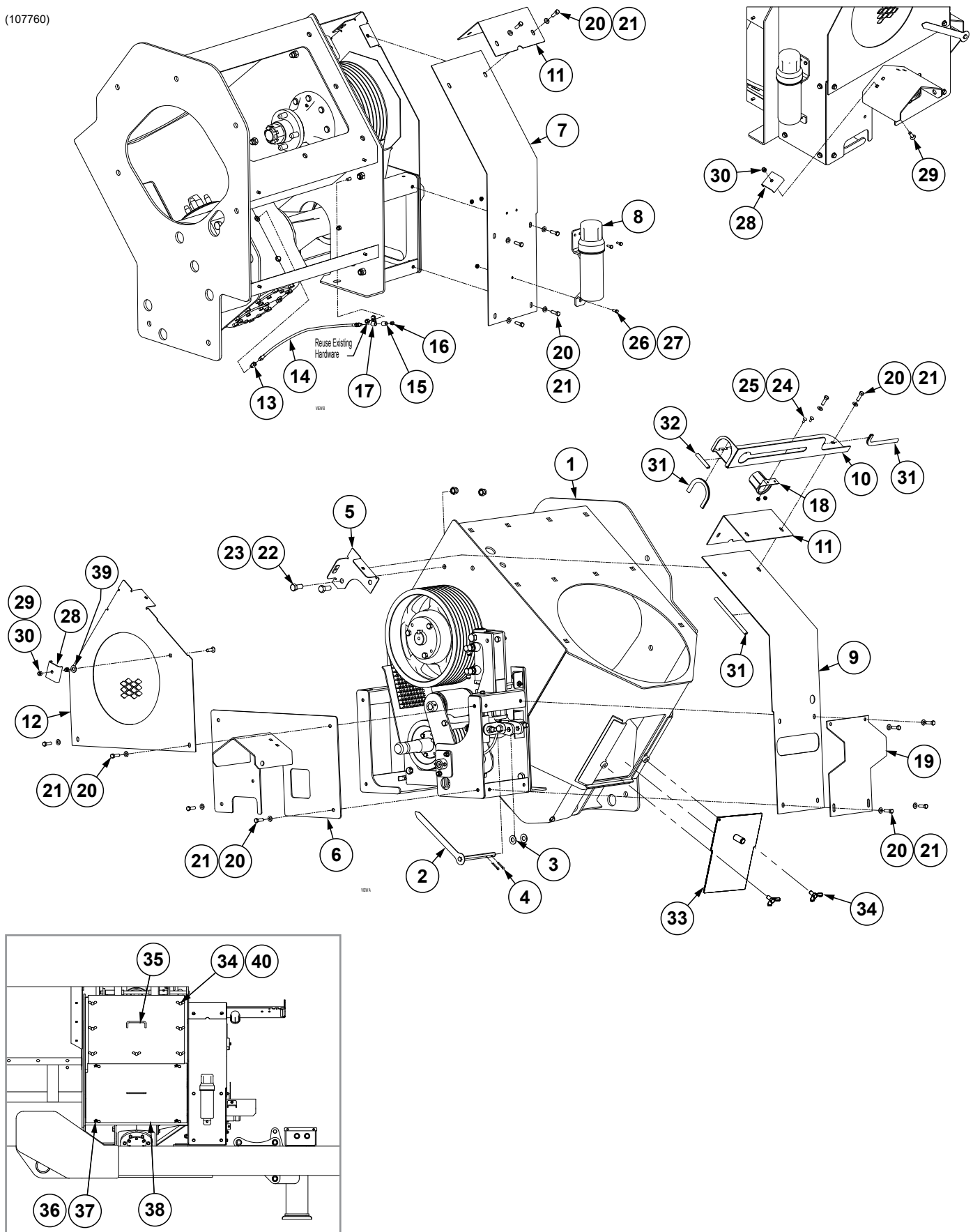


ITEM	PART NO.	QTY.	DESCRIPTION
1	G10686	1	Hex Head Cap Screw, 3/8"-16 x 8"
	G10108	1	Lock Nut, 3/8"-16
2	G10019	6	Hex Head Cap Screw, 5/16"-18 x 1"
	G10232	6	Lock Washer, 5/16"
3	GB0338	1	Idler
4	G3400-01	4	Flangette
5	GA9357	2	Bearing, 7/8" Hex, Single Lip
6	GD14631	1	Slide Bar
7	---	-	See "Horizontal Auger Drive (Idler) Cylinder, 1121" on page P74
8	GD14620	1	Support, 1121
9	GA10188	2	Cylinder Mount

ITEM	PART NO.	QTY.	DESCRIPTION
10	G10017 G10111	1 1	Hex Head Cap Screw, 1/2"-13 x 1 1/2" Lock Nut, 1/2"-13
11	---	-	See "Front Lower Housing, 1121 (2022 Production)" on page P23
12	G10005 G10107	4 4	Hex Head Cap Screw, 5/8"-11 x 1 3/4" Lock Nut, 5/8"-11
13	G10085 G10112	1 1	Hex Head Cap Screw, 3/4"-10 x 3 3/4" Lock Nut, 3/4"-10
14	G11046 G11091	1 1	Flange Screw, 3/8"-16 x 1" Large Serrated Flange Nut, 3/8"-16
15	*A1130	1	Hose Assembly, 1/4" x 180"
16	GD4086	2	ISO Coupler
17	GD14634	2	Indicator Link
18	GD14610	1	Bushing, 7/8" x 2 7/16"
19	GB0378	1	Stop Bracket
20	G10453	2	Cotter Pin, 3/16" x 1"
21	G11391	14	Washer, 5/8" SAE
22	G10743 G10107	1 1	Hex Head Cap Screw, 5/8"-11 x 3 3/4" Lock Nut, 5/8"-11
23	GA10187	1	Pointer
24	GA9310	1	Belt Cover, R.H.
25	GD2971-13	1	Sleeve, 6 9/16" Long
26	GA9311	1	Idler Arm
27	G10037 GD7889 G10111	2 2 2	Hex Head Cap Screw, 1/2"-13 x 1 1/4" Bushing, 1" O.D. x 9/16" I.D. x 7/16" Long Lock Nut, 1/2"-13
28	G10233	2	Machine Bushing, 1", 10 Gauge
29	GD13763	1	Hex Shaft, 7/8" x 8 5/8" (2 Holes)
30	G10602	2	Spring Pin, 1/4" x 1 1/2"
31	GB0377	1	Inner Link
32	G10011 G11391 G10730	2 10 2	Hex Head Cap Screw, 5/8"-11 x 5 1/2" Washer, 5/8" SAE Lock Nut W/Nylon Insert, 5/8"-11
33	GD24761	2	Compression Spring
34	GA9309	1	Belt Cover, L.H.
35	GD13694	1	Shaft, 1" x 11 3/4"
36	G10638 G10110	1 1	Hex Head Cap Screw, 1/4"-20 x 2" Lock Nut, 1/4"-20, Grade B
37	G10743 GB0218 G11391 G10107	1 2 2 1	Hex Head Cap Screw, 5/8"-11 x 3 3/4" Bushing, 2 1/32" I.D. x 7/8" O.D. x 1 9/32" Long Washer, 5/8", SAE Lock Nut, 5/8"-11
38	*A7644	1	Hose Assembly, 1/4" x 176"
39	GA26924-03 GA26924-04	1 1	Hose Label/Cover, Blue (Extend) Hose Label/Cover, Blue (Retract)

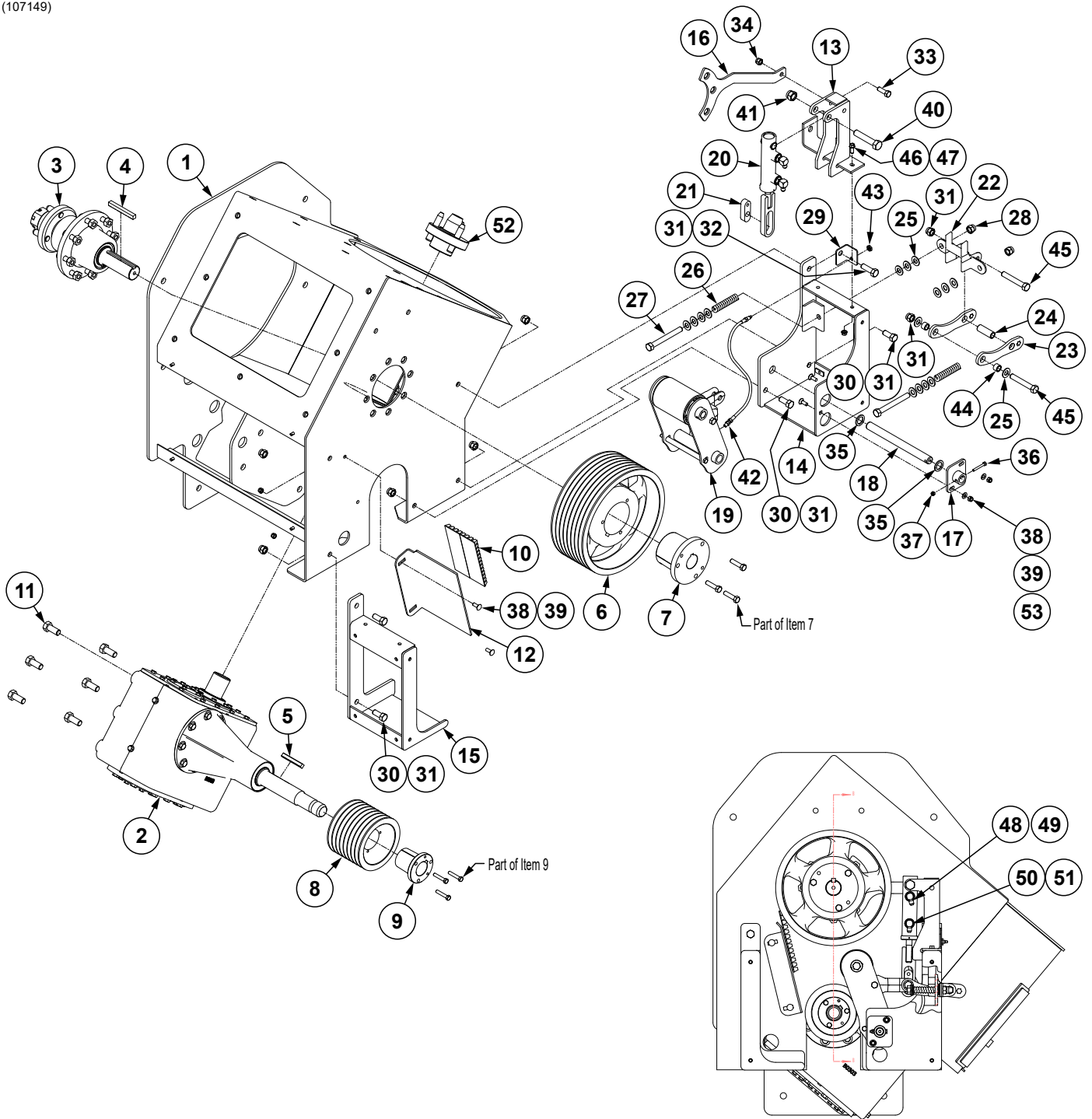
*Hydraulic hose is not stocked by Kinze Repair Parts, but can be made available on a special order basis. Call for quote.

(107760)



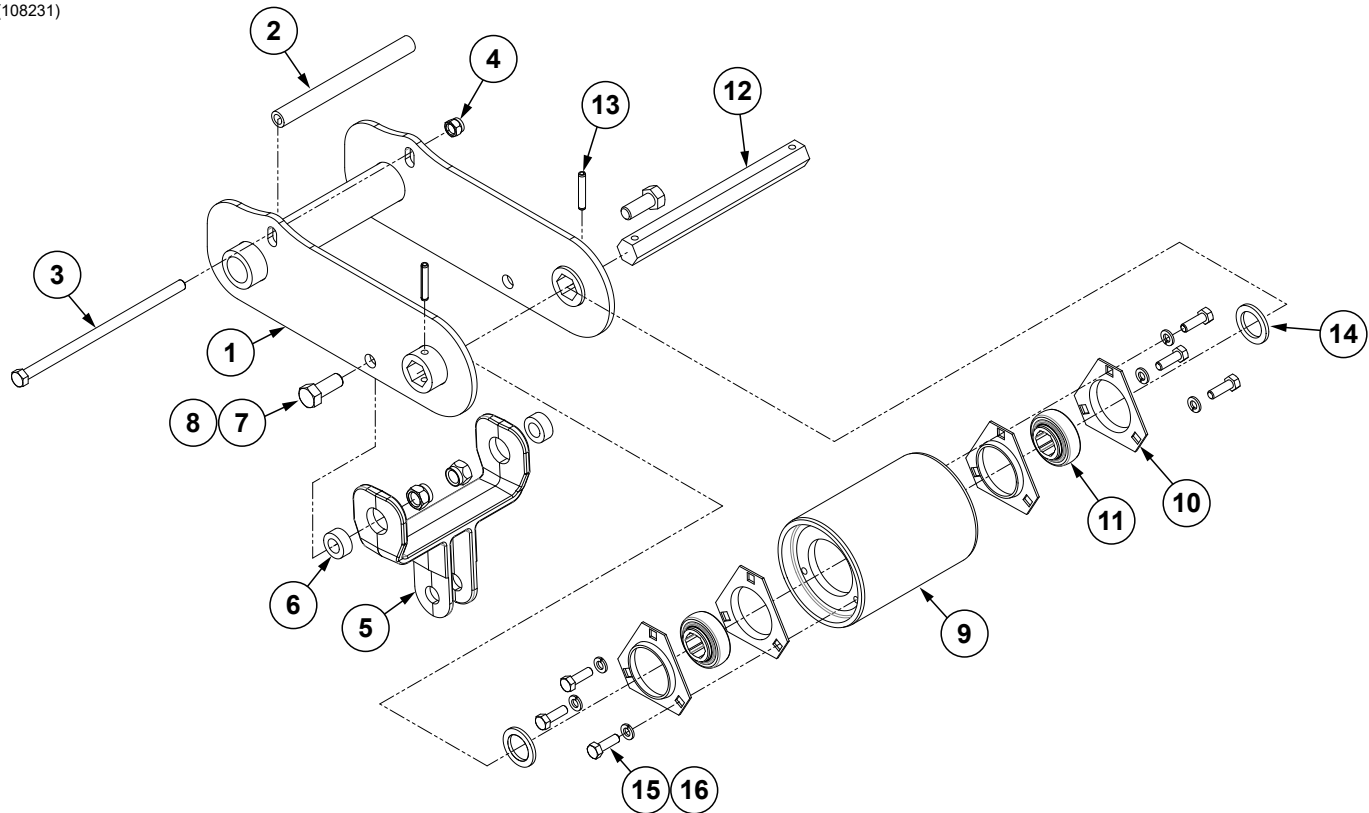
ITEM	PART NO.	QTY.	DESCRIPTION
1	---	1	See "Transfer Case Assembly, 1121 (2023 Production and On)" on page P30
2	GA10187	1	Pointer
3	G11391	2	Flat Washer, 5/8" SAE
4	G10453	2	Cotter Pin, 3/16" x 1"
5	GA9707	1	Bracket
6	GA9313	1	Lower Front Belt Housing Cover W/PTO Shield
7	GD13764	1	Side Cover
8	GA15422	1	Operator's Manual Canister
9	G10817801	1	Side Cover
10	G10534901	1	Hose Holder Bracket
11	GD13767	1	Cover
12	G10780501	1	Front Cover
13	G6405-04-02 GR1465	1	Connector W/O-Ring, 1/8" Female NPT To 1/16"-20 Male O-Ring O-Ring
14	GA0504	1	Grease Hose, 24"
15	G10125	1	Pipe Coupling, 1/8" NPT
16	GA9303	1	Relief Fitting
17	GD6291	1	Insulated Clamp, 3/8"
18	GD33707	1	Plug Protector
19	GD14311	1	Shield
20	G10004	16	Hex Head Cap Screw, 3/8"-16 x 1 1/4"
21	G11387	16	Flat Washer, 3/8" SAE
22	G10007	2	Hex Head Cap Screw, 5/8"-11 x 1 1/4"
23	G10107	2	Lock Nut, 5/8"-11
24	G10309	2	Carriage Bolt, 1/4"-20 x 5/8", Grade 5
25	G10110	2	Lock Nut, 1/4"-20, Grade B
26	G10023	3	Hex Head Cap Screw, 1/4"-20 x 3/4"
27	G10621	3	Serrated Flange Nut, 1/4"-20
28	GD5875	2	Hose Clamp, 9/16" x 2 1/2" x 2"
29	G10599	2	Carriage Bolt, 3/8"-16 x 1 1/4"
30	G10108	2	Lock Nut, 3/8"-16
31	G4425-06	3	Edge Molding, 3/16" x 8"
32	G4425-05	1	Edge Molding, 3/16" x 3"
33	G10760201	1	Slide Door
34	G10544801	9	Thumbscrew, 1/2"-13
35	G10774001	1	Transfer Case Cover
36	G10670	4	Hair Pin Clip, No. 3
37	G11386	4	Flat Washer, 5/16" SAE
38	GA9478	1	Cover
39	G11389	1	Flat Washer, 1/2" Plated SAE
40	G11389	7	Flat Washer, 1/2" Plated SAE

(107149)



ITEM	PART NO.	QTY.	DESCRIPTION
1	G10715001	1	Transfer Case
2	GA9938	1	See "Gearbox, 1121" on page P3
3	GA9242	1	See "Horizontal Auger, Bearings, and Drive, 1121" on page P33
4	GD13677	1	Key, 1/2" x 1/2" x 4 1/2"
5	GD13088	1	Key, 1/2" x 1/2" x 3 1/2"
6	GD13558	1	Pulley, 15", 8 Groove
7	GD13561	1	Bushing
8	GD13559	1	Pulley, 7 1/2", 8 Groove
9	GD13560	1	Bushing
10	GA9841	1	V-Belt Set, 4 Band, Includes: (2) 4 Band V-Belts, (1) Instructions
11	G11042	6	Hex Head Cap Screw, 3/4"-10 x 1 3/4"
12	GD13768	1	Belt Slide
13	GA10188	1	Cylinder Mount
14	GA9309	1	Belt Cover, L.H.
15	GA9310	1	Belt Cover, R.H.
16	GD14620	1	Support
17	GA17092	1	Belt Alignment Bracket
18	GD13694	1	Shaft. 1" x 11 3/4"
19	---	1	See "Idler Arm Assembly" on page P31
20	GA9616	1	See "Horizontal Auger Drive (Idler) Cylinder, 1121" on page P74
21	G10794101	1	Clevis Slide
22	GB0378	1	Stop Bracket
23	GD24851	2	Indicator Link
24	GD14610	1	Bushing, 7/8" x 2 7/16"
25	G11391	16	Flat Washer, 5/8" SAE
26	GD24761	2	Compression Spring
27	G10011	2	Hex Head Cap Screw, 5/8"-11 x 5 1/2"
28	G10730	2	Lock Nut W/Nylon Insert, 5/8"-11
29	GD14644	1	Grease Bank Bracket
30	G10007	4	Hex Head Cap Screw, 5/8"-11 x 1 1/4"
31	G10107	7	Lock Nut, 5/8"-11
32	G10008	1	Hex Head Cap Screw, 5/8"-11 x 2"
33	G10017	1	Hex Head Cap Screw, 1/2"-13 x 1 1/2"
34	G10111	1	Lock Nut, 1/2"-13
35	G10233	2	Machine Bushing, 1 1/2" x 1/32", 10 Gauge (.1345")
36	G10638	1	Hex Head Cap Screw, 1/4"-20 x 2"
37	G10110	1	Lock Nut, 1/4"-20, Grade B
38	G10305	4	Carriage Bolt, 3/8"-16 x 1"
39	G10108	4	Lock Nut, 3/8"-16
40	G10085	1	Hex Head Cap Screw, 3/4"-10 x 3 3/4"
41	G10112	1	Lock Nut, 3/4"-10
42	GA10175	1	Grease Hose W/Grease Fitting, 24"
43	G11094	1	Lock Nut, 1/8" NPT, Brass
44	GB0218	2	Bushing, 2 1/32" I.D. x 7/8" O.D. x 1 9/32" Long
45	G10036	2	Hex Head Cap Screw, 5/8"-11 x 4"
46	G11046	1	Flange Screw, 3/8"-16 x 1"
47	G11091	1	Large Serrated Flange Nut, 3/8"-16
48	*A7691-200	1	Hose Assembly, 1/4" x 200" (06M-1/2M NPTF W/Ext., W/Tip)
49	GA26924-03	1	Hose Label/Cover, Blue (Extend)
50	*A7691-196	1	Hose Assembly, 1/4" x 196" (06M-1/2M NPTF W/Ext., W/Tip)
51	GA26924-04	1	Hose Label/Cover, Blue (Retract)
52	GA10168	1	Splined Drive Lug
53	G11387	2	Flat Washer, 3/8" SAE

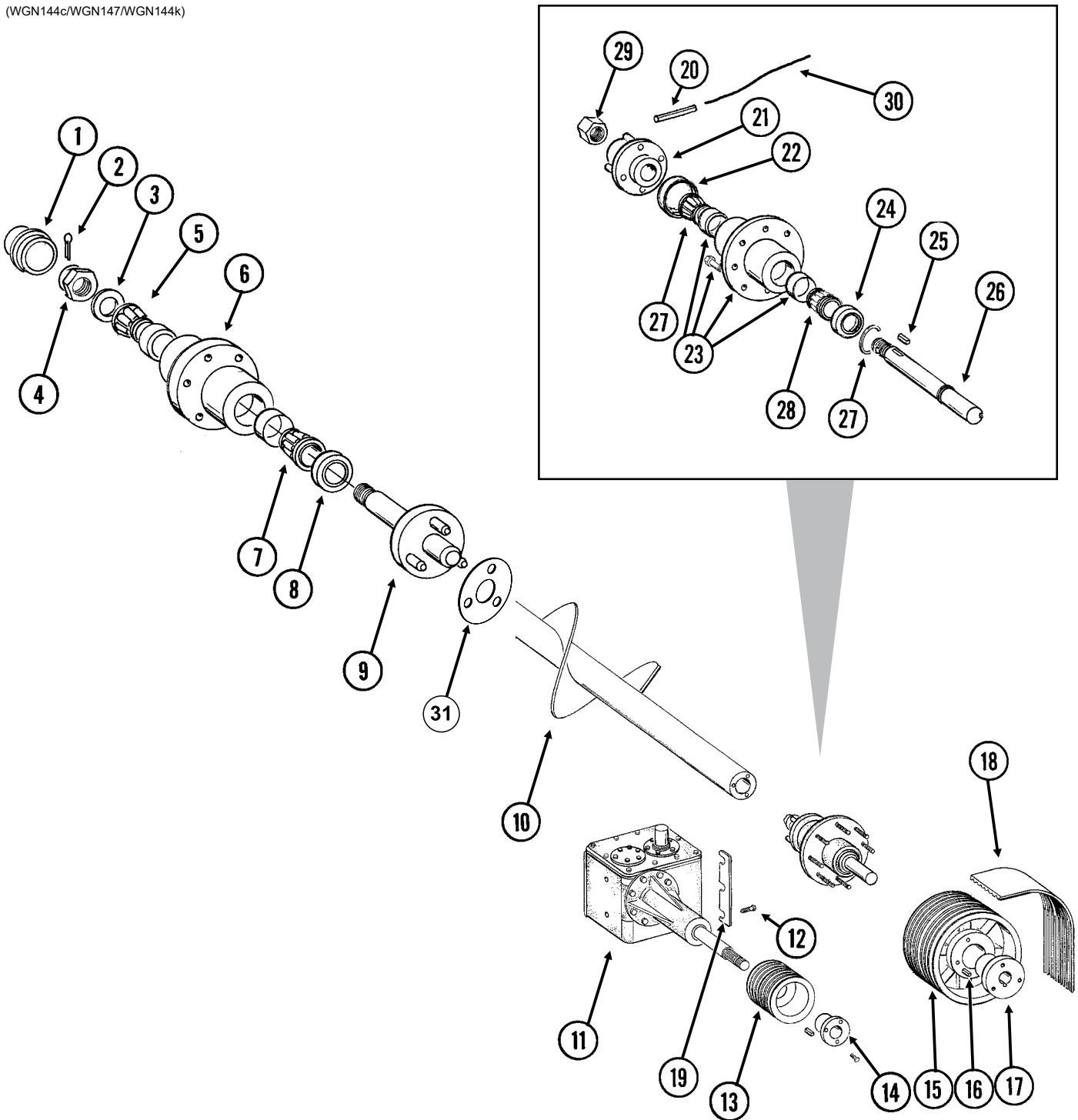
(108231)



ITEM	PART NO.	QTY.	DESCRIPTION
1	G10823001	1	Idler Belt
2	GD2971-13	1	Sleeve, 6 ⁵ / ₁₆ " Long
3	G10686	1	Hex Head Cap Screw, 3 ⁵ / ₈ "-16 x 8"
4	G10108	1	Lock Nut, 3 ⁵ / ₈ "-16
5	G10931501	1	Inner Link
6	GD7889	2	Bushing, 1" O.D. x 9 ¹ / ₁₆ " I.D. x 7 ¹ / ₁₆ " Long
7	G10037	2	Hex Head Cap Screw, 1 ¹ / ₂ "-13 X 1 ¹ / ₄ "
8	G10111	2	Lock Nut, 1 ¹ / ₂ "-13
9	GB0338	1	Idler
10	G3400-01	4	Flangette
11	GA9357	2	Bearing, 7 ⁸ / ₁₆ " Hex, Single Lip
12	GD13763	1	Hex Shaft, 7 ⁸ / ₁₆ " x 8 ⁵ / ₈ " (2 Holes)
13	G10602	2	Spring Pin, 1 ¹ / ₄ " x 1 ¹ / ₂ "
14	G10233	2	Machine Bushing, 1 ¹ / ₂ " x 1 ¹ / ₃₂ ", 10 Gauge (.1345")
15	G10019	6	Hex Head Cap Screw, 5 ¹ / ₁₆ "-18 x 1"
16	G10232	6	Lock Washer, 5 ¹ / ₁₆ "

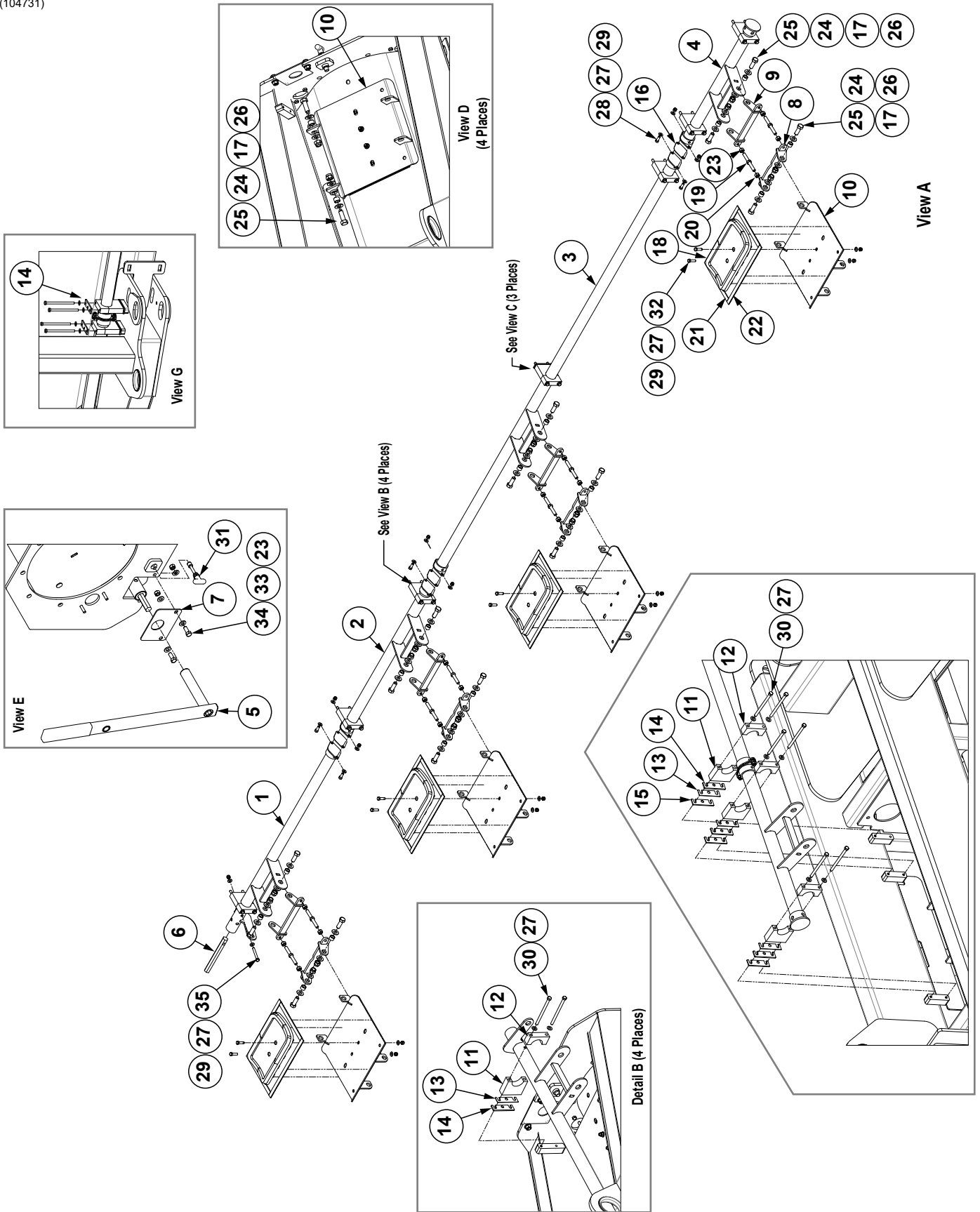
This page left blank intentionally.

(WGN144c/WGN147/WGN144k)



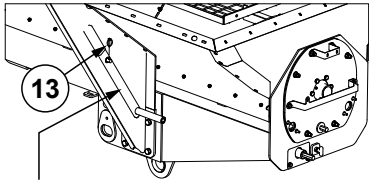
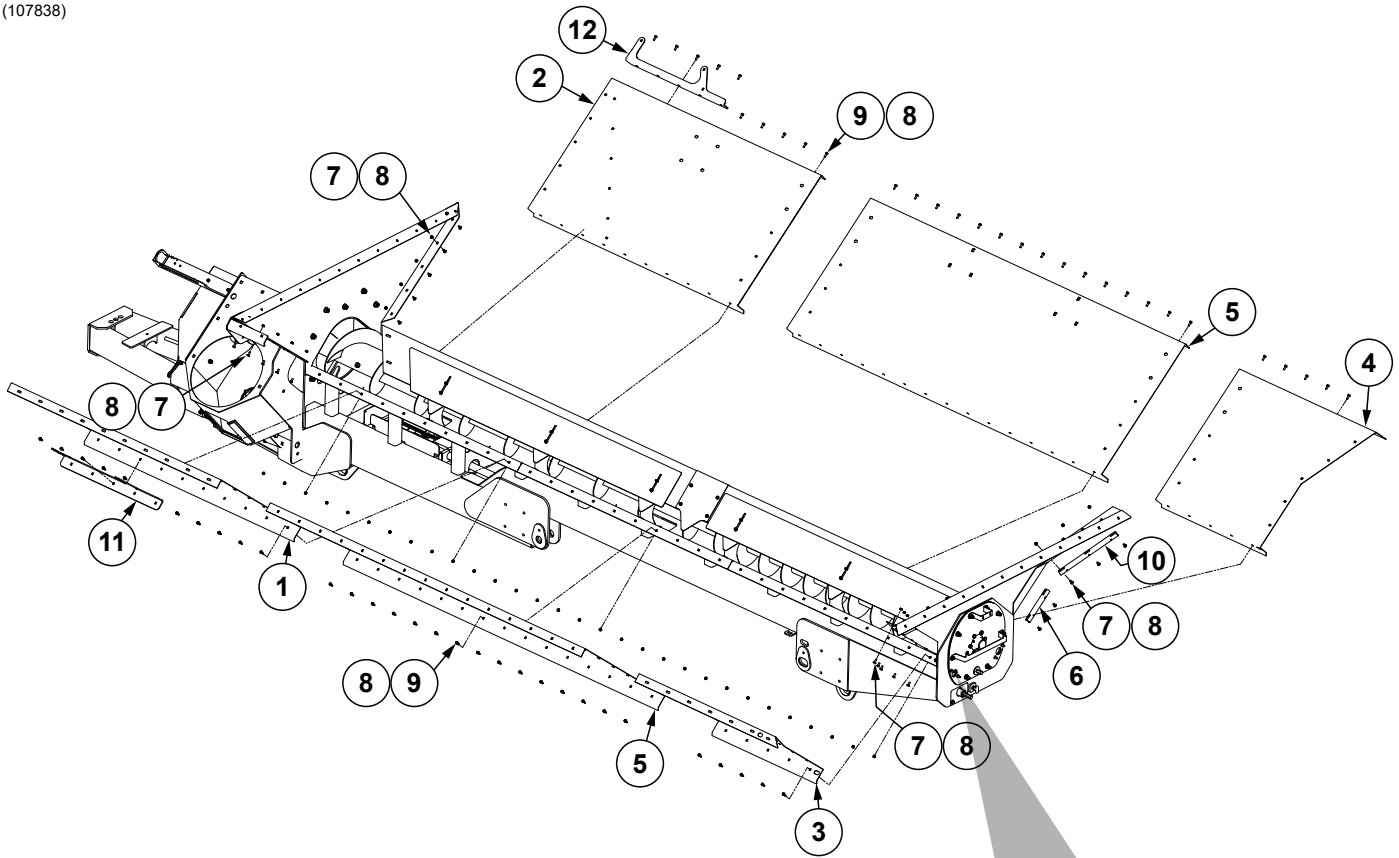
ITEM	PART NO.	QTY.	DESCRIPTION
1	G2800-01	1	Cap
2	G10459	1	Cotter Pin, 3/16" x 1 1/2"
3	G10224	1	Special Washer, 3/4", 7 Gauge
4	G11897	1	Hex Nut, 3/4"-16, Grade 5
5	GA0237	1	Bearing
6	GA9316	1	Hub W/Cups
	GR0189	-	Cup
	GR0188	-	Outer Cup
7	GA0238	1	Bearing
8	GA0239	1	Seal
9	GA9298	1	Rear Spindle
10	GA9980	1	Auger, L.H., 17" x 263"
11	---	-	See "Gearbox, 1121" on page P3
12	G11042	6	Hex Head Cap Screw, 3/4"-10 x 1 3/4"
13	GD13559	1	Pulley, 7 1/2", 8 Groove
14	GD13560	1	Bushing, Q2 x 2, Split Taper
	G10004	3	Hex Head Cap Screw, 3/8"-16 x 1 1/4"
	GD13088	1	Key, 1/2" x 1/2" x 3 1/2"
15	GD13558	1	Pulley, 15", 8 Groove
16	GD13677	1	Key, 1/2" x 1/2" x 4 1/2"
17	GD13561	1	Bushing, S1 x 2, Split Taper
18	GA9841	1	V-Belt Set, 4 Band, Includes: (2) 4 Band V-Belts, (1) Instructions
19	GD13882	-	Shim, 14 Gauge (As Required)
	GD13883	-	Shim, 12 Gauge (As Required)
	GD13884	-	Shim, 10 Gauge (As Required)
20	G10769	1	Spring Pin, 3/8" x 2 3/4"
21	GA9717	1	Hub
22	GA9291	1	Seal
23	GA9243	1	Hub W/Cups, Hardware And Grease Fitting
	GD7079	-	Cup
	GR0528	8	Lug Bolt, 5/8"-18 x 2 1/4", Grade 8
	G10825001	8	Lug Nut, 5/8"-18, Grade 8
	G10640	1	Grease Fitting, 1/4"-28
24	GA4722	1	Seal
25	GD0148	1	Key, 1/2" x 1/2" x 2 1/2"
26	GD12955	1	Drive Shaft
27	G10913	1	External Retaining Ring, 2 1/2"
28	GA9292	2	Bearing
29	G11902	1	Hex Nut, 1 3/4"-12, Grade 5
30	GD13524-01	1	Lock Wire, 10", Stainless Steel
31	G10805801	1	Horizontal Auger Three Lug Shim

(104731)

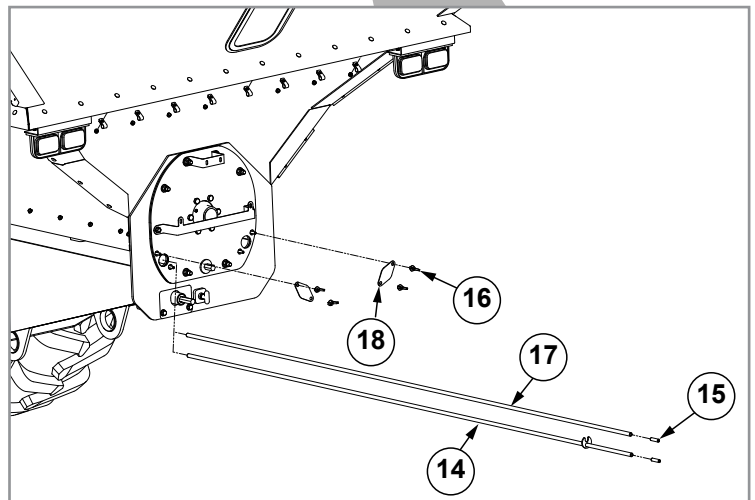


ITEM	PART NO.	QTY.	DESCRIPTION
1	G10471201	1	Torsion Rod J
2	G10472101	1	Torsion Rod K
3	G10472301	1	Torsion Rod L
4	G10472701	1	Torsion Rod M
5	G10535501 GD11649	1	Cleanout Bar Assembly Boot (Included W/G10535501)
6	G10411001	1	Hex Shaft
7	G10557001	1	Rear Cover Sheet
8	G10413301	4	L.H. Turnbuckle
9	G10413401	4	R.H. Turnbuckle
10	G10413001	4	Dump Door
11	G10556901	7	Plastic Clamp
12	G10414501	7	Plastic Clamp
13	G10535701	7	Clamp Shim, 16 Gauge (.0598")
14	G10556701	8	Clamp Shim , 7 Gauge (.1793")
15	G10558801	3	Shim, 10 Gauge (.1345")
16	G10557101	3	Shim, 16 Gauge (.0598")
17	GB0218	24	Bushing, ² / ₃₂ " I.D. x ⁷ / ₈ " O.D. x ¹ / ₃₂ " Long
18	G10599302	4	Cleanout Insert Assembly
19	G10414101	8	Rod Turnbuckle
20	G10415101	8	L.H. Hex Nut, 1/2"-13, Grade 5
21	G10540203	8	Seal, 3/4" x 1/8" x 9 1/2"
22	G10540204	8	Seal, 3/4" x 1/8" x 15"
23	G10102	10	Hex Nut, 1/2"-13
24	G11391	48	Flat Washer, 5/8" SAE
25	G10005	24	Hex Head Cap Screw, 5/8"-11 x 1 3/4"
26	G10107	24	Lock Nut, 5/8"-11
27	G11387	36	Flat Washer, 3/8" SAE
28	G10001	6	Hex Head Cap Screw, 3/8"-16 x 1"
29	G10108	15	Lock Nut, 3/8"-16
30	G10634201	14	Hex Head Cap Screw, 3/8"-16 x 5 1/2", Grade 5 (Blue Loctite)
31	G10644201	1	Twist to Lock Spring Plunger
32	G10004	8	Hex Head Cap Screw, 3/8"-16 x 1 1/4"
33	G11389	4	Flat Washer, 1/2" Plated SAE
34	G10037	2	Hex Head Cap Screw, 1/2"-13 X 1 1/4"
35	G10062	1	Hex Head Cap Screw, 3/8"-16 x 3"

(107838)

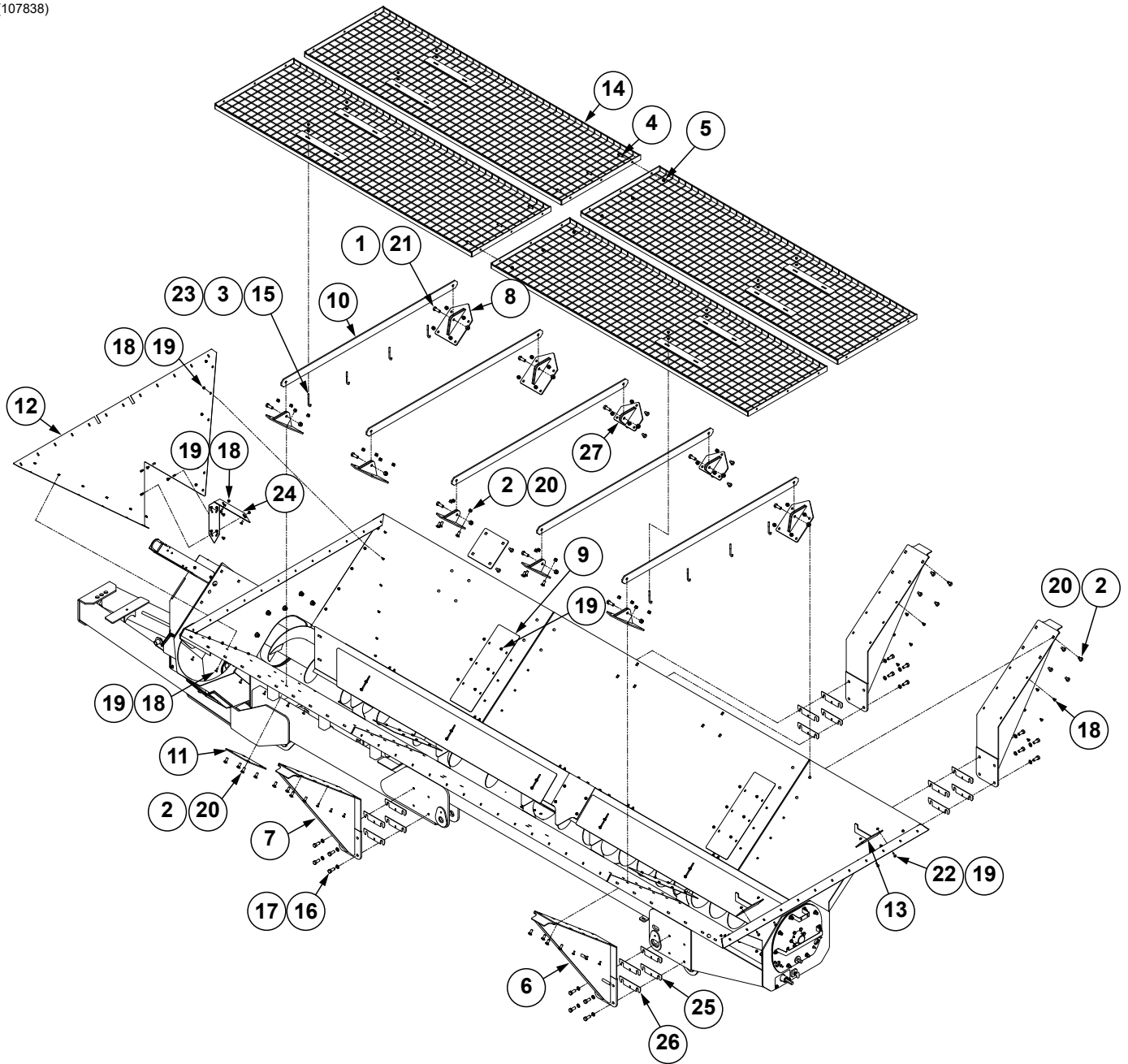


Cleanout Sweep Push Rod Storage Location



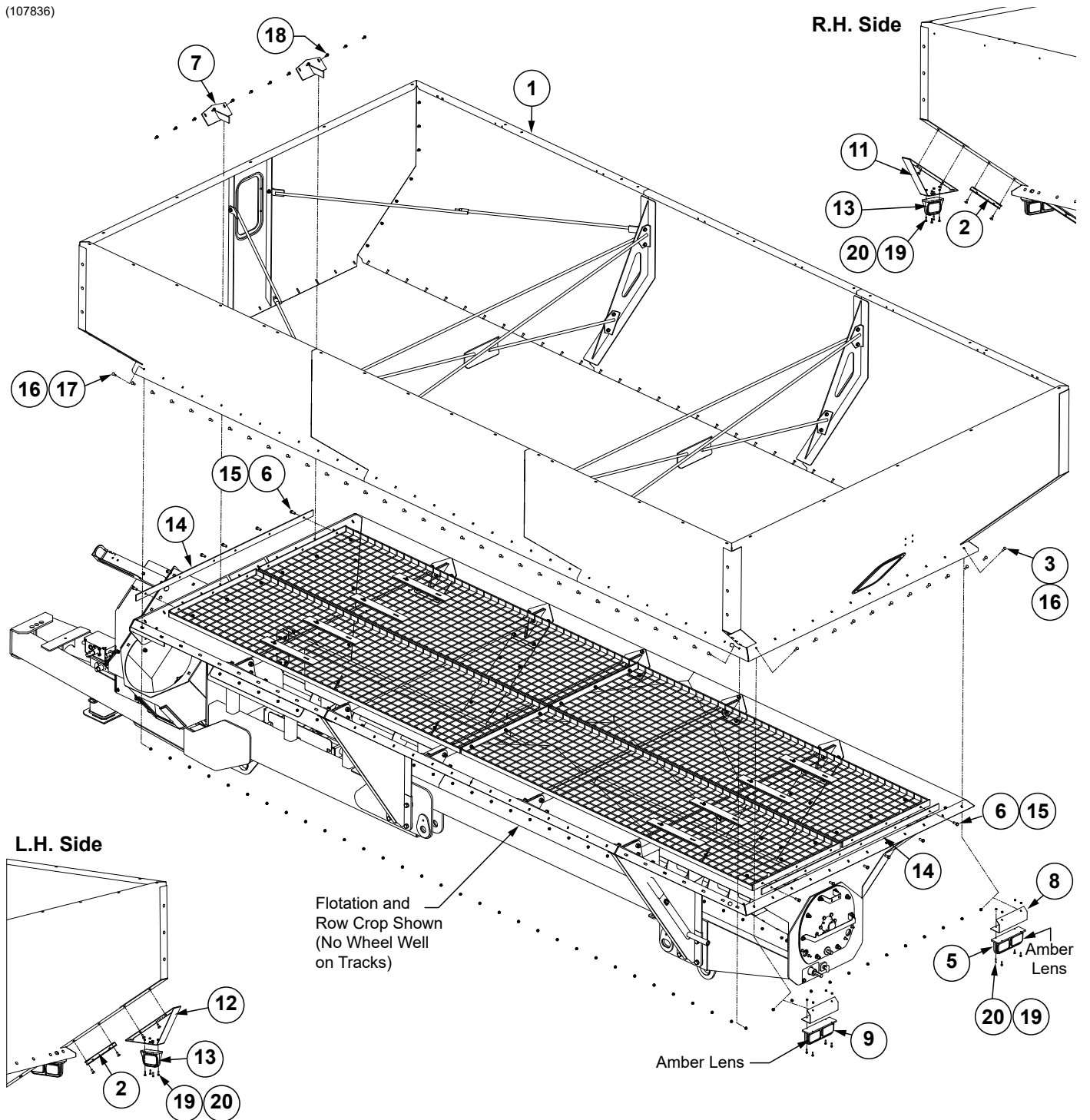
ITEM	PART NO.	QTY.	DESCRIPTION
1	GD12879	1	Lower Front Side Panel, L.H.
2	GD12878	1	Lower Front Side Panel, R.H.
3	GD12881	1	Lower Rear Side Panel, L.H.
4	GD12880	1	Lower Rear Side Panel, R.H.
5	GA9343	2	Lower Center Panel, Sof-Trak Wagon (Shown)
	GA9261	2	Wheel Well, Sof-Tred And Row Crop Wagons
6	GD13779	1	Wiring Harness Bracket
7	G10305	-	Carriage Bolt, 3/8"-16 x 1"
8	G11091	-	Large Serrated Flange Nut, 3/8"-16
9	G11046	-	Hex Non-Serrated Flange Cap Screw, 3/8"-16 X 1", Grade 5
10	GD16021	1	Wiring Harness Bracket
11	GD15973	1	Tie Plate, L.H.
12	GD15974	1	Tie Plate, R.H.
13	GD2558	1	Lynch Pin, 1/4"
14	GA9368	1	Push Rod Assembly, 117 1/2"
15	G11051	2	Hex Socket Set Screw, 1/2"-13 x 2"
16	G10163	4	Wing Nut, 3/8"-16
17	GD13803	1	Push Rod, 117 1/2"
18	GD12947	2	Rod Storage Cover Plate

(107838)



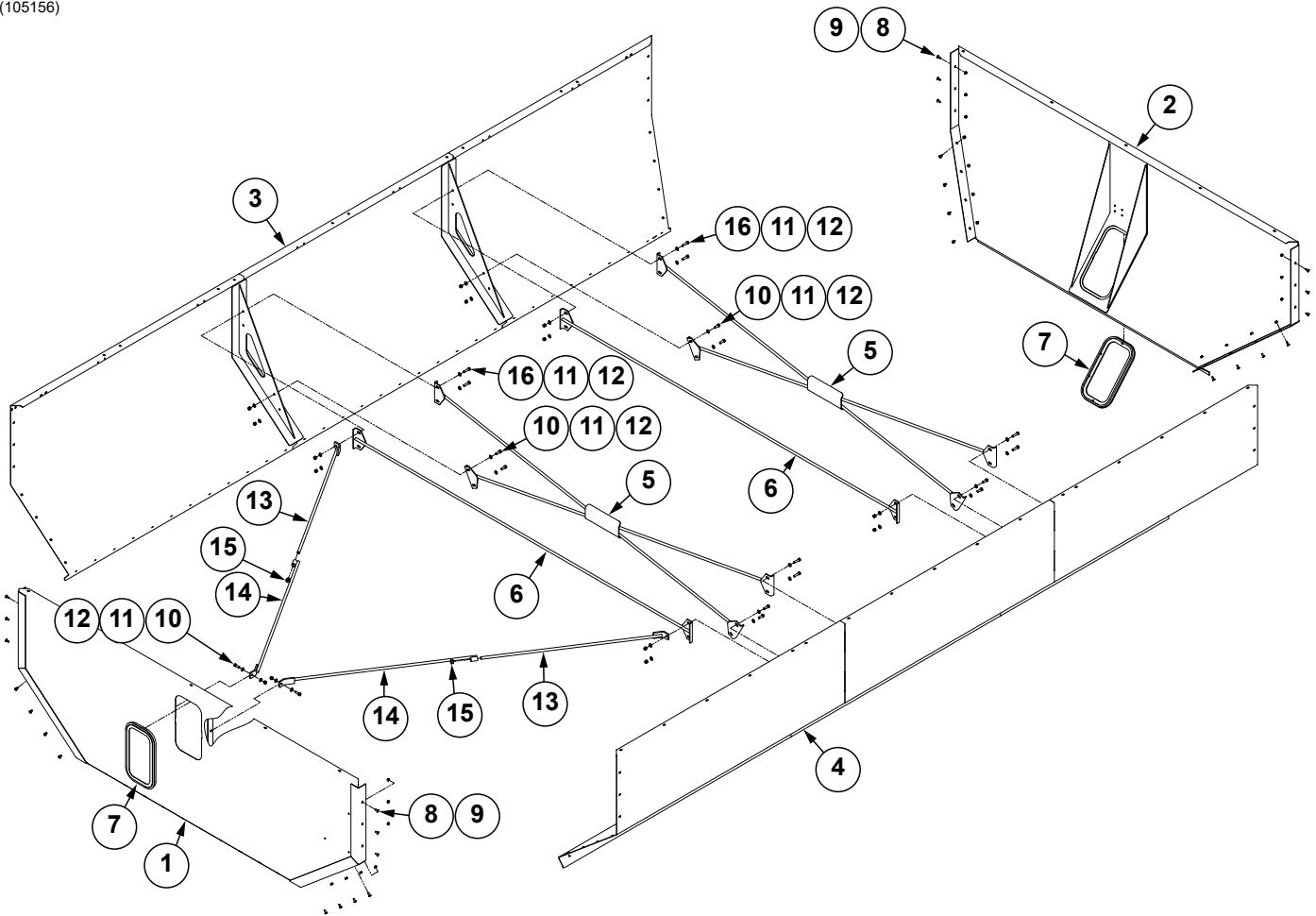
ITEM	PART NO.	QTY.	DESCRIPTION
1	G10112	21	Lock Nut, 3/4"-10
2	G10107	54	Lock Nut, 5/8"-11
3	G11387	40	Washer, 3/8" SAE
4	G10017	6	Hex Head Cap Screw, 1/2"-13 x 1 1/2"
5	G10111	6	Lock Nut, 1/2"-13
6	G10569001	1	Side Stake W/Cleanout Storage
7	GA14864	3	Side Stake
8	GA9270	6	X-Brace
9	GD13045	4	Seam Cover
10	GD13042	5	Brace, 3" x 827/16"
11	GD13050	2	Panel Support
12	G11045001	1	Baffle Tunnel Cover
13	GA9716	2	Rear Support
14	GA9699	4	Screen, 37 1/4" x 120 3/4"
15	GD20225	8	J-Bolt, 3/8"-16 x 4 3/4"
16	G11042	16	Hex Head Cap Screw, 3/4"-10 x 1 3/4"
17	G10231	16	Lock Washer, 3/4"
18	G10305	88	Carriage Bolt, 3/8"-16 x 1"
19	G11091	152	Large Serrated Flange Nut, 3/8"-16
20	G11043	36	Carriage Bolt, 5/8"-11 x 1 1/2"
21	G10026	10	Hex Head Cap Screw, 3/4"-10 x 2"
22	G11046	64	Flange Screw, 3/8"-16 x 1"
23	G10108	8	Lock Nut, 3/8"-16
24	GD14036	2	Tunnel Cover Tie
25	GD21336	8	Shim, 16 Gauge (As Required)
26	GD21335	8	Shim, 10 Gauge (As Required)
27	GA9276	4	Support

(107836)



ITEM	PART NO.	QTY.	DESCRIPTION
1	---	1	See "Upper Tank Assembly" on page P43
2	GD13779	2	Wiring Harness Bracket
3	G10301	12	Carriage Bolt, 3/8"-16 x 1 1/2"
4	GD13739	1	Pin, 1" x 17"
5	GA15469	1	Tail Flasher, R.H.
6	G10037	12	Hex Head Cap Screw, 1/2"-13 X 1 1/4"
7	GA9715	2	Front Support
8	G10569601	2	Light Bracket
9	GA15470	1	Tail Flasher, L.H.
11	G10516301	1	Light Bracket, R.H.
12	G10516401	1	Light Bracket, L.H.
13	GA15471	2	Flasher, Amber
14	GD13881	2	Tie Bar, 2" x 75"
15	G10111	12	Lock Nut, 1/2"-13
16	G11091	76	Large Serrated Flange Nut, 3/8"-16
17	G10599	64	Carriage Bolt, 3/8"-16 x 1 1/4"
18	G11046	12	Hex Non-Serrated Flange Cap Screw, 3/8"-16 X 1", Grade 5
19	G10064	16	Hex Head Cap Screw, 1/4"-20 x 1"
20	G10110	16	Lock Nut, 1/4"-20, Grade B

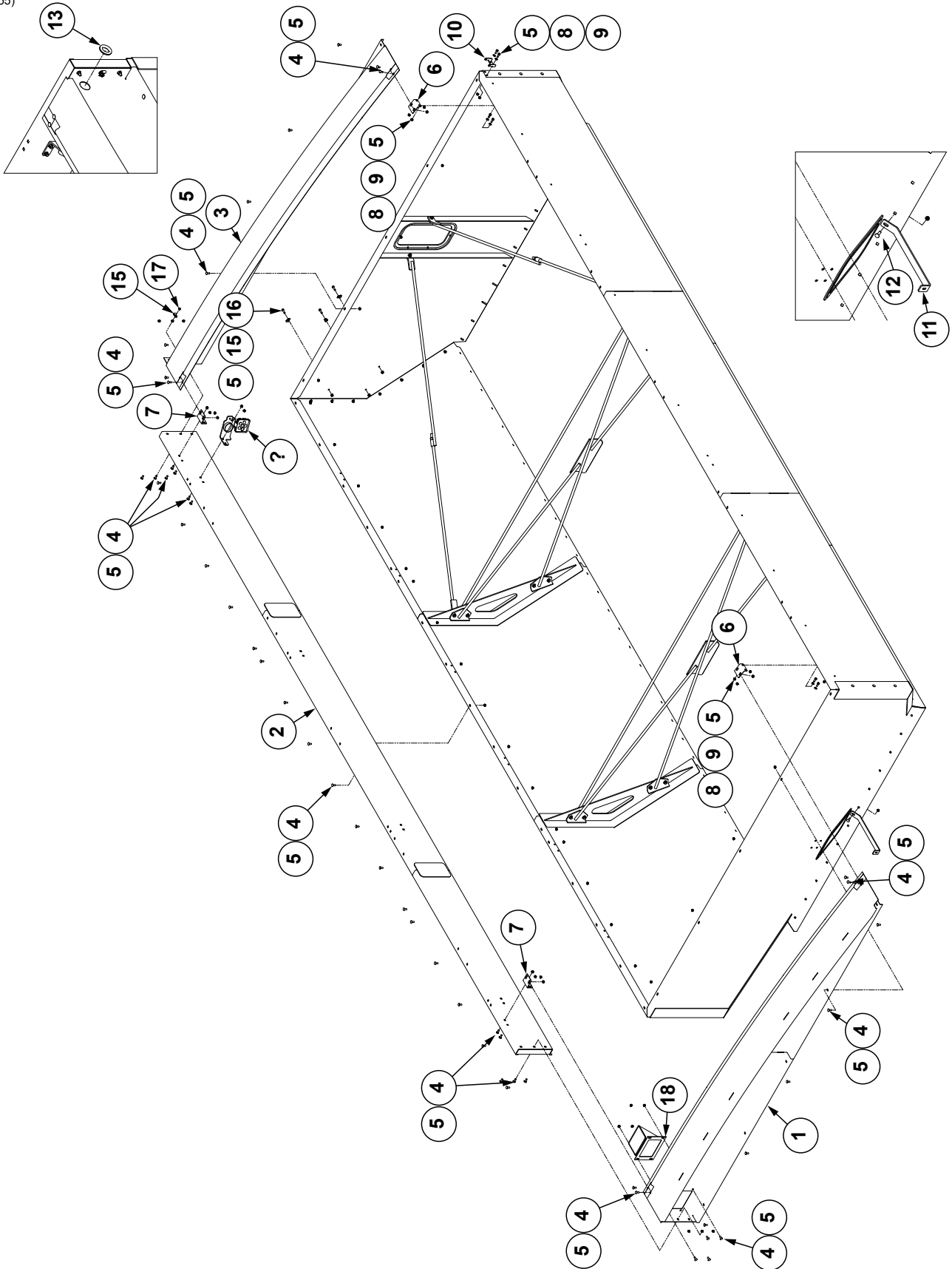
(105156)



ITEM	PART NO.	QTY.	DESCRIPTION
1	G10502401	1	Front Panel (Less Window)
2	G10502301	1	Rear Panel (Less Window)
3	G10502501	1	Side Panel, R.H.
4	G10502601	1	Side Panel, L.H.
5	GA9277	2	Cross Brace
6	GA9278	2	Tie Rod
7	GA9300	2	Window Assembly
8	G10305	28	Carriage Bolt, 3/8"-16 x 1"
9	G11091	28	Large Serrated Flange Nut, 3/8"-16
10	G10017	10	Hex Head Cap Screw, 1/2"-13 x 1 1/2"
11	G11389	36	Flat Washer, 1/2" SAE
12	G10111	18	Lock Nut, 1/2"-13
13	GA14692	2	Front Panel Brace
14	GA14691	2	1121 Front Panel Brace
15	G10105	2	Hex Nut, 3/4"-10
16	G10016	8	Hex Head Cap Screw, 1/2"-13 x 2"

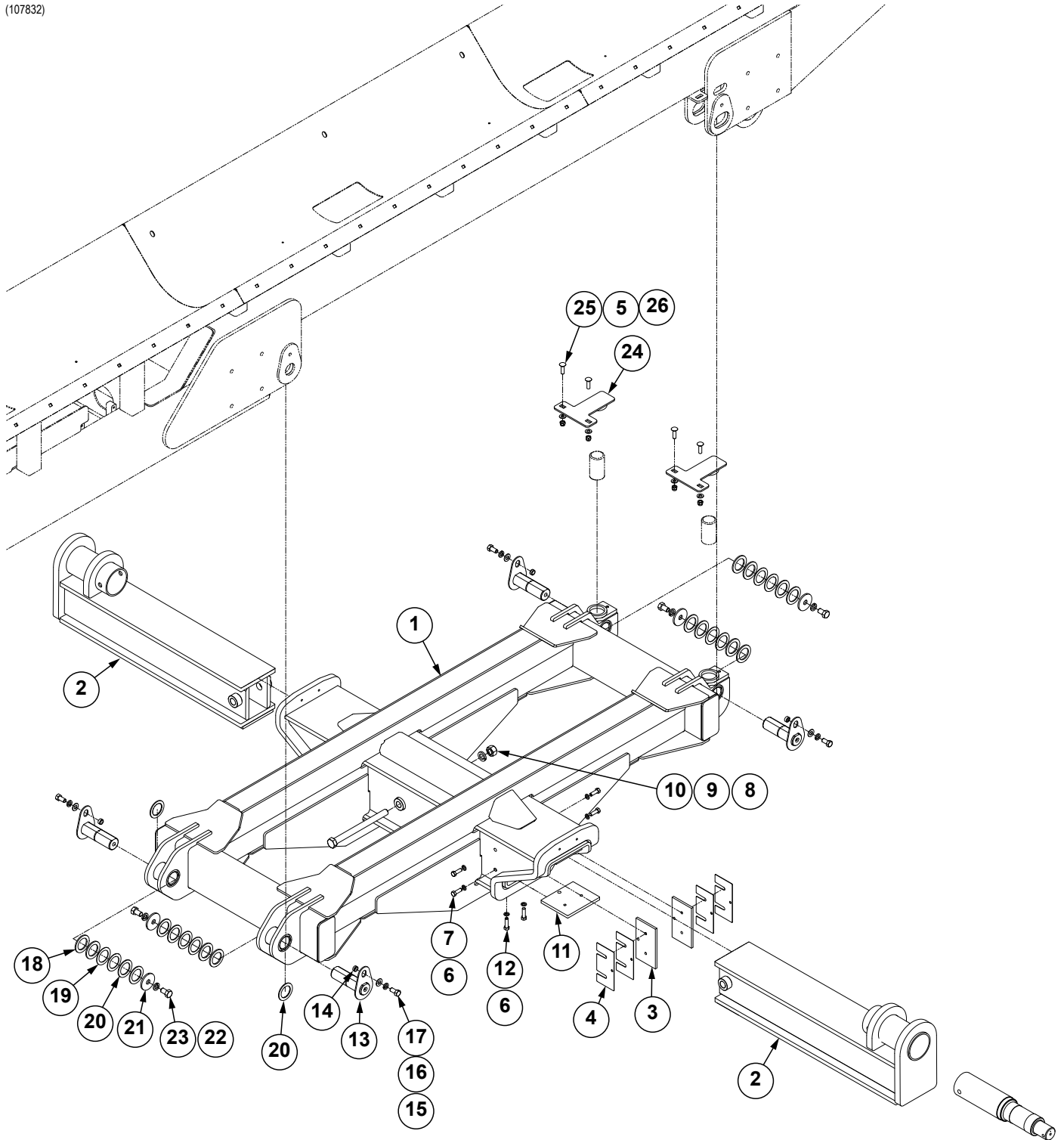
This page left blank intentionally.

(105855)



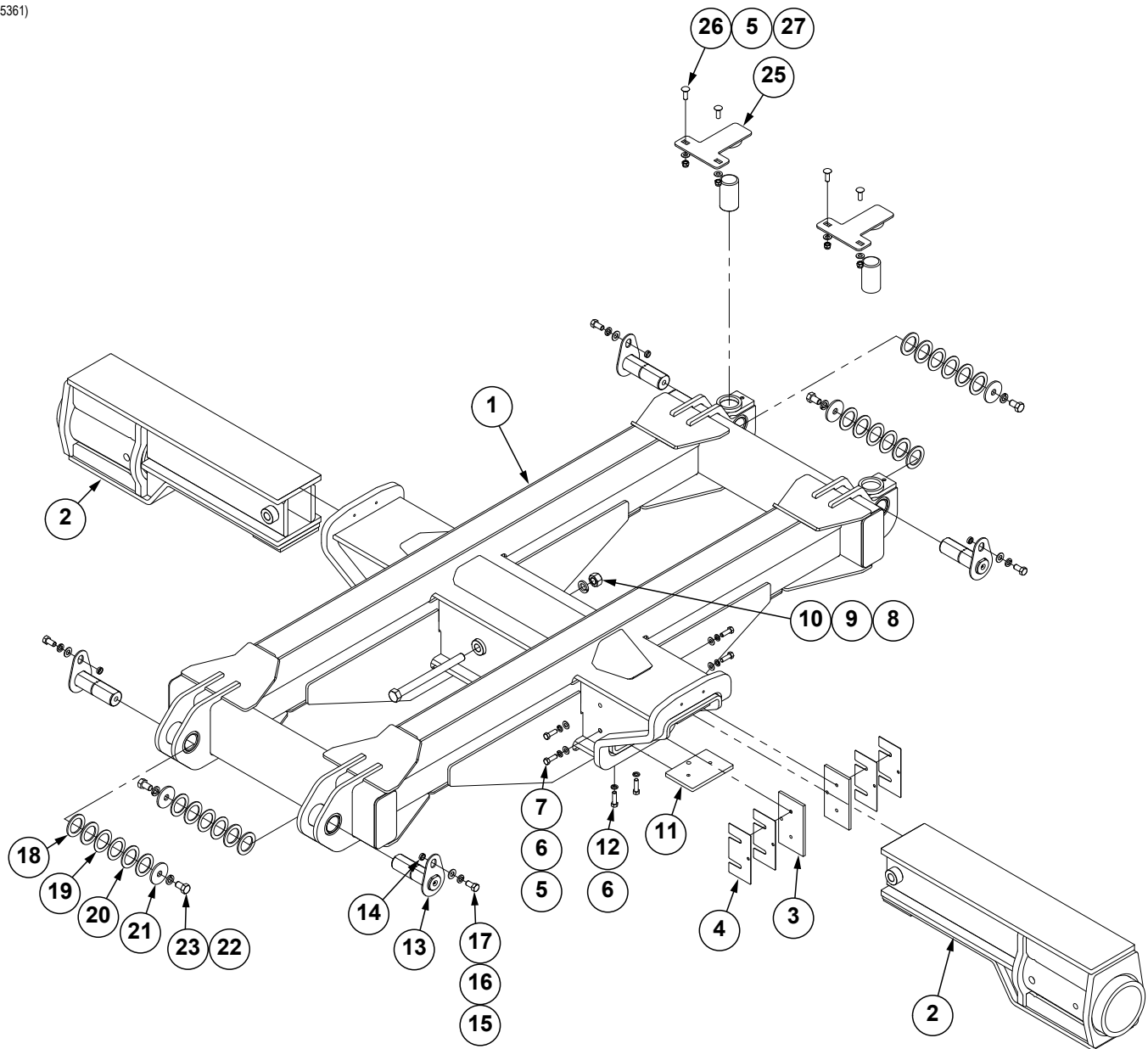
ITEM	PART NO.	QTY.	DESCRIPTION
1	G11073301	1	Rear Tarp Panel
2	G10523301	1	L.H. Tarp Panel
3	G10496901	1	Front Tarp Panel
4	G10305	51	Carriage Bolt, 3/8"-16 x 1"
5	G11091	60	Large Serrated Flange Nut, 3/8"-16
6	G10497401	2	Lower Cap Bracket
7	G10497301	2	Upper Cap Bracket
8	G10001	6	Hex Head Cap Screw, 3/8"-16 x 1"
9	G11387	6	Flat Washer, 3/8" SAE
10	G10546501	1	Tarp Roller Bracket
11	G10497501	1	Crank Retainer Bracket
12	G10301	1	Carriage Bolt, 3/8"-16 x 1 1/2"
13	GR2126	1	1 1/2" Push-In Grommet
14	GA24396	1	See "Work Lights and Miscellaneous" on page P85
15	GD6291	4	Insulated Clamp, 3/8"
16	G10004	3	Hex Head Cap Screw, 3/8"-16 x 1 1/4"
17	G10101	1	Hex Nut, 3/8"-16
18	G11218001	1	Tarp Vent

ITEM	PART NO.	QTY.	DESCRIPTION
1	G11013101	5	Bow
2	G11091	59	Large Serrated Flange Nut, 3/8"-16
3	G10108	1	Locknut, 3/8"-16
4	G10047	1	Hex Head Cap Screw, 3/8"-18 x 1 1/4"
5	G10610	1	Spring Pin, 3/8" x 2"
6	GA13345	1	Universal Joint Clip
7	GA13344	1	Universal Joint Crank
8	GA22746	1	Crank Extension W/Insert
9	GA21313	1	Crank Arm, Short
10	G10590301	1	Cable Return Assembly
	G10999401	1	Front Cable Return Plate (Included W/G10590301)
11	GD18976	4	Tarp Stop Bracket
12	GD31526	4	Tarp Stop Shank
13	GD18978	8	Tarp Stop Pin
14	GD20596	8	Bow Tie Cotter Pin, 1 3/8"
15	GD32354	4	Tarp Stop Bracket
16	G10985	18	Hex Washer Head Cap Screw, 3/8"-16 x 1"
17	G10305	50	Carriage Bolt, 3/8"-16 x 1"
18	G10589701	1	Roll Tube
19	G10590101	1	Cable Spool
20	G10061	1	Hex Head Cap Screw, 3/8"-16 x 3 1/2"
21	G11387	2	Flat Washer, 3/8" SAE
22	G10901	1	Lock Nut, 3/8"-16
23	G10590201	10	Single Bow Horizontal Bracket
24	G10589101	2	Side Mount Latch Plate, 96"
25	G10589401	1	Side Mount Latch Plate, 70.13"
26	G10589501	1	Crank Support Bracket
27	GD18980	1	Crank Retainer Hook
28	GD18987	1	Crank Retainer Bushing
29	G11271	1	Hex Socket Flange Cap Screw, 1/2"-13 x 1 1/4"
30	G10111	1	Lock Nut, 1/2"-13
31	G10590001	2	Roll Tube Deflector
32	G10589301	2	Rear Arm Bearing Ring
33	G10589201	1	Roller Guide
34	GD18974	1	Roll Tube End Plug
35	G10590401	1	Cable Retainer
36	G10721001	3	Phillips Pan Head Tapping Screw, 10-16 x 1/2"
37	G10004	1	Hex Head Cap Screw, 3/8"-16 x 1 1/4"
38	G10001	3	Hex Head Cap Screw, 3/8"-16 x 1"
39	G10101	7	Hex Nut, 3/8"-16
40	G10229	7	Lock Washer, 3/8"
41	G10589801	1	Fixed Tube
42	G10019	4	Hex Head Cap Screw, 5/16"-18 x 1"
43	G10109	4	Lock Nut, 5/16"-18, Grade 8
44	G11386	4	Flat Washer, 5/16" SAE
45	---	---	---
46	GD18990	8	Half Round Tarp Clamp
47	GD19068	12	Phillips Pan Head Self-Tapping Screw, 1/4" x 3/4"
48	GD18975	2	Fixed Tube End Plug
49	G11723	2	Phillips Flat Head Tapping Screw, 1/4"-14 x 3/4"
50	G10744201	10	Cotter Pin, 3/16" x 1 1/4"
51	G10589901	1	Tarp, 1121
52	GA22703	3	Ratchet W/1" Ridge Strap
53	GA22704	3	Ridge Strap
54	GD32358	6	Bushing, 1/2" O.D. x 3/8" I.D. x 1/4"
55	G10591801	1	Back Cable Return Plate
A	G1K477	-	Tarp Repair Kit, Includes: (2) 10" x 6' Pieces of Tarp Material, (1) Pint Thinner, (1) Quart Glue, (1) Instructions



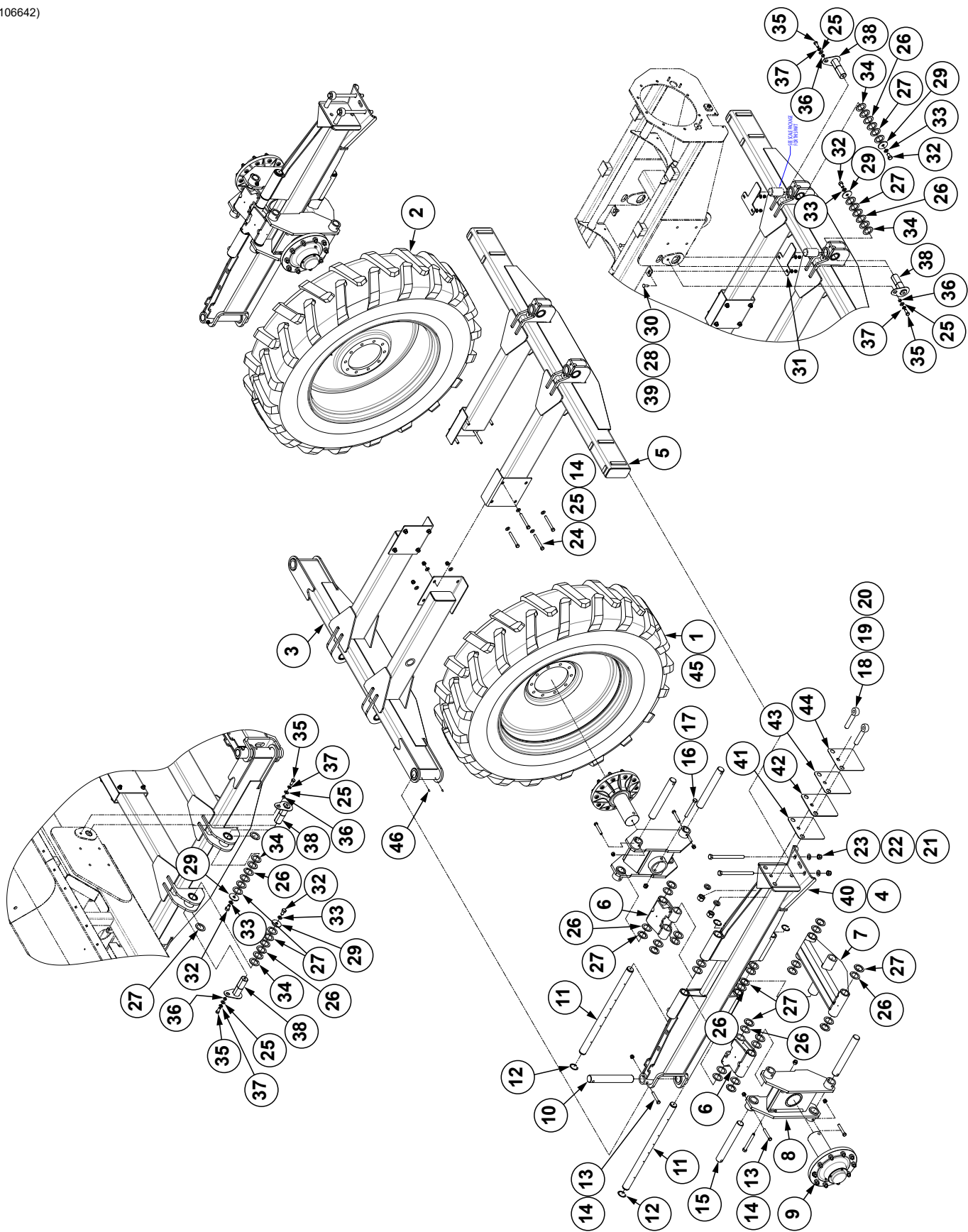
ITEM	PART NO.	QTY. (Per Cart)	DESCRIPTION
1	G10988801	1	Axle Undercarriage, Flotation
2	G10838301 GD22536	2	Stub Axle Spindle, 4½", 20 Bolt Hub
3	G10536201	4	Axle Bar
4	G10460101	8	Axle Shim
5	G11389	4	Flat Washer, ½" Plated SAE
6	G10228	12	Lock Washer, ½"
7	G10017	8	Hex Head Cap Screw, ½"-13 x 1½"
8	GD19789	2	Hex Head Cap Screw, 1"-8 x 12¼"
9	G10118	2	Lock Washer, 1"
10	G10117	2	Hex Nut, 1"-8
11	G10515201	2	Stop, 4.438" x 7½"
12	G10039	4	Hex Head Cap Screw, ½"-13 x 1¾"
13	GA9221 G10640 G10007 G10230 G11391	4 - 4 4 4	Axle Pin W/Grease Fitting Grease Fitting, ¼"-28 Hex Head Cap Screw, ⅝"-11 x 1½" Lock Washer, ⅝" Flat Washer, ⅝" SAE
14	G10810401	4	Bushing, ⅞" O.D. x .635" I.D. x ⅜"
15	G11391	4	Flat Washer, ⅝" SAE
16	G10230	4	Lock Washer, ⅝"
17	G10007	4	Hex Head Cap Screw, ⅝"-11 x 1½"
18	G10404	8	Machine Bushing, 3⅞" x 2⅞" x ⅜"
19	G10336	8	Machine Bushing, 2⅞", 14 Gauge (.0747")
20	G10234	10	Machine Bushing, 2⅞", 10 Gauge (.1345")
21	GD9592 G10156 G10231 G10404 G10336 G10234	4 4 4 8 8 8	Special Washer Hex Head Cap Screw, ¾"-10 x 1¼" Lock Washer, ¾" Machine Bushing, 3⅞" x 2⅞" x ⅜" Machine Bushing, 3⅞" x 2⅞", 14 Gauge Machine Bushing, 2⅞", 10 Gauge
22	G10231	4	Lock Washer, ¾"
23	G10156	4	Hex Head Cap Screw, ¾"-10 x 1¼"
24	GA9225 GD13808	2 2	Load Cell Top Mount Load Cell Blank
25	G11162	4	Carriage Bolt, ½"-13 x 1¾"
26	G10111	4	Lock Nut, ½"-13

(105361)



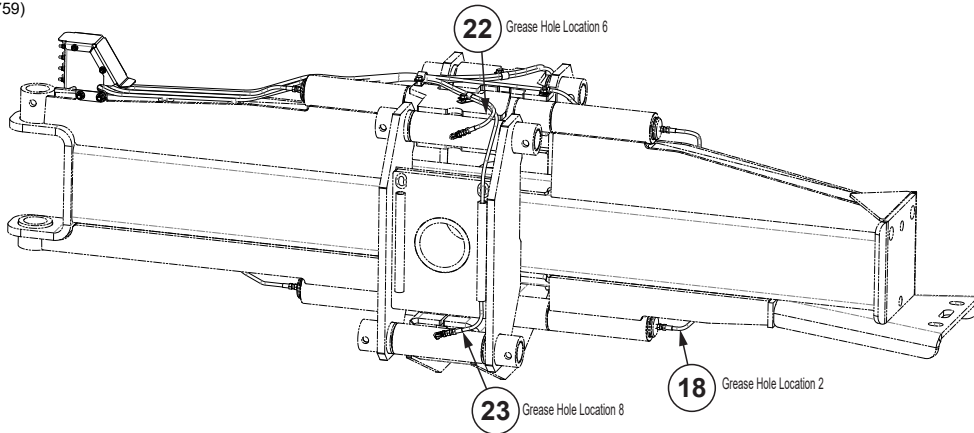
ITEM	PART NO.	QTY. (Per Cart)	DESCRIPTION
1	G10988801	1	Axle Undercarriage
2	G10442001	2	Stub Axle
3	G10536201	4	Axle Shim Plate
4	G10460101	-	Axle Shim (As Required)
5	G11389	4	Flat Washer, 1/2" Plated SAE
6	G10228	12	Lock Washer, 1/2"
7	G10017	8	Hex Head Cap Screw, 1/2"-13 x 1 1/2"
8	GD19789	2	Hex Head Cap Screw, 1"-8 x 12 1/4"
9	G10118	2	Lock Washer, 1"
10	G10117	2	Hex Nut, 1"-8
11	G10515201	2	Stop, 4.438" x 7-1/2"
12	G10039	4	Hex Head Cap Screw, 1/2"-13 x 1 3/4"
13	GA9221	4	Axle Pin W/Grease Fitting
	G10640	-	Grease Fitting, 1/4"-28
14	GD1109	4	Bushing, 4 1/64" I.D. x 7/8" O.D. x 1/4" Long
15	G11391	4	Flat Washer, 5/8" SAE
16	G10230	4	Lock Washer, 5/8"
17	G10007	4	Hex Head Cap Screw, 5/8"-11 x 1 1/2" (Stop Bolt)
18	G10404	-	Machine Bushing, 3 1/8" x 2 1/8" x 3/16" (As Required)
19	G10336	-	Machine Bushing, 2 1/8", 14 Gauge (.0747") (As Required)
20	G10234	-	Machine Bushing, 2 1/8", 10 Gauge (.1345") (As Required)
21	GD9592	4	Special Washer
22	G10231	4	Lock Washer, 3/4"
23	G10156	4	Hex Head Cap Screw, 3/4"-10 x 1 1/4"
24	---	---	---
25	GA9225	2	Load Cell Top Mount
26	G11162	4	Carriage Bolt, 1/2"-13 x 1 3/4"
27	G10111	4	Lock Nut, 1/2"-13

(106642)

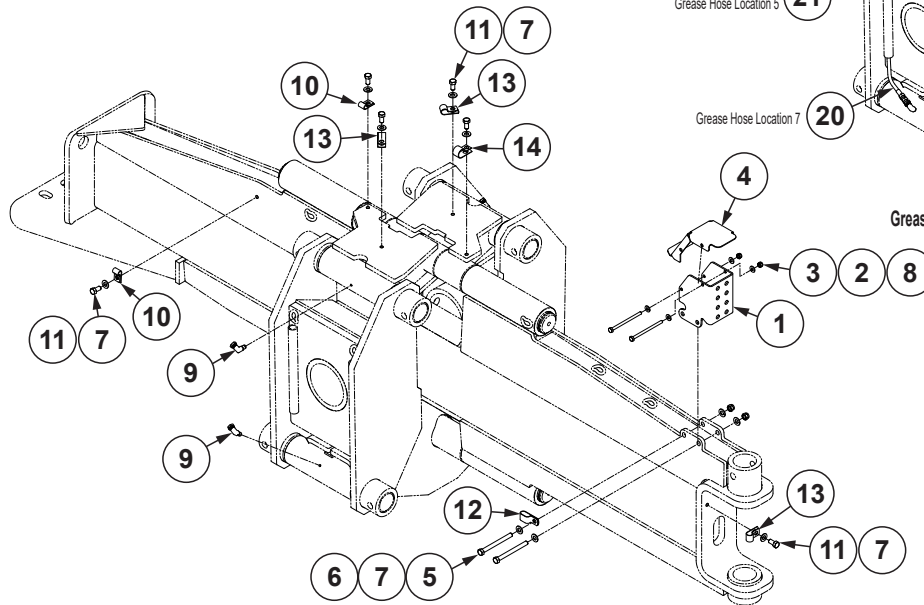
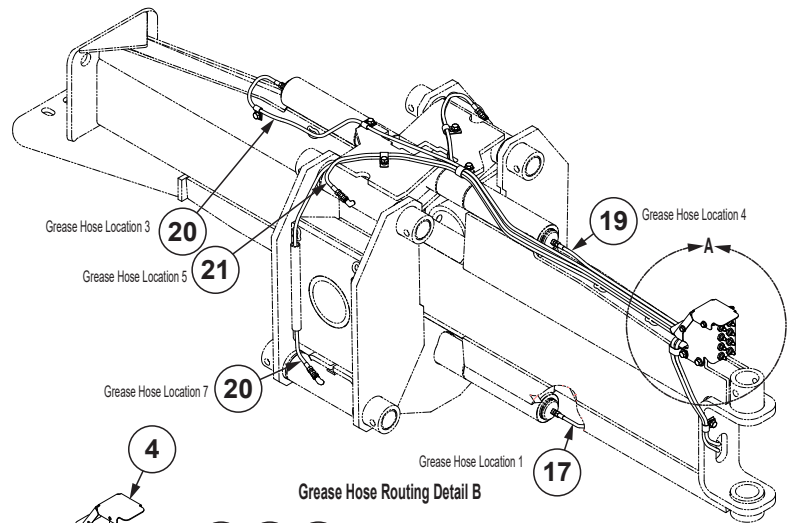


ITEM	PART NO.	QTY. (Per Cart)	DESCRIPTION
1	G10710301	1	See "Hub and Tire Assemblies, Row Crop" on page P58
2	G10710401	1	See "Hub and Tire Assemblies, Row Crop" on page P58
3	G10664101	1	Front Axle Frame
4	G10666801	2	Wheel Axle
5	G10988701	1	Rear Axle Frame
6	G10676201	4	Top Link Arm
7	G10701601	2	Bottom Link Arm
8	G10675801	4	Link Plate
9	GA15643	4	See "Hub and Tire Assemblies, Row Crop" on page P58
10	G10670901	2	Pin, 2¼" x 15⅞"
11	G10671001	4	Pin, 2⅛" x 35⅞"
12	G11093	8	External Retaining Ring, 2⅛"
13	G10036	10	Hex Head Cap Screw, ⅝"-11 x 4"
14	G10107	18	Lock Nut, ⅝"-11
15	G10676001	8	Pin, 2⅛" x 15⅞"
16	G10400	4	Hex Head Cap Screw, ¾"-10 x 6½"
17	G10112	4	Lock Nut, ¾"-10
18	G10782601	4	Eye Bolt, 1¼"-7 x 6.875"
19	G10236	4	Lock Washer, 1¼"
20	G10239	4	Hex Nut, 1¼"-7
21	G11041	4	Hex Head Cap Screw, ⅞"-9 x 12"
22	G11393	4	Flat Washer, ⅞"
23	G10418	4	Lock Nut, ⅞"-9
24	G10011	8	Hex Head Cap Screw, ⅝"-11 x 5½"
25	G11391	20	Flat Washer, ⅝" SAE
26	G10336	38	Machine Bushing, 2⅛", 14 Gauge (.0747")
27	G10234	40	Machine Bushing, 2⅛", 10 Gauge (.1345")
28	G10111	4	Lock Nut, ½"-13
29	GD9592	4	Special Washer
30	G10636	4	Carriage Bolt, ½"-13 x 1½"
31	GA9225	2	Load Cell Top Mount
32	G10156	4	Hex Head Cap Screw, ¾"-10 x 1¼"
33	G10231	4	Lock Washer, ¾"
34	G10404	8	Machine Bushing, 3⅞" x 2⅞" x ⅜"
35	G10007	4	Hex Head Cap Screw, ⅝"-11 x 1¼"
36	G10810401	4	Bushing, ⅞" O.D. x .635" I.D. x ⅜"
37	G10230	4	Lock Washer, ⅝"
38	GA9221	4	Axle Pin W/Grease Fitting
39	G11389	4	Flat Washer, ½" Plated SAE
40	---	2	See "Axle Grease Banks, Row Crop" on page P55
41	G10782201	2	Row Crop Frame Shim, 7 Gauge (.1793")
42	G10782202	2	Row Crop Frame Shim, ¼"
43	G10782203	2	Row Crop Frame Shim, 10 Gauge (.1345")
44	G10782204	2	Row Crop Frame Shim, 12 Gauge (.1046")
45	---	---	---
46	G10640	4	Grease Fitting, ¼"-28

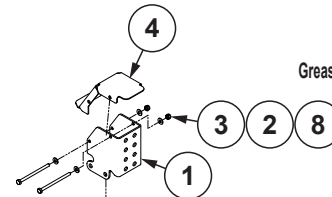
(106759)



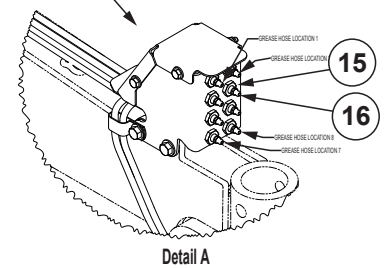
Grease Hose Routing Detail A



Grease Hose Routing Detail B

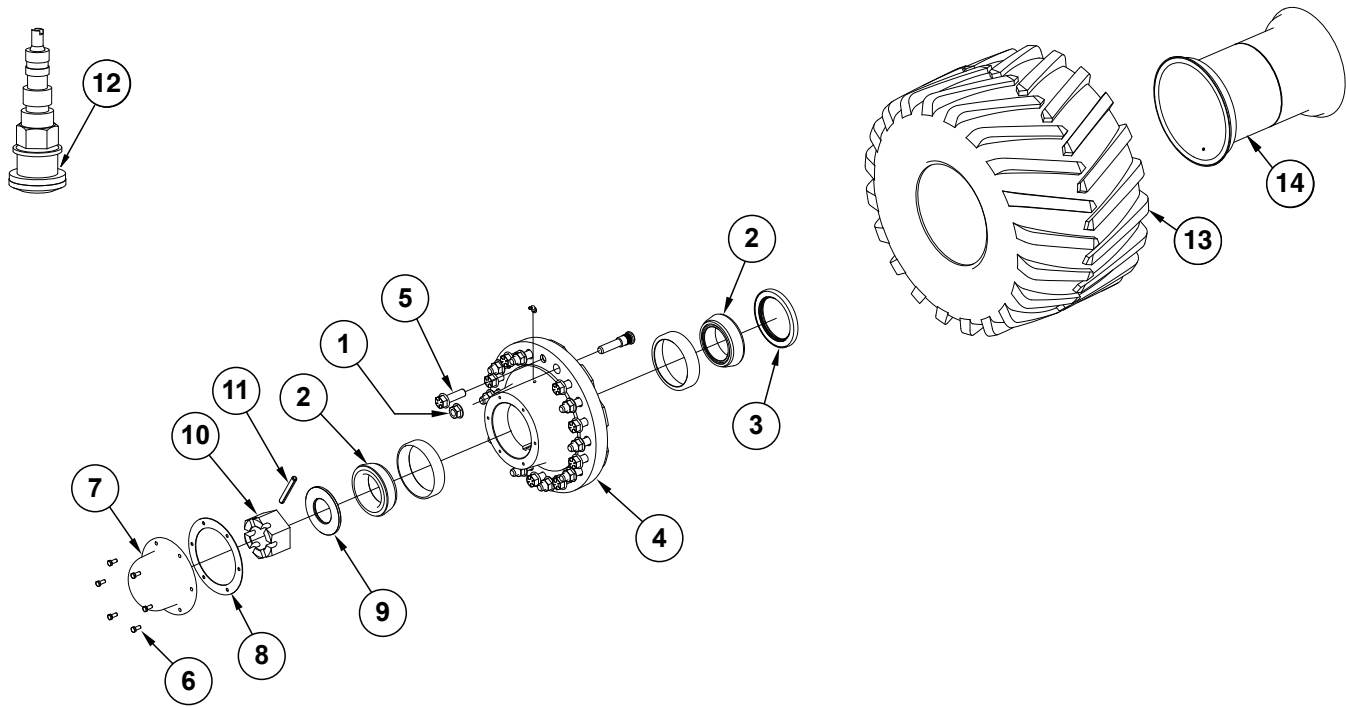


See Grease Hose Routing Detail C

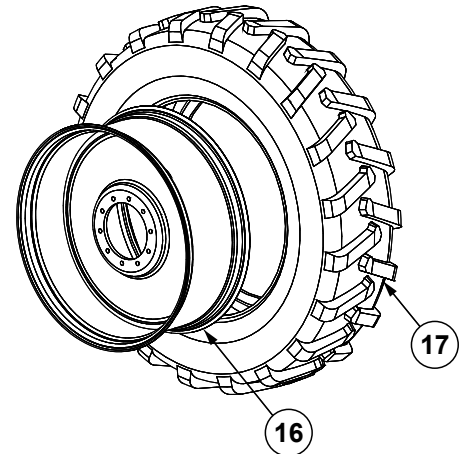
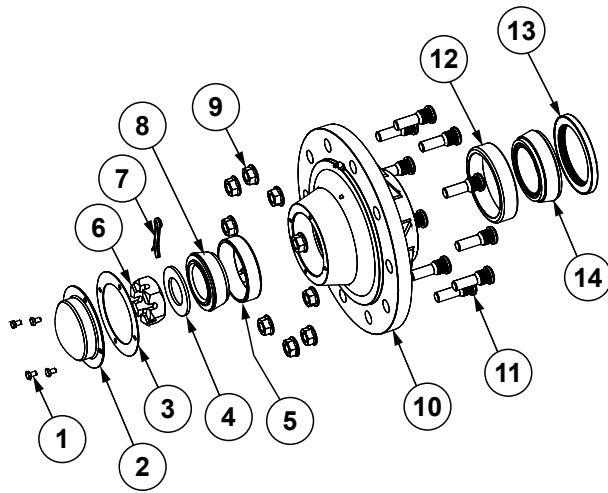
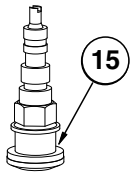


ITEM	PART NO.	QTY.	DESCRIPTION
1	G10684701	1	Grease Line Bracket
2	G11385	4	Flat Washer, 1/4" SAE
3	G10110	2	Lock Nut, 1/4"-20, Grade B
4	G10684601	1	Grease Line Cover
5	G10063	2	Hex Head Cap Screw, 3/8"-16 x 4"
6	G10108	2	Lock Nut, 3/8"-16
7	G11387	10	Flat Washer, 3/8" SAE
8	G10943	2	Hex Head Cap Screw, 1/4"-20 x 4"
9	1501-02-02	4	Swivel Elbow, 1/8" NPTM x 1/8" NPTF
10	GD6291	2	Insulated Clamp, 3/8"
11	G10002	6	Hex Head Cap Screw, 3/8"-16 x 3/4"
12	GD17161	1	Double Insulated Clamp
13	GD13348	3	Insulated Clamp, 1 1/16"
14	GD34779	1	Insulated Clamp, 7/8"
15	G11094	8	Hex Nut, 1/8"-27 NPSM Bulkhead
16	G10640	8	Grease Fitting, 1/4"-28
17	*A27240-49	1	Grease Hose Assembly, 1/8" x 49" (02M NPT - 02M NPSM BH/04-28 UNF)
18	*A27240-97	1	Grease Hose Assembly, 1/8" x 97" (02M NPT - 02M NPSM BH/04-28 UNF)
19	*A27240-25	1	Grease Hose Assembly, 1/8" x 25" (02M NPT - 02M NPSM BH/04-28 UNF)
20	*A27240-76	2	Grease Hose Assembly, 1/8" x 76" (02M NPT - 02M NPSM BH/04-28 UNF)
21	*A27240-54	1	Grease Hose Assembly, 1/8" x 54" (02M NPT - 02M NPSM BH/04-28 UNF)
22	*A27240-56	1	Grease Hose Assembly, 1/8" x 56" (02M NPT - 02M NPSM BH/04-28 UNF)
23	*A27240-77	1	Grease Hose Assembly, 1/8" x 77" (02M NPT - 02M NPSM BH/04-28 UNF)

*Hydraulic hose is not stocked by Kinze Repair Parts.

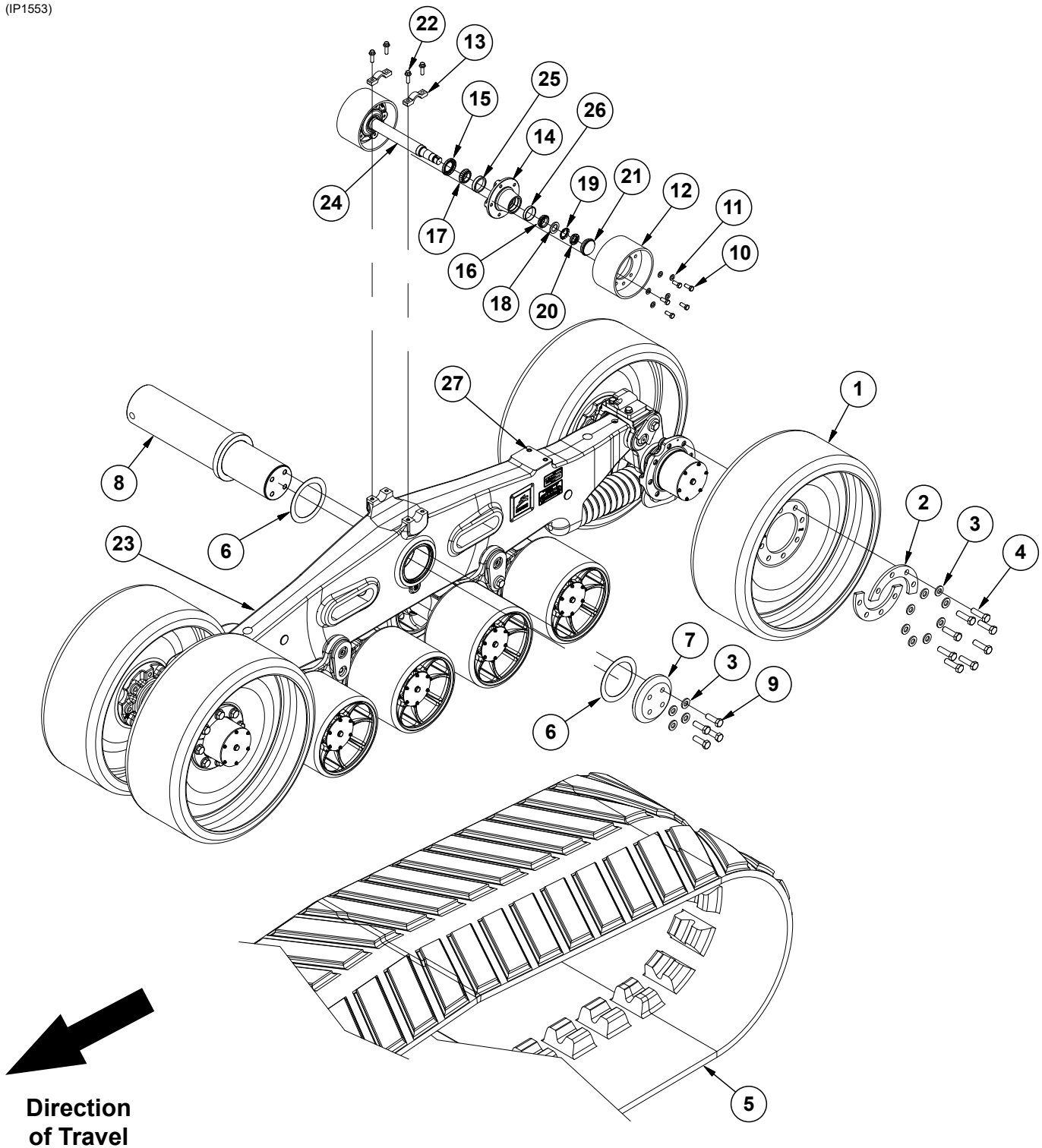


ITEM	PART NO.	QTY. (Per Cart)	DESCRIPTION
1	G10625	20	Flange Nut, 3/4"-16
2	GA0531	3	Inner Bearing
3	GA0532	2	Seal
4	GA11509	2	Hub W/Cups, Grease Fitting And Stud Bolts (20 Bolt High Strength), 1121 Flotation
	GR1681	10	Stud Bolt, 3/4"-16 x 3 7/8"
	GR0191	2	Inner Cup
	G10373	1	Grease Fitting, 45°, 1/8"-27
5	GD16712	10	Bolt, 3/4"-16 x 2 1/2"
6	G10043	6	Hex Head Cap Screw, 5/16"-18 x 3/4"
7	GB0382	1	Dust Cap
8	GD16565	1	Seal
9	GD16710	1	Washer, 2 1/2"
10	GD16709	1	Slotted Hex Nut, 2 1/2"-20
11	G11196	1	Spring Pin, 1/2" x 4
12	GA6128	1	Valve Stem
13	D13505	2	Tire, 1250/45-32 16 Ply R-1 Bias (76" x 50" x 32"), 1121 (Non-Stock Item)
14	G10563001	2	Rim, 32" x 44" - 20 Bolt (Grey)



ITEM	PART NO.	QTY.	DESCRIPTION
1	G10054	4	Hex Head Cap Screw, 5/16"-18 x 1/2"
2	GD1360	1	Dust Cap
3	GD1359	1	Seal
4	G11398	1	Flat Washer, 2"
5	GR0192	1	Outer Cup
6	G10726	1	Slotted Hex Nut, 2"-12
7	G10471	1	Cotter Pin, 3/8" x 2 1/2"
8	GA0530	1	Outer Bearing
9	G10625	10	Flange Nut, 3/4"-16
10	GB0384	1	Hub, 10 Bolt
	G10373	-	Grease Fitting, 45°, 1/8"-27
11	GR2069	10	Stud Bolt, 3/4"-16 x 2 3/4"
12	GR0191	1	Inner Cup
13	GA0532	1	Seal
14	GA0531	1	Inner Bearing
15	GA6128	1	Valve Stem
16	G10801701	1	Rim, 42" x 16A 10 Bolt Hub (Grey)
17	GD20857	1	Tire, 480/80R42 (166D) 18.4R42
A	GA11388	-	Hub W/Cups, Grease Fitting, Stud Bolts And Flange Nuts, 1121 Row Crop (Items 5 and 10-12)
B	G10710301	1	L.H. Wheel/Tire, 18.4 x 42 R1 (Items 15-17)
C	G10710401	1	R.H. Wheel/Tire, 18.4 x 42 R1 (Items 15-17)

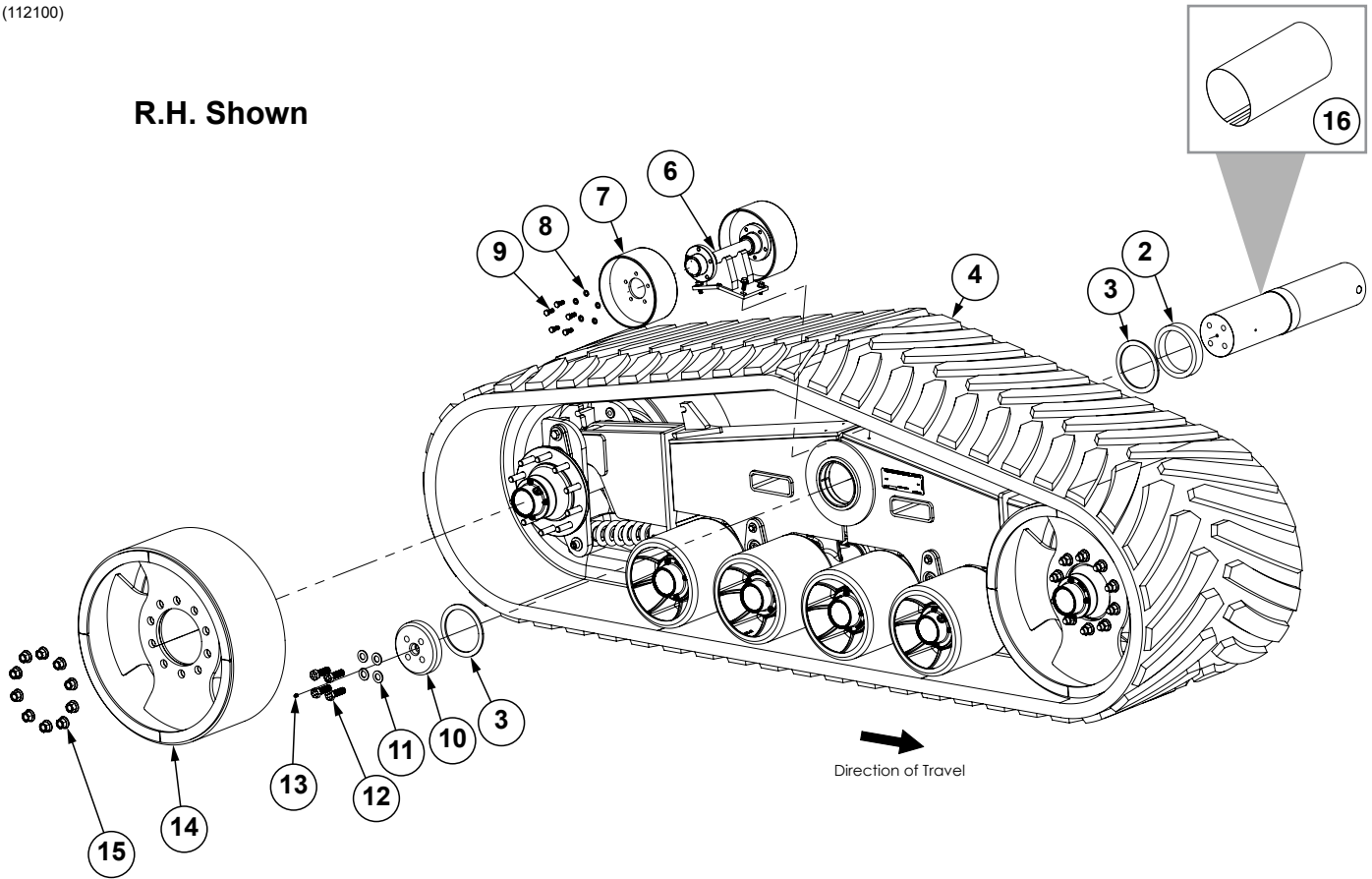
(IP1553)



ITEM	PART NO.	QTY.	DESCRIPTION
1	GD34884	4	Idler Wheel
2	GD34856	8	Idler Wheel Back-up Ring
3	GD34836	36	Idler Washer
4	G12211-70	32	Hex Head Cap Screw, M20-2.5 x 70
5	GD34885	1	Pull Behind Track, 302" x 36"
6	GD34887	2	Thrust Washer
7	GD34888	1	End Cap
8	GD34886	1	Main Pin
9	G12210-60	4	Hex Head Cap Screw, M20-2.5 x 60
10	G12207-30	10	Hex Head Cap Screw, M12-1.75 x 30
11	G12039	10	Flat Washer, M12
12	GD34879	2	Roller Carrier
13	GD34859	2	Axle Retainer, Thin Block
14	GD34838	2	Hub W/Bearing Races
15	GD34869	2	Grease Seal
16	GR2277	2	Outer Bearing
17	GR2276	2	Inner Bearing
18	GD34858	2	Tongued Washer
19	GD34865	2	Lock Washer
20	GD34864	2	Lock Nut
21	GD34873	2	Hub Cap
22	G12208-40	4	Hex Socket Flange Cap Screw, M12-1.75 x 40
23	---	-	See "Track Main Frame" on page P63
24	GD34857	-	Axle Roller Carrier
25	GD34839	1	Carrier Inner Bearing Race
26	GD34840	1	Carrier Outer Bearing Race
27	GD35092	2	Tapered Plug, M16 x 2
A	GA24938	-	Roller Assembly, Items 14-21 and 24-26

(112100)

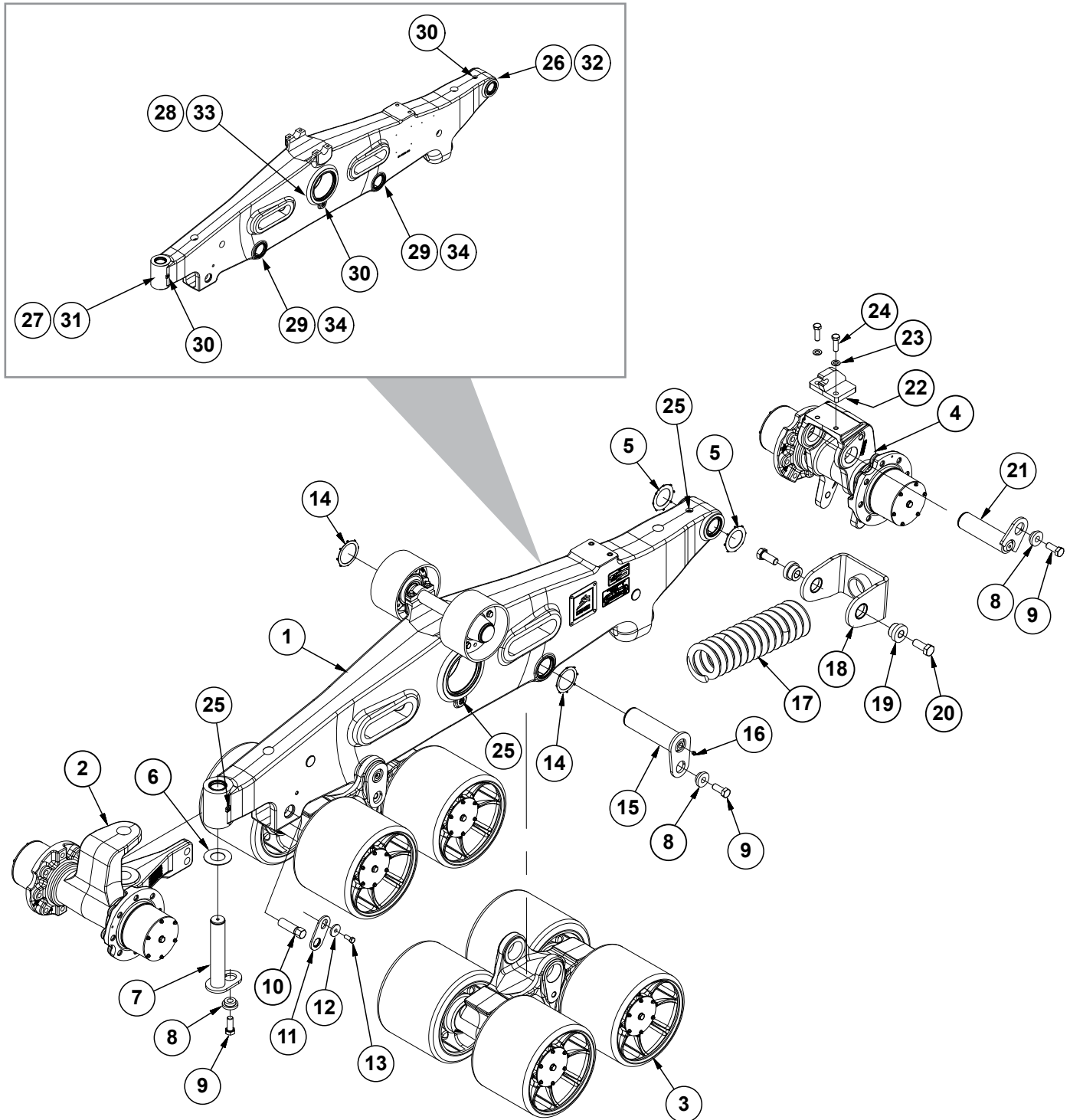
R.H. Shown



ITEM	PART NO.	QTY.	DESCRIPTION
1	---	---	---
2	G11221201	1	Pin Thrust Ring
3	G11221301	2	Thrust Washer
4	G11221401	1	Belt
5	---	---	---
6	G11221501	1	Top Roller Assembly
7	G11222201	2	Top Roller Wheel
8	G10228	10	Lock Washer, 1/2"
9	G11222301	10	Hex Head Cap Screw, 1/2"-20 x 1 1/4", Grade 8
10	G11222401	1	Pivot Pin Cap
11	G11393	4	Flat Washer, 7/8"
12	G11222501	4	Hex Head Cap Screw, 7/8"-14 x 2 3/4", Grade 8
13	G10641	3	Grease Fitting
14	G11222601	4	Idler Wheel
15	G11222701	40	Wheel Nut, M22 x 1.5"
16	G11254101	2	Axle Pin Shim

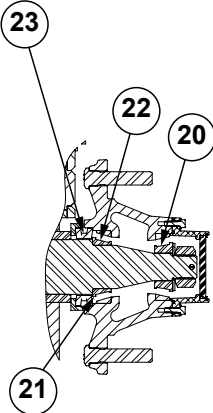
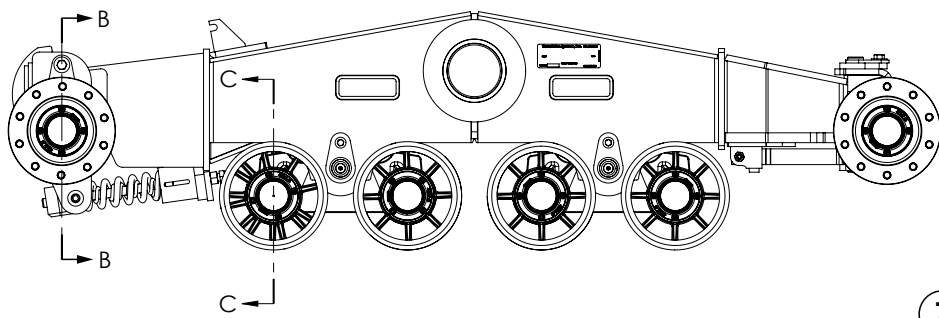
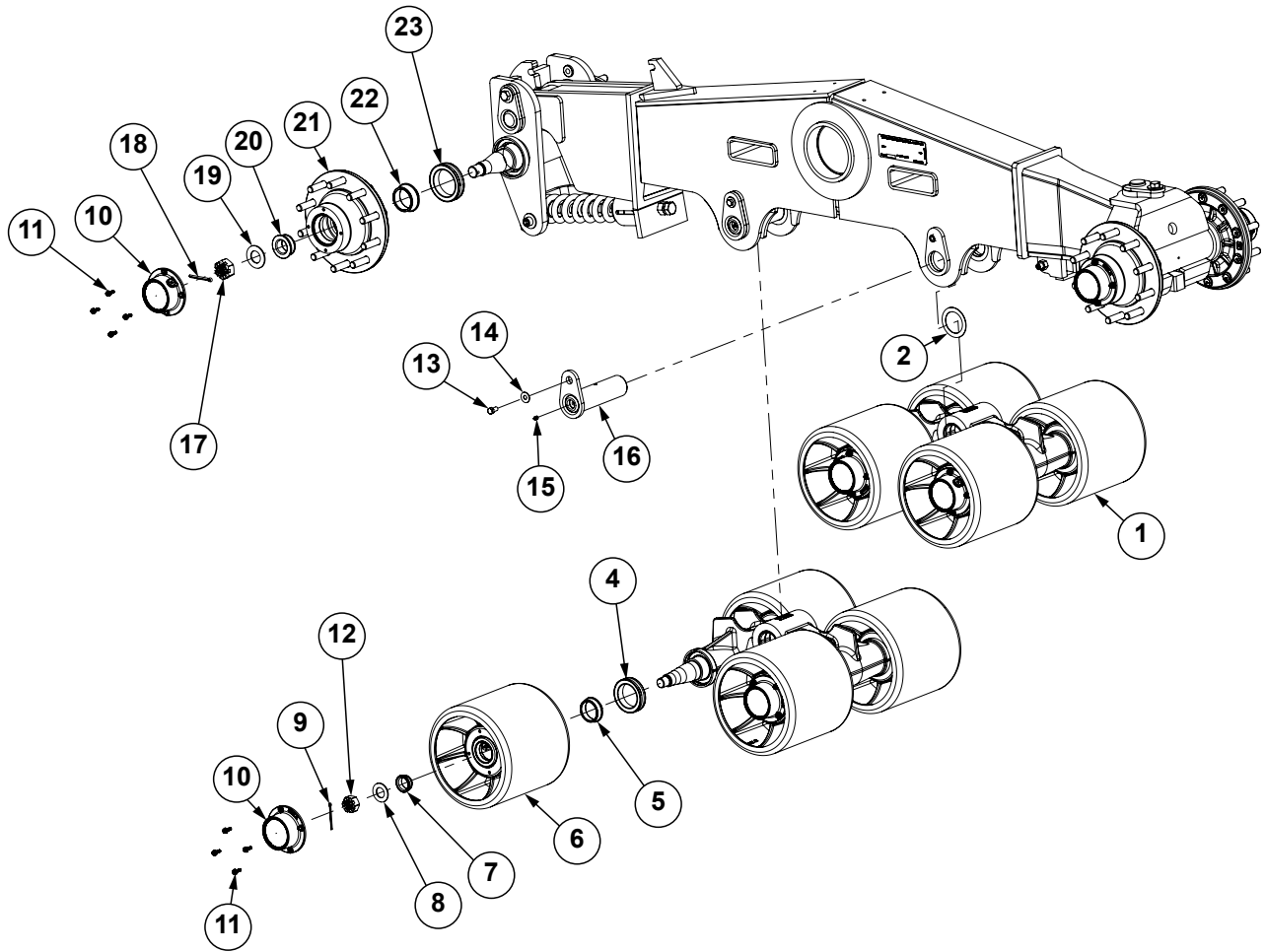
This page left blank intentionally.

(IP1554)

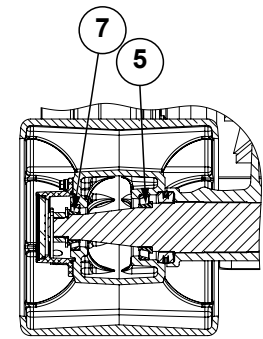


ITEM	PART NO.	QTY.	DESCRIPTION
1	GA24936	1	Main Frame (Non-Stock Item)
2	GA24942	1	Alignment
3	GA24940	2	See "Bogie Hub Assembly" on page P69
4	GA24939	1	Tension Link
5	GD34861	2	Thrust Washer, 60mm
6	GD34854	1	Thrust Washer
7	GD34878	1	Pin, 50mm
8	GD34855	4	Flanged Spacer
9	G12209-50	4	Hex Head Cap Screw, M20-2.5 x 50
10	GD35091	2	Long Head Set Screw, 1½" x 85mm
11	GD34853	2	Lock Plate
12	GD34851	2	Flanged Spacer
13	G12207-30	2	Hex Head Cap Screw, M12-1.75 x 30
14	GD34863	4	Thrust Washer
15	GD34882	2	Pin
16	G10641	2	Grease Fitting, ⅛" NPT
17	GD34874	1	Spring
18	GD34843	1	Seat Spring
19	GD34862	2	Flanged Spacer
20	G12206-60	2	Hex Head Cap Screw, M24-3.0 x 60
21	GD34880	1	Tensioner Pin
22	GD34891	1	Bracket
23	G12040	2	Flat Washer, M16
24	G12205-50	2	Hex Head Cap Screw, M16-2.0 x 50
25	G10641	4	Grease Fitting, ⅛" NPT
26	GD34846	2	Bushing
27	GD34847	2	Bushing
28	GD34849	2	Bushing
29	GD34850	4	Bushing
30	G10641	4	Grease Fitting, ⅛" NPT
31	GD34867	2	Scraper Seal
32	GD34868	2	Scraper Seal
33	GD34870	2	Scraper Seal
34	GD34872	4	Scraper Seal

(112100)



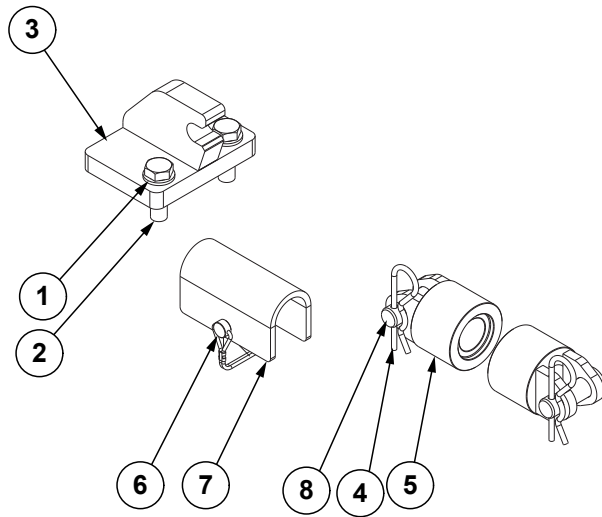
Section B-B



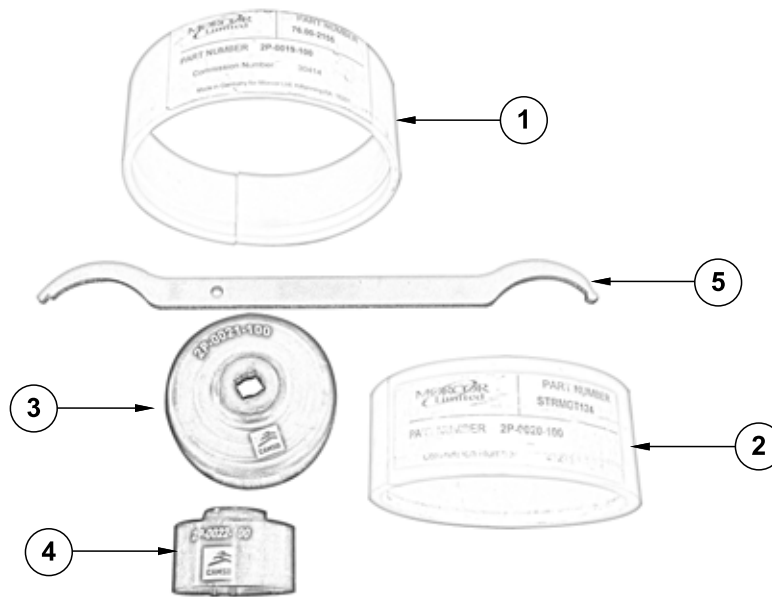
Section C-C

ITEM	PART NO.	QTY.	DESCRIPTION
1	G11222801	1	Mid-Roller Assembly, 4 Wheels
2	G11222901	4	Flat Washer, 2.87" x 4" x .072"
3	---	---	---
4	G11223001	1	Mid-Roller Metal Face Seal
5	G11223101	1	Bearing Cone
6	G11223201	1	Mid-Roller Wheels W/Bearing Cups
7	GA0238	1	Bearing
8	G11223401	1	Flat Washer, 1.375" x 2.5" x .136", Grade 8
9	G11223501	1	Cotter Pin, 3/16" x 3"
10	G11223601	3	Hub Cover Assembly
11	G11227901	12	Hex Non-Serrated Flange Cap Screw, 5/16"-18 x 1", Grade 5
12	G11224101	1	Hex Nut, 1-1/4"-12
13	G11224201	2	Hex Head Cap Screw, 1/2"-13 x 1", Grade 8
14	G11224301	2	Flat Washer, .562" x 1.375" x .109", Grade 8
15	G10641	2	Grease Fitting, 1/8" NPT
16	G11224401	2	Mid-Roller Pivot Pin
17	G11225401	2	Hex Nut, 1 1/2"-12
18	G10469	2	Cotter Pin, 3/16" x 3 1/2"
19	G11224501	2	Flat Washer, 1.625" x 3" x .136", Grade 8
20	GA0705	2	Outer Bearing
21	G11224601	2	Idler Hub W/Bearing Cups Assembly
22	GA5987	2	Inner Bearing
23	G11224701	2	Metal Face Seal, Idler Wheel

(A24944)

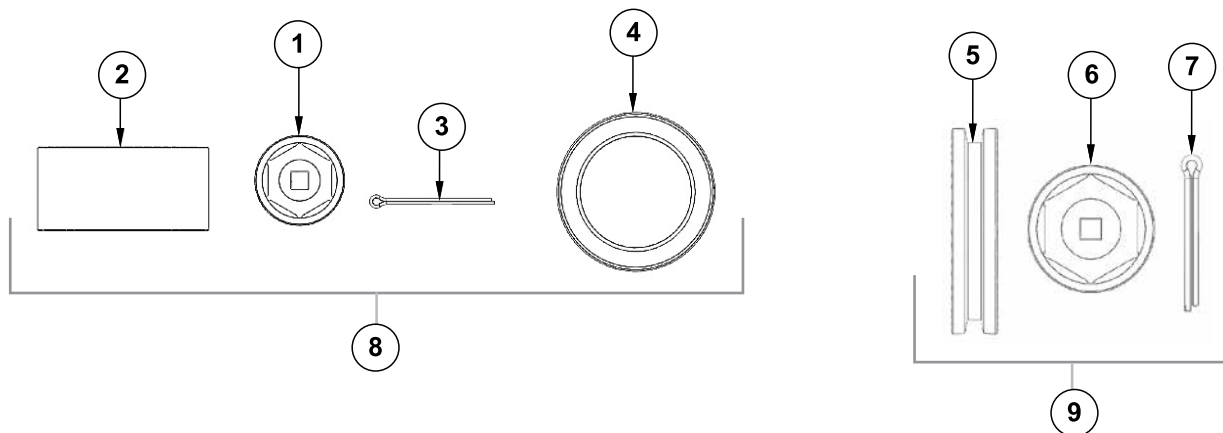


ITEM	PART NO.	QTY.	DESCRIPTION
1	G12040	2	Flat Washer, M16
2	G12205-50	2	Hex Head Cap Screw, M16-2.0 x 50
3	GD34891	1	Bracket
4	G12204	2	Hair Pin Clip, 5MM
5	GD34892	2	Cylinder End
6	GD35310	1	Wire Lock Pin, 5/16" x 3 1/8"
7	GD34889	1	Locking C Shape Plate
8	G12203	2	Clevis Pin, M20 x 60
A	GA24944	-	Detensioing Tool Kit Complete, Items 1-8



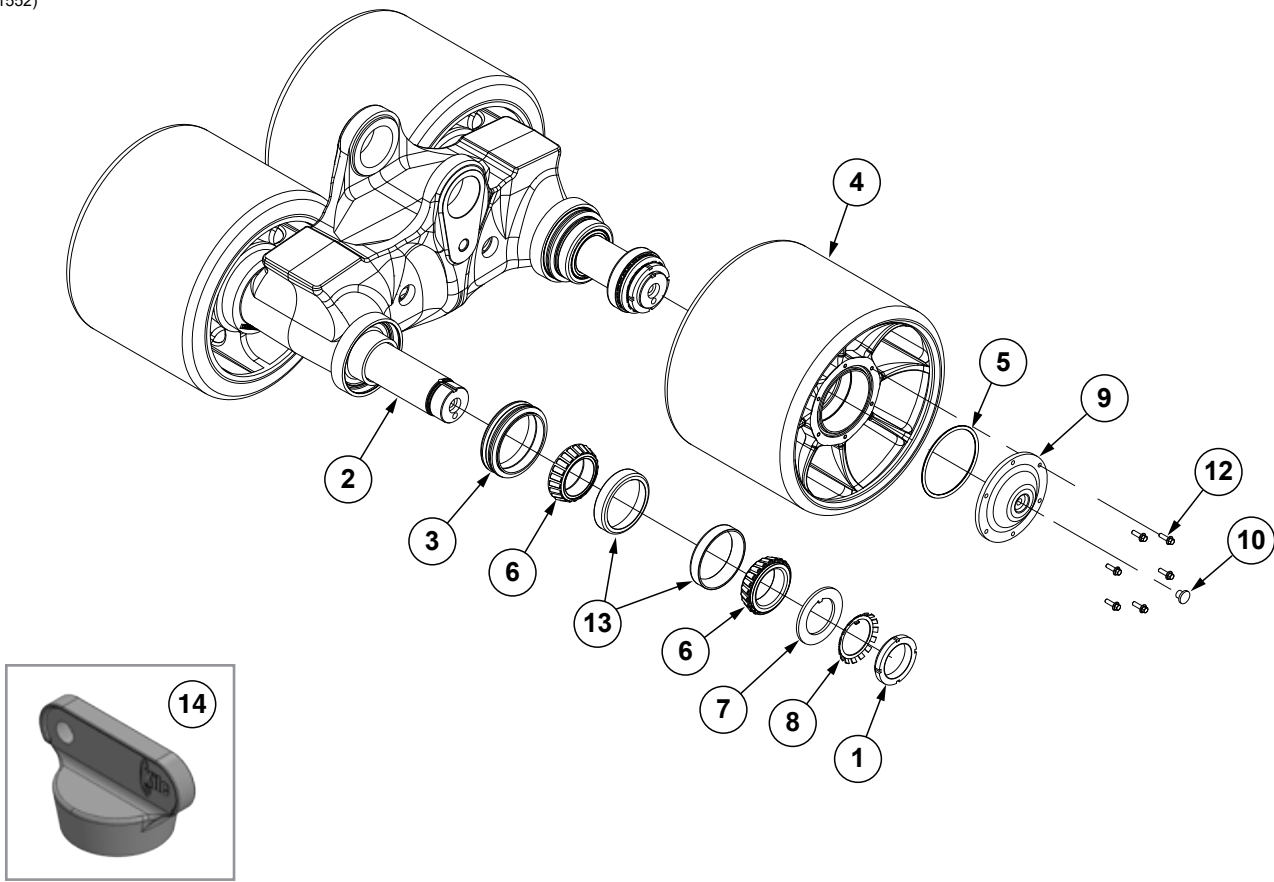
ITEM	PART NO.	QTY.	DESCRIPTION
1	GD34893	1	Seal Installation Tool
2	GD34945	1	Seal Installation Tool
3	GD34946	1	Bearing Locknut Socket, TN-12
4	GD34947	1	Bearing Locknut Socket, N-06
5	GD34948	1	Locknut Tab Bender

TDS Service Tools



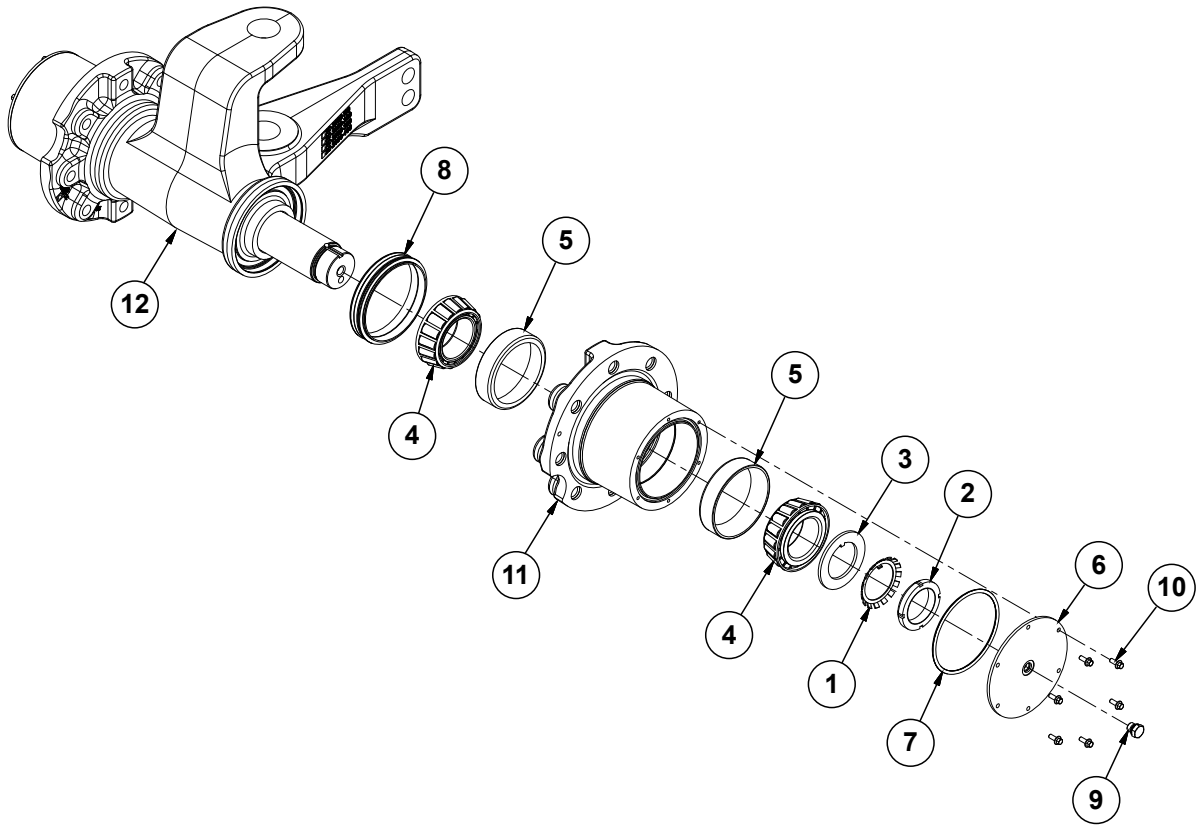
ITEM	PART NO.	QTY.	DESCRIPTION
1	G11244501	1	Impact Socket, 1 ¹³ / ₁₆ " SAE 6 Point Deep
2	G11225701	1	Seal Press Tool
3	G11223501	1	Cotter Pin, 3/ ₁₆ " x 3"
4	G11244601	1	Metal Face Seal, Mid-Roller
5	G11224701	1	Metal Face Seal, Idler Wheel
6	G11244401	1	Impact Socket, 2 ¹ / ₄ " SAE 6 Point Deep
7	G10469	1	Cotter Pin, 5/ ₁₆ "
8	G11244701	-	Mid-Roller Seal Kit, Includes Items 1-4
9	G11244801	-	Idler Seal Kit, Includes Items 5-7

(IP1552)



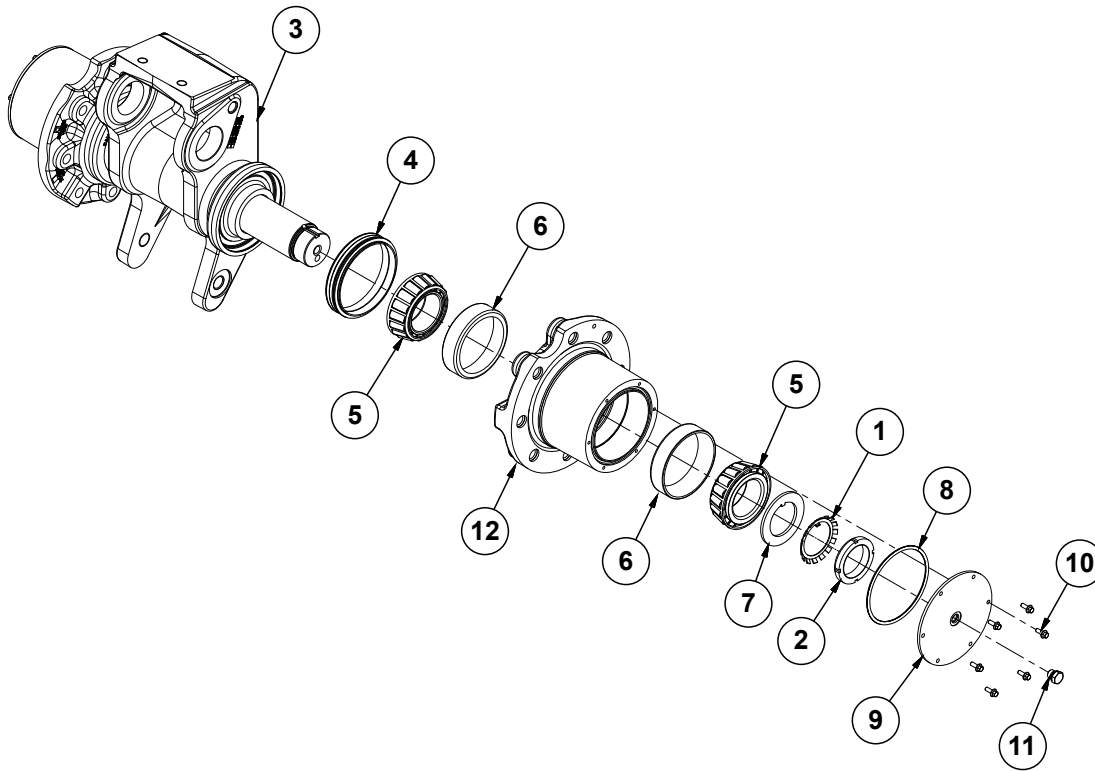
ITEM	PART NO.	QTY.	DESCRIPTION
1	GD35090	4	Idler and Mid-Roller Locknut
2	GA24941	1	Bogie Hub
3	GD34871	4	High Temp O-Ring
4	GD34883	4	Mid-Roller Wheel
5	GD34835	4	O-Ring
6	GR2278	8	Mid-Roller Bearing (Includes Item 13)
7	GD34837	4	Tongue Washer
8	GD34890	4	Idler Lock Washer
9	GD36718	4	Clear Cap Cover
10	GD36717	4	Oil Plug
11	---	---	---
12	G12221	24	Hex Non-Serrated Flange Cap Screw, M6-1.0 x 20
13	GR2278	8	Mid-Roller Bearing Race (Includes Item 6)
14	GD36719	-	Oil Plug Tool
A	GA24940	---	Bogie Hub Assembly (Items 1-13)

(IP1555)



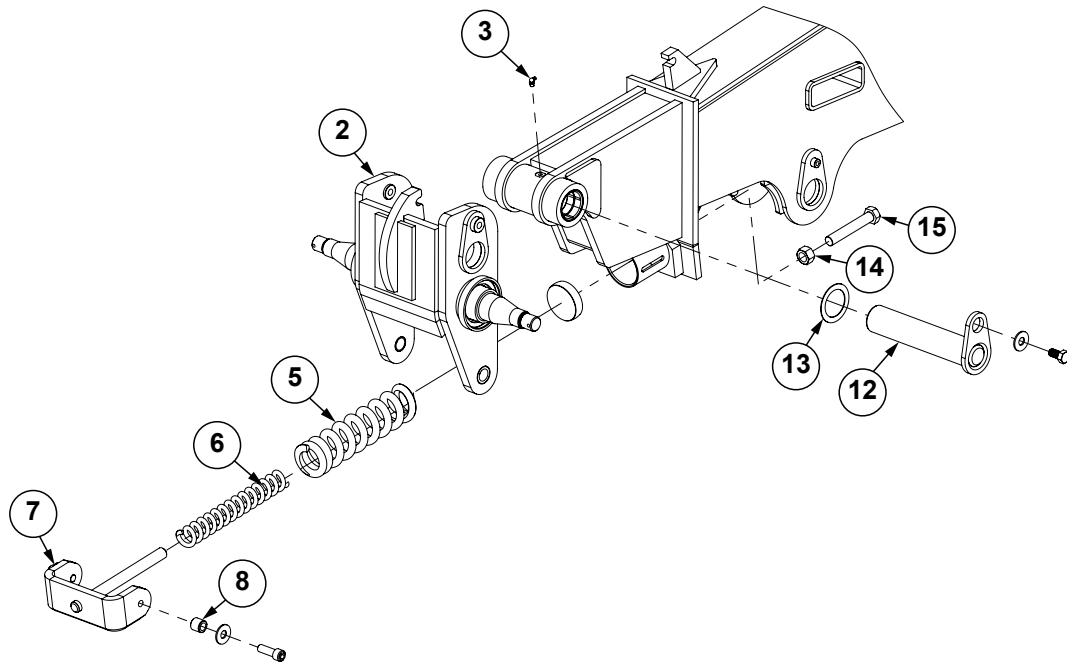
ITEM	PART NO.	QTY.	DESCRIPTION
1	GD34890	2	Idler Lock Washer
2	GD35090	2	Idler and Mid-Roller Locknut
3	GD34837	2	Tongue Washer
4	GA25054	4	Idler Bearing
5	GD34842	4	Idler Bearing Race
6	GD34852	2	Idler Hub Cover
7	GD34866	2	O-Ring
8	GD34944	2	Seal
9	GD34943	2	Plug
10	G12202-16	12	Hex Socket Flange Cap Screw, M6-1.0 x 16
11	GA24943	1	Idler Hub
12	GD34845	1	Alignment Link
A	GA24942	-	Alignment Link W/Hubs

(IP1556)



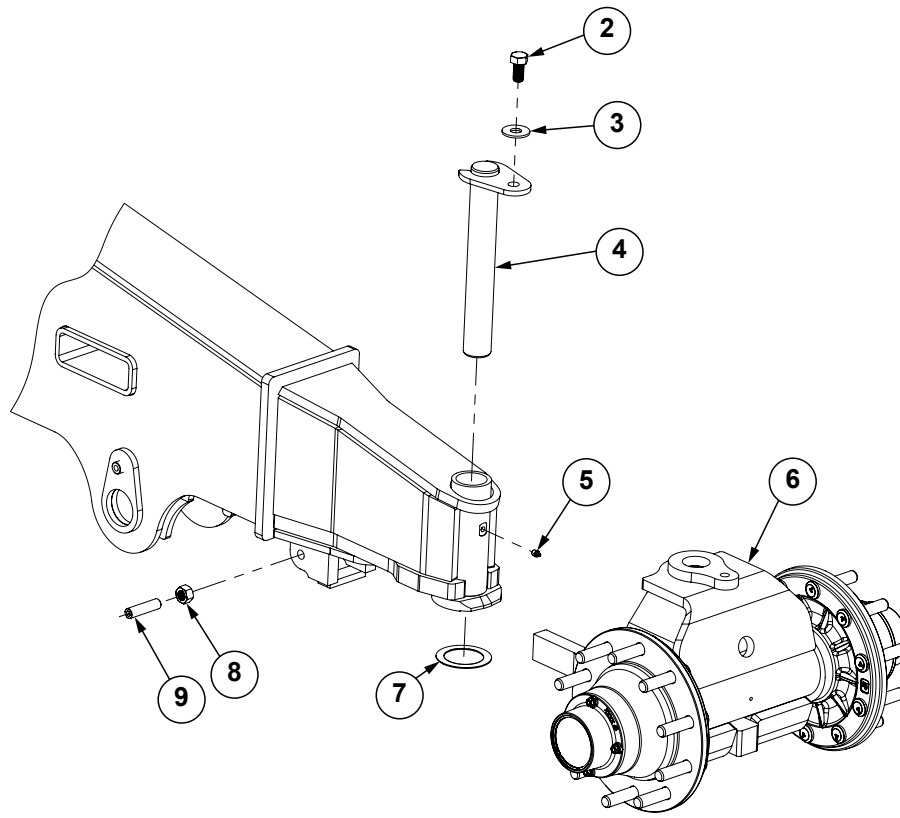
ITEM	PART NO.	QTY.	DESCRIPTION
1	GD34890	2	Idler Lock Washer
2	GD35090	2	Idler and Mid-Roller Locknut
3	GD34844	1	Tension Link
4	GD34944	2	Seal
5	GA25054	4	Idler Bearing
6	GD34842	4	Idler Bearing Race
7	GD34837	2	Tongue Washer
8	GD34866	2	O-Ring
9	GD34852	2	Idler Hub Cover
10	G12202-16	12	Hex Socket Flange Cap Screw, M6-1.0 x 16
11	GD34943	2	Plug
12	GA24943	1	Idler Hub
A	GA24939	-	Tension Link W/Hubs

(112100)



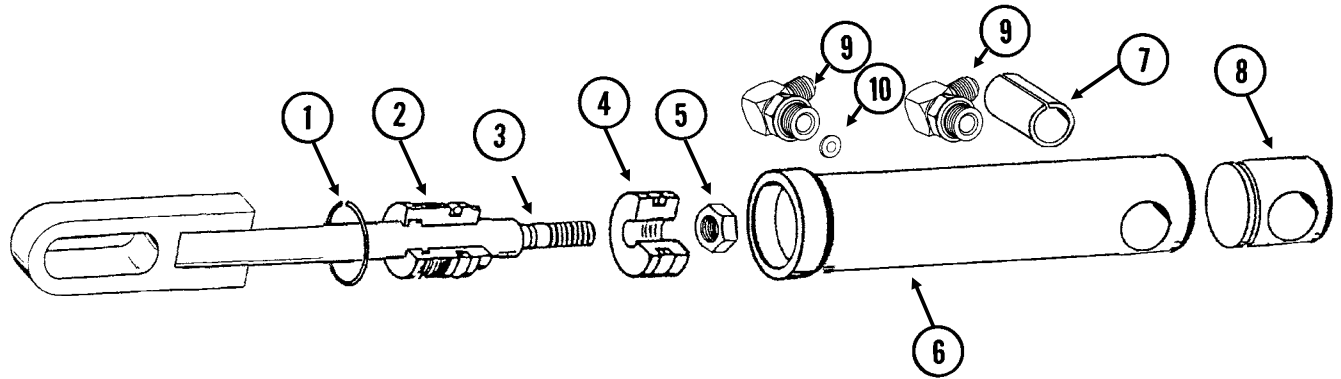
ITEM	PART NO.	QTY.	DESCRIPTION
1	---	---	---
2	G11224801	1	Tensioner Pivot Arm and Idler Spindle Assembly
3	G10343	1	Grease Fitting, 90°, 1/8"-27
4	---	---	---
5	G11224901	1	Compression Spring, 3.711" O.D. Outer Spring
6	G11225001	1	Compression Spring, 2.1" O.D. Inner Spring
7	G11225101	1	Spring Saddle Assembly
8	G11225201	2	Spring Saddle Pivot
9	---	---	---
10	---	---	---
11	---	---	---
12	G11225301	1	Tensioner Pivot Pin Assembly
13	G11222901	2	Flat Washer, 2.87" x 4" x .072"

(112100)



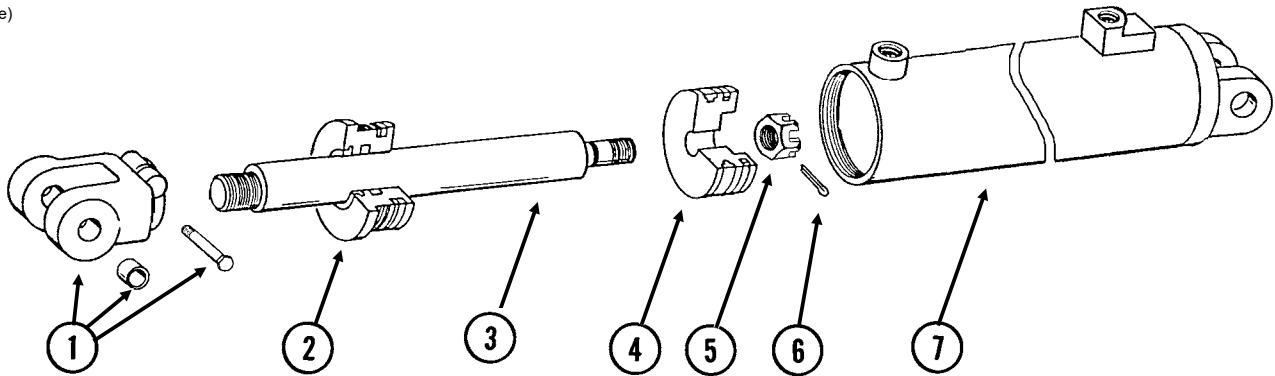
ITEM	PART NO.	QTY.	DESCRIPTION
1	---	---	---
2	---	---	---
3	---	---	---
4	G11225501	1	Alignment Pivot Pin Assembly
5	G10641	1	Grease Fitting, 1/8" NPT
6	G11225601	1	Spindle Alignment Housing W/Hubs
7	G11222901	1	Flat Washer, 2.87" x 4" x .072"
8	G10098	2	Hex Nut, 3/4"-16
9	G11225801	2	Hex Set Screw, 3/4"-16 x 3"

(CYL2h)



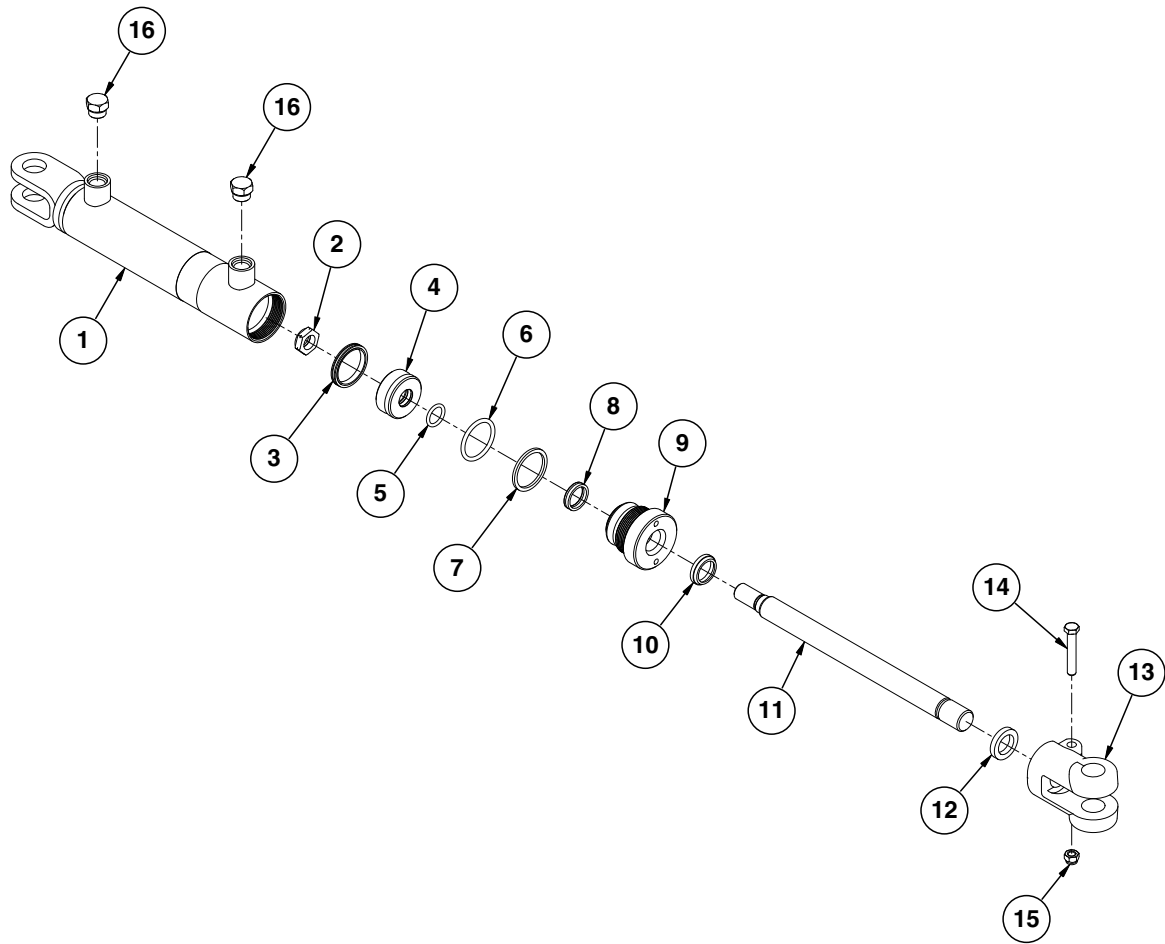
ITEM	PART NO.	QTY.	DESCRIPTION
1	G10770	1	Internal Retaining Ring, 1 1/16"
2	GD13170	1	Gland
3	GA9561	1	Rod Assembly
4	GD13172	1	Piston
5	G11016	1	Lock Nut, 1/2"-20
6	D13169	1	Barrel (Non-Stock Item)
7	GD13400	1	Tension Bushing, 1" x 2" Long
8	GD13173	1	End Cap
9	G6801-06-08 GR1037	2 -	Elbow W/O-Ring, 90°, 1/16"-18 Male JIC To 3/4"-16 O-Ring O-Ring
10	GD13541	1	Orifice Plate, One-Way Restriction
A	GA9616	-	Cylinder Complete, 1 1/2" x 2 1/2" (<i>Part Number Stamped On Barrel</i>)
B	GR1598	-	Seal Kit, Includes: (3) O-Rings, (2) BU Rings, (1) Wiper, (1) T-Seal, (1) Bronze Bushing, (1) Seal, (1) U-Cup

(CYL33e)



ITEM	PART NO.	QTY.	DESCRIPTION
1	GA8130	1	Clevis W/Bushings, Hex Head Cap Screw And Hex Nut
	GD11751	-	Steel Bushing, 1" Wide
	G10939	-	Hex Head Cap Screw, 3/8"-16 x 2 1/4"
	G10101	-	Hex Nut, 3/8"-16
2	GD12572	1	Gland
3	GD13500	1	Rod
4	GD13498	1	Piston
5	G10983	1	Slotted Hex Nut, 1 1/8"-12
6	G10984	1	Cotter Pin, 3/16" x 2 1/2"
7	A9610	1	Barrel (Non-Stock Item)
A	GA20808	-	Cylinder Complete, 4 3/4" x 20" (<i>Part Number Stamped On Barrel</i>)
B	GR1600	-	Seal Kit, Includes: (1) Wiper, (1) U-Cup, (2) O-Rings, (1) BU Ring, (1) T-Seal, (1) Piston Ring

(IP1522)

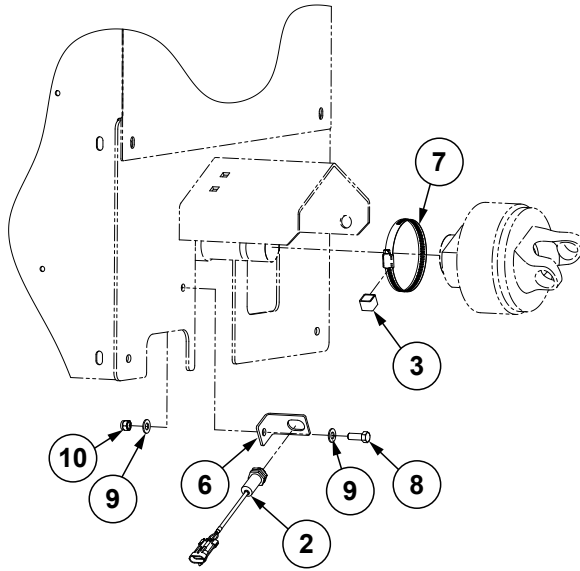


ITEM	PART NO.	QTY.	DESCRIPTION
1	A8775	1	Barrel (Non-Stock Item)
2	GD27233	1	Nylon Lock Nut, 3/4"-16, Grade 8
3	GA26166	1	Piston Seal
4	GD29689	1	Piston
5	*D29692	1	O-Ring, No. 326
6	*D12235	1	O-Ring, No. 326
7	*D12236	1	Back-Up Ring
8	*D12256	1	U-Cup
9	GD12510	1	Gland
10	*D12233	1	Wiper Rod
11	GD30439	1	Rod
12	GD12101	1	Ring
13	GD11950	1	Clevis
14	G10939	1	Hex Head Cap Screw, 3/8"-16 x 2 1/4"
15	G10108	1	Lock Nut, 3/8"-16
16	G6408-08	2	Plug W/O-Ring, 3/4"-16 O-Ring
	GR1037	-	O-Ring
A	GA21166	-	Cylinder Complete, 2" x 8" (Part Number Stamped On Barrel)
B	GR2229	-	Seal Kit, Includes: (1) Wiper Rod, (2) U-Cup, (3) O-Rings, (1) Back-Up Ring, (1) T-Seal

*Part of seal kit, item can not be purchased individually.

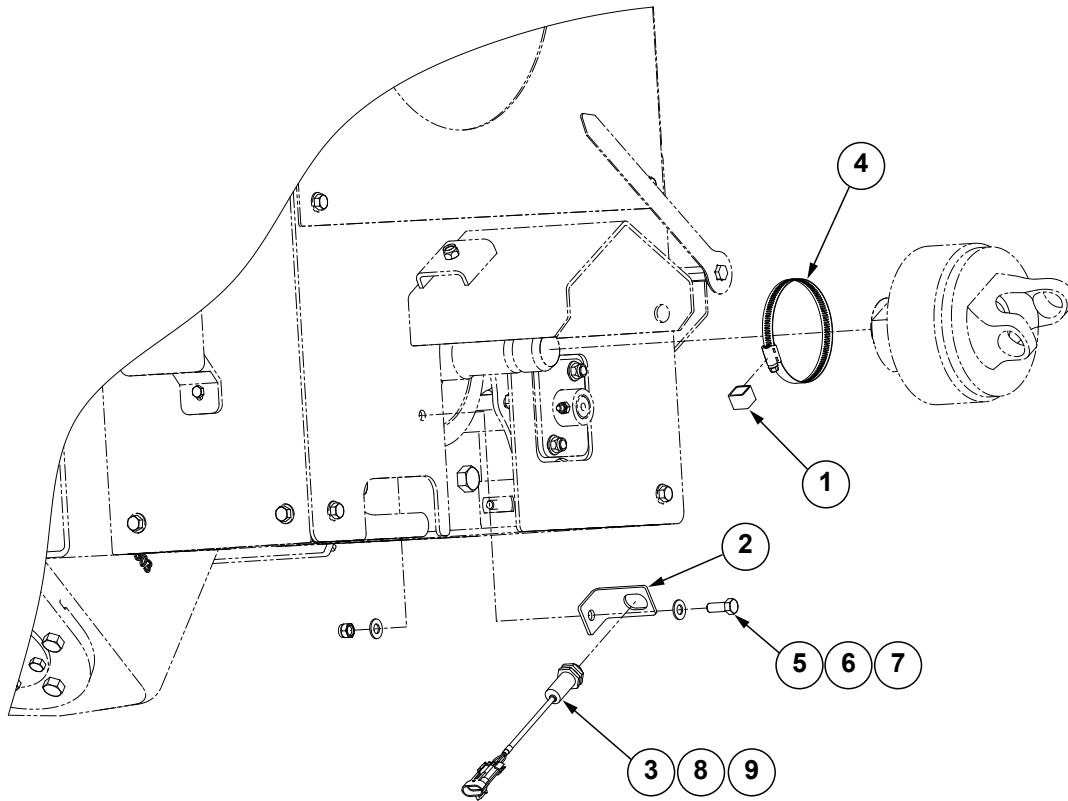
This page left blank intentionally.

(106335)



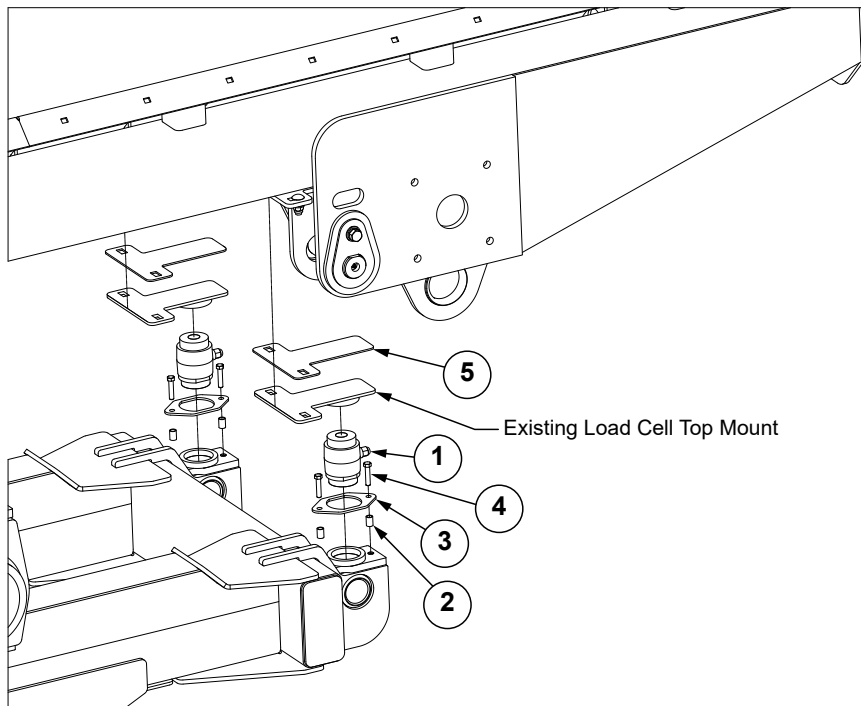
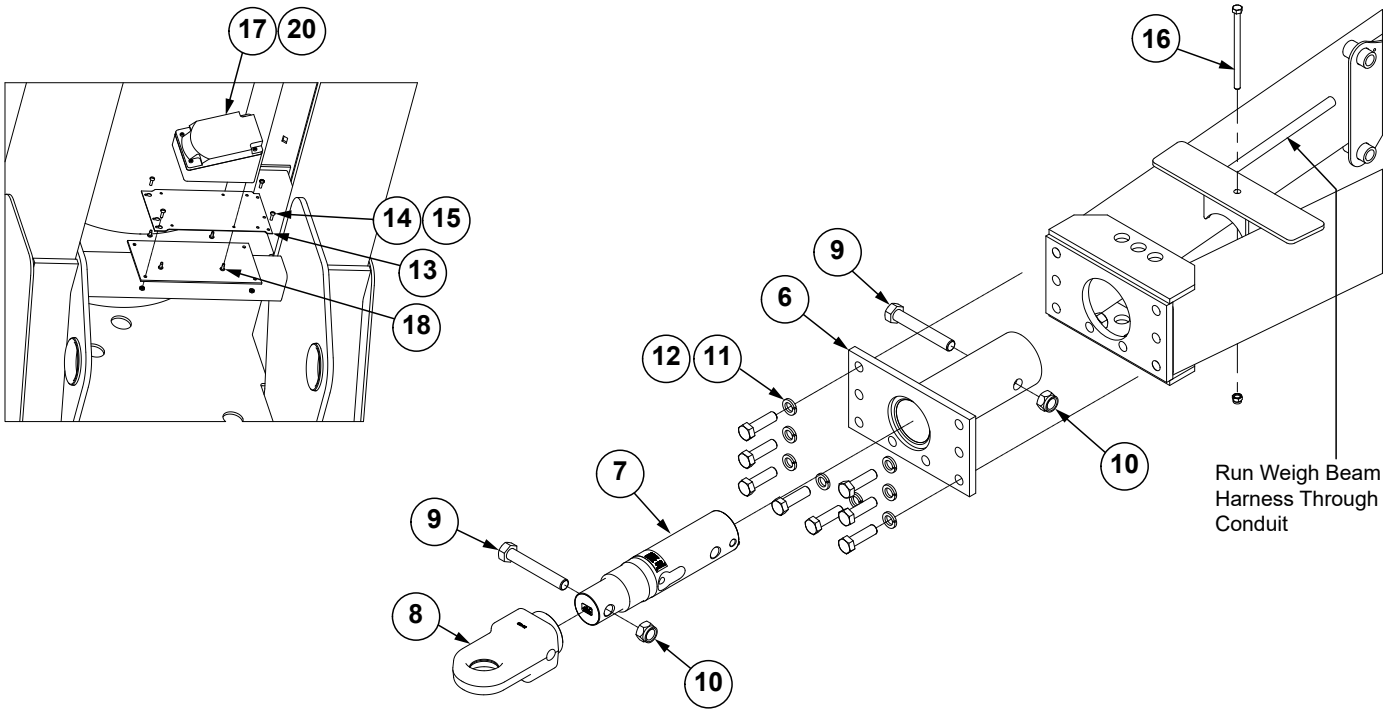
ITEM	PART NO.	QTY.	DESCRIPTION
1	GD36973	1	RPM Sensor Bracket
2	GD26448	1	AutoLog Rotation Counter Sensor
3	GD26449	1	Target
4	GD26450	1	Hose Clamp, 24SS
5	GD36981	2	Insulated Clamp, 1/4"
6	G10633701	1	Sensor Mounting Bracket
7	G11833	1	Hose Clamp, 60SS
8	G10001	1	Hex Head Cap Screw, 3/8"-16 x 1"
9	G11387	2	Flat Washer, 3/8" SAE
10	G10108	1	Lock Nut, 3/8"-16

(109902)



ITEM	PART NO.	QTY.	DESCRIPTION
1	GD26449	1	Target
2	G10633701	1	Sensor Mounting Bracket
3	GD26448	1	AutoLog Rotation Counter Sensor
4	G11833	1	Hose Clamp, 60SS
5	G10001	1	Hex Head Cap Screw, 3/8"-16 x 1"
6	G11387	2	Flat Washer, 3/8" SAE
7	G10108	1	Lock Nut, 3/8"-16
8	GD26447	1	RC Sensor Extension Cable, 16'
9	GD33123	1	RPM Sensor Cable

This page left blank intentionally.

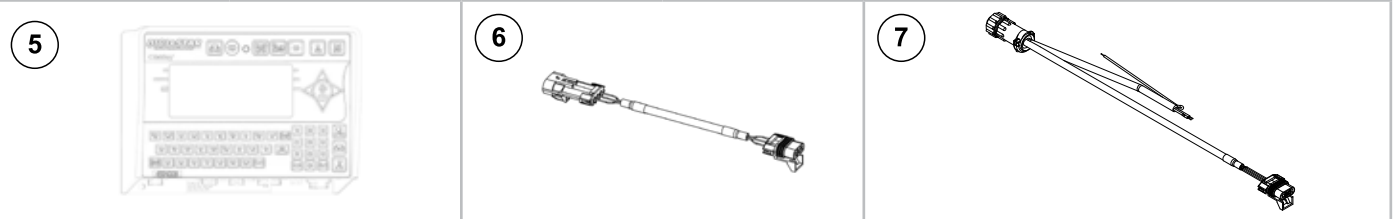


ITEM	PART NO.	QTY.	DESCRIPTION
1	GA7895	2	Load Cell
2	G10983801	4	Sleeve, ¾" O.D. x .532" I.D. x .813"
3	G10983901	2	Load Cell Retainer
4	G10053	4	Hex Head Cap Screw, ½"-13 x 2 ½"
	G11389	4	Flat Washer, ½" Plated SAE
	G10111	4	Lock Nut, ½"-13
5	GD21198	4	Load Cell Shim
6	GA19882	1	Load Cell Retainer
7	GA14842	1	Hitch Weigh Beam
8	---	----	See "Clevis Hitch Assemblies" on page P16
9	G10488101	2	Hex Head Cap Screw, 1"-8 x 7", Grade 8
10	G10396	2	Lock Nut, 1"-8
11	G10330	8	Lock Washer, 7/8"
12	G10441	8	Hex Head Cap Screw, 7/8"-9 x 3", Grade 8
13	GD17336	1	Junction Box Mounting Bracket
14	G10331	4	Pan Head Machine Screw, No. 10 x 5/8"
15	G10395	4	Hex Nut, No. 10-24
16	G11200	1	Hex Head Cap Screw, ½"-13 x 8"
	G10111	1	Lock Nut, ½"-13
17	GA12238	1	Junction Box W/30' Cable
	GA6772	-	Battery Power Cable
	GR1431	-	Cable, 30' (If Applicable)
18	G11229	4	Slotted Pan Head Self-Tapping Screw, 10-16 x ½"

GT400 Display



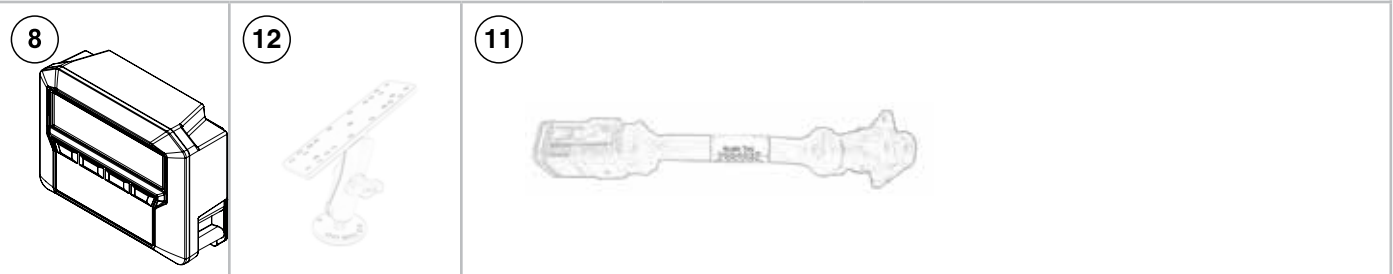
GT560 Display w/Autolog



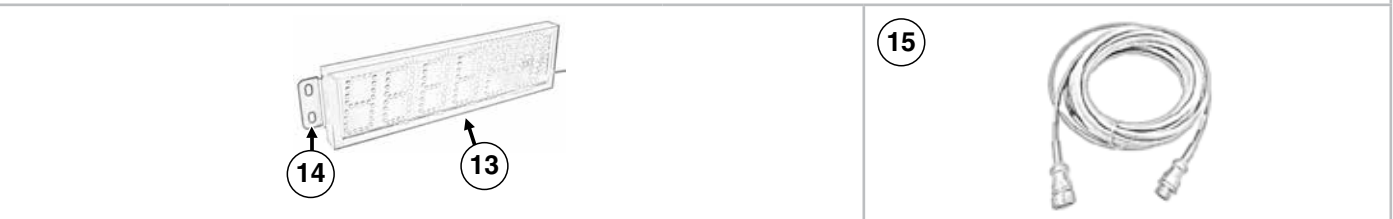
Scale-Tec Display w/ISOBUS



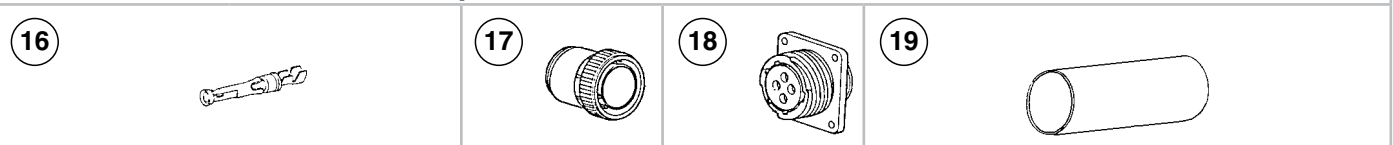
Scale-Tec Display w/Auto Log



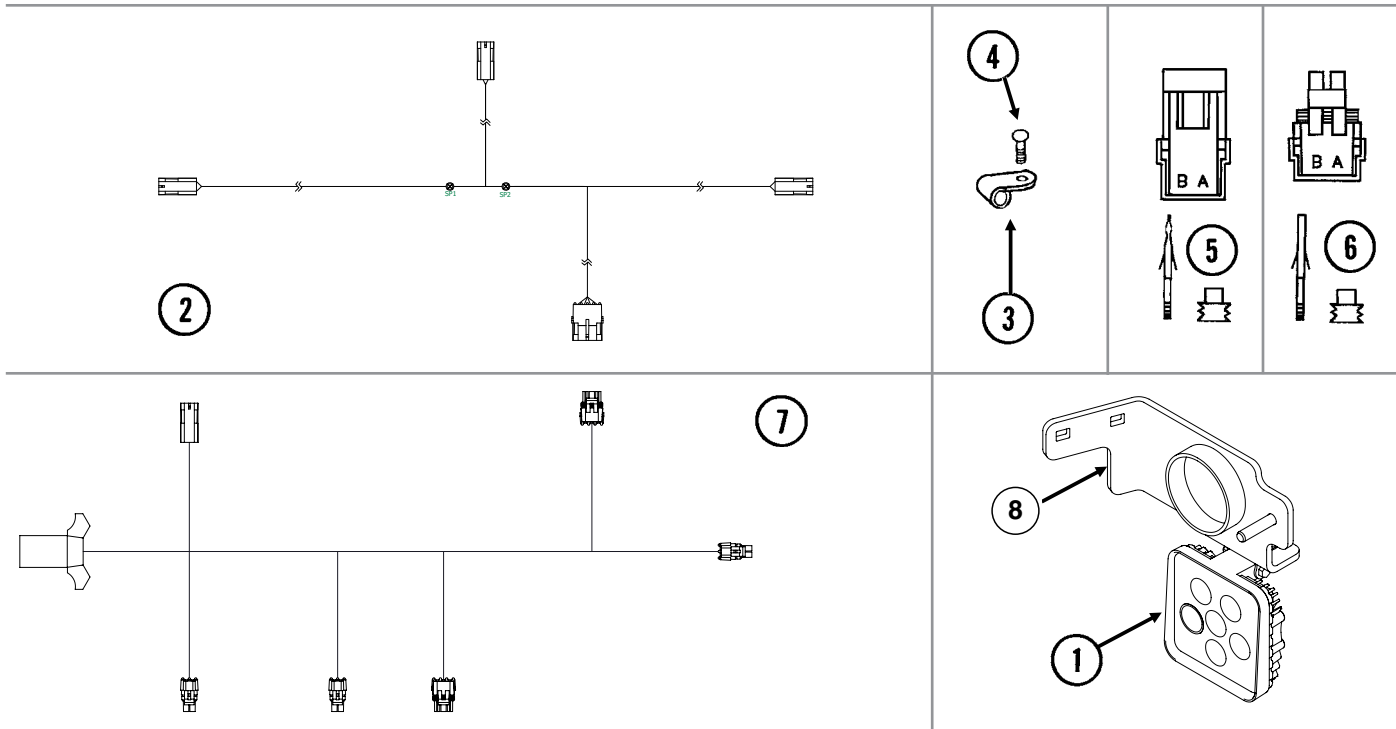
Auxiliary Scale



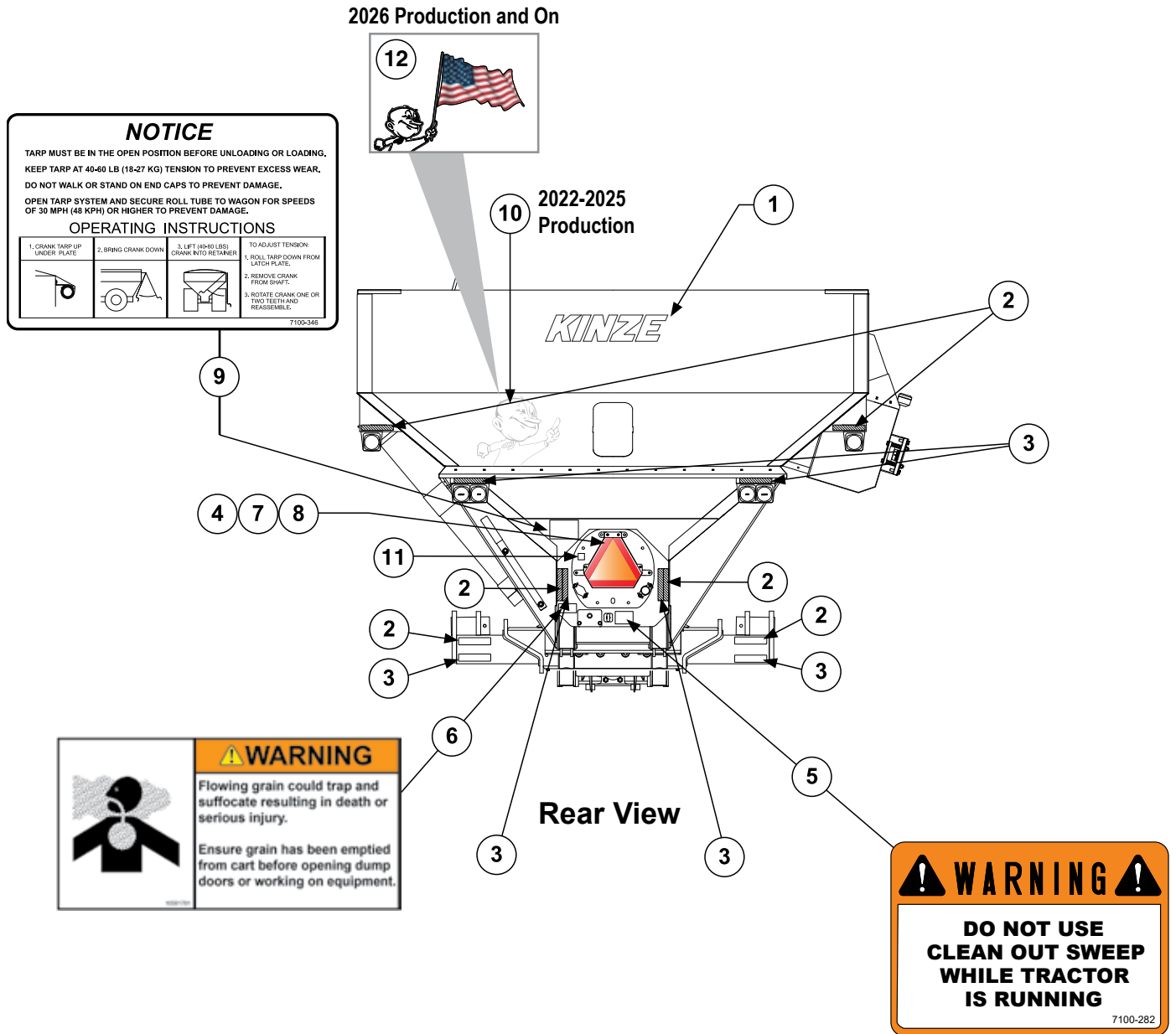
Miscellaneous Electrical Components



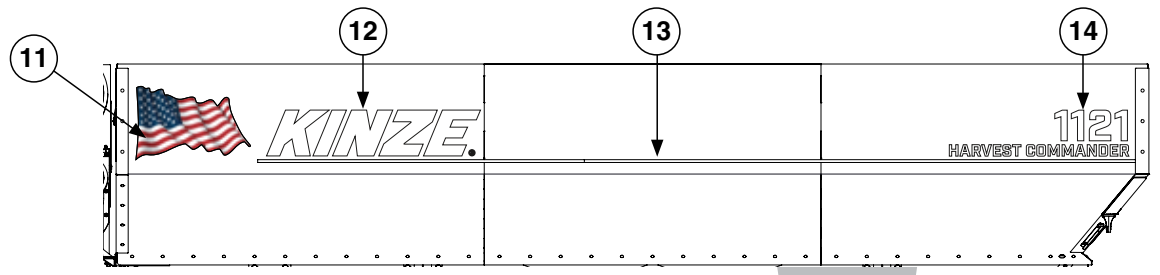
ITEM	PART NO.	QTY.	DESCRIPTION
1	G8367X	1	GT 400 Indicator (Factory Calibration Required - Specify Wagon Type)
2	GA12403	-	Mounting Bracket Assembly, Includes: (2) Mounting Brackets, (2) Connector Halves, (1) Compression Spring, (1) Tension Knob, (1) ¼"-20 x 1¾" Hex Head Cap Screw, (1) ¼" Plastic Washer, (1) ¼" Steel Washer
	GR1762	-	Console Mounting Bracket Hardware Package, Includes: (3) No. 10-32 x 5/8" Hex Socket Pan Head Screws, (3) ¼" Lock Washers
3	GA25604	1	Power Cable, 10' (2 Wire)
4	G10565201	1	Cable Extension (To Junction Box Cable)
5	GA23975	1	GT 560 Indicator (Subs to G11118101)
6	GD26447	1	RC Sensor Extension Cable, 16'
7	GD33123	1	RPM Sensor Cable
8	G11118101	1	Scale-Tec Monitor
9	G11117901	1	ISOBUS Scale Harness
10	G11143901	1	ISOBUS Remote Display Harness
11	G11118001	1	ISOBUS Adapter
12	G11118401	1	Ram Mount Assembly
13	G10484001	1	Scale Display
	G10327601	2	Magnet
14	G11114801	2	Scale Display Bracket
	G11068	4	Phillips Flat Head Machine Screw, No. 10-24 x 5/8", Stainless Steel
	G11206	4	Lock Nut, No. 10-32
15	G10813301	-	Auxiliary Scale Display Extension Harness
16	GR1171	-	Female Socket Contact
17	GR1068	-	Connector, Male
18	GR1170	-	Connector, Female
19	GR1069	-	Shrink Tube, 2½"
20	G11117801	1	Magnetic Mount Assembly
21	G10966	4	Phillips Head Self-Tapping Screw, No. 10 x ½"



ITEM	PART NO.	QTY.	DESCRIPTION
1	G11112401	1	Work Light Assembly
2	GA22878	1	Work Light Harness
3	GD6291	-	Insulated Clamp, 3/8"
4	G10305 G11091	- -	Carriage Bolt, 3/8"-16 x 1" Serrated Flange Nut, 3/8"-16
5	G1K321	-	2-Pin Female Connector Kit (Black), Includes: (3) 2-Pin Female Housings, (6) Pin Contacts, (6) Seals
6	G1K320	-	2-Pin Male Connector Kit (Black), Includes: (3) 2-Pin Male Housings, (6) Socket Contacts, (6) Seals
7	G10493601 GA5385	1 -	Wiring Harness W/7 Terminal Female Connector, 642" (5 Light Connections) 7 Terminal Female Connector
8	GA24397	-	Work Light Bracket



ITEM	PART NO.	QTY.	DESCRIPTION
1	G10480101	1	Kinze Logo, 30"
2	G7100-557	6	Reflective Decal, Red, 2" x 9", Rectangular
3	G7100-559	6	Reflective Decal, Orange, 2" x 9", Rectangular
4	G10019	4	Hex Head Cap Screw, 5/16"-18 x 1"
	G10620	4	Serrated Flange Nut, 5/16"-18
5	G7100-282	1	Decal, Warning
6	G10581701	1	Decal, Warning
7	G7100-36	1	SMV Sign
8	G10577901	1	SMV Plate
9	G7100-346	1	Decal, Notice
10	G10480001	1	Kinze Man Outline Decal, 26" x 31" (2022-2025 Production)
11	G7100-110	1	Decal, Grease Weekly
12	G11170301	1	Kinze Man W/Flag (2026 Production and On)

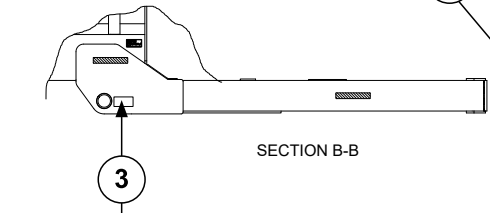
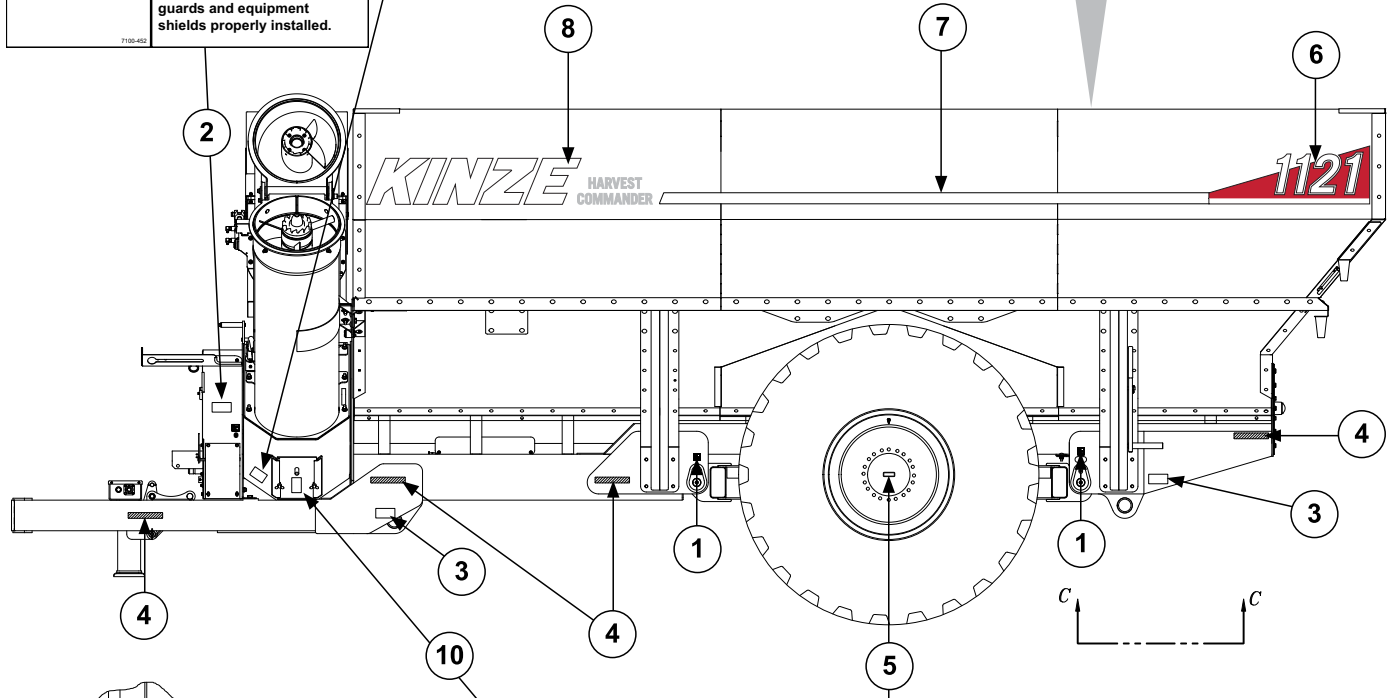


⚠ DANGER

Contacting rotating auger will cause death or serious injury. Never open or close dump door with auger operating. Remove power source before using cleanout sweep or working on equipment.

⚠ DANGER

Contact with rotating driveline will cause death or serious injury. Keep away at all times when operating. Never operate without all guards and equipment shields properly installed.



⚠ WARNING

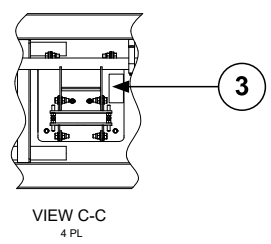
SHIPPING TIE DOWN ONLY. Pulling from this point can cause rollover or loss of control and result in death, serious injury, and damage to property and equipment.

⚠ WARNING

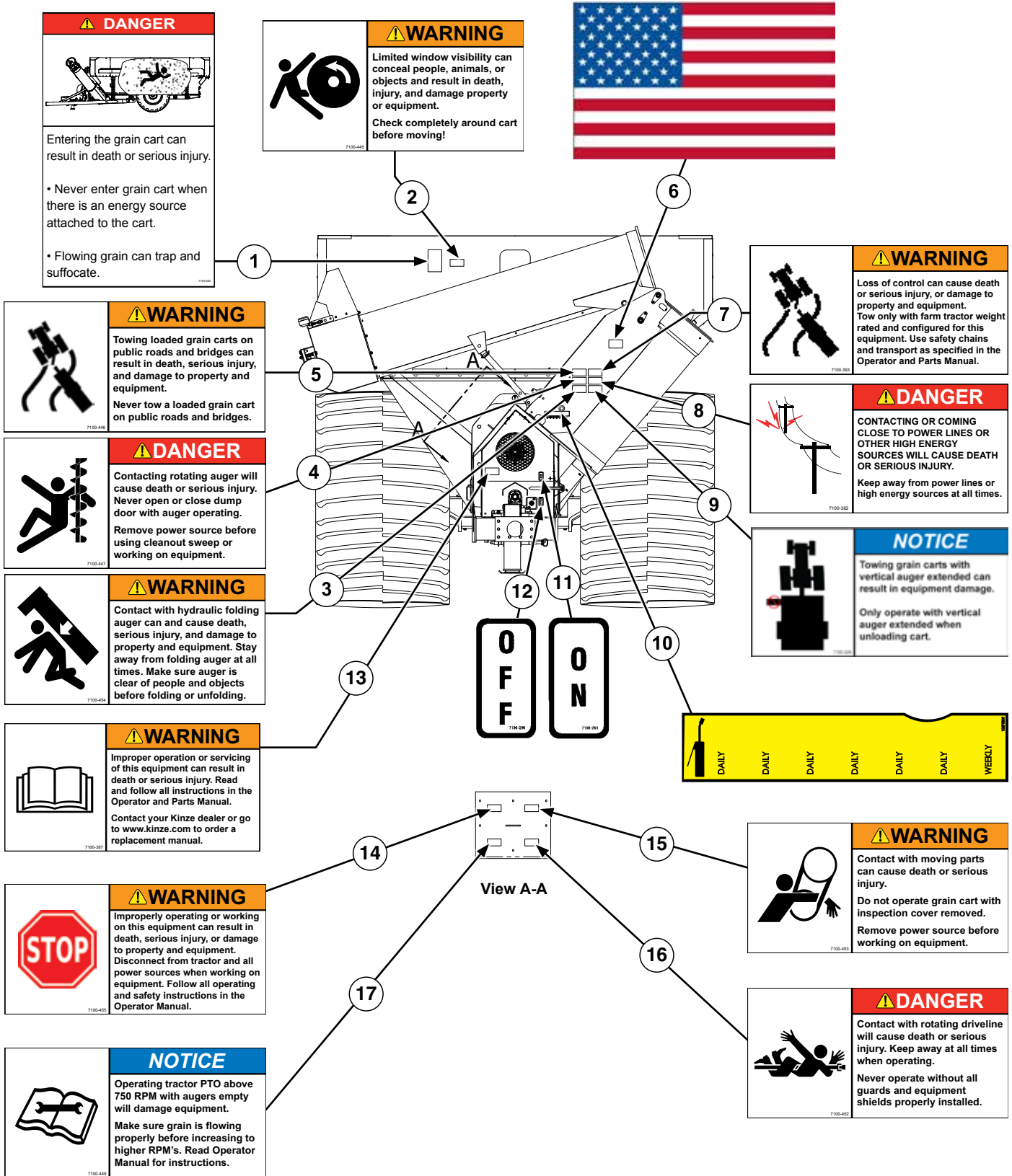
Working or contacting equipment during movement could result in serious injury. Remove all power sources before working on equipment.

Flotation
INFLATE TO 45 MIN - 50 MAX PSI
10632201


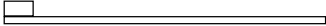
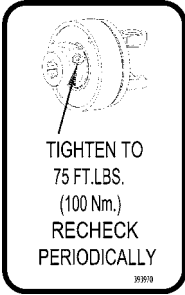


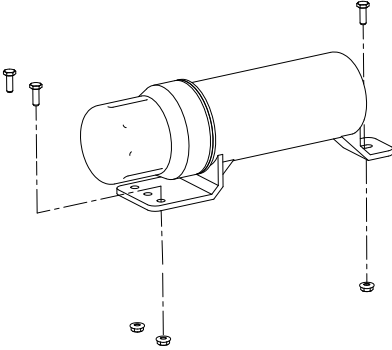
Row Crop
INFLATE TO 50 MIN - 55 MAX PSI
10669101



ITEM	PART NO.	QTY.	DESCRIPTION
1	G7100-110	6	Decal, Grease Weekly
2	G7100-452	2	Decal, Danger
3	G7100-451	4	Decal, Warning
4	G7100-558	8	Reflective Decal, Amber, 2" x 9", Rectangular
5	G10632201	2	Tire Pressure Decal (Floatation)
	G10804901	2	Tire Pressure Decal (Row Crop)
6	G10479801	2	Tail Graphic Decal, 1121 (2022-2025 Production)
7	G10479701	2	Stripe, 3" Wide (2022-2025 Production)
8	G10479901	2	Kinze Harvest Commander, 12" (2022-2025 Production)
9	G7100-447	1	Decal, Danger
10	G10797601	1	Decal, Warning
11	G11171001	2	Decal, American Flag (2026 Production and On)
12	G11170101	2	Decal, 12" Kinze (2026 Production and On)
13	G11170801	4	¾" Stripe Tape (2026 Production and On)
14	G11171201	2	Kinze Harvest Commander, 1121 (2026 Production and On)



ITEM	PART NO.	QTY.	DESCRIPTION
1	G7100-463	1	Decal, Danger
2	G7100-445	1	Decal, Warning
3	G7100-454	1	Decal, Warning
4	G7100-447	1	Decal, Danger
5	G7100-446	1	Decal, Warning
6	G7100-484	1	Decal, American Flag
7	G7100-393	1	Decal, Warning
8	G7100-382	1	Decal, Danger
9	G7100-528	1	Decal, Notice
10	G10575801	1	Decal, Grease Bank (2022 Production)
	G10649701	1	Decal, Grease Bank (2023 Production and On)
11	G7100-289	1	Decal, OFF
12	G7100-290	1	Decal, ON
13	G7100-387	1	Decal, Warning
14	G7100-455	1	Decal, Warning
15	G7100-453	1	Decal, Warning
16	G7100-452	1	Decal, Danger
17	G7100-449	1	Decal, Notice

	<p>Part No.: G7100-130 Description: Decal, Electronic Scale</p>
	<p>Part No.: GD1512 Description: Cable Tie, 7½"</p>
	<p>Part No.: GD2117 Description: Cable Tie, 14½"</p>
	<p>Part No.: G7100-314 Description: Decal, Torque Value</p>
	<p>Part No.: GR2127MPP Description: Blue Paint, Twelve Aerosol Cans</p>
	<p>Part No.: GM0315-01 Description: Operator's Manual</p> <p>Part No.: GM0315-02 Description: Parts Manual</p>
	<p>Part No.: GA15422 Description: Operator's Manual Canister Quantity: 1</p>
	<p>Part No.: G10023 Description: Hex Head Cap Screw, ¼"-20 x ¾" Quantity: 3</p>
	<p>Part No.: G10621 Description: Serrated Flange Nut, ¼"-20 Quantity: 3</p>

Numerical Index

M0315-02

Dual Auger Grain Cart

Part No.	Page	Part No.	Page	Part No.	Page	Part No.	Page
*A1079	P12	G10006	P8	G10053	P82	G10111	P12
*A1130	P26	G10006	P22	G10054	P58	G10111	P26
*A26936-144	P12	G10007	P17	G10061	P48	G10111	P26
*A26936-149	P12	G10007	P22	G10062	P36	G10111	P30
*A27240-240	P14	G10007	P28	G10063	P56	G10111	P31
*A27240-25	P56	G10007	P30	G10064	P42	G10111	P40
*A27240-49	P56	G10007	P50	G10068	P8	G10111	P42
*A27240-54	P56	G10007	P50	G10080	P8	G10111	P43
*A27240-56	P56	G10007	P52	G10085	P26	G10111	P48
*A27240-68	P14	G10007	P54	G10085	P30	G10111	P50
*A27240-69	P14	G10008	P10	G10098	P73	G10111	P52
*A27240-72	P14	G10008	P30	G10101	P46	G10111	P54
*A27240-76	P14	G10011	P26	G10101	P48	G10111	P82
*A27240-76	P56	G10011	P30	G10101	P75	G10111	P82
*A27240-77	P56	G10011	P54	G10102	P36	G10112	P22
*A27240-78	P14	G10014	P12	G10104	P11	G10112	P24
*A27240-92	P14	G10016	P43	G10105	P43	G10112	P24
*A27240-97	P56	G10017	P12	G10107	P8	G10112	P26
*A7644	P26	G10017	P26	G10107	P17	G10112	P30
*A7691-196	P30	G10017	P30	G10107	P22	G10112	P40
*A7691-200	P30	G10017	P40	G10107	P24	G10112	P54
*A7691-347	P6	G10017	P43	G10107	P26	G10117	P50
*A7691-356	P6	G10017	P50	G10107	P26	G10117	P52
*D12233	P76	G10017	P52	G10107	P26	G10118	P50
*D12235	P76	G10019	P25	G10107	P28	G10118	P52
*D12236	P76	G10019	P31	G10107	P30	G10120	P8
*D12256	P76	G10019	P48	G10107	P36	G10125	P4
*D29692	P76	G10019	P86	G10107	P40	G10125	P28
1501-02-02	P56	G10023	P28	G10107	P54	G10156	P50
A8775	P76	G10026	P8	G10108	P12	G10156	P50
A9610	P75	G10026	P24	G10108	P17	G10156	P52
D13169	P74	G10026	P40	G10108	P24	G10156	P54
D13505	P57	G10027	P22	G10108	P25	G10157	P17
G10001	P4	G10027	P24	G10108	P28	G10159	P12
G10001	P36	G10034	P22	G10108	P30	G10163	P38
G10001	P46	G10036	P30	G10108	P31	G10210	P17
G10001	P48	G10036	P54	G10108	P36	G10224	P34
G10001	P78	G10037	P4	G10108	P40	G10228	P12
G10001	P79	G10037	P26	G10108	P48	G10228	P50
G10002	P4	G10037	P31	G10108	P56	G10228	P52
G10002	P56	G10037	P36	G10108	P76	G10228	P61
G10004	P6	G10037	P42	G10108	P78	G10229	P48
G10004	P24	G10039	P8	G10108	P79	G10230	P50
G10004	P28	G10039	P10	G10109	P48	G10230	P50
G10004	P34	G10039	P50	G10110	P12	G10230	P52
G10004	P36	G10039	P52	G10110	P26	G10230	P54
G10004	P46	G10040	P12	G10110	P28	G10231	P8
G10004	P48	G10043	P20	G10110	P30	G10231	P40
G10005	P8	G10043	P57	G10110	P42	G10231	P50
G10005	P24	G10047	P17	G10110	P56	G10231	P50
G10005	P26	G10047	P48	G10111	P8	G10231	P52
G10005	P36	G10048	P12	G10111	P10	G10231	P54

Part No.	Page	Part No.	Page	Part No.	Page	Part No.	Page
G10232	P20	G10413401	P36	G10536201	P50	G10622	P4
G10232	P25	G10414101	P36	G10536201	P52	G10625	P57
G10232	P31	G10414501	P36	G10540203	P36	G10625	P58
G10233	P26	G10415101	P36	G10540204	P36	G10632201	P88
G10233	P30	G10418	P54	G10544801	P22	G10633701	P78
G10233	P31	G10438	P12	G10544801	P28	G10633701	P79
G10234	P8	G10441	P16	G10546501	P46	G10634201	P36
G10234	P50	G10441	P16	G10550701	P10	G10636	P8
G10234	P50	G10441	P16	G10550801	P8	G10636	P10
G10234	P52	G10441	P82	G10556701	P36	G10636	P54
G10234	P54	G10442001	P52	G10556901	P36	G10638	P26
G10236	P54	G10453	P26	G10557001	P36	G10638	P30
G10239	P54	G10453	P28	G10557101	P36	G10640	P14
G10301	P6	G10459	P34	G10558301	P22	G10640	P34
G10301	P42	G10460	P12	G10558801	P36	G10640	P50
G10301	P46	G10460101	P50	G10563001	P57	G10640	P52
G10305	P4	G10460101	P52	G10565201	P84	G10640	P54
G10305	P12	G10469	P66	G10569001	P40	G10640	P56
G10305	P22	G10469	P68	G10569601	P42	G10641	P8
G10305	P24	G10471	P58	G10575801	P90	G10641	P61
G10305	P24	G10471201	P36	G10577901	P86	G10641	P64
G10305	P30	G10472101	P36	G10578001	P22	G10641	P64
G10305	P38	G10472301	P36	G10578101	P22	G10641	P64
G10305	P40	G10472701	P36	G10581	P8	G10641	P66
G10305	P43	G10479701	P88	G10581701	P86	G10641	P73
G10305	P46	G10479801	P88	G10584801	P22	G10644201	P36
G10305	P48	G10479901	P88	G10584901	P22	G10647	P16
G10305	P85	G10480001	P86	G10589101	P48	G10649201	P10
G10309	P28	G10480101	P86	G10589201	P48	G10649701	P90
G10327601	P84	G10484001	P84	G10589301	P48	G10651601	P10
G10330	P16	G10488101	P16	G10589401	P48	G10664101	P54
G10330	P16	G10488101	P82	G10589501	P48	G10666801	P54
G10330	P16	G10493601	P85	G10589701	P48	G10670	P24
G10330	P82	G10496901	P46	G10589801	P48	G10670	P28
G10331	P82	G10497301	P46	G10589901	P48	G10670901	P54
G10336	P8	G10497401	P46	G10590001	P48	G10671	P17
G10336	P50	G10497501	P46	G10590101	P48	G10671001	P54
G10336	P50	G10502301	P43	G10590201	P48	G10675801	P54
G10336	P52	G10502401	P43	G10590301	P48	G10676001	P54
G10336	P54	G10502501	P43	G10590401	P48	G10676201	P54
G10343	P72	G10502601	P43	G10591801	P48	G10684601	P56
G10373	P57	G10515201	P50	G10599	P28	G10684701	P56
G10395	P82	G10515201	P52	G10599	P42	G10686	P25
G10396	P82	G10516301	P42	G10599302	P36	G10686	P31
G10400	P54	G10516401	P42	G10602	P20	G10689	P11
G10404	P50	G10523301	P46	G10602	P26	G10701601	P54
G10404	P50	G10530901	P6	G10602	P31	G10710301	P54
G10404	P52	G10531001	P6	G10610	P20	G10710301	P58
G10404	P54	G10534901	P24	G10610	P48	G10710401	P54
G10411001	P36	G10534901	P28	G10615001	P14	G10710401	P58
G10413001	P36	G10535501	P36	G10620	P86	G10712101	P24
G10413301	P36	G10535701	P36	G10621	P28	G10715001	P30

Part No.	Page	Part No.	Page	Part No.	Page	Part No.	Page
G10716701	P16	G10943	P56	G11091	P85	G11224501	P66
G10716801	P16	G10960	P20	G11093	P54	G11224601	P66
G10716901	P16	G10966	P84	G11094	P14	G11224701	P66
G10721001	P48	G10983	P75	G11094	P24	G11224701	P68
G10726	P58	G10983801	P82	G11094	P30	G11224801	P72
G10730	P26	G10983901	P82	G11094	P56	G11224901	P72
G10730	P30	G10984	P75	G11096	P16	G11225001	P72
G10743	P26	G10985	P48	G11112401	P6	G11225101	P72
G10743	P26	G10988701	P54	G11112401	P85	G11225201	P72
G10744201	P48	G10988801	P50	G11114801	P84	G11225301	P72
G10760201	P28	G10988801	P52	G11117801	P84	G11225401	P66
G10769	P34	G10999401	P48	G11117901	P84	G11225501	P73
G10770	P74	G11012	P12	G11118001	P84	G11225601	P73
G10774001	P28	G11012	P20	G11118101	P84	G11225701	P68
G10779401	P12	G11013101	P48	G11118401	P84	G11225801	P73
G10780501	P28	G11014901	P6	G11143901	P84	G11227901	P66
G10782201	P54	G11016	P74	G11162	P50	G11229	P82
G10782202	P54	G11025	P4	G11162	P52	G11244401	P68
G10782203	P54	G11030	P20	G11170101	P88	G11244501	P68
G10782204	P54	G11031	P20	G11170301	P86	G11244601	P68
G10782601	P54	G11032	P20	G11170801	P88	G11244701	P68
G10794001	P11	G11041	P54	G11171001	P88	G11244801	P68
G10794101	P30	G11042	P24	G11171201	P88	G11271	P48
G10797601	P88	G11042	P30	G11196	P57	G11334	P12
G10799701	P10	G11042	P34	G11200	P82	G11344	P22
G10799701	P12	G11042	P40	G11206	P84	G11385	P56
G10799702	P10	G11043	P40	G11218001	P46	G11386	P24
G10799702	P12	G11045001	P40	G11221201	P61	G11386	P28
G10801701	P58	G11045101	P22	G11221301	P61	G11386	P48
G10804901	P88	G11046	P26	G11221401	P61	G11387	P22
G10805101	P8	G11046	P30	G11221501	P61	G11387	P24
G10805801	P22	G11046	P38	G11222201	P61	G11387	P28
G10805801	P34	G11046	P40	G11222301	P61	G11387	P30
G10810401	P50	G11046	P42	G11222401	P61	G11387	P36
G10810401	P54	G11051	P38	G11222501	P61	G11387	P40
G10813301	P84	G11058	P17	G11222601	P61	G11387	P46
G10817801	P24	G11068	P84	G11222701	P61	G11387	P48
G10817801	P28	G11071	P22	G11222801	P66	G11387	P56
G10823001	P31	G11071	P24	G11222901	P66	G11387	P78
G10825001	P34	G11073301	P46	G11222901	P72	G11387	P79
G10834301	P16	G11091	P6	G11222901	P73	G11389	P6
G10834401	P16	G11091	P22	G11223001	P66	G11389	P8
G10834501	P16	G11091	P24	G11223101	P66	G11389	P10
G10838301	P50	G11091	P24	G11223201	P66	G11389	P12
G10840	P20	G11091	P26	G11223401	P66	G11389	P22
G10849	P8	G11091	P30	G11223501	P66	G11389	P28
G10850	P8	G11091	P38	G11223501	P68	G11389	P28
G10901	P48	G11091	P40	G11223601	P66	G11389	P36
G10913	P34	G11091	P42	G11224101	P66	G11389	P43
G10931501	P31	G11091	P43	G11224201	P66	G11389	P50
G10939	P75	G11091	P46	G11224301	P66	G11389	P52
G10939	P76	G11091	P48	G11224401	P66	G11389	P54

Part No.	Page	Part No.	Page	Part No.	Page	Part No.	Page
G11389	P82	G3324-01	P17	GA0531	P58	GA22704	P48
G11391	P11	G3400-01	P25	GA0532	P57	GA22746	P48
G11391	P17	G3400-01	P31	GA0532	P58	GA22878	P6
G11391	P22	G4425-05	P28	GA0705	P66	GA22878	P85
G11391	P26	G4425-06	P28	GA10016	P22	GA23975	P84
G11391	P26	G6405-04-02	P4	GA10017	P22	GA24396	P46
G11391	P26	G6405-04-02	P28	GA10168	P30	GA24397	P85
G11391	P28	G6408-04	P4	GA10175	P24	GA24936	P64
G11391	P30	G6408-08	P76	GA10175	P30	GA24938	P60
G11391	P36	G6801-06-08	P6	GA10181	P8	GA24939	P64
G11391	P50	G6801-06-08	P74	GA10187	P26	GA24939	P71
G11391	P50	G6801-08	P12	GA10187	P28	GA24940	P64
G11391	P52	G7100-110	P86	GA10188	P25	GA24940	P69
G11391	P54	G7100-110	P88	GA10188	P30	GA24941	P69
G11392	P22	G7100-130	P91	GA11388	P58	GA24942	P64
G11392	P24	G7100-282	P86	GA11509	P57	GA24942	P70
G11393	P54	G7100-289	P90	GA12238	P82	GA24943	P70
G11393	P61	G7100-290	P90	GA12403	P84	GA24943	P71
G11394	P6	G7100-314	P91	GA13344	P48	GA24944	P67
G11398	P58	G7100-346	P86	GA13345	P48	GA25054	P70
G11558	P14	G7100-36	P86	GA14201	P20	GA25054	P71
G11559	P8	G7100-382	P90	GA14691	P43	GA25604	P84
G11723	P48	G7100-387	P90	GA14692	P43	GA26166	P76
G11725	P14	G7100-393	P90	GA14699	P6	GA26924-01	P12
G11833	P78	G7100-445	P90	GA14842	P82	GA26924-02	P12
G11833	P79	G7100-446	P90	GA14864	P40	GA26924-03	P26
G11874	P17	G7100-447	P88	GA14978	P8	GA26924-03	P30
G11897	P34	G7100-447	P90	GA14992	P20	GA26924-04	P26
G11902	P34	G7100-449	P90	GA15422	P28	GA26924-04	P30
G12039	P60	G7100-451	P88	GA15422	P91	GA26924-07	P6
G12040	P64	G7100-452	P88	GA15469	P42	GA26924-08	P6
G12040	P67	G7100-452	P90	GA15470	P42	GA4214	P16
G12202-16	P70	G7100-453	P90	GA15471	P42	GA4722	P34
G12202-16	P71	G7100-454	P90	GA15643	P54	GA4723	P4
G12203	P67	G7100-455	P90	GA16699	P6	GA5385	P85
G12204	P67	G7100-463	P90	GA16700	P6	GA5987	P66
G12205-50	P64	G7100-484	P90	GA17046	P12	GA6128	P57
G12205-50	P67	G7100-528	P90	GA17046	P20	GA6128	P58
G12206-60	P64	G7100-557	P86	GA17049	P16	GA6772	P82
G12207-30	P60	G7100-558	P88	GA17051	P20	GA7561	P16
G12207-30	P64	G7100-559	P86	GA17092	P30	GA7895	P82
G12208-40	P60	G8367X	P84	GA18487	P10	GA8130	P75
G12209-50	P64	G9940X	P17	GA18517	P10	GA9088	P8
G12210-60	P60	GA0237	P34	GA19431	P12	GA9221	P50
G12211-70	P60	GA0238	P34	GA19446	P16	GA9221	P52
G12221	P69	GA0238	P66	GA19882	P82	GA9221	P54
G1K320	P85	GA0239	P34	GA20808	P12	GA9225	P50
G1K321	P85	GA0449	P8	GA20808	P75	GA9225	P52
G1K477	P48	GA0504	P4	GA21166	P6	GA9225	P54
G1K502	P8	GA0504	P28	GA21166	P76	GA9242	P30
G1K504	P10	GA0530	P58	GA21313	P48	GA9243	P34
G2800-01	P34	GA0531	P57	GA22703	P48	GA9257	P12

Part No.	Page	Part No.	Page	Part No.	Page	Part No.	Page
GA9261	P38	GA9715	P42	GD13092	P4	GD13767	P28
GA9265	P22	GA9716	P40	GD13093	P4	GD13768	P24
GA9270	P40	GA9717	P34	GD13094	P4	GD13768	P30
GA9276	P40	GA9841	P30	GD13170	P74	GD13778	P8
GA9277	P43	GA9841	P34	GD13172	P74	GD13779	P38
GA9278	P43	GA9938	P4	GD13173	P74	GD13779	P42
GA9285	P8	GA9938	P30	GD13348	P6	GD13803	P38
GA9291	P34	GA9939	P4	GD13348	P56	GD13804	P22
GA9292	P4	GA9940	P4	GD13400	P74	GD13805	P22
GA9292	P34	GA9976	P8	GD13402	P4	GD13808	P50
GA9298	P34	GA9980	P22	GD13403	P4	GD13881	P42
GA9300	P43	GA9980	P34	GD13498	P75	GD13882	P34
GA9301	P4	GB0218	P26	GD13500	P75	GD13883	P34
GA9303	P4	GB0218	P30	GD13524-01	P34	GD13884	P34
GA9303	P28	GB0218	P36	GD13541	P74	GD14036	P40
GA9309	P26	GB0338	P25	GD13558	P30	GD14237	P4
GA9309	P30	GB0338	P31	GD13558	P34	GD14238	P4
GA9310	P26	GB0377	P26	GD13559	P30	GD14239	P4
GA9310	P30	GB0378	P26	GD13559	P34	GD14241	P4
GA9311	P26	GB0378	P30	GD13560	P30	GD14242	P4
GA9312	P24	GB0382	P57	GD13560	P34	GD14311	P24
GA9313	P24	GB0384	P58	GD13561	P30	GD14311	P28
GA9313	P28	GD0148	P34	GD13561	P34	GD14354	P22
GA9316	P34	GD10705	P12	GD1359	P58	GD14354	P24
GA9327	P24	GD1109	P52	GD13598	P20	GD14539	P22
GA9343	P38	GD11649	P36	GD1360	P58	GD14540	P22
GA9345	P11	GD11751	P75	GD13600	P20	GD14610	P26
GA9346	P12	GD11950	P76	GD13601	P20	GD14610	P30
GA9347	P12	GD12101	P76	GD13602	P20	GD14620	P25
GA9348	P12	GD12510	P76	GD13603	P20	GD14620	P30
GA9349	P24	GD12572	P75	GD13604	P20	GD14631	P25
GA9350	P12	GD12878	P38	GD13605	P20	GD14634	P26
GA9353	P12	GD12879	P38	GD13606	P20	GD14644	P24
GA9354	P12	GD12880	P38	GD13608	P20	GD14644	P30
GA9356	P12	GD12881	P38	GD13609	P20	GD14653	P11
GA9357	P25	GD12947	P38	GD13610	P20	GD1512	P91
GA9357	P31	GD12955	P34	GD13677	P30	GD15973	P38
GA9368	P38	GD13006	P24	GD13677	P34	GD15974	P38
GA9478	P24	GD13011	P22	GD13694	P26	GD16021	P38
GA9478	P28	GD13042	P40	GD13694	P30	GD16565	P57
GA9484	P20	GD13045	P40	GD13698	P20	GD16709	P57
GA9561	P74	GD13050	P40	GD13724	P12	GD16710	P57
GA9616	P30	GD13080	P4	GD13735	P12	GD16712	P57
GA9616	P74	GD13082	P4	GD13736	P12	GD17161	P6
GA9665	P20	GD13083	P4	GD13739	P20	GD17161	P56
GA9668	P20	GD13086	P4	GD13739	P42	GD17336	P82
GA9670	P20	GD13087	P4	GD13755	P12	GD18974	P48
GA9699	P40	GD13088	P4	GD13763	P26	GD18975	P48
GA9705	P12	GD13088	P30	GD13763	P31	GD18976	P48
GA9707	P24	GD13088	P34	GD13764	P24	GD18978	P48
GA9707	P28	GD13089	P4	GD13764	P28	GD18980	P48
GA9708	P24	GD13090	P4	GD13767	P24	GD18987	P48

Part No.	Page	Part No.	Page	Part No.	Page	Part No.	Page
GD18990	P48	GD34837	P70	GD34890	P71	GR0191	P58
GD19068	P48	GD34837	P71	GD34891	P64	GR0192	P58
GD19789	P50	GD34838	P60	GD34891	P67	GR0193	P6
GD19789	P52	GD34839	P60	GD34892	P67	GR0265	P8
GD20225	P40	GD34840	P60	GD34893	P68	GR0270	P22
GD20596	P48	GD34842	P70	GD34943	P70	GR0367	P6
GD20857	P58	GD34842	P71	GD34943	P71	GR0528	P34
GD20997	P6	GD34843	P64	GD34944	P70	GR1037	P12
GD2117	P91	GD34844	P71	GD34944	P71	GR1037	P74
GD21198	P82	GD34845	P70	GD34945	P68	GR1037	P6
GD21265	P4	GD34846	P64	GD34946	P68	GR1037	P76
GD21335	P40	GD34847	P64	GD34947	P68	GR1068	P84
GD21336	P40	GD34849	P64	GD34948	P68	GR1069	P84
GD21368	P6	GD34850	P64	GD35090	P69	GR1170	P84
GD22536	P50	GD34851	P64	GD35090	P70	GR1171	P84
GD24761	P26	GD34852	P70	GD35090	P71	GR1174	P8
GD24761	P30	GD34852	P71	GD35091	P64	GR1210	P2
GD24851	P30	GD34853	P64	GD35092	P60	GR1211	P2
GD25067	P20	GD34854	P64	GD35128	P17	GR1212	P2
GD25419	P10	GD34855	P64	GD35129	P17	GR1215	P2
GD2558	P12	GD34856	P60	GD35201	P17	GR1220	P2
GD2558	P20	GD34857	P60	GD35310	P67	GR1222	P2
GD2558	P38	GD34858	P60	GD35413-7.88	P12	GR1246	P2
GD26447	P79	GD34859	P60	GD35413-7.88	P14	GR1300	P2
GD26447	P84	GD34861	P64	GD36717	P69	GR1376	P8
GD26448	P78	GD34862	P64	GD36718	P69	GR1430	P2
GD26448	P79	GD34863	P64	GD36719	P69	GR1431	P82
GD26449	P78	GD34864	P60	GD36973	P78	GR1434	P8
GD26449	P79	GD34865	P60	GD36981	P78	GR1465	P4
GD26450	P78	GD34866	P70	GD4086	P26	GR1465	P4
GD26892	P10	GD34866	P71	GD5875	P28	GR1517	P12
GD27233	P76	GD34867	P64	GD6136	P12	GR1598	P74
GD2734-16	P12	GD34868	P64	GD6291	P4	GR1600	P75
GD29033	P12	GD34869	P60	GD6291	P28	GR1640	P2
GD29312	P10	GD34870	P64	GD6291	P46	GR1642	P2
GD29689	P76	GD34871	P69	GD6291	P56	GR1644	P2
GD2971-13	P26	GD34872	P64	GD6291	P85	GR1645	P2
GD2971-13	P31	GD34873	P60	GD6433	P8	GR1648	P2
GD29792	P10	GD34874	P64	GD7079	P4	GR1649	P2
GD29793	P8	GD34878	P64	GD7079	P34	GR1661	P2
GD30439	P76	GD34879	P60	GD7889	P26	GR1669	P2
GD31526	P48	GD34880	P64	GD7889	P31	GR1670	P2
GD32354	P48	GD34882	P64	GD8893-07	P17	GR1672	P2
GD32358	P48	GD34883	P69	GD9592	P8	GR1681	P57
GD33123	P79	GD34884	P60	GD9592	P50	GR1693	P2
GD33123	P84	GD34885	P60	GD9592	P52	GR1694	P2
GD33707	P28	GD34886	P60	GD9592	P54	GR1695	P2
GD3457-09	P8	GD34887	P60	GM0315-01	P91	GR1699	P2
GD34779	P56	GD34888	P60	GM0315-02	P91	GR1700	P2
GD34835	P69	GD34889	P67	GR0188	P34	GR1701	P2
GD34836	P60	GD34890	P69	GR0189	P34	GR1704	P2
GD34837	P69	GD34890	P70	GR0191	P57	GR1762	P84

Part No.	Page	Part No.	Page	Part No.	Page	Part No.	Page
GR1788	P2						
GR1789	P2						
GR1791	P2						
GR1792	P2						
GR1793	P2						
GR1794	P2						
GR2069	P58						
GR2126	P46						
GR2127MPP	P91						
GR2229	P76						
GR2269	P2						
GR2270	P2						
GR2271	P2						
GR2272	P2						
GR2276	P60						
GR2277	P60						
GR2278	P69						
GR2278	P69						