

# DUAL AUGER GRAIN CARTS

# PARTS MANUAL

(1321/1421/1521/1721)

**M0316-02**

**Rev. 3/26**

This manual applies to:            2022 Production and on

Record the model number and serial number of your planter along with date purchased:

Serial Number \_\_\_\_\_

Date Purchased \_\_\_\_\_

Information in this manual was current at time of printing. However, due to Kinze's ongoing product improvement, production changes may cause your machine to appear slightly different in detail. Kinze Manufacturing, Inc. reserves the right to change specifications or design without notice and without incurring obligation to install the same on machines previously manufactured.

Right hand (R.H.) and left hand (L.H.), as used throughout this manual, are determined by facing in the direction the machine will travel when in use, unless otherwise stated.

**This page left blank intentionally.**

**DRIVE COMPONENTS**

PTO Assembly - 1¾"-20 Spline Yoke . . . . .	P1
PTO Assembly - 1¾"-20 Spline Yoke, Grain Transfer. . . . .	P4
Intermediate Drive Line. . . . .	P5
Gearbox . . . . .	P6
V-Belt Idler Assembly . . . . .	P7
Idler Arm Assembly . . . . .	P10
Auger Drive Grease Hose Assembly . . . . .	P11
Horizontal Auger Drive Hub Assembly . . . . .	P13

**MAIN FRAME**

Clevis Hitch Assemblies . . . . .	P15
Safety Chain . . . . .	P16
Front Hitch . . . . .	P17
Jack Assembly . . . . .	P19
Grain Transfer . . . . .	P21
Front Lower Housing. . . . .	P23
Vertical Auger Assembly (2022 Production) . . . . .	P25
Vertical Auger Assembly (2023-2025 Production). . . . .	P27
Vertical Auger Assembly (2026 Production and On). . . . .	P29
Upper Vertical Auger Assembly. . . . .	P31
Lower Vertical Auger Sub Assembly. . . . .	P33
Upper Vertical Auger Sub Assembly . . . . .	P34
Frame Assembly . . . . .	P35
Cleanout Sweep Assembly (2022 Production) . . . . .	P37
Cleanout Sweep Assembly (2023 - 2024 Production) . . . . .	P39
Cleanout Sweep Assembly (2025 Production and On). . . . .	P41
Inner Grain Transfer . . . . .	P43
Lower Tank Assembly (1321) . . . . .	P45
Lower Tank Assembly (1421/1521). . . . .	P49
Lower Tank Assembly (1721) . . . . .	P53
Inner Truss Support . . . . .	P55
Hydraulic Flow Gate, Front Assembly (1321) . . . . .	P57
Hydraulic Flow Gate, Rear Assembly (1321) . . . . .	P59
Hydraulic Flow Gate, Front Assembly (1421/1521) . . . . .	P61
Hydraulic Flow Gate, Rear Assembly (1421/1521). . . . .	P63
Hydraulic Flow Gate, Front Assembly (1721) . . . . .	P65
Hydraulic Flow Gate, Rear Assembly (1721) . . . . .	P67
Lower Tank Supports (1321/1421/1521/1721) . . . . .	P69
Cross Brace Assemblies . . . . .	P72
Upper Tank Assembly . . . . .	P73
Upper Tank Side Panels and Bracing . . . . .	P75
Roll Tarp . . . . .	P77
Electric Roll Tarp . . . . .	P81
Electric Roll Tarp Miscellaneous . . . . .	P83
Flotation Axle (1321/1421/1521) . . . . .	P85
Track Axle (1321/1421/1521) . . . . .	P87

Track Axle (1721) . . . . .	P89
Track Assembly (1321/1421/1521). . . . .	P91
Track Main Frame (1321/1421/1521) . . . . .	P93
Detensioning Tool . . . . .	P95
Camso Service Tools . . . . .	P96
Bogie Hub Assembly (1321/1421/1521). . . . .	P97
Alignment Link W/Hubs (1321/1421/1521). . . . .	P98
Tension Link W/Hubs (1321/1421/1521). . . . .	P99
36" Track Assembly (1721). . . . .	P100
Track End Wheel (1721). . . . .	P101
Track Mid Wheel (1721) . . . . .	P102
Hub Assembly (1321 Flotation). . . . .	P103
Hub Assembly (1421/1521 Flotation) . . . . .	P104
Tire Assemblies (Flotation) . . . . .	P105

**HYDRAULICS**

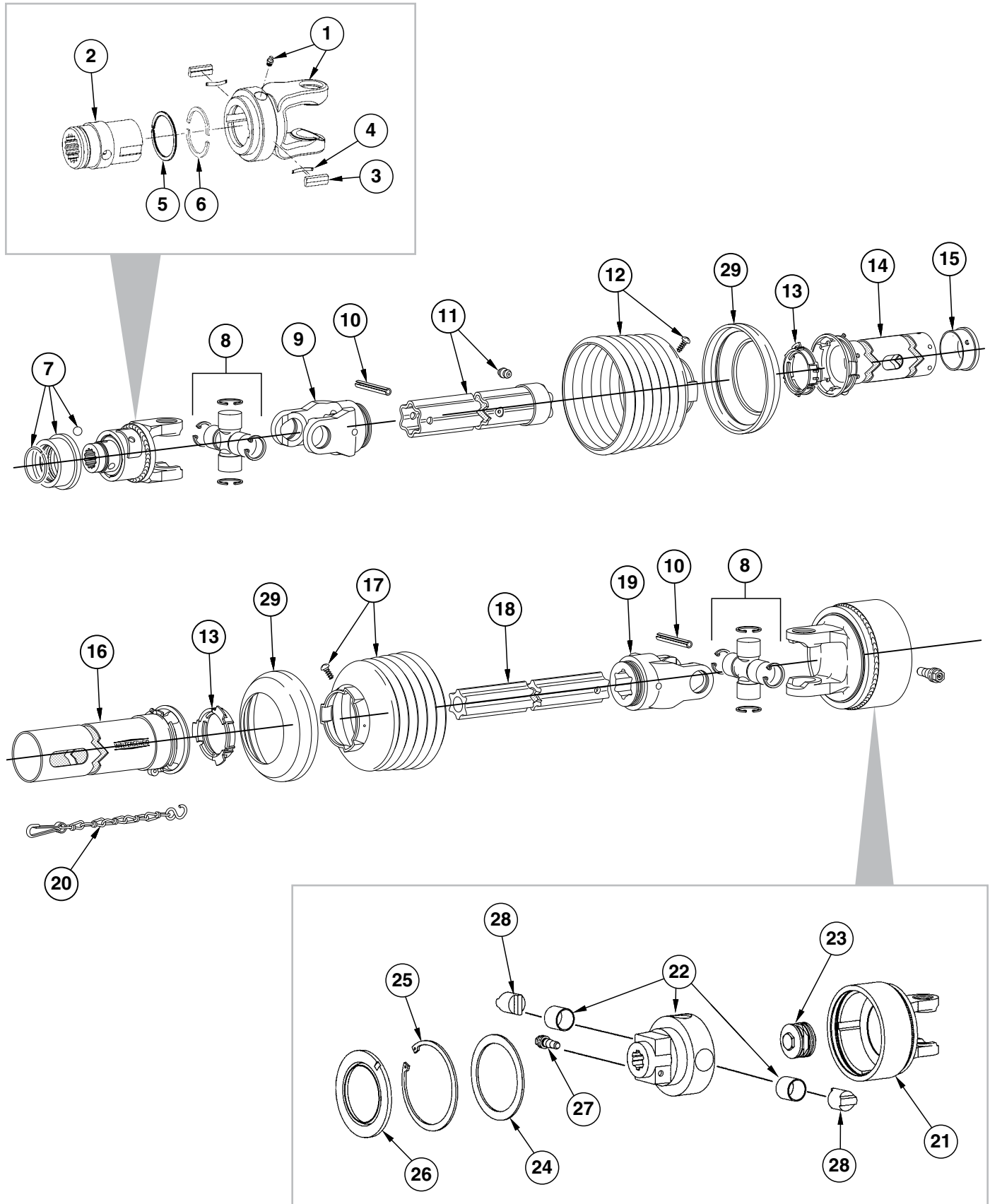
Hydraulic Schematic . . . . .	P107
Vertical Auger Grease Hose Assembly . . . . .	P109
Hydraulic Flow Gate Cylinder . . . . .	P111
Auger Discharge Hood Cylinder . . . . .	P112
Auger Rotate Cylinder. . . . .	P113
Vertical Auger Cylinder . . . . .	P115
Horizontal Auger Drive (Idler) Cylinder . . . . .	P116
Counterbalance Valve Block . . . . .	P117
Spout Manifold Block Assembly . . . . .	P118
Floor Auger Manifold Block Assembly. . . . .	P119
Auger Rotate Manifold Block Assembly . . . . .	P120

**ELECTRICAL**

Electrical Schematic . . . . .	P121
Safety/Warning Lights . . . . .	P123
AutoLog. . . . .	P124
Electronic Scale Components, Flotation and Track . . . . .	P125
Miscellaneous Electronic Scale Components. . . . .	P127

**DECALS, PAINT, AND MISCELLANEOUS P129****NUMERICAL INDEX . . . . . P139**

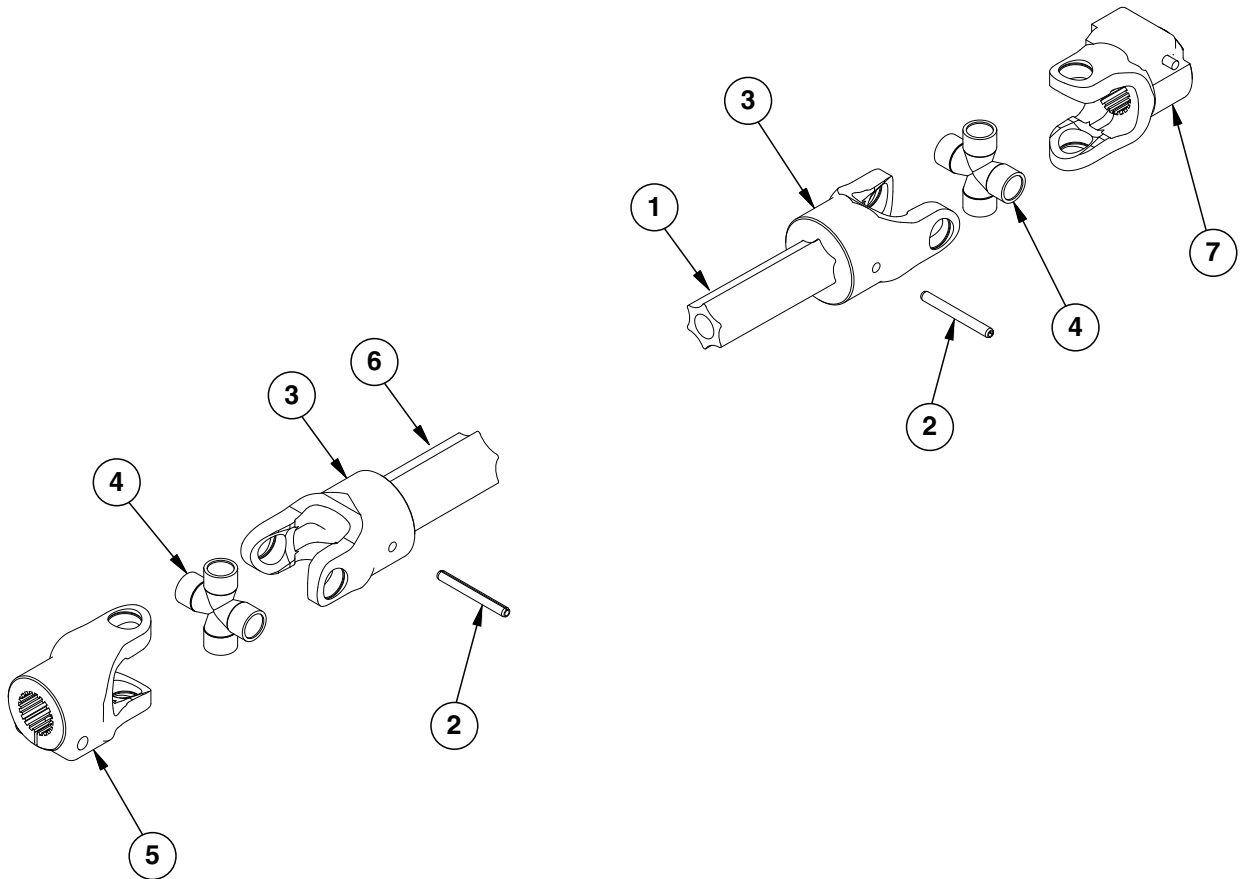
(GR1642/A12243/GR1788)



ITEM	PART NO.	QTY.	DESCRIPTION
1	GR1693	1	Housing W/Grease Fitting
	GR1661	-	Grease Fitting
2	GR1694	1	Hub
3	GR1669	2	Key
4	GR1670	2	Leaf Spring
5	GR1672	1	Retaining Ring
6	GR1695	2	Half Ring
7	GR1246	-	Quick Disconnect Kit
8	GR2045	2	Cross And Bearing Kit
9	GR1215	1	Inboard Yoke
10	GR1211	2	Spring Pin
11	GR1644	1	Profile And Sleeve W/Grease Fitting
	GR1430	-	Grease Fitting, $\frac{3}{16}$ ", Drive-In
12	GR2269	1	Guard Cone W/Screw
13	GR1220	2	Bearing Ring
14	GR2271	1	Inner Guard Tube
15	GR1222	1	Support Bearing
16	GR2270	1	Outer Guard Tube
17	GR1648	1	Guard Cone W/Screw
18	GR1645	1	Inner Profile
19	GR1212	1	Inboard Yoke
20	GR2272	1	Safety Chain
21	GR1794	1	Housing
22	GR1791	1	Hub W/Bushings
	GR1704	-	Bushing
23	GR1792	1	Spring
24	GR1699	1	Washer
25	GR1700	1	Retaining Ring
26	GR1701	1	Ring
27	GR1649	-	Lock Assembly
28	GR1793	4	Cam
29	GR2050	-	Reinforcing Collar
A	GR1640	-	PTO Half-Tractor (Items 1-15 and 19)
B	GR1789	-	PTO Half-Machine (Items 8, 10, 13, and 16-29)
C	GR1642	-	Overrunning Clutch Yoke (Items 1-7)
D	GR1788	1	Torque Limiting Clutch (Items 21-28)

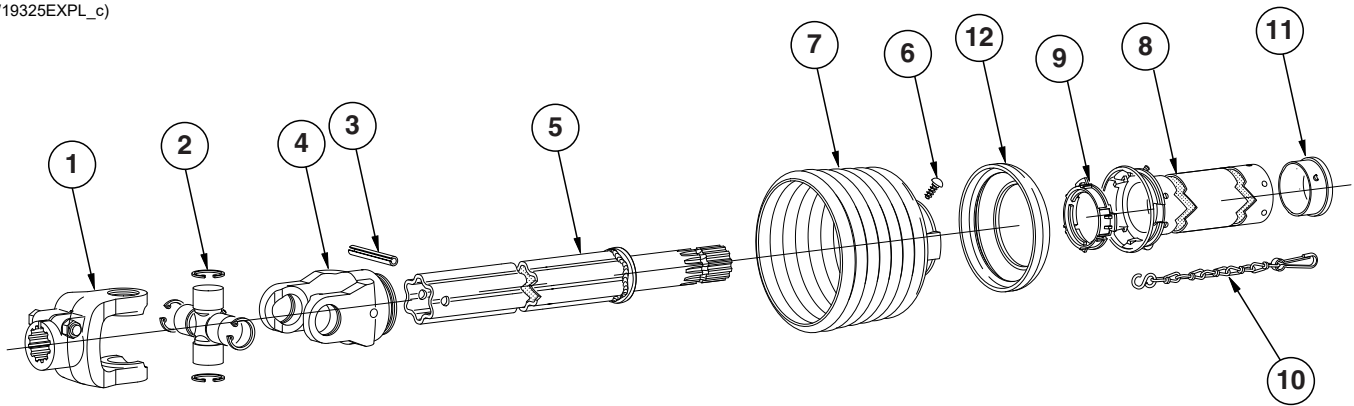
**This page left blank intentionally.**

(IP1406)

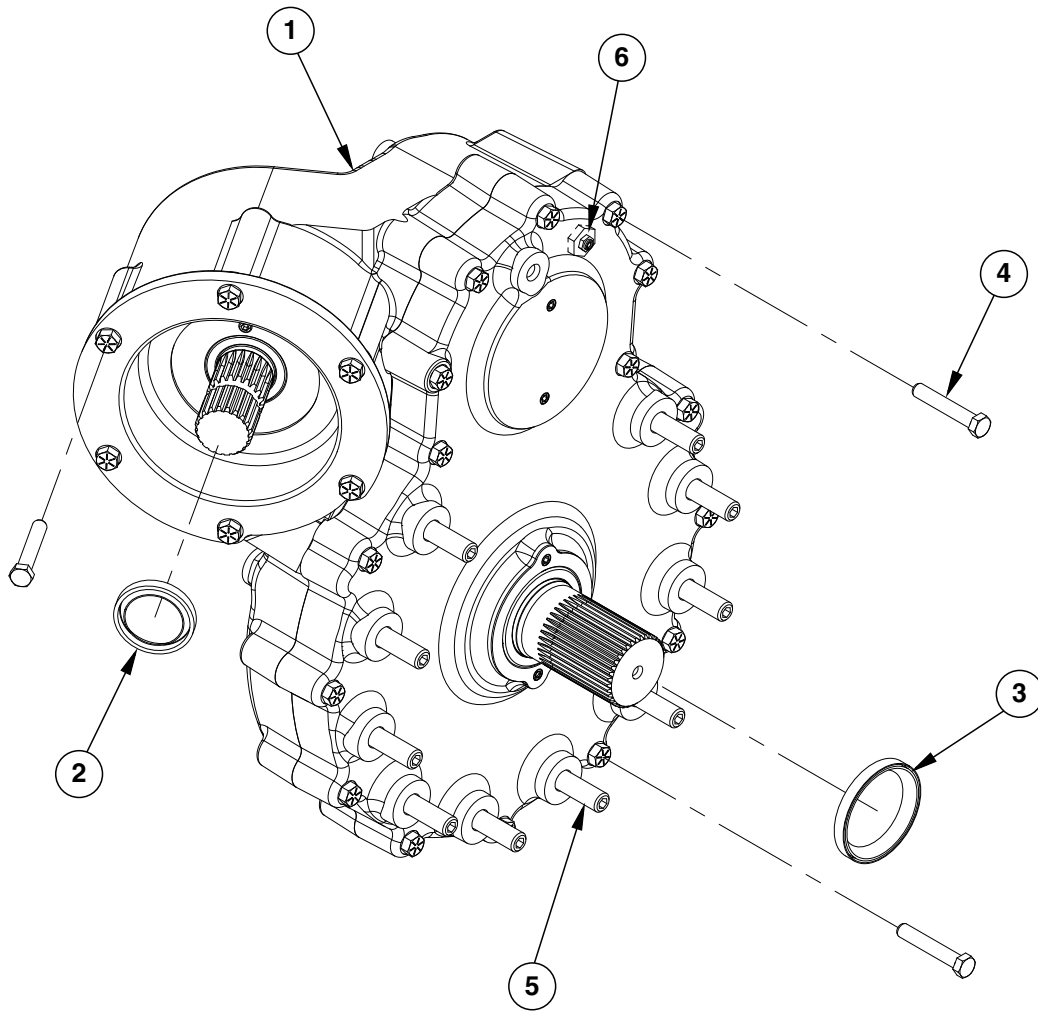


ITEM	PART NO.	QTY.	DESCRIPTION
1	GR2061	1	Inner Profile
2	GR1211	2	Spring Pin
3	GR1212	1	Inboard Yoke
4	GR2045	2	Cross And Bearing Kit
5	GD23537	1	Yoke
6	GR2062	1	Inboard Yoke Profile
7	GD24615	1	Yoke
A	GA15899	-	PTO Assembly Complete (Items 1-7)

(W19325EXPL\_c)

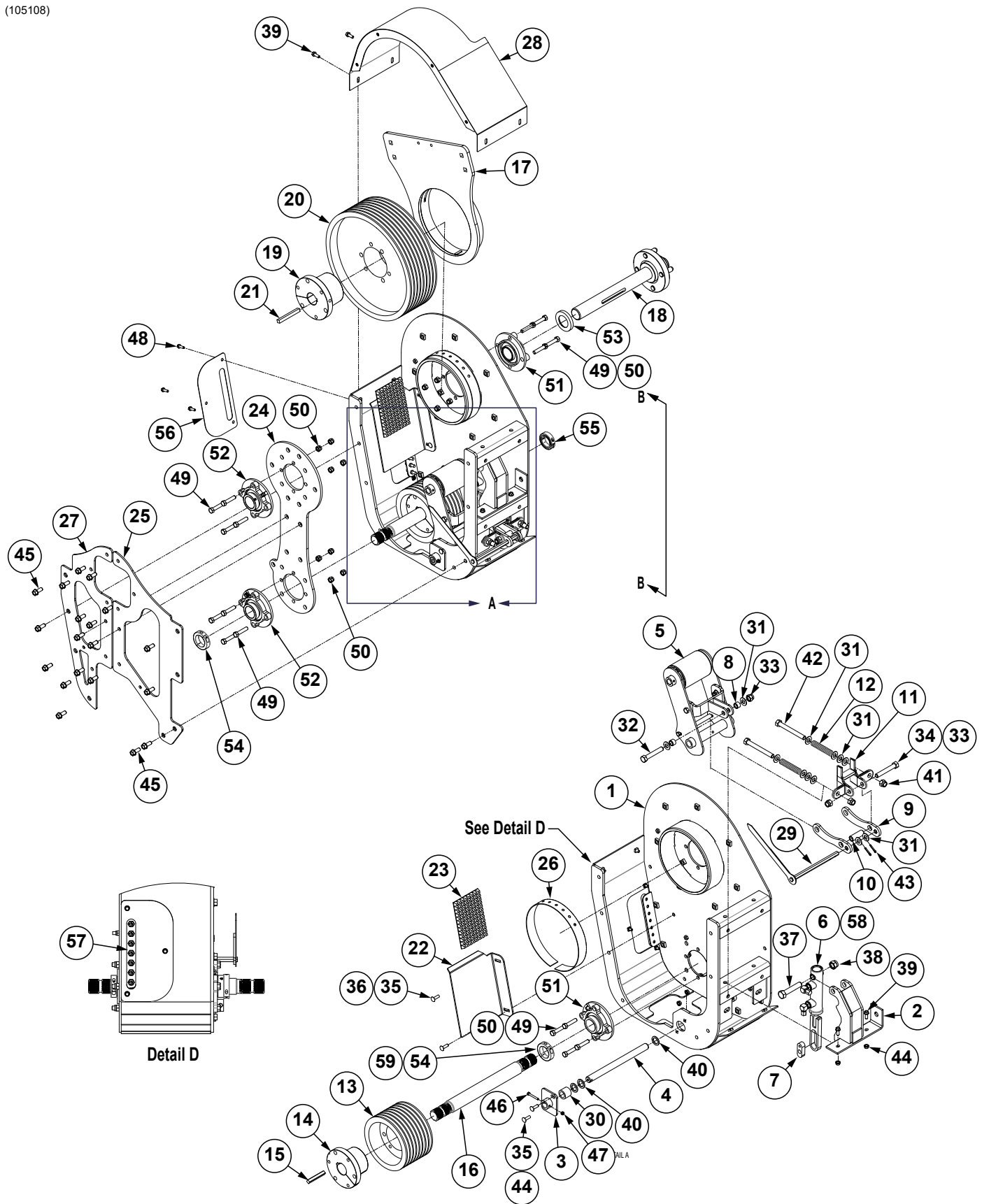


ITEM	PART NO.	QTY.	DESCRIPTION
1	GD23537	1	Yoke
2	GR2045	1	Cross And Bearing Kit
3	GR1211	1	Spring Pin
4	GR1215	1	Inboard Yoke
5	GR2063	1	Inner Profile
6	GR2049	1	Screw
7	GR1217	1	Guard Cone W/Screw
8	GR2064	1	Outer Guard
9	GR1220	1	Bearing Ring
10	GR1221	1	Safety Chain
11	GR1872	1	Support Bearing
12	GR2050	1	Reinforcing Collar
A	GA16263	-	Intermediate Drive Line Complete (Items 1-14)



ITEM	PART NO.	QTY.	DESCRIPTION
1	GA16008	1	Gearbox
2	GR2095	1	Seal
3	GR2096	1	Seal
4	GR2101	22	Hex Head Cap Screw, 7/16"-14 x 2 1/2"
5	GR2102	10	Stud, 5/8"-11 x 3 1/4"
6	GR2097	1	Vent Plug, 1/8"-27
7	GR2099	2	Plug, 1/2"-14
A	GA16008	-	Gearbox Complete

(105108)

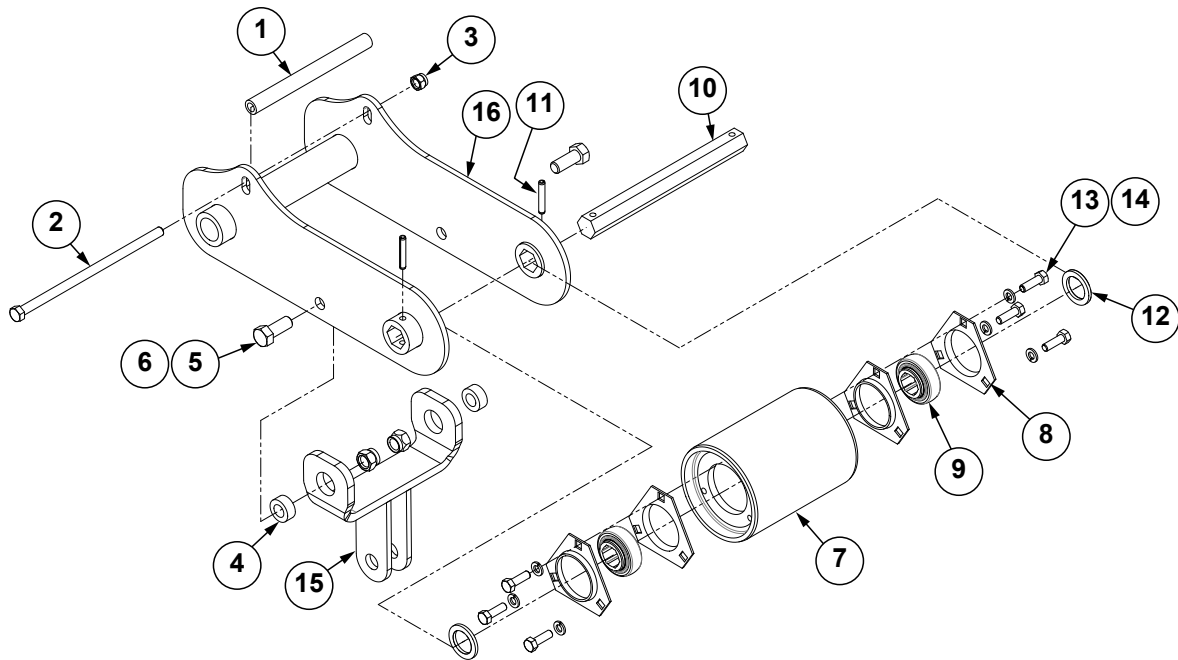


ITEM	PART NO.	QTY.	DESCRIPTION
1	G10533501	1	Auger Drive
2	GA16226	1	Cylinder Support
3	GA17092	1	Belt Alignment Bracket
4	GD23866	1	Pivot Shaft
5	G10714201	1	<a href="#">See "Idler Arm Assembly" on page P10</a>
6	GA9616	1	<a href="#">See "Horizontal Auger Drive (Idler) Cylinder" on page P116</a>
7	G10794101	1	Clevis Slide
8	GB0218	2	Bushing, 2 <sup>1</sup> / <sub>32</sub> " I.D. x 7 <sup>7</sup> / <sub>8</sub> " O.D. x 1 <sup>9</sup> / <sub>32</sub> " Long
9	GD24851	2	Indicator Link
10	GD14610	1	Bushing, 7 <sup>7</sup> / <sub>8</sub> " x 2 <sup>7</sup> / <sub>16</sub> "
11	GB0378	1	Stop Bracket
12	GD24761	2	Compression Spring
13	GD23511	1	Pulley, 9 <sup>1</sup> / <sub>4</sub> ", 8 Groove
14	GD23513	1	Bushing, 2" I.D.
	G11737	3	Hex Head Cap Screw, 9 <sup>16</sup> / <sub>16</sub> "-12 x 3 <sup>1</sup> / <sub>2</sub> ", Grade 5
15	GD13088	1	Key, 1/2" x 1/2" x 3 <sup>1</sup> / <sub>2</sub> "
16	GD24033	1	Lower Pulley Shaft
17	GA16238	1	Transfer Rotate Support
18	GA16234	1	Upper Pulley Shaft
19	GD23512	1	Bushing, 2" I.D.
	G11028	-	Hex Head Cap Screw, 5 <sup>8</sup> / <sub>8</sub> "-11 x 4 <sup>1</sup> / <sub>2</sub> "
20	GD23510	1	Pulley, 18 <sup>2</sup> / <sub>3</sub> ", 8 Groove
21	GD13677	1	Key, 1/2" x 1/2" x 4 <sup>1</sup> / <sub>2</sub> "
22	GD23580	1	Belt Slide
23	GA16233	1	V-Belt Set
24	GA16225	1	Shaft Alignment Plate
25	GA16231	1	Pulley Support
26	GD21206	1	Transfer Rotate Bearing
27	GA16230	1	Pulley Support
28	GA16235	1	Upper Cover
29	GA16243	1	Indicator
30	GD5900-29	1	Sleeve, 1 <sup>1</sup> / <sub>2</sub> " O.D x 1.015" I.D x 1 <sup>1</sup> / <sub>4</sub> "
31	G11391	14	Flat Washer, 5 <sup>8</sup> / <sub>8</sub> " SAE
32	G10743	1	Hex Head Cap Screw, 5 <sup>8</sup> / <sub>8</sub> "-11 x 3 <sup>3</sup> / <sub>4</sub> "
33	G10107	2	Lock Nut, 5 <sup>8</sup> / <sub>8</sub> "-11
34	G10036	1	Hex Head Cap Screw, 5 <sup>8</sup> / <sub>8</sub> "-11 x 4"
35	G10599	4	Carriage Bolt, 3 <sup>8</sup> / <sub>8</sub> "-16 x 1 <sup>1</sup> / <sub>4</sub> "
36	G10108	2	Lock Nut, 3 <sup>8</sup> / <sub>8</sub> "-16
37	G10085	1	Hex Head Cap Screw, 3 <sup>4</sup> / <sub>4</sub> "-10 x 3 <sup>3</sup> / <sub>4</sub> "
38	G10112	1	Lock Nut, 3 <sup>4</sup> / <sub>4</sub> "-10
39	G11124	4	Hex Serrated Flange Cap Screw, 3 <sup>8</sup> / <sub>8</sub> "-16 x 1"
40	G10233	3	Machine Bushing, 1 <sup>1</sup> / <sub>2</sub> " x 1 <sup>1</sup> / <sub>32</sub> ", 10 Gauge (.1345")
41	G10730	2	Lock Nut W/Nylon Insert, 5 <sup>8</sup> / <sub>8</sub> "-11
42	G10011	2	Hex Head Cap Screw, 5 <sup>8</sup> / <sub>8</sub> "-11 x 5 <sup>1</sup> / <sub>2</sub> "
43	G10453	2	Cotter Pin, 3 <sup>16</sup> / <sub>16</sub> " x 1"
44	G10622	4	Serrated Flange Nut, 3 <sup>8</sup> / <sub>8</sub> "-16
45	G11271	19	Hex Socket Flange Cap Screw, 1 <sup>2</sup> / <sub>2</sub> "-13 x 1 <sup>1</sup> / <sub>4</sub> "
46	G10638	1	Hex Head Cap Screw, 1 <sup>4</sup> / <sub>4</sub> "-20 x 2"
47	G10110	1	Lock Nut, 1 <sup>4</sup> / <sub>4</sub> "-20, Grade B
48	G11480	3	Hex Socket Flange Cap Screw, 5 <sup>16</sup> / <sub>16</sub> "-18 x 1"
49	G10581	16	Hex Head Cap Screw, 1 <sup>2</sup> / <sub>2</sub> "-13 x 2 <sup>1</sup> / <sub>4</sub> "
50	G10111	16	Lock Nut, 1 <sup>2</sup> / <sub>2</sub> "-13

---

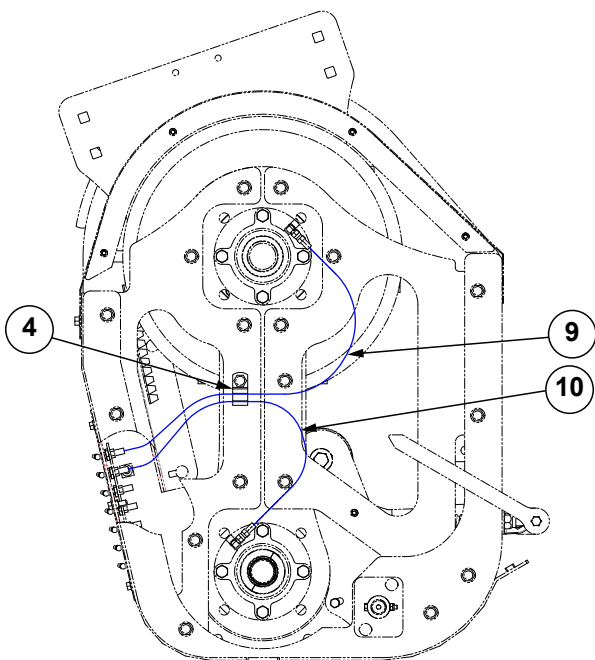
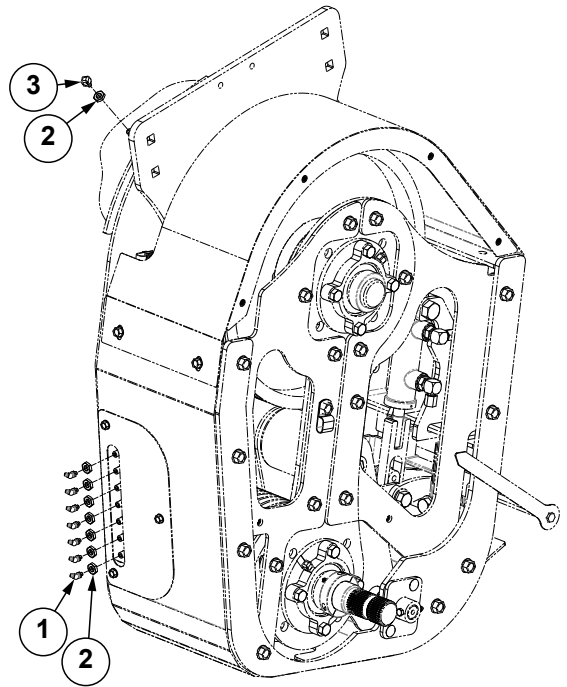
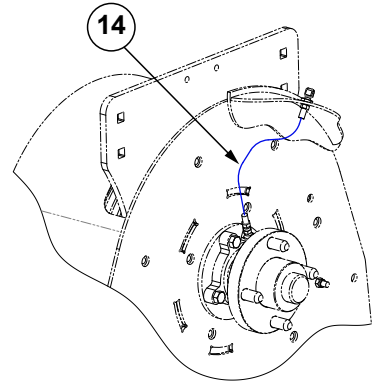
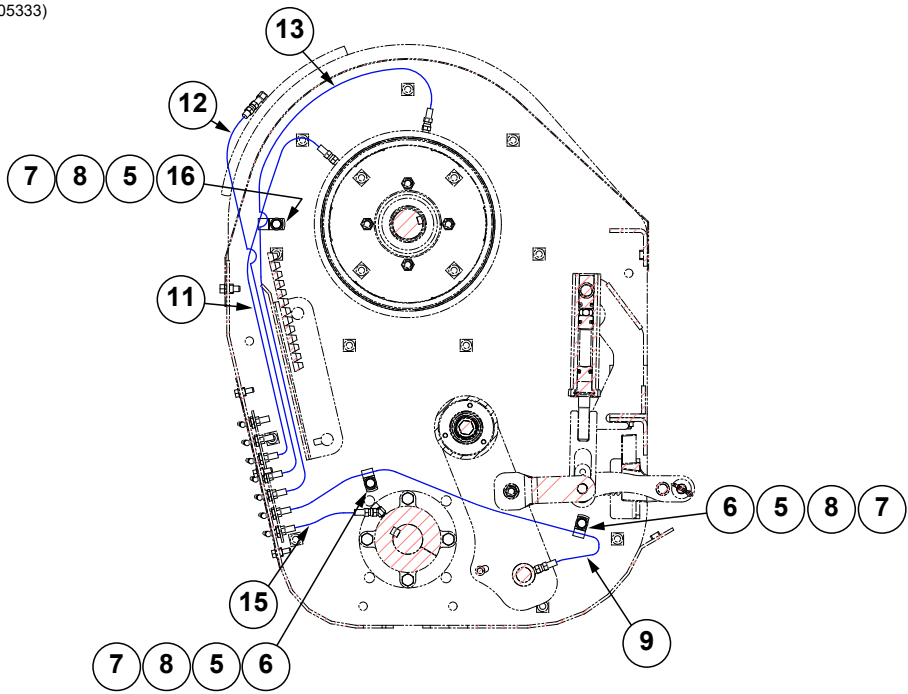
ITEM	PART NO.	QTY.	DESCRIPTION
51	GA22936 G11725	1 -	2" 4 Bolt Flange Bearing W/45° Grease Zerk Grease Fitting, 45°, 1/4"-28
52	G10989401 G10643	2 1	2" 4 Bolt Flange Bearing W/90° Grease Zerk Grease Fitting, 45°, 1/4"-28
53	GD34128	1	Spacer Ring
54	GD25306	2	Clamp Collar, 2"
55	GA23098	1	Clamp Collar, 1 3/4"
56	G10531201	1	Site Shield Plate
57	G10533301	1	Auger Drive Grease Hose Assembly
58	*A1132	2	Hose Assembly, 1/4" x 44" (06F - 06F)

(107142)



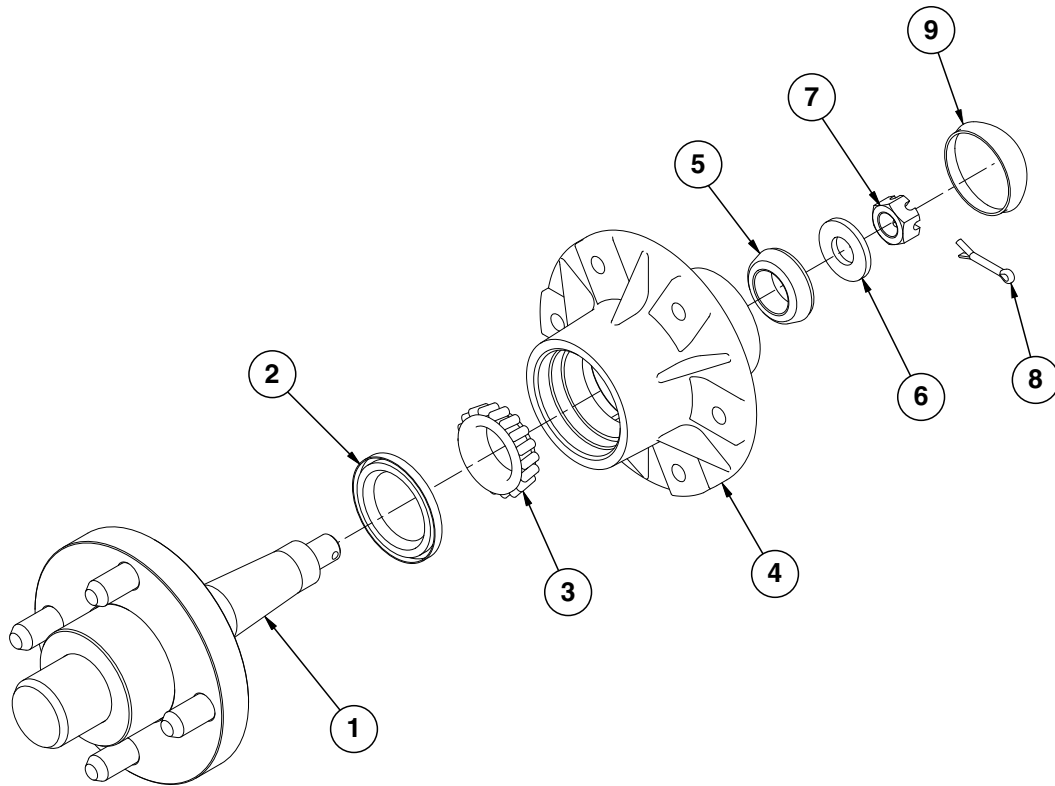
ITEM	PART NO.	QTY.	DESCRIPTION
1	GD2971-13	1	Sleeve, 6 9/16" Long
2	G10686	1	Hex Head Cap Screw, 3/8"-16 x 8"
3	G10108	1	Lock Nut, 3/8"-16
4	GD7889	2	Bushing, 1" O.D. x 9/16" I.D. x 7/16" Long
5	G10037	2	Hex Head Cap Screw, 1/2"-13 X 1 1/4"
6	G10111	2	Lock Nut, 1/2"-13
7	GB0338	1	Idler
8	G3400-01	4	Flangette
9	GA9357	2	Bearing, 7/8" Hex, Single Lip
10	GD13763	1	Hex Shaft, 7/8" x 8 5/8" (2 Holes)
11	G10602	2	Spring Pin, 1/4" x 1 1/2"
12	G10233	2	Machine Bushing, 1 1/2" x 1/2", 10 Gauge (.1345")
13	G10019	6	Hex Head Cap Screw, 5/16"-18 x 1"
14	G10232	6	Lock Washer, 5/16"
15	G10714101	1	Inner Link
16	GA16228	1	Idler Arm
A	G10714201	1	Idler Arm Assembly (Items 1-16)

(105333)



ITEM	PART NO.	QTY.	DESCRIPTION
1	G10643	7	Grease Fitting, 45°, ¼"-28
2	G11094	8	Lock Nut, ½" NPT, Brass
3	G11558	1	Adapter, ¼"-28 x ½ NPTF
4	GD36998	1	Double Tube Insulated Clamp
5	G11387	3	Flat Washer, ¾" SAE
6	GD6291	2	Insulated Clamp, ¾"
7	G10328	3	Hex Head Cap Screw, ¾"-16 x ½"
8	G10229	3	Lock Washer, ¾"
9	*A27240-35	2	Grease Hose Assembly, 35" (½ NPTM x ½ NPSM Bulkhead)
10	*A27240-31	1	Grease Hose Assembly, 31" (½ NPTM x ½ NPSM Bulkhead)
11	*A27240-29	1	Grease Hose Assembly, 29" (½ NPTM x ½ NPSM Bulkhead)
12	*A27240-37	1	Grease Hose Assembly, 37" (½ NPTM x ½ NPSM Bulkhead)
13	*A27240-40	1	Grease Hose Assembly, 40" (½ NPTM x ½ NPSM Bulkhead)
14	*A18511	1	Grease Hose W/Zerk, ¾" x 12"
15	*A18512	1	Grease Hose W/Zerk, ¾" x 8"
16	GD13348	1	Insulated Clamp, 1½"
<b>*Hydraulic hose is not stocked by Kinze Repair Parts.</b>			

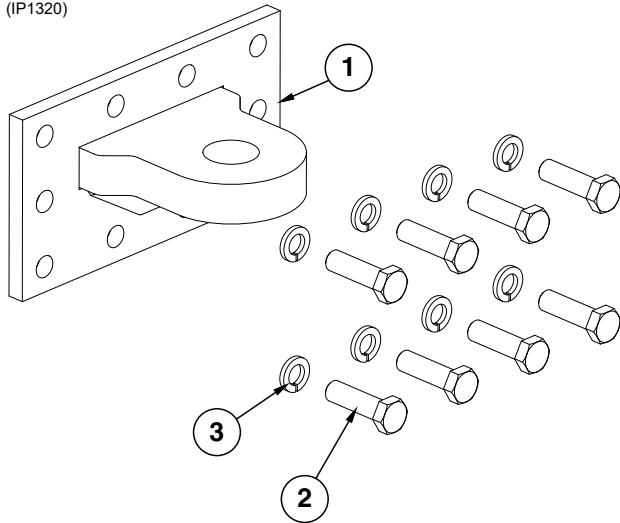
(IP1353)



ITEM	PART NO.	QTY.	DESCRIPTION
1	GA15990	1	Rear Horizontal Auger Spindle
2	GA0239	1	Seal
3	GA0238	1	Bearing
4	GA9316 GR0189	1 -	Hub W/Cups Cup
5	GA0237	1	Bearing
6	G10224	1	Special Washer, 3/4", 7 Gauge (.1793")
7	G11897	1	Hex Nut, 3/4"-16, Grade 5
8	G10459	1	Cotter Pin, 3/16" x 1 1/2"
9	G2800-01	1	Cap
A	GA15991	-	Horizontal Auger Drive Hub, Rear (Items 1-9)

**This page left blank intentionally.**

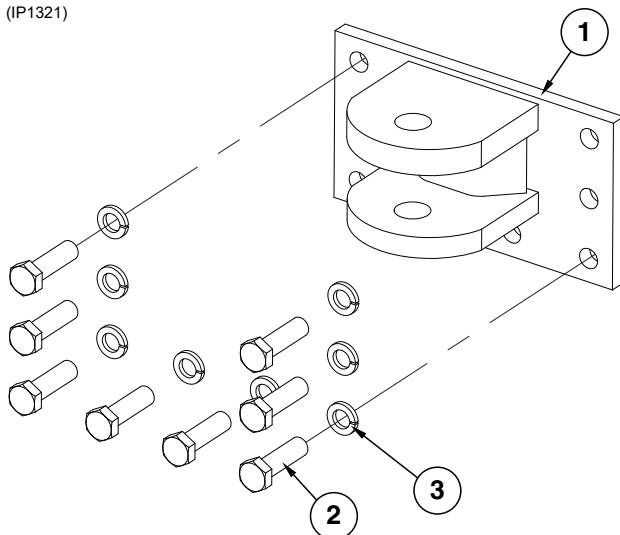
(IP1320)



Single Clevis Hitch

ITEM	PART NO.	QTY.	DESCRIPTION
1	GA7561	1	Hitch Cap, Single Clevis
2	G10441	8	Hex Head Cap Screw, 7/8"-9 x 3", Grade 8
3	G10330	8	Lock Washer, 7/8"

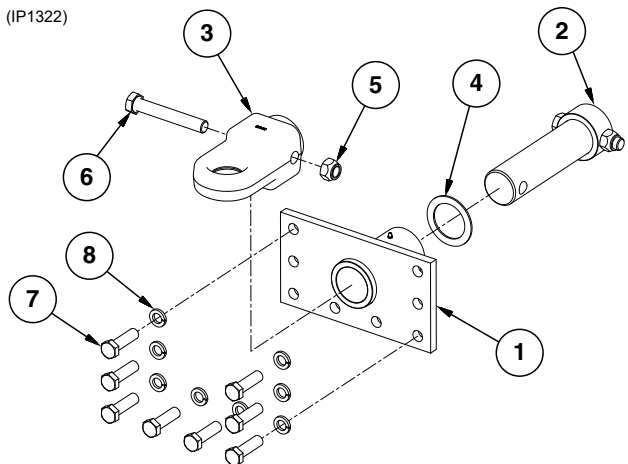
(IP1321)



Double Clevis Hitch

ITEM	PART NO.	QTY.	DESCRIPTION
1	GA4214	1	Hitch Cap, Double Clevis
2	G10441	8	Hex Head Cap Screw, 7/8"-9 x 3", Grade 8
3	G10330	8	Lock Washer, 7/8"

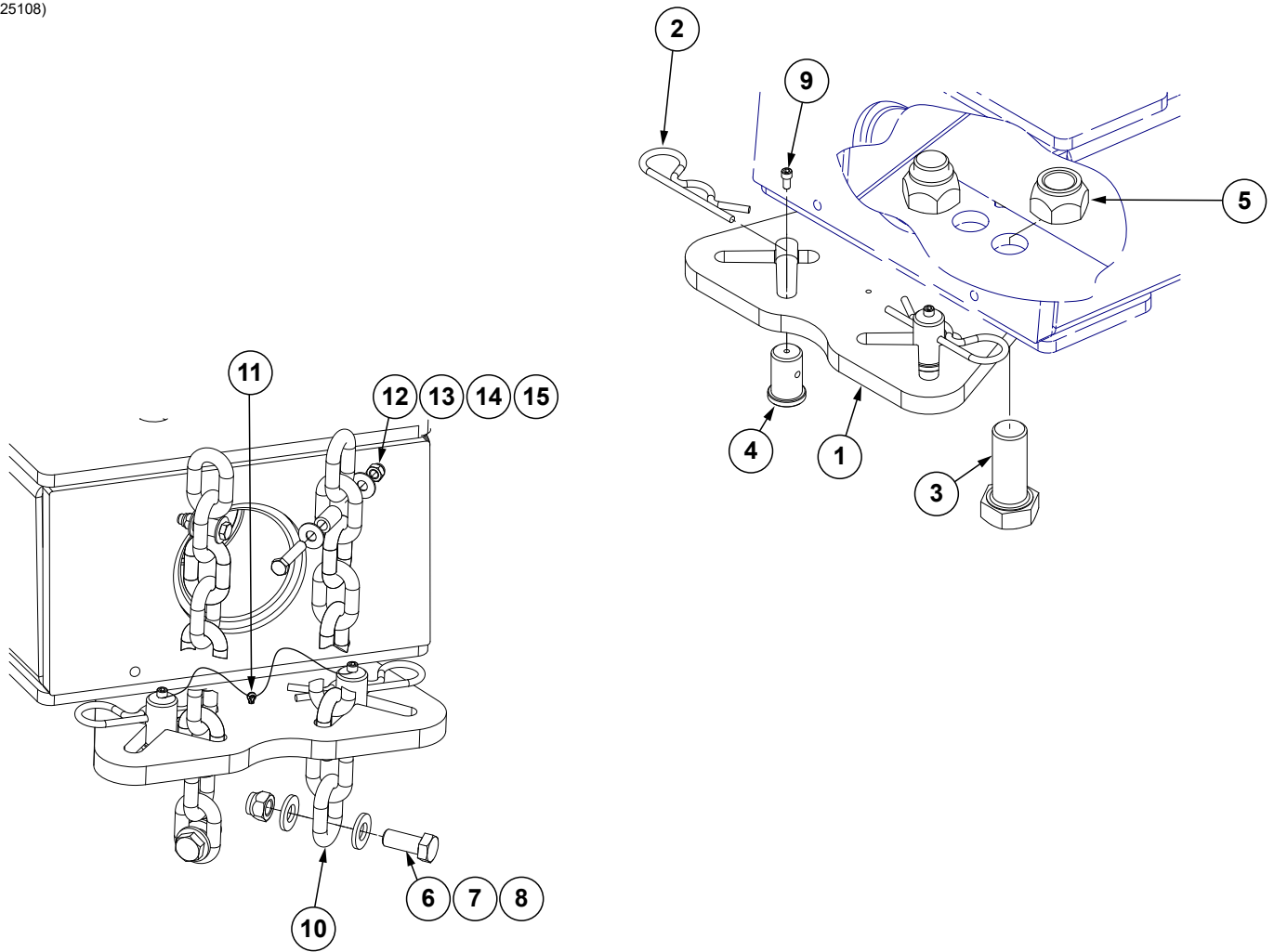
(IP1322)



Single Clevis Swivel Hitch

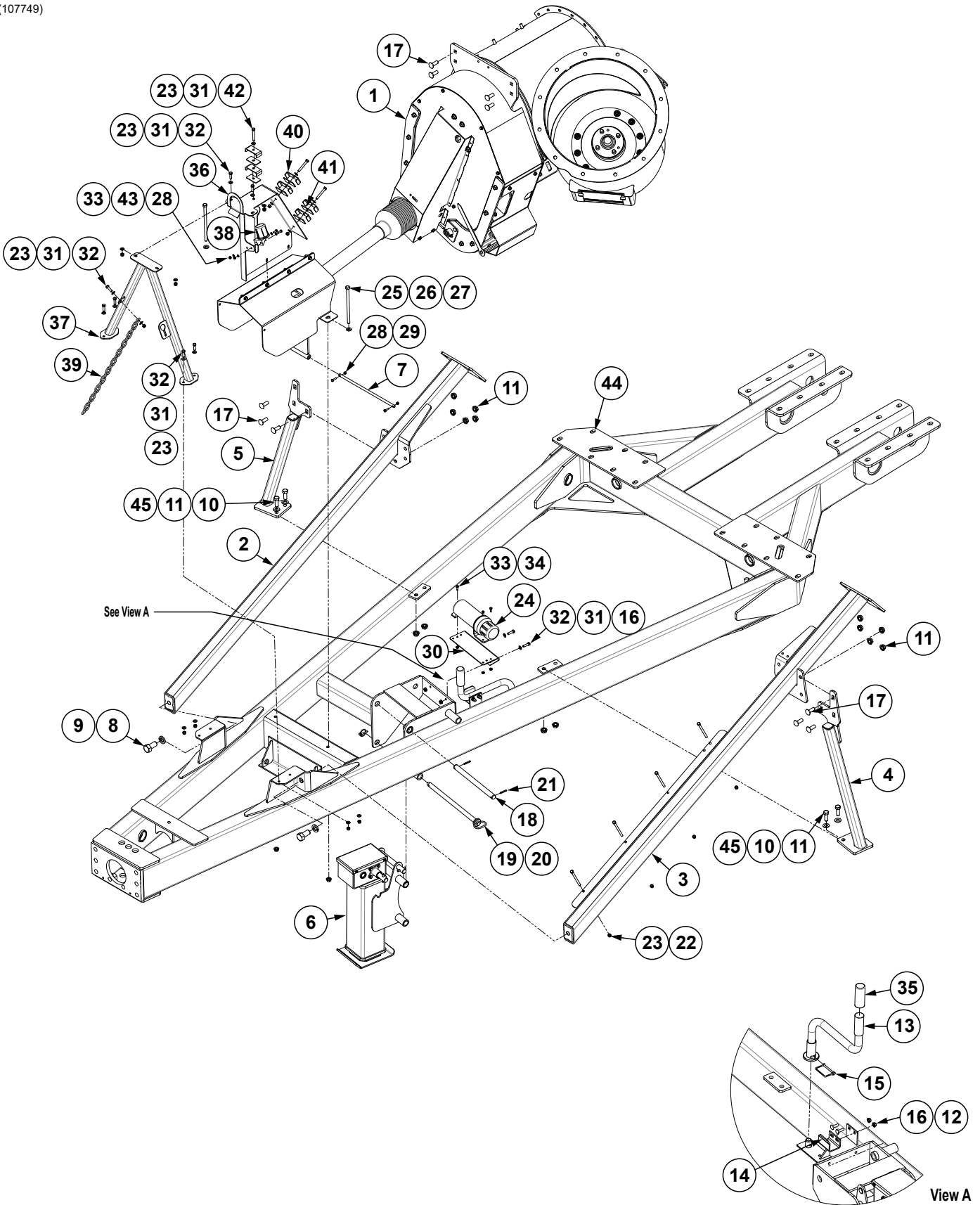
ITEM	PART NO.	QTY.	DESCRIPTION
1	GA17049	1	Swivel Hitch Plate
2	GA19446	1	Pin Assembly
3	G10834401	1	Ball Hitch Assembly
	G10716801	-	Bushing, 2" I.D. (Included W/G10834401)
	G10834301	-	CAT 5 Ball, Spindle 3
	G10716701	-	Bushing, 2.75" I.D. (Included W/G10834301)
	G10834501	-	CAT 4 Ball, Spindle 3
	G10716901	-	Bushing, 2" I.D. (Included W/G10834501)
4	G11096	1	Machine Bushing, 3", 10 Gauge (.1345")
5	G10647	1	Hex Nut, 1"-8, Grade 8
6	G10488101	1	Hex Head Cap Screw, 1"-8 x 7", Grade 8
7	G10441	8	Hex Head Cap Screw, 7/8"-9 x 3", Grade 8
8	G10330	8	Lock Washer, 7/8"

(A25108)



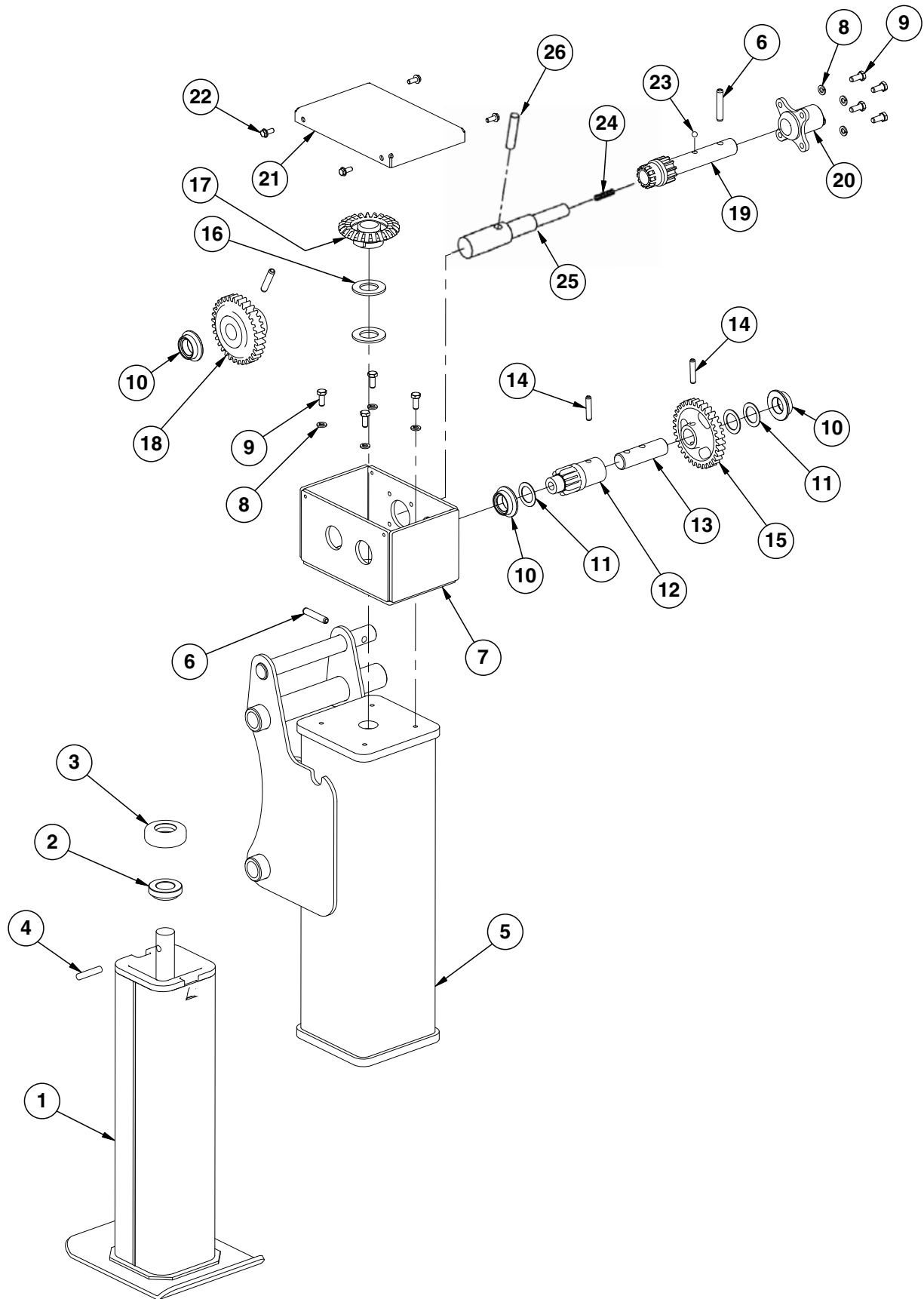
ITEM	PART NO.	QTY.	DESCRIPTION
1	GD35128	1	1/2" Double Chain Latch
2	G10671	2	Hairpin Cotter, 3/16" x 3 1/4"
3	G11058	2	Hex Head Cap Screw, 1 1/4"-7 x 3"
4	GD35129	2	Chain Latch Pin
5	G10157	2	Lock Nut, 1 1/4"-7
6	G10007	2	Hex Head Cap Screw, 5/8"-11 x 1 1/2"
7	G11391	4	Flat Washer, 5/8" SAE
8	G10107	2	Lock Nut, 5/8"-11
9	G11874	2	Hex Socket Head Cap Screw, 1/4"-20 x 1/2"
10	G3324-01	2	Safety Chain, 13MM Grade 70, 97 1/2"
11	GD35201	1	Looped Tether W/ Tabs and Cotter Pin
12	G10108	2	Lock Nut, 3/8"-16
13	GD8893-07	2	Sleeve, 1" Long
14	G10210	4	Washer, 3/8" USS
15	G10047	2	Hex Head Cap Screw, 3/8"-16 x 1 3/4"
A	G9940X	-	Double Safety Chain Package

(107749)



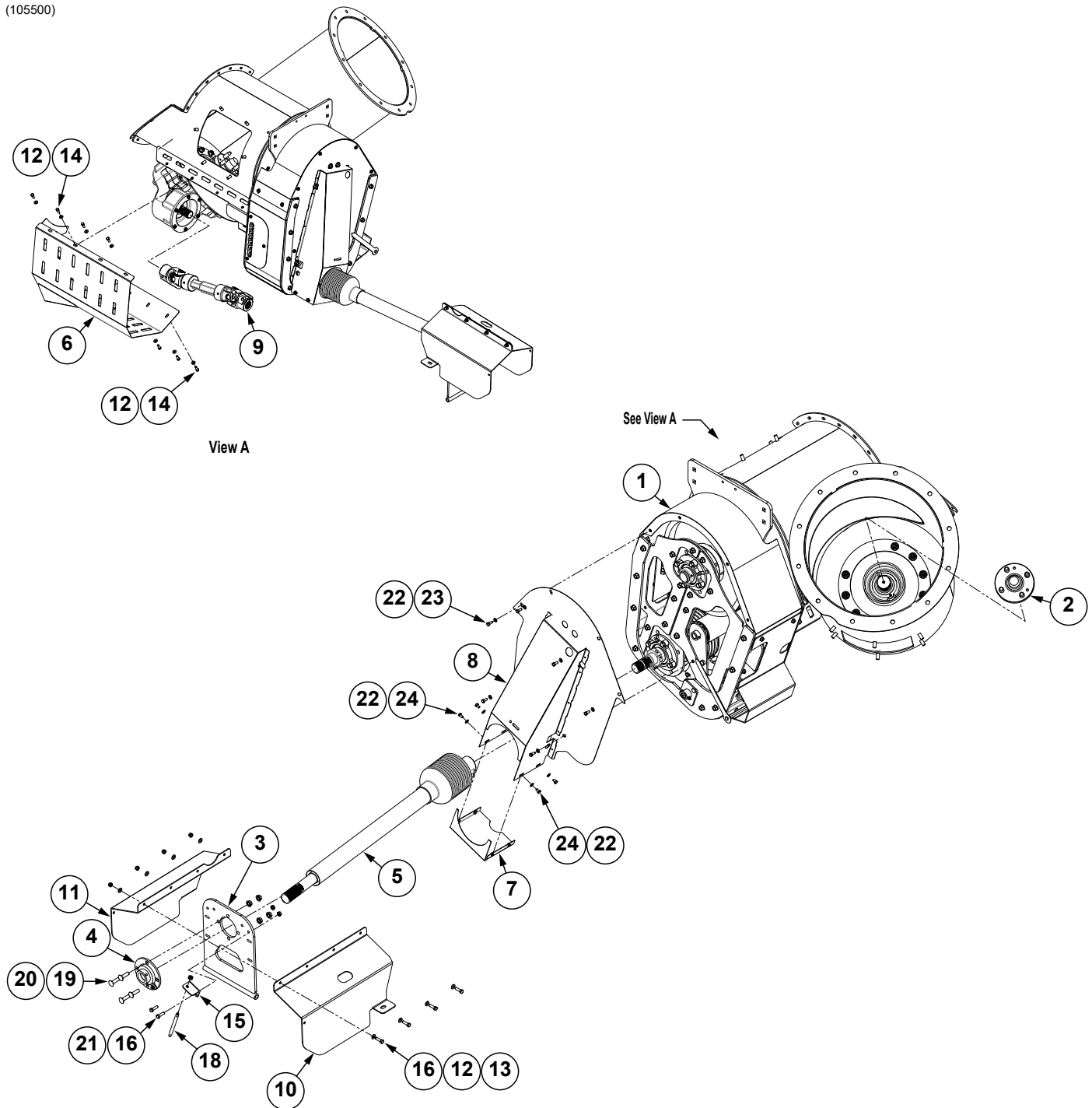
ITEM	PART NO.	QTY.	DESCRIPTION
1	---	---	<a href="#">See "Grain Transfer" on page P21</a>
2	GA16242	1	Front Support
3	GA16241	1	Front Support
4	GA16239	1	Grain Transfer Support
5	GA16240	1	Grain Transfer Support
6	---	1	<a href="#">See "Jack Assembly" on page P19</a>
7	GD23894	1	Front Bearing Mount Pin
8	G11223	2	Hex Head Cap Screw, 1"-8 x 2"
9	G11394	2	Flat Washer, 1" SAE
10	G10005	4	Hex Head Cap Screw, 5/8"-11 x 1 3/4"
11	G11415	14	Serrated Flange Nut, 5/8"-11
12	G10599	2	Carriage Bolt, 3/8"-16 x 1 1/4"
13	GA17046	1	Jack Handle
14	GD13755	1	Handle Holder
15	GD10705	1	Locking Clip Pin, 1/4" x 2 1/2"
16	G11091	4	Serrated Flange Nut, 3/8"-16
17	G11084	10	Carriage Bolt, 5/8"-11 x 1 3/4"
18	GD24127	1	Jack Pin
19	GA17645	1	Cart Jack Pin
20	GD2558	1	Lynch Pin, 1/4"
21	G10602	2	Spring Pin, 1/4" x 1 1/2"
22	G10172	4	Hex Head Cap Screw, 3/8"-16 x 5"
23	G10108	14	Lock Nut, 3/8"-16
24	GA15422	1	Operator's Manual Canister
25	G10909	2	Hex Head Cap Screw, 1/2"-13 x 9"
26	G11389	2	Flat Washer, 1/2" Plated SAE
27	G10071	2	Serrated Flange Nut, 1/2"-13
28	G10110	4	Lock Nut, 1/4"-20, Grade B
29	G10064	2	Hex Head Cap Screw, 1/4"-20 x 1"
30	GD29638	1	Canister Mount Bracket
31	G11387	22	Flat Washer, 3/8" SAE
32	G10004	9	Hex Head Cap Screw, 3/8"-16 x 1 1/4"
33	G10023	5	Hex Head Cap Screw, 1/4"-20 x 3/4"
34	G10621	3	Serrated Flange Nut, 1/4"-20
35	G11012	1	Black Protective Cover, 1 1/2" x 4"
36	G10494601	1	Hose Guide
37	G10526001	1	Hose Stand Brace
38	GD33707	1	Plug Protector
39	G10555101	1	PTO Retaining Chain
40	G10534201	6	Hose Clamp
41	G10534101	6	Hose Clamp Pad
42	G10325	3	Hex Head Cap Screw, 3/8"-16 x 2 3/4"
43	G11328	4	Washer, 1/4"
44	G10525801	1	Cart Hitch, 1421 and 1521
	G10561201	-	Cart Hitch, 1321
	G10561301	-	Cart Hitch, 1721
45	G11391	4	Flat Washer, 5/8" SAE

(IP1335)



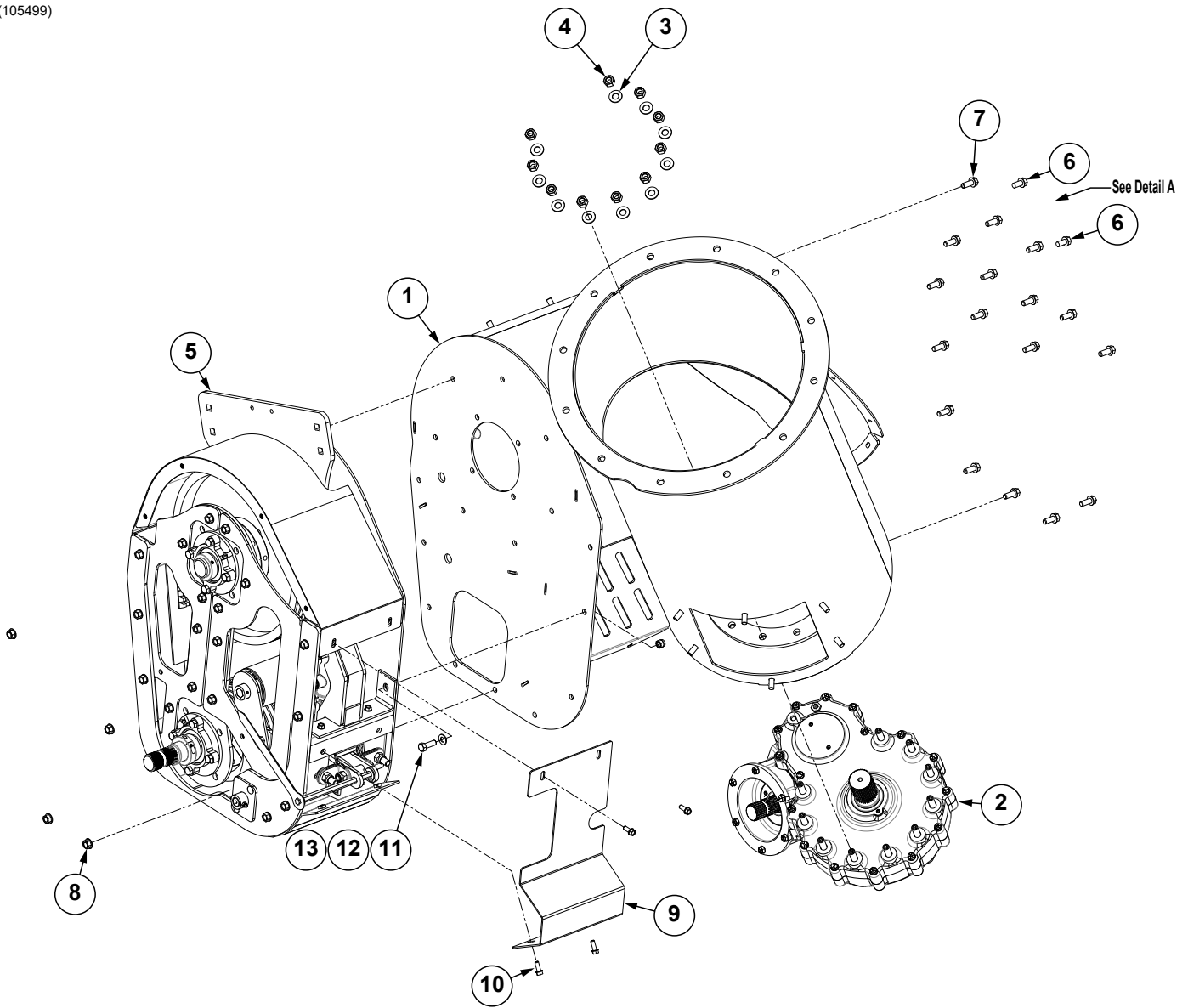
ITEM	PART NO.	QTY.	DESCRIPTION
1	GA17051	1	Lower Leg
2	GD13598	1	Collar
3	GA9665	1	Thrust Bearing
4	G10840	1	Dowel Pin, 3/8" x 1 3/4"
5	GA17052	1	Top Leg
6	G10610	2	Spring Pin, 3/8" x 2
7	GA17053	1	Gearbox
8	G10232	8	Lock Washer, 5/16"
9	G10043	8	Hex Head Cap Screw, 5/16"-18 x 3/4"
10	GD13604	3	Bushing
11	G11032	3	Bushing, 1 1/2" O.D. x 1.015 I.D.
12	GD13605	1	Output Spur Gear
13	GD13608	1	Output Shaft
14	G11031	2	Spring Pin, 5/16" x 1 1/2"
15	GD13606	1	Input Spur Gear
16	GD13600	2	Thrust Washer
17	GD13601	1	Bevel Gear
18	GD13602	1	Output Cluster Gear
19	GD13698	1	Input Shaft
20	GA14992	1	Shifter Housing
21	GD25067	1	Cap
22	G10960	4	Hex Non-Serrated Flange Cap Screw, 1/4"-20 x 5/8", Grade 5
23	GD13609	1	Detent Ball
24	GD13610	1	Detent Spring
25	GD13603	1	Output Shaft
26	G11030	1	Spring Pin, 3/8" x 1 3/4"
A	GA17044	-	Jack Complete (Items 1-26)

(105500)



ITEM	PART NO.	QTY.	DESCRIPTION
1	---	1	<a href="#">See "Front Lower Housing" on page P23</a>
2	GA14568	1	Auger Drive Lug
3	GA16215	1	PTO Bearing Mount
4	GA19119 G11558	1 -	Flange Bearing W/Fitting Adapter, 1/4"-28 x 1/8" NPTF
5	GA16263	1	<a href="#">See "Intermediate Drive Line" on page P5.</a>
6	GA16247	1	Lower Shield
7	GA16669	1	Lower Knuckle Cover
8	GA21315	1	Front Cover
9	GA15899	1	<a href="#">See "PTO Assembly - 1 3/4"-20 Spline Yoke, Grain Transfer" on page P4</a>
10	G10527001	1	PTO Cover Plate
11	GD24516	1	PTO Cover Plate
12	G11387	15	Flat Washer, 3/8" SAE
13	G10108	4	Lock Nut, 3/8"-16
14	G10001	7	Hex Head Cap Screw, 3/8"-16 x 1"
15	GD26752	1	Grease Zerk Mount Plate
16	G10004	6	Hex Head Cap Screw, 3/8"-16 x 1 1/4"
17	GA18513	1	Grease Hose W/Zerk, 3/16" x 6"
18	G11094	1	Lock Nut, 1/8" NPT, Brass
19	G11162	4	Carriage Bolt, 1/2"-13 x 1 3/4"
20	G10071	4	Serrated Flange Nut, 1/2"-13
21	G11091	2	Serrated Flange Nut, 3/8"-16
22	G11386	10	Flat Washer, 5/16" SAE
23	G10043	6	Hex Head Cap Screw, 5/16"-18 x 3/4"
24	G10054	4	Hex Head Cap Screw, 5/16"-18 x 3/4"

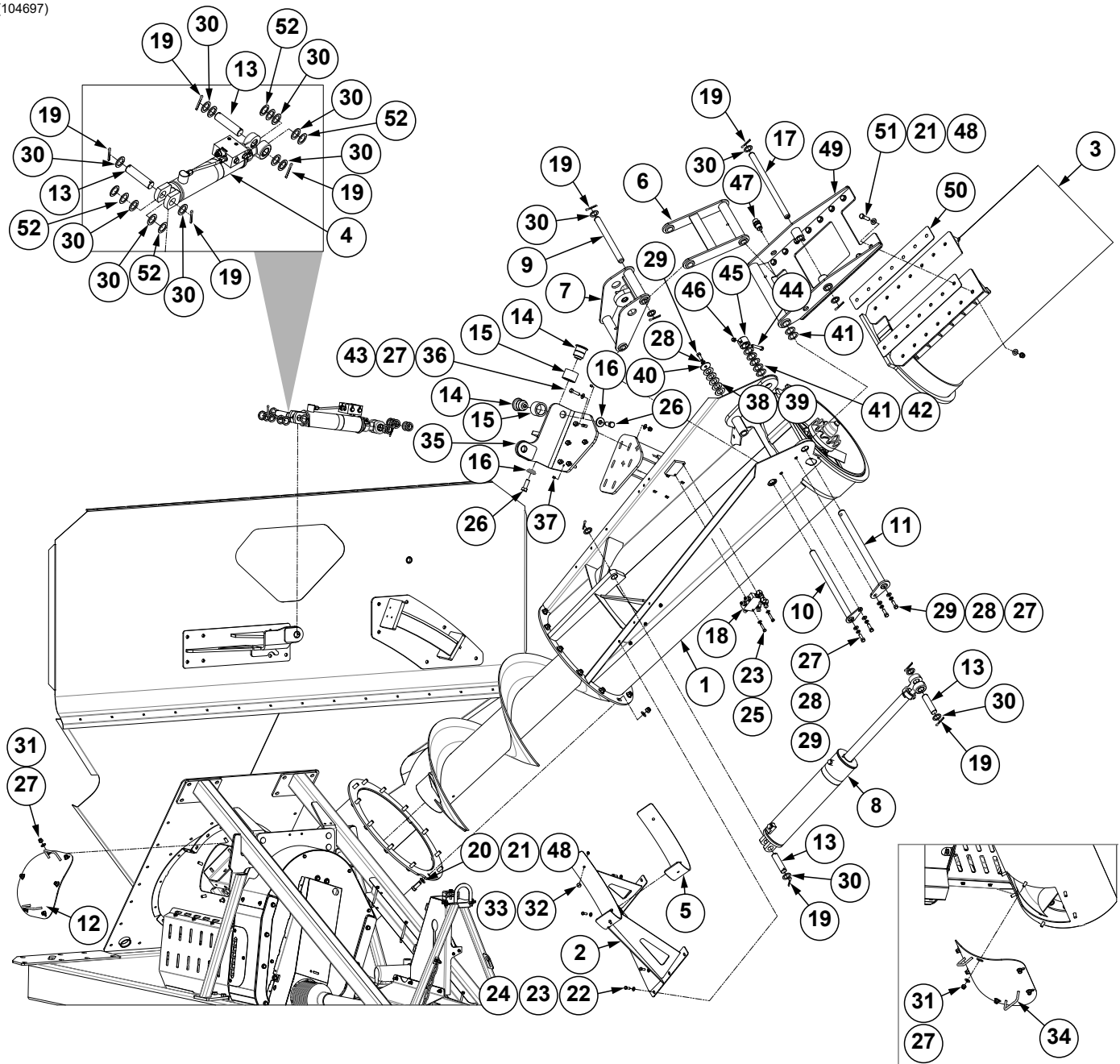
(105499)



ITEM	PART NO.	QTY.	DESCRIPTION
1	GA25119	1	Outer Grain Transfer
2	GA16008	1	<a href="#">See "Gearbox" on page P6</a>
3	G11391	10	Flat Washer, 5/8" SAE
4	G11490	10	Hex Nut, 5/8"-11, Grade 8
5	---	---	<a href="#">See "V-Belt Idler Assembly" on page P9.</a>
6	G11413	2	Hex Socket Flange Cap Screw, 1/2"-13 x 1", Grade 5
7	G11271	17	Hex Socket Flange Cap Screw, 1/2"-13 x 1 1/4"
8	G10071	4	Serrated Flange Nut, 1/2"-13
9	GD23890	1	Idler Sheild
10	G11124	4	Hex Serrated Flange Cap Screw, 3/8"-16 x 1"
11	G10017	1	Hex Head Cap Screw, 1/2"-13 x 1 1/2"
12	G11389	1	Flat Washer, 1/2" Plated SAE
13	G10111	1	Lock Nut, 1/2"-13

**This page left blank intentionally.**

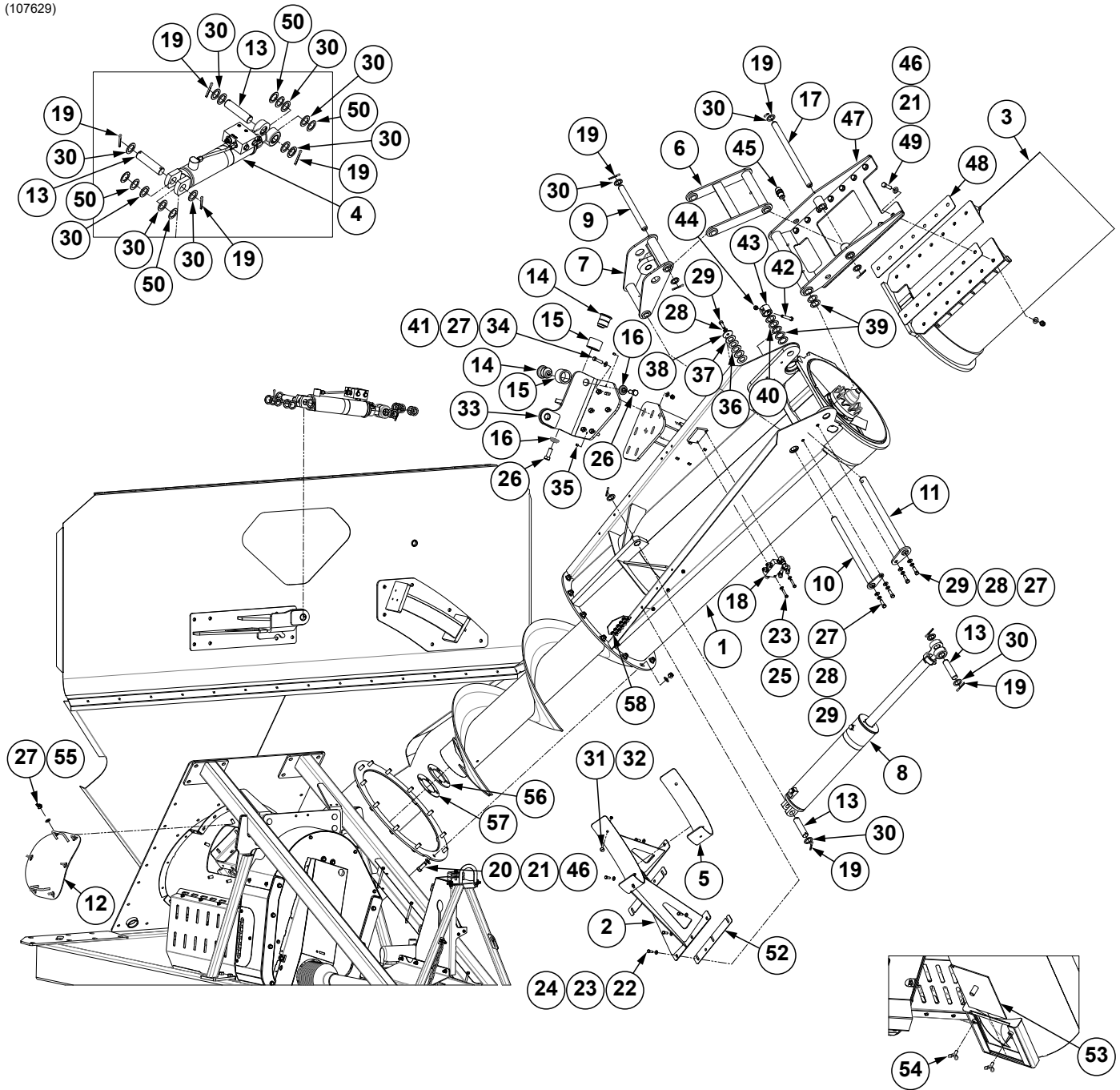
(104697)



ITEM	PART NO.	QTY.	DESCRIPTION
1	---	1	<a href="#">See "Lower Vertical Auger Sub Assembly" on page P33</a>
2	GA16023	1	Auger Transport Mount
3	---	1	<a href="#">See "Upper Vertical Auger Assembly" on page P31</a>
4	GA16134	1	<a href="#">See "Auger Rotate Cylinder" on page P113</a>
5	GD22585	1	Auger Transport Pad
6	GA9257 G10640	1	Upper Link W/Grease Fitting, 11 <sup>7</sup> / <sub>8</sub> " x 15 <sup>7</sup> / <sub>8</sub> " Grease Fitting, 1/4"-28
7	GA9256 G10640	1	Lower Link W/Grease Fittings And Spring Bushing, 9 <sup>1</sup> / <sub>2</sub> " x 17 <sup>3</sup> / <sub>4</sub> " Grease Fitting, 1/4"-28
8	GA20808	1	<a href="#">See "Vertical Auger Cylinder" on page P115</a>

ITEM	PART NO.	QTY.	DESCRIPTION
9	GD13736	1	Pin, 1¼" x 13⅝"
10	GA16080	1	Auger Pin
11	GA18028	1	Auger Pivot Pin
12	GA16024	1	Grain Transfer Cover
13	GD6136	4	Pin, 1¼" x 5"
14	GA6497 G10640	2	Cam Follower W/Grease Fitting Grease Fitting, ¼"-28
15	GD10532	2	Sleeve
16	GB0409	2	Spring Washer
17	GD23211	1	Upper Link Pin
18	---	1	<a href="#">See "Counterbalance Valve Block" on page P117</a>
19	G10460	12	Cotter Pin, ¼" x 2"
20	G10005	12	Hex Head Cap Screw, ⅝"-11 x 1¾"
21	G11391	52	Flat Washer, ⅝" SAE
22	G10001	6	Hex Head Cap Screw, ⅜"-16 x 1"
23	G11387	8	Flat Washer, ⅜" SAE
24	G11091	6	Serrated Flange Nut, ⅜"-16
25	G10047	2	Hex Head Cap Screw, ⅜"-16 x 1¾"
26	G10026	2	Hex Head Cap Screw, ¼"-10 x 2"
27	G11389	28	Flat Washer, ½" Plated SAE
28	G10228	5	Lock Washer, ½"
29	G10017	5	Hex Head Cap Screw, ½"-13 x 1½"
30	G10159	18	Washer, 1⅞", 10 Gauge (.1345")
31	G10974	12	Lock Nut W/Nylon Insert, ½"-13
32	G11272	3	Serrated Flange Head Elevator Bolt, ⅝"-18 x 1¼"
33	G10109	3	Lock Nut, ⅝"-18
34	GA16025	1	Vertical Cleanout
35	GA25096	1	Cam Roller Mount
36	G11513	6	Hex Head Cap Screw, ½"-13 x 2"
37	G11512	2	Hex Set Screw, ⅜"-16 x ½"
38	G10322	3	Machine Bushing, 1¼", 18 Gauge (.0478")
39	G11530	2	Machine Bushing, 1½", 18 Gauge (.0478")
40	GD18828	1	Washer
41	G10450	5	Washer, 2¼", 18 Gauge (.0478")
42	G11531	2	Washer, 2¼", 12 Gauge (.1046")
43	G11511	6	Lock Nut, ½"-13
44	G10038	1	Hex Head Cap Screw, ½"-13 x 3"
45	GD26196	1	1½" Collar
46	G10111	1	Lock Nut, ½"-13
47	GD29033	1	Work Light Relay
48	G10107	26	Lock Nut, 5/8"-11
49	GA22299	1	Vertical Auger Pivot
50	GD31503	2	Auger Pivot Shim
51	G10006	14	Hex Head Cap Screw, ⅝"-11 x 2¼"
52	G11334	6	Washer, 1⅞", 14 Gauge (.0747")

(107629)



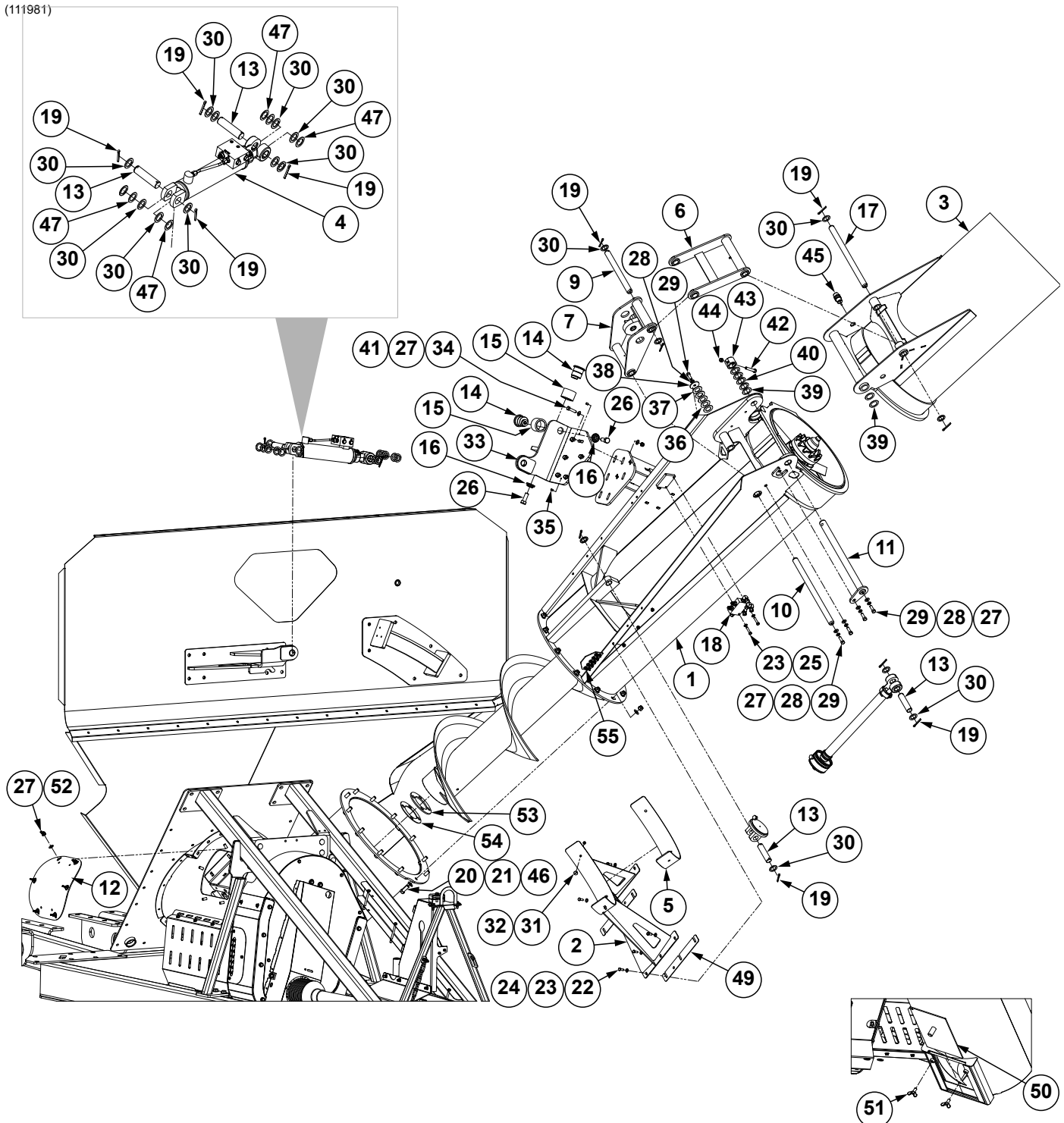
ITEM	PART NO.	QTY.	DESCRIPTION
1	---	1	<a href="#">See "Lower Vertical Auger Sub Assembly" on page P33</a>
2	G10747201	1	Auger Transport Mount
3	---	1	<a href="#">See "Upper Vertical Auger Assembly" on page P31</a>
4	GA16134	1	<a href="#">See "Auger Rotate Cylinder" on page P113</a>
5	GD22585	1	Auger Transport Pad
6	GA9257 G10640	1 -	Upper Link W/Grease Fitting, 11 $\frac{1}{8}$ " x 15 $\frac{1}{8}$ " Grease Fitting, $\frac{1}{4}$ "-28
7	G10794001	1	Bottom Auger Link
8	GA20808	1	<a href="#">See "Vertical Auger Cylinder" on page P115</a>
9	GD13736	1	Pin, 1 $\frac{1}{4}$ " x 13 $\frac{1}{8}$ "
10	GA16080	1	Auger Pin

## Vertical Auger Assembly (2023-2025 Production)

M0316-02

Grain Cart

ITEM	PART NO.	QTY.	DESCRIPTION
11	GA18028	1	Auger Pivot Pin
12	GA16024	1	Grain Transfer Cover
13	GD6136	4	Pin, 1¼" x 5"
14	G10746901	2	Eccentric
15	GD10532	2	Sleeve
16	GB0409	2	Spring Washer
17	GD23211	1	Upper Link Pin
18	---	1	<a href="#">See "Counterbalance Valve Block" on page P117</a>
19	G10460	12	Cotter Pin, ¼" x 2"
20	G10005	12	Hex Head Cap Screw, ⅝"-11 x 1¾"
21	G11391	52	Flat Washer, ⅝" SAE
22	G10001	6	Hex Head Cap Screw, ⅜"-16 x 1"
23	G11387	8	Flat Washer, ⅜" SAE
24	G11091	6	Serrated Flange Nut, ⅜"-16
25	G10047	2	Hex Head Cap Screw, ⅜"-16 x 1¾"
26	G10026	2	Hex Head Cap Screw, ¾"-10 x 2"
27	G11389	22	Flat Washer, ½" Plated SAE
28	G10228	5	Lock Washer, ½"
29	G10017	5	Hex Head Cap Screw, ½"-13 x 1½"
30	G10159	18	Washer, 1⅞", 10 Gauge (.1345")
31	G11272	3	Serrated Flange Head Elevator Bolt, ⅝"-18 x 1¼"
32	G10109	3	Lock Nut, ⅝"-18
33	GA25096	1	Cam Roller Mount
34	G11513	6	Hex Head Cap Screw, ½"-13 x 2"
35	G11512	2	Hex Set Screw, ⅜"-16 x ½"
36	G10322	3	Machine Bushing, 1¼", 18 Gauge (.0478")
37	G11530	2	Machine Bushing, 1½", 18 Gauge (.0478")
38	GD18828	1	Washer
39	G10450	5	Washer, 2¼", 18 Gauge (.0478")
40	G11531	2	Washer, 2¼", 12 Gauge (.1046")
41	G11511	6	Lock Nut, ½"-13
42	G10038	1	Hex Head Cap Screw, ½"-13 x 3"
43	GD26196	1	1½" Collar
44	G10111	1	Lock Nut, ½"-13
45	GD29033	1	Work Light Relay
46	G10107	26	Lock Nut, ⅝"-11
47	GA22299	1	Vertical Auger Pivot
48	GD31503	2	Auger Pivot Shim
49	G10006	14	Hex Head Cap Screw, ⅝"-11 x 2¼"
50	G11334	6	Washer, 1⅞", 14 Gauge (.0747")
51	---	---	---
52	G10742901	2	Auger Saddle Shim
53	G10756801	1	Cleanout Door
54	G10544801	2	Thumbscrew, ⅓"-13
55	G10775001	6	Wing Nut, ½"-13
56	GD25033	1	Lower Auger Shim, ¼"
57	GD25034	1	Lower Auger Shim, 12 Gauge (.0146")
58	---	---	<a href="#">See "Vertical Auger Grease Hose Assembly" on page P109</a>



ITEM	PART NO.	QTY.	DESCRIPTION
1	---	1	<a href="#">See "Lower Vertical Auger Sub Assembly" on page P33</a>
2	G10747201	1	Auger Transport Mount
3	G11198001	1	<a href="#">ASSY UPPER VERTICAL AUGER</a>
4	GA16134	1	<a href="#">See "Auger Rotate Cylinder" on page P113</a>
5	GD22585	1	Auger Transport Pad
6	GA9257 G10640	1 -	Upper Link W/Grease Fitting, 117/8" x 157/8" Grease Fitting, 1/4"-28

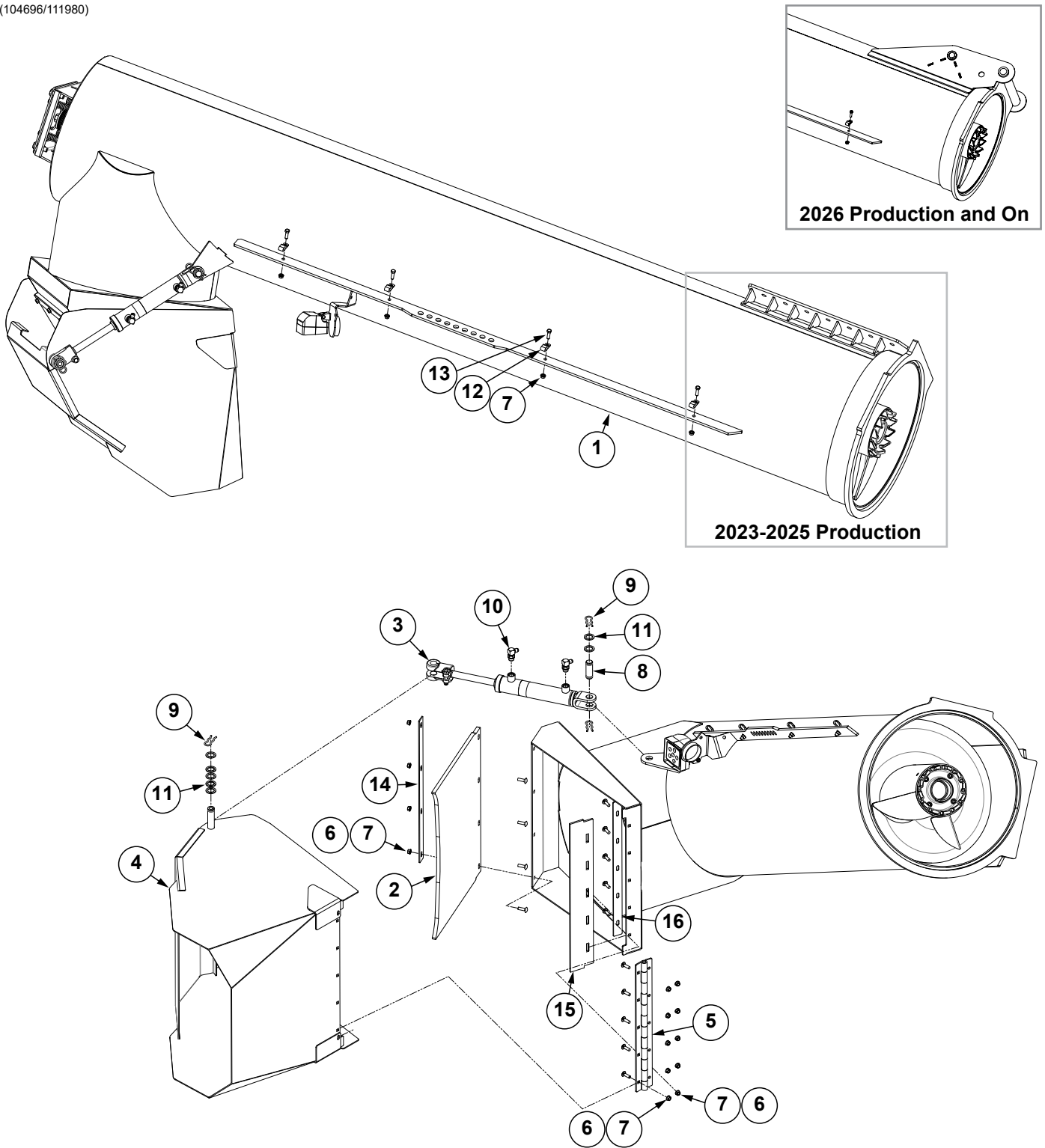
## Vertical Auger Assembly (2026 Production and On)

M0316-02

Grain Cart

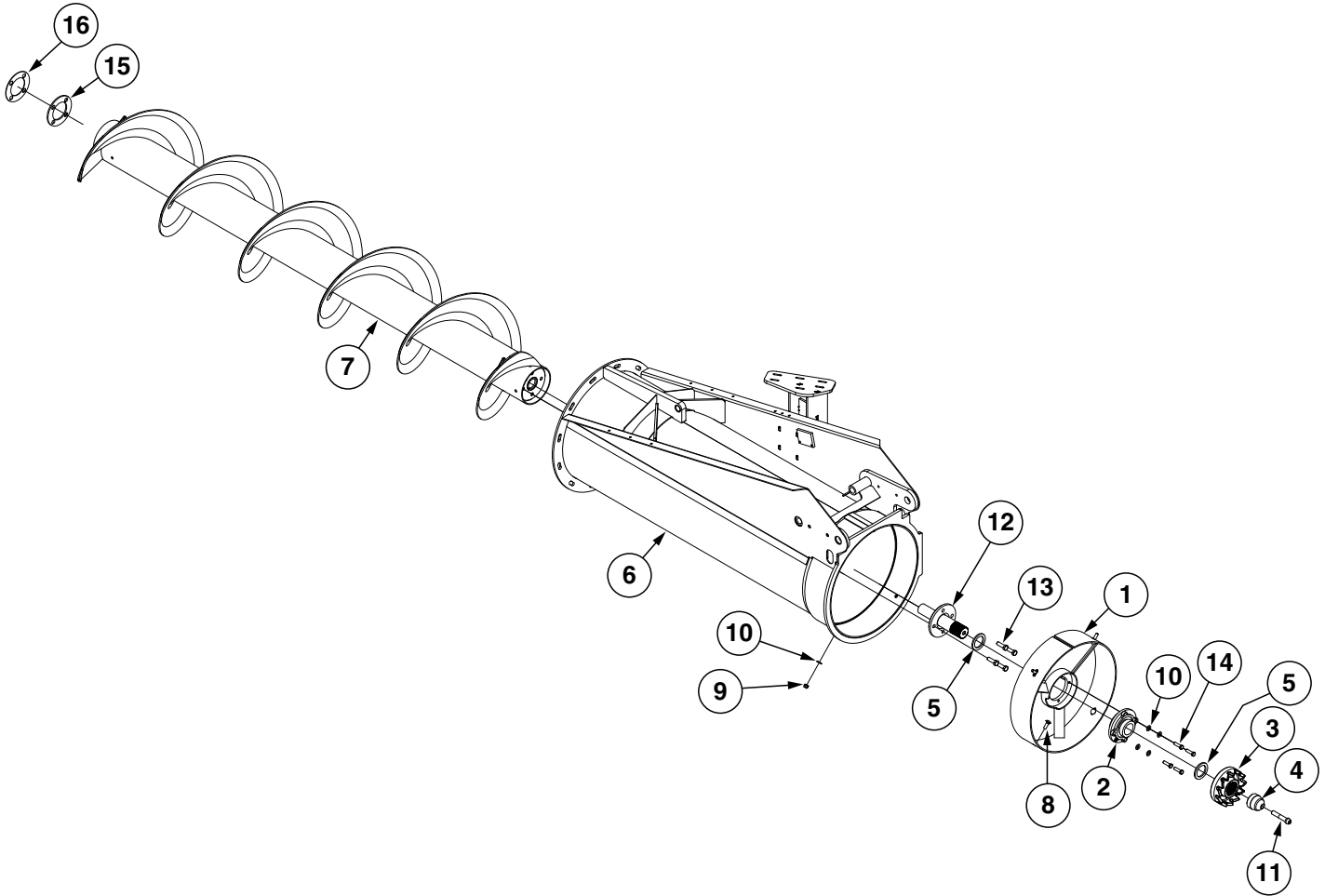
ITEM	PART NO.	QTY.	DESCRIPTION
7	G10794001	1	Bottom Auger Link
8	GA20808	1	<a href="#">See "Vertical Auger Cylinder" on page P115</a>
9	GD13736	1	Pin, 1¼" x 13⅝"
10	GA16080	1	Auger Pin
11	GA18028	1	Auger Pivot Pin
12	GA16024	1	Grain Transfer Cover
13	GD6136	4	Pin, 1¼" x 5"
14	G10746901	2	Eccentric
15	GD10532	2	Sleeve
16	GB0409	2	Spring Washer
17	GD23211	1	Upper Link Pin
18	---	1	<a href="#">See "Counterbalance Valve Block" on page P117</a>
19	G10460	12	Cotter Pin, ¼" x 2"
20	G10005	12	Hex Head Cap Screw, ⅝"-11 x 1¼"
21	G11391	24	Flat Washer, ⅝" SAE
22	G10001	6	Hex Head Cap Screw, ⅜"-16 x 1"
23	G11387	8	Flat Washer, ⅜" SAE
24	G11091	6	Serrated Flange Nut, ⅜"-16
25	G10047	2	Hex Head Cap Screw, ⅜"-16 x 1¼"
26	G10026	2	Hex Head Cap Screw, ¾"-10 x 2"
27	G11389	22	Flat Washer, ½" Plated SAE
28	G10228	5	Lock Washer, ½"
29	G10017	5	Hex Head Cap Screw, ½"-13 x 1½"
30	G10159	18	Washer, 1⅞", 10 Gauge (.1345")
31	G11272	3	Serrated Flange Head Elevator Bolt, ⅝"-18 x 1¼"
32	G10109	3	Lock Nut, ⅝"-18
33	GA25096	1	Cam Roller Mount
34	G11513	6	Hex Head Cap Screw, ½"-13 x 2"
35	G11512	2	Hex Set Screw, ⅜"-16 x ½"
36	G10322	3	Machine Bushing, 1¼", 18 Gauge (.0478")
37	G11530	2	Machine Bushing, 1½", 18 Gauge (.0478")
38	GD18828	1	Washer
39	G10450	5	Washer, 2¼", 18 Gauge (.0478")
40	G11531	2	Washer, 2¼", 12 Gauge (.1046")
41	G11511	6	Lock Nut, ½"-13
42	G10038	1	Hex Head Cap Screw, ½"-13 x 3"
43	GD26196	1	1½" Collar
44	G10111	1	Lock Nut, ½"-13
45	GD29033	1	Work Light Relay
46	G10107	12	Lock Nut, ⅝"-11
47	G11334	6	Washer, 1⅞", 14 Gauge (.0747")
48	---	---	---
49	G10742901	2	Auger Saddle Shim
50	G10756801	1	Cleanout Door
51	G10544801	2	Thumbscrew, ⅜"-13
52	G10775001	6	Wing Nut, ½"-13
53	GD25033	1	Lower Auger Shim, ¼"
54	GD25034	1	Lower Auger Shim, 12 Gauge (.0146")
55	---	1	<a href="#">See "Vertical Auger Grease Hose Assembly" on page P109</a>

(104696/111980)



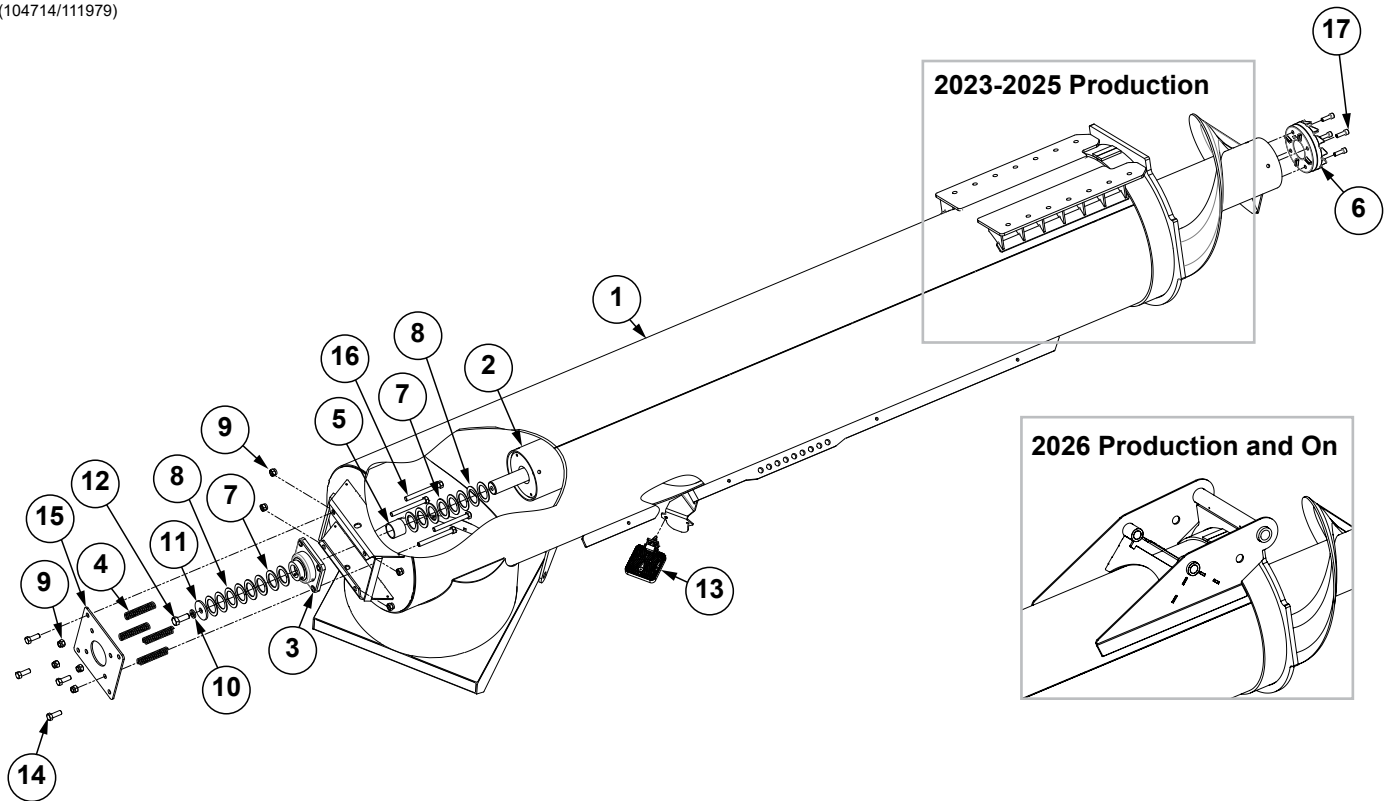
ITEM	PART NO.	QTY.	DESCRIPTION
1	---	1	<a href="#">See "Upper Vertical Auger Sub Assembly" on page P34</a>
2	G10531801	1	Auger Hood Flap
3	GA21166	1	<a href="#">See "Auger Discharge Hood Cylinder" on page P112</a>
4	G10530301	1	Upper Auger Hood
5	GA16001	1	Continuous Hinge
6	G10599	14	Carriage Bolt, 3/8"-16 x 1 1/4"
7	G11091	18	Serrated Flange Nut, 3/8"-16
8	GR0367	1	Pin, 1" x 2 7/8"
9	GR0193	3	Hair Pin Clip
10	6801-06-08 GR1037	2 -	Elbow W/O-Ring, 90°, 3/16"-18 Male JIC To 3/4"-16 O-Ring O-Ring
11	G10233	7	Machine Bushing, 1 1/2" x 1/2", 10 Gauge (.1345")
12	GD17161	4	Double Insulated Clamp
13	G10004	4	Hex Head Cap Screw, 3/8"-16 x 1 1/4"
14	G10531701	1	Auger Flap Strip
15	G10531601	1	Hinge Cover Flap
16	G10531901	1	Hinge Cover Strip

(A15994)



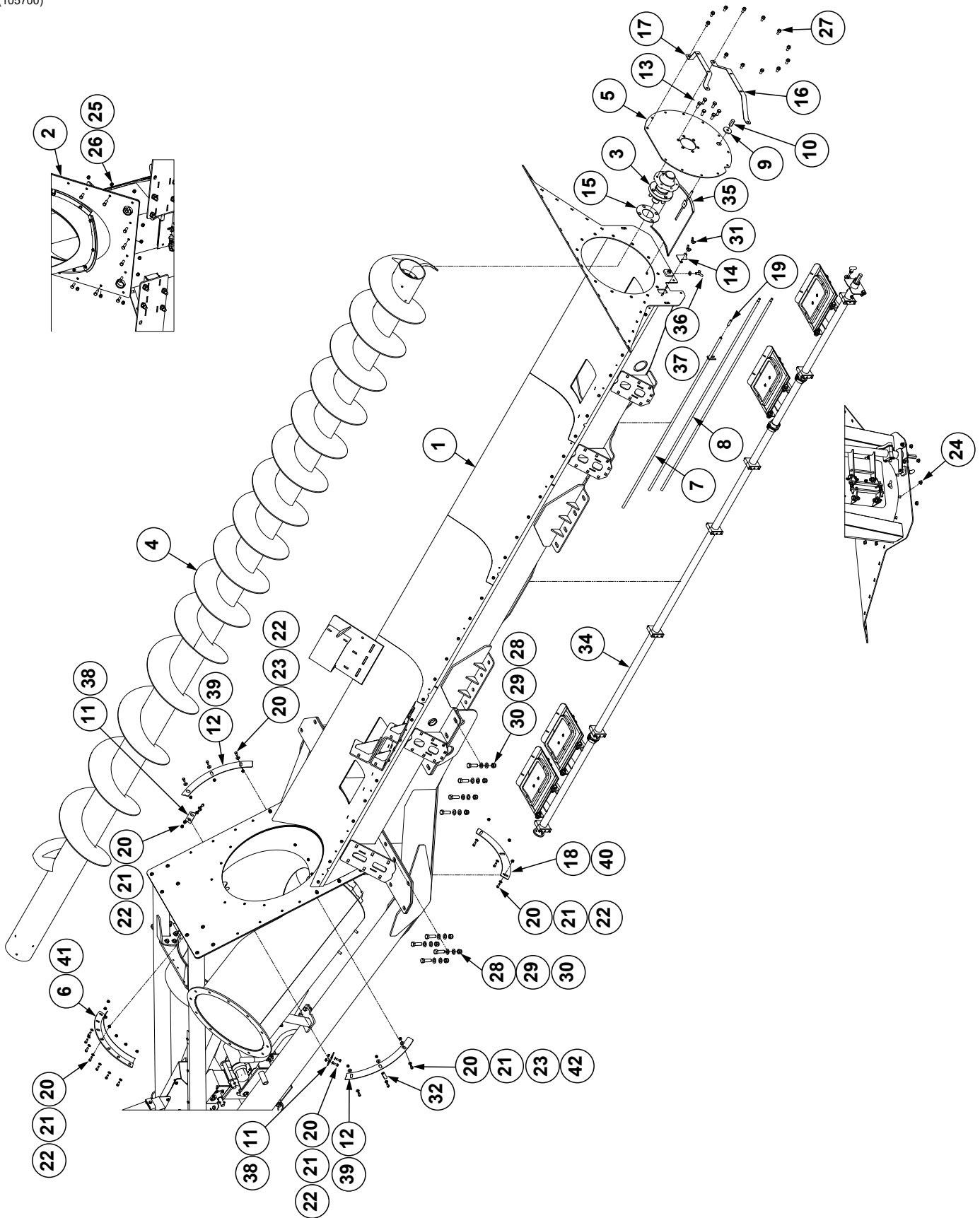
ITEM	PART NO.	QTY.	DESCRIPTION
1	GA18392	1	Vertical Auger Hanger (2022 Production)
	G10651801	1	Vertical Auger Hanger (2023 Production and On)
2	GA18517	1	4-Bolt Flange Bearing, 2 <sup>7</sup> / <sub>16</sub> "
3	GD29792	1	Lower Coupler
4	GD26892	1	Vertical Pilot Cone
5	GD29312	2	Coupler Washer
6	GA21414	1	Lower Auger Housing (2022 Production)
	G10652101	1	Lower Auger Housing (2023 Production and On)
7	G10550301	1	Lower Vertical Auger
8	G10636	4	Carriage Bolt, 1/2"-13 x 1 1/2"
9	G10111	4	Lock Nut, 1/2"-13
10	G11389	8	Flat Washer, 1/2" Plated SAE
11	GD25419	1	Hex Socket Head Cap Screw, 3/4"-10 x 4", Grade 5 (Modified)
12	GA18487	1	Lower Auger Spindle
13	G11174	4	Hex Head Cap Screw, 5/8"-11 x 2"
14	G10039	4	Hex Head Cap Screw, 1/2"-13 x 1 3/4"
15	GD25033	1	Lower Auger Shim, 1/4"
16	GD25034	1	Lower Auger Shim, 12 Gauge (.0146")

(104714/111979)



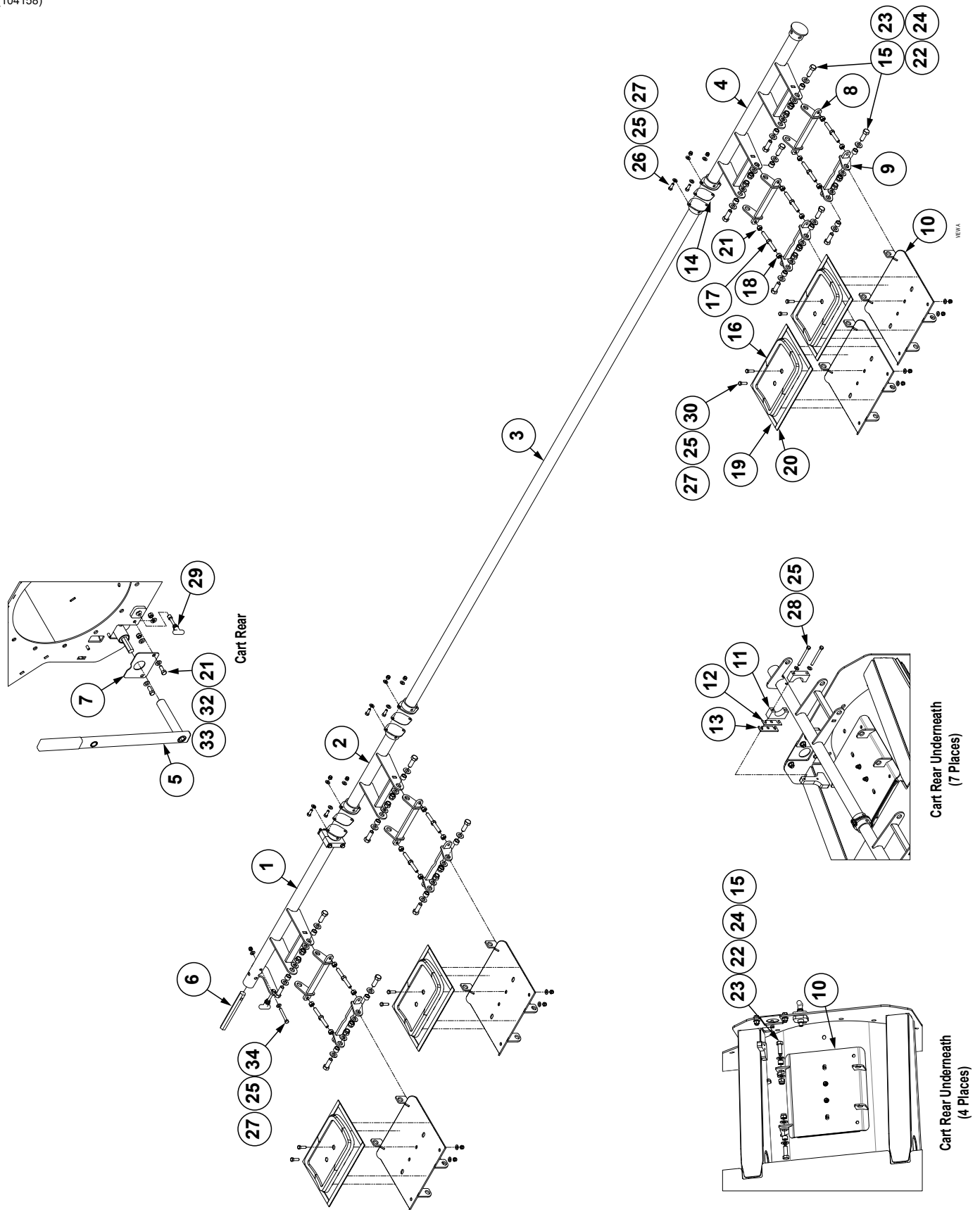
ITEM	PART NO.	QTY.	DESCRIPTION
1	G10468001	1	Upper Auger Housing (2023-2025 Production)
	G11165001	1	Upper Auger Housing (2026 Production and On)
2	G10550401	1	Upper Vertical Auger
3	GA0449	1	Bearing W/Lock Collar, Set Screw And Grease Fitting, 2"
4	GD6433	4	Spring
5	GD3457-09	1	Sleeve, 2" x 2¼" Long
6	GD29793	1	Upper Coupler
7	G10234	8	Machine Bushing, 2⅛", 10 Gauge (.1345")
8	G10336	8	Machine Bushing, 2⅛", 14 Gauge (.0747")
9	G10107	8	Lock Nut, ⅝"-11
10	G10231	1	Lock Washer, ¾"
11	GD9592	1	Special Washer
12	G10026	1	Hex Head Cap Screw, ¾"-10 x 2"
13	G11112401	1	Work Light
14	G10005	4	Hex Head Cap Screw, ⅝"-11 x 1¾"
15	GD13778	1	Spring Plate
16	G10068	4	Hex Head Cap Screw, ⅝"-11 x 6"
17	G11559	4	Hex Socket Head Cap Screw, ½"-13 x 1½", Grade 8

(105700)



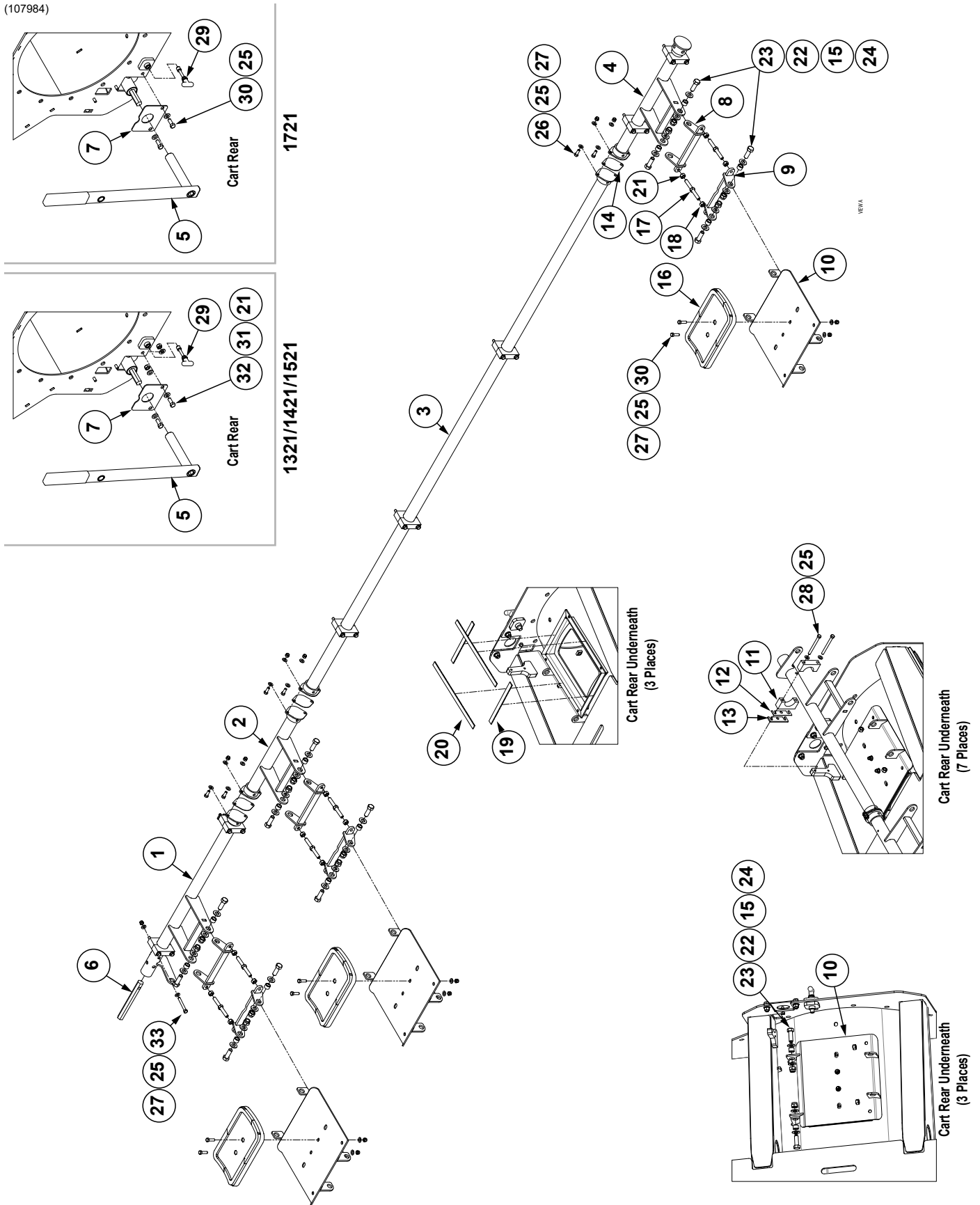
ITEM	PART NO.	QTY.	DESCRIPTION
1	G10419701	1	Frame, Flotation/Track (1321) <b>Non-Stock Item</b>
	G10798901	-	Frame, Flotation/Track (1421/1521) <b>Non-Stock Item</b>
	G11003901	-	Frame, Flotation/Track (1721) <b>Non-Stock Item</b>
2	---	1	<a href="#">See "Inner Grain Transfer" on page P43</a>
3	GA15991	1	<a href="#">See "Horizontal Auger Drive Hub Assembly" on page P13</a>
4	GA15984	1	Horizontal Auger (1421/1521)
	GA16196	1	Horizontal Auger (1321)
	GA16198	1	Horizontal Auger (1721)
5	GD23343	1	Rear Horizontal Auger Cover
6	GA17973	1	Upper Bolt Plate
7	GA16053	1	Cleanout Push Rod (1421/1521)
	GA16405	-	Cleanout Push Rod (1321)
	GA16275	-	Cleanout Push Rod (1721)
8	GA16054	2	Cleanout Push Rod Assembly (1421/1521)
	GA16403	-	Cleanout Push Rod Assembly (1321)
	GA16274	-	Cleanout Push Rod Assembly (1721)
9	GD13804	1	Slide Pan Washer
10	GD13805	1	Slide Pan Nut
11	GD26432	2	Bolt Plate
12	GD26428	2	Side Filler Bolt Plate
13	GR0270	6	Lug Bolt, 9/16"-18
14	GD23483	1	Storage Cover Plate
15	GD23893	1	Auger Shim
16	GD24836	1	Lower SMV Bracket
17	GD24835	1	Upper SMV Bracket
18	GD26430	1	Lower Filler Bolt Plate
19	G11051	1	Hex Socket Set Screw, 1/2"-13 X 2"
20	G10001	20	Hex Head Cap Screw, 3/8"-16 x 1"
21	G11387	17	Flat Washer, 3/8" SAE
22	G11091	17	Serrated Flange Nut, 3/8"-16
23	G10210	6	Washer, 3/8" USS
24	G10071	4	Serrated Flange Nut, 1 1/2"-13
25	G10017	10	Hex Head Cap Screw, 1/2"-13 x 1 1/2"
26	G10111	10	Lock Nut, 1/2"-13
27	G11413	12	Hex Socket Flange Cap Screw, 1/2"-13 x 1", Grade 5
28	G10027	24	Hex Head Cap Screw, 3/4"-10 x 2 1/2"
29	G11392	48	Flat Washer, 3/4" SAE
30	G10112	24	Lock Nut, 3/4"-10
31	G10163	2	Wing Nut, 3/8"-16
32	GD17161	1	Double Insulated Clamp
33	---	---	---
34	---	1	<a href="#">See "Cleanout Sweep Assembly (2022 Production)" on page P37</a> <a href="#">See "Cleanout Sweep Assembly (2023 - 2024 Production)" on page P39</a> <a href="#">See "Cleanout Sweep Assembly (2025 Production and On)" on page P41</a>
35	G10544201	1	Cleanout Sweep
36	G10544801	1	Thumbscrew, 1/8"-13
37	G11389	1	Flat Washer, 1/2" Plated SAE
38	GD26442-01	2	Grain Transfer Weather Strip, 3 3/4"
39	GD26442-02	2	Grain Transfer Weather Strip, 20 1/2"
40	GD26442-03	1	Grain Transfer Weather Strip, 19"
41	GD26441-01	1	Grain Transfer Weather Strip, 22"
42	G10108	3	Lock Nut, 3/8"-16

(104158)



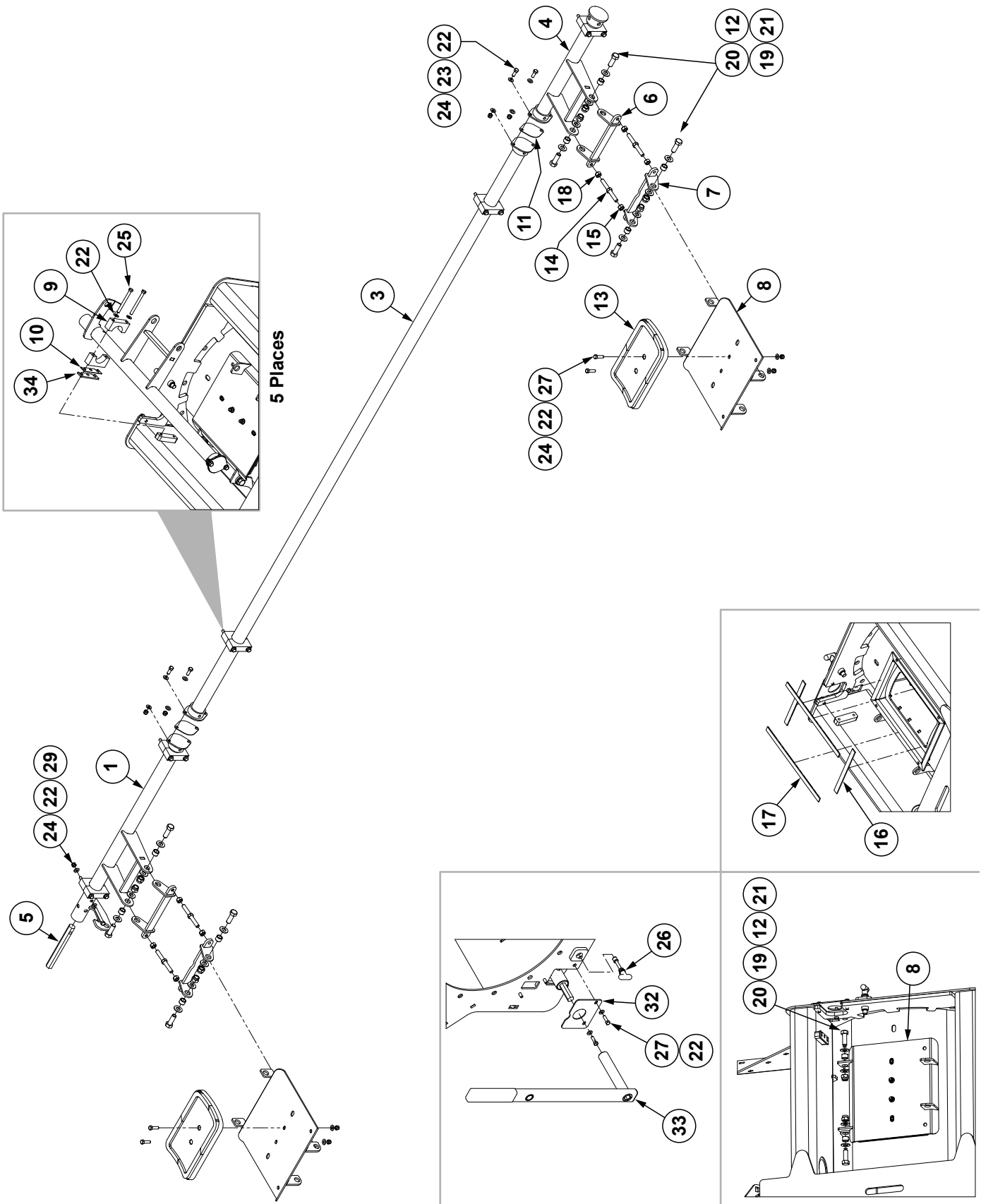
ITEM	PART NO.	QTY.	DESCRIPTION
1	G10410701	1	Torsion Rod A
2	G10411901	1	Torsion Rod B (1321)
	G10415301	-	Torsion Rod E (1421/1521)
	G10416901	-	Torsion Rod H (1721)
3	G10412001	1	Torsion Rod C (1321)
	G10415201	-	Torsion Rod F (1421/1521)
	G10548501	-	Torsion Rod N (1721)
4	G10412201	1	Torsion Rod D (1321)
	G10415601	-	Torsion Rod G (1421/1521)
	G10416801	-	Torsion Rod I (1721)
5	G10535501	1	Cleanout Bar Assembly
	GD11649		Boot (Included W/G10535501)
6	G10411001	1	Hex Shaft
7	G10542001	1	Rear Cover Sheet
8	G10413401	4	R.H. Turnbuckle
9	G10413301	4	L.H. Turnbuckle
10	G10413001	4	Dump Door
11	G10414501	14	Plastic Clamp
12	G10535701	7	Clamp Shim, 16 Gauge (.0598")
13	G10556701	7	Clamp Shim , 7 Gauge (.1793")
14	G10414401	3	Flange Shim
15	GB0218	24	Bushing, <sup>2</sup> / <sub>32</sub> " I.D. x <sup>7</sup> / <sub>8</sub> " O.D. x <sup>1</sup> / <sub>32</sub> " Long
16	G10599602	4	Cleanout Insert
17	G10414101	8	Rod Turnbuckle
18	G10415101	8	L.H. Hex Nut, <sup>1</sup> / <sub>2</sub> "-13, Grade 5
19	G10540203	8	Seal, <sup>3</sup> / <sub>4</sub> " x <sup>1</sup> / <sub>8</sub> " x 9 <sup>1</sup> / <sub>2</sub> "
20	G10540204	8	Seal, <sup>3</sup> / <sub>4</sub> " x <sup>1</sup> / <sub>8</sub> " x 15"
21	G10102	10	Hex Nut, <sup>1</sup> / <sub>2</sub> "-13
22	G11391	48	Flat Washer, <sup>5</sup> / <sub>8</sub> " SAE
23	G10005	24	Hex Head Cap Screw, <sup>5</sup> / <sub>8</sub> "-11 x 1 <sup>3</sup> / <sub>4</sub> "
24	G10107	24	Lock Nut, <sup>5</sup> / <sub>8</sub> "-11
25	G10203	36	Washer, <sup>3</sup> / <sub>8</sub> " SAE
26	G10001	6	Hex Head Cap Screw, <sup>3</sup> / <sub>8</sub> "-16 x 1"
27	G10108	15	Lock Nut, <sup>3</sup> / <sub>8</sub> "-16
28	G10634101	14	Hex Head Cap Screw, <sup>3</sup> / <sub>8</sub> "-16 x 4", Grade 5
29	G10644201	1	Twist to Lock Spring Plunger
30	G10004	8	Hex Head Cap Screw, <sup>3</sup> / <sub>8</sub> "-16 x 1 <sup>1</sup> / <sub>4</sub> "
31	---	---	---
32	G11389	4	Flat Washer, <sup>1</sup> / <sub>2</sub> " Plated SAE
33	G10037	2	Hex Head Cap Screw, <sup>1</sup> / <sub>2</sub> "-13 X 1 <sup>1</sup> / <sub>4</sub> "
34	G10062	1	Hex Head Cap Screw, <sup>3</sup> / <sub>8</sub> "-16 x 3"

(107984)



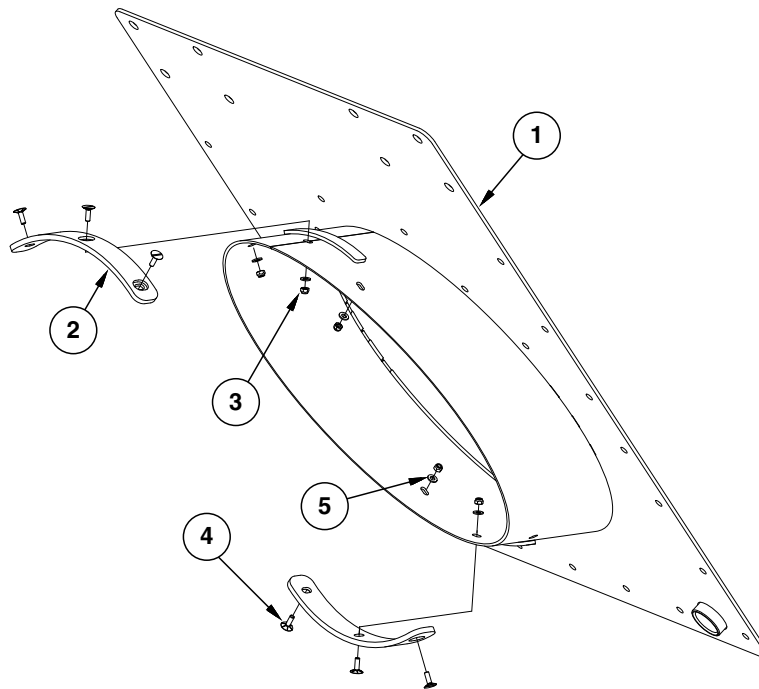
ITEM	PART NO.	QTY.	DESCRIPTION
1	G10410701	1	Torsion Rod A
2	G10411901	1	Torsion Rod B (1321)
	G10415301	-	Torsion Rod E (1421/1521)
	G10416901	-	Torsion Rod H (1721)
3	G10412001	1	Torsion Rod C (1321)
	G10415201	-	Torsion Rod F (1421/1521)
	G10548501	-	Torsion Rod N (1721)
4	G10412201	1	Torsion Rod D (1321)
	G10799001		Torsion Rod P (1421/1521)
	G10548701		Torsion Rod O (1721)
5	G10535501	1	Cleanout Bar Assembly
	GD11649		Boot (Included W/G10535501)
6	G10411001	1	Hex Shaft
7	G10542001	1	Rear Cover Sheet
8	G10413401	3	R.H. Turnbuckle
9	G10413301	3	L.H. Turnbuckle
10	G10413001	3	Dump Door
11	G10414501	14	Plastic Clamp
12	G10535701	7	Clamp Shim, 16 Gauge (.0598")
13	G10556701	7	Clamp Shim , 7 Gauge (.1793")
14	G10414401	3	Flange Shim
15	GB0218	18	Bushing, 2 <sup>1</sup> / <sub>2</sub> " I.D. x 7 <sup>1</sup> / <sub>8</sub> " O.D. x 1 <sup>9</sup> / <sub>32</sub> " Long
16	G10599602	3	Cleanout Insert
17	G10414101	6	Rod Turnbuckle
18	G10415101	6	L.H. Hex Nut, 1/2"-13, Grade 5
19	G10540203	6	Seal, 3/4" x 1/8" x 9 1/2"
20	G10540204	6	Seal, 3/4" x 1/8" x 15"
21	G10102	8	Hex Nut, 1/2"-13
22	G11391	36	Flat Washer, 5/8" SAE
23	G10005	18	Hex Head Cap Screw, 5/8"-11 x 1 3/4"
24	G10107	18	Lock Nut, 5/8"-11
25	G11387	44	Flat Washer, 3/8" SAE
26	G10001	6	Hex Head Cap Screw, 3/8"-16 x 1"
27	G10108	13	Lock Nut, 3/8"-16
28	G10634101	14	Hex Head Cap Screw, 3/8"-16 x 4", Grade 5
29	G10644201	1	Twist to Lock Spring Plunger
30	G10004	8	Hex Head Cap Screw, 3/8"-16 x 1 1/4"
31	G11389	4	Flat Washer, 1/2" Plated SAE
32	G10037	2	Hex Head Cap Screw, 1/2"-13 X 1 1/4"
33	G10062	1	Hex Head Cap Screw, 3/8"-16 x 3"

(104150)



ITEM	PART NO.	QTY.	DESCRIPTION
1	G10410701	1	Torsion Rod A
2	---	---	---
3	G11119801	1	Torsion Rod T (1321)
	G11118501	1	Torsion Rod R (1421/1521)
	G11119901	1	Torsion Rod U (1721)
4	G10412201	1	Torsion Rod D (1321)
	G10799001		Torsion Rod P (1421/1521)
	G10548701	1	Torsion Rod O (1721)
5	G10411001	1	Hex Shaft
6	G10413401	2	R.H. Turnbuckle
7	G10413301	2	L.H. Turnbuckle
8	G10413001	2	Dump Door
9	G10414501	10	Plastic Clamp
10	G10535701	5	Clamp Shim, 16 Gauge (.0598")
11	G10414401	2	Flange Shim
12	GB0218	12	Bushing, 2 <sup>1</sup> / <sub>2</sub> " I.D. x 7/8" O.D. x 1 <sup>9</sup> / <sub>32</sub> " Long
13	G10599602	2	Cleanout Insert
14	G10414101	4	Rod Turnbuckle
15	G10415101	4	L.H. Hex Nut, 1/2"-13, Grade 5
16	G10540203	4	Seal, 3/4" x 1/8" x 9 1/2"
17	G10540204	4	Seal, 3/4" x 1/8" x 15"
18	G10102	4	Hex Nut, 1/2"-13
19	G11391	24	Flat Washer, 5/8" SAE
20	G10005	12	Hex Head Cap Screw, 5/8"-11 x 1 3/4"
21	G10107	12	Lock Nut, 5/8"-11
22	G11387	26	Flat Washer, 3/8" SAE
23	G10001	4	Hex Head Cap Screw, 3/8"-16 x 1"
24	G10108	9	Lock Nut, 3/8"-16
25	G10634101	10	Hex Head Cap Screw, 3/8"-16 x 4", Grade 5
26	G10644201	1	Twist to Lock Spring Plunger
27	G10004	6	Hex Head Cap Screw, 3/8"-16 x 1 1/4"
28	---	---	---
29	G10062	1	Hex Head Cap Screw, 3/8"-16 x 3"
30	---	---	---
31	---	---	---
32	G11004001	1	Rear Cover Sheet
33	G10535501	1	Cleanout Bar Assembly
	GD11649		Boot (Included W/G10535501)
34	G10556701	5	Clamp Shim , 7 Gauge (.1793")

(IP1415)



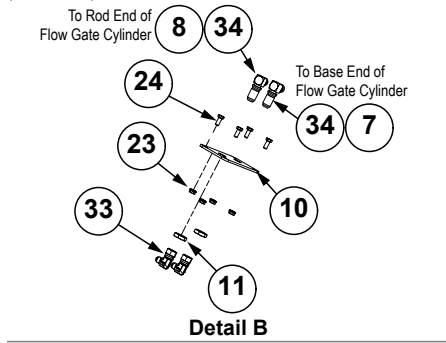
ITEM	PART NO.	QTY.	DESCRIPTION
1	GA25120	1	Inner Grain Transfer
2	GD26023	2	Rotate Wear Pad
3	G10109	6	Lock Nut, 5/16"-18
4	G11192	6	Bolt, 5/16"-18 x 1"
5	G11386	6	Flat Washer, 5/16" SAE
A	GA25121	1	Inner Grain Transfer (Includes Items 1-5)

**This page left blank intentionally.**

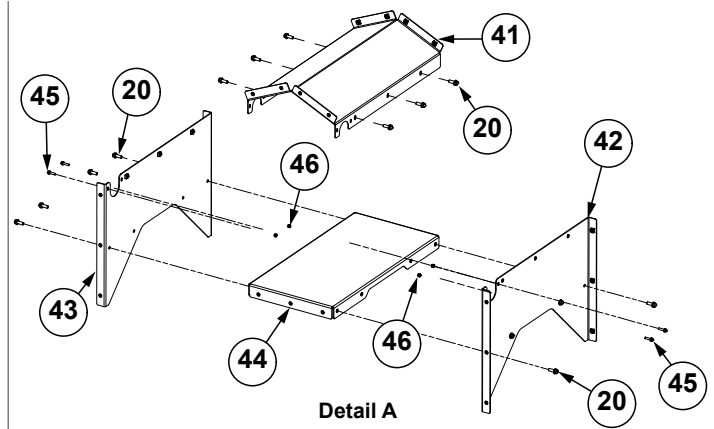
(A24656-03)

To Rod End of  
Flow Gate Cylinder

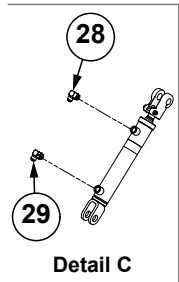
To Base End of  
Flow Gate Cylinder



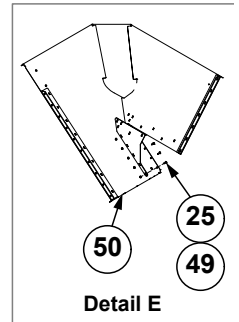
Detail B



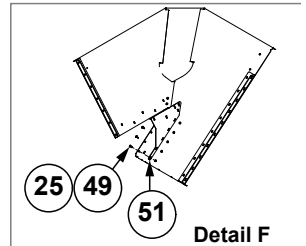
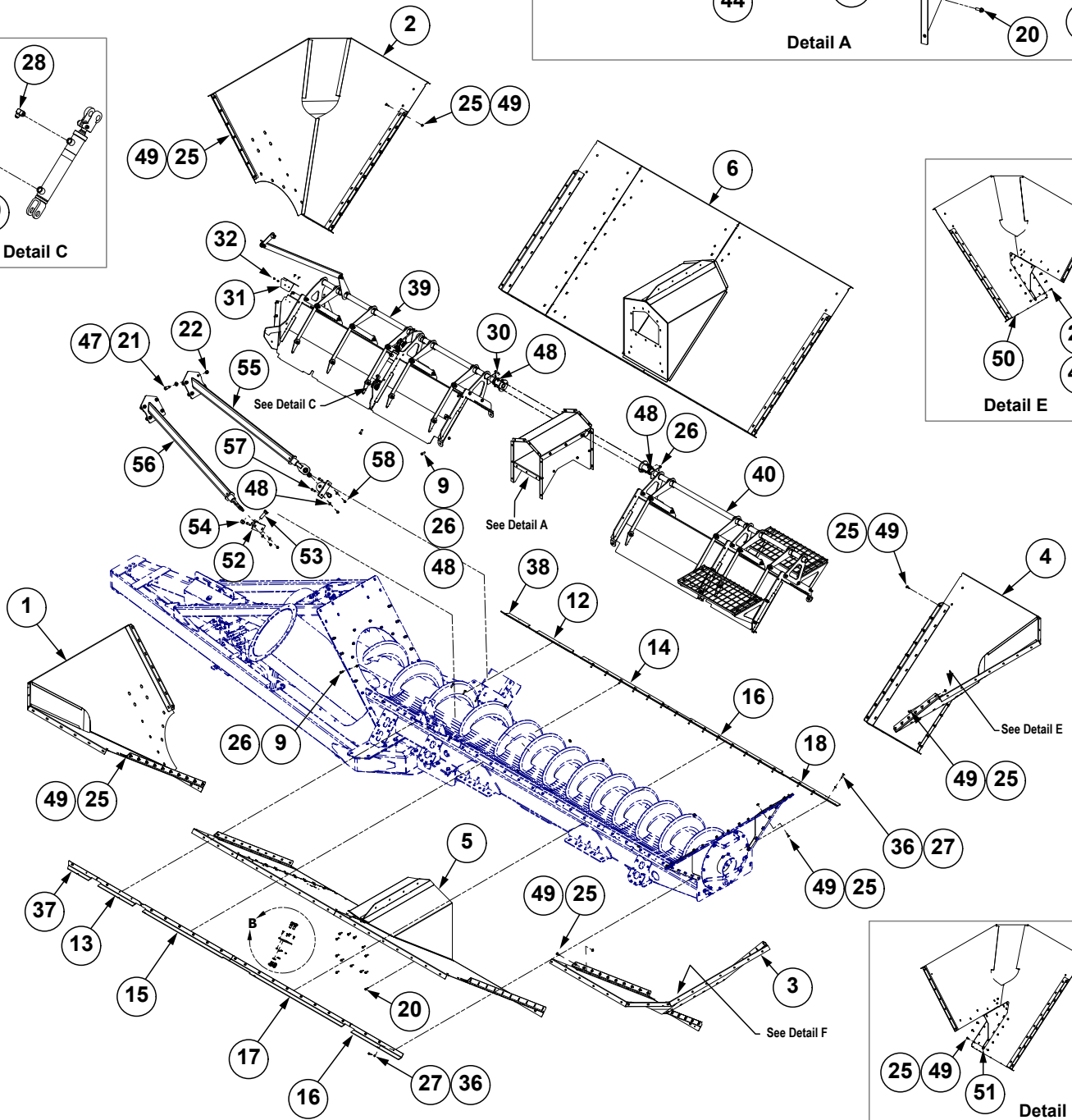
Detail A



Detail C



Detail E



Detail F

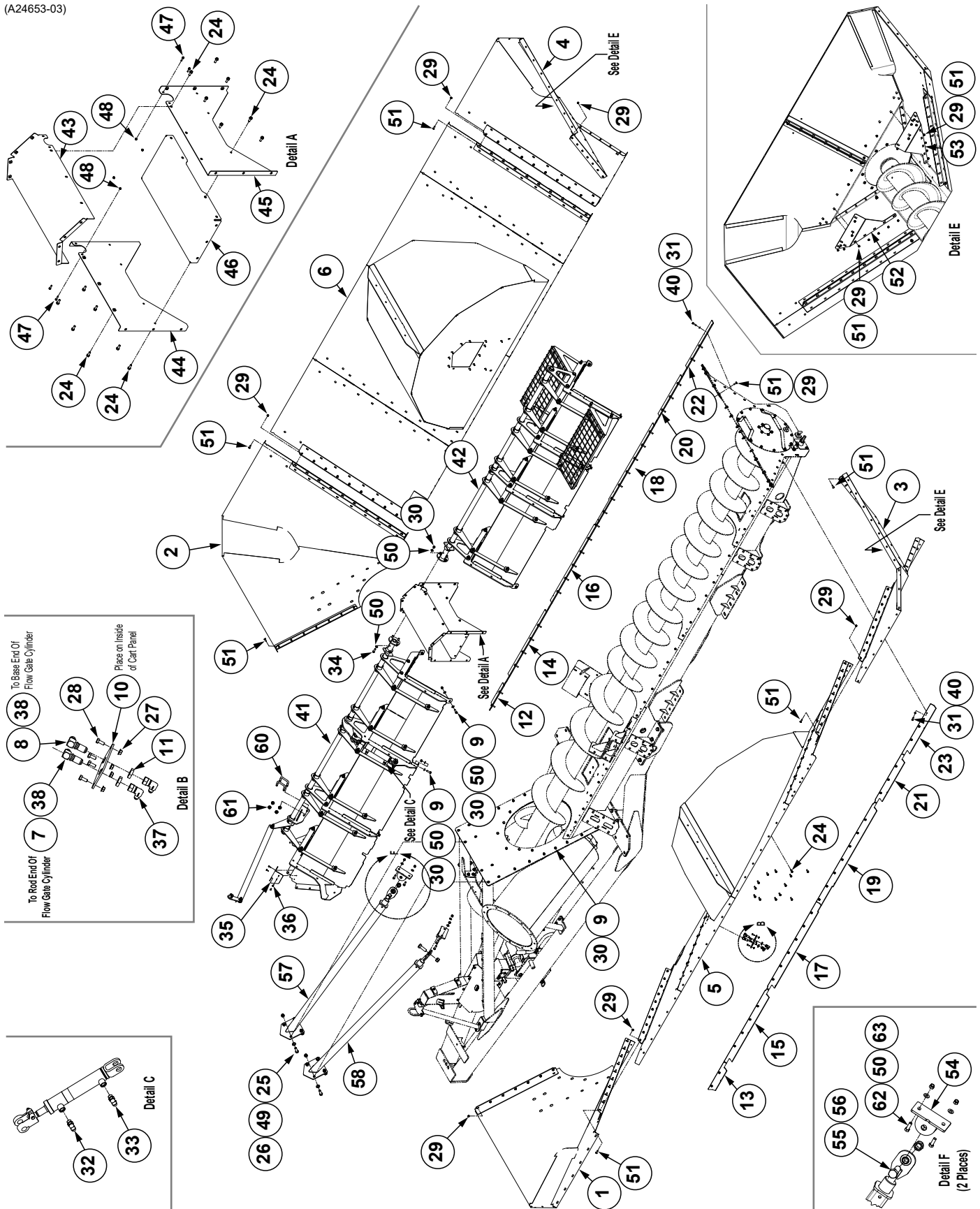
ITEM	PART NO.	QTY.	DESCRIPTION
1	GA16021	1	Front Corner Tank
2	GA16022	1	Front Tank Corner
3	GA16029	1	Rear Tank Corner
4	GA16030	1	Rear Tank Corner
5	GA16741	1	Lower Tank Side (1321 Flotation)
	GA16267	-	Lower Tank Side (1321 Track)
6	GA16742	1	Lower Tank Side (1321 Flotation)
	GA16266	-	Lower Tank Side (1321 Track)
7	*A1098	1	Hose Assembly, 3/8" x 26"
8	*A1018	1	Hose Assembly, 3/8" x 40" (08F-08F)
9	G10017	24	Hex Head Cap Screw, 1/2"-13 x 1 1/2"
10	GD24006	1	Flow Gate Cylinder Bulkhead
11	G306-08	2	Lock Nut, 3/4"-16
12	GD26402	1	R.H. Front Side Panel Clamp
13	GD26403	1	L.H. Front Side Panel Clamp
14	GD26398	1	R.H. Mid-Front Side Panel Clamp
15	GD26397	1	L.H. Mid-Front Side Panel Clamp
16	GD26404	1	R.H. Mid-Rear Side Panel Clamp
17	GD26405	1	L.H. Mid-Rear Side Panel Clamp
18	GD26400	1	R.H. Rear Side Panel Clamp
19	GD26453	1	L.H. Rear Side Panel Clamp
20	G11124	40	Hex Serrated Flange Cap Screw, 3/8"-16 x 1"
21	G10027	8	Hex Head Cap Screw, 3/4"-10 x 2 1/2"
22	G10112	8	Lock Nut, 3/4"-10
23	G10620	4	Serrated Flange Nut, 5/16"-18
24	G10043	4	Hex Head Cap Screw, 5/16"-18 x 3/4"
25	G11091	80	Serrated Flange Nut, 3/8"-16
26	G10111	28	Lock Nut, 1/2"-13
27	G10229	45	Lock Washer, 3/8"
28	G6801-08	1	Elbow W/O-Ring, 90°, 3/4"-16 Male JIC To O-Ring
	GR1037	-	O-Ring
29	GA9705	1	Restrictor Elbow
30	G10657	4	Hex Head Cap Screw, 1/2"-13 x 1 3/4", Grade 8
31	GD24996	1	Flow Gate Cover
32	G10522	4	Slotted Hex Self-Tapping Screw, 1/4"-20 x 3/4"
33	6500-06-08	2	90° Swivel Elbow, 9/16"-18 x 3/4"-16
34	2701-08	2	Bulkhead Elbow, 90°, 3/4"-16 Male JIC
36	G10003	45	Hex Head Cap Screw, 3/8"-16 x 1 1/2"
37	GD26425	1	L.H. Front Side Panel Clamp
38	GD26426	1	R.H. Front Side Panel Clamp
39	---	1	<a href="#">See "Hydraulic Flow Gate, Front Assembly (1321)" on page P57</a>
40	---	1	<a href="#">See "Hydraulic Flow Gate, Rear Assembly (1321)" on page P59</a>
41	GA16616	1	Top Axle Cover
42	GA16615	1	Rear Axle Cover
43	GA16614	1	Front Axle Cover
44	GA16188	1	Lower Axle Cover
45	G11409	4	Hex Serrated Flanged Cap Screw, 1/4"-20 x 1"
46	G10110	4	Lock Nut, 1/4"-20, Grade B
47	G11392	8	Flat Washer, 3/4" SAE
48	G11389	32	Flat Washer, 1/2" Plated SAE
49	G10599	80	Carriage Bolt, 3/8"-16 x 1 1/4"
50	GD29560	1	R.H. Stiffener

---

ITEM	PART NO.	QTY.	DESCRIPTION
51	GD29559	1	L.H. Stiffener
52	GA21006	2	Pivot Bracket
53	G10119	2	Hex Head Cap Screw, 1"-8 x 3"
54	G10396	2	Lock Nut, 1"-8
55	---	1	<a href="#">See "Inner Truss Support" on page P55</a>
56	---	1	<a href="#">See "Inner Truss Support" on page P55</a>
57	G11802	4	Hex Head Cap Screw, ½"-13 x 1½", Grade 8
58	G11511	4	Lock Nut, ½"-13

**This page left blank intentionally.**

(A24653-03)

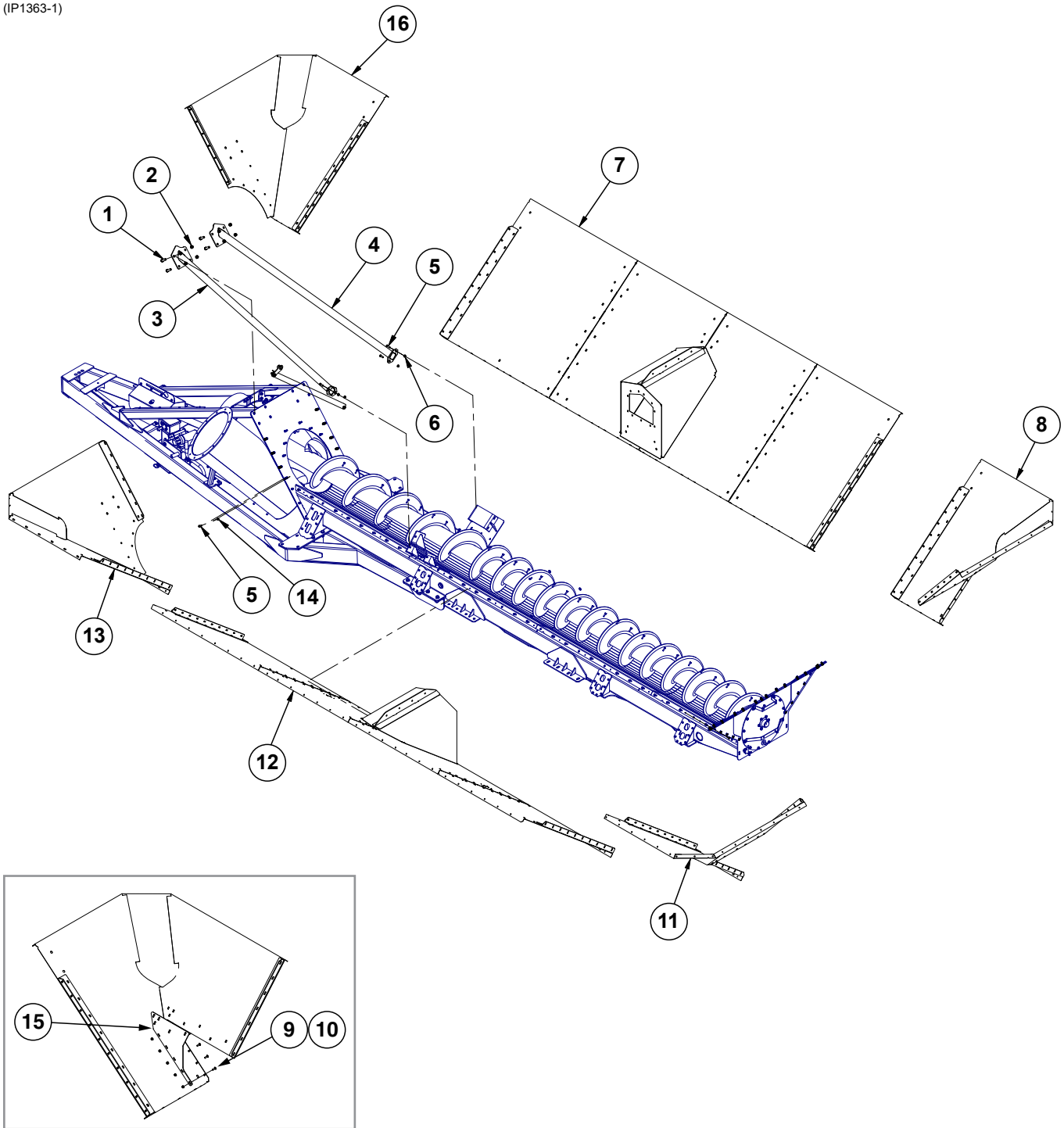


ITEM	PART NO.	QTY.	DESCRIPTION
1	GA16021	1	Front Corner Tank
2	GA16022	1	Front Tank Corner
3	GA16029	1	Rear Tank Corner
4	GA16030	1	Rear Tank Corner
5	GA16707	1	Lower Tank Side (1421/1521 Flotation)
	GA16033	-	Lower Tank Side (1421/1521 Track)
6	GA16708	1	Lower Tank Side (1421/1521 Flotation and Row Crop)
	GA16034	-	Lower Tank Side (1421/1521 Track)
7	*A1018	1	Hose Assembly, 3/8" x 40" (08F-08F)
8	*A1098	1	Hose Assembly, 3/8" x 26"
9	G10017	28	Hex Head Cap Screw, 1/2"-13 x 1 1/2"
10	GD24006	1	Flow Gate Cylinder Bulkhead
11	G306-08	2	Lock Nut, 3/4"-16
12	GD26426	1	R.H. Front Side Panel Clamp
13	GD26425	1	L.H. Front Side Panel Clamp
14	GD26396	1	R.H. Front Side Panel Clamp
15	GD26695	1	L.H. Front Side Panel Clamp
16	GD26398	1	R.H. Mid-Front Side Panel Clamp
17	GD26397	1	L.H. Mid-Front Side Panel Clamp
18	GD26394	1	R.H. Mid-Rear Side Panel Clamp
19	GD26699	1	L.H. Mid-Rear Side Panel Clamp
20	GD26452	1	R.H. Rear Side Panel Clamp
21	GD26401	1	L.H. Rear Side Panel Clamp
22	GD26400	1	R.H. Rear Side Panel Clamp
23	GD26453	1	L.H. Rear Side Panel Clamp
24	G11124	40	Hex Serrated Flange Cap Screw, 3/8"-16 x 1"
25	G10027	8	Hex Head Cap Screw, 3/4"-10 x 2 1/2"
26	G10112	8	Lock Nut, 3/4"-10
27	G10620	4	Serrated Flange Nut, 5/16"-18
28	G10043	4	Hex Head Cap Screw, 5/16"-18 x 3/4"
29	G11091	80	Serrated Flange Nut, 3/8"-16
30	G10111	32	Lock Nut, 1/2"-13
31	G10229	50	Lock Washer, 3/8"
32	G6801-08	1	Elbow W/O-Ring, 90°, 3/4"-16 Male JIC To O-Ring
	GR1037	-	O-Ring
33	GA9705	1	Restrictor Elbow
34	G10657	4	Hex Head Cap Screw, 1/2"-13 x 1 3/4", Grade 8
35	GD24996	1	Flow Gate Cover
36	G10522	4	Slotted Hex Self-Tapping Screw, 1/4"-20 x 3/4"
37	6500-06-08	2	90° Swivel Elbow, 9/16"-18 x 3/4"-16
38	2701-08	2	Bulkhead Elbow, 90°, 3/4"-16 Male JIC
39	---	---	---
40	G10003	50	Hex Head Cap Screw, 3/8"-16 x 1 1/2"
41	---	1	<a href="#">See "Hydraulic Flow Gate, Front Assembly (1421/1521)" on page P61</a>
42	---	1	<a href="#">See "Hydraulic Flow Gate, Rear Assembly (1421/1521)" on page P63</a>
43	GA16616	1	Top Axle Cover
44	GA16615	1	Rear Axle Cover
45	GA16614	1	Front Axle Cover
46	GA16188	1	Lower Axle Cover
47	G11409	4	Hex Serrated Flanged Cap Screw, 1/4"-20 x 1"
48	G10110	4	Lock Nut, 1/4"-20, Grade B
49	G11392	8	Flat Washer, 3/4" SAE

ITEM	PART NO.	QTY.	DESCRIPTION
50	G11389	40	Flat Washer, 1/2" Plated SAE
51	G10599	80	Carriage Bolt, 3/8"-16 x 1 1/4"
52	GD29560	1	R.H. Stiffener
53	GD29559	1	L.H. Stiffener
54	GA20225	2	Pivot Bracket
55	G10119	2	Hex Head Cap Screw, 1"-8 x 3"
56	G10396	2	Lock Nut, 1"-8
57	---	1	<a href="#">See "Inner Truss Support" on page P55</a>
58	---	1	<a href="#">See "Inner Truss Support" on page P55</a>
59	---	---	---
60	GD14671	2	U-Bolt, 3" x 3" x 5/8"-11
61	G11415	4	Serrated Flange Nut, 5/8"-11
62	G11802	4	Hex Head Cap Screw, 1/2"-13 x 1 1/2", Grade 8
63	G11511	4	Lock Nut, 1/2"-13

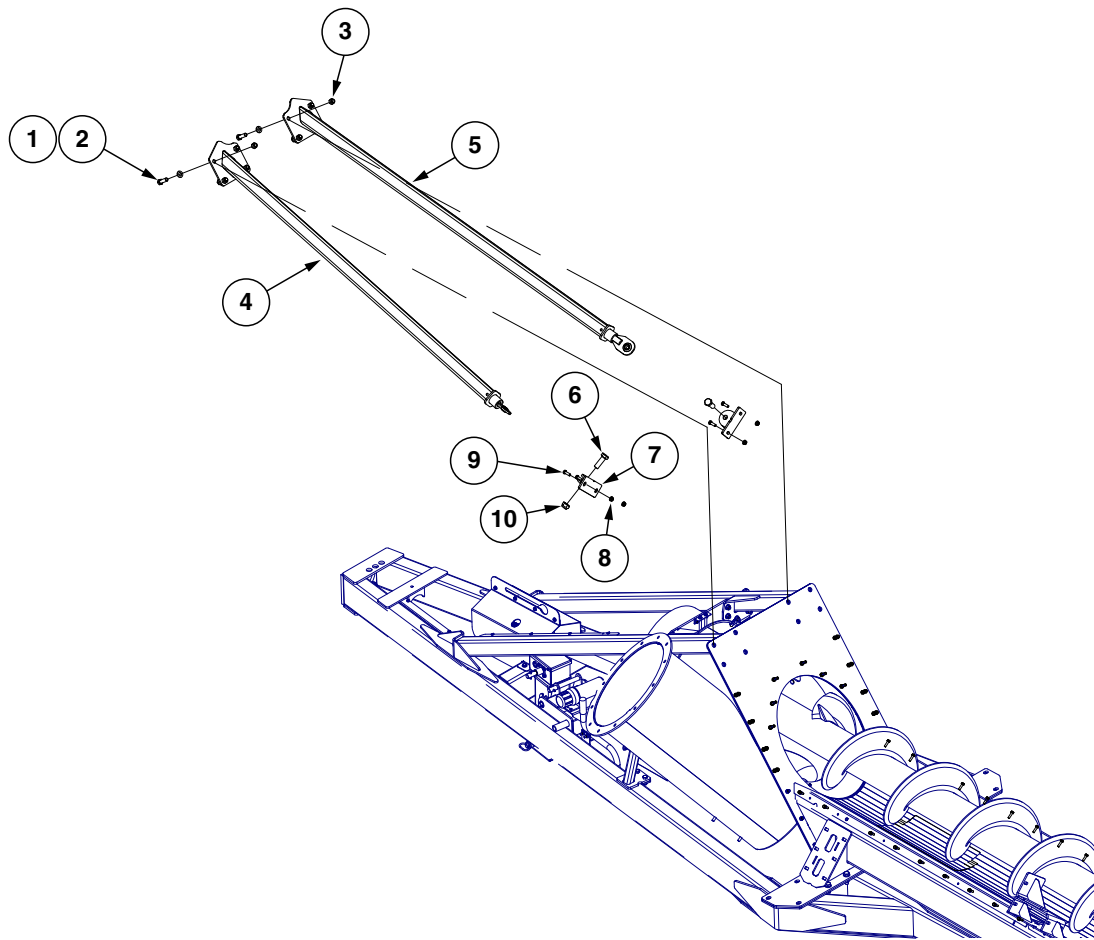
**This page left blank intentionally.**

(IP1363-1)



ITEM	PART NO.	QTY.	DESCRIPTION
1	G10027 G11392	8 8	Hex Head Cap Screw, 3/4"-10 x 2 1/2" Flat Washer, 3/4" SAE
2	G10112	8	Lock Nut, 3/4"-10
3	GA16815	1	<a href="#">See "Inner Truss Support" on page P55</a>
4	GA16814	1	<a href="#">See "Inner Truss Support" on page P55</a>
5	G10017	18	Hex Head Cap Screw, 1/2"-13 x 1 1/2"
6	G10071	4	Serrated Flange Nut, 1/2"-13
7	GA16498	1	Lower Tank Side (1721 Flotation)
8	GA16030	1	Rear Tank Corner
9	G11091	80	Serrated Flange Nut, 3/8"-16
10	G10599	80	Carriage Bolt, 3/8"-16 x 1 1/4"
11	GA16029	1	Rear Tank Corner
12	GA16497	1	Lower Tank Side (1721 Flotation)
13	GA16021	1	Front Corner Tank
14	G10111	28	Lock Nut, 1/2"-13
15	GD29559 GD29560	2 2	Lower Clamp Plate, L.H. Lower Clamp Plate, R.H.
16	GA16022	1	Front Tank Corner

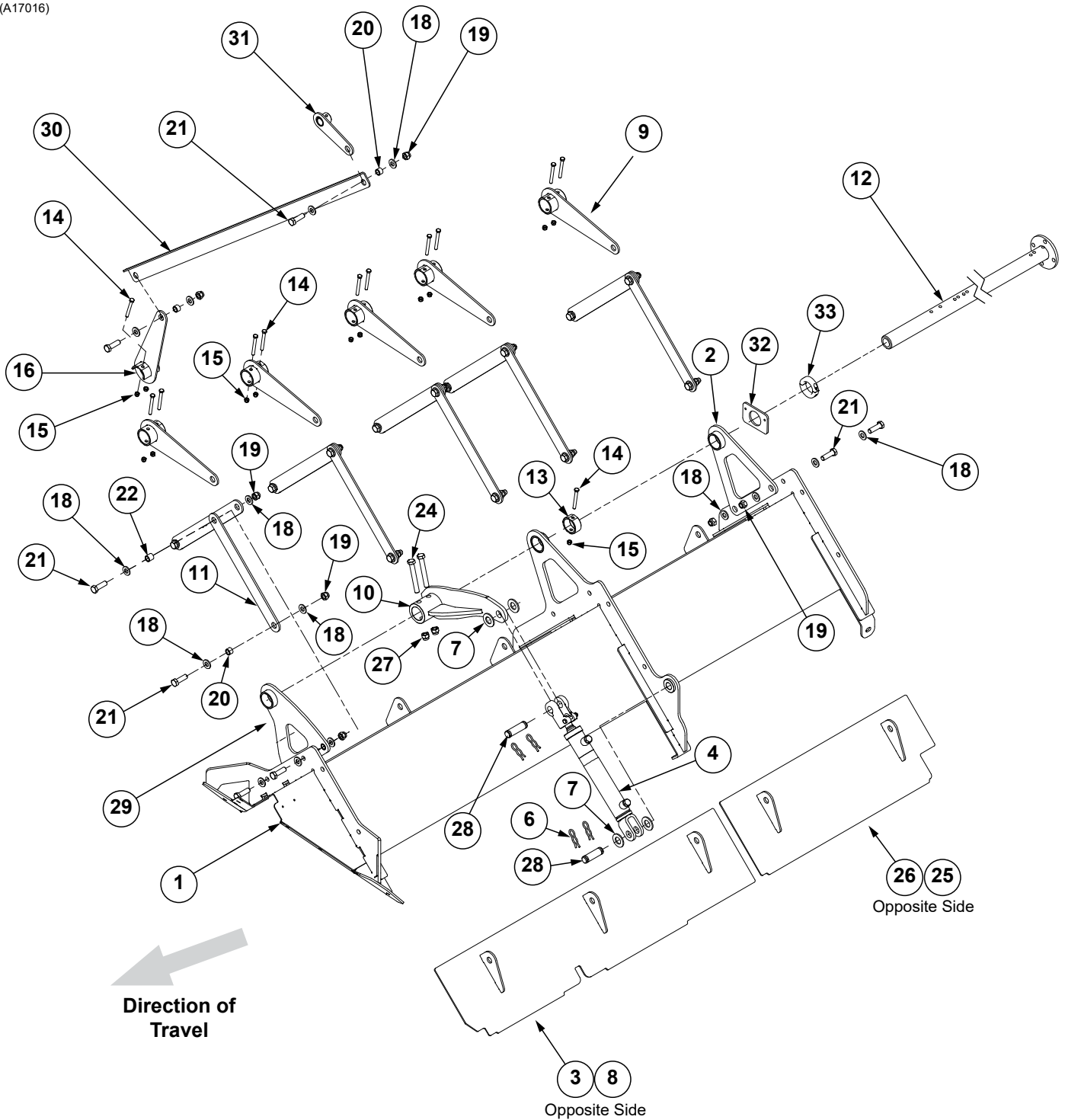
(TP1335)



ITEM	PART NO.	QTY.	DESCRIPTION
1	G11392	8	Flat Washer, 3/4" SAE
2	G10027	8	Hex Head Cap Screw, 3/4"-10 x 2 1/2"
3	G10112	8	Lock Nut, 3/4"-10
4	GA21663	1	Lower Tub Truss Support Assembly (1321)
	GA21665	1	Lower Tub Truss Support Assembly (1421/1521)
	GA21669	1	Lower Tub Truss Support Assembly (1721)
	GA20224	1	Ball Joint Assembly
5	GA21662	1	Lower Tub Truss Support Assembly (1321)
	GA21664	1	Lower Tub Truss Support Assembly (1421/1521)
	GA21668	1	Lower Tub Truss Support Assembly (1721)
	GA20224	1	Ball Joint Assembly
6	G10119	2	Hex Head Cap Screw, 1"-8 x 3"
7	GA21006	2	Pivot Bracket (1321)
	GA20225	2	Pivot Bracket (1421/1521)
	GA20230	2	Pivot Bracket (1721)
8	G10071	4	Serrated Flange Nut, 1/2"-13
9	G10017	2	Hex Head Cap Screw, 1/2"-13 x 1 1/2"
10	G10396	2	Lock Nut, 1"-8

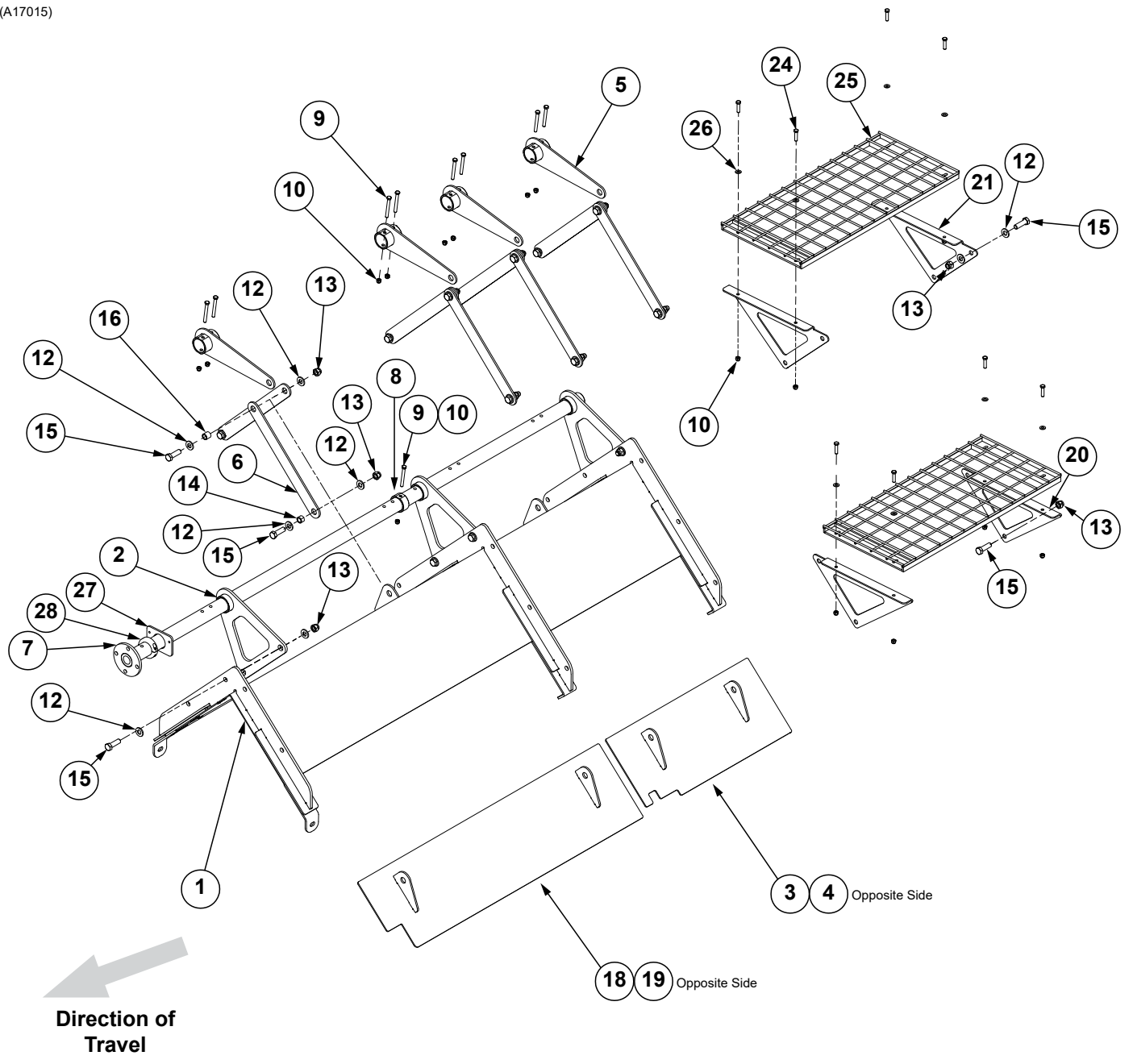
**This page left blank intentionally.**

(A17016)



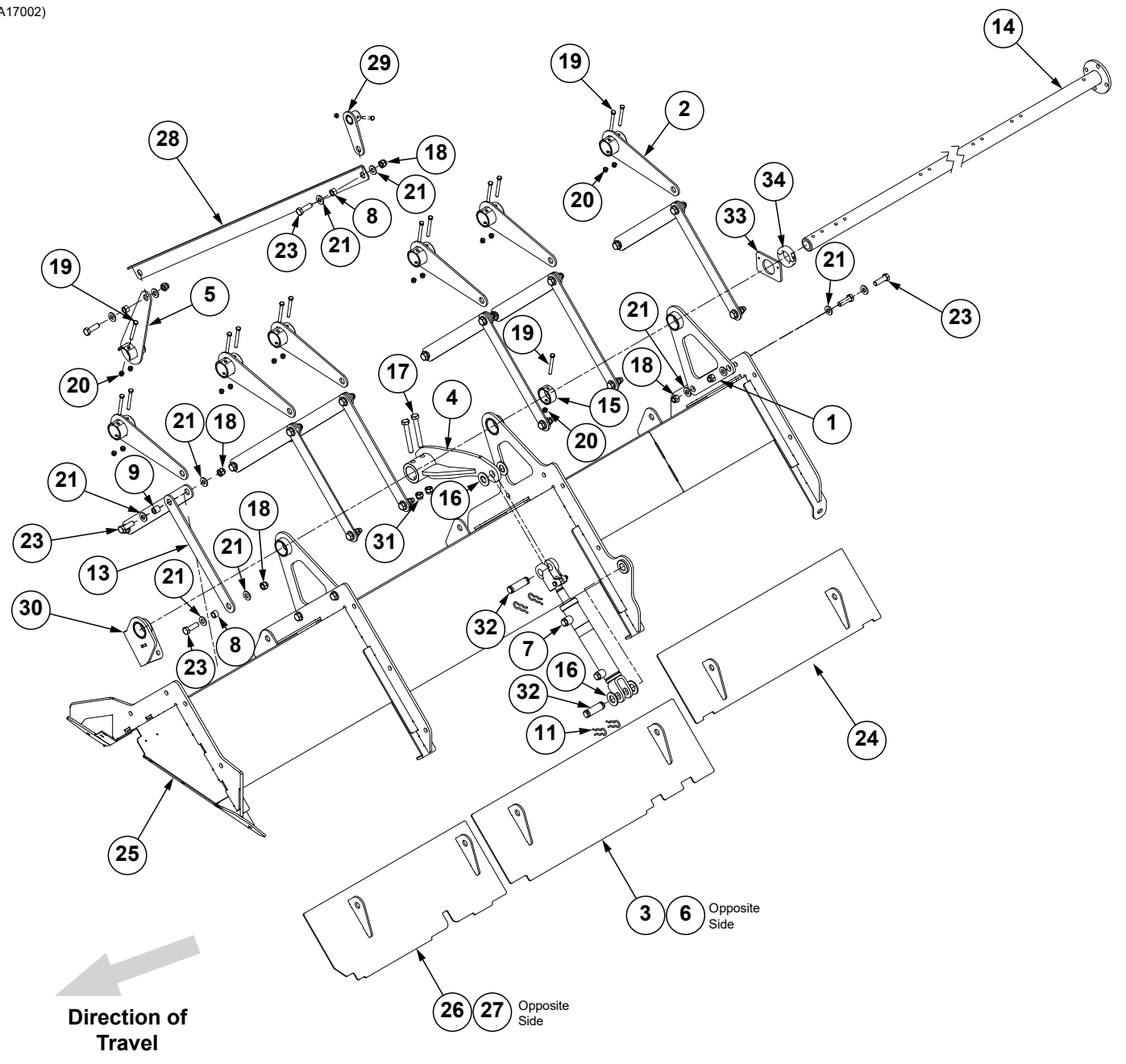
ITEM	PART NO.	QTY.	DESCRIPTION
1	GA16733	1	Front Flow Gate Funnel
2	GA16318	1	Crank Tube Support
3	GA17169 GA17166	1 -	Front Flow Gate (Flotation) (Shown) Front Flow Gate (Track)
4	GA17220	1	<a href="#">See "Hydraulic Flow Gate, Front Assembly (1721)" on page P65</a>
5	---	---	---
6	GR0193	4	Hair Pin Clip
7	G11394	4	Flat Washer, 1" SAE
8	GA17170 GA17167	1 -	Front Flow Gate (Flotation) (Shown) (Opposite Side) Front Flow Gate (Track) (Opposite Side)
9	GA16319	5	Crank Arm
10	GA17242	1	Cylinder Crank Arm
11	GD23672	10	Door Linkage Plate
12	GA20089	1	Front Torque Tube (1321)
13	GD23679	1	Locating Ring, 2"
14	G10809	13	Hex Head Cap Screw, 3/8"-16 x 3 1/4"
15	G10108	13	Lock Nut, 3/8"-16
16	GA16625	1	Sight Gauge Link
17	---	---	---
18	G11391	42	Flat Washer, 5/8" SAE
19	G10107	21	Lock Nut, 5/8"-11
20	GB0218	12	Bushing, 2 1/32" I.D. x 7/8" O.D. x 1 9/32" Long
21	G10008	21	Hex Head Cap Screw, 5/8"-11 x 2"
22	GB0654	5	Bushing
23	---	---	---
24	G11509	2	Hex Head Cap Screw, 5/8"-11 x 4 1/2", Grade 8
25	GA16912	1	Front Door (Track) (Opposite Side)
26	GA16911	1	Front Door (Track)
27	G11510	2	Locknut, 5/8"-11, Grade 8
28	GR0375	2	Hair Pin Clip
29	GA17270	1	Crank Tube Support
30	GD24118	1	Indicator Actuator
31	GA17246	1	Sight Gauge Link
32	GD23979	1	Tube Cover Plate
33	GD25306	1	Clamp Collar, 2"

(A17015)



ITEM	PART NO.	QTY.	DESCRIPTION
1	GA16730	1	Rear Tunnel
2	GA16318	3	Crank Tube Support
3	GA16772	1	Rear Flow Gate
4	GA16773	1	Rear Flow Gate (Opposite side)
5	GA16319	4	Crank Arm
6	GD23672	8	Door Linkage Plate
7	GA20090	1	Rear Torque Tube (1321)
8	GD23679	1	Locating Ring, 2"
9	G10809	9	Hex Head Cap Screw, 3/8"-16 x 3 1/4"
10	G10108	17	Lock Nut, 3/8"-16
11	---	---	---
12	G11391	36	Flat Washer, 5/8" SAE
13	G10107	24	Lock Nut, 5/8"-11
14	GB0218	8	Bushing, 2 1/32" I.D. x 7/8" O.D. x 1 9/32" Long
15	G10008	24	Hex Head Cap Screw, 5/8"-11 x 2"
16	GB0654	4	Bushing
17	---	---	---
18	GA16861	1	Front Rear Flow Gate (Flotation) (Shown)
	GA16732	-	Front Rear Flow Gate (Track)
19	GA16855	1	Mid Front Flow Gate (Flotation) (Shown) (Opposite Side)
	GA16731	-	Front Rear Gate (Track) (Opposite Side)
20	GD24011	2	L.H. Safety Screen Bracket
21	GD24014	2	R.H. Safety Screen Bracket
22	---	---	---
23	---	---	---
24	G10003	8	Hex Head Cap Screw, 3/8"-16 x 1 1/2"
25	GA18554	2	Rear Safety Gate
26	G11387	8	Flat Washer, 3/8" SAE
27	GD23979	1	Tube Cover Plate
28	GD25306	1	Clamp Collar, 2"

(A17002)



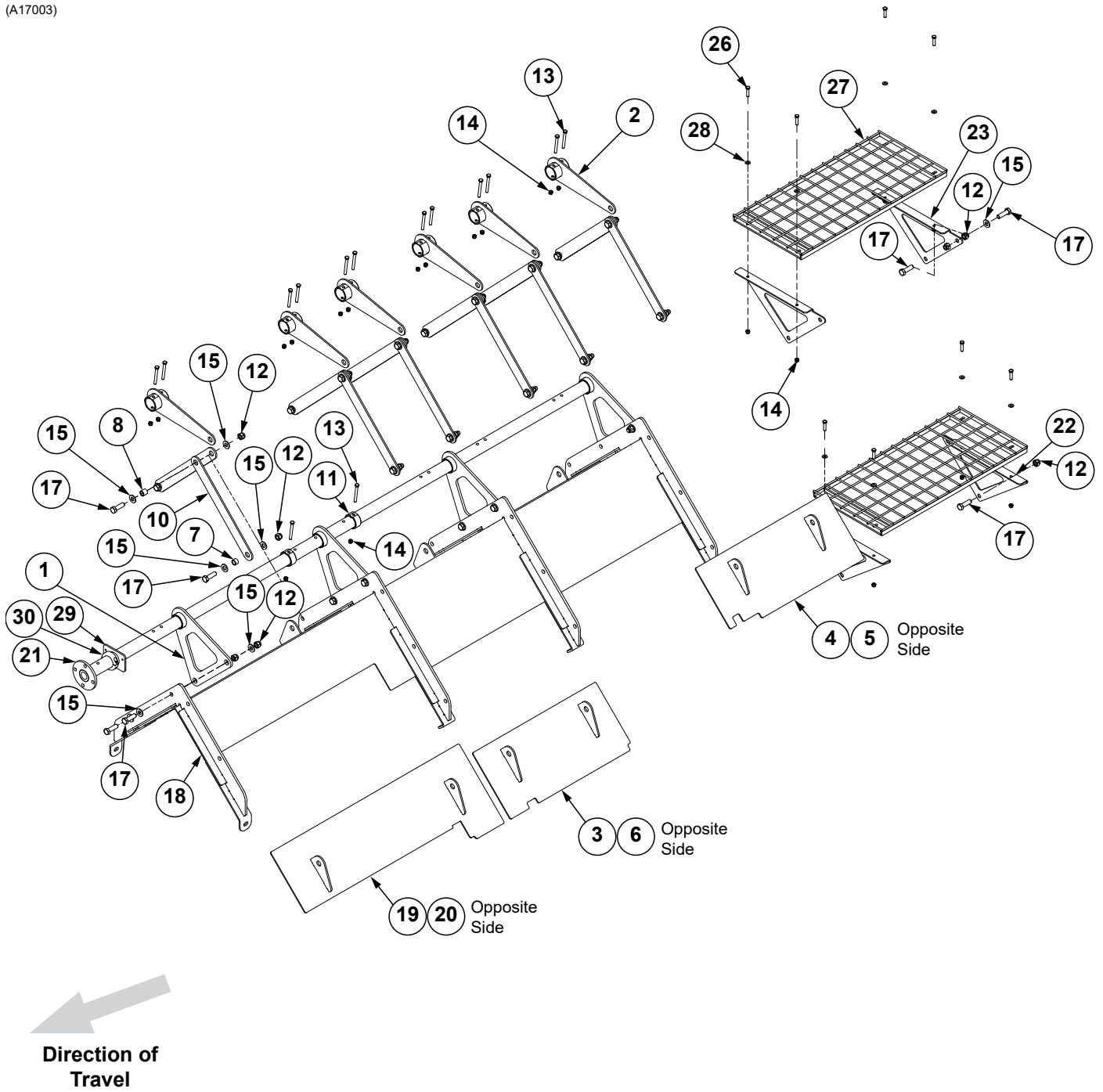
## Hydraulic Flow Gate, Front Assembly (1421/1521)

M0316-02

Grain Cart

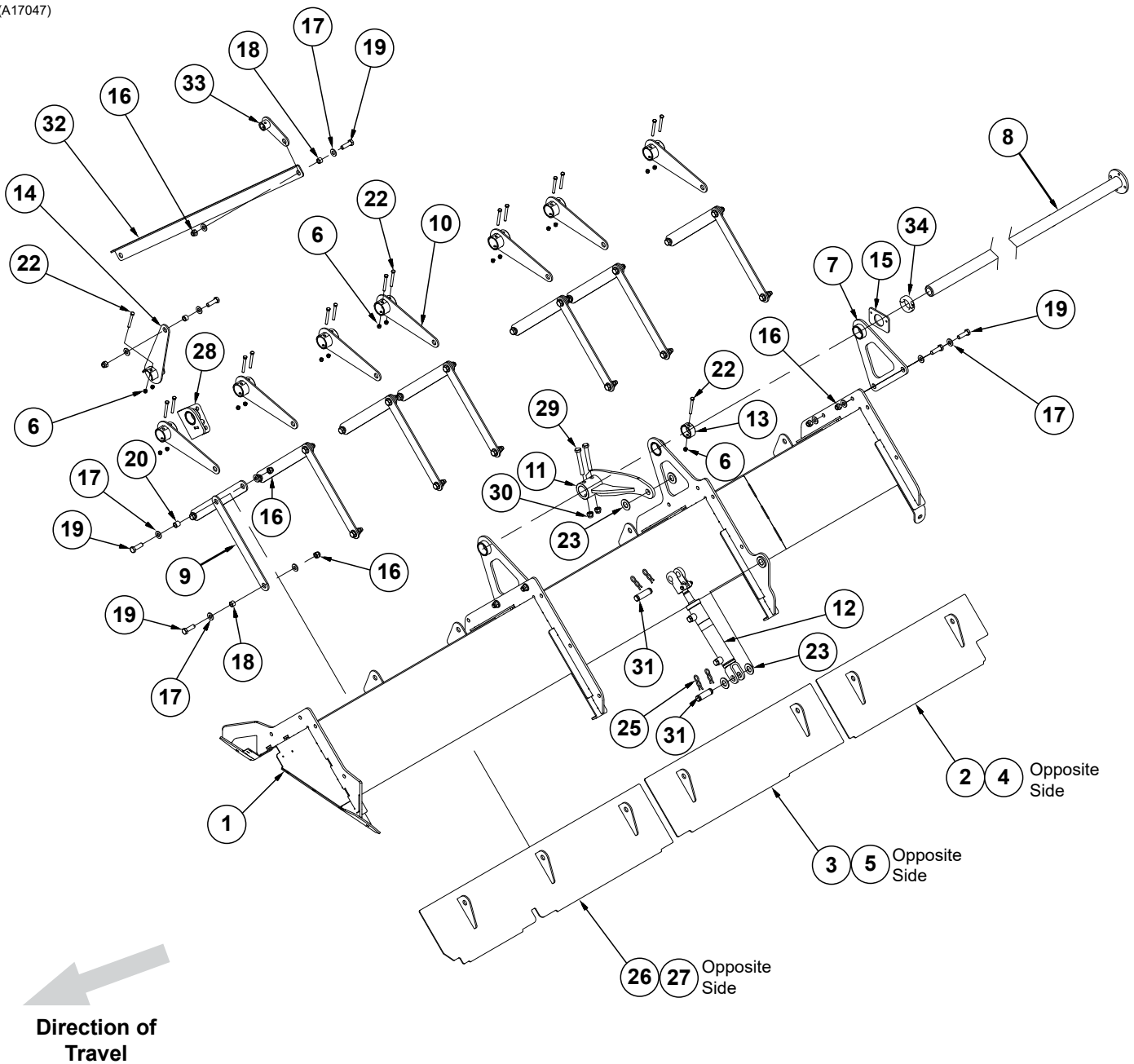
ITEM	PART NO.	QTY.	DESCRIPTION
1	GA16318	2	Crank Tube Support
2	GA16319	6	Crank Arm
3	GA16774	1	Mid Front Flow Gate
4	GA17242	1	Cylinder Crank Arm
5	GA16625	1	Sight Gauge Link
6	GA16775	1	Mid Front Flow Gate
7	GA17237	1	<a href="#">See "Hydraulic Flow Gate Cylinder" on page P111</a>
8	GB0218	14	Bushing, <sup>21</sup> / <sub>32</sub> " I.D. x <sup>7</sup> / <sub>8</sub> " O.D. x <sup>19</sup> / <sub>32</sub> " Long
9	GB0654	6	Bushing
10	---	---	---
11	GR0193	4	Hair Pin Clip
12	---	---	---
13	GD23672	12	Door Linkage Plate
14	GA20091	1	Front Torque Tube
15	GD23679	1	Locating Ring, 2"
16	G11394	4	Flat Washer, 1" SAE
17	G11509	2	Hex Head Cap Screw, <sup>5</sup> / <sub>8</sub> "-11 x 4 <sup>1</sup> / <sub>2</sub> ", Grade 8
18	G10107	24	Lock Nut, <sup>5</sup> / <sub>8</sub> "-11
19	G10809	15	Hex Head Cap Screw, <sup>3</sup> / <sub>8</sub> "-16 x 3 <sup>1</sup> / <sub>4</sub> "
20	G10108	15	Lock Nut, <sup>3</sup> / <sub>8</sub> "-16
21	G11391	48	Flat Washer, <sup>5</sup> / <sub>8</sub> " SAE
22	---	---	---
23	G10008	24	Hex Head Cap Screw, <sup>5</sup> / <sub>8</sub> "-11 x 2"
24	GA16320 GA16911	1	Front Rear Door (1421/1521 Flotation) Front Rear Door (1421/1521 Tracks)
25	GA16767 GA16650	1	Front Tunnel (1421/1521 Flotation) Front Tunnel (1421/1521 Tracks)
26	GA17234	1	Front Flow Gate
27	GA17235	1	Front Flow Gate
28	GD24118	1	Indicator Actuator
29	GA16624	1	Sight Gauge Link
30	GA17081	1	Tube Support
31	G11510	1	Locknut, <sup>5</sup> / <sub>8</sub> "-11, Grade 8
32	GR0375	2	Pin, 1" x 3 <sup>1</sup> / <sub>2</sub> "
33	GD23979	1	Cover Plate Tube
34	GD25306	1	Clamp Collar, 2"
34	GD23979	1	Tube Cover Plate
35	GD25306	1	Clamp Collar, 2"

(A17003)



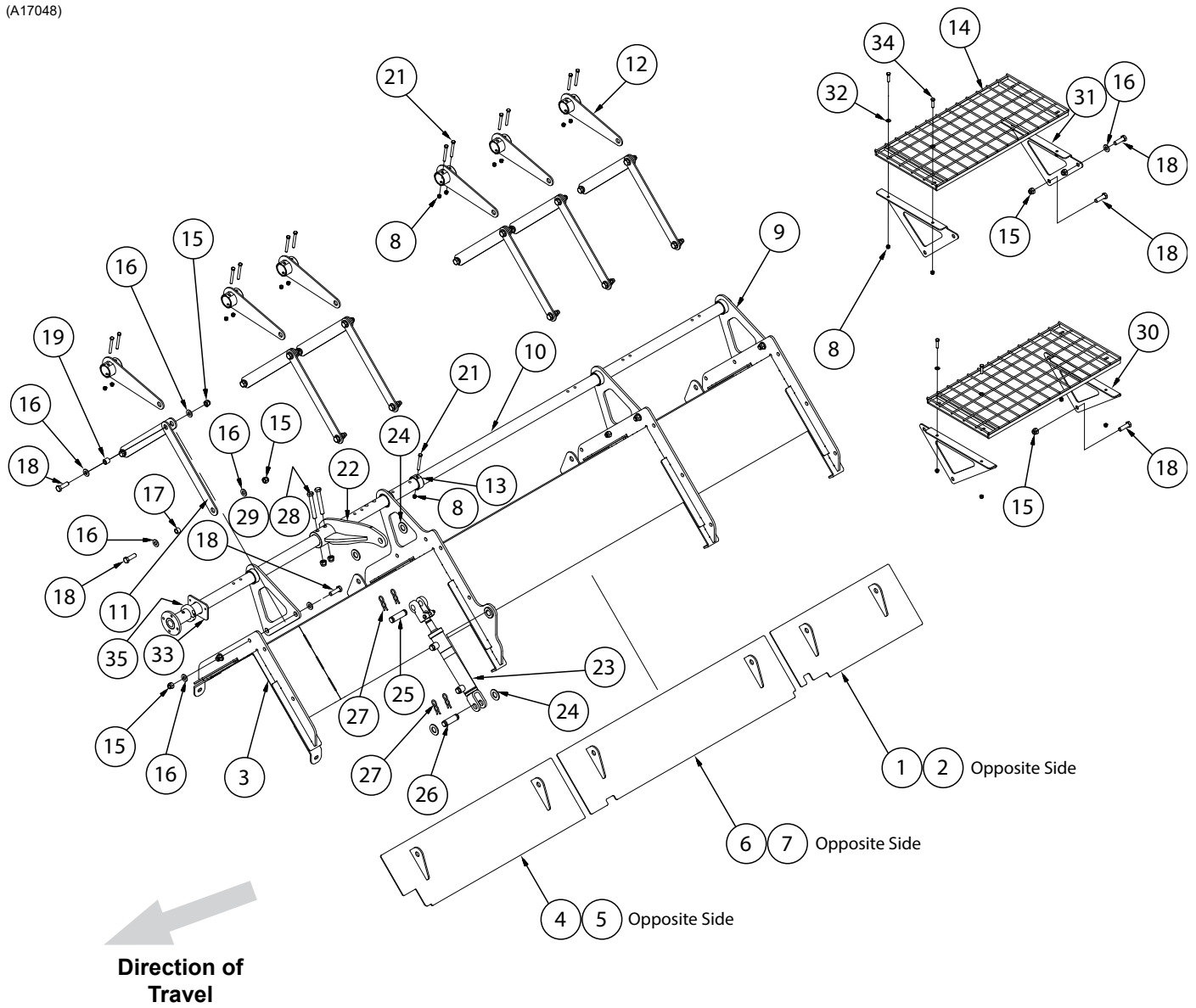
ITEM	PART NO.	QTY.	DESCRIPTION
1	GA16318	4	Crank Tube Support
2	GA16319	6	Crank Arm
3	GA16770	1	Mid Flow Gate
4	GA16772	1	Rear Flow Gate
5	GA16773	1	Rear Flow Gate
6	GA16771	1	Mid Flow Gate
7	GB0218	12	Bushing, $2\frac{1}{32}$ " I.D. x $\frac{7}{8}$ " O.D. x $1\frac{19}{32}$ " Long
8	GB0654	6	Bushing
9	GB0672	8	Bushing
10	GD23672	12	Door Linkage Plate
11	GD23679	2	Locating Ring, 2"
12	G10107	32	Lock Nut, $\frac{5}{8}$ "-11
13	G10809	14	Hex Head Cap Screw, $\frac{3}{8}$ "-16 x $3\frac{1}{4}$ "
14	G10108	22	Lock Nut, $\frac{3}{8}$ "-16
15	G11391	50	Flat Washer, $\frac{5}{8}$ " SAE
16	---	---	---
17	G10008	32	Hex Head Cap Screw, $\frac{5}{8}$ "-11 x 2"
18	GA16768 GA16651	1	Rear Tunnel (1421/1521 Flotation) Rear Tunnel (1421/1521 Tracks)
19	GA16765 GA16653	1	Front Flow Gate Door (1421/1521 Flotation) Front Flow Gate Door (1421/1521 Tracks)
20	GA16766 GA16652	1	Front Flow Gate Door (1421/1521 Flotation) Front Flow Gate Door (1421/1521 Tracks)
21	GA20092	1	Rear Torque Tube
22	GD24011	2	L.H. Safety Screen Bracket
23	GD24014	2	R.H. Safety Screen Bracket
24	---	---	---
25	---	---	---
26	G10003	8	Hex Head Cap Screw, $\frac{3}{8}$ "-16 x $1\frac{1}{2}$ "
27	GA18554	2	Rear Safety Gate
28	G11387	8	Flat Washer, $\frac{3}{8}$ " SAE
29	GD23979	1	Tube Cover Plate
30	GD25306	1	Clamp Collar, 2"

(A17047)



ITEM	PART NO.	QTY.	DESCRIPTION
1	GA16938	1	Front Tunnel
2	GA16911	1	Front Rear Door
3	GA17038	1	Mid Front Flow Gate
4	GA16912	1	Front Rear Door (Opposite Side)
5	GA17039	1	Mid Front Flow Gate (Opposite Side)
6	G10108	17	Lock Nut, 3/8"-16
7	GA16318	2	Crank Tube Support
8	GA20093	1	Front Torque Tube (1721)
9	GD23672	14	Door Linkage Plate
10	GA16319	7	Crank Arm
11	GA17242	1	Cylinder Crank Arm
12	GA17237	1	<a href="#">See "Hydraulic Flow Gate, Front Assembly (1721)" on page P65</a>
13	GD23679	1	Locating Ring, 2"
14	GA16625	1	Sight Gauge Link
15	---	---	---
16	G10107	27	Lock Nut, 5/8"-11
17	G11391	54	Flat Washer, 5/8" SAE
18	GB0218	16	Bushing, 2 1/32" I.D. x 7/8" O.D. x 1 9/32" Long
19	G10008	27	Hex Head Cap Screw, 5/8"-11 x 2"
20	GB0654	7	Bushing
21	---	---	---
22	G10809	17	Hex Head Cap Screw, 3/8"-16 x 3 1/4"
23	G11394	4	Flat Washer, 1" SAE
24	---	---	---
25	GR0193	4	Hair Pin Clip
26	GA17169	1	Front Door Panel
27	GA17170	1	Front Door Panel (Opposite Side)
28	GA17076	1	Tube Support
29	G11509	2	Hex Head Cap Screw, 5/8"-11 x 4 1/2", Grade 8
30	G11510	2	Locknut, 5/8"-11, Grade 8
31	GR0375	2	Pin, 1" x 3 1/2"
32	GD24118	1	Indicator Actuator
33	GA16624	1	Sight Gauge Link
34	GD23979	1	Tube Cover Plate
35	GD25306	1	Clamp Collar, 2"

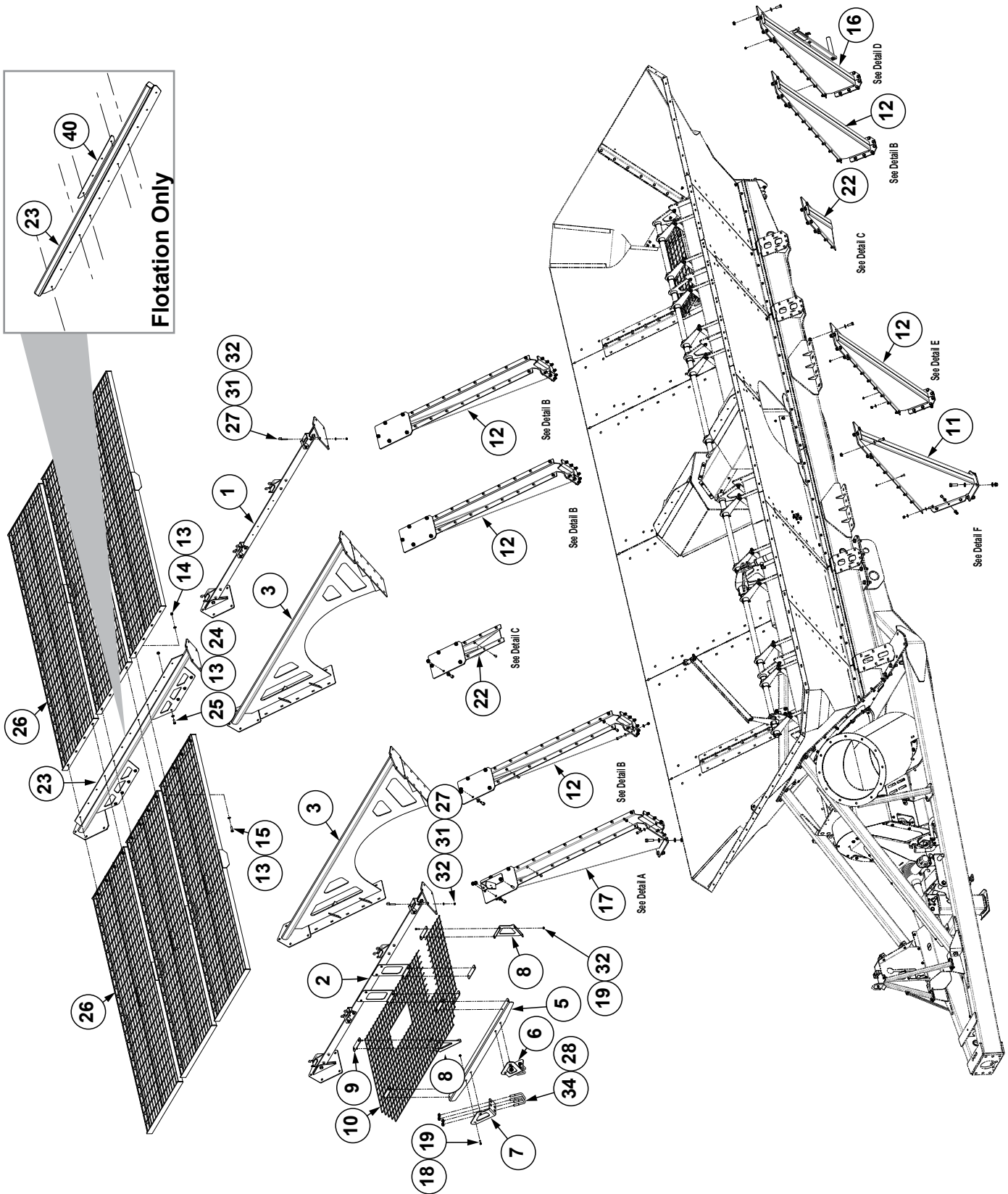
(A17048)

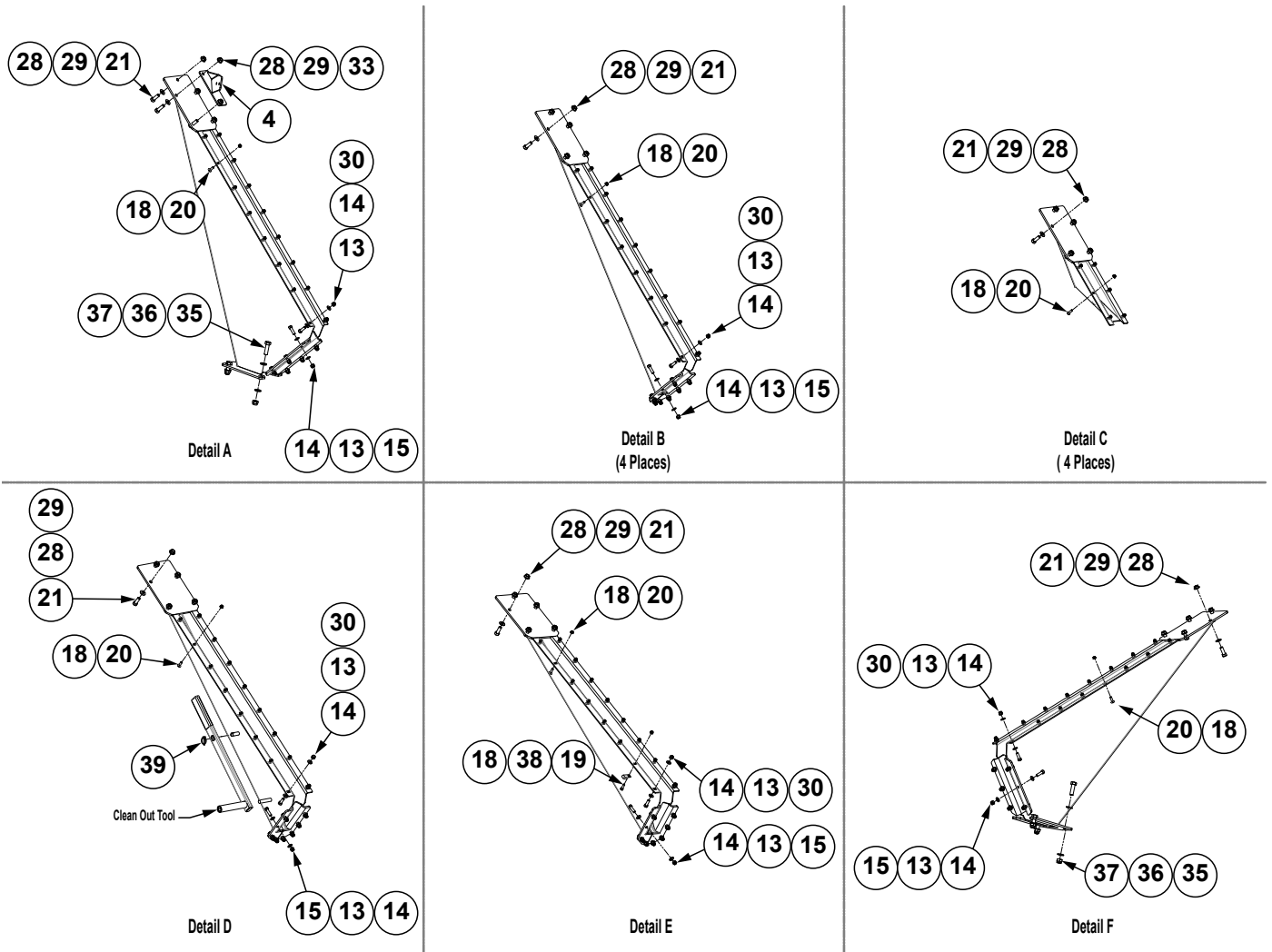


ITEM	PART NO.	QTY.	DESCRIPTION
1	GA16772	1	Rear Flow Gate
2	GA16773	1	Rear Flow Gate (Opposite Side)
2	GA17242	1	Cylinder Crank Arm
3	GA16939	1	Rear Tunnel
4	GA16653	1	Front Flow Gate Door
5	GA16652	1	Front Flow Gate Door (Opposite Side)
6	GA17036	1	Mid Flow Gate
7	GA17037	1	Mid Flow Gate (Opposite Side)
8	G10108	21	Lock Nut, 3/8"-16
9	GA16318	3	Crank Tube Support
10	GA20094	1	Rear Torque Tube (1721)
11	GD23672	12	Door Linkage Plate
12	GA16319	6	Crank Arm
13	GD23679	1	Locating Ring, 2"
14	---	---	---
15	G10107	30	Lock Nut, 5/8"-11
16	G11391	46	Flat Washer, 5/8" SAE
17	GB0218	12	Bushing, 2 1/32" I.D. x 7/8" O.D. x 1 9/32" Long
18	G10008	30	Hex Head Cap Screw, 5/8"-11 x 2"
19	GB0654	6	Bushing
20	---	---	---
21	G10809	13	Hex Head Cap Screw, 3/8"-16 x 3 1/4"
23	GA17237	1	<a href="#">See "Hydraulic Flow Gate, Front Assembly (1721)" on page P65</a>
24	G11394	4	Flat Washer, 1" SAE
25	GR0375	2	Pin, 1" x 3 1/2"
26	---	---	---
27	GR0193	4	Hair Pin Clip
28	G11509	2	Hex Head Cap Screw, 5/8"-11 x 4 1/2", Grade 8
29	G11510	2	Locknut, 5/8"-11, Grade 8
30	GD24011	2	L.H. Safety Screen Bracket
31	GD24014	2	R.H. Safety Screen Bracket
32	---	---	---
33	---	---	---
34	G10003	8	Hex Head Cap Screw, 3/8"-16 x 1 1/2"
35	GA18554	2	Rear Safety Grate
36	G11387	8	Flat Washer, 3/8" SAE
37	GD23979	1	Tube Cover Plate
38	GD25306	1	Clamp Collar, 2"

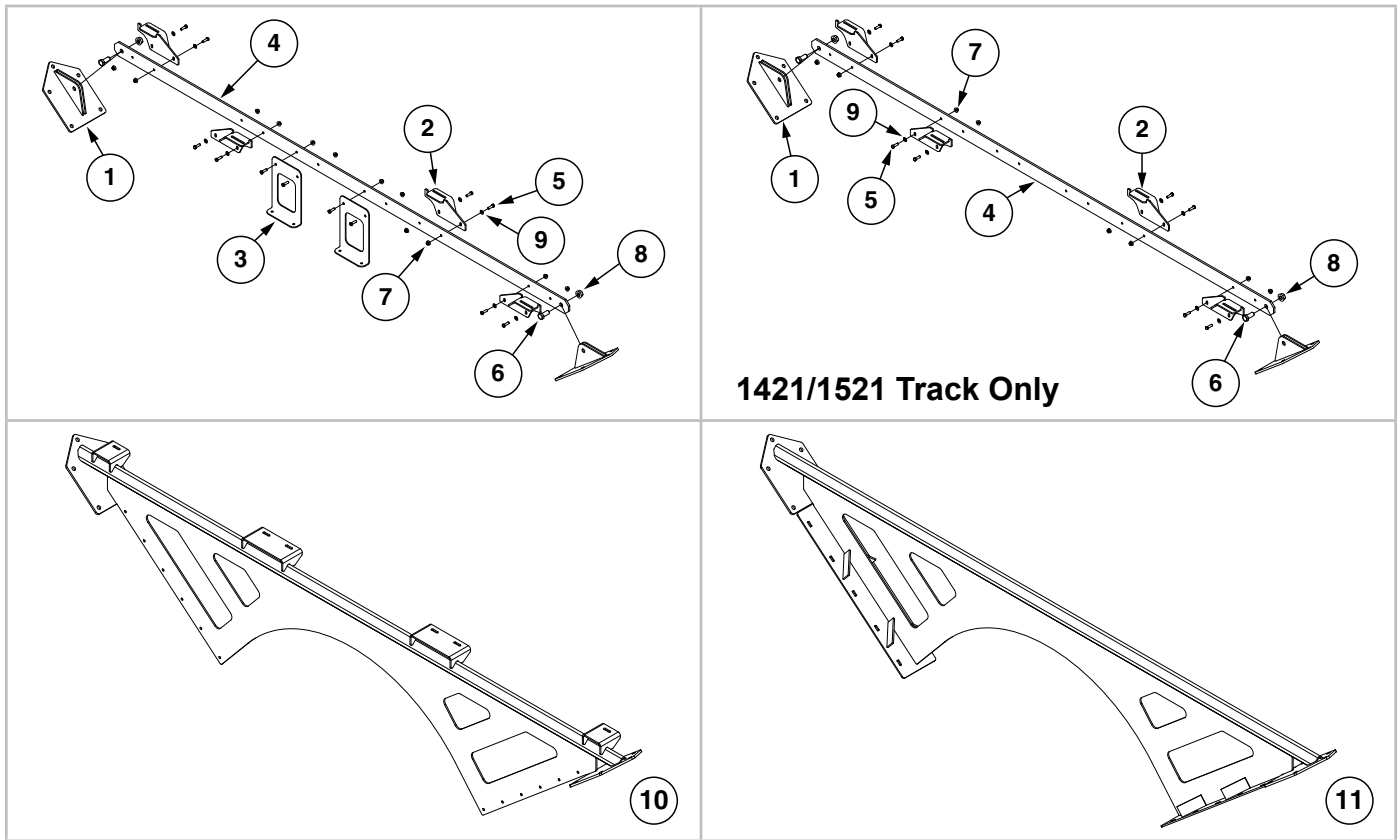
(105770)

1521 Model Shown





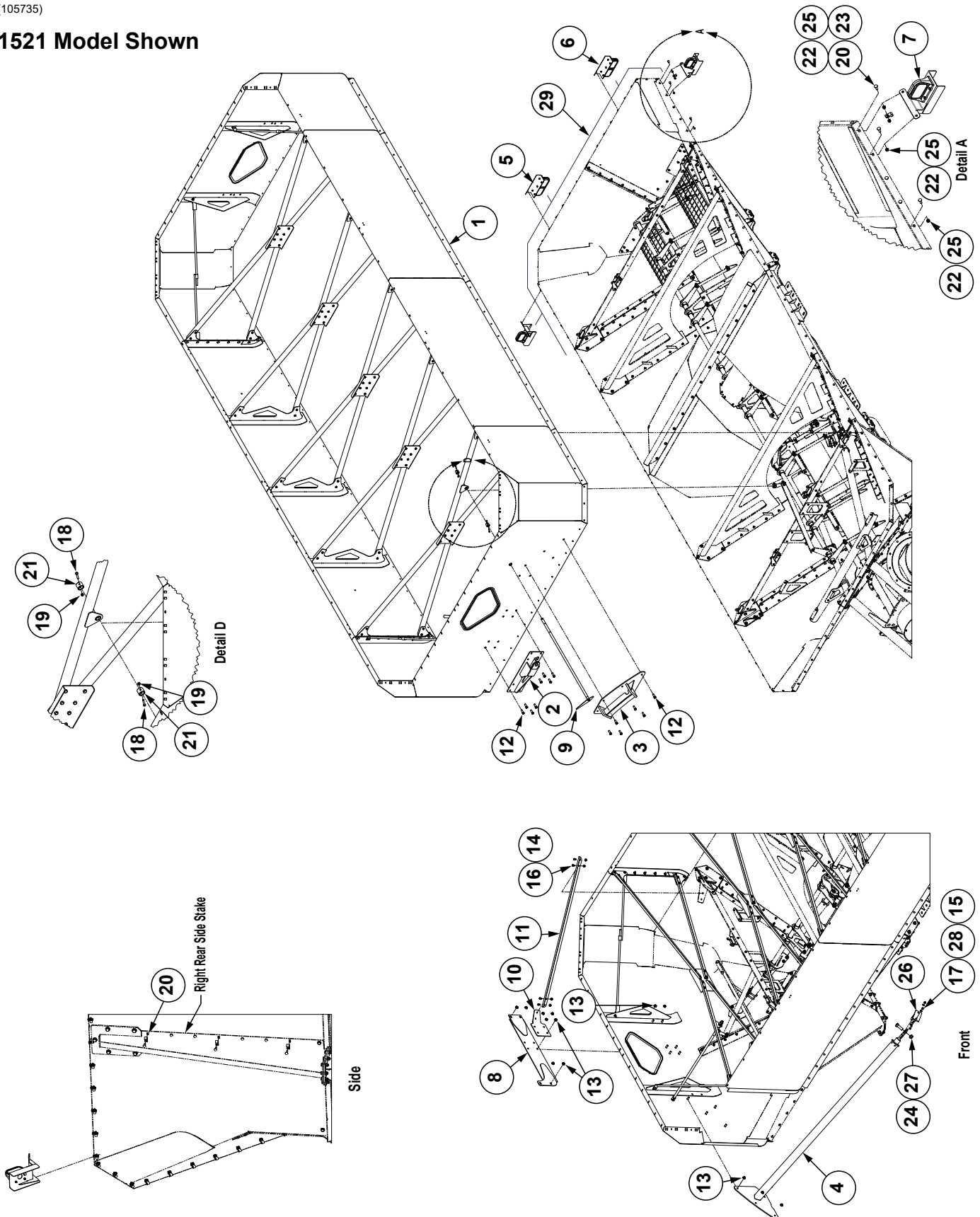
ITEM	PART NO.	QTY.	DESCRIPTION
1	---	1	<a href="#">See "Cross Brace Assemblies" on page P72</a>
2	---	1	<a href="#">See "Cross Brace Assemblies" on page P72</a>
3	GA16727	2	Tank Brace
4	GA16246	1	Stiffener Plate
5	GD24242	1	Front Screen Bracket Bar
6	GD24975	1	L.H. Front Screen Brace
7	GD24976	1	R.H. Front Screen Brace
8	GD24245	2	Rear Screen Brace
9	GD24063	6	Upper Screen Clamp Plate
10	GD36764	1	Front Safety Screen
11	GA16709	1	Front Side Stake, L.H.
12	GA16710	5	Side Stake
13	G11389	184	Flat Washer, 1/2" Plated SAE
14	G10111	88	Lock Nut, 1/2"-13
15	G10039	72	Hex Head Cap Screw, 1/2"-13 x 1 3/4"
16	G10569701	1	Side Stake W/Cleanout Storage
17	GA16278	1	Front Side Stake, R.H.
18	G11091	128	Serrated Flange Nut, 3/8"-16
19	G10004	17	Hex Head Cap Screw, 3/8"-16 x 1 1/4"
20	G10599	123	Carriage Bolt, 3/8"-16 x 1 1/4"
21	G10005	48	Hex Head Cap Screw, 5/8"-11 x 1 3/4"
22	GA16264	2	Mid Side Stake
23	GA19746 GA19740	1 -	Wheel Well Truss (1321/1421/1521/1721 Track) Shown Wheel Well Truss (1321/1421/1521 Flotation)
24	G10037	8	Hex Head Cap Screw, 1/2"-13 X 1 1/4"
25	G10071	8	Serrated Flange Nut, 1/2"-13
26	GA19744 GA19741	6 6	Screen (1321/1421/1521) Screen (1721)
27	GD26963	12	J-Bolt, 3/8"-16 x 3 3/4"
28	G11415	58	Serrated Flange Nut, 5/8"-11
29	G11391	50	Flat Washer, 5/8" SAE
30	G10017	16	Hex Head Cap Screw, 1/2"-13 x 1 1/2"
31	G11387	12	Flat Washer, 3/8" SAE
32	G10108	24	Lock Nut, 3/8"-16
33	G10008	2	Hex Head Cap Screw, 5/8"-11 x 2"
34	GD14671	4	U-Bolt, 3" x 3" x 5/8"-11
35	G10027	6	Hex Head Cap Screw, 3/4"-10 x 2 1/2"
36	G11392	12	Flat Washer, 3/4" SAE
37	G10112	6	Lock Nut, 3/4"-10
38	GD17161	1	Double Insulated Clamp
39	GD2558	1	Lynch Pin, 1/4"
40	GD28192	1	Wheel Well Truss Flange (Flotation Only)



ITEM	PART NO.	QTY.	DESCRIPTION
1	GA14773	-	Cross Brace
2	GA19747	-	Screen Bracket
3	GD24246	-	Screen Mount Bracket
4	GD28198	-	Side Support Brace
5	G10004	-	Hex Head Cap Screw, 3/8"-16 x 1 1/4"
6	G11042	-	Hex Head Cap Screw, 3/4"-10 x 1 3/4"
7	G11091	-	Serrated Flange Nut, 3/8"-16
8	G11314	-	Serrated Flange Nut, 3/4"-10
9	G11387	-	Flat Washer, 3/8" SAE
10	GA19742	-	Tub Brace
11	GA16727	-	Tub Brace (1421/1521)

(105735)

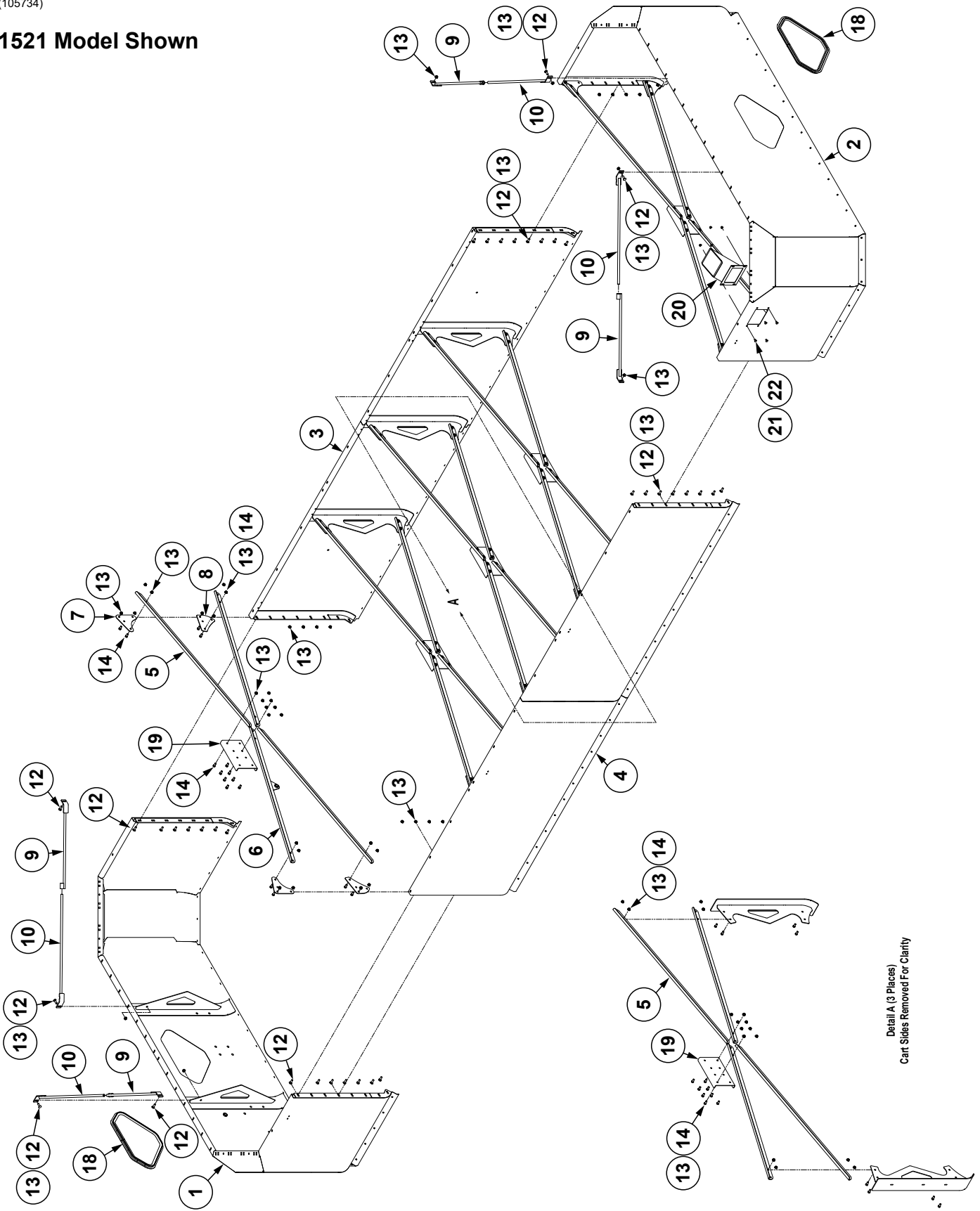
1521 Model Shown



ITEM	PART NO.	QTY.	DESCRIPTION
1	G10573401	1	<a href="#">See "Upper Tank Side Panels and Bracing" on page P75</a>
2	GA16018	1	Auger Cylinder Mount
	GD24413	-	Spring Bushing
3	G10765401	1	Auger Rotate Mount
4	GA21661	1	Upper Tub Truss Support Assembly (1321)
	GA21667	1	Upper Tub Truss Support Assembly (1421/1521)
	GA21666	1	Upper Tub Truss Support Assembly (1721)
	GA20224	1	Ball Joint Assembly
5	---	1	<a href="#">See "Safety/Warning Lights" on page P123</a>
6	---	1	<a href="#">See "Safety/Warning Lights" on page P123</a>
7	---	2	<a href="#">See "Safety/Warning Lights" on page P123</a>
8	GA16718	1	Stiffener Plate
9	GA16694	1	Flow Gate Indicator (1321/1521/1721)
	GA25549	-	Flow Gate Indicator (1421)
10	GD23896	1	Vertical Auger Stiffener Plate
11	GD23897	1	Auger Brace Strap
12	G10005	14	Hex Head Cap Screw, 5/8"-11 x 1 3/4"
13	G11415	14	Serrated Flange Nut, 5/8"-11
14	G10014	4	Hex Head Cap Screw, 1/2"-13 x 1"
15	G11802	2	Hex Head Cap Screw, 1/2"-13 x 1 1/2", Grade 8
16	G10071	4	Serrated Flange Nut, 1/2"-13
17	G11511	2	Lock Nut, 1/2"-13
18	G10041	2	Hex Head Cap Screw, 5/16"-18 x 2"
19	G10109	2	Lock Nut, 5/16"-18
20	GD13348	30	Insulated Clamp, 1 1/16"
21	GD24951	2	Locking Sleeve
22	G10599	106	Carriage Bolt, 3/8"-16 x 1 1/4"
23	G10108	27	Lock Nut, 3/8"-16
24	G10119	1	Hex Head Cap Screw, 1"-8 x 3"
25	G11091	106	Serrated Flange Nut, 3/8"-16
26	GA20225	1	Pivot Bracket
27	G10396	1	Lock Nut, 1"-8
28	G11389	2	Flat Washer, 1/2" Plated SAE
29	G10536501	1	<a href="#">See "Electrical Schematic" on page P121</a>

(105734)

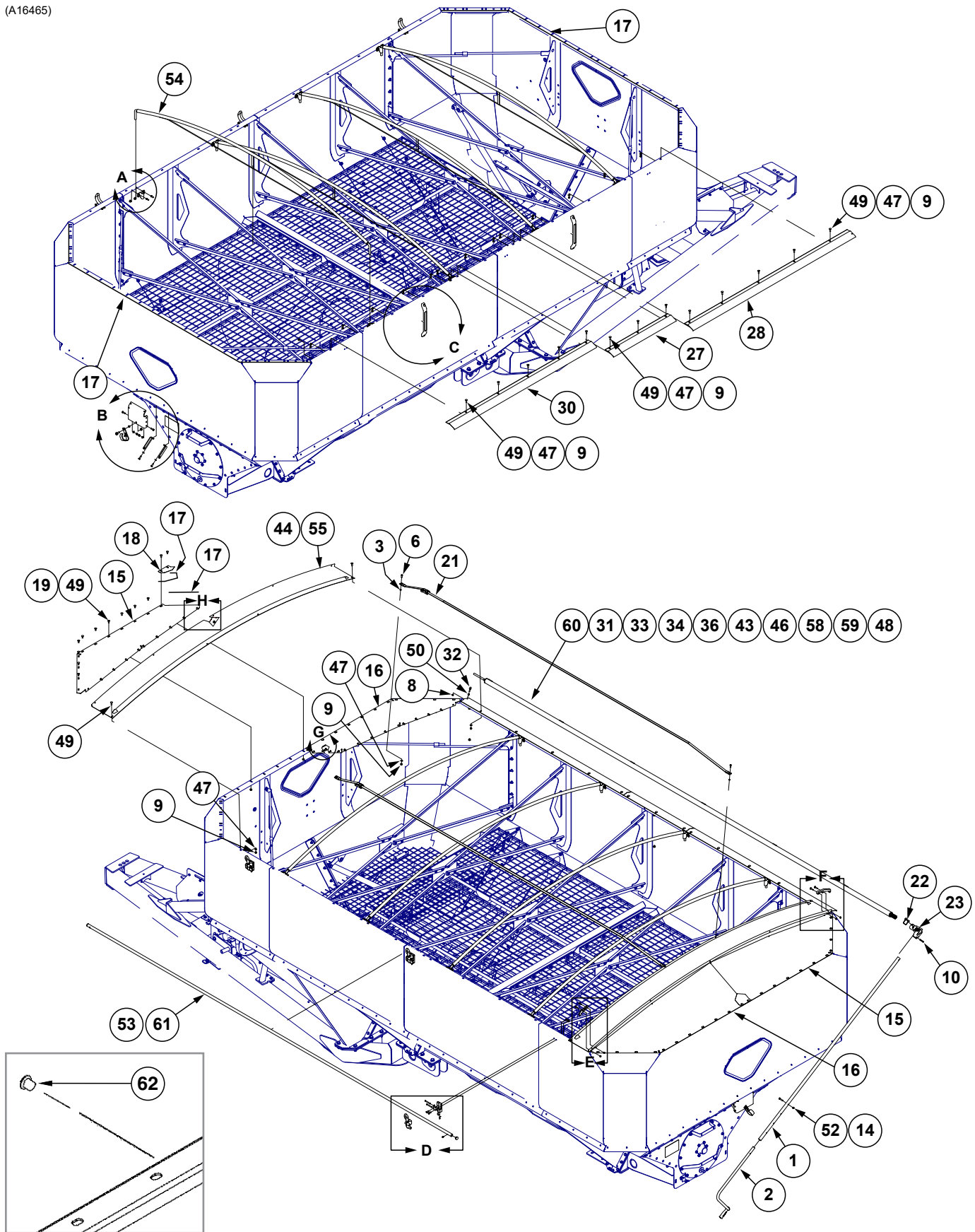
1521 Model Shown



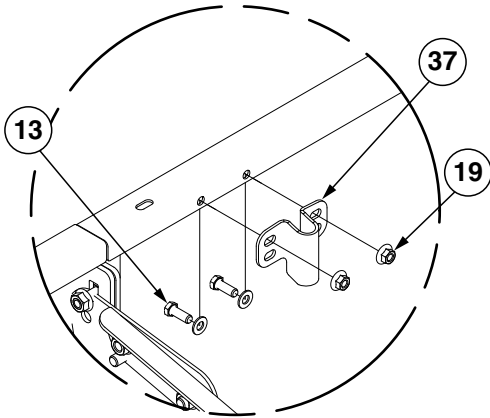
Detail A (3 Places)  
Cart Sides Removed For Clarity

ITEM	PART NO.	QTY.	DESCRIPTION
1	G10571701	1	Front Upper Tank (1321/1521/1721)
	G10572501	-	Front Upper Tank (1421)
2	G11073501	1	Rear Upper Tank (1321/1521/1721)
	G11073701	-	Rear Upper Tank (1421)
3	G10572801	1	Upper Side, R.H. (1321)
	G10574701	-	Upper Side, R.H. (1421)
	G10573301	-	Upper Side, R.H. (1521)
	G10573901	-	Upper Side, R.H. (1721)
4	G10575701	1	Upper Side, L.H. (1321)
	G10576701		Upper Side, L.H. (1421)
	G10576101		Upper Side, L.H. (1521)
	G10573901		Upper Side, L.H. (1721)
5	GD23295	19-27	Cross Brace Strap (1321/1521/1721)
	GD35334	19	Cross Brace Strap (1421)
6	GA16996	1	Flow Gate Indicator Support (1321/1521/1721)
	GA25302	1	Flow Gate Indicator Support (1421)
7	GD23296	4	Upper Cross Plate (1321/1521/1721)
	GD35335	4	Upper Cross Plate (1421)
8	GD23297	4	Lower Cross Plate (1321/1521/1721)
	GD35336	4	Lower Cross Plate (1421)
9	GA15638	4	Rear Side Brace
10	GA16156	4	Panel Brace
12	G10636	36	Carriage Bolt, ½"-13 x 1½"
13	G10071	116	Serrated Flange Nut, ½"-13
14	G10014	80	Hex Head Cap Screw, ½"-13 x 1"
18	GA15624	2	Window
19	GD26682	5	Center Cross Plate (1321/1521/1721)
	GD35337	5	Center Cross Plate (1421)
20	G11073001	1	Tarp Vent
21	G11091	4	Large Serrated Flange Nut, ¾"-16
22	G10308	4	Carriage Bolt, ¾"-16 x ¾"

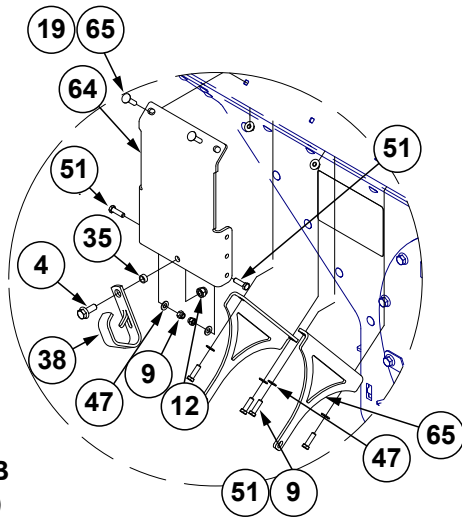
(A16465)



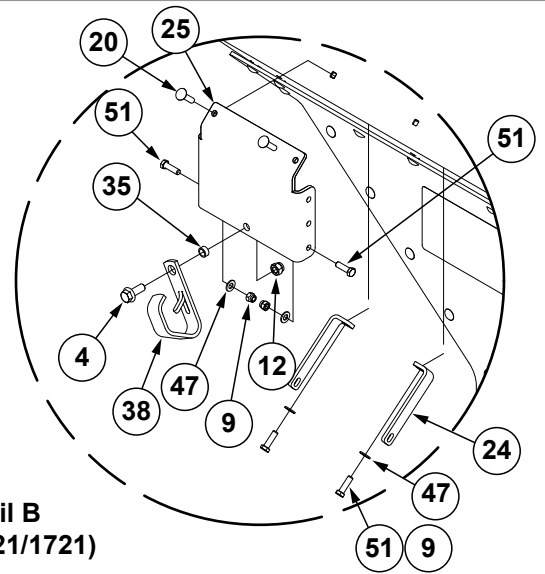
(A16465a)



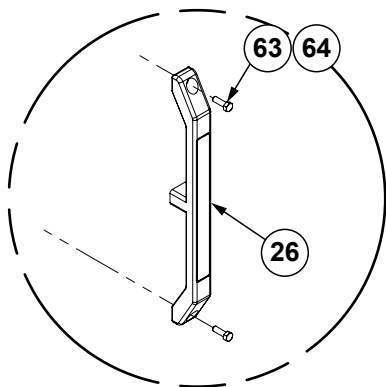
Detail A (8 Places)



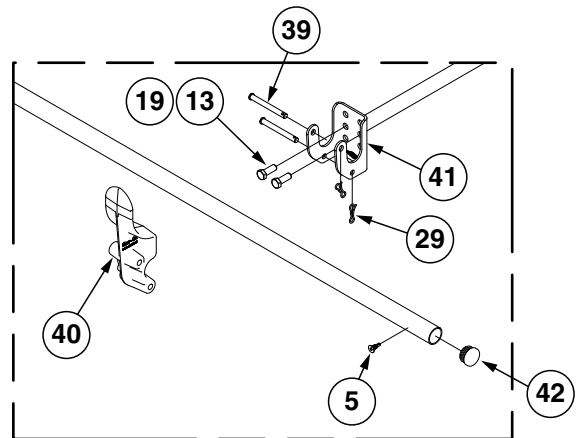
Detail B (1421)



Detail B (1321/1521/1721)

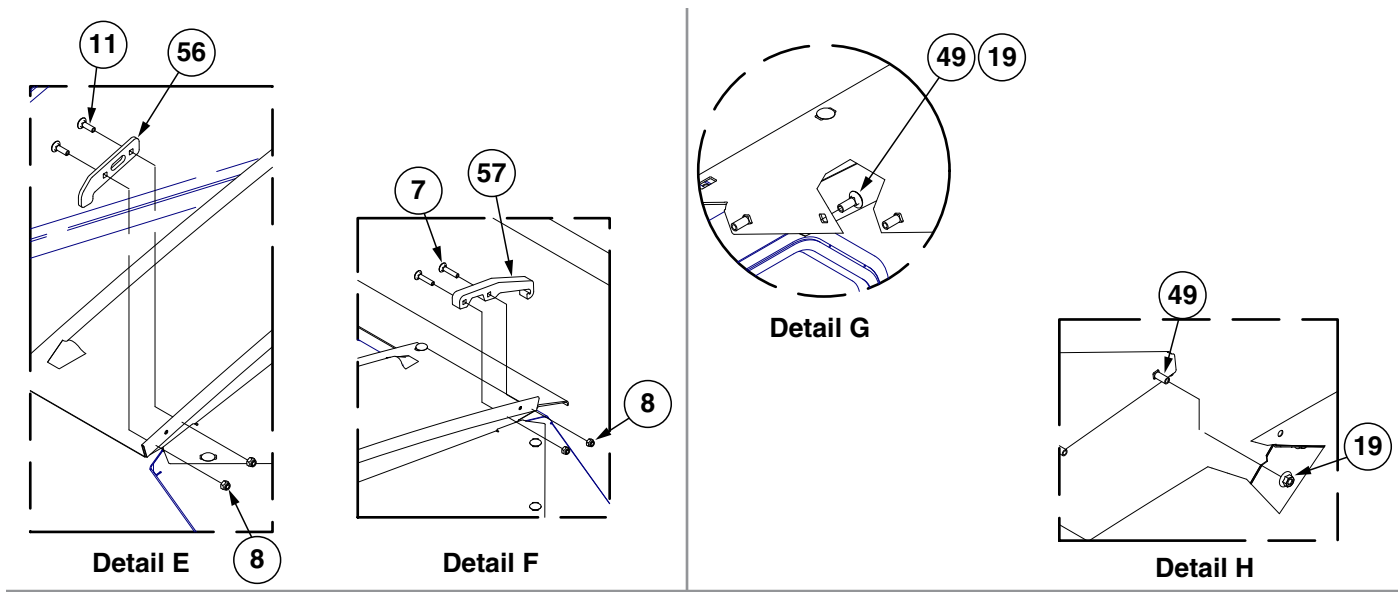


Detail C (3 Places)



Detail D

Continued on following page.

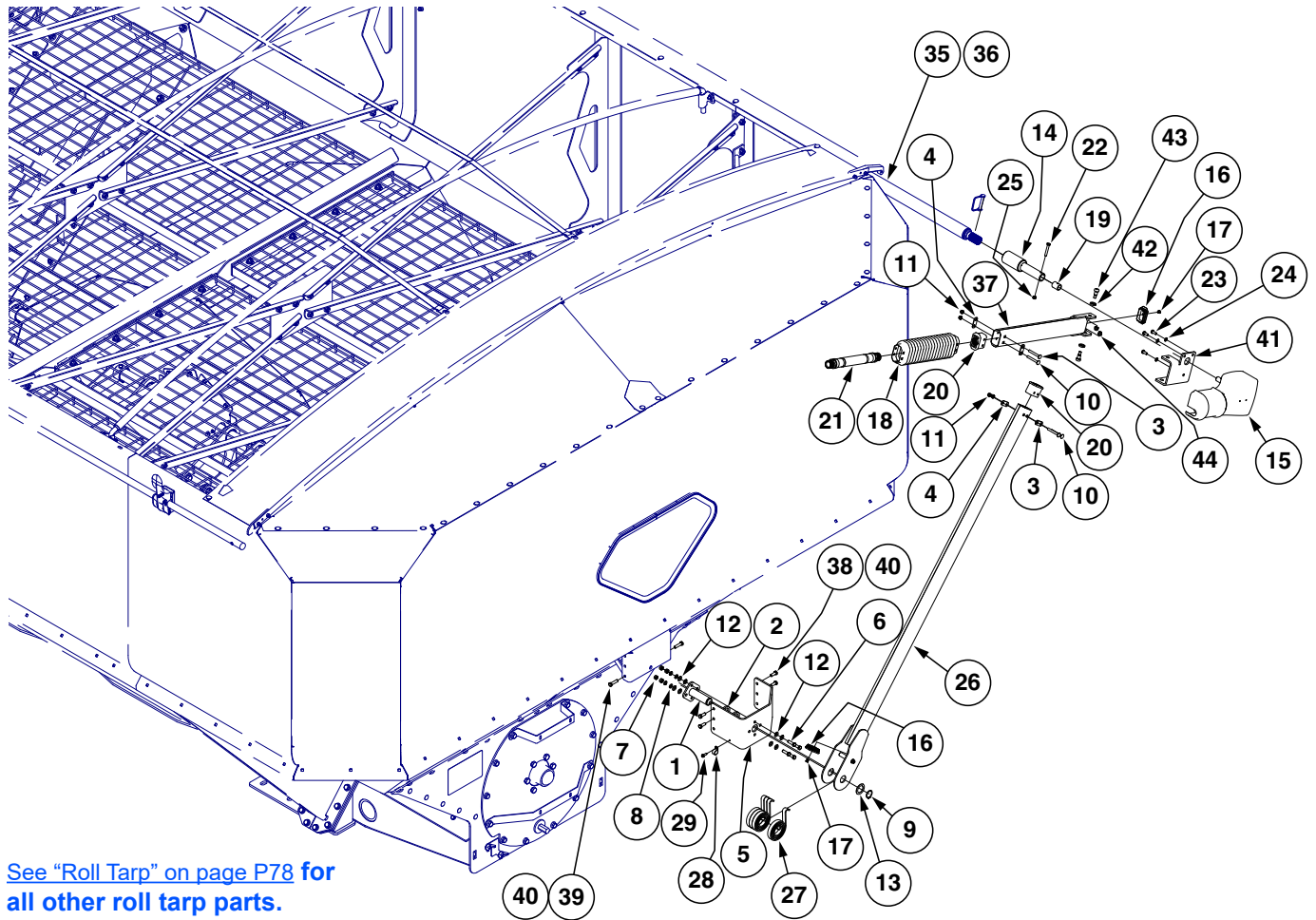


ITEM	PART NO.	QTY.	DESCRIPTION
1	GA21314	1	Upper Crank Pipe, Long
2	GA21313	1	Crank Arm, Short
3	GD19169	4	Anchor Bushing
4	G11724	1	Hex Non-Serrated Flange Cap Screw, 1/2"-13 x 1 1/4", Grade 5
5	G11723	2	Phillips Flat Head Tapping Screw, 1/4"-14 x 3/4"
6	G11721	4	Hex Button Head Cap Screw, 3/8"-16 x 1"
7	G11299	2	Lock Washer, 3/8"
8	G11182	5	Lock Nut W/Nylon Insert, 5/16"-18
9	G10901	23	Lock Nut, 3/8"-16
10	G10610	1	Spring Pin, 3/8" x 2
11	G10303	2	Carriage Bolt, 5/16"-18 x 1"
12	G10111	1	Lock Nut, 1/2"-13
13	G10001	22	Hex Head Cap Screw, 3/8"-16 x 1"
14	G10047	1	Hex Head Cap Screw, 3/8"-16 x 1 3/4"
15	GA16357	2	Tarp End Cap
16	GA16356	2	Tarp End Cap
17	GD25077-01	2	Foam Strip
18	GD23515	2	End Cap Filler
19	G11091	135	Serrated Flange Nut, 3/8"-16
20	G10305	88	Carriage Bolt, 3/8"-16 x 1"
21	GA13443	2	Ridge Strap
22	GA13345	1	Universal Joint Clip
23	GA13344	1	Universal Joint Crank
24	GD27082	2	Crank Support Bar
25	GD27081	1	Crank Retainer Bracket
26	G10590001	2	Roll Tube Deflector
27	GD23849	1	Latch Plate, 37" (1321)
	GD23850	1	Latch Plate, 77" (1421/1521)
	GD23851	2	Latch Plate, 56" (1721)
28	GD23848	1	Front Latch Plate, 96"
29	GD20596	6	Bow Tie Cotter Pin, 1 3/8"

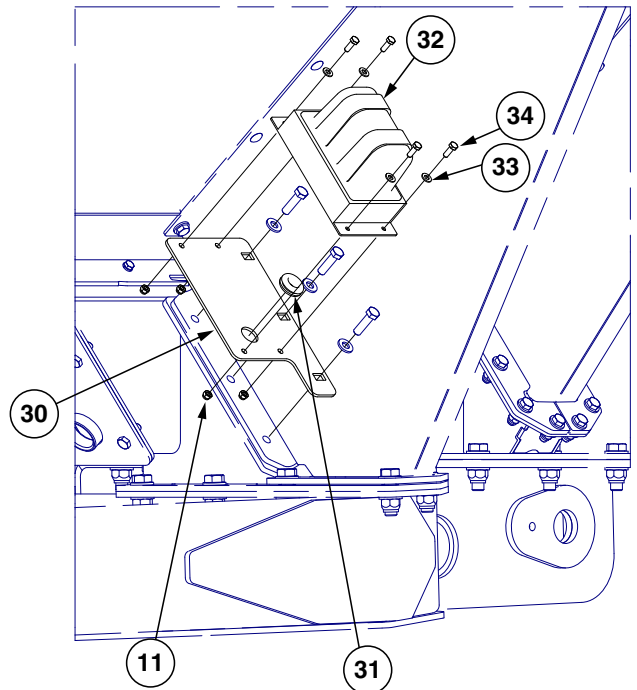
Continued on following page.

ITEM	PART NO.	QTY.	DESCRIPTION
30	GD23847	1	Rear Latch Plate, 84"
31	GD19171	1	Cord Protector
32	GD19067	1	Eye Bolt, 5/16"-18 x 1"
33	GD19068	6	Phillips Pan Head Self-Tapping Screw, 1/4" x 3/4"
34	GD18990	6	Half Round Tarp Clamp
35	GD18987	1	Crank Retainer Bushing
36	GD18986	1	Stretch Cord
37	GD18982	8	Bow Bracket
38	GD18980	1	Crank Retainer Hook
39	GD18978	6	Tarp Stop Pin
40	GD31526	3	Tarp Stop Shank
41	GD18976	3	Tarp Stop Bracket
42	GD18975	2	Fixed Tube End Plug
43	GD18974	1	Roll Tube End Plug
44	G10772001	-	Weather Seal
45	---	---	---
46	G11389	1	Flat Washer, 1/2" Plated SAE
47	G11387	34-52	Flat Washer, 3/8" SAE
48	G11229	1	Slotted Pan Head Self-Tapping Screw, 10-16 x 1/2"
49	G10599	15	Carriage Bolt, 3/8"-16 x 1 1/4"
50	G10106	1	Hex Nut, 5/16"-18
51	G10004	4	Hex Head Cap Screw, 3/8"-16 x 1 1/4"
52	G10108	1	Lock Nut, 3/8"-16
53	GA16453	1	Tarp (1321)
	GA16454	-	Tarp (1421/1521)
	GA16455	-	Tarp (1721)
54	GA22224	4	Bow
55	GA16450	2	Top Mount Cap
56	GD29479	1	L.H. Tarp Protector
57	GD29478	1	R.H. Tarp Protector
58	GD18991	1	Roll Return Pipe
59	GD18992	2	Roll Return Pipe
60	GA16447	1	Roll Tube (1321)
	GA16448	1	Roll Tube (1421/1521)
	GA18154	1	Roll Tube (1721)
61	GD23841	1	Fixed Tube (1321)
	GD23842	1	Fixed Tube (1421/1521)
	GA18155	1	Fixed Tube (1721)
62	G11406	-	Locking Plastic Plug, 3/8"
63	G10019	4	Hex Head Cap Screw, 5/16"-18 x 1"
64	GD35832	4	Crank Retainer Bracket
65	G10301	2	Carriage Bolt, 3/8"-16 x 1 1/2"
A	G1K617	-	Tarp Protector Kit (Includes Items, 7-8, and 56-57)

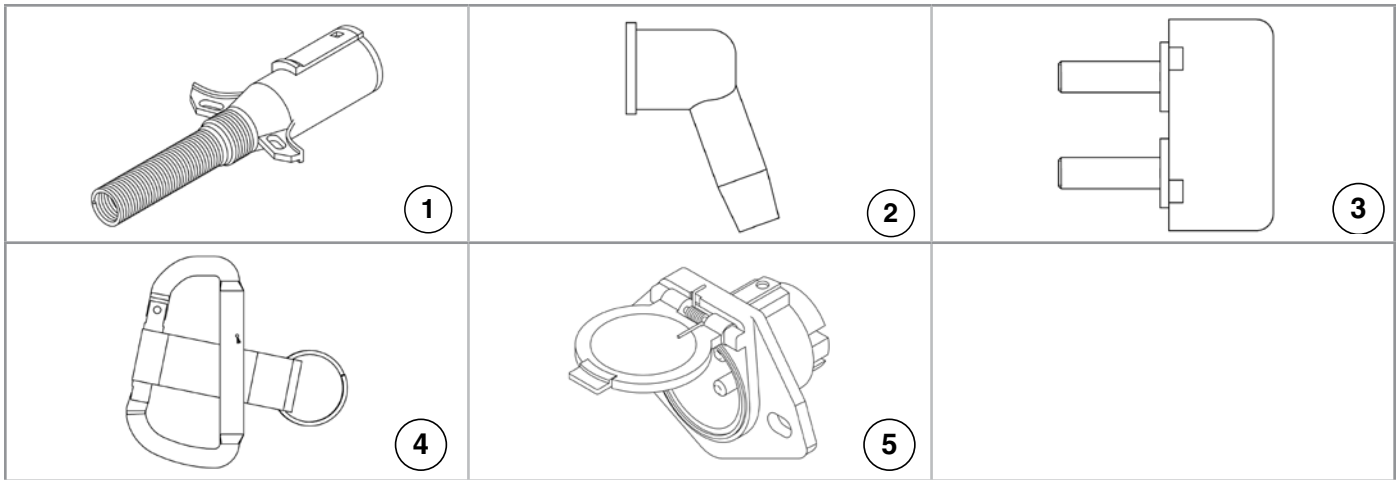
(A16469)



See "Roll Tarp" on page P78 for all other roll tarp parts.



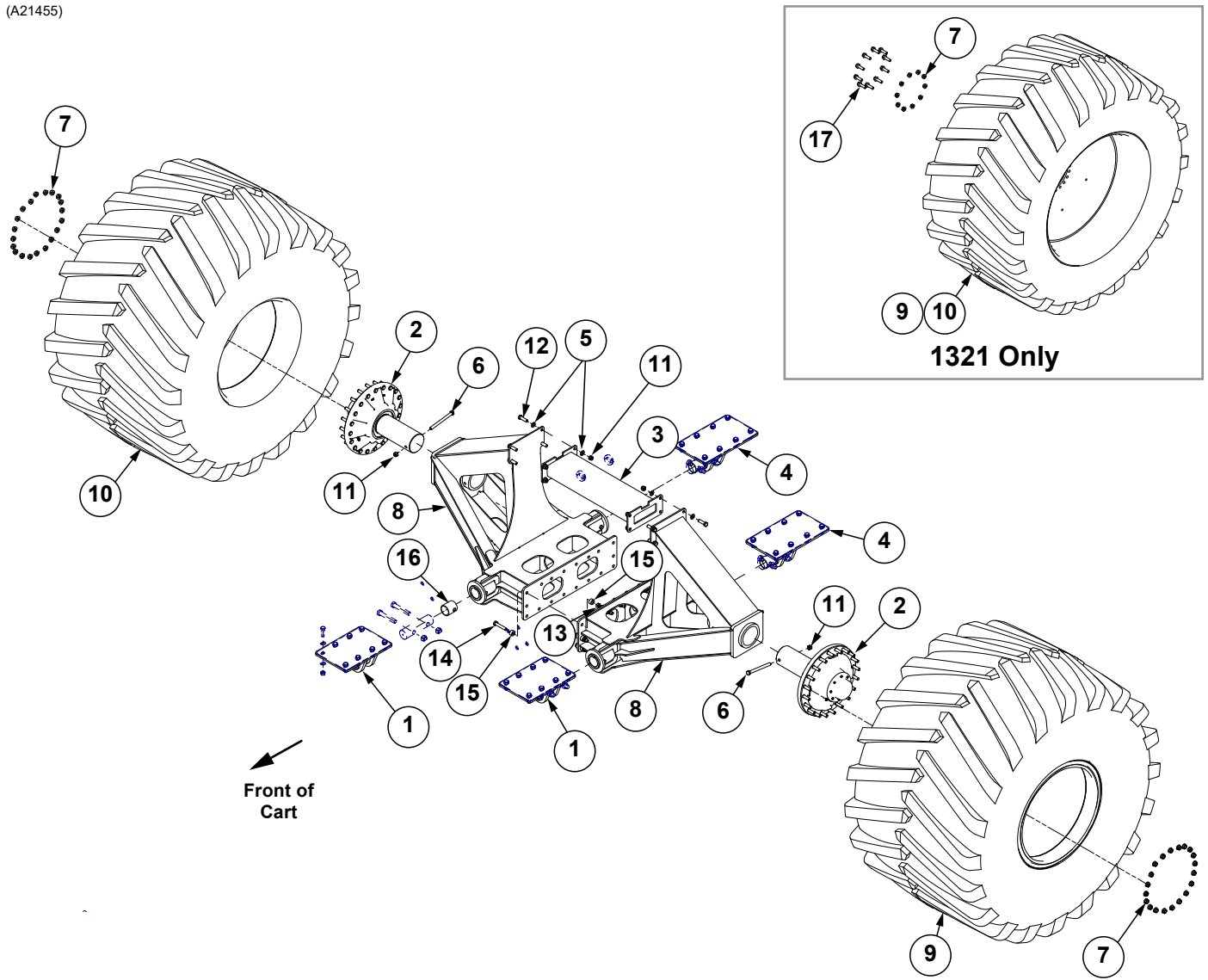
ITEM	PART NO.	QTY.	DESCRIPTION
1	GA16460	1	Pivot Pin
2	GD24094	2	Spacer Washer
3	GD27039	2	Bellow Plate
4	GD27041	2	Bellow Plate
5	GD27095	1	Pivot Bracket
6	G10004	4	Hex Head Cap Screw, 3/8"-16 x 1 1/4"
7	G10101	4	Hex Nut, 3/8"-16
8	G10229	4	Lock Washer, 3/8"
9	G10430	1	External Retaining Ring, 1 1/4"
10	G10902	4	Carriage Bolt, 5/16"-18 x 2 1/2"
11	G11182	8	Lock Nut W/Nylon Insert, 5/16"-18
12	G11387	8	Flat Washer, 3/8" SAE
13	G11484	1	Flat Washer
14	GA18833	1	Motor Adapter
15	GA18840	1	Durabilt Motor, 3 1/8" Shaft
16	GD27042	2	Cap Plug W/Hole
17	GD27043	2	Dome Plug
18	GD27044	1	Bellow Rubber Arm
19	GD27036	1	Motor Adapter Sleeve Bearing
20	GD27100	2	Flexible Arm Joint End Cap
21	GD23855	1	Flex Arm Joint
22	G10041	1	Hex Head Cap Screw, 5/16"-18 x 2"
23	G10043	3	Hex Head Cap Screw, 5/16"-18 x 3/4"
24	G10232	3	Lock Washer, 5/16"
25	G10109	1	Lock Nut, 5/16"-18
26	GA18836	1	Lower Flex Arm
27	GD23856	4	Spiral Torsion Spring
28	G11483	1	Wire Clip
29	G10570	1	Slotted Hex Self-Tapping Screw, 1/4"-20 x 3/4"
30	GD24041	1	Receiver Mount
31	GR2059	1	Rubber Grommet
*32	GA25270	1	Wireless Receiver (Shurco P/N: 1127124) (Must Be Used With GA25269)
	GA25269	-	Remote (Shurco P/N: 1705780) (Must Be Used With GA25270)
	G11001001	-	Wireless Receiver (Shurco P/N: 1131585) (Must Be Used With G11001101)
	G11001101	-	Remote (Shurco P/N: 1131576) (Must Be Used With G11001001)
*GA25270 / GA25269 must be used together and G11001001 / G11001101 must be used together, these items cannot be interchanged.			
33	G11386	4	Flat Washer, 5/16" SAE
34	G10991	4	Hex Head Cap Screw, 5/16"-18 x 7/8"
35	GD19068	3	Phillips Pan Head Self-Tapping Screw, 1/4" x 3/4"
36	GD18990	3	Half Round Tarp Clamp
37	GA18835	1	Upper Flex Arm
38	G10001	4	Hex Head Cap Screw, 3/8"-16 x 1"
39	G10003	2	Hex Head Cap Screw, 3/8"-16 x 1 1/2"
40	G11091	6	Serrated Flange Nut, 3/8"-16
41	GD27037	1	Motor Mount Bracket
42	GD27038	2	Upper Arm Spacer
43	G11605	2	Hex Socket Head Shoulder Screw, 5/8" x 3/8"-16
44	G10901	2	Lock Nut, 3/8"-16
A	G9492X	-	Manual to Electric Tarp Conversion Package



ITEM	PART NO.	QTY.	DESCRIPTION
1	GD24253	-	Male Plug
2	GD24254	-	Insulating Boot
3	GA16780	-	40 Amp Circuit Breaker
4	GA16778	-	Carabineer Keystrip
5	GD24252	-	Female Plug

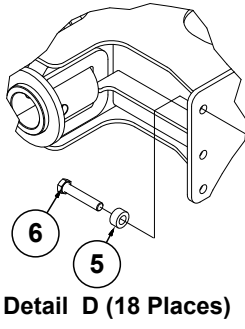
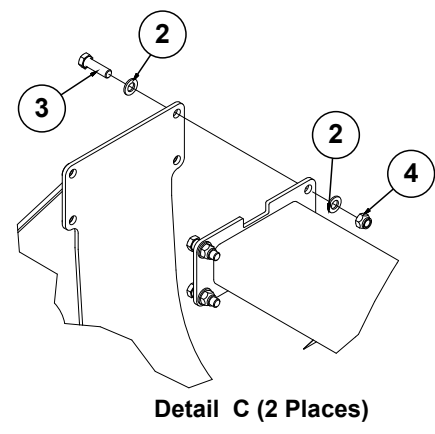
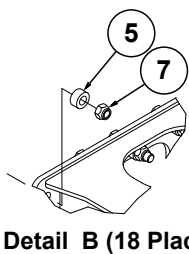
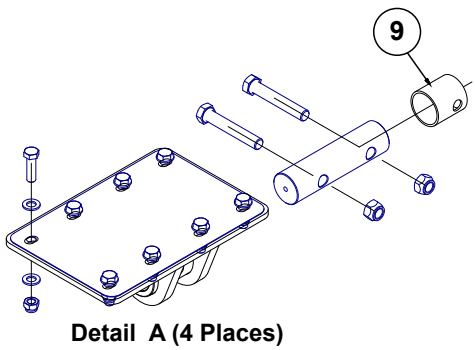
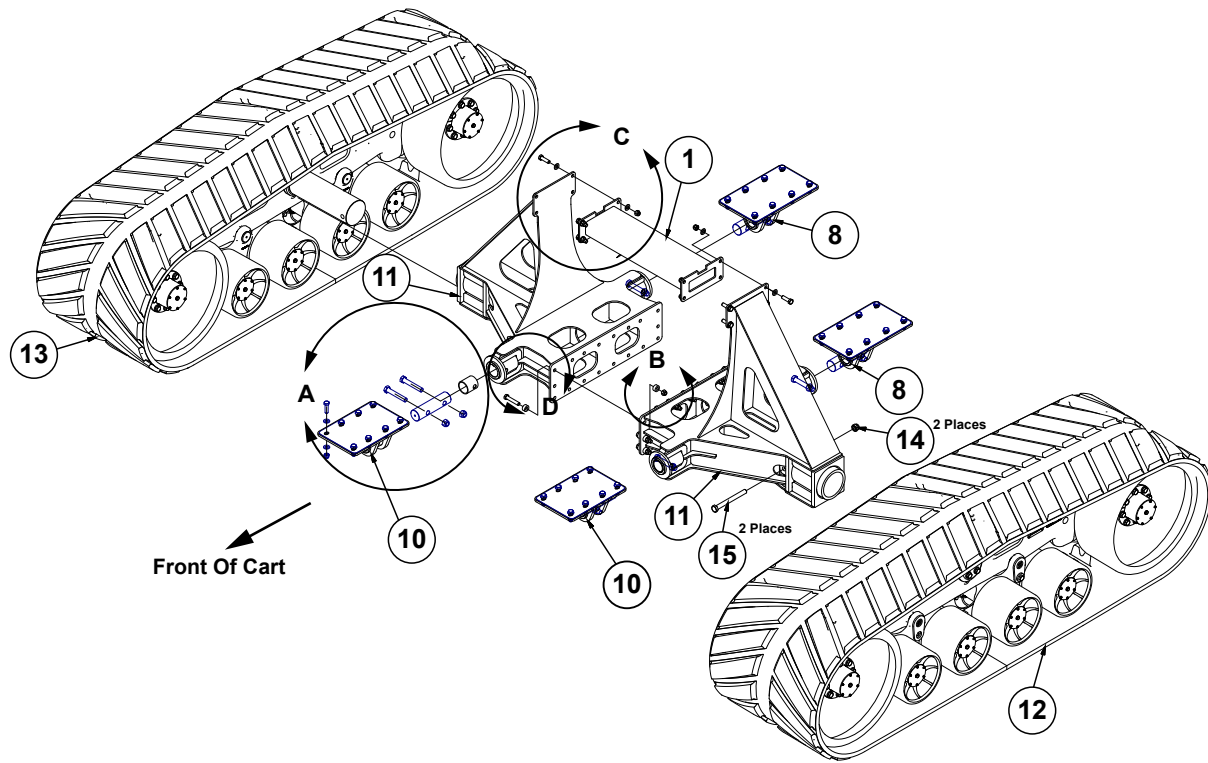
**This page left blank intentionally.**

(A21455)



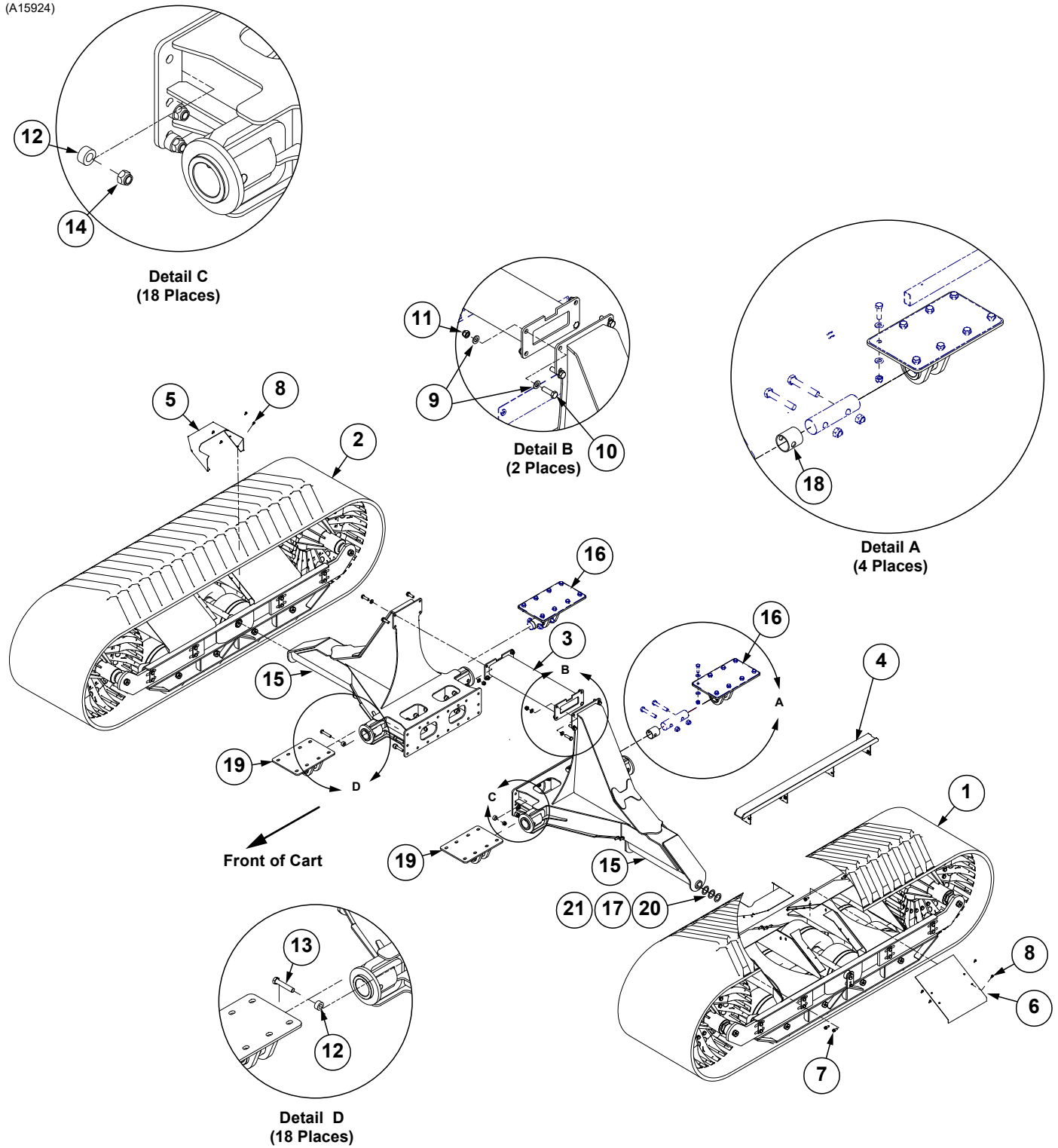
ITEM	PART NO.	QTY.	DESCRIPTION
1	GA20220	2	Front Axle Frame
2	---	2	<a href="#">See "Hub Assembly (1321 Flotation)" on page P103</a>
		2	<a href="#">See "Hub Assembly (1421/1521 Flotation)" on page P104</a>
3	GA16296	1	Crossover Tube
4	GA20211	2	Rear Axle Frame
5	G11392	16	Flat Washer, 3/4" SAE
6	G10400	2	Hex Head Cap Screw, 3/4"-10 x 6 1/2" (1321)
	G10895	2	Hex Head Cap Screw, 3/4"-10 x 8 1/2" (1421/1521)
7	G10625	40	Flange Nut, 3/4"-16
8	GA20207	2	Flotation Axle (1321)
	GA20206	2	Flotation Axle (1421/1521)
9	---	1	<a href="#">See "Tire Assemblies (Flotation)" on page P105</a>
10	---	1	<a href="#">See "Tire Assemblies (Flotation)" on page P105</a>
11	G10112	10	Lock Nut, 3/4"-10
12	G10027	8	Hex Head Cap Screw, 3/4"-10 x 2 1/2"
13	GD29053	18	Lock Nut, 3/4"-10, Grade C
14	GD29052	18	Hex Head Cap Screw, 3/4"-10 x 4", Grade 8
15	GD29032	36	Spacer, 1/2" O.D. x .813 I.D. x 3/4"
16	GD29292	4	Inner Weigh Beam Sleeve
17	GD16712	20	Bolt, 3/4"-16 x 2 1/2" (1321 Only)

(A24363)



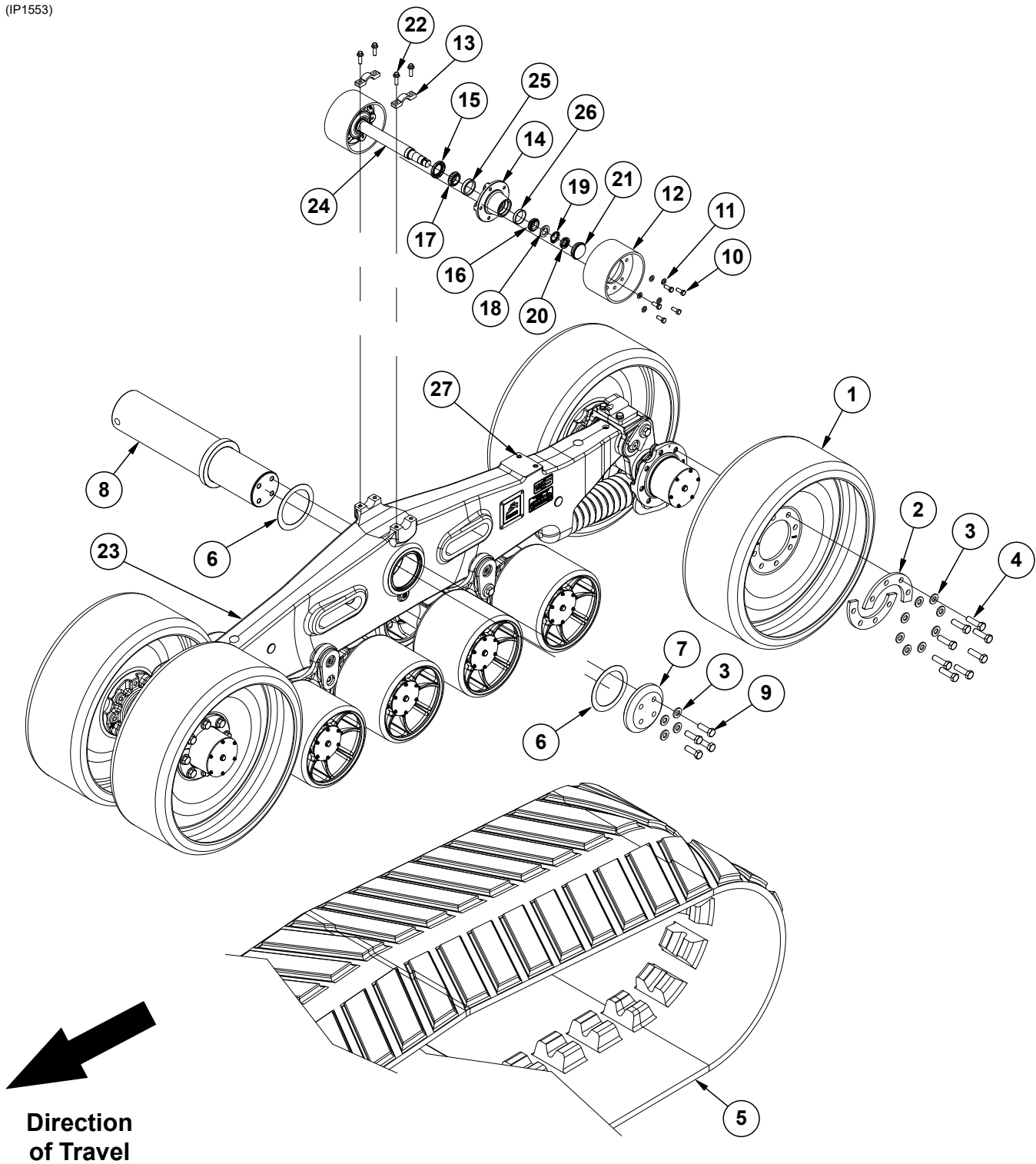
ITEM	PART NO.	QTY.	DESCRIPTION
1	GA16296	1	Crossover Tube
2	G11392	16	Flat Washer, 3/4" SAE
3	G10027	8	Hex Head Cap Screw, 3/4"-10 x 2 1/2"
4	G10112	8	Lock Nut, 3/4"-10
5	GD29032	36	Spacer, 1/2" O.D. x .813 I.D. x 3/4"
6	GD29052	18	Hex Head Cap Screw, 3/4"-10 x 4", Grade 8
7	GD29053	18	Lock Nut, 3/4"-10, Grade C
8	GA20211	2	Rear Axle Frame
9	GD29292	4	Inner Weigh Beam Sleeve
10	GA20220	2	Front Axle Frame
11	GA24359	2	Track Axle
12	---	1	<a href="#">See "Track Assembly (1321/1421/1521)" on page P91</a>
13	---	1	<a href="#">See "Track Assembly (1321/1421/1521)" on page P91</a>
14	G10396	2	Lock Nut, 1"-8
15	G10808	2	Hex Head Cap Screw, 1"-8 x 10", Grade 8

(A15924)



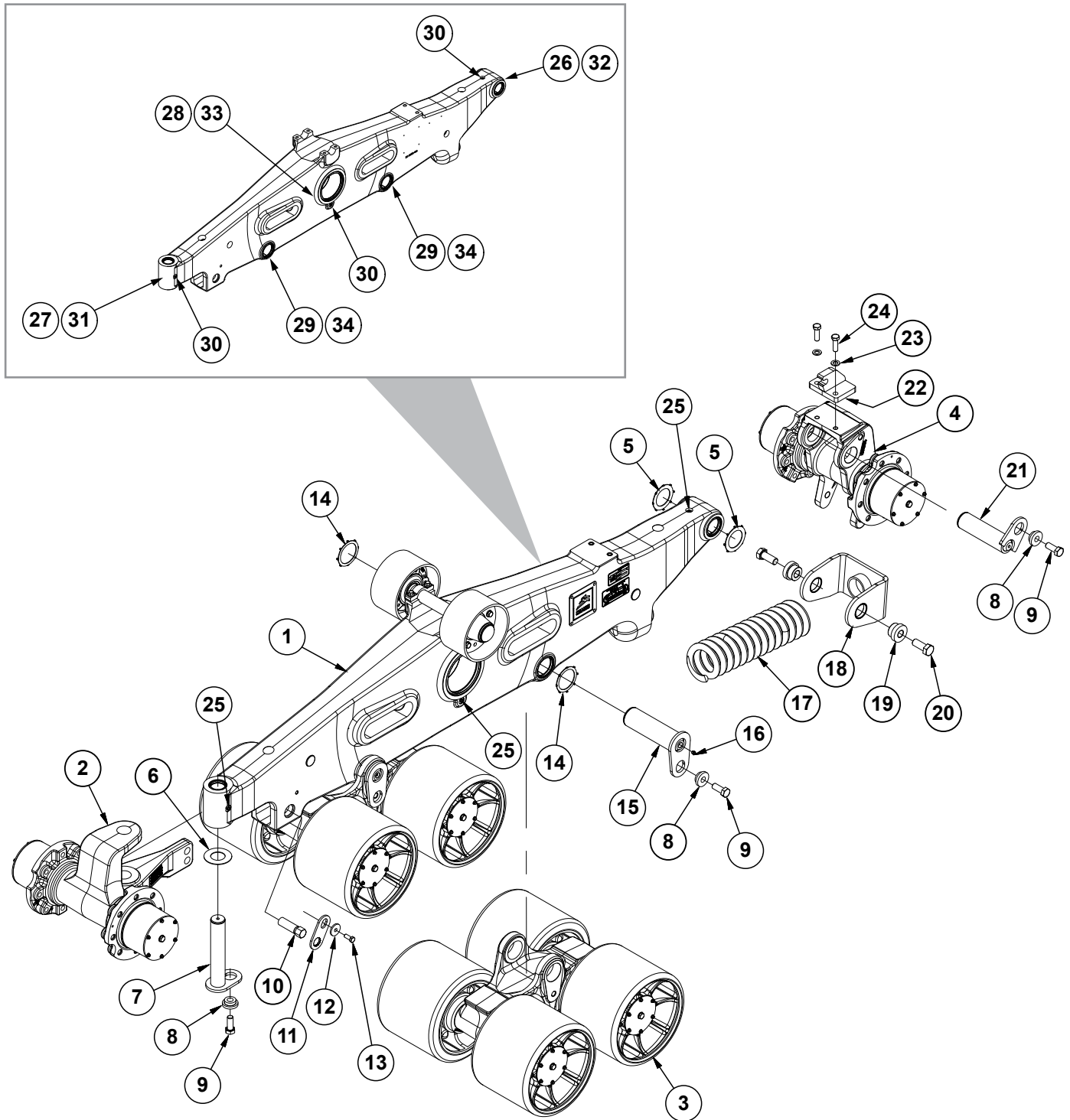
ITEM	PART NO.	QTY.	DESCRIPTION
1	---	1	<a href="#">See "36" Track Assembly (1721)" on page P100</a>
2	---	1	<a href="#">See "36" Track Assembly (1721)" on page P100</a>
3	GA16296	1	Crossover Tube
4	GA15838	2	Track Guide
5	GD25203	2	Mud Sheild
6	GD22880	2	Mud Sheild Cover
7	G11271	16	Hex Socket Flange Cap Screw, 1/2"-13 x 1 1/4"
8	G11480	16	Hex Socket Flange Cap Screw, 5/16"-18 x 1"
9	G11392	16	Flat Washer, 3/4" SAE
10	G10027	8	Hex Head Cap Screw, 3/4"-10 x 2 1/2"
11	G10112	8	Lock Nut, 3/4"-10
12	GD29032	36	Spacer, 1/2" O.D. x .813 I.D. x 3/4"
13	GD29052	18	Hex Head Cap Screw, 3/4"-10 x 4", Grade 8
14	GD29053	18	Lock Nut, 3/4"-10, Grade C
15	GA20209	2	Track Axle (1721)
16	GA20211	2	Rear Axle Frame
17	G10404	2	Machine Bushing, 3 1/8" x 2 1/8" x 3/16"
18	GD29292	4	Inner Weigh Beam Sleeve
19	GA20220	2	Front Axle Frame
20	G10234	2	Machine Bushing, 2 1/8", 10 Gauge (.1345")
21	G10336	2	Machine Bushing, 2 1/8", 14 Gauge (.0747")

(IP1553)



ITEM	PART NO.	QTY.	DESCRIPTION
1	GD34884	4	Idler Wheel
2	GD34856	8	Idler Wheel Back-up Ring
3	GD34836	36	Idler Washer
4	G12211-70	32	Hex Head Cap Screw, M20-2.5 x 70
5	GD34885	1	Pull Behind Track, 302" x 36"
6	GD34887	2	Thrust Washer
7	GD34888	1	End Cap
8	GD34886	1	Main Pin
9	G12210-60	4	Hex Head Cap Screw, M20-2.5 x 60
10	G12207-30	10	Hex Head Cap Screw, M12-1.75 x 30
11	G12039	10	Flat Washer, M12
12	GD34879	2	Roller Carrier
13	GD34859	2	Axle Retainer, Thin Block
14	GD34838	2	Hub W/Bearing Races
15	GD34869	2	Grease Seal
16	GR2277	2	Outer Bearing
17	GR2276	2	Inner Bearing
18	GD34858	2	Tongued Washer
19	GD34865	2	Lock Washer
20	GD34864	2	Lock Nut
21	GD34873	2	Hub Cap
22	G12208-40	4	Hex Socket Flange Cap Screw, M12-1.75 x 40
23	---	-	<a href="#">See "Track Main Frame (1321/1421/1521)" on page P93</a>
24	GD34857	-	Axle Roller Carrier
25	GD34839	1	Carrier Inner Bearing Race
26	GD34840	1	Carrier Outer Bearing Race
27	GD35092	2	Tapered Plug, M16 x 2
A	GA24938	-	Roller Assembly, Items 14-21 and 24-26

(IP1554)



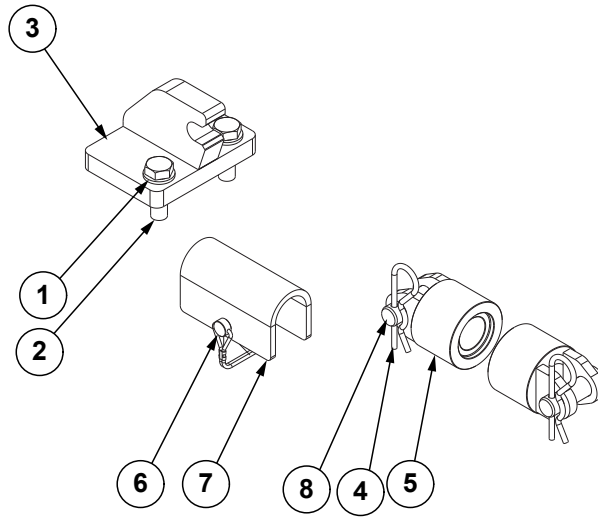
## Track Main Frame (1321/1421/1521)

M0316-02

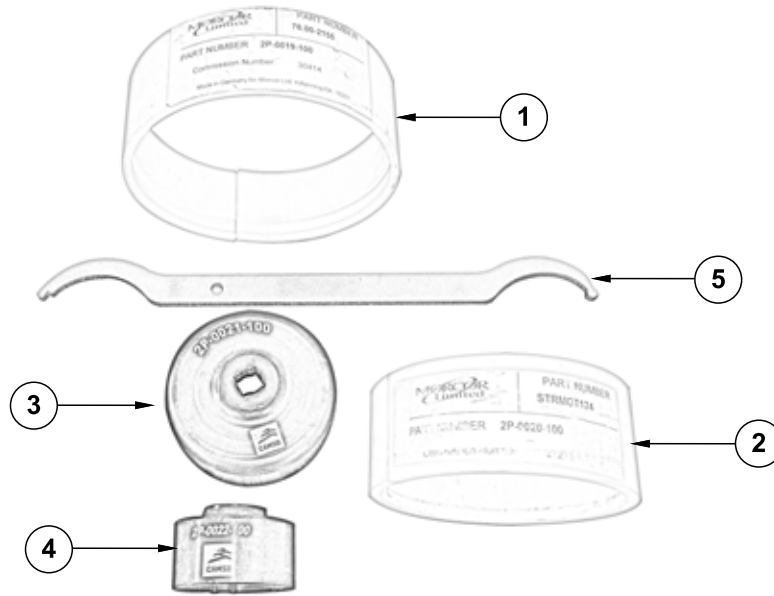
Grain Cart

ITEM	PART NO.	QTY.	DESCRIPTION
1	GA24936	1	Main Frame (Non-Stock Item)
2	GA24942	1	Alignment
3	GA24940	2	<a href="#">See "Bogie Hub Assembly (1321/1421/1521)" on page P97</a>
4	GA24939	1	Tension Link
5	GD34861	2	Thrust Washer, 60mm
6	GD34854	1	Thrust Washer
7	GD34878	1	Pin, 50mm
8	GD34855	4	Flanged Spacer
9	G12209-50	4	Hex Head Cap Screw, M20-2.5 x 50
10	GD35091	2	Long Head Set Screw, 1½" x 85mm
11	GD34853	2	Lock Plate
12	GD34851	2	Flanged Spacer
13	G12207-30	2	Hex Head Cap Screw, M12-1.75 x 30
14	GD34863	4	Thrust Washer
15	GD34882	2	Pin
16	G10641	2	Grease Fitting, ⅛" NPT
17	GD34874	1	Spring
18	GD34843	1	Seat Spring
19	GD34862	2	Flanged Spacer
20	G12206-60	2	Hex Head Cap Screw, M24-3.0 x 60
21	GD34880	1	Tensioner Pin
22	GD34891	1	Bracket
23	G12040	2	Flat Washer, M16
24	G12205-50	2	Hex Head Cap Screw, M16-2.0 x 50
25	G10641	4	Grease Fitting, ⅛" NPT
26	GD34846	2	Bushing
27	GD34847	2	Bushing
28	GD34849	2	Bushing
29	GD34850	4	Bushing
30	G10641	4	Grease Fitting, ⅛" NPT
31	GD34867	2	Scraper Seal
32	GD34868	2	Scraper Seal
33	GD34870	2	Scraper Seal
34	GD34872	4	Scraper Seal

(A24944)

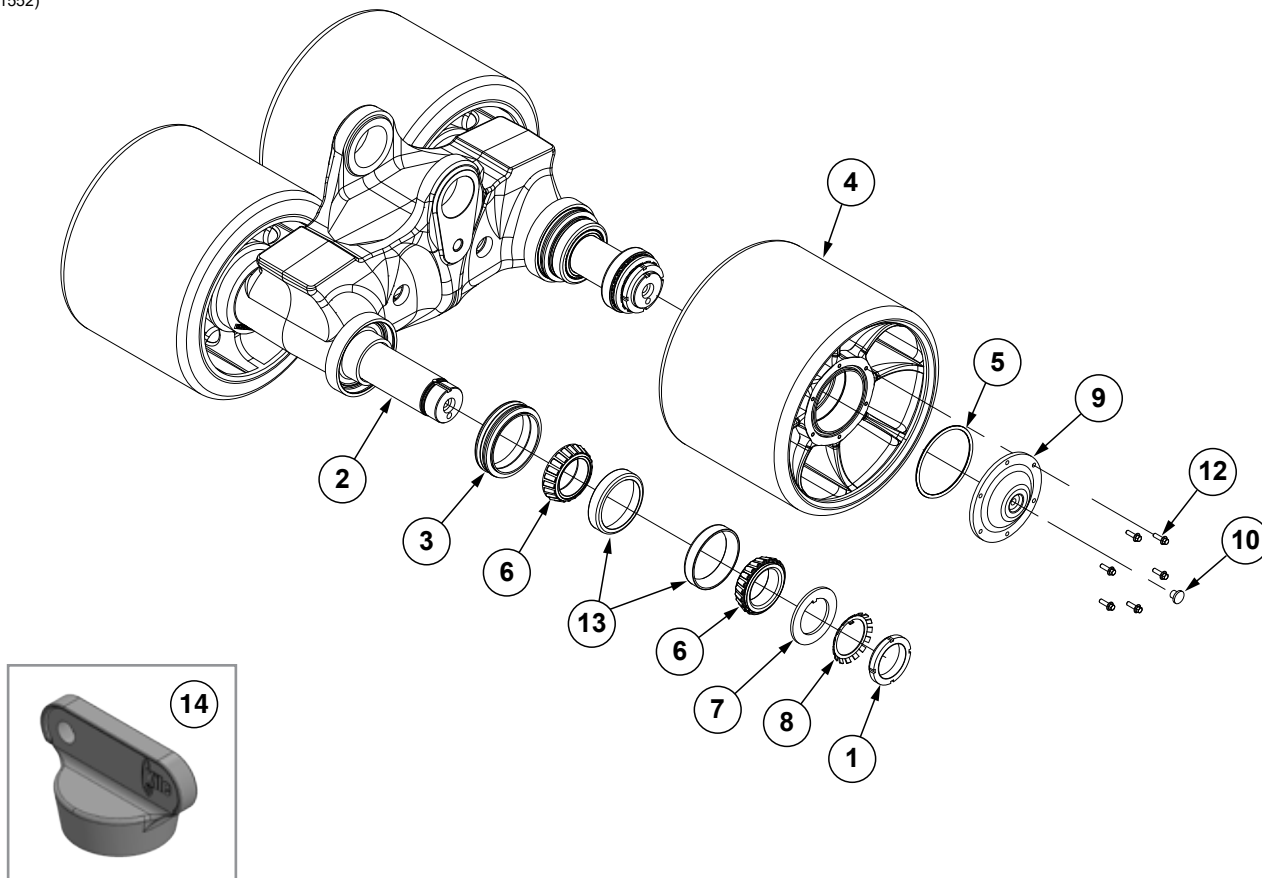


ITEM	PART NO.	QTY.	DESCRIPTION
1	G12040	2	Flat Washer, M16
2	G12205-50	2	Hex Head Cap Screw, M16-2.0 x 50
3	GD34891	1	Bracket
4	G12204	2	Hair Pin Clip, 5MM
5	GD34892	2	Cylinder End
6	GD35310	1	Wire Lock Pin, 5/16" x 3 1/8"
7	GD34889	1	Locking C Shape Plate
8	G12203	2	Clevis Pin, M20 x 60
A	GA24944	-	Detensioing Tool Kit Complete, Items 1-8



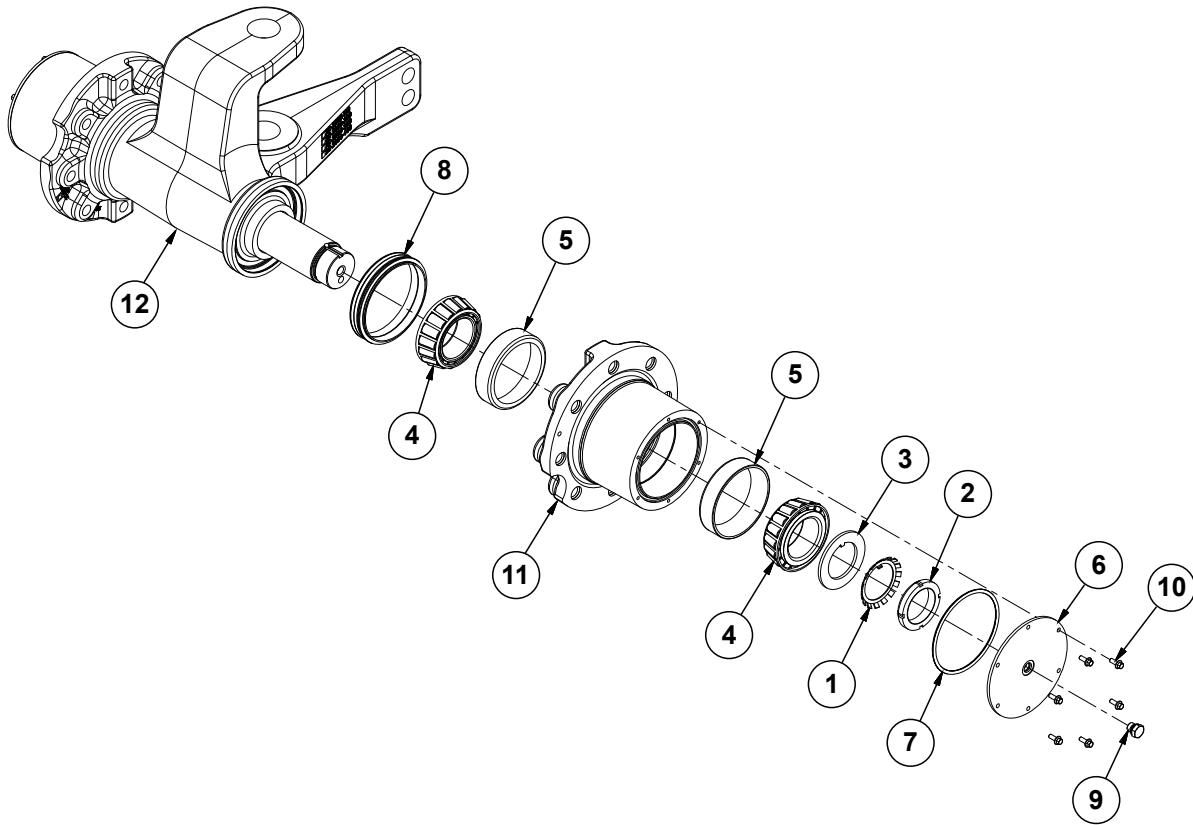
ITEM	PART NO.	QTY.	DESCRIPTION
1	GD34893	1	Seal Installation Tool
2	GD34945	1	Seal Installation Tool
3	GD34946	1	Bearing Locknut Socket, TN-12
4	GD34947	1	Bearing Locknut Socket, N-06
5	GD34948	1	Locknut Tab Bender

(IP1552)



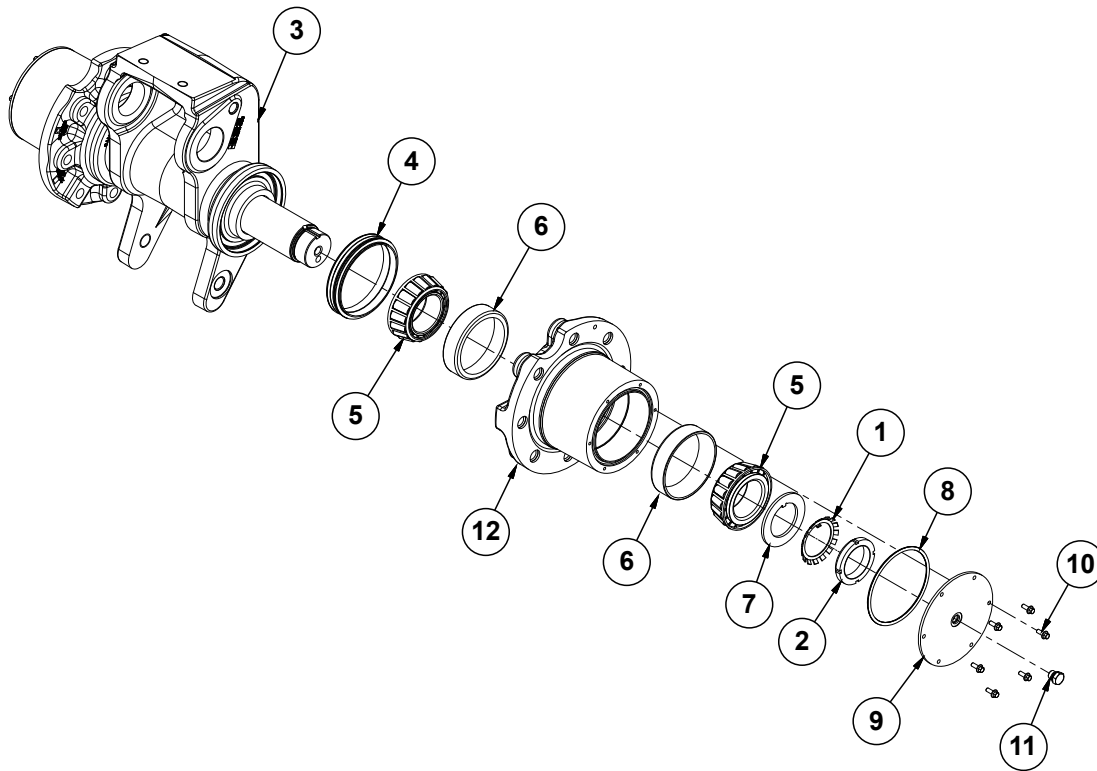
ITEM	PART NO.	QTY.	DESCRIPTION
1	GD35090	4	Idler and Mid Roller Locknut
2	GA24941	1	Bogie Hub
3	GD34871	4	High Temp O-Ring
4	GD34883	4	Mid-Roller Wheel
5	GD34835	4	O-Ring
6	GR2278	8	Mid-Roller Bearing (Includes Item 13)
7	GD34837	4	Tongue Washer
8	GD34890	4	Idler Lock Washer
9	GD36718	4	Clear Cap Cover
10	GD36717	4	Oil Plug
11	---	---	---
12	G12221	24	Hex Non-Serrated Flange Cap Screw, M6-1.0 x 20
13	GR2278	8	Mid-Roller Bearing Race (Includes Item 6)
14	GD36719	-	Oil Plug Tool
A	GA24940	---	Bogie Hub Assembly (Items 1-13)

(IP1555)



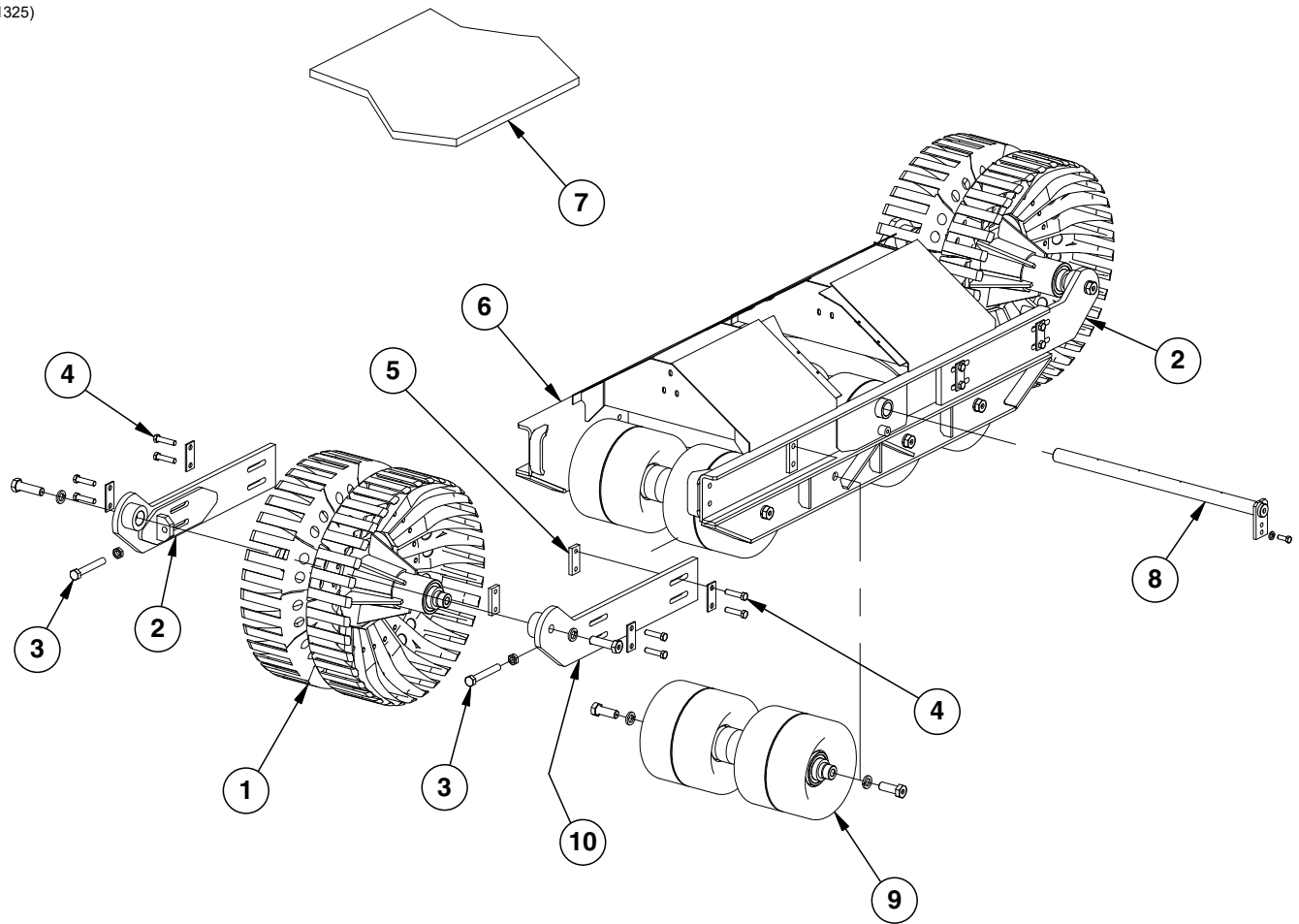
ITEM	PART NO.	QTY.	DESCRIPTION
1	GD34890	2	Idler Lock Washer
2	GD35090	2	Idler and Mid Roller Locknut
3	GD34837	2	Tongue Washer
4	GA25054	4	Idler Bearing
5	GD34842	4	Idler Bearing Race
6	GD34852	2	Idler Hub Cover
7	GD34866	2	O-Ring
8	GD34944	2	Seal
9	GD34943	2	Plug
10	G12202-16	12	Hex Socket Flange Cap Screw, M6-1.0 x 16
11	GA24943	1	Idler Hub
12	GD34845	1	Alignment Link
A	GA24942	-	Alignment Link W/Hubs

(IP1556)



ITEM	PART NO.	QTY.	DESCRIPTION
1	GD34890	2	Idler Lock Washer
2	GD35090	2	Idler and Mid Roller Locknut
3	GD34844	1	Tension Link
4	GD34944	2	Seal
5	GA25054	4	Idler Bearing
6	GD34842	4	Idler Bearing Race
7	GD34837	2	Tongue Washer
8	GD34866	2	O-Ring
9	GD34852	2	Idler Hub Cover
10	G12202-16	12	Hex Socket Flange Cap Screw, M6-1.0 x 16
11	GD34943	2	Plug
12	GA24943	1	Idler Hub
A	GA24939	-	Tension Link W/Hubs

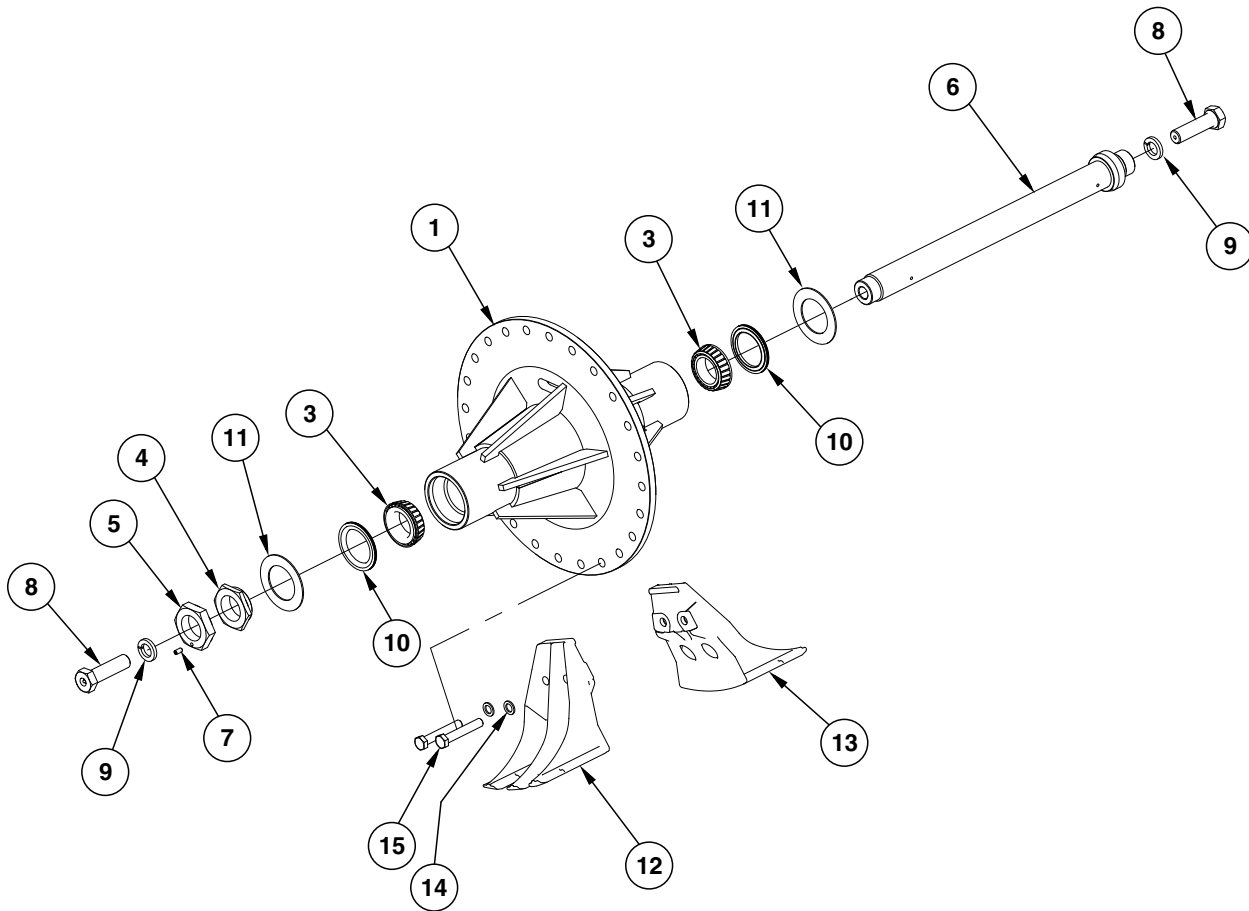
(IP1325)



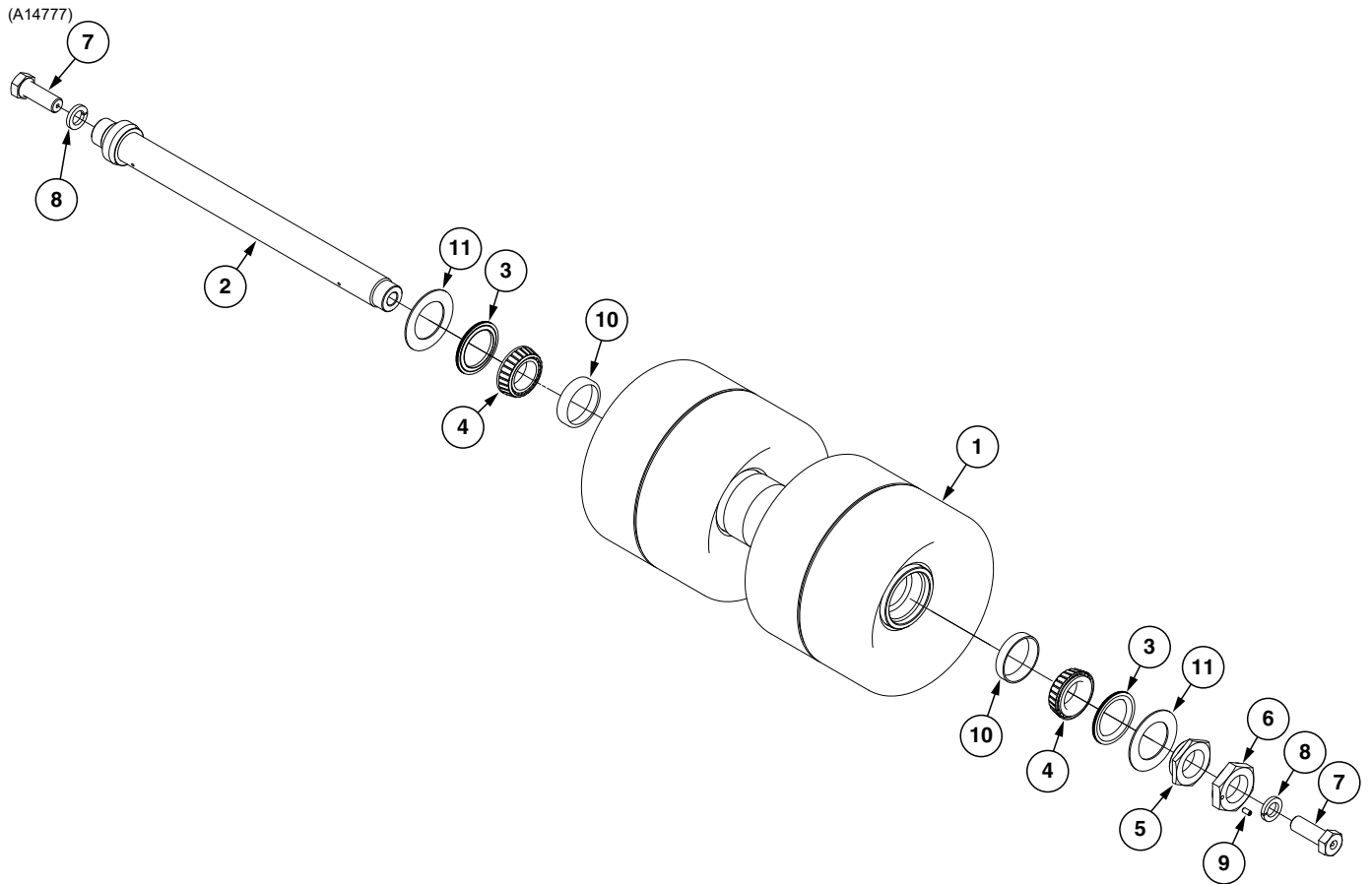
ITEM	PART NO.	QTY.	DESCRIPTION
1	---	24	<a href="#">See "Track End Wheel" on page P128</a>
2	GA14784	2	End Wheel Arm
3	G10539	4	Hex Head Cap Screw, 1"-14 x 7"
	G10324	4	Hex Jam Nut, 1"-14, Grade 2
4	G11039	16	Hex Head Cap Screw, 3/4"-16 x 3/4", Grade 8
	GD24758	8	Backing Plate (1721)
5	GD24759	8	Backing Plate (1721)
6	GA15594	1	Track Carriage (1721)
7	GD9900	1	Rubber Track, 36" (Specify Brand*)
8	GA15591	1	Stub Axle Pin (1721)
	G10005	1	Hex Head Cap Screw, 5/8"-11 x 1 3/4"
	G10230	1	Lock Washer, 5/8"
9	---	4	<a href="#">See "Track Mid Wheel (1721)" on page P102</a>
10	GA14785	2	End Wheel Arm

\*Specific brand requests will be supplied only as available from current Kinze Repair Parts stock. If a specific brand requested is not in stock, the brand available will be supplied.

(IP1326)

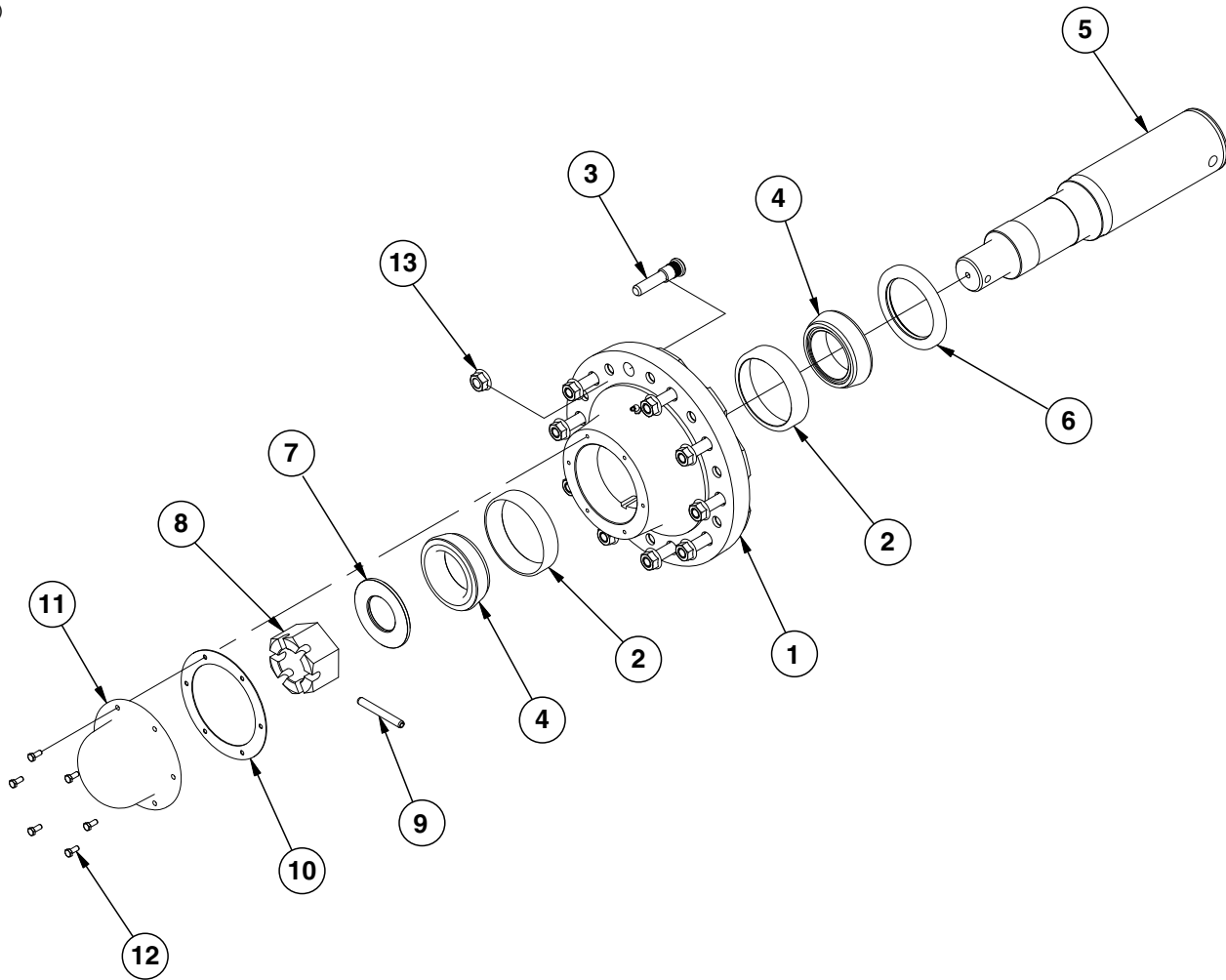


ITEM	PART NO.	QTY.	DESCRIPTION
1	GA15589	1	End Wheel Hub with Cups (1721)
	GR0323	2	Cup
2	---	-	---
3	GA0779	2	Bearing
4	GD24952	1	Stepped Nut, 2½"-12
5	GD7460	1	Jam Nut, 2½"-12
6	GA17147	1	Spindle (1721)
7	G10535	1	Hex Socket Set Screw, ⅜"-16 x ¾"
8	GA14328	2	Hub Bolt Assembly
	GD20399	-	Hub Bolt, 1¼" x 4½"
	G10641	-	Grease Fitting, ⅛" NPT
9	G10236	2	Lock Washer, 1¼"
10	GD7452	2	Seal
11	GD28679	2	Washer, UHMW Polyethylene
12	GD20443	12	Cast Iron Segment, Drilled
13	GD20444	12	Cast Iron Segment, Tapped
14	GD2169	24	Special Washer, 25/32" I.D. x 1¼" O.D., Hardened
15	G10029	24	Hex Head Cap Screw, ¾"-10 x 4½"
A	GA15590	-	End Wheel Hub Assembly, (Items 1-11) (1721)



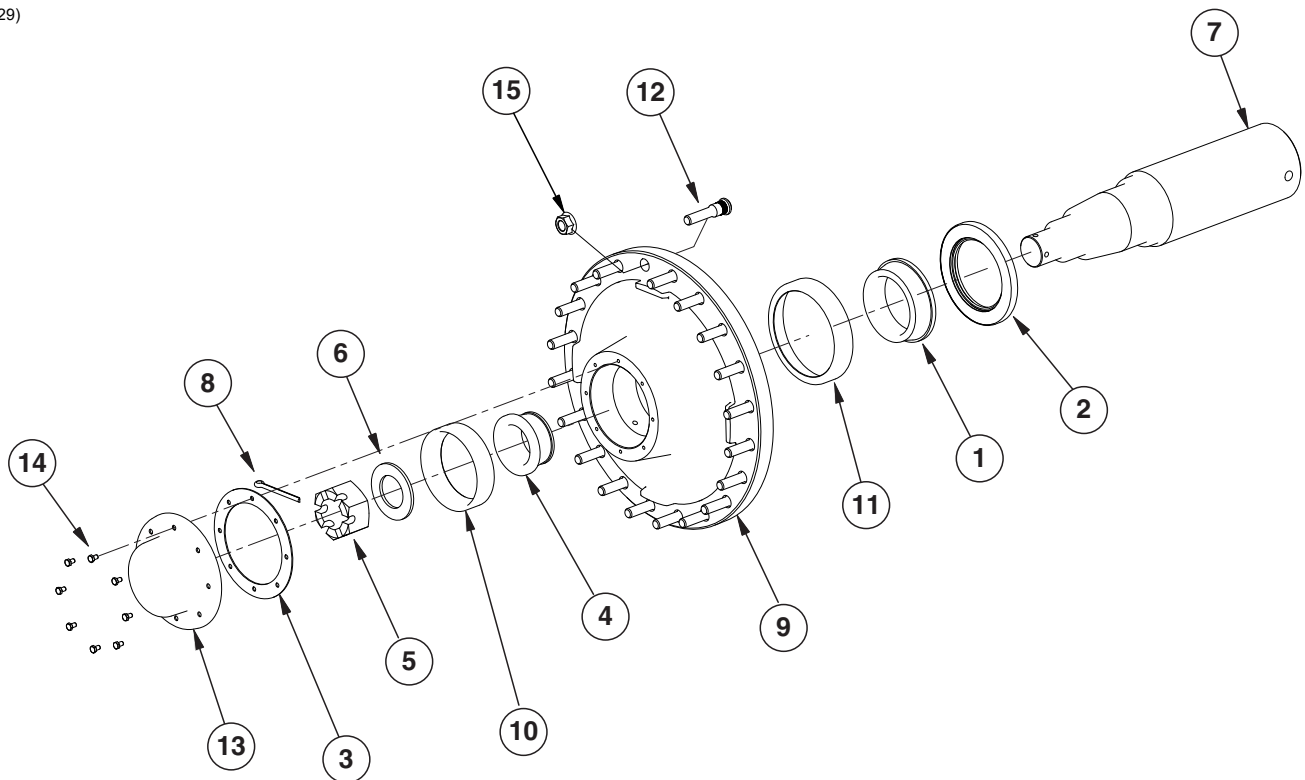
ITEM	PART NO.	QTY.	DESCRIPTION
1	GA15585	1	Mid Wheel (1721)
2	GA17147	1	Spindle (1721)
3	GD7452	2	Seal
4	GA0779	2	Bearing
5	GD24952	1	Stepped Nut, 2½"-12
6	GD7460	1	Jam Nut, 2½"-12
7	GA5487	2	Bolt W/Grease Fitting, 1¼" x 3½", Grade 8
	G10641	-	Grease Fitting, ⅛" NPT
	GD7497	-	Hub Bolt, 1¼"-7 x 3½"
8	G10236	2	Lock Washer, 1¼"
9	G10535	1	Hex Socket Set Screw, ⅜"-16 x ¾"
10	GR0323	2	Cup (Part of Item 1)
11	GD28679	2	Washer, UHMW Polyethylene
A	GA15587	4	Mid Wheel Assembly (Items 1-9 and 11) (1721)

(IP1328)



ITEM	PART NO.	QTY.	DESCRIPTION
1	GA11509	1	Hub W/Cups, Grease Fitting And Stud Bolts (20 Bolt High Strength) (Includes Items 2 and 3)
2	GR0191	2	Inner Cup
3	GR1681	10	Stud Bolt, 3/4"-16 x 3 7/8"
4	GA0531	2	Inner Bearing
5	GD22536	1	Spindle
6	GA0532	1	Seal
7	GD16710	1	Washer, 2 1/2"
8	GD16709	1	Slotted Hex Nut, 2 1/2"-20
9	G11196	1	Spring Pin, 1/2" x 4
10	GD16565	1	Seal
11	GB0382	1	Dust Cap
12	G10043	6	Hex Head Cap Screw, 5/16"-18 x 3/4"
13	G10625	10	Flange Nut, 3/4"-16

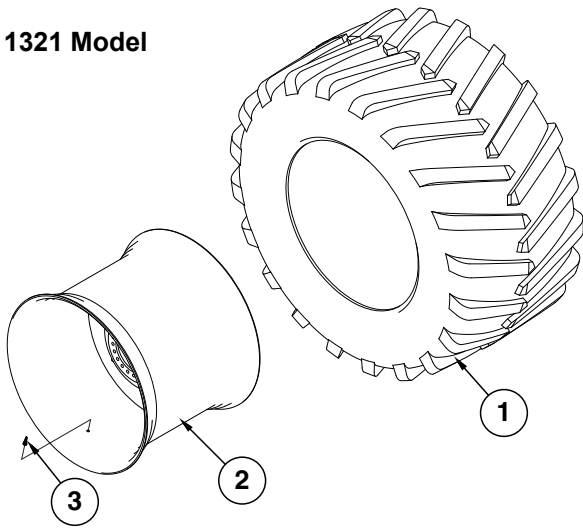
(IP1329)



ITEM	PART NO.	QTY.	DESCRIPTION
1	GR2031	1	Inner Bearing
2	GR2033	1	Grease Seal
3	GR2037	1	Seal
4	GR2032	1	Outer Bearing
5	GR2034	1	Spindle Nut
6	GR2035	1	Washer, 4½" x 2⅝" x ¼"
7	GD22758	1	Spindle
8	GR2036	1	Cotter Pin, ⅜" x 4"
9	GR2027	1	Hub W/Cups (Items 1, 4, and 12)
	GR2039	1	Grease Fitting
10	GR2030	1	Outer Cup
11	GR2029	1	Inner Cup
12	GR1681	20	Stud Bolt, ¾"-16 x 3⅞"
13	GR2038	1	Dust Cap
14	G10054	8	Hex Head Cap Screw, ⅝"-18 x ½"
15	G10625	20	Flange Nut, ¾"-16

(IP1330)

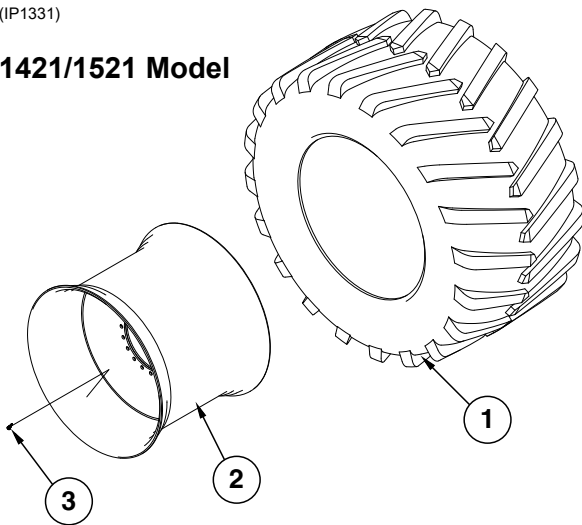
**1321 Model**



ITEM	PART NO.	QTY.	DESCRIPTION
1	GD30616	1	Tire 1250/50R32, CFO
2	GA24128	1	Rim, 32" x 44", 20 Hole, 13.189" B.C.
3	GA9975	1	Valve Stem
A	GA24129	-	Tire/Wheel Assembly, L.H. (Items 1-3)
B	GA24130	-	Tire/Wheel Assembly, R.H. (Items 1-3)

(IP1331)

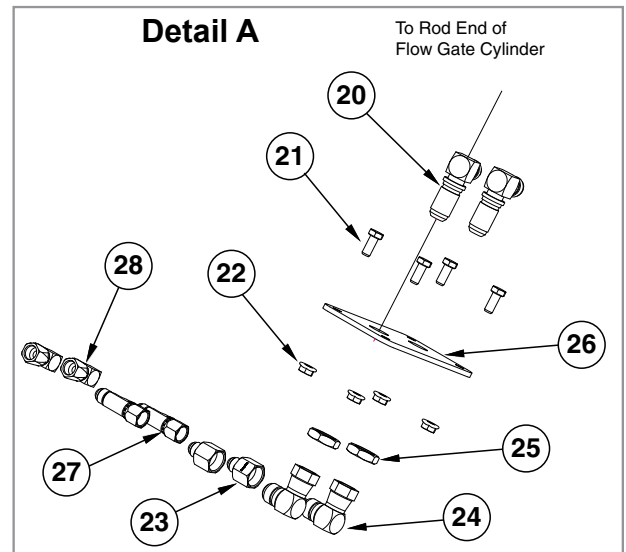
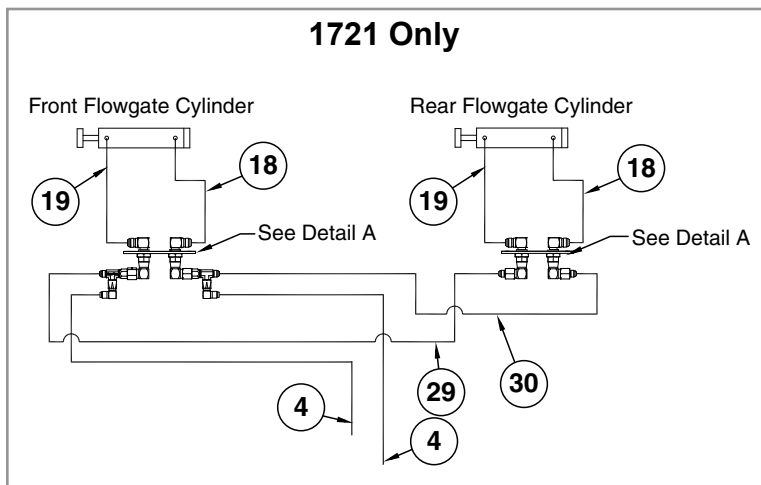
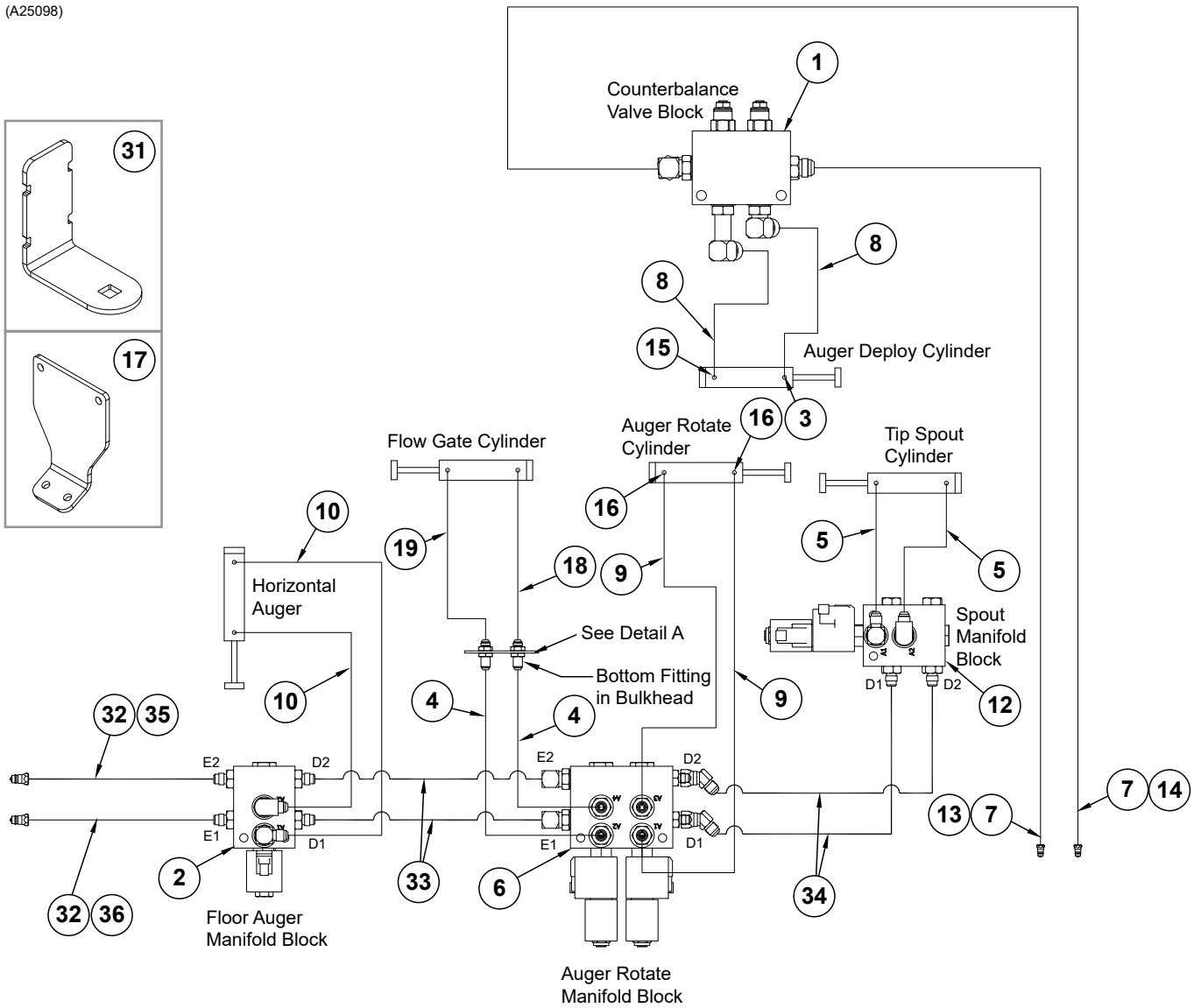
**1421/1521 Model**



ITEM	PART NO.	QTY.	DESCRIPTION
1	GD30616	1	Tire 1250/50R32, CFO
2	GA21452	1	Rim, 32" x 44", 20 Hole, 20.125" B.C.
3	GA9975	1	Valve Stem
A	GA21453	-	Tire/Wheel Assembly, L.H. (Items 1-3)
B	GA21454	-	Tire/Wheel Assembly, R.H. (Items 1-3)

**This page left blank intentionally.**

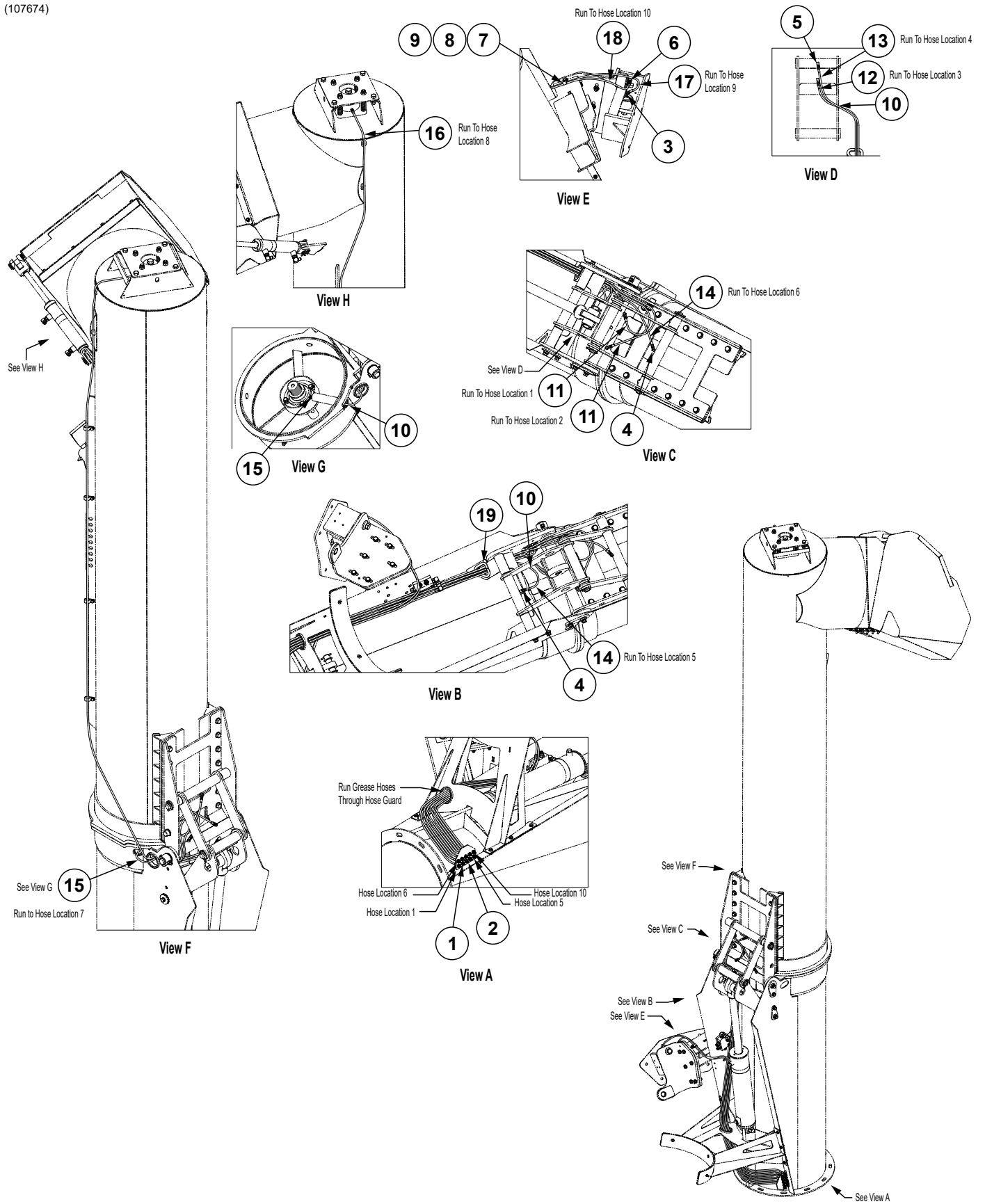
(A25098)



ITEM	PART NO.	QTY.	DESCRIPTION
1	---	-	<a href="#">See "Counterbalance Valve Block" on page P117</a>
2	---	-	<a href="#">See "Floor Auger Manifold Block Assembly" on page P119</a>
3	GA9705	1	Restrictor Elbow
4	*A7665	2	Hose Assembly, 1/4" x 158" (1421/1521)
	*A1116	2	Hose Assembly, 1/4" x 136" (1321)
	*A1121	2	Hose Assembly, 1/4" x 180" (1721)
5	*A7693-185	2	Hose Assembly, 1/4" AR x 185" (06F-06F)
6	---	-	<a href="#">See "Auger Rotate Manifold Block Assembly" on page P120</a>
7	*A26936-290 GD4086	2 -	Hose Assembly W/Tip, 3/8" x 290" ISO Coupler
8	*A15013	2	Hose Assembly, 3/8" x 32"
9	*A1140	2	Hose Assembly, 1/4" x 52"
10	*A1132	2	Hose Assembly, 1/4" x 44"
11	---	---	---
12	---	---	<a href="#">See "Spout Manifold Block Assembly" on page P118</a>
13	GA26924-02	1	Hose Label/Cover, Red (Retract)
14	GA26924-01	1	Hose Label/Cover, Red (Extend)
15	G6801-08 GR1037	1 -	Elbow W/O-Ring, 90°, 3/4"-16 Male JIC To O-Ring O-Ring
16	G6801-06 GR1045	2 -	Elbow W/O-Ring, 90°, 9/16"-18 Male JIC To O-Ring O-Ring
17	GD24296	1	Manifold Bracket
	G10004	2	Hex Head Cap Screw, 3/8"-16 x 1 1/4"
	G11091	2	Serrated Flange Nut, 3/8"-16
18	*A1098	1	Hose Assembly, 3/8" x 26"
19	*A1018	1	Hose Assembly, 3/8" x 40"
20	2701-08	2	Bulkhead Elbow, 90°, 3/4"-16 Male JIC
21	G10043	4	Hex Head Cap Screw, 5/16"-18 x 3/4"
22	G10620	4	Serrated Flange Nut, 5/16"-18
23	G2406-08-06	2	Reducer, 3/4"-16 Female JIC To 9/16"-18 Male JIC
24	G6500-08	2	Swivel Elbow, 90°, 3/4"-16 Male JIC To Female
25	G306-08	2	Lock Nut, 3/4"-16
26	GD24006	1	Flow Gate Cylinder Bulkhead
27	G6602-06	2	Swivel Tee, 9/16"-18 JIC (1721 only) (Front Only)
28	G6500-06	2	Swivel Elbow, 90°, 9/16"-18 Male JIC To Female (1721 only) (Front Only)
29	*A7666	1	Hose Assembly, 1/4" x 154"
30	*A1110	1	Hose Assembly, 1/4" x 150"
31	GD24294	-	Anchor Bracket
32	*A7691-187	2	Hose Assembly, 1/4" x 187" (06F-1/2M NPTF W/Ext., W/Tip)
33	*A1194	2	Hose Assembly, 1/4" x 30" (06F-06F)
34	*A1132	2	Hose Assembly, 1/4" x 44"
35	GA26924-03	1	Hose Label/Cover, Blue (Extend)
36	GA26924-04		Hose Label/Cover, Blue (Retract)

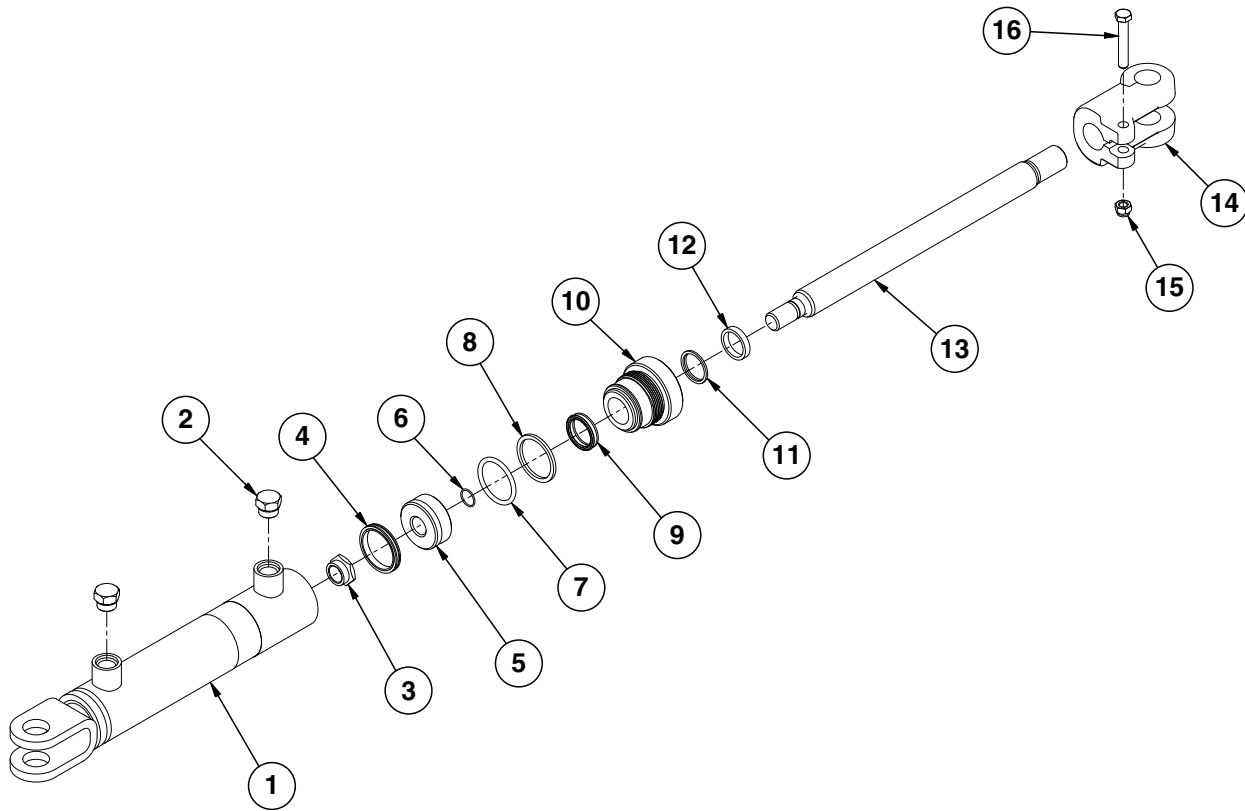
\*Hydraulic hose is not stocked by Kinze Repair Parts.

(107674)



ITEM	PART NO.	QTY.	DESCRIPTION
1	G11094	10	Hex Nut, 1/8"-27 NPSM Bulkhead
2	G10640	10	Grease Fitting, 1/4"-28
3	G5503-02-02	1	Elbow, 45°, 1/8" NPT
4	G11725	4	Grease Fitting, 45°, 1/4"-28
5	G11558	2	Adapter, 1/4"-28 x 1/8" NPTF
6	1501-02-02	1	Swivel Elbow, 1/8" NPTM x 1/8" NPTF
7	GD13348	1	Insulated Clamp, 1 1/8"
8	G10001	1	Hex Head Cap Screw, 3/8"-16 x 1"
9	G11091	1	Serrated Flange Nut, 3/8"-16
10	G10615001	3	Hose Wrap, 0.67" I.D. x 6"
11	GA27240-106	2	Grease Hose, 1/8" x 106" (02M NPT - 02M NPSM BH/04-28 UNF)
12	GA27240-114	1	Grease Hose, 1/8" x 114" (02M NPT - 02M NPSM BH/04-28 UNF)
13	GA27240-117	1	Grease Hose, 1/8" x 117" (02M NPT - 02M NPSM BH/04-28 UNF)
14	GA27240-100	2	Grease Hose, 1/8" x 100" (02M NPT - 02M NPSM BH/04-28 UNF)
15	GA27240-102	1	Grease Hose, 1/8" x 102" (02M NPT - 02M NPSM BH/04-28 UNF)
16	GA27240-265	1	Grease Hose, 1/8" x 265" (02M NPT - 02M NPSM BH/04-28 UNF)
17	GA27240-87	1	Grease Hose, 1/8" x 87" (02M NPT - 02M NPSM BH/04-28 UNF)
18	GA27240-85	1	Grease Hose, 1/8" x 85" (02M NPT - 02M NPSM BH/04-28 UNF)
19	GD35413-8.25	1	Edge Trim Protection, 1/4" x 1/2" x 8 1/4"

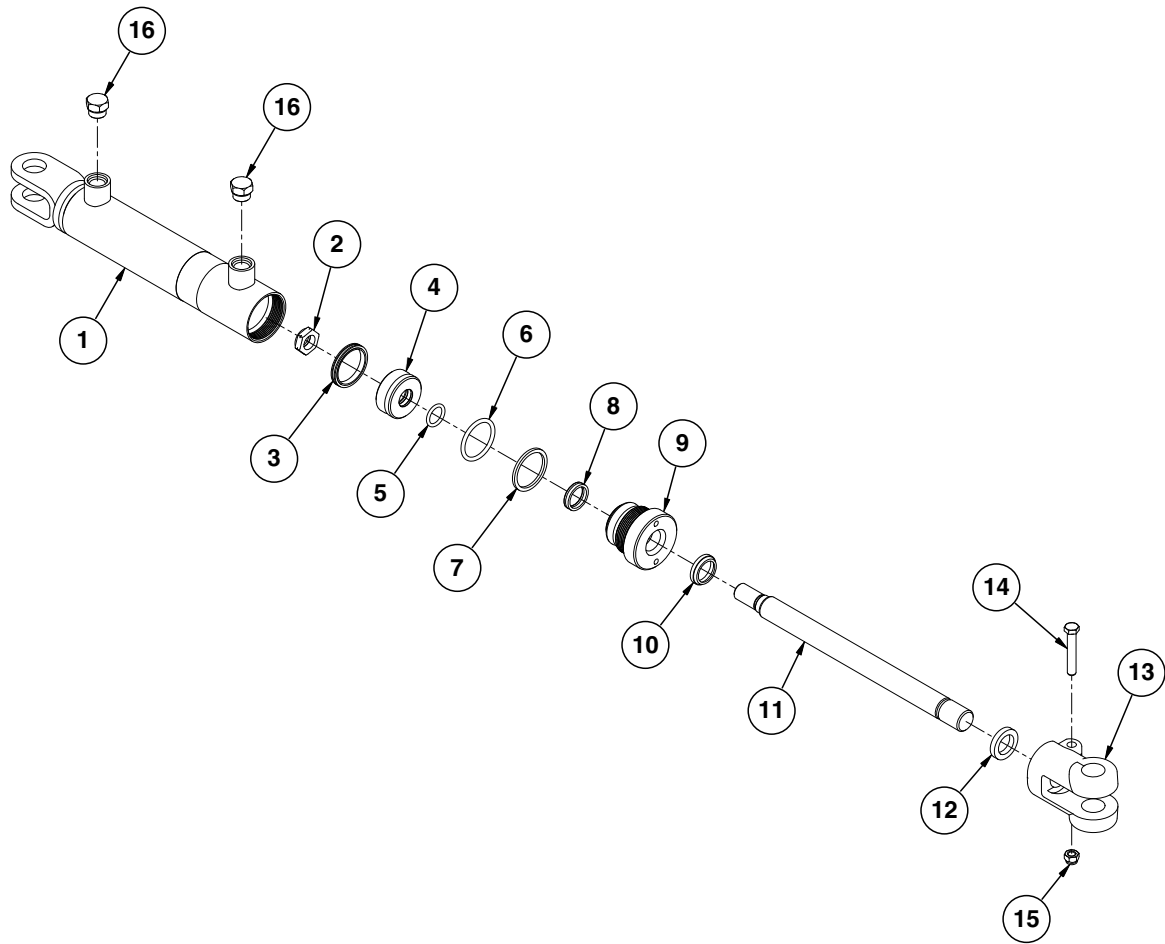
(IP1332)



ITEM	PART NO.	QTY.	DESCRIPTION
1	A17219 A8775	1 -	Barrel (1321) Barrel (1421/1521/1721)
2	G6408-08 GR1037	2 -	Plug W/O-Ring, 3/4"-16 O-Ring O-Ring
3	G10967	1	Lock Nut, 3/4"-16
4	*D12277	1	T-Seal
5	GD4632	1	Piston
6	*D12239	1	O-Ring, No. 016
7	*D12235	1	O-Ring, No. 326
8	*D12236	1	Back-Up Ring
9	*D19250	1	U-Cup
10	GD5949	1	Gland
11	*D19251	1	Wiper
12	GD19662	1	Ring
13	GD25065	1	Rod
14	GD25138	1	Clevis
15	G10108	1	Lock Nut, 3/8"-16
16	G10939	1	Hex Head Cap Screw, 3/8"-16 x 2 1/4"
A	GA17237	-	Cylinder Complete, 2" x 8" (Part Number Stamped On Barrel) (1421/1521/1721)
B	GA17220	-	Cylinder Complete, 2" x 9 1/2" (Part Number Stamped On Barrel) (1321)
C	GR1930	-	Seal Kit

\*Part of seal kit, item can not be purchased individually.

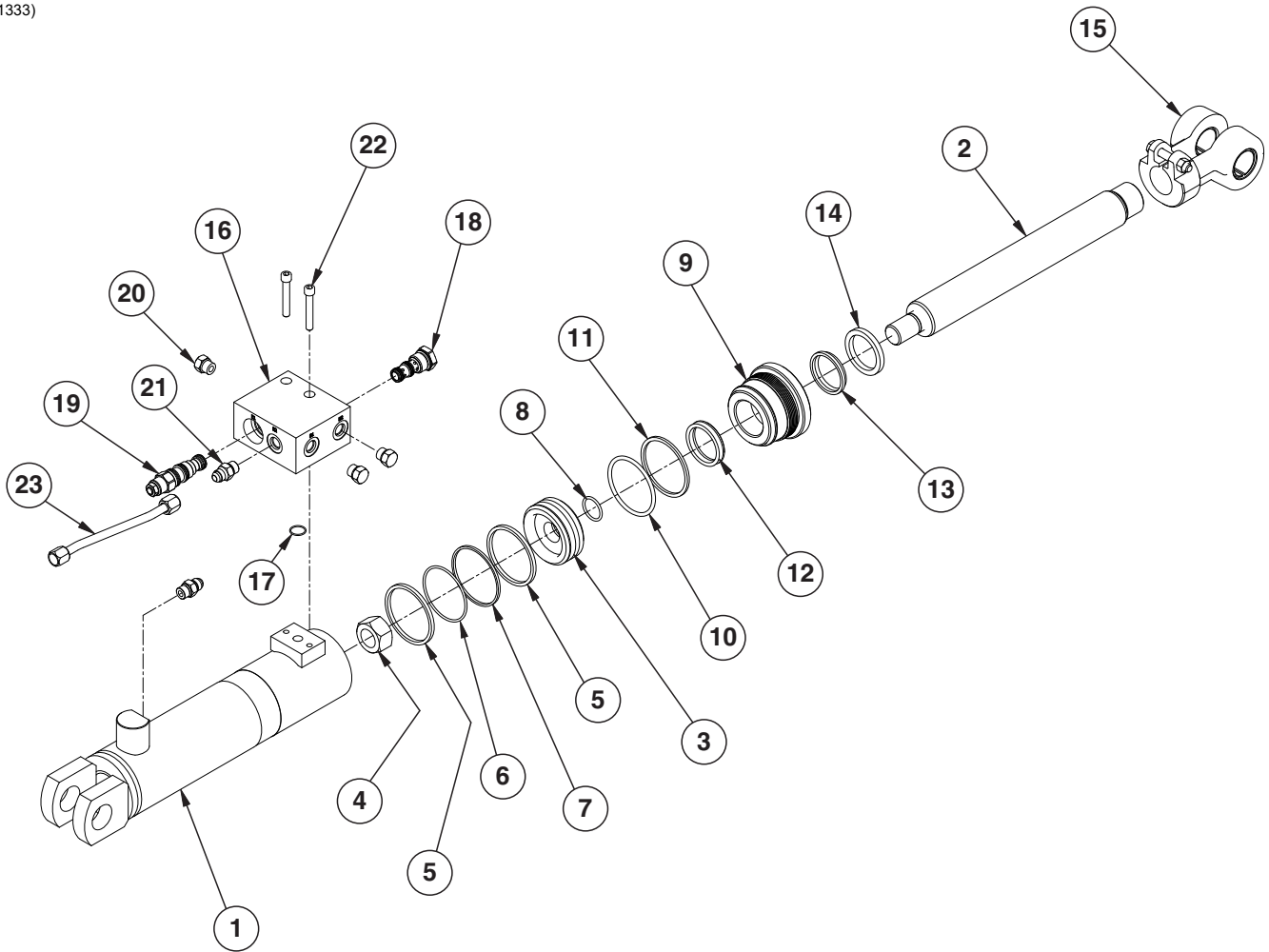
(IP1522)



ITEM	PART NO.	QTY.	DESCRIPTION
1	A8775	1	Barrel
2	GD27233	1	Nylon Lock Nut, 3/4"-16, Grade 8
3	GA26166	1	Piston Seal
4	GD29689	1	Piston
5	*D29692	1	O-Ring, No. 326
6	*D12235	1	O-Ring, No. 326
7	*D12236	1	Back-Up Ring
8	*D12256	1	U-Cup
9	GD12510	1	Gland
10	*D12233	1	Wiper Rod
11	GD30439	1	Rod
12	GD12101	1	Ring
13	GD11950	1	Clevis
14	G10939	1	Hex Head Cap Screw, 3/8"-16 x 2 1/4"
15	G10108	1	Lock Nut, 3/8"-16
16	G6408-08 GR1037	2 -	Plug W/O-Ring, 3/4"-16 O-Ring O-Ring
A	GA21166	-	Cylinder Complete, 2" x 8" (Part Number Stamped On Barrel)
B	GR2229	-	Seal Kit, Includes: (1) Wiper Rod, (2) U-Cup, (3) O-Rings, (1) Back-Up Ring, (1) T-Seal

\*Part of seal kit, item can not be purchased individually.

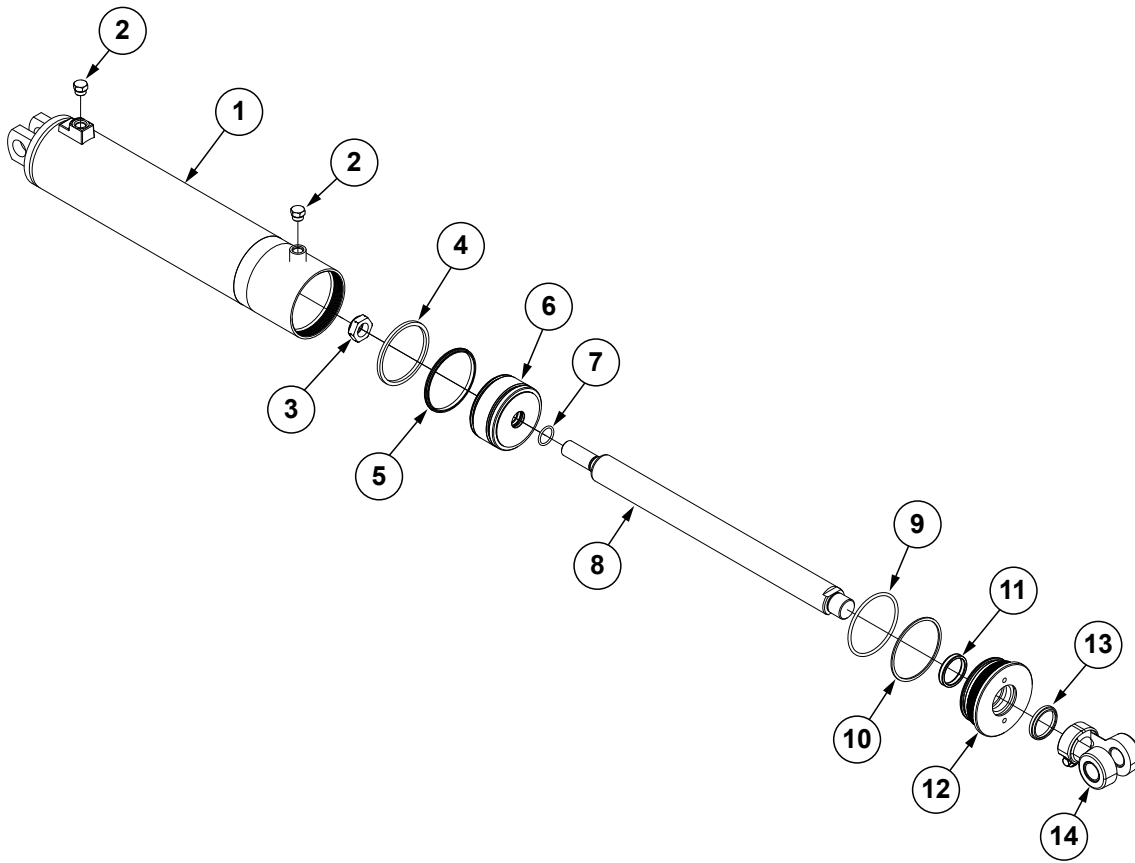
(IP1333)



ITEM	PART NO.	QTY.	DESCRIPTION
1	A16132	1	Barrell
2	GD16202	1	Rod
3	GD16200	1	Piston
4	G10958	1	Lock Nut, 1"-14
5	*D12050	2	Piston Ring, 3"
6	*D12051	1	Piston Seal, 3"
7	*D12209	1	Energizer Seal, 3"
8	*D12208	1	O-Ring, No. 214
9	GD11984	1	Gland
10	*D12202	1	O-Ring, No. 334
11	*D12203	1	Back-Up Ring
12	*D12253	1	U-Cup
13	*D12200	1	Wiper, 1¾"
14	*D12104	1	Ring
15	GA8130	1	Clevis W/Bushings, Hex Head Cap Screw And Hex Nut
	GD11751	-	Steel Bushing, 1" Wide
	G10939	-	Hex Head Cap Screw, ¾"-16 x 2¼"
	G10101	-	Hex Nut, ¾"-16
16	GD23404	1	Block
17	GD12239	1	O-Ring, No. 016
18	GA13965	1	Bi-Directional Flow Control
19	GA8882	1	Counter Balance Valve
	GR1517	-	Seal Kit For Counter Balance Valve, Includes: (3) O-Rings, (3) BU Rings
20	G6408-06	3	Plug W/O-Ring, ¼"-18 O-Ring
	GR1045	-	O-Ring
21	G6400-06	2	Connector W/O-Ring, ¼"-18 Male JIC To O-Ring
	GR1045	-	O-Ring
22	G10932	2	Hex Socket Head Cap Screw, 5/16"-18 x 2", Grade 8
23	GA16133	1	Hydraulic Steel Tube, ¾"
A	GA16134	-	Cylinder Complete, 3" x 10" ( <i>Part Number Stamped On Barrel</i> ) W/Block
B	GR1740	1	Seal Kit, Includes: (1) Wiper, (1) U-Cup, (2) O-Rings, (1) BU Ring, (2) Cast Iron Rings, (1) Seal, (1) Energizer

\*Item is part of seal kit, item can not be purchased individually.

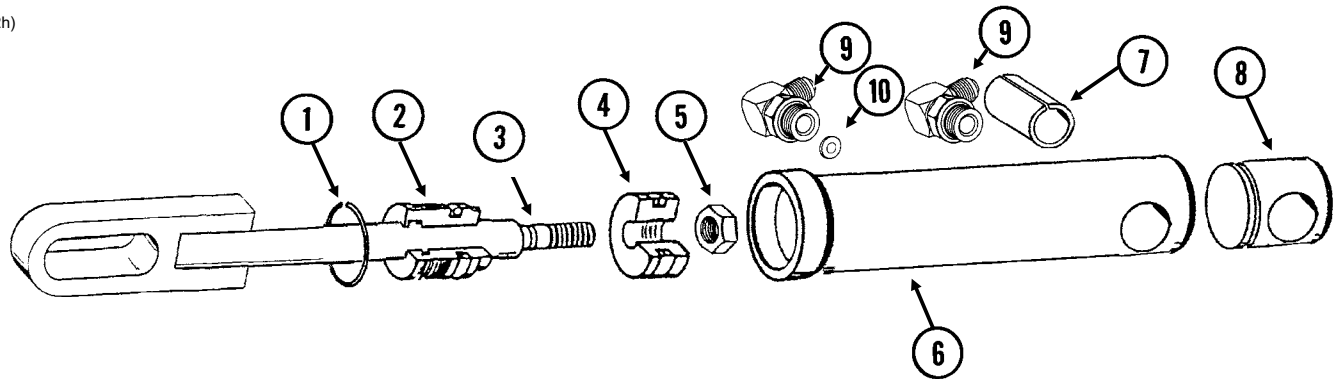
(IP1568)



ITEM	PART NO.	QTY.	DESCRIPTION
1	A9610	1	Barrel
2	G6408-08 GR1037	2 -	Plug W/O-Ring, 3/4"-16 O-Ring O-Ring
3	GD27236	1	Nylon Lock Nut, 1 1/8"-12, Grade 8
4	*D12092	1	Piston Ring
5	*A24474	1	Piston Seal
6	GD29667	1	Piston
7	*D29666	1	O-Ring, No. 217
8	GD29668	1	Rod
9	*D12246	1	O-Ring, No. 348
10	*D12247	1	Back-Up Ring
11	*D12255	1	U-Cup
12	GD12572	1	Gland
13	*D12240	1	Wiper, 2"
14	GA8130 GD11751 G10939 G10101	1 - - -	Clevis W/Bushings, Hex Head Cap Screw, And Hex Nut Steel Bushing, 1" Wide Hex Head Cap Screw, 3/8"-16 x 2 1/4" Hex Nut, 3/8"-16
---	GA20808	---	Cylinder Complete, 4 3/4" x 20" (Part Number Stamped On Barrel)
---	GR1600	1	Seal Kit, Includes: (1) Wiper, (1) U-Cup, (2) O-Rings, (1) BU Ring, (1) BP Piston Seal, (1) Piston Ring, (1) Piston Seal

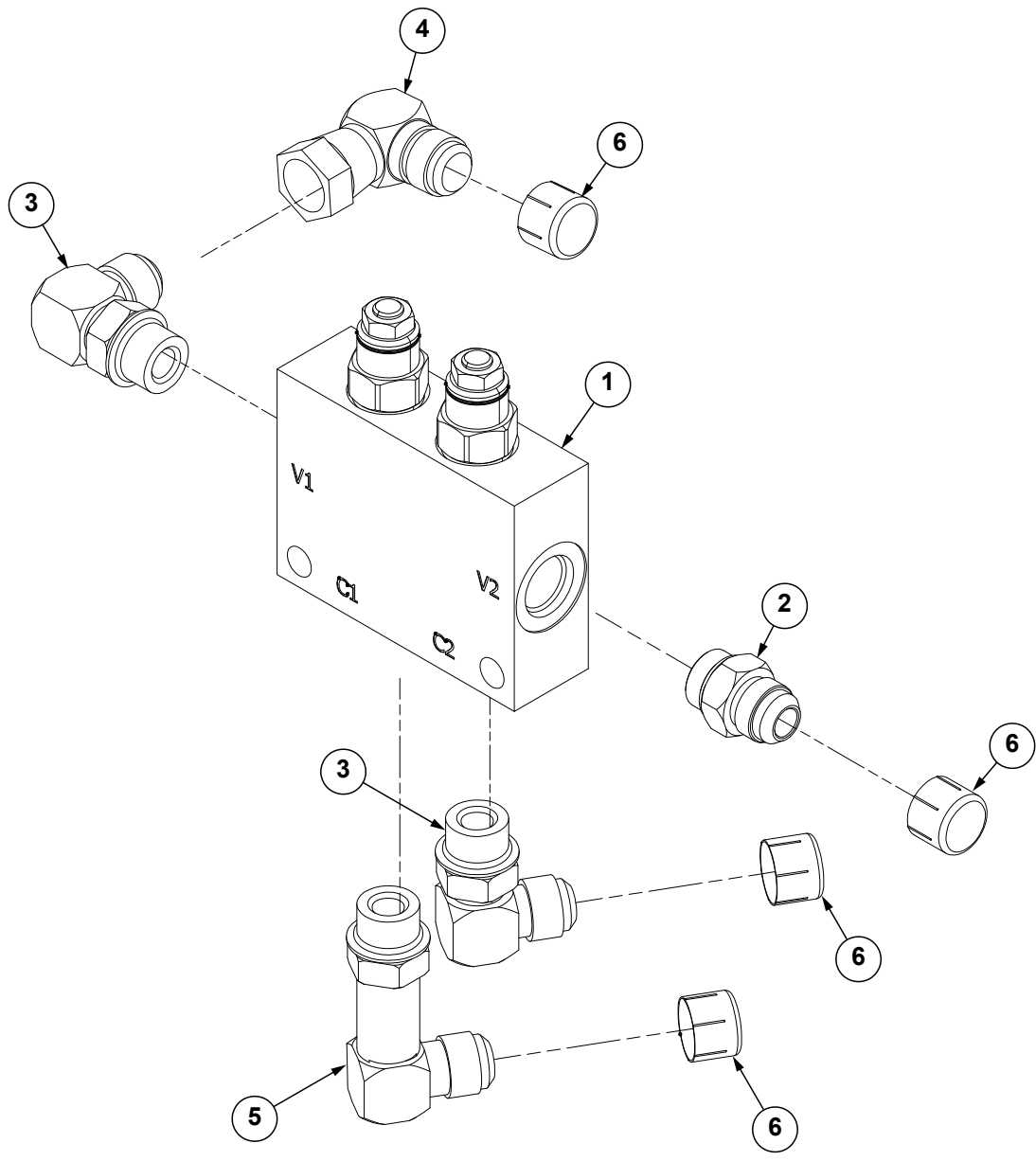
\*Item is part of seal kit, item can not be purchased individually.

(CYL2h)



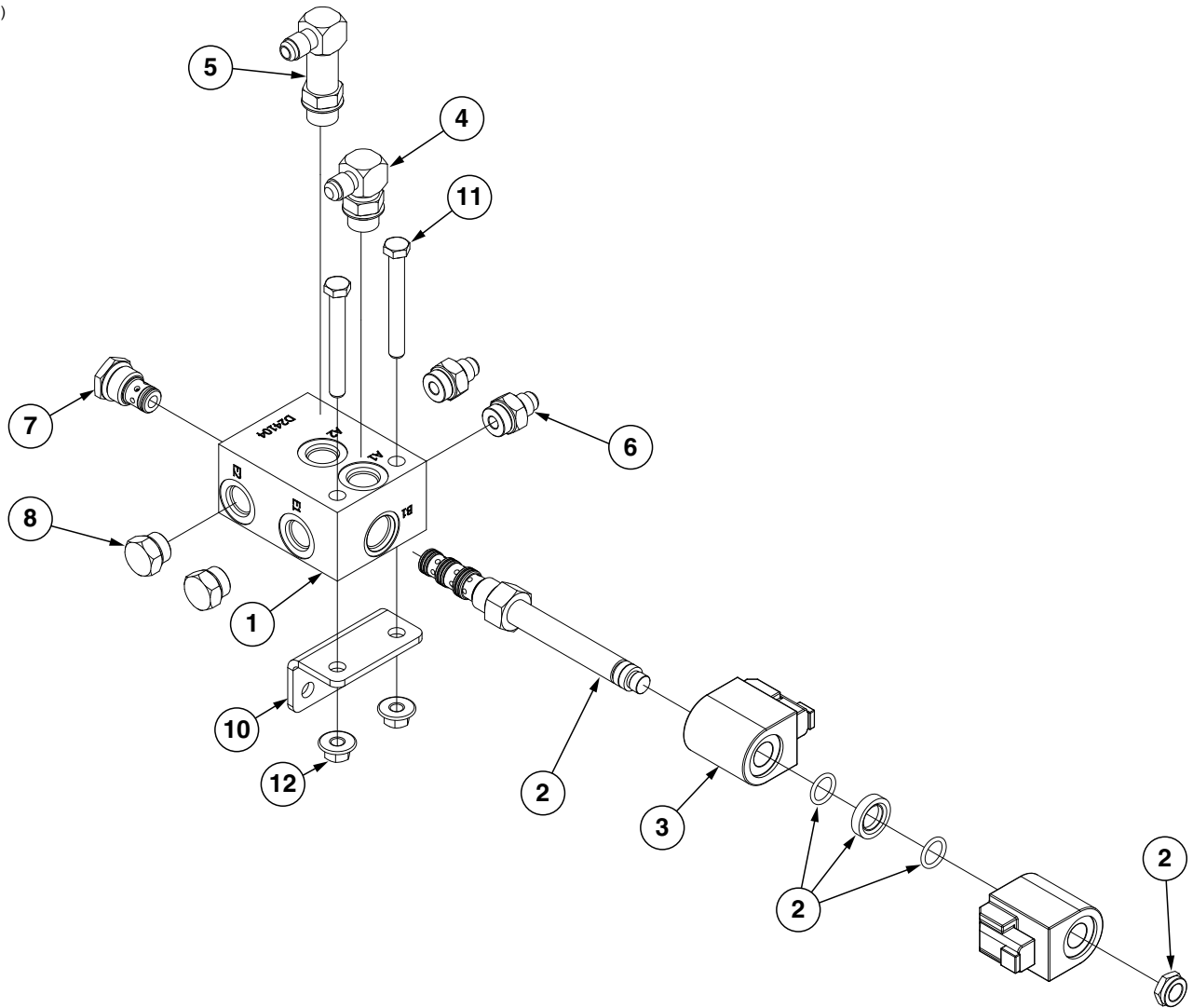
ITEM	PART NO.	QTY.	DESCRIPTION
1	G10770	1	Internal Retaining Ring, 1 <sup>11</sup> / <sub>16</sub> "
2	GA13651	1	Head Gland Assembly (Includes Back-Up Ring, O-Ring, U-Cup, Wiper, Bushing, and Head Gland)
3	GA9561	1	Rod Assembly
4	GD13172	1	Piston
5	GD27232	1	Nylon Lock Nut, 1/2"-20, Grade 8
6	D13169	1	Barrel
7	GD13400	1	Tension Bushing, 1" x 2" Long
8	GD13173	1	End Cap
9	G6801-06-08 GR1037	2 -	Elbow W/O-Ring, 90°, 9/16"-18 Male JIC To 3/4"-16 O-Ring O-Ring
10	GD13541	1	Orifice Plate, One-Way Restriction
A	GA9616	-	Cylinder Complete, 1 1/2" x 2 1/2" (Part Number Stamped On Barrel)
B	GR1598	-	Seal Kit, Includes: (3) O-Rings, (2) BU Rings, (1) Wiper, (1) T-Seal, (1) Bronze Bushing, (1) Seal, (1) U-Cup

(A16825)



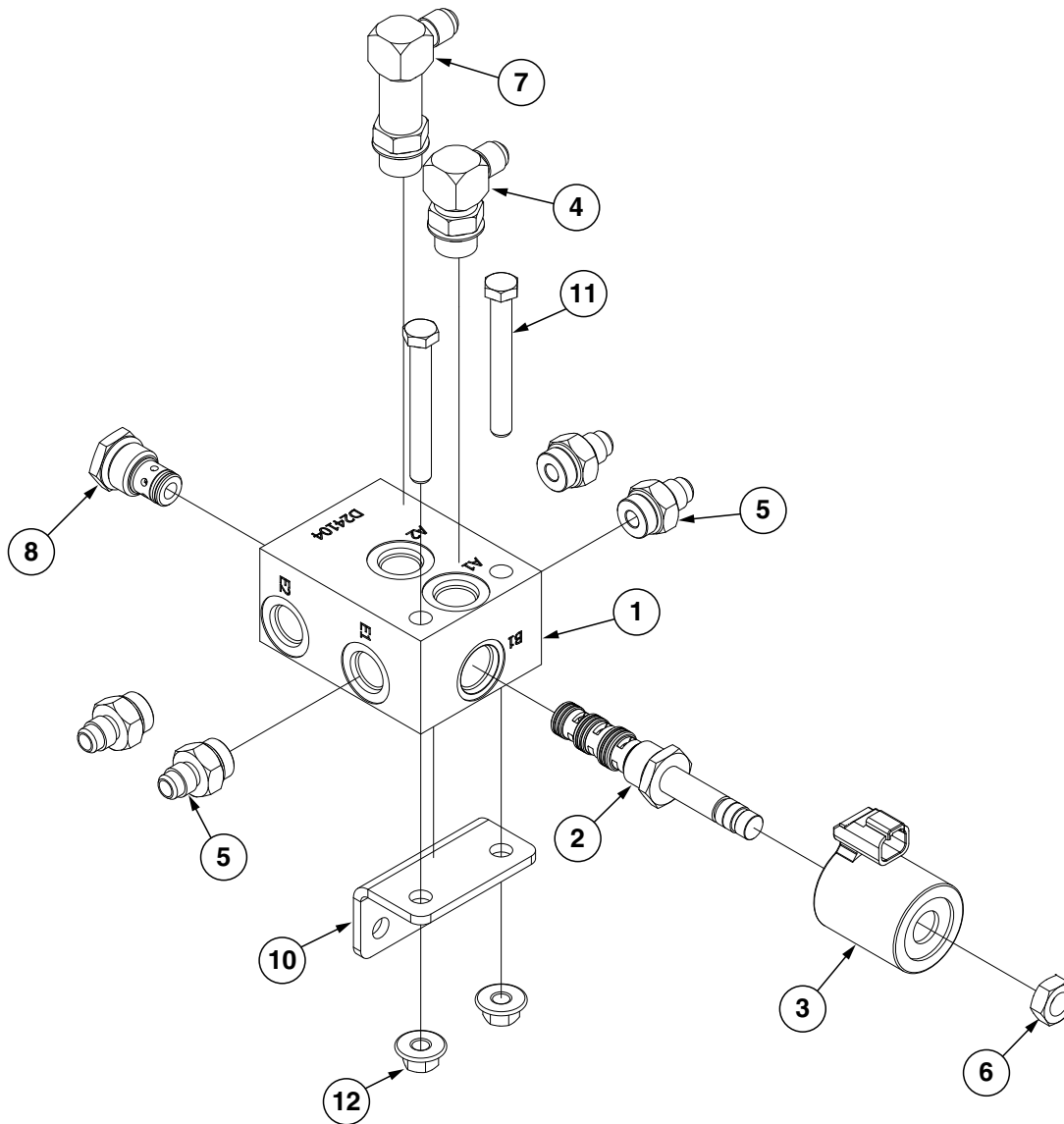
ITEM	PART NO.	QTY.	DESCRIPTION
1	GD13499 GA19431 GR1517	1 - -	Valve Block Counter Balance Valve Seal Kit For Counter Balance Valve, Includes: (3) O-Rings, (3) BU Rings
2	G6400-08 GR1037	1 -	Connector W/O-Ring, 3/4"-16 Male JIC To O-Ring O-Ring
3	G6801-08-08	2	Elbow W/O-Ring, 90°, 3/4"-16 x 3/4"-16
4	G6500-08	1	Swivel Elbow, 90°, 3/4"-16 Male JIC To Female
5	G6801-LL-08	1	X-Long Elbow W/O-Ring, 90°, 3/4"-16 Male JIC To O-Ring
6	G10492	4	Thread Protector, 3/4"-16

(A16822)



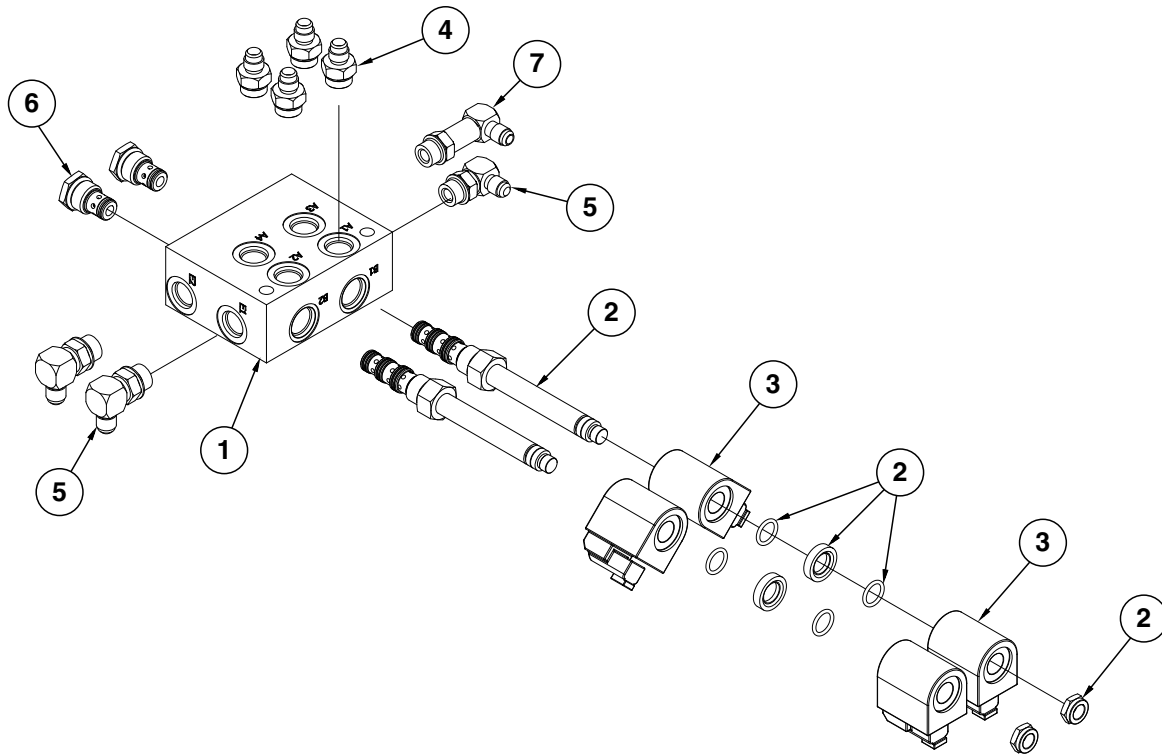
ITEM	PART NO.	QTY.	DESCRIPTION
1	GD24104	1	Block
2	GA11365	1	Spool Valve Assembly
	GR1750	-	Hex Nut
	GR1756	-	Seal Kit
3	GA16676	2	Coil
4	G6801-06-08	1	Connector W/O-Ring, 1/8"-18 Male JIC To 3/4"-16 O-Ring
	GR1037	-	O-Ring
5	G6801-LL-06-08	1	X-Long Elbow W/O-Ring, 90°, 1/8"-18 Male JIC To 3/4"-16 O-Ring
6	6400-06-08	2	Connector W/O-Ring, 1/8"-18 Male JIC To 3/4"-16 O-Ring
	GR1037	-	O-Ring
7	GA4293	1	Check Valve
8	G6408-08	2	Plug W/O-Ring, 3/4"-16 O-Ring
	GR1037	-	O-Ring
9	---	-	---
10	GD24295	1	Manifold Bracket
11	G10062	2	Hex Head Cap Screw, 3/8"-16 x 3"
12	G11091	2	Serrated Flange Nut, 3/8"-16

(A16823)

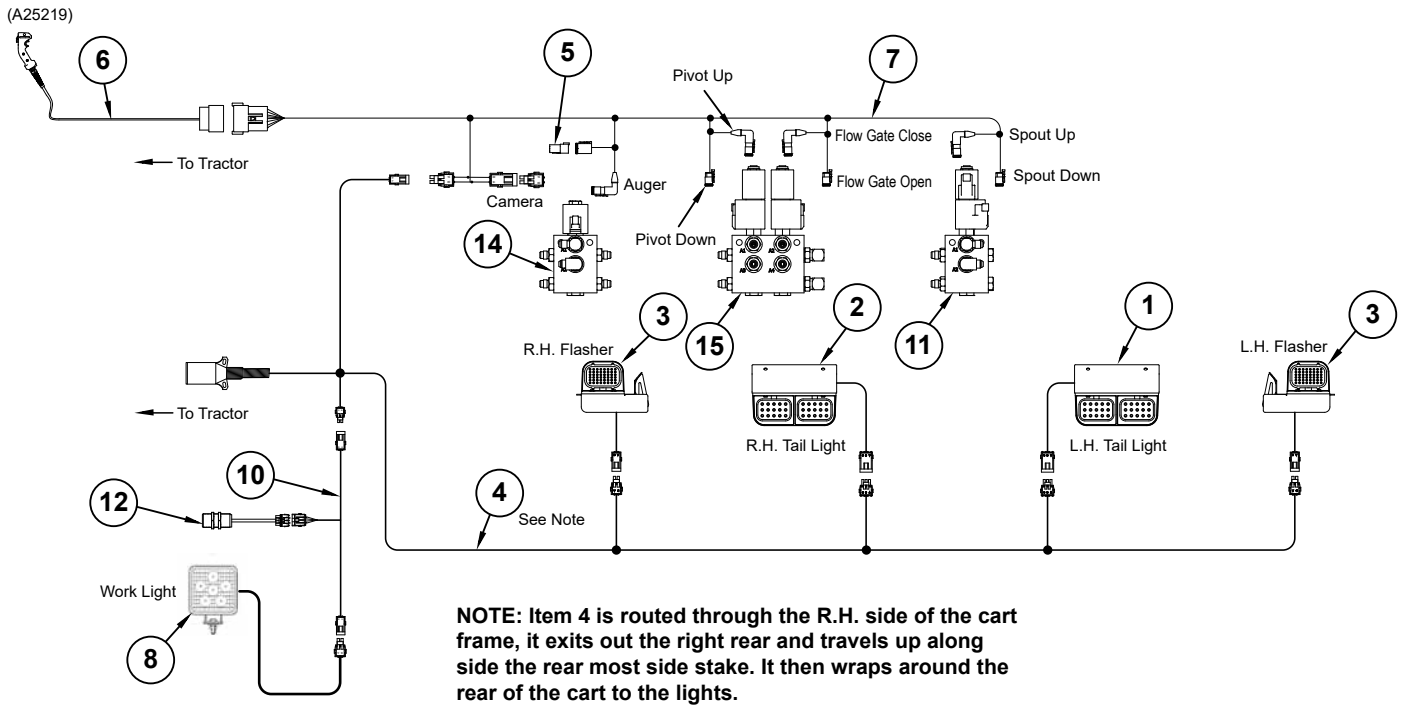


ITEM	PART NO.	QTY.	DESCRIPTION
1	GD24104	1	Block
2	GA16675	1	Spool Valve
3	GA14799	1	Coil
4	G6801-06-08 GR1037	1 -	Elbow W/O-Ring, 90°, 1/16"-18 Male JIC To 3/4"-16 O-Ring O-Ring
5	6400-06-08 GR1037	4 -	Connector W/O-Ring, 1/16"-18 Male JIC To 3/4"-16 O-Ring O-Ring
6	GR0761	1	Special Hex Nut, 1/2"-20
7	G6801-LL-06-08	1	X-Long Elbow W/O-Ring, 90°, 1/16"-18 Male JIC To 3/4"-16 O-Ring
8	GA4293	1	Check Valve
9	---	-	---
10	GD24295	1	Manifold Bracket
11	G10062	2	Hex Head Cap Screw, 3/8"-16 x 3"
12	G11091	2	Serrated Flange Nut, 3/8"-16

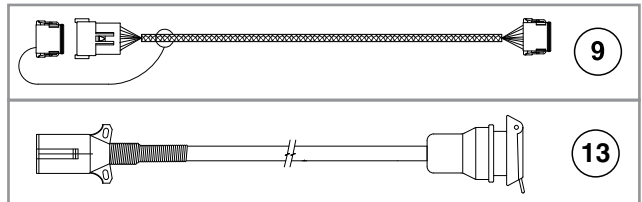
(A16824)



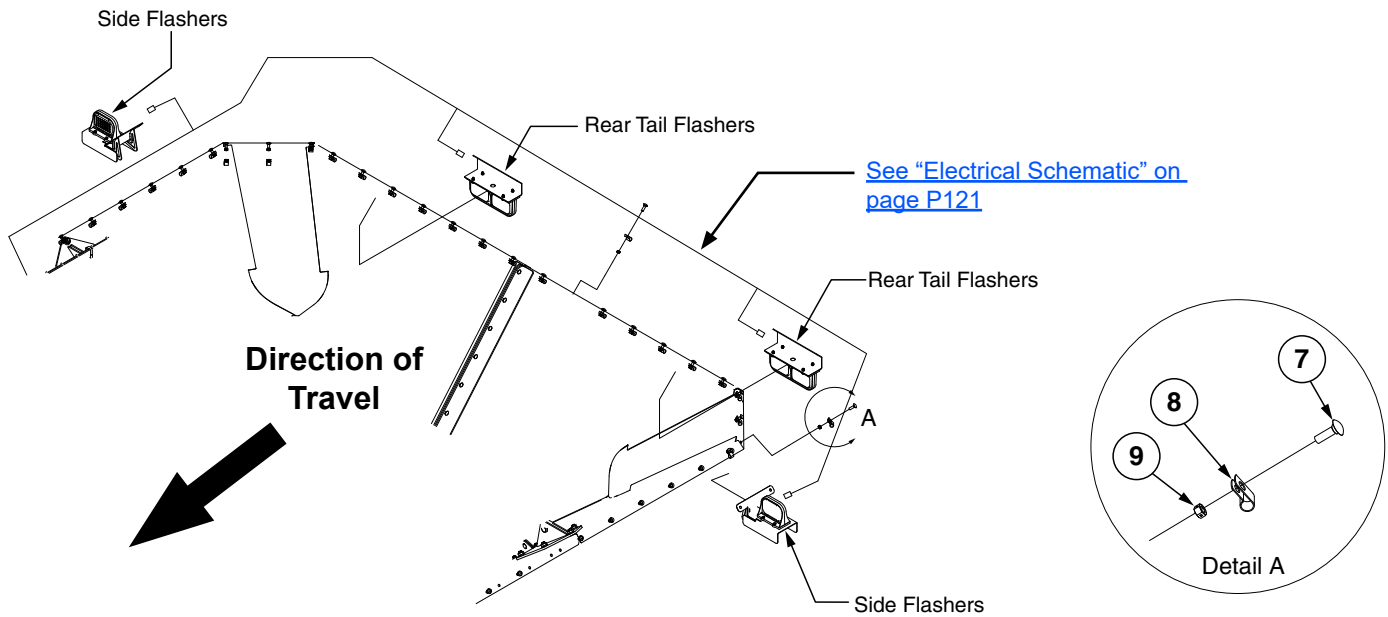
ITEM	PART NO.	QTY.	DESCRIPTION
1	GD24105	1	Block
2	GA11365	2	Spool Valve Assembly
	GR1750	-	Hex Nut
	GR1756	-	Seal Kit
	GR2080	-	Valve Installation Kit
3	GA16676	4	Coil
4	6400-06-08	4	Connector W/O-Ring, 1/16"-18 Male JIC To 3/4"-16 O-Ring
	GR1037	-	O-Ring
5	G6801-06-08	3	Elbow W/O-Ring, 90°, 1/16"-18 Male JIC To 3/4"-16 O-Ring
	GR1037	-	O-Ring
6	GA4293	2	Check Valve
7	G6801-LL-06-08	1	X-Long Elbow W/O-Ring, 90°, 1/16"-18 Male JIC To 3/4"-16 O-Ring



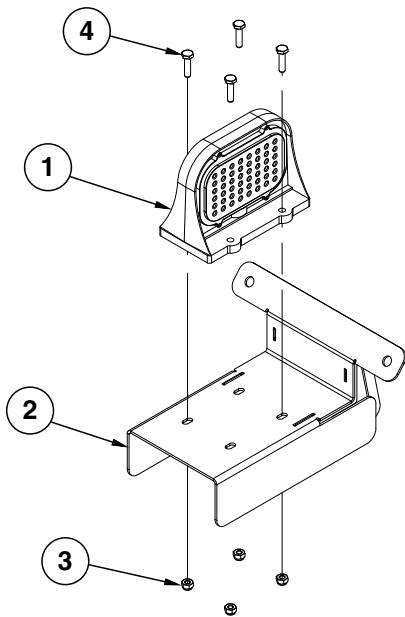
**NOTE:** Item 4 is routed through the R.H. side of the cart frame, it exits out the right rear and travels up along side the rear most side stake. It then wraps around the rear of the cart to the lights.



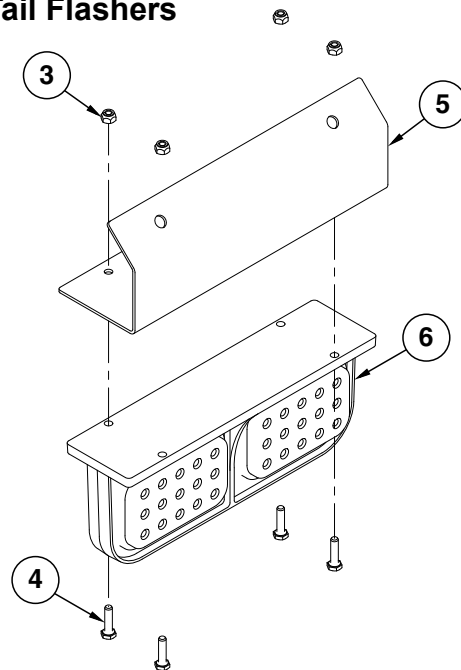
ITEM	PART NO.	QTY.	DESCRIPTION
1	---	1	<a href="#">See "Safety/Warning Lights" on page P123</a>
2	---	1	<a href="#">See "Safety/Warning Lights" on page P123</a>
3	---	2	<a href="#">See "Safety/Warning Lights" on page P123</a>
4	G10536501	1	Cart Lighting Cable
5	GA20462	1	Configuration Plug
6	G10113301	1	Handheld Control
7	GA16353	1	Cart Control Cable
8	GA15472	1	Work Light
9	GA16354	-	Control Cable Extension, 15'
10	GA20045	1	Work Light Cable
11	---	1	<a href="#">See "Spout Manifold Block Assembly" on page P118</a>
12	GD29033	-	Worklight Relay, 6 Amp
13	GA18949	-	Extension Harness
14	---	1	<a href="#">See "Floor Auger Manifold Block Assembly" on page P119</a>
15	---	1	<a href="#">See "Auger Rotate Manifold Block Assembly" on page P120</a>



**Side Flashers**

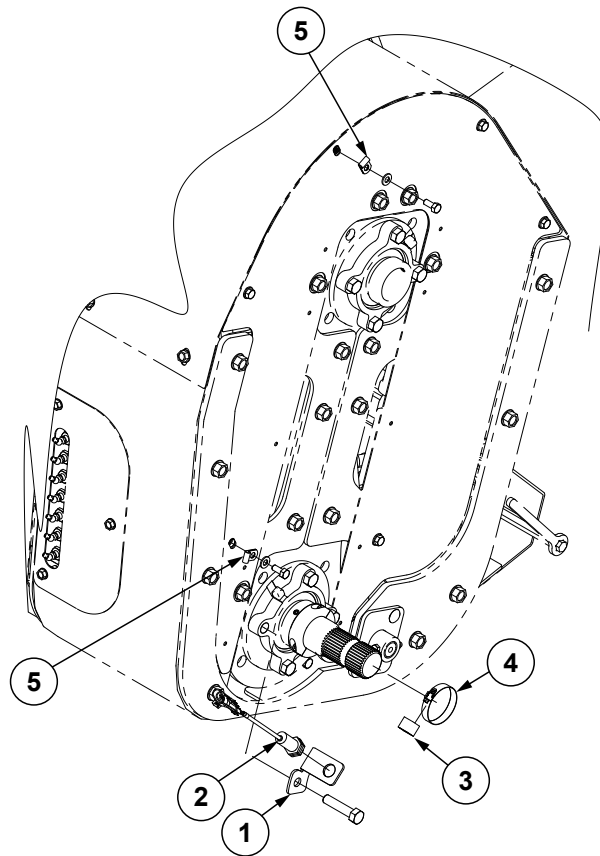


**Rear Tail Flashers**

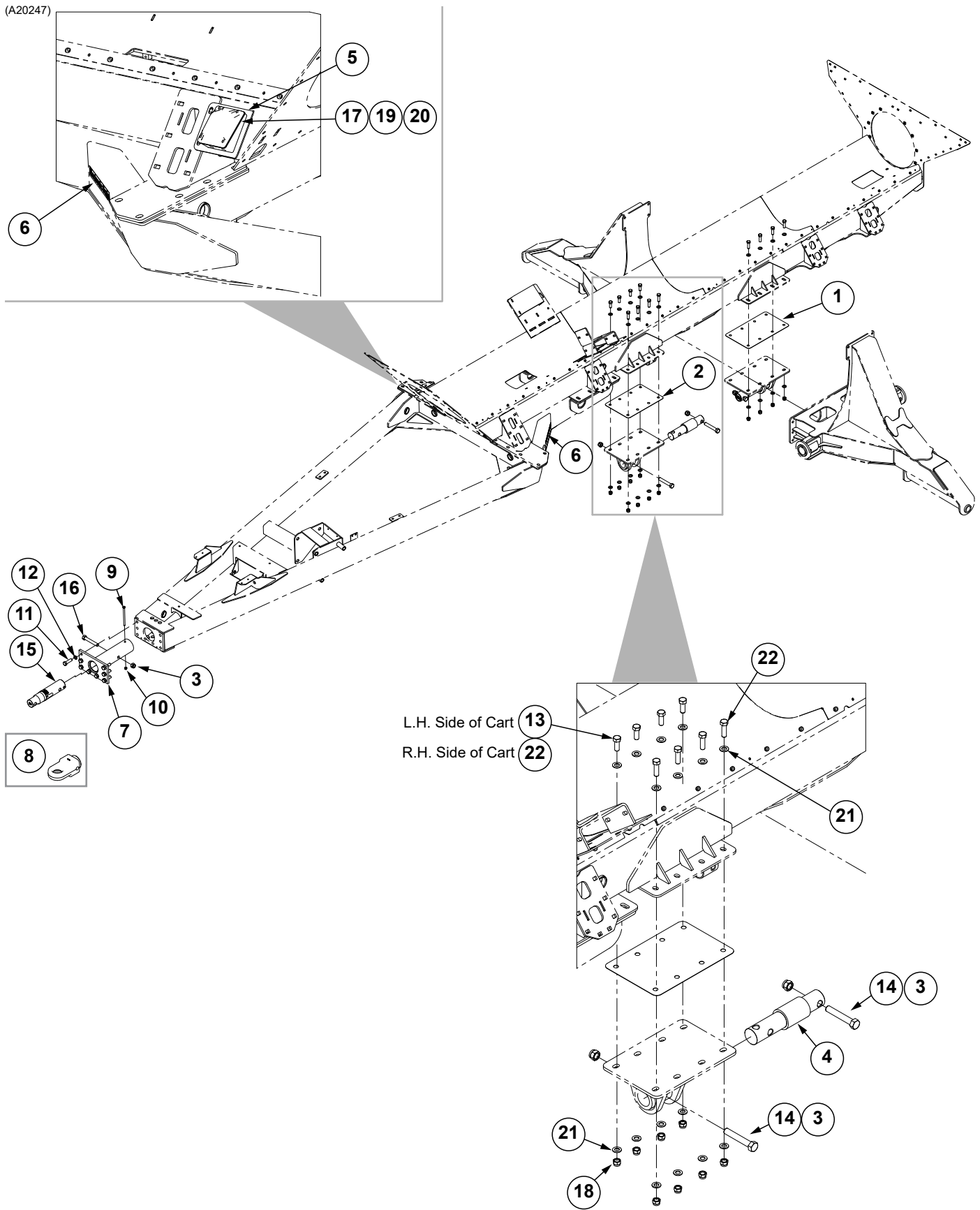


ITEM	PART NO.	QTY.	DESCRIPTION
1	GA15471	1	Flasher
2	GA22330	1	Light Bracket
3	G10110	4	Lock Nut, 1/4"-20, Grade B
4	G10064	4	Hex Head Cap Screw, 1/4"-20 x 1"
5	GD23982	1	Tail Light Bracket
6	GA15470	1	Tail Flasher, L.H.
	GA15469	-	Tail Flasher, R.H.
7	G10599	-	Carriage Bolt, 3/8"-16 x 1 1/4"
8	GD13348	-	Insulated Clamp, 1 1/16"
9	G10108	-	Lock Nut, 3/8"-16

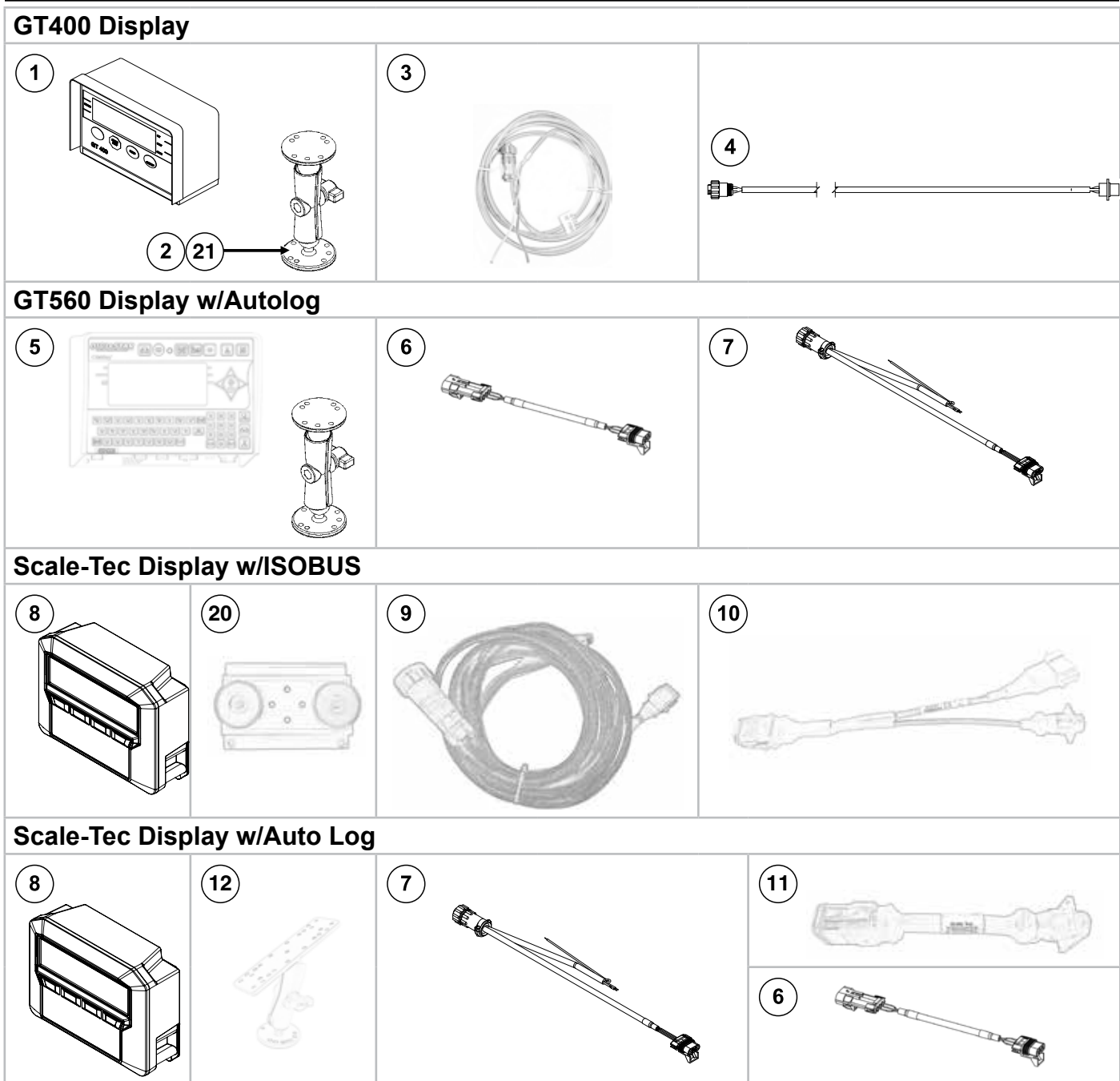
(111176)



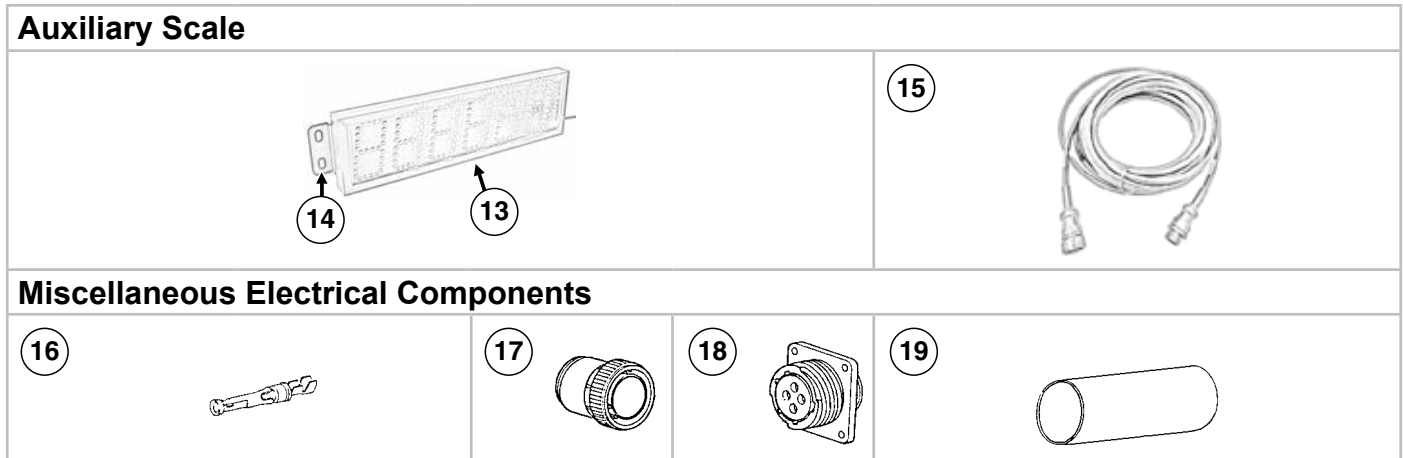
ITEM	PART NO.	QTY.	DESCRIPTION
1	GD36973	1	RPM Sensor Bracket
2	GD26448	1	AutoLog Rotation Counter Sensor
3	GD26449	1	Target
4	GD26450	1	Hose Clamp, 24SS
5	GD36981	2	Insulated Clamp, 1/4"



ITEM	PART NO.	QTY.	DESCRIPTION
1	GD29310	2	Shim, .06" (As Required)
2	GD29309	2	Shim, .06" (As Required)
3	G10396	9	Lock Nut, 1"-8
4	GA20249	4	Weigh Beam
5	GD24972	1	Junction Box Mounting Bracket
6	G7100-130	2	<a href="#">See "Decals, Paint, and Miscellaneous" on page P129</a>
7	GA19882	1	Receiver Weigh Bar
8	---	---	<a href="#">See "Clevis Hitch Assemblies" on page P15</a>
9	G11200	1	Hex Head Cap Screw, ½"-13 x 8"
10	G10111	1	Lock Nut, ½"-13
11	G10441	8	Hex Head Cap Screw, 7/8"-9 x 3", Grade 8
12	G10330	8	Lock Washer, 7/8"
13	G10026	8	Hex Head Cap Screw, ¾"-10 x 2"
14	G10648	8	Hex Head Cap Screw, 1"-8 x 6", Grade 8
15	GA24606	1	Hitch Weigh Beam
16	G11187	1	Hex Head Cap Screw, 1"-8 x 6½", Grade 8
17	GA18777	1	Junction Box W/30' Cable
	G11229	4	Slotted Pan Head Self-Tapping Screw, 10-16 x ½"
	GR1431	1	Cable, 30'
	GA6772	1	Battery Power Cable, 10'
18	G10112	32	Lock Nut, ¾"-10
19	G10395	4	Hex Nut, No. 10-24
20	G10331	4	Pan Head Machine Screw, No. 10 x 5/8"
21	G11392	64	Flat Washer, ¾" SAE
22	G10027	24	Hex Head Cap Screw, ¾"-10 x 2½"

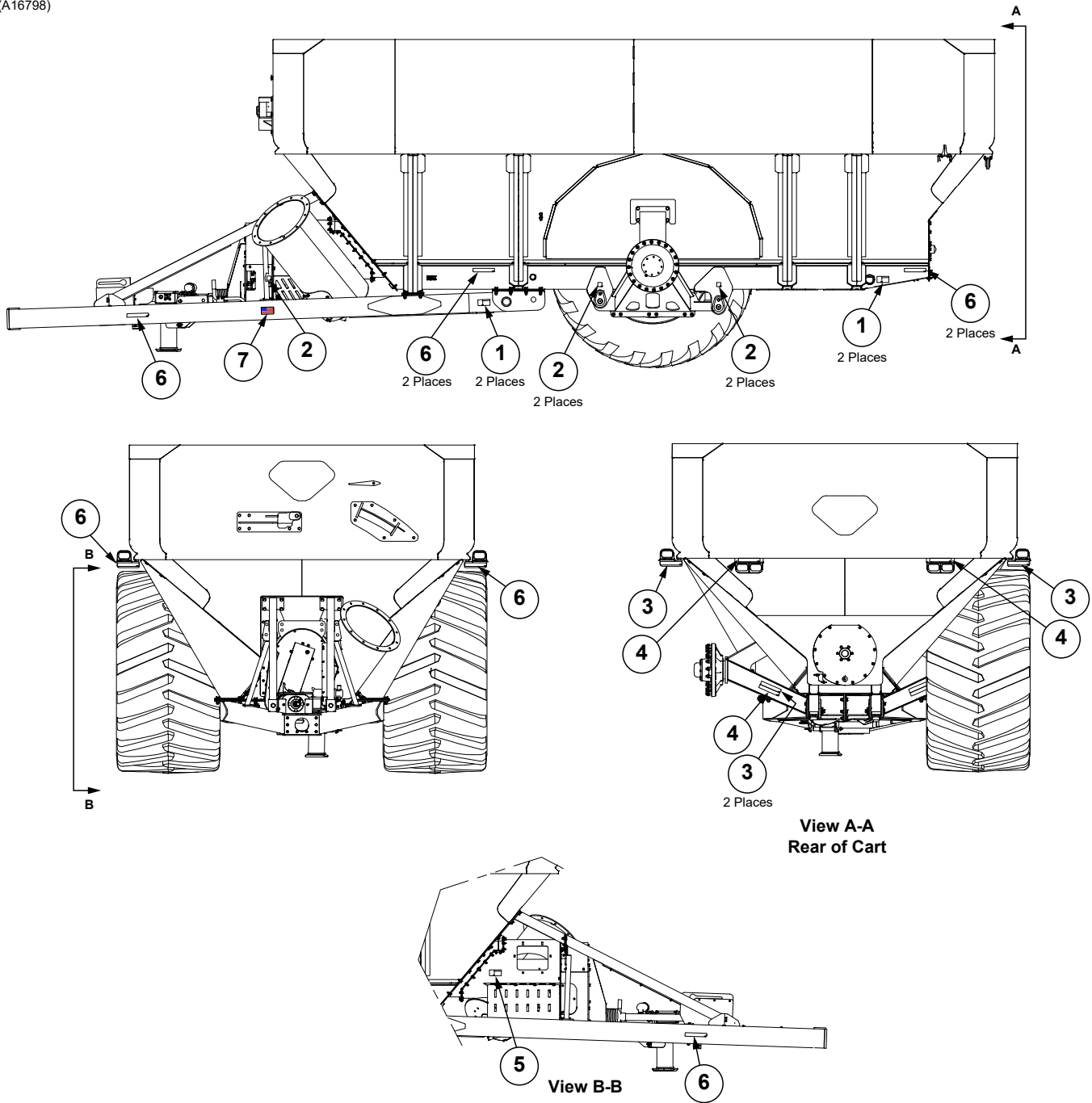


ITEM	PART NO.	QTY.	DESCRIPTION
1	G8367X	1	GT 400 Indicator (Factory Calibration Required - Specify Wagon Type)
2	GA12403	-	Mounting Bracket Assembly, Includes: (2) Mounting Brackets, (2) Connector Halves, (1) Compression Spring, (1) Tension Knob, (1) 1/4"-20 x 1 3/4" Hex Head Cap Screw, (1) 1/4" Plastic Washer, (1) 1/4" Steel Washer
	GR1762	-	Console Mounting Bracket Hardware Package, Includes: (3) No. 10-32 x 5/8" Hex Socket Pan Head Screws, (3) 1/4" Lock Washers
3	GA25604	1	Power Cable, 10' (2 Wire)
4	G10565201	1	Cable Extension (To Junction Box Cable)
5	GA23975	1	GT 560 Indicator (Subs to G11118101)
	GA23916	1	EZIII Ram Mounting Assembly, Includes: (1) 1 1/2" Ram mount Assembly, EZIII Ram Mounting Bracket, and Required Hardware



ITEM	PART NO.	QTY.	DESCRIPTION
6	GD26447	1	RC Sensor Extension Cable, 16'
7	GD33123	1	RPM Sensor Cable
8	G11118101	1	Scale-Tec Monitor
9	G11117901	1	ISOBUS Scale Harness
10	G11143901	1	ISOBUS Remote Display Harness
11	G11118001	1	ISOBUS Adapter
12	G11118401	1	Ram Mount Assembly
13	G10484001	1	Scale Display
	G10327601	2	Magnet
14	G11114801	2	Scale Display Bracket
	G11068	4	Phillips Flat Head Machine Screw, No. 10-24 x 5/8", Stainless Steel
	G11206	4	Lock Nut, No. 10-32
15	G10813301	-	Auxiliary Scale Display Extension Harness
16	GR1171	-	Female Socket Contact
17	GR1068	-	Connector, Male
18	GR1170	-	Connector, Female
19	GR1069	-	Shrink Tube, 2 1/2"
20	G11117801	1	Magnetic Mount Assembly
21	G10966	4	Phillips Head Self-Tapping Screw, No. 10 x 1/2"

(A16798)

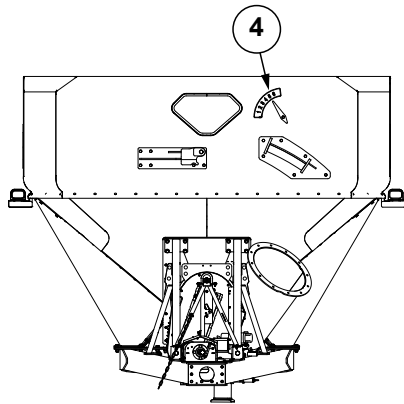
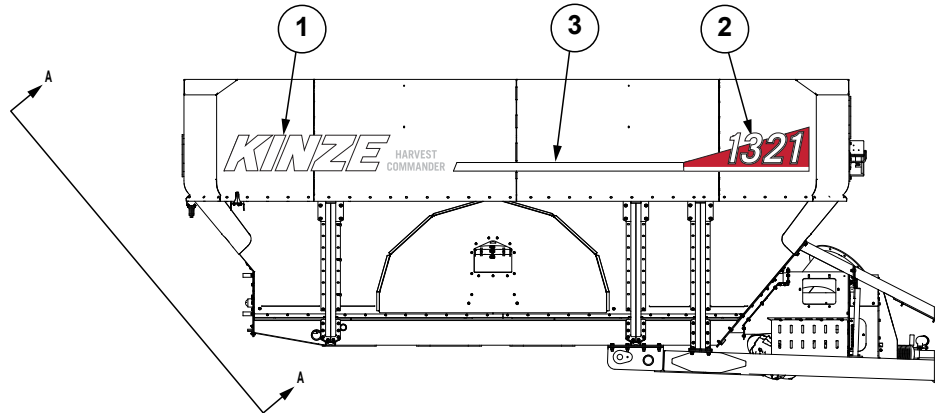
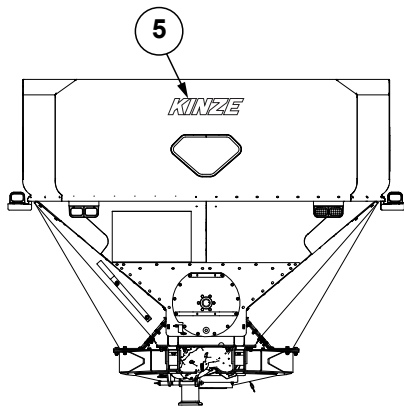


ITEM	PART NO.	QTY.	DESCRIPTION
1	G7100-451	4	Decal, Warning
2	G7100-110	5	Decal, Grease Weekly (2022-2025 Production)
3	G7100-557	4	Reflective Decal, Red, 2" x 9", Rectangular
4	G7100-559	4	Reflective Decal, Orange, 2" x 9", Rectangular
5	G7100-387	1	Decal, Warning
6	G7100-558	8	Reflective Decal, Amber, 2" x 9", Rectangular
7	G7100-484	1	Decal, American Flag (2022-2025 Production)

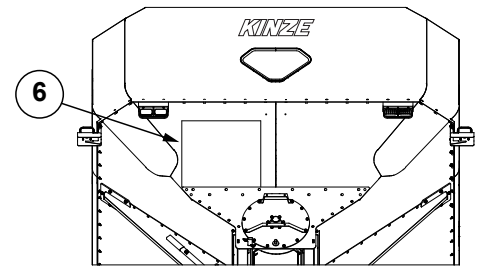
(105908)

2022-2025 Production

Model 1321 Shown



View B



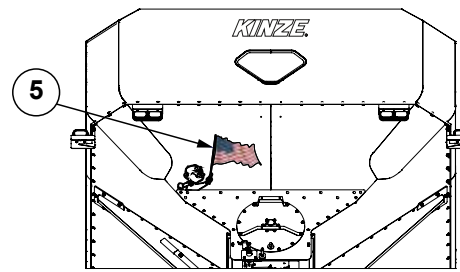
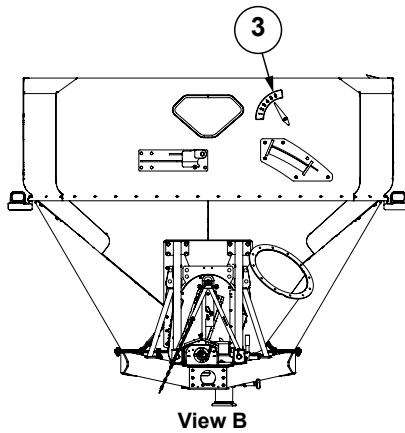
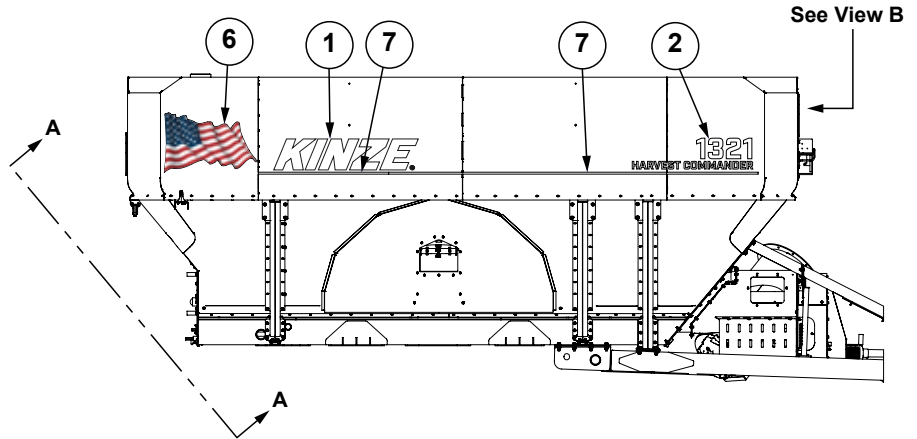
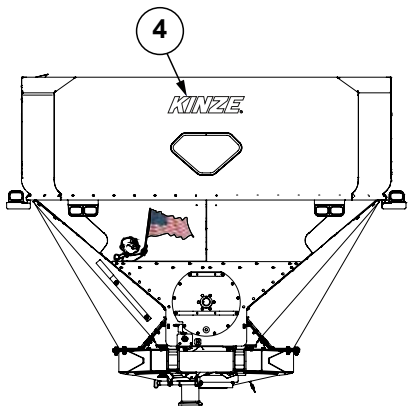
Section A-A

ITEM	PART NO.	QTY.	DESCRIPTION
1	G10480701	2	Kinze Harvest Commander Decal, 14"
2	G10480601	2	Tail Graphic Decal, 1321
	G10480501	2	Tail Graphic Decal, 1421
	G10480401	2	Tail Graphic Decal, 1521
	G10480301	2	Tail Graphic Decal, 1721
3	G10480201	2	Stripe, 3½" Wide
4	G7100-466	1	Flow Gate Indicator Decal
5	G10480101	1	Kinze Logo Decal, 30"
6	G10480001	1	Kinze Man Outline Decal, 26" x 31"
7	G10599701	2	Stripe, 3½" x 36" Wide

(111964)

2026 Production and On

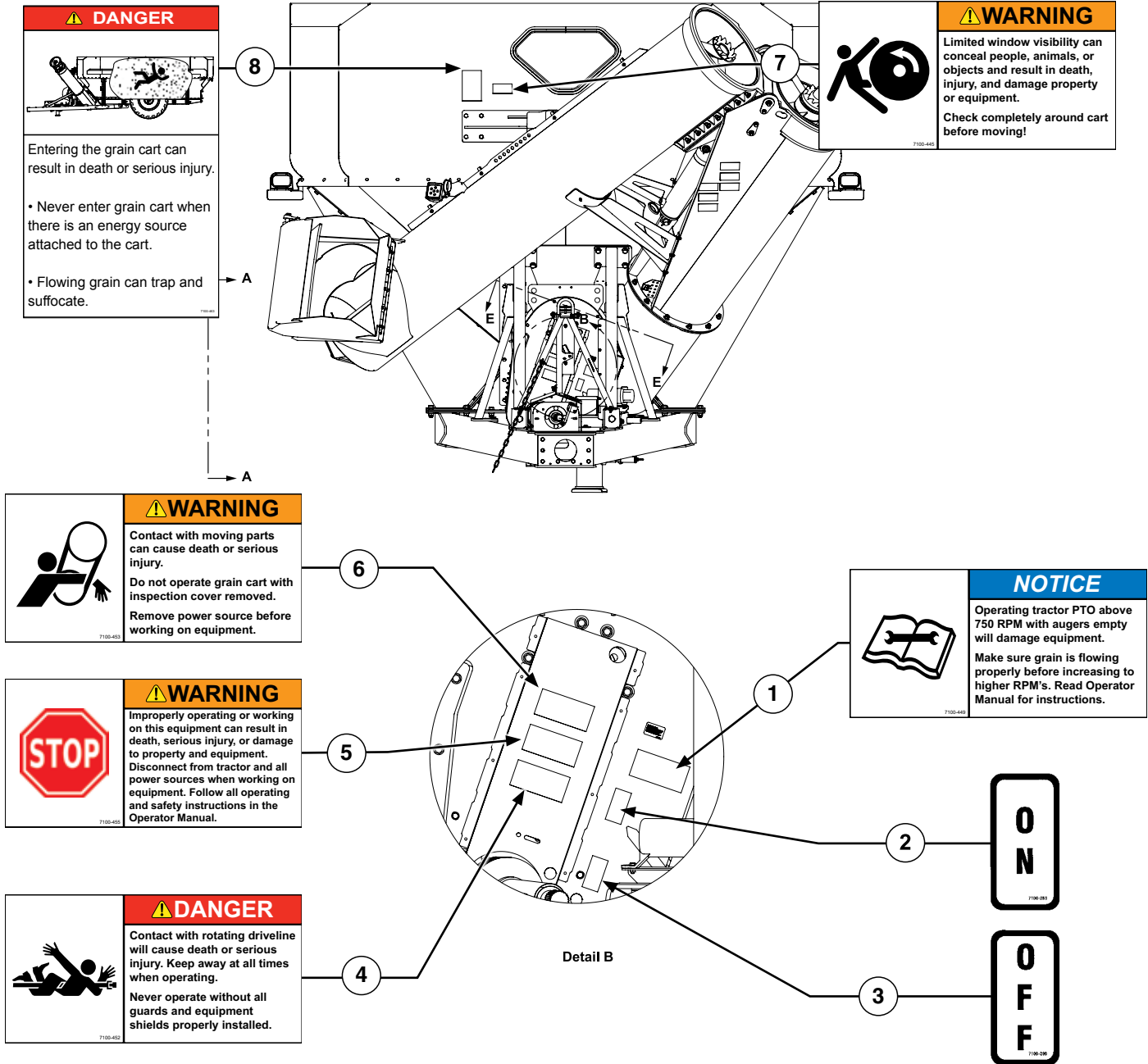
Model 1321 Shown



Section A-A

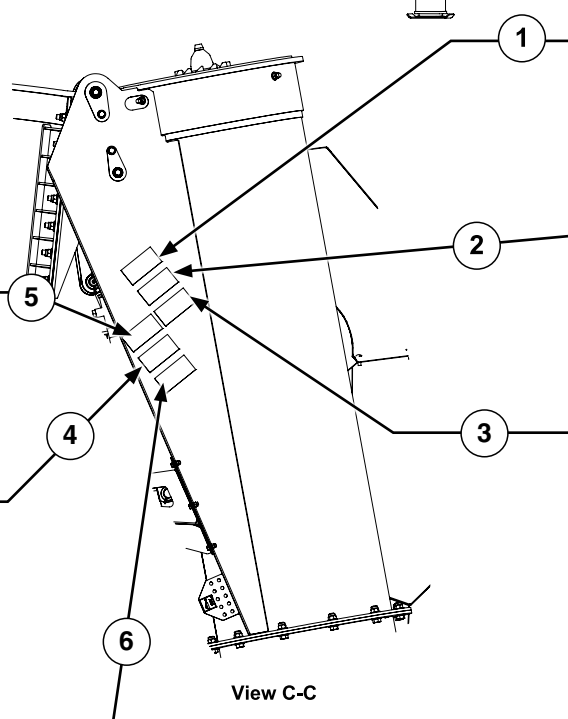
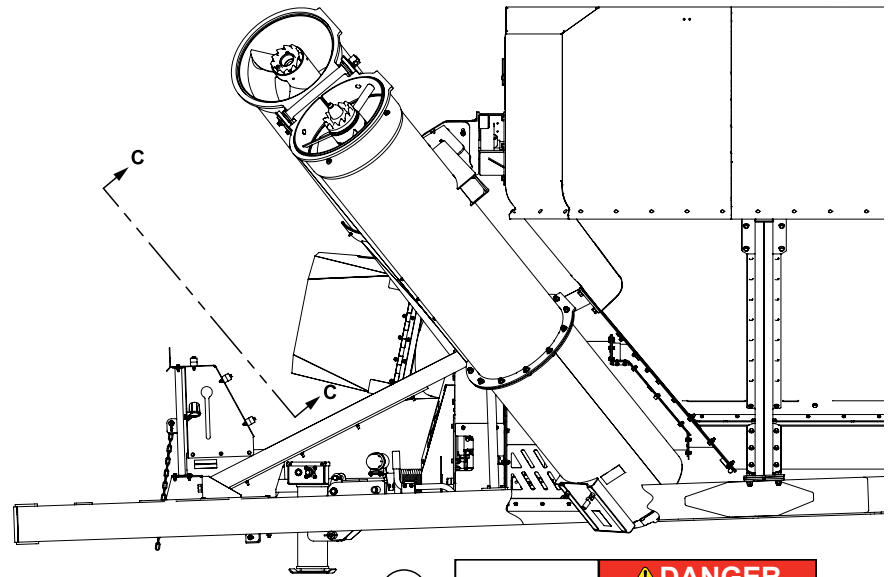
ITEM	PART NO.	QTY.	DESCRIPTION
1	G11170101	2	Decal, 12" Kinze
2	G11170401	2	Harvest Commander Decal, 1321
	G11170501	2	Harvest Commander Decal, 1421
	G11170601	2	Harvest Commander Decal, 1521
	G11170701	2	Harvest Commander Decal, 1721
3	G7100-466	1	Flow Gate Indicator Decal
4	G10480101	1	Kinze Logo Decal, 30"
5	G11170301	1	Kinze Man W/Flag
6	G11170201	2	American Flag, Cart
7	G11170801	3	3/4" Stripe Tape

(10804801\_a)



ITEM	PART NO.	QTY.	DESCRIPTION
1	G7100-449	1	Decal, Notice
2	G7100-289	1	Decal, "On"
3	G7100-290	1	Decal, "Off"
4	G7100-452	1	Decal, Danger
5	G7100-455	1	Decal, Warning
6	G7100-453	1	Decal, Warning
7	G7100-445	1	Decal, Warning
8	G7100-463	1	Decal, Danger

(105909)



View C-C

**WARNING**  
Towing loaded grain carts on public roads and bridges can result in death, serious injury, and damage to property and equipment.  
Never tow a loaded grain cart on public roads and bridges.

**DANGER**  
Contacting rotating auger will cause death or serious injury. Never open or close dump door with auger operating.  
Remove power source before using cleanout sweep or working on equipment.

**DANGER**  
CONTACTING OR COMING CLOSE TO POWER LINES OR OTHER HIGH ENERGY SOURCES WILL CAUSE DEATH OR SERIOUS INJURY.  
Keep away from power lines or high energy sources at all times.

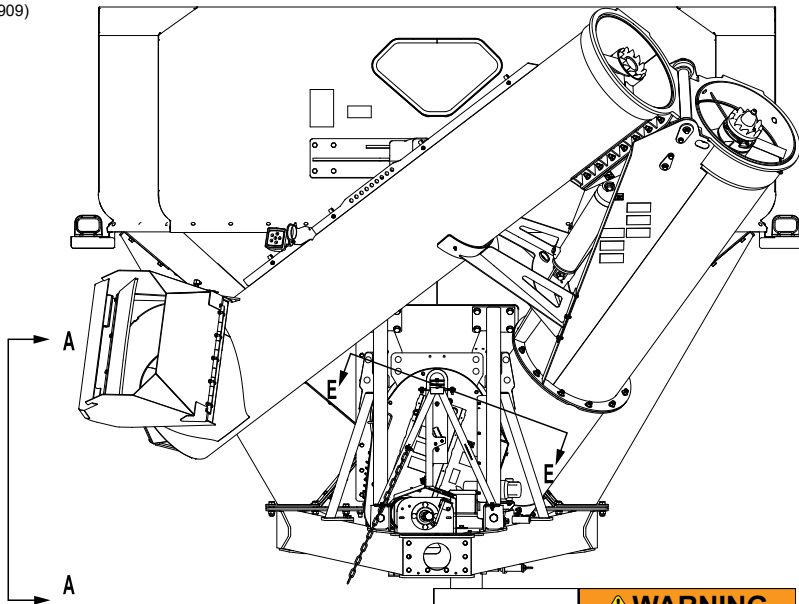
**WARNING**  
Contact with hydraulic folding auger can and cause death, serious injury, and damage to property and equipment. Stay away from folding auger at all times. Make sure auger is clear of people and objects before folding or unfolding.

**WARNING**  
Loss of control can cause death or serious injury, or damage to property and equipment.  
Tow only with farm tractor weight rated and configured for this equipment. Use safety chains and transport as specified in the Operator and Parts Manual.

**NOTICE**  
Towing grain carts with vertical auger extended can result in equipment damage.  
Only operate with vertical auger extended when unloading cart.

ITEM	PART NO.	QTY.	DESCRIPTION
1	G7100-382	1	Decal, Danger
2	G7100-454	1	Decal, Warning
3	G7100-393	1	Decal, Warning
4	G7100-447	1	Decal, Danger
5	G7100-446	1	Decal, Warning
6	G7100-528	1	Decal, Notice

(105909)



**NOTICE**

Operating tractor PTO above 750 RPM with augers empty will damage equipment.

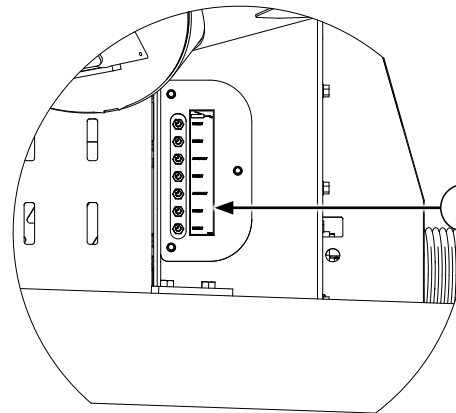
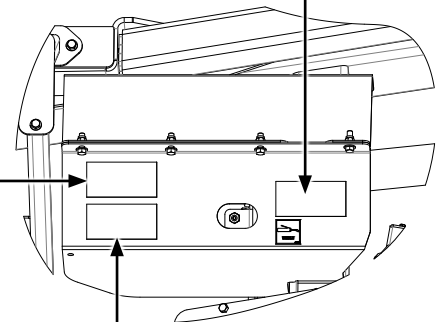
Make sure grain is flowing properly before increasing to higher RPM's. Read Operator Manual for instructions.

**WARNING**

Contact with moving parts can cause death or serious injury.

Do not operate grain cart with inspection cover removed.

Remove power source before working on equipment.



View A-A

WEEKLY

WEEKLY

ANNUALLY

WEEKLY

ANNUALLY

WEEKLY

WEEKLY

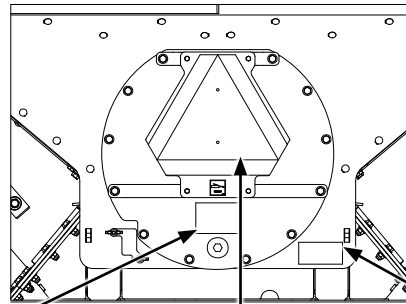
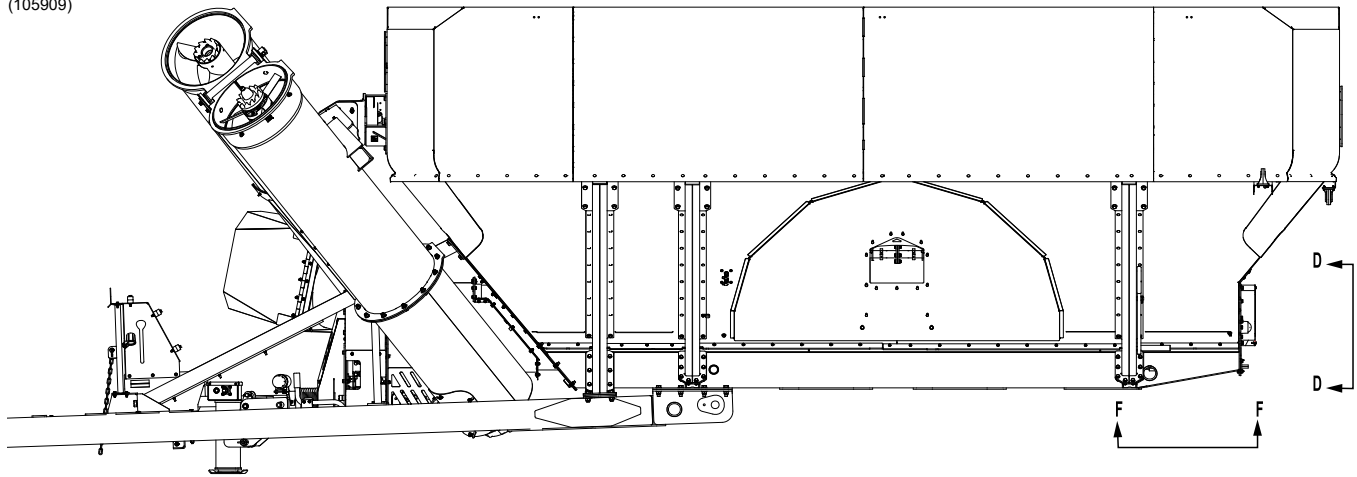
**DANGER**

Contact with rotating driveline will cause death or serious injury. Keep away at all times when operating.

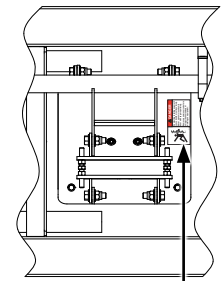
Never operate without all guards and equipment shields properly installed.

ITEM	PART NO.	QTY.	DESCRIPTION
1	G7100-449	1	Decal, Notice
2	G7100-452	1	Decal, Warning
3	G7100-453	1	Decal, Warning
4	G10575401	1	Grease Bank Decal

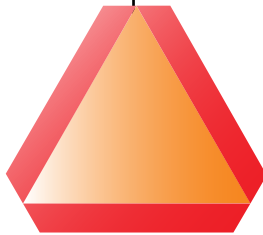
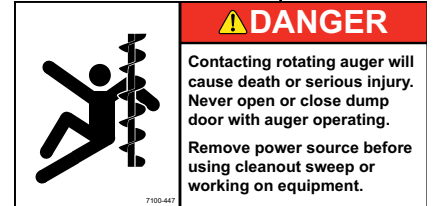
(105909)



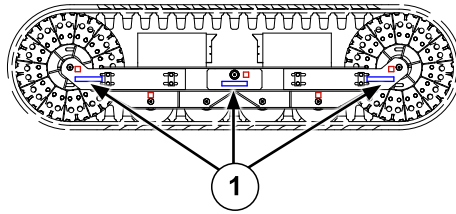
View D-D






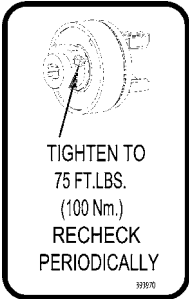
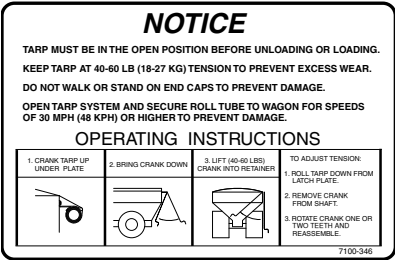



Section F-F


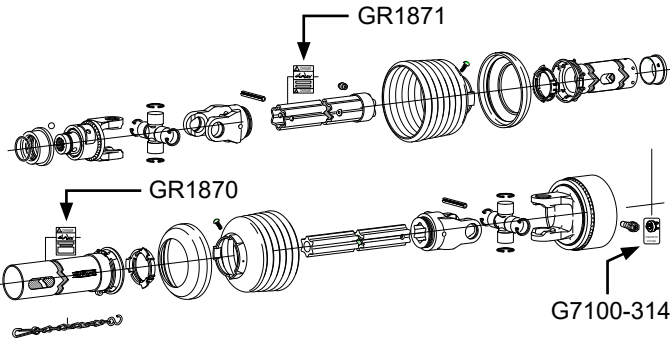
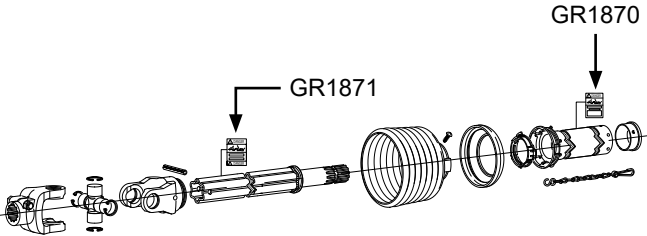





ITEM	PART NO.	QTY.	DESCRIPTION
1	G7100-282	1	Decal, Warning "Clean Out Sweep"
2	G7100-36	1	SMV Sign
	GD24834	1	SMV Plate
	G10019	4	Hex Head Cap Screw, 5/16"-18 x 1"
	G10620	4	Serrated Flange Nut, 5/16"-18
3	G10581701	1	Decal, Warning
4	G7100-447	1	Decal, Danger



ITEM	PART NO.	QTY.	DESCRIPTION
1	G7100-558	1	Reflective Decal, Amber, 2" x 9", Rectangular (Model 1721 Track Only)

	<p>Part No.: G7100-110 Description: Decal, Grease Weekly</p>
	<p>Part No.: G7100-277 Description: Decal, Grease Annually</p>
	<p>Part No.: G7100-116 Description: Decal, Grease Daily</p>
	<p>Part No.: G7100-314 Description: Decal, Torque Value</p>
	<p>Part No.: G7100-346 Description: Decal, Notice</p>
	<p>Part No.: G7100-130 Description: Decal, Electronic Scale</p>
	<p>Part No.: GD1512 Description: Cable Tie, 7½"</p> <p>Part No.: GD2117 Description: Cable Tie, 14½"</p>
	<p>Part No.: G7100-635 Description: Decal, Track Break-In</p>

	<p>Part No.: GR2127MPP Description: Blue Paint, Twelve Aerosol Cans</p>
	<p>Part No.: GR1870 Description: Outer Decal</p> <p>Part No.: GR1871 Description: Inner Decal</p> <p>Part No.: G7100-314 Description: Decal, Torque Value</p>
	
	<p>Part No.: GM0316-01 Description: Operator Manual</p> <p>Part No.: GM0316-02 Description: Parts Manual</p> <p>Part No.: GPR1094 Description: Binder (Contact Kinze Parts To Order)</p>
	<p>Part No.: G7100-437 Description: Decal, Tire Pressure (Flotation) Tire 1100/45R46, 189A8/B</p>
	<p>Part No.: G7100-522 Description: Decal, Tire Pressure (Flotation) Tire 1250/50R32, CFO</p>

Part No.	Page	Part No.	Page	Part No.	Page	Part No.	Page
*A1018	P46	*D29666	P115	G10006	P28	G10041	P74
*A1018	P50	*D29692	P112	G10007	P16	G10041	P82
*A1018	P108	1501-02-02	P110	G10008	P58	G10043	P20
*A1098	P46	2701-08	P46	G10008	P60	G10043	P22
*A1098	P50	2701-08	P50	G10008	P62	G10043	P46
*A1098	P108	2701-08	P108	G10008	P64	G10043	P50
*A1110	P108	A16132	P114	G10008	P66	G10043	P82
*A1116	P108	A17219	P111	G10008	P68	G10043	P103
*A1121	P108	A8775	P111	G10008	P71	G10043	P108
*A1132	P9	A8775	P112	G10011	P8	G10047	P16
*A1132	P108	A9610	P115	G10014	P74	G10047	P26
*A1132	P108	D13169	P116	G10014	P76	G10047	P28
*A1140	P108	G10001	P22	G10017	P23	G10047	P30
*A1194	P108	G10001	P26	G10017	P26	G10047	P79
*A15013	P108	G10001	P28	G10017	P28	G10054	P22
*A18511	P12	G10001	P30	G10017	P30	G10054	P104
*A18512	P12	G10001	P36	G10017	P36	G10062	P38
*A24474	P115	G10001	P38	G10017	P46	G10062	P40
*A26936-290	P108	G10001	P40	G10017	P50	G10062	P42
*A27240-29	P12	G10001	P42	G10017	P54	G10062	P118
*A27240-31	P12	G10001	P79	G10017	P55	G10062	P119
*A27240-35	P12	G10001	P82	G10017	P71	G10064	P18
*A27240-37	P12	G10001	P110	G10019	P10	G10064	P123
*A27240-40	P12	G10003	P46	G10019	P80	G10068	P34
*A7665	P108	G10003	P50	G10019	P135	G10071	P18
*A7666	P108	G10003	P60	G10023	P18	G10071	P22
*A7691-187	P108	G10003	P64	G10026	P26	G10071	P23
*A7693-185	P108	G10003	P68	G10026	P28	G10071	P36
*D12050	P114	G10003	P82	G10026	P30	G10071	P54
*D12051	P114	G10004	P18	G10026	P34	G10071	P55
*D12092	P115	G10004	P22	G10026	P126	G10071	P71
*D12104	P114	G10004	P32	G10027	P36	G10071	P74
*D12200	P114	G10004	P38	G10027	P46	G10071	P76
*D12202	P114	G10004	P40	G10027	P50	G10085	P8
*D12203	P114	G10004	P42	G10027	P54	G10101	P82
*D12208	P114	G10004	P71	G10027	P55	G10101	P114
*D12209	P114	G10004	P72	G10027	P71	G10101	P115
*D12233	P112	G10004	P80	G10027	P86	G10102	P38
*D12235	P111	G10004	P82	G10027	P88	G10102	P40
*D12235	P112	G10004	P108	G10027	P90	G10102	P42
*D12236	P111	G10005	P18	G10027	P126	G10106	P80
*D12236	P112	G10005	P26	G10029	P101	G10107	P8
*D12239	P111	G10005	P28	G10036	P8	G10107	P16
*D12240	P115	G10005	P30	G10037	P10	G10107	P26
*D12246	P115	G10005	P34	G10037	P38	G10107	P28
*D12247	P115	G10005	P38	G10037	P40	G10107	P30
*D12253	P114	G10005	P40	G10037	P71	G10107	P34
*D12255	P115	G10005	P42	G10038	P26	G10107	P38
*D12256	P112	G10005	P71	G10038	P28	G10107	P40
*D12277	P111	G10005	P74	G10038	P30	G10107	P42
*D19250	P111	G10005	P100	G10039	P33	G10107	P58
*D19251	P111	G10006	P26	G10039	P71	G10107	P60

Part No.	Page	Part No.	Page	Part No.	Page	Part No.	Page
G10107	P62	G10112	P46	G10327601	P128	G10415201	P38
G10107	P64	G10112	P50	G10328	P12	G10415201	P40
G10107	P66	G10112	P54	G10330	P15	G10415301	P38
G10107	P68	G10112	P55	G10330	P15	G10415301	P40
G10108	P8	G10112	P71	G10330	P15	G10415601	P38
G10108	P10	G10112	P86	G10330	P126	G10416801	P38
G10108	P16	G10112	P88	G10331	P126	G10416901	P38
G10108	P18	G10112	P90	G10336	P34	G10416901	P40
G10108	P22	G10112	P126	G10336	P90	G10419701	P36
G10108	P36	G10113301	P122	G10395	P126	G10430	P82
G10108	P38	G10119	P47	G10396	P47	G10441	P15
G10108	P40	G10119	P51	G10396	P51	G10441	P15
G10108	P42	G10119	P55	G10396	P55	G10441	P15
G10108	P58	G10119	P74	G10396	P74	G10441	P126
G10108	P60	G10157	P16	G10396	P88	G10450	P26
G10108	P62	G10159	P26	G10396	P126	G10450	P28
G10108	P64	G10159	P28	G10400	P86	G10450	P30
G10108	P66	G10159	P30	G10404	P90	G10453	P8
G10108	P68	G10163	P36	G10410701	P38	G10459	P13
G10108	P71	G10172	P18	G10410701	P40	G10460	P26
G10108	P74	G10203	P38	G10410701	P42	G10460	P28
G10108	P80	G10210	P16	G10411001	P38	G10460	P30
G10108	P111	G10210	P36	G10411001	P40	G10468001	P34
G10108	P112	G10224	P13	G10411001	P42	G10480001	P130
G10108	P123	G10228	P26	G10411901	P38	G10480101	P130
G10109	P26	G10228	P28	G10411901	P40	G10480101	P131
G10109	P28	G10228	P30	G10412001	P38	G10480201	P130
G10109	P30	G10229	P12	G10412001	P40	G10480301	P130
G10109	P43	G10229	P46	G10412201	P38	G10480401	P130
G10109	P74	G10229	P50	G10412201	P40	G10480501	P130
G10109	P82	G10229	P82	G10412201	P42	G10480601	P130
G10110	P8	G10230	P100	G10413001	P38	G10480701	P130
G10110	P18	G10231	P34	G10413001	P40	G10484001	P128
G10110	P46	G10232	P10	G10413001	P42	G10488101	P15
G10110	P50	G10232	P20	G10413301	P38	G10492	P117
G10110	P123	G10232	P82	G10413301	P40	G10494601	P18
G10111	P8	G10233	P8	G10413301	P42	G10522	P46
G10111	P10	G10233	P10	G10413401	P38	G10522	P50
G10111	P23	G10233	P32	G10413401	P40	G10525801	P18
G10111	P26	G10234	P34	G10413401	P42	G10526001	P18
G10111	P28	G10234	P90	G10414101	P38	G10527001	P22
G10111	P30	G10236	P101	G10414101	P40	G10530301	P32
G10111	P33	G10236	P102	G10414101	P42	G10531201	P9
G10111	P36	G10301	P80	G10414401	P38	G10531601	P32
G10111	P46	G10303	P79	G10414401	P40	G10531701	P32
G10111	P50	G10305	P79	G10414401	P42	G10531801	P32
G10111	P54	G10308	P76	G10414501	P38	G10531901	P32
G10111	P71	G10322	P26	G10414501	P40	G10533301	P9
G10111	P79	G10322	P28	G10414501	P42	G10533501	P8
G10111	P126	G10322	P30	G10415101	P38	G10534101	P18
G10112	P8	G10324	P100	G10415101	P40	G10534201	P18
G10112	P36	G10325	P18	G10415101	P42	G10535	P101

Part No.	Page	Part No.	Page	Part No.	Page	Part No.	Page
G10535	P102	G10599	P8	G10714101	P10	G10967	P111
G10535501	P38	G10599	P18	G10714201	P8	G10974	P26
G10535501	P40	G10599	P46	G10714201	P10	G10989401	P9
G10535501	P42	G10599	P51	G10716701	P15	G10991	P82
G10535701	P38	G10599	P54	G10716801	P15	G11001001	P82
G10535701	P40	G10599	P71	G10716901	P15	G11001101	P82
G10535701	P42	G10599	P74	G10730	P8	G11003901	P36
G10536501	P74	G10599	P80	G10742901	P28	G11004001	P42
G10536501	P122	G10599	P123	G10742901	P30	G11012	P18
G10539	P100	G10599602	P38	G10743	P8	G11028	P8
G10540203	P38	G10599602	P40	G10746901	P28	G11030	P20
G10540203	P40	G10599602	P42	G10746901	P30	G11031	P20
G10540203	P42	G10599701	P130	G10747201	P27	G11032	P20
G10540204	P38	G10602	P10	G10747201	P29	G11039	P100
G10540204	P40	G10602	P18	G10756801	P28	G11042	P72
G10540204	P42	G10610	P20	G10756801	P30	G11051	P36
G10542001	P38	G10610	P79	G10765401	P74	G11058	P16
G10542001	P40	G10615001	P110	G10770	P116	G11068	P128
G10544201	P36	G10620	P46	G10772001	P80	G11073001	P76
G10544801	P28	G10620	P50	G10775001	P28	G11073501	P76
G10544801	P30	G10620	P108	G10775001	P30	G11073701	P76
G10544801	P36	G10620	P135	G10794001	P27	G11084	P18
G10548501	P38	G10621	P18	G10794001	P30	G11091	P18
G10548501	P40	G10622	P8	G10794101	P8	G11091	P22
G10548701	P40	G10625	P86	G10798901	P36	G11091	P26
G10548701	P42	G10625	P103	G10799001	P40	G11091	P28
G10550301	P33	G10625	P104	G10799001	P42	G11091	P30
G10550401	P34	G10634101	P38	G10808	P88	G11091	P36
G10555101	P18	G10634101	P40	G10809	P58	G11091	P46
G10556701	P38	G10634101	P42	G10809	P60	G11091	P50
G10556701	P40	G10636	P33	G10809	P62	G11091	P54
G10556701	P42	G10636	P76	G10809	P64	G11091	P71
G10561201	P18	G10638	P8	G10809	P66	G11091	P72
G10561301	P18	G10640	P110	G10809	P68	G11091	P74
G10565201	P127	G10641	P94	G10813301	P128	G11091	P76
G10569701	P71	G10641	P94	G10834301	P15	G11091	P79
G10570	P82	G10641	P94	G10834401	P15	G11091	P82
G10571701	P76	G10641	P101	G10834501	P15	G11091	P108
G10572501	P76	G10641	P102	G10840	P20	G11091	P110
G10572801	P76	G10643	P9	G10895	P86	G11091	P118
G10573301	P76	G10643	P12	G10901	P79	G11091	P119
G10573401	P74	G10644201	P38	G10901	P82	G11094	P12
G10573901	P76	G10644201	P40	G10902	P82	G11094	P22
G10573901	P76	G10644201	P42	G10909	P18	G11094	P110
G10574701	P76	G10647	P15	G10932	P114	G11096	P15
G10575401	P134	G10648	P126	G10939	P111	G11112401	P34
G10575701	P76	G10651801	P33	G10939	P112	G11114801	P128
G10576101	P76	G10652101	P33	G10939	P114	G11117801	P128
G10576701	P76	G10657	P46	G10939	P115	G11117901	P128
G10581	P8	G10657	P50	G10958	P114	G11118001	P128
G10581701	P135	G10671	P16	G10960	P20	G11118101	P128
G10590001	P79	G10686	P10	G10966	P128	G11118401	P128

Part No.	Page	Part No.	Page	Part No.	Page	Part No.	Page
G11118501	P42	G11387	P40	G11394	P62	G11725	P110
G11119801	P42	G11387	P42	G11394	P66	G11737	P8
G11119901	P42	G11387	P60	G11394	P68	G11802	P47
G11124	P8	G11387	P64	G11406	P80	G11802	P51
G11124	P23	G11387	P68	G11409	P46	G11802	P74
G11124	P46	G11387	P71	G11409	P50	G11874	P16
G11124	P50	G11387	P72	G11413	P23	G11897	P13
G11143901	P128	G11387	P80	G11413	P36	G12039	P92
G11162	P22	G11387	P82	G11415	P18	G12040	P94
G11165001	P34	G11389	P18	G11415	P51	G12040	P95
G11170101	P131	G11389	P23	G11415	P71	G12202-16	P98
G11170201	P131	G11389	P26	G11415	P74	G12202-16	P99
G11170301	P131	G11389	P28	G11480	P8	G12203	P95
G11170401	P131	G11389	P30	G11480	P90	G12204	P95
G11170501	P131	G11389	P33	G11483	P82	G12205-50	P94
G11170601	P131	G11389	P36	G11484	P82	G12205-50	P95
G11170701	P131	G11389	P38	G11490	P23	G12206-60	P94
G11170801	P131	G11389	P40	G11509	P58	G12207-30	P92
G11174	P33	G11389	P46	G11509	P62	G12207-30	P94
G11182	P79	G11389	P51	G11509	P66	G12208-40	P92
G11182	P82	G11389	P71	G11509	P68	G12209-50	P94
G11187	P126	G11389	P74	G11510	P58	G12210-60	P92
G11192	P43	G11389	P80	G11510	P62	G12211-70	P92
G11196	P103	G11391	P8	G11510	P66	G12221	P97
G11198001	P29	G11391	P16	G11510	P68	G1K617	P80
G11200	P126	G11391	P18	G11511	P26	G2406-08-06	P108
G11206	P128	G11391	P23	G11511	P28	G2800-01	P13
G11223	P18	G11391	P26	G11511	P30	G306-08	P46
G11229	P80	G11391	P28	G11511	P47	G306-08	P50
G11229	P126	G11391	P30	G11511	P51	G306-08	P108
G11271	P8	G11391	P38	G11511	P74	G3324-01	P16
G11271	P23	G11391	P40	G11512	P26	G3400-01	P10
G11271	P90	G11391	P42	G11512	P28	G5503-02-02	P110
G11272	P26	G11391	P58	G11512	P30	G6400-06	P114
G11272	P28	G11391	P60	G11513	P26	G6400-08	P117
G11272	P30	G11391	P62	G11513	P28	G6408-06	P114
G11299	P79	G11391	P64	G11513	P30	G6408-08	P111
G11314	P72	G11391	P66	G11530	P26	G6408-08	P112
G11328	P18	G11391	P68	G11530	P28	G6408-08	P115
G11334	P26	G11391	P71	G11530	P30	G6408-08	P118
G11334	P28	G11392	P36	G11531	P26	G6500-06	P108
G11334	P30	G11392	P46	G11531	P28	G6500-08	P108
G11386	P22	G11392	P50	G11531	P30	G6500-08	P117
G11386	P43	G11392	P54	G11558	P12	G6602-06	P108
G11386	P82	G11392	P55	G11558	P22	G6801-06	P108
G11387	P12	G11392	P71	G11558	P110	G6801-06-08	P116
G11387	P18	G11392	P86	G11559	P34	G6801-06-08	P118
G11387	P22	G11392	P88	G11605	P82	G6801-06-08	P119
G11387	P26	G11392	P90	G11721	P79	G6801-06-08	P120
G11387	P28	G11392	P126	G11723	P79	G6801-08	P46
G11387	P30	G11394	P18	G11724	P79	G6801-08	P50
G11387	P36	G11394	P58	G11725	P9	G6801-08	P108

Part No.	Page	Part No.	Page	Part No.	Page	Part No.	Page
G6801-08-08	P117	GA0531	P103	GA16024	P26	GA16296	P86
G6801-LL-06-08	P118	GA0532	P103	GA16024	P28	GA16296	P88
G6801-LL-06-08	P119	GA0779	P101	GA16024	P30	GA16296	P90
G6801-LL-06-08	P120	GA0779	P102	GA16025	P26	GA16318	P58
G6801-LL-08	P117	GA11365	P118	GA16029	P46	GA16318	P60
G7100-110	P129	GA11365	P120	GA16029	P50	GA16318	P62
G7100-110	P137	GA11509	P103	GA16029	P54	GA16318	P64
G7100-116	P137	GA12403	P127	GA16030	P46	GA16318	P66
G7100-130	P126	GA13344	P79	GA16030	P50	GA16318	P68
G7100-130	P137	GA13345	P79	GA16030	P54	GA16319	P58
G7100-277	P137	GA13443	P79	GA16033	P50	GA16319	P60
G7100-282	P135	GA13651	P116	GA16034	P50	GA16319	P62
G7100-289	P132	GA13965	P114	GA16053	P36	GA16319	P64
G7100-290	P132	GA14328	P101	GA16054	P36	GA16319	P66
G7100-314	P137	GA14568	P22	GA16080	P26	GA16319	P68
G7100-314	P138	GA14773	P72	GA16080	P27	GA16320	P62
G7100-346	P137	GA14784	P100	GA16080	P30	GA16353	P122
G7100-36	P135	GA14785	P100	GA16133	P114	GA16354	P122
G7100-382	P133	GA14799	P119	GA16134	P25	GA16356	P79
G7100-387	P129	GA14992	P20	GA16134	P27	GA16357	P79
G7100-393	P133	GA15422	P18	GA16134	P29	GA16403	P36
G7100-437	P138	GA15469	P123	GA16134	P114	GA16405	P36
G7100-445	P132	GA15470	P123	GA16156	P76	GA16447	P80
G7100-446	P133	GA15471	P123	GA16188	P46	GA16448	P80
G7100-447	P133	GA15472	P122	GA16188	P50	GA16450	P80
G7100-447	P135	GA15585	P102	GA16196	P36	GA16453	P80
G7100-449	P132	GA15587	P102	GA16198	P36	GA16454	P80
G7100-449	P134	GA15589	P101	GA16215	P22	GA16455	P80
G7100-451	P129	GA15590	P101	GA16225	P8	GA16460	P82
G7100-452	P132	GA15591	P100	GA16226	P8	GA16497	P54
G7100-452	P134	GA15594	P100	GA16228	P10	GA16498	P54
G7100-453	P132	GA15624	P76	GA16230	P8	GA16614	P46
G7100-453	P134	GA15638	P76	GA16231	P8	GA16614	P50
G7100-454	P133	GA15838	P90	GA16233	P8	GA16615	P46
G7100-455	P132	GA15899	P4	GA16234	P8	GA16615	P50
G7100-463	P132	GA15899	P22	GA16235	P8	GA16616	P46
G7100-466	P130	GA15984	P36	GA16238	P8	GA16616	P50
G7100-466	P131	GA15990	P13	GA16239	P18	GA16624	P62
G7100-484	P129	GA15991	P13	GA16240	P18	GA16624	P66
G7100-528	P133	GA15991	P36	GA16241	P18	GA16625	P58
G7100-557	P129	GA16001	P32	GA16242	P18	GA16625	P62
G7100-558	P129	GA16008	P6	GA16243	P8	GA16625	P66
G7100-558	P136	GA16008	P6	GA16246	P71	GA16650	P62
G7100-559	P129	GA16008	P23	GA16247	P22	GA16651	P64
G7100-635	P137	GA16018	P74	GA16263	P5	GA16652	P64
G8367X	P127	GA16021	P46	GA16263	P22	GA16652	P68
G9492X	P82	GA16021	P50	GA16264	P71	GA16653	P64
G9940X	P16	GA16021	P54	GA16266	P46	GA16653	P68
GA0237	P13	GA16022	P46	GA16267	P46	GA16669	P22
GA0238	P13	GA16022	P50	GA16274	P36	GA16675	P119
GA0239	P13	GA16022	P54	GA16275	P36	GA16676	P118
GA0449	P34	GA16023	P25	GA16278	P71	GA16676	P120

Part No.	Page	Part No.	Page	Part No.	Page	Part No.	Page
GA16694	P74	GA17076	P66	GA19746	P71	GA22224	P80
GA16707	P50	GA17081	P62	GA19747	P72	GA22299	P26
GA16708	P50	GA17092	P8	GA19882	P126	GA22299	P28
GA16709	P71	GA17147	P101	GA20045	P122	GA22330	P123
GA16710	P71	GA17147	P102	GA20089	P58	GA22936	P9
GA16718	P74	GA17166	P58	GA20090	P60	GA23098	P9
GA16727	P71	GA17167	P58	GA20091	P62	GA23916	P127
GA16727	P72	GA17169	P58	GA20092	P64	GA23975	P127
GA16730	P60	GA17169	P66	GA20093	P66	GA24128	P105
GA16731	P60	GA17170	P58	GA20094	P68	GA24129	P105
GA16732	P60	GA17170	P66	GA20206	P86	GA24130	P105
GA16733	P58	GA17220	P58	GA20207	P86	GA24359	P88
GA16741	P46	GA17220	P111	GA20209	P90	GA24606	P126
GA16742	P46	GA17234	P62	GA20211	P86	GA24936	P94
GA16765	P64	GA17235	P62	GA20211	P88	GA24938	P92
GA16766	P64	GA17237	P62	GA20211	P90	GA24939	P94
GA16767	P62	GA17237	P66	GA20220	P86	GA24939	P99
GA16768	P64	GA17237	P68	GA20220	P88	GA24940	P94
GA16770	P64	GA17237	P111	GA20220	P90	GA24940	P97
GA16771	P64	GA17242	P58	GA20224	P55	GA24941	P97
GA16772	P60	GA17242	P62	GA20224	P55	GA24942	P94
GA16772	P64	GA17242	P66	GA20224	P74	GA24942	P98
GA16772	P68	GA17242	P68	GA20225	P51	GA24943	P98
GA16773	P60	GA17246	P58	GA20225	P55	GA24943	P99
GA16773	P64	GA17270	P58	GA20225	P74	GA24944	P95
GA16773	P68	GA17645	P18	GA20230	P55	GA25054	P98
GA16774	P62	GA17973	P36	GA20249	P126	GA25054	P99
GA16775	P62	GA18028	P26	GA20462	P122	GA25096	P26
GA16778	P83	GA18028	P28	GA20808	P25	GA25096	P28
GA16780	P83	GA18028	P30	GA20808	P27	GA25096	P30
GA16814	P54	GA18154	P80	GA20808	P30	GA25119	P23
GA16815	P54	GA18155	P80	GA20808	P115	GA25120	P43
GA16855	P60	GA18392	P33	GA21006	P47	GA25121	P43
GA16861	P60	GA18487	P33	GA21006	P55	GA25269	P82
GA16911	P58	GA18513	P22	GA21166	P32	GA25270	P82
GA16911	P62	GA18517	P33	GA21166	P112	GA25302	P76
GA16911	P66	GA18554	P60	GA21313	P79	GA25549	P74
GA16912	P58	GA18554	P64	GA21314	P79	GA25604	P127
GA16912	P66	GA18554	P68	GA21315	P22	GA26166	P112
GA16938	P66	GA18777	P126	GA21414	P33	GA26924-01	P108
GA16939	P68	GA18833	P82	GA21452	P105	GA26924-02	P108
GA16996	P76	GA18835	P82	GA21453	P105	GA26924-03	P108
GA17036	P68	GA18836	P82	GA21454	P105	GA26924-04	P108
GA17037	P68	GA18840	P82	GA21661	P74	GA27240-100	P110
GA17038	P66	GA18949	P122	GA21662	P55	GA27240-102	P110
GA17039	P66	GA19119	P22	GA21663	P55	GA27240-106	P110
GA17044	P20	GA19431	P117	GA21664	P55	GA27240-114	P110
GA17046	P18	GA19446	P15	GA21665	P55	GA27240-117	P110
GA17049	P15	GA19740	P71	GA21666	P74	GA27240-265	P110
GA17051	P20	GA19741	P71	GA21667	P74	GA27240-85	P110
GA17052	P20	GA19742	P72	GA21668	P55	GA27240-87	P110
GA17053	P20	GA19744	P71	GA21669	P55	GA4214	P15

Part No.	Page	Part No.	Page	Part No.	Page	Part No.	Page
GA4293	P118	GD11649	P38	GD17161	P32	GD23537	P5
GA4293	P119	GD11649	P40	GD17161	P36	GD23580	P8
GA4293	P120	GD11649	P42	GD17161	P71	GD23672	P58
GA5487	P102	GD11751	P114	GD18828	P26	GD23672	P60
GA6497	P26	GD11751	P115	GD18828	P28	GD23672	P62
GA6772	P126	GD11950	P112	GD18828	P30	GD23672	P64
GA7561	P15	GD11984	P114	GD18974	P80	GD23672	P66
GA8130	P114	GD12101	P112	GD18975	P80	GD23672	P68
GA8130	P115	GD12239	P114	GD18976	P80	GD23679	P58
GA8882	P114	GD12510	P112	GD18978	P80	GD23679	P60
GA9256	P25	GD12572	P115	GD18980	P80	GD23679	P62
GA9257	P25	GD13088	P8	GD18982	P80	GD23679	P64
GA9257	P27	GD13172	P116	GD18986	P80	GD23679	P66
GA9257	P29	GD13173	P116	GD18987	P80	GD23679	P68
GA9316	P13	GD13348	P12	GD18990	P80	GD23841	P80
GA9357	P10	GD13348	P74	GD18990	P82	GD23842	P80
GA9561	P116	GD13348	P110	GD18991	P80	GD23847	P80
GA9616	P8	GD13348	P123	GD18992	P80	GD23848	P79
GA9616	P116	GD13400	P116	GD19067	P80	GD23849	P79
GA9665	P20	GD13499	P117	GD19068	P80	GD23850	P79
GA9705	P46	GD13541	P116	GD19068	P82	GD23851	P79
GA9705	P50	GD13598	P20	GD19169	P79	GD23855	P82
GA9705	P108	GD13600	P20	GD19171	P80	GD23856	P82
GA9975	P105	GD13601	P20	GD19662	P111	GD23866	P8
GA9975	P105	GD13602	P20	GD20399	P101	GD23890	P23
GB0218	P8	GD13603	P20	GD20443	P101	GD23893	P36
GB0218	P38	GD13604	P20	GD20444	P101	GD23894	P18
GB0218	P40	GD13605	P20	GD20596	P79	GD23896	P74
GB0218	P42	GD13606	P20	GD2117	P137	GD23897	P74
GB0218	P58	GD13608	P20	GD21206	P8	GD23979	P58
GB0218	P60	GD13609	P20	GD2169	P101	GD23979	P60
GB0218	P62	GD13610	P20	GD22536	P103	GD23979	P62
GB0218	P64	GD13677	P8	GD22585	P25	GD23979	P62
GB0218	P66	GD13698	P20	GD22585	P27	GD23979	P64
GB0218	P68	GD13736	P26	GD22585	P29	GD23979	P66
GB0338	P10	GD13736	P27	GD22758	P104	GD23979	P68
GB0378	P8	GD13736	P30	GD22880	P90	GD23982	P123
GB0382	P103	GD13755	P18	GD23211	P26	GD24006	P46
GB0409	P26	GD13763	P10	GD23211	P28	GD24006	P50
GB0409	P28	GD13778	P34	GD23211	P30	GD24006	P108
GB0409	P30	GD13804	P36	GD23295	P76	GD24011	P60
GB0654	P58	GD13805	P36	GD23296	P76	GD24011	P64
GB0654	P60	GD14610	P8	GD23297	P76	GD24011	P68
GB0654	P62	GD14671	P51	GD23343	P36	GD24014	P60
GB0654	P64	GD14671	P71	GD23404	P114	GD24014	P64
GB0654	P66	GD1512	P137	GD23483	P36	GD24014	P68
GB0654	P68	GD16200	P114	GD23510	P8	GD24033	P8
GB0672	P64	GD16202	P114	GD23511	P8	GD24041	P82
GD10532	P26	GD16565	P103	GD23512	P8	GD24063	P71
GD10532	P28	GD16709	P103	GD23513	P8	GD24094	P82
GD10532	P30	GD16710	P103	GD23515	P79	GD24104	P118
GD10705	P18	GD16712	P86	GD23537	P4	GD24104	P119

Part No.	Page	Part No.	Page	Part No.	Page	Part No.	Page
GD24105	P120	GD25419	P33	GD27081	P79	GD33707	P18
GD24118	P58	GD2558	P18	GD27082	P79	GD34128	P9
GD24118	P62	GD2558	P71	GD27095	P82	GD3457-09	P34
GD24118	P66	GD26023	P43	GD27100	P82	GD34835	P97
GD24127	P18	GD26196	P26	GD27232	P116	GD34836	P92
GD24242	P71	GD26196	P28	GD27233	P112	GD34837	P97
GD24245	P71	GD26196	P30	GD27236	P115	GD34837	P98
GD24246	P72	GD26394	P50	GD28192	P71	GD34837	P99
GD24252	P83	GD26396	P50	GD28198	P72	GD34838	P92
GD24253	P83	GD26397	P46	GD28679	P101	GD34839	P92
GD24254	P83	GD26397	P50	GD28679	P102	GD34840	P92
GD24294	P108	GD26398	P46	GD29032	P86	GD34842	P98
GD24295	P118	GD26398	P50	GD29032	P88	GD34842	P99
GD24295	P119	GD26400	P46	GD29032	P90	GD34843	P94
GD24296	P108	GD26400	P50	GD29033	P26	GD34844	P99
GD24413	P74	GD26401	P50	GD29033	P28	GD34845	P98
GD24516	P22	GD26402	P46	GD29033	P30	GD34846	P94
GD24615	P4	GD26403	P46	GD29033	P122	GD34847	P94
GD24758	P100	GD26404	P46	GD29052	P86	GD34849	P94
GD24759	P100	GD26405	P46	GD29052	P88	GD34850	P94
GD24761	P8	GD26425	P46	GD29052	P90	GD34851	P94
GD24834	P135	GD26425	P50	GD29053	P86	GD34852	P98
GD24835	P36	GD26426	P46	GD29053	P88	GD34852	P99
GD24836	P36	GD26426	P50	GD29053	P90	GD34853	P94
GD24851	P8	GD26428	P36	GD29292	P86	GD34854	P94
GD24951	P74	GD26430	P36	GD29292	P88	GD34855	P94
GD24952	P101	GD26432	P36	GD29292	P90	GD34856	P92
GD24952	P102	GD26441-01	P36	GD29309	P126	GD34857	P92
GD24972	P126	GD26442-01	P36	GD29310	P126	GD34858	P92
GD24975	P71	GD26442-02	P36	GD29312	P33	GD34859	P92
GD24976	P71	GD26442-03	P36	GD29478	P80	GD34861	P94
GD24996	P46	GD26447	P128	GD29479	P80	GD34862	P94
GD24996	P50	GD26448	P124	GD29559	P47	GD34863	P94
GD25033	P28	GD26449	P124	GD29559	P51	GD34864	P92
GD25033	P30	GD26450	P124	GD29559	P54	GD34865	P92
GD25033	P33	GD26452	P50	GD29560	P46	GD34866	P98
GD25034	P28	GD26453	P46	GD29560	P51	GD34866	P99
GD25034	P30	GD26453	P50	GD29560	P54	GD34867	P94
GD25034	P33	GD26682	P76	GD29638	P18	GD34868	P94
GD25065	P111	GD26695	P50	GD29667	P115	GD34869	P92
GD25067	P20	GD26699	P50	GD29668	P115	GD34870	P94
GD25077-01	P79	GD26752	P22	GD29689	P112	GD34871	P97
GD25138	P111	GD26892	P33	GD2971-13	P10	GD34872	P94
GD25203	P90	GD26963	P71	GD29792	P33	GD34873	P92
GD25306	P9	GD27036	P82	GD29793	P34	GD34874	P94
GD25306	P58	GD27037	P82	GD30439	P112	GD34878	P94
GD25306	P60	GD27038	P82	GD30616	P105	GD34879	P92
GD25306	P62	GD27039	P82	GD30616	P105	GD34880	P94
GD25306	P62	GD27041	P82	GD31503	P26	GD34882	P94
GD25306	P64	GD27042	P82	GD31503	P28	GD34883	P97
GD25306	P66	GD27043	P82	GD31526	P80	GD34884	P92
GD25306	P68	GD27044	P82	GD33123	P128	GD34885	P92

Part No.	Page	Part No.	Page	Part No.	Page	Part No.	Page
GD34886	P92	GD7460	P101	GR1215	P5	GR2032	P104
GD34887	P92	GD7460	P102	GR1217	P5	GR2033	P104
GD34888	P92	GD7497	P102	GR1220	P2	GR2034	P104
GD34889	P95	GD7889	P10	GR1220	P5	GR2035	P104
GD34890	P97	GD8893-07	P16	GR1221	P5	GR2036	P104
GD34890	P98	GD9592	P34	GR1222	P2	GR2037	P104
GD34890	P99	GD9900	P100	GR1246	P2	GR2038	P104
GD34891	P94	GM0316-01	P138	GR1430	P2	GR2039	P104
GD34891	P95	GM0316-02	P138	GR1431	P126	GR2045	P2
GD34892	P95	GPR1094	P138	GR1517	P114	GR2045	P4
GD34893	P96	GR0189	P13	GR1517	P117	GR2045	P5
GD34943	P98	GR0191	P103	GR1598	P116	GR2049	P5
GD34943	P99	GR0193	P32	GR1600	P115	GR2050	P2
GD34944	P98	GR0193	P58	GR1640	P2	GR2050	P5
GD34944	P99	GR0193	P62	GR1642	P2	GR2059	P82
GD34945	P96	GR0193	P66	GR1644	P2	GR2061	P4
GD34946	P96	GR0193	P68	GR1645	P2	GR2062	P4
GD34947	P96	GR0270	P36	GR1648	P2	GR2063	P5
GD34948	P96	GR0323	P101	GR1649	P2	GR2064	P5
GD35090	P97	GR0323	P102	GR1661	P2	GR2080	P120
GD35090	P98	GR0367	P32	GR1669	P2	GR2095	P6
GD35090	P99	GR0375	P58	GR1670	P2	GR2096	P6
GD35091	P94	GR0375	P62	GR1672	P2	GR2097	P6
GD35092	P92	GR0375	P66	GR1681	P103	GR2099	P6
GD35128	P16	GR0375	P68	GR1681	P104	GR2101	P6
GD35129	P16	GR0761	P119	GR1693	P2	GR2102	P6
GD35201	P16	GR1037	P108	GR1694	P2	GR2127MPP	P138
GD35310	P95	GR1037	P111	GR1695	P2	GR2229	P112
GD35334	P76	GR1037	P115	GR1699	P2	GR2269	P2
GD35335	P76	GR1037	P116	GR1700	P2	GR2270	P2
GD35336	P76	GR1037	P117	GR1701	P2	GR2271	P2
GD35337	P76	GR1037	P120	GR1704	P2	GR2272	P2
GD35413-8.25	P110	GR1037	P112	GR1740	P114	GR2276	P92
GD35832	P80	GR1037	P118	GR1750	P118	GR2277	P92
GD36717	P97	GR1037	P118	GR1750	P120	GR2278	P97
GD36718	P97	GR1037	P118	GR1756	P118	GR2278	P97
GD36719	P97	GR1037	P119	GR1756	P120		
GD36764	P71	GR1037	P119	GR1762	P127		
GD36973	P124	GR1037	P120	GR1788	P2		
GD36981	P124	GR1045	P108	GR1789	P2		
GD36998	P12	GR1045	P114	GR1791	P2		
GD4086	P108	GR1045	P114	GR1792	P2		
GD4632	P111	GR1068	P128	GR1793	P2		
GD5900-29	P8	GR1069	P128	GR1794	P2		
GD5949	P111	GR1170	P128	GR1870	P138		
GD6136	P26	GR1171	P128	GR1871	P138		
GD6136	P28	GR1211	P2	GR1872	P5		
GD6136	P30	GR1211	P4	GR1930	P111		
GD6291	P12	GR1211	P5	GR2027	P104		
GD6433	P34	GR1212	P2	GR2029	P104		
GD7452	P101	GR1212	P4	GR2030	P104		
GD7452	P102	GR1215	P2	GR2031	P104		

**This page left blank intentionally.**