

# MODEL 3005 RIGID FRAME PLANTER

## PARTS MANUAL

M0298-02

Rev. 10/24

This manual applies to: Model: 3005 Pull Type Planters  
2021 Production And On

Record serial number of your planter and date purchased:

Serial Number \_\_\_\_\_

Date Purchased \_\_\_\_\_

Information in this manual was current at time of printing. However, due to Kinze's ongoing product improvement, production changes may cause your machine to appear slightly different in detail. Kinze Manufacturing, Inc. reserves the right to change specifications or design without notice and without incurring obligation to install the same on machines previously manufactured.

Right hand (R.H.) and left hand (L.H.), as used throughout this manual, are determined by facing in the direction the machine will travel when in use, unless otherwise stated.

Hardware Size / Tool Required			
$\frac{1}{4}" = \frac{7}{16}"$	$\frac{7}{16}" = \frac{5}{8}"$ (nut for $\frac{7}{16}"$ hardware uses $\frac{11}{16}"$ tool)	$\frac{3}{4}" = 1\frac{1}{8}"$	$1\frac{1}{4}" = 1\frac{7}{8}"$
$\frac{5}{16}" = \frac{1}{2}"$	$\frac{1}{2}" = \frac{3}{4}"$	$\frac{7}{8}" = 1\frac{5}{16}"$	$1\frac{1}{2}" = 2\frac{1}{4}"$
$\frac{3}{8}" = \frac{9}{16}"$	$\frac{5}{8}" = 1\frac{5}{16}"$	$1" = 1\frac{1}{2}"$	

**This page left blank intentionally.**

**ROW UNIT**

Pull Row Unit Assembly . . . . .	P1
Shank Assembly, Seed Tube, and Depth Adjustment . . . . .	P2
Parallel Arms, Mounting Support Plate, and Quick Adjustable Down Force Springs . . . . .	P4
15" Seed Opener Disc Blade/Bearing Assembly and Scrapers . . . . .	P6
Gauge Wheels . . . . .	P8
"V" Closing Wheels . . . . .	P10
Hopper Support and Meter Drive . . . . .	P12
Row Unit Idler . . . . .	P14
Seed Hopper and Lid . . . . .	P15
Finger Pickup Seed Meter . . . . .	P16
Brush-Type Seed Meter 2.0 . . . . .	P18
Granular Chemical . . . . .	P20
Granular Chemical Hopper and Hopper Panel Extension . . . . .	P22
Granular Chemical Meter and Meter Drive . . . . .	P23
Row Unit Mounted No Till Coulter . . . . .	P24
Coulter Mounted Residue Wheels . . . . .	P26
Coulter Mounted Residue Wheel W/Treader . . . . .	P28

**SPLIT ROW UNIT**

Split Row Unit Assembly . . . . .	P31
Parallel Arms and Face Plate (Split Row) . . . . .	P32
Shank and Depth Adjustment (Split Row) . . . . .	P34
Push Unit Idler Assembly . . . . .	P36
Split Row Unit Drive . . . . .	P38
Split Row Self-Leveling Hitch Extension . . . . .	P40

**BASE MACHINE**

Hitch and Frame Assembly/Safety Chain . . . . .	P43
Safety Chain . . . . .	P46
Transport and Ground Drive Wheel Assembly . . . . .	P48
Contact Wheel and Arm Assembly . . . . .	P50
Driveline, 4 Row 30" . . . . .	P52
Driveline, 6 Row 30" and 8 Row 30" . . . . .	P53
Seed Rate Transmission Assembly . . . . .	P54
Row Marker Assembly, Conventional 4 Row 30" and 6 Row 30" . . . . .	P58
Row Marker Assembly, Two-Fold Low Profile 8 Row 30" . . . . .	P60
Row Marker Spindle/Hub/Blade . . . . .	P62

**HYDRAULICS**

Master Lift Cylinder . . . . .	P65
Slave Lift Cylinder . . . . .	P66
Lift Assist Cylinder, 6 Row 30" and 8 Row 30" . . . . .	P67
Row Marker Cylinder, 4 Row 30" and 6 Row 30" . . . . .	P68
Row Marker Cylinder, 8 Row 30" . . . . .	P69
Split Row Lift Cylinder . . . . .	P70
Row Marker Sequencing/Flow Control Valve . . . . .	P72
Hydraulic System, 4 Row 30" Conventional Row Marker . . . . .	P74
Hydraulic System, 6 Row 30" Conventional Row Marker . . . . .	P76
Hydraulic System, 8 Row 30" Two-Fold Low Profile Row Marker . . . . .	P78

**ELECTRONICS**

Electrical Components and SMV Sign . . . . .	P81
KPM III Electronic Seed Monitor . . . . .	P83

**FERTILIZER**

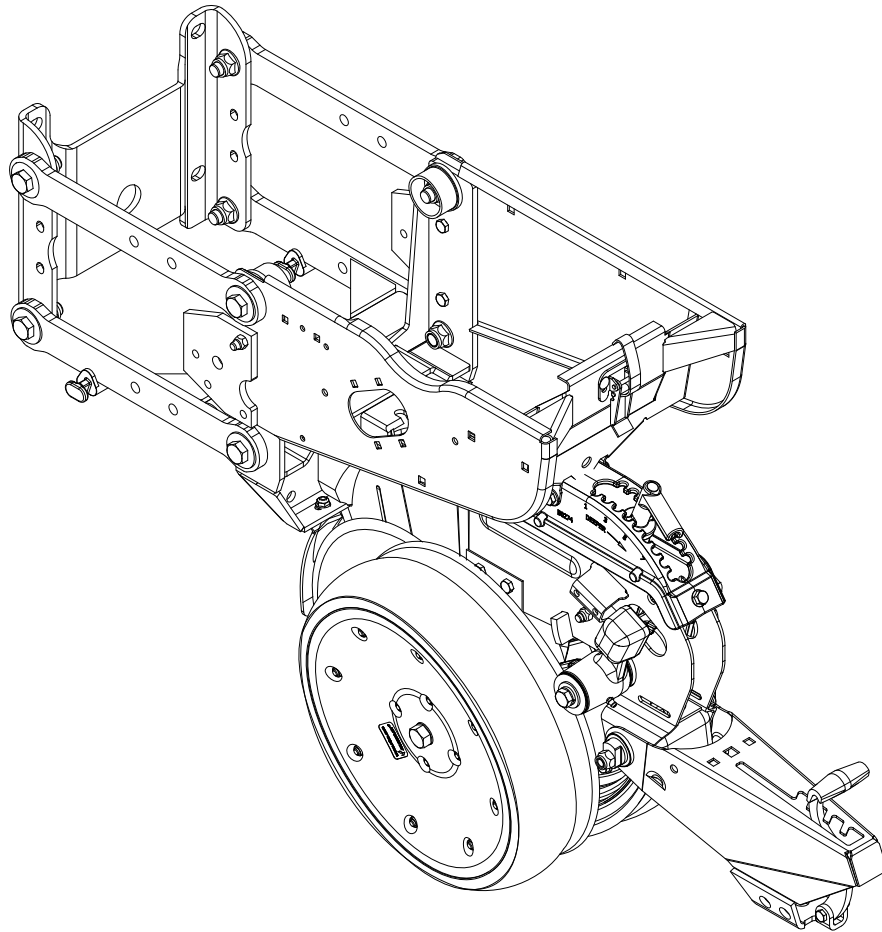
HD Single Disc Fertilizer Opener (Blade and Drop Tube) . . . . .	P87
Notched Single Disc Fertilizer Opener . . . . .	P90
Depth/Gauge Wheel Attachment for Notched Single Disc Fertilizer Opener . . . . .	P94
Fertilizer Opener Mounting Bar (Double Disc and Notched Single Disc Fertilizer Openers) . . . . .	P95
Dry Fertilizer Transmission Assembly . . . . .	P96
Dry Fertilizer Hopper and Mounts . . . . .	P98
Dry Fertilizer Couplers/Shfts . . . . .	P100
Dry Fertilizer Couplers/Shfts . . . . .	P101
Liquid Fertilizer Tanks, Saddle, Mounts, Hoses, and Fittings, 4 Row . . . . .	P102
Liquid Fertilizer Tanks, Saddles, Mounts, Hoses, and Fittings, 6 and 8 Row . . . . .	P104
Liquid Fertilizer Piston Pump Drive . . . . .	P106
Liquid Fertilizer Piston Pump Uses 18 Tooth Sprocket . . . . .	P110
Liquid Fertilizer Piston Pump Flow Divider . . . . .	P112
Liquid Fertilizer Tube In Furrow . . . . .	P114

**MISCELLANEOUS**

Decals, Paint, and Miscellaneous . . . . .	P115
Numerical Index . . . . .	P123

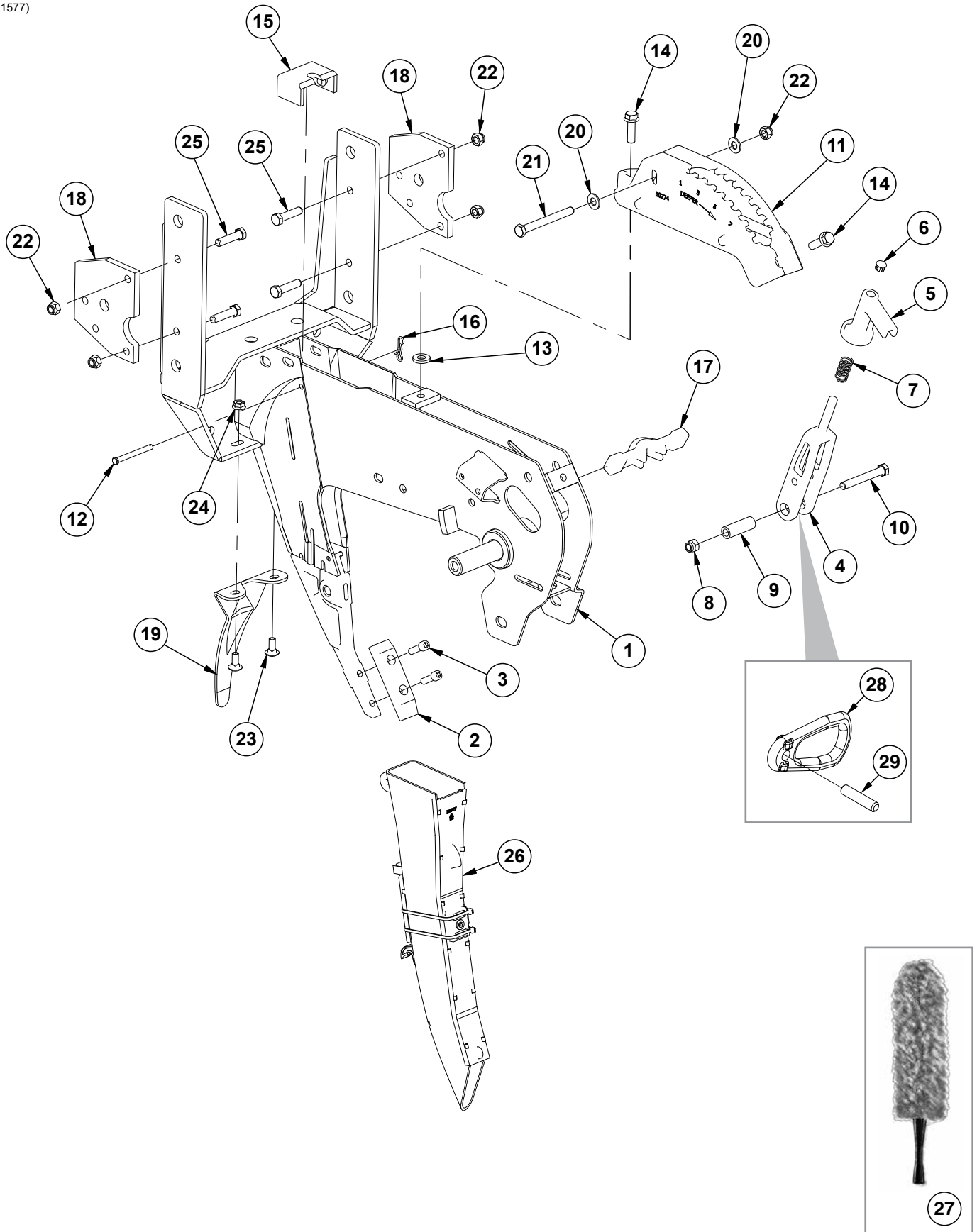
**This page left blank intentionally.**

**NOTE:** Row unit assembly does not include the following: seed meter assembly, seed tube assembly, row unit hopper assembly, closing wheels, or seed meter clutch.



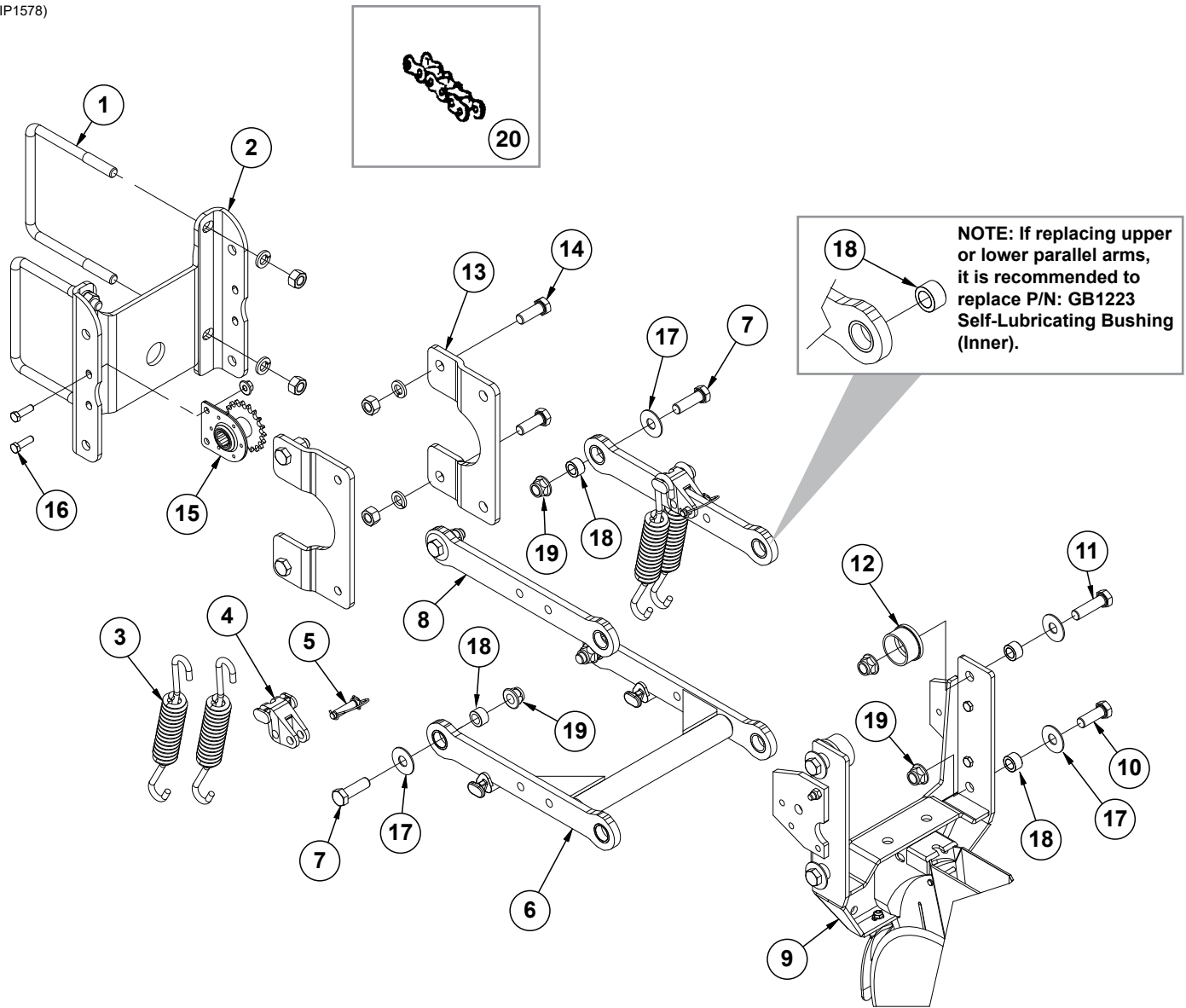
ITEM	PART NO.	QTY.	DESCRIPTION
1	G10502X	1	Pull Row Unit Assembly, Standard Gauge Wheel
2	G10984X	1	Pull Row Unit Assembly, Spoked Gauge Wheel

(IP1577)



ITEM	PART NO.	QTY. (Per Row)	DESCRIPTION
1	GA10157 GD11001 G10438	1 - -	Shank W/Gauge Wheel Pivot Spindle and Set Screw Spindle Hex Head Cap Screw, 1/2"-13 x 3/4"
2	G10038601	1	Scraper
3	G10500901	2	Hex Socket Head Cap Screw, 5/16"-18 x 1"
4	GB0267	1	Lever, Depth Adjustment
5	GB0266	1	Handle, Depth Adjustment
6	GD3612	1	Cap Plug
7	GD10993	1	Spring
8	G11591	1	Hex Lock Nut, 3/8"-24, Grade C
9	GD11259	1	Sleeve, 3/8" I.D. x 5/8" O.D. x 1 <sup>25</sup> / <sub>32</sub> " Long
10	G11592	1	Hex Head Cap Screw, 3/8"-24 x 2 <sup>3</sup> / <sub>4</sub> ", Grade 8
11	GB0274	1	Cover, Depth Adjustment
12	G10551	1	Clevis Pin, 1/4" x 2 1/2"
13	G10207	1	Washer, 7/8" O.D. x 1 <sup>3</sup> / <sub>32</sub> " I.D. x .134" (If Applicable)
14	G11015	2	Hex Washer Head Cap Screw, 3/8"-16 x 1 1/4"
15	GD16245	1	Sun Shade (Rubber)
16	G10122301	1	Bow Tie Cotter Pin
17	GB0265	1	Pivot Link, Depth Adjustment
18	GD24545	2	Row Unit Stop
19	GD28390	1	Shield
20	G11387	2	Flat Washer, 3/8" SAE
21	G10061	1	Hex Head Cap Screw, 3/8"-16 x 3 1/2"
22	G10108	5	Lock Nut, 3/8"-16
23	G10312	2	Carriage Bolt, 5/16"-18 x 3/4"
24	G10620	2	Serrated Flange Nut, 5/16"-18
25	G10003	4	Hex Head Cap Screw, 3/8"-16 x 1 1/2"
26	G10745401	1	Seed Tube Assembly
27	G10475701	1	Seed Tube Brush, Microfiber
28	GB0285	1	Collar, Depth Adjustment
29	G10402701	1	Pin, 3/8" x 1 2/3"

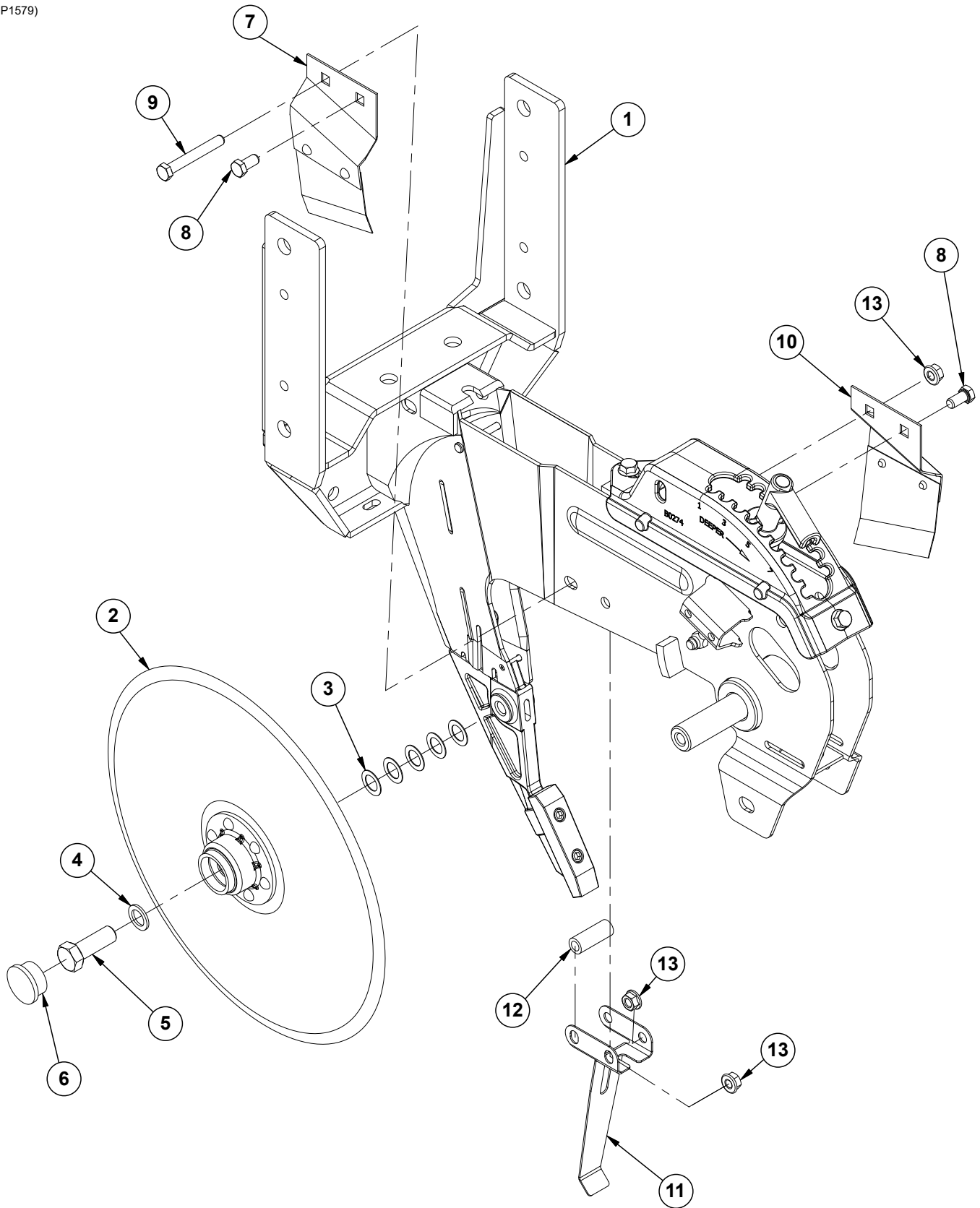
(IP1578)





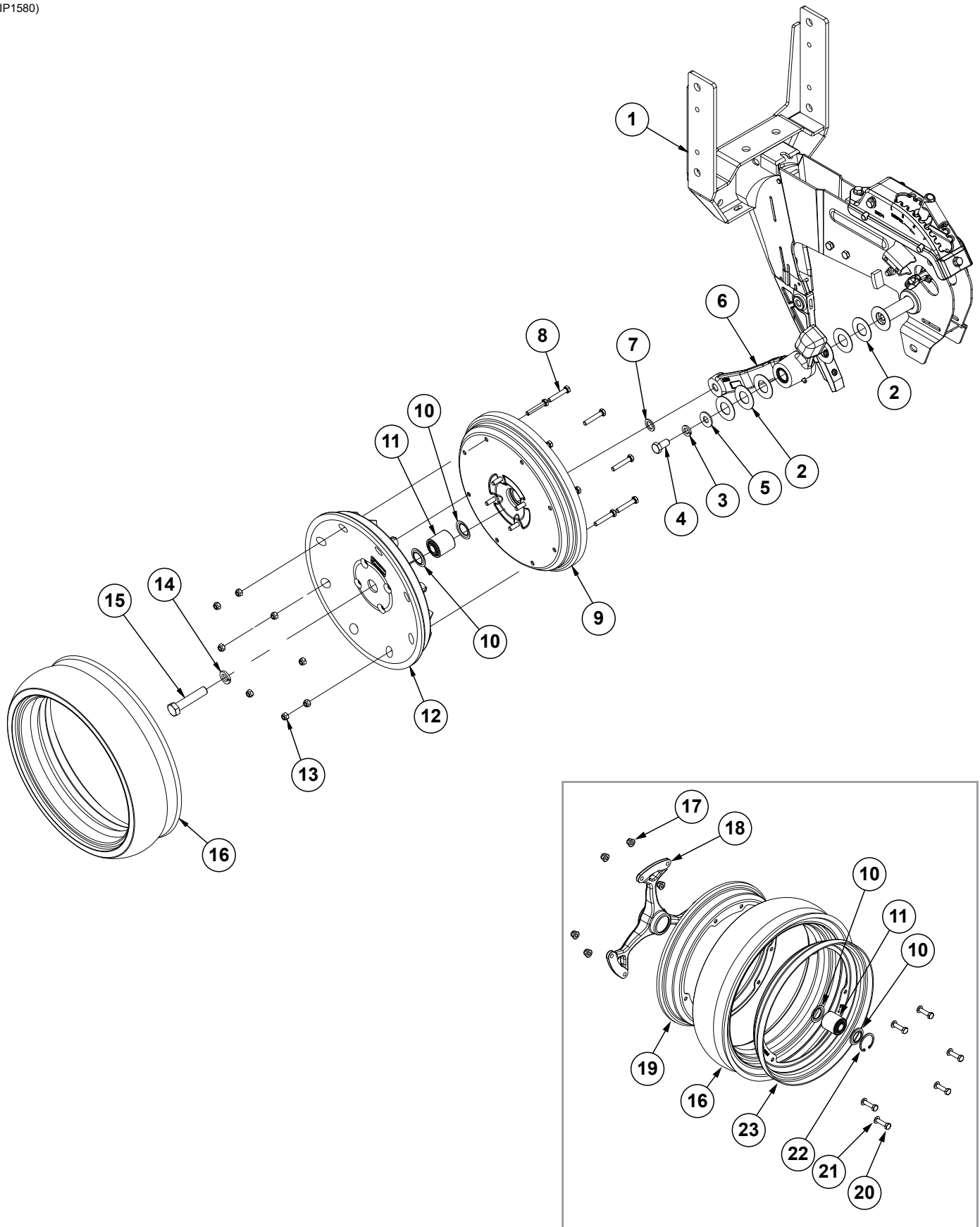
ITEM	PART NO.	QTY. (Per Row)	DESCRIPTION
1	GD1113	2	U-Bolt, 5" x 7" x 5/8"-11
	G10230	4	Lock Washer, 5/8"
	G10104	4	Hex Nut, 5/8"-11
2	GD10036	1	Mounting Support Plate
3	GD21337	4	Heavy Duty Down Pressure Spring
4	GB0186	2	Spring Anchor
5	GD14217	2	Tab Lock Pin, 7/16" x 1 1/2"
6	G10011201	1	Lower Parallel Arm Assembly
	GB1224		Self-Lubricating Bushing, 1 1/4" O.D. x 1" I.D. x 1/2" (Included in G10011201)
7	G10732	4	Hex Head Cap Screw, 5/8"-18 x 2"
8	G10011101	2	Upper Parallel Arm Assembly
	GB1224	2	Self-Lubricating Bushing, 1 1/4" O.D. x 1" I.D. x 1/2" (Included in G10011101)
9	---	1	<a href="#">See "Shank Assembly, Seed Tube, and Depth Adjustment" on page P2</a>
10	G10751	2	Hex Head Cap Screw, 5/8"-18 x 1 3/4"
11	G10752	2	Hex Head Cap Screw, 5/8"-18 x 2 1/4"
12	GB0314	2	Hopper Mount
13	GB0366	2	Extension Bracket
14	G10005	4	Hex Head Cap Screw, 5/8"-11 x 1 3/4"
	G10230	4	Lock Washer, 5/8"
	G10104	4	Hex Nut, 5/8"-11
15	GA1720	1	Bearing/Sprocket, 7/8" Hex Bore
16	G10004	2	Hex Head Cap Screw, 3/8"-16 x 1 1/4"
	G11091	2	Serrated Flange Nut, 3/8"-16
17	G11976	8	Flat Washer, 5/8" x 1 1/4"
18	GB1223	8	Self-Lubricating Bushing
19	G11514	8	Lock Nut, 5/8"-18
20	G3303-98	1	Chain, No. 41, 98 Pitch Including Connector Link (Mechanical)
	G3303-16	1	Chain, No. 41, 16 Pitch Including Connector Link (Used W/Row Unit Extension Brackets)
	GR0196	-	Connector Link, No. 41
A	G6325X	-	U-Bolt Package For 5" x 7" Toolbar, Includes: (2) GD1113, (4) G10230, (4) G10104
B	G1K758	-	Pull Row Unit Parallel Arm Kit, Includes: (2) G10011101, (1) G10011201, (8) GB1223, (8) G11976, (4) G10732, (2) G10751, (2) G10752, (8) G11514, (1) IS1066

(IP1579)



ITEM	PART NO.	QTY. (Per Row)	DESCRIPTION
1	G10037301	1	<a href="#">See "Shank Assembly, Seed Tube, and Depth Adjustment" on page P2</a>
2	G10018801	2	Disc and Bearing Assembly
	GA26920	1	Bearing (Included W/G10018801)
	GD11306	1	Disc Blade, 3.5 mm x 15" (Included W/G10018801)
	GD36860	1	Bearing Housing (Included W/G10018801)
	GD36990	6	Rivet, 1/4" x 9/16" (Included W/G10018801)
3	GD30725	10	Machine Bushing, 5/8" (.030" Thick) (5 Per)
4	G10397801	2	Special Machine Bushing, 5/8" x 1" O.D.
5	GD36856	1	Opener Blade Bolt, 5/8"-11 x 1 3/4", Grade 5 (L.H. Threads)
	G10005	1	Hex Head Cap Screw, 5/8"-11 x 1 3/4"
6	G10090401	2	Plastic Ribbed Hub Cap (1 Per)
7	GA2012L	1	Disc Scraper, L.H.
8	G10002	2	Hex Head Cap Screw, 3/8"-16 x 3/4"
9	G10325	1	Hex Head Cap Screw, 3/8"-16 x 2 3/4"
10	GA2012R	1	Disc Scraper, R.H.
11	GD35444	1	Seed Tube Bracket
12	GD2971-31	1	Sleeve, 3/8" I.D x 5/8" O.D. x 1.78" Long
13	G10622	3	Serrated Flange Nut, 3/8"-16

(IP1580)



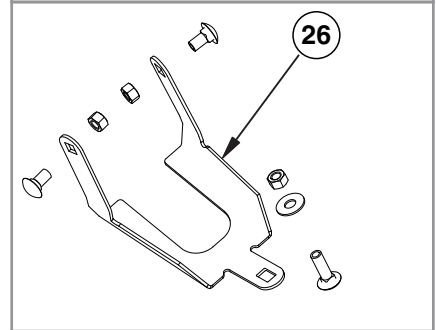
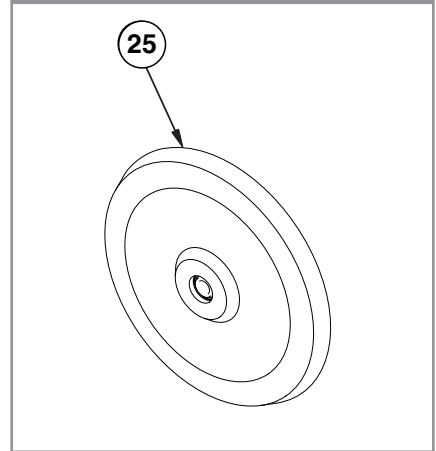
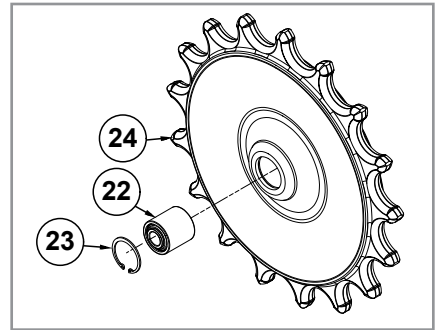
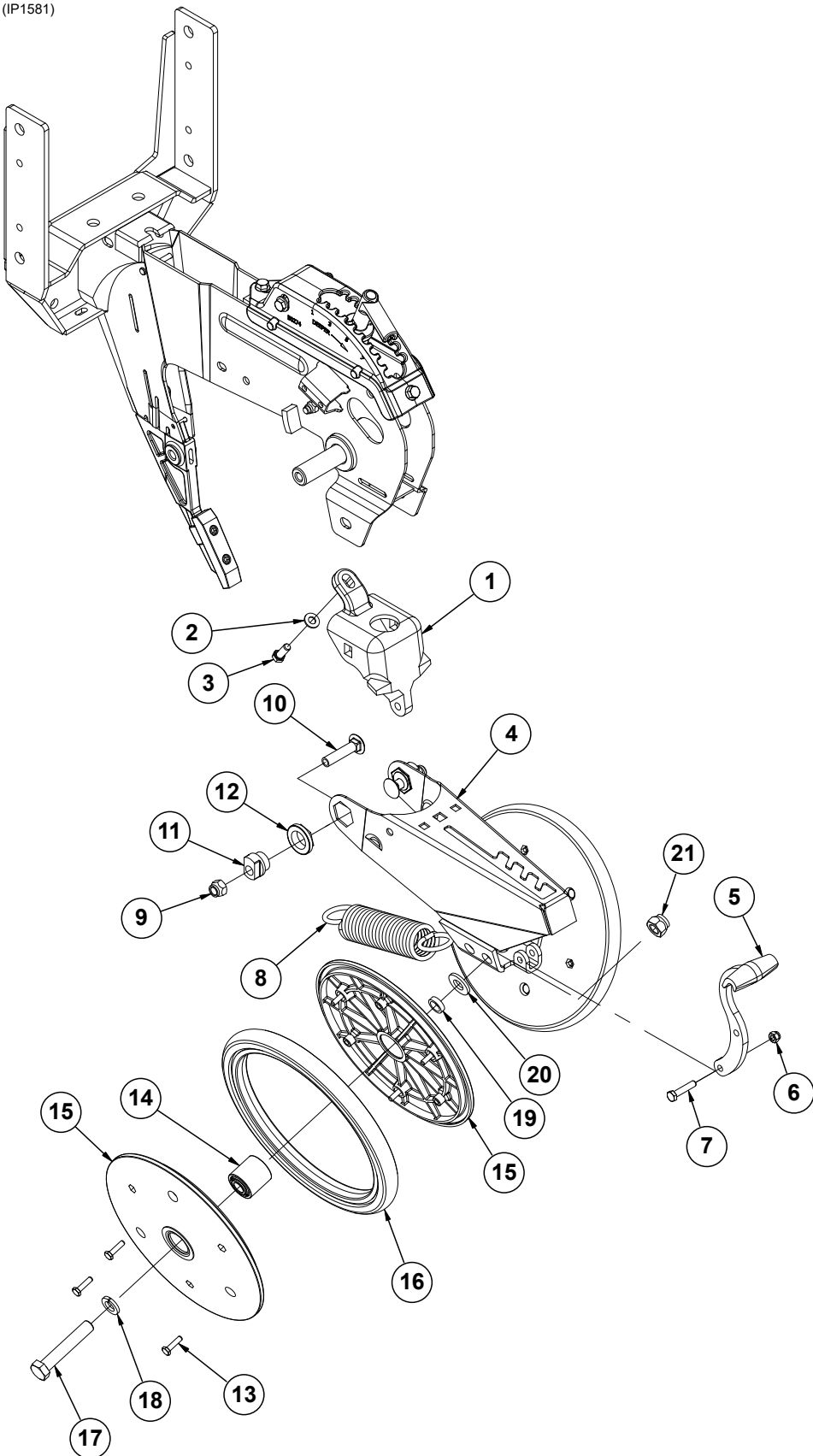
## Gauge Wheels

Model 3005

M0298-02

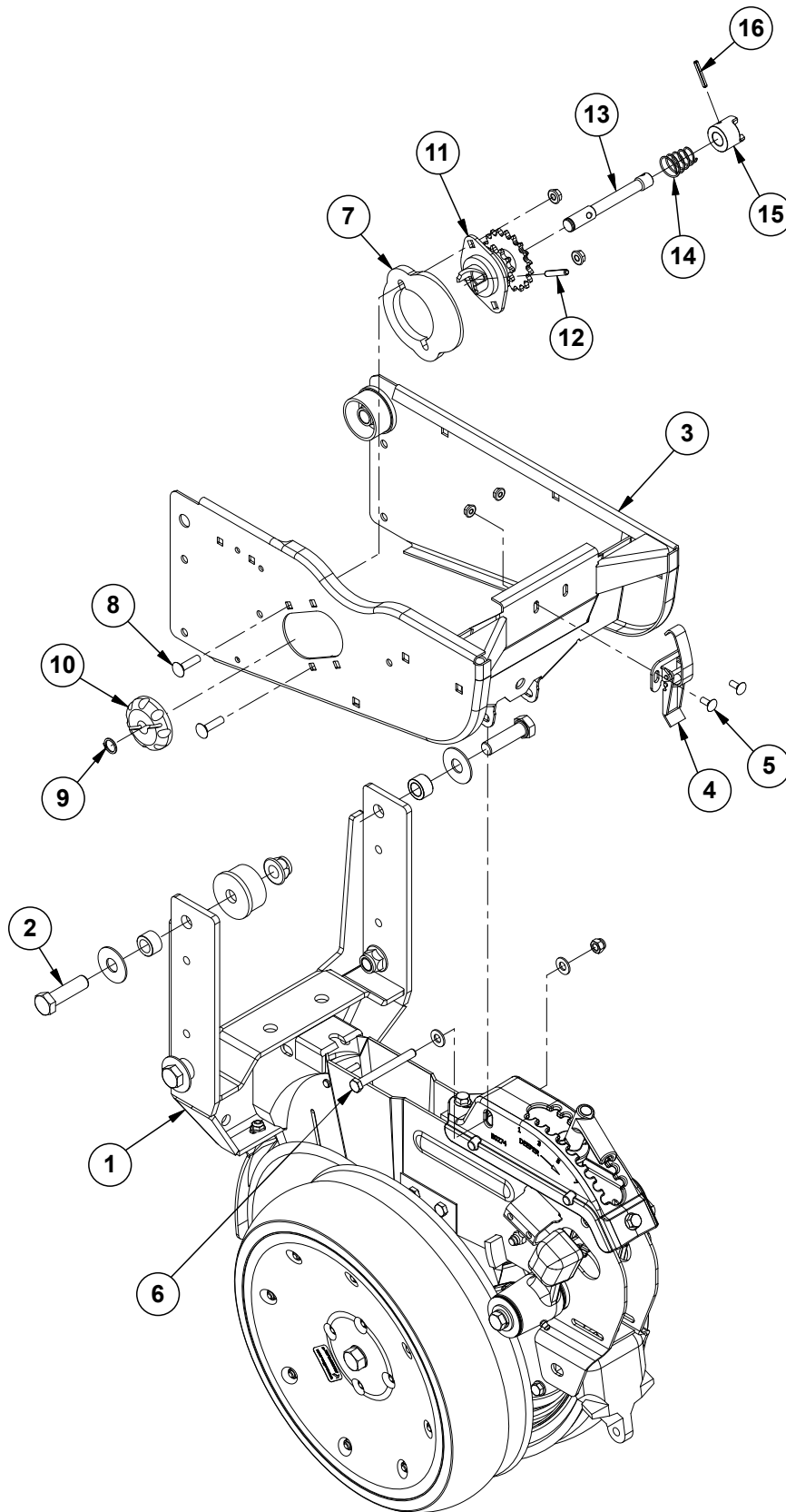
ITEM	PART NO.	QTY. (Per Row)	DESCRIPTION
1	---	-	<a href="#">See "Shank Assembly, Seed Tube, and Depth Adjustment" on page P2</a>
2	G10940	7	Machine Bushing, 1" (.048" Thick)
3	G10228	2	Lock Washer, 1/2"
4	G10014	2	Hex Head Cap Screw, 1/2"-13 x 1"
5	G10216	2	Washer, 1/2" USS
6	GA21677	1	Wheel Arm W/Grease Fitting, Bushings, and Seals, L.H. (Shown)
	GA21676	-	Wheel Arm W/Grease Fitting, Bushings, and Seals, R.H.
	GD10991	2	Seal (Per Arm) (Included W/GA21677 and GA21676)
	GB0276	2	Bushing, 1" I.D. x 1 1/4" O.D. x 1" Long (Per Arm) (Included W/GA21677 and GA21676)
7	G10397801	1	Special Machine Bushing, 5/8" x 1" O.D.
8	G10871701	8	Hex Non-Serrated Cap Screw, M8 x 45
9	G10028701	1	Half Gauge Wheel
	G10871601	4	Hex Non-Serrated Cap Screw, M8 x 25
10	GD36713	2	Gauge Wheel Dust Shield
11	GA6171	1	Bearing
12	GD36709	1	Half Gauge Wheel
13	G10871801	12	Hex Flanged Lock Nut, Nylon Lock - M8
14	G10230	1	Lock Washer, 5/8"
15	G10010	1	Hex Head Cap Screw, 5/8"-11 x 3"
16	G10028601	1	Tire, 4 1/2" x 16
17	G10335001	6	Flange Wheel
18	G10334701	1	Flange Hub
19	G10334901	1	Flange Wheel
20	G10335101	6	Screw, M8 x 30/8.8
21	G11386	6	Flat Washer, 5/16" SAE
22	G10335201	1	Elastic Ring
23	G10334801	1	Flange Wheel
A	G10028801	-	Standard Gauge Wheel Complete (Items 8-13 and 16)
B	G1K296	-	Gauge Wheel Arm Bushing and Seal Driver Kit, Includes: (1) Seal Driver, (1) Bushing Driver, (1) Instruction
C	G10322501	-	Spoked Gauge Wheel Complete (Items 10-11 and 16-23)

(IP1581)



ITEM	PART NO.	QTY. (Per Row)	DESCRIPTION
1	GB0268	1	Wheel Arm Mount
2	G11387	1	Flat Washer, 3/8" SAE
3	G10001	1	Hex Head Cap Screw, 3/8"-16 x 1"
4	GA15197	1	Closing Wheel Arm
5	GB0254	1	Lever
6	G10109	1	Lock Nut, 5/16"-18, Grade 8
7	G10133	1	Hex Head Cap Screw, 5/16"-18 x 1 1/2"
8	GD8460	1	Spring
9	G10111	2	Lock Nut, 1/2"-13
10	G11419	2	Carriage Bolt, 1/2"-13 x 2 1/4"
11	GB0239	2	Eccentric Bushing
12	GB0282	2	Stepped Bushing
13	G10064	6	Hex Head Cap Screw, 1/4"-20 x 1"
14	GA6171	1	Bearing
15	GD9120	2	Nylon Half Wheel
16	GD1085	1	Rubber Tire, 1" x 12"
17	G10013	2	Hex Head Cap Screw, 5/8"-11 x 3 1/2"
18	G10230	2	Lock Washer, 5/8"
19	GD1109	2	Bushing, 4 1/64" I.D. x 7/8" O.D. x 1/4" Long
20	G11391	2	Flat Washer, 5/8" SAE
21	G10107	2	Lock Nut, 5/8"-11
22	GA6171	1	Bearing (Included W/GA26958)
23	G11862	1	Internal Retaining Ring (Included W/GA26958)
24	GA26958	1	Spiked Closing Wheel Assembly (Includes items 22 and 23)
25	GA6597	1	Cast Iron Closing Wheel W/Bearing
	GA6171	1	Bearing
26	G1K345	-	Closing Wheel Shield Kit W/Hardware and Instruction
	GD26146	1	Closing Wheel Shield (Included W/G1K345)
	G10599	1	Carriage Bolt, 3/8"-16 x 1 1/4" (Included W/G1K345)
	G10308	2	Carriage Bolt, 3/8"-16 x 3/4" (Included W/G1K345)
	G10101	3	Hex Nut, 3/8"-16 (Included W/G1K345)
	G10229	3	Lock Washer, 3/8" (Included W/G1K345)
	G11387	1	Hardened Washer, 3/8" SAE (Included W/G1K345)
A	GA6434	-	Rubber Closing Wheel Complete W/Bearing (Items 13-16)

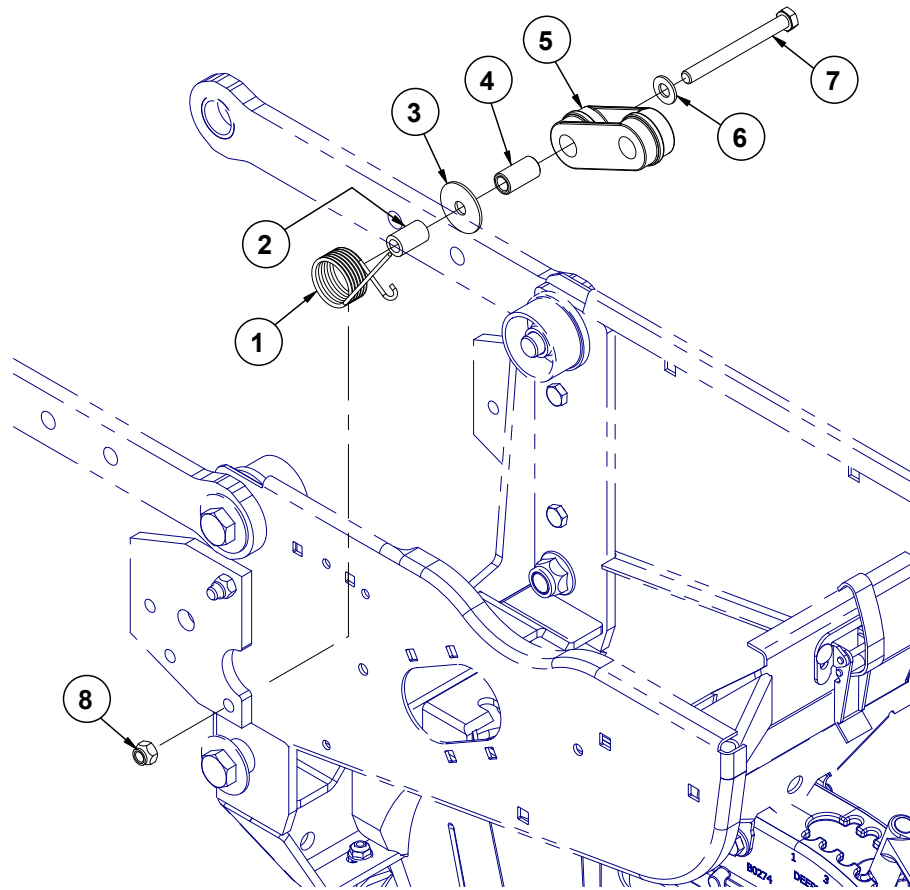
(IP1582)





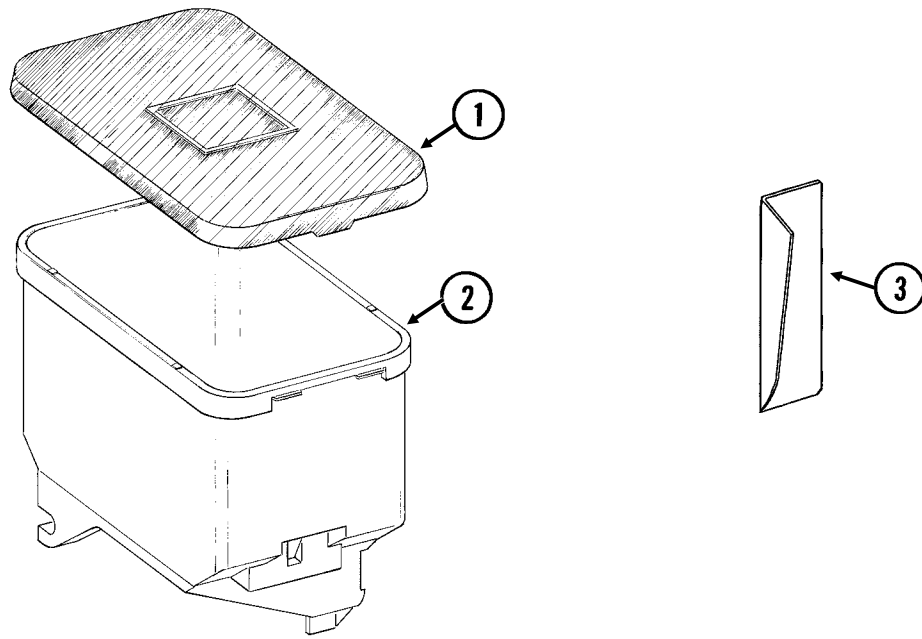
ITEM	PART NO.	QTY. (Per Row)	DESCRIPTION
1	---	1	<a href="#">See "Shank Assembly, Seed Tube, and Depth Adjustment" on page P2</a>
2	G10752	2	Hex Head Cap Screw, 5/8"-18 x 2 1/4"
3	G10329801	1	Hopper Support
4	GA2007	1	Hopper Hold Down Latch
5	G10309	2	Carriage Bolt, 1/4"-20 x 5/8", Grade 2
	G10621	2	Serrated Flange Nut, 1/4"-20
6	G10061	1	Hex Head Cap Screw, 3/8"-16 x 3 1/2"
	G11387	2	Flat Washer, 3/8" SAE
	G10108	1	Lock Nut, 3/8"-16
7	G11013001	1	Clutch Adapter Plate
8	G10338	2	Carriage Bolt, 5/16"-18 x 1 1/4"
	G10620	2	Serrated Flange Nut, 5/16"-18
9	G10567	1	External Retaining Ring, 5/8"
10	GD11239	1	Knob
11	GA10137	1	Double Sprocket and Bearing, Drive Clutch, 11/19 Tooth
12	G10602	1	Spring Pin, 1/4" x 1 1/2"
13	GD29507	1	Clutch Shaft
14	GD11413	1	Spring
15	GB0278	1	Coupler
16	G10546	1	Spring Pin, 3/16" x 1 1/4"
A	GA10151	-	Seed Meter Clutch Assembly, 11/19 Tooth (Items 9-16)

(IP1583)



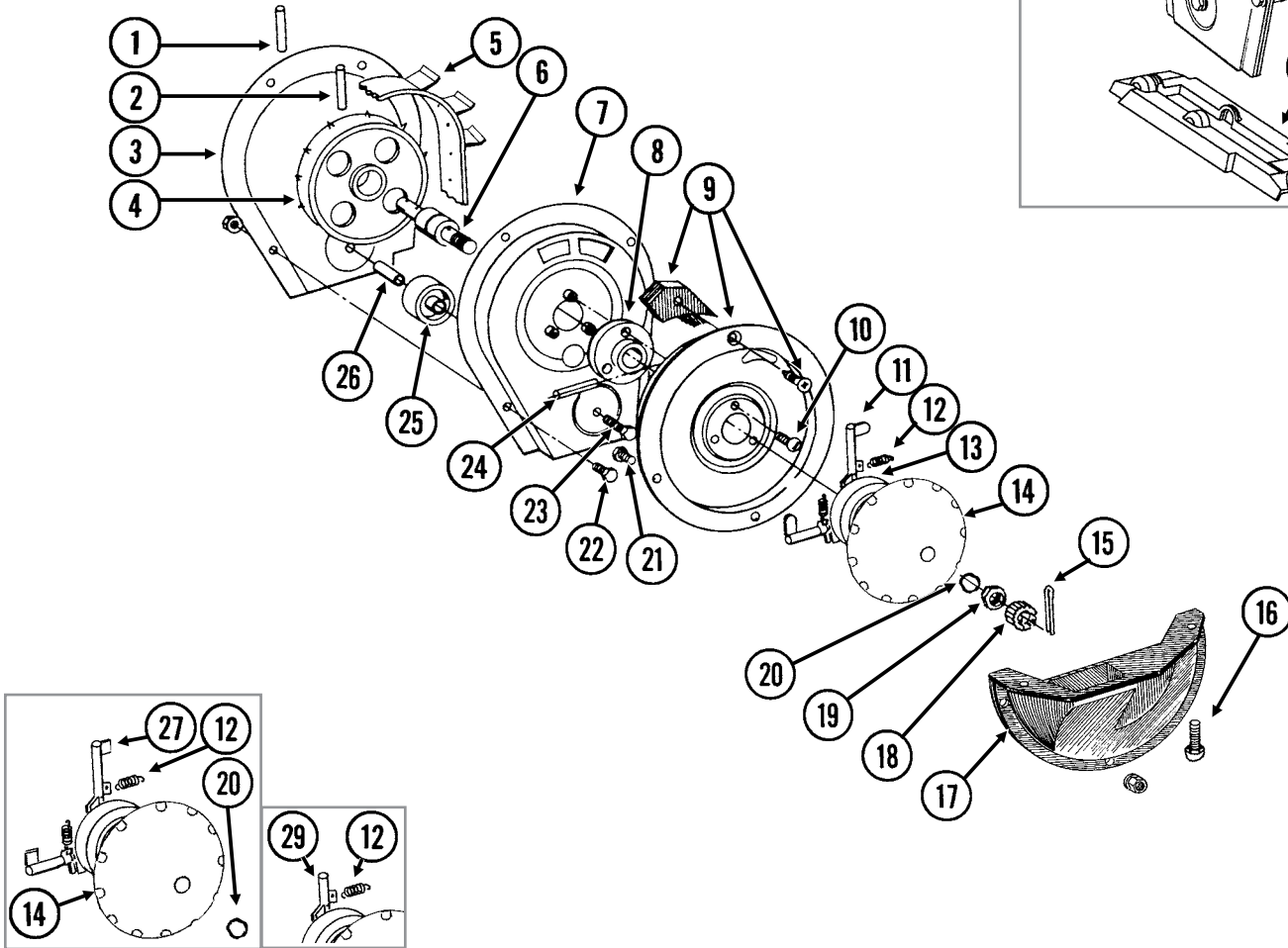
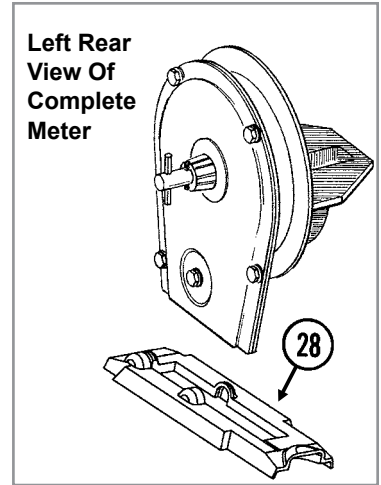
ITEM	PART NO.	QTY. (Per Row)	DESCRIPTION
1	GD1065	1	Idler Spring
2	GD7318	1	Sleeve, 1" Long
3	G10201	1	Special Washer, 3/8" x 1 1/2" O.D.
4	GD1026	1	Sleeve, 1 3/16" Long
5	GD11962	1	Idler
6	G11387	1	Flat Washer, 3/8" SAE
7	G10326	1	Hex Head Cap Screw, 3/8"-16 x 3 3/4"
8	G10108	1	Lock Nut, 3/8"-16

(RU87e/RU87a)

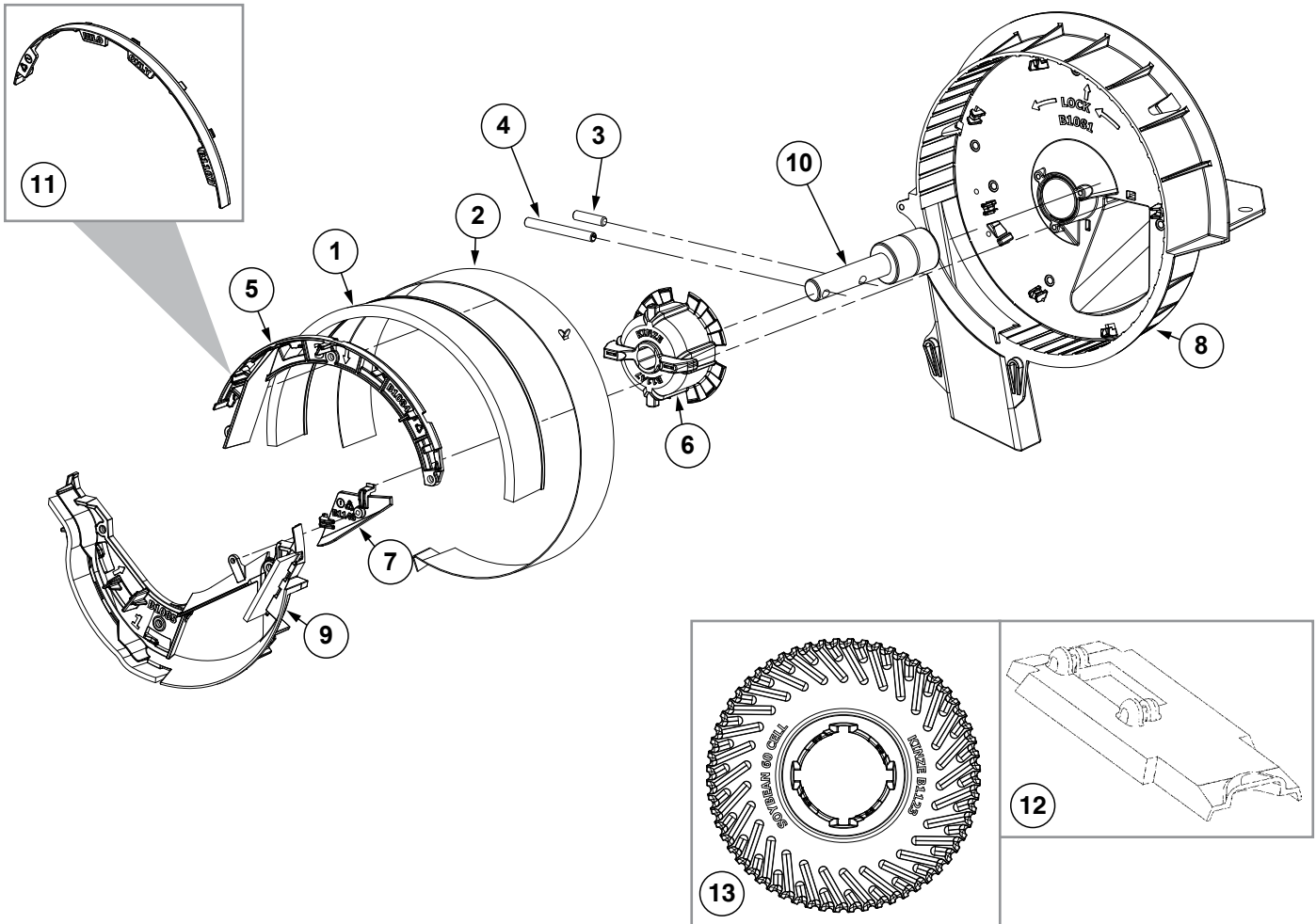


ITEM	PART NO.	QTY. (Per Row)	DESCRIPTION
1	GD11279	1	Lid
2	GA9714	1	Seed Hopper, Reinforced
	GD12561	-	Threaded Insert, 5/16"-18 (Included W/GA9714)
3	GD11747	1	Seed Reserve Baffle

RUA015/RUA056/RUA057(RU13k/RU13d)

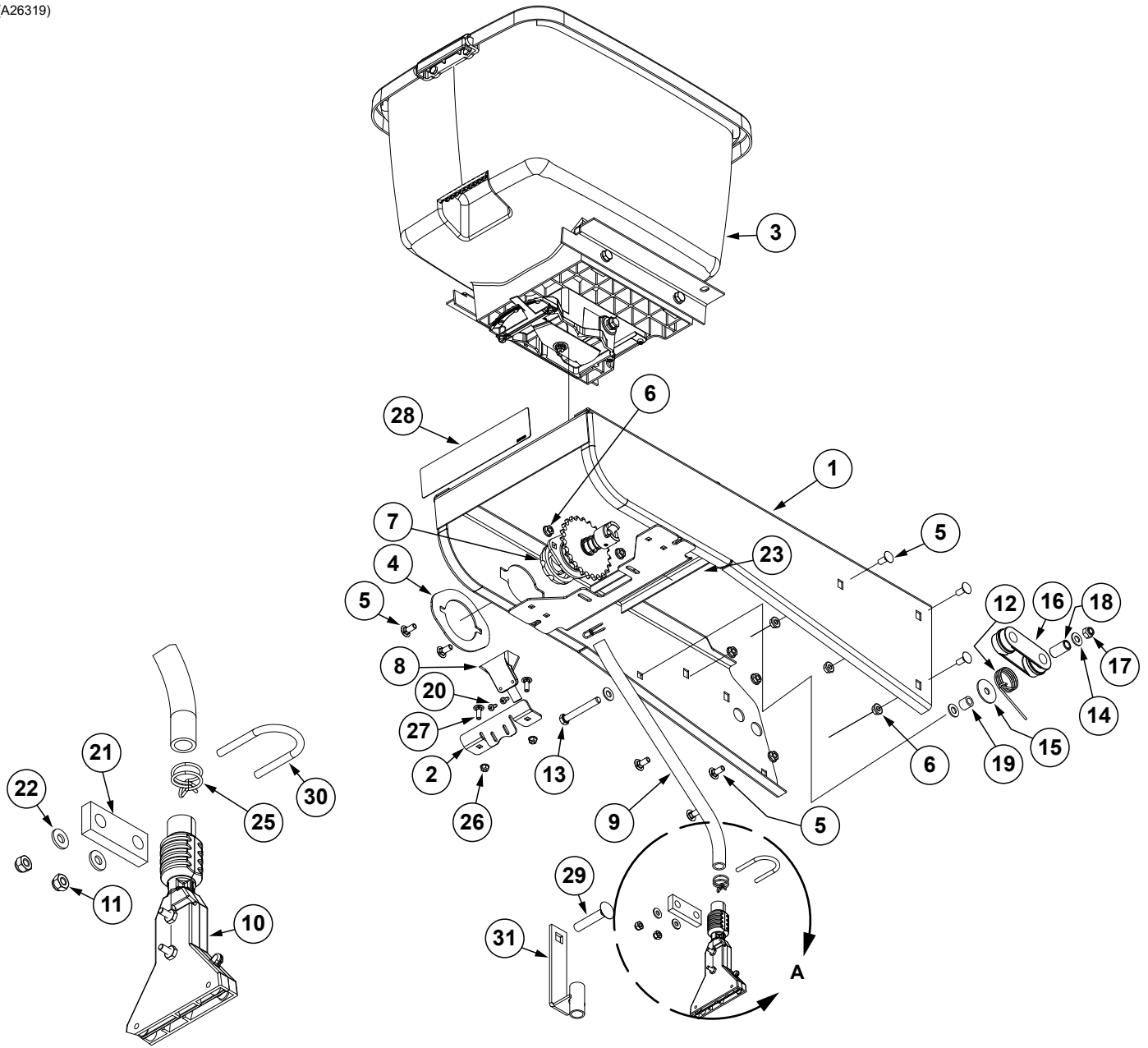


ITEM	PART NO.	QTY. (Per Row)	DESCRIPTION
1	G10602	1	Spring Pin, 1/4" x 1 1/2"
2	G10604	1	Spring Pin, 3/16" x 1 1/2"
3	G10429301	1	Housing Cover
4	GD1041	1	Belt Drive Sprocket
5	GD11286	1	Seed Belt
6	GA2019	1	Bearing
7	G10429101	1	Conveyor Housing
8	GB0110	1	Bearing Housing
9	GR1569	-	Carrier Plate W/Brush and Screw (Corn)
	GR0664	-	Carrier Plate W/Brush and Screw (Sunflower)
	GA2020	-	Brush
	G10690	-	Rolling Thread Screw, No. 10 x 3/4"
10	G10401	3	Slotted Hex Washer Head Screw, No. 10-32 x 5/8"
11	GD18704	12	Finger, Corn
12	GD19790	12	Spring
13	GB0410	1	Cam
14	GD11528	1	Finger Holder (Corn and Sunflower - Used With GR1848)
	GD26594	-	Finger Holder (Corn and Sunflower - Used With GR2154)
15	G10470	1	Cotter Pin, 5/32" x 1"
16	G11009	2	Locking Thumbscrew, 5/16"-18 x 3/4"
17	GD36922	1	Seed Baffle
18	GD1083	1	Cover Nut
19	G10500	1	Jam Nut, 5/8"-18 UNF
20	GA8343	1	Wave Washer, 5/8" (Triple Wave)
21	G10020	3	Hex Head Cap Screw, 1/4"-20 x 5/8"
	G10323	3	Hex Flange Nut, 1/4"-20, No Serrations
22	G10022	4	Hex Head Cap Screw, 1/4"-20 x 1/2"
	G10621	4	Serrated Flange Nut, 1/4"-20
23	G10021	1	Hex Head Cap Screw, 1/4"-20 x 1 1/2"
	G10621	1	Serrated Flange Nut, 1/4"-20
24	G10603	1	Spring Pin, 1/4" x 1 1/4"
25	GD1042	1	Idler
26	GB0120	1	Bushing, 1 7/64" I.D. x 1 1/32" Long
27	GD19333	12	Finger, Oil Sunflower
28	GD15698	1	Shank Cover, Finger Pickup Seed Meter
29	GD11787	-	Half Rate Blank Finger
30	GB0410	-	Cam (Sunflower)
A	GR1848	-	Finger Assembly, Corn (Items 11-14 and 20)
B	GR2154	-	Finger Assembly, Sunflower (Items 12, 14, 20, 27, and 30)
C	700-01078	-	Corn Meter Assembly (Items 1-26 and 28)
D	900-01117	-	Sunflower Meter Assembly (Items 1-10, 12, 14-15, 17-27, and 30)

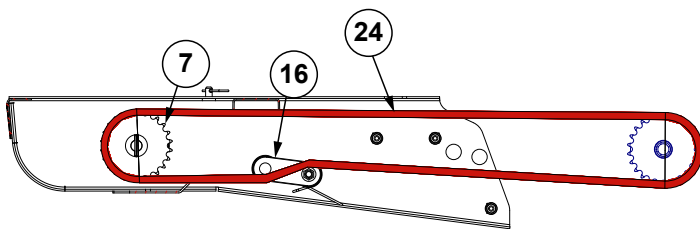


ITEM	PART NO.	QTY. (Per Row)	DESCRIPTION
1	GA5699	1	Upper Brush
2	GD8778	1	Wear Strip
3	G11448	1	Pin, 1/4" x 1"
4	G10475	1	Spring Pin, 1/4" x 2 1/4"
5	GB1084	1	Upper Brush Retainer (Used W/Soybean and Wheat Discs)
6	GB1147	1	Disc Hub
7	GB1148	1	Lower Retainer Wall
8	G10478101	1	Brush Meter Housing
9	G10476201	1	Lower Brush Retainer Assembly
	G10266501	1	Lower Brush Retainer (Included W/G10476201)
	GD34021-02	1	Brush, 6" (Included W/G10476201)
	GD35784-01	1	Brush, 2" (Included W/G10476201)
10	GA5698	1	Bearing
11	GB1107	-	Upper Brush Retainer (Used W/Milo/Grain Sorghum Discs)
12	GD15699	1	Shank Cover, Brush-Type Seed Meter
13	GB1123		Seed Disc, Soybean, 60 Cell, Black Color-Coded
	GB1171		Seed Disc, Soybean, 54 Cell, Dark Gray Color-Coded
	GB1124		Seed Disc, Soybean, 48 Cell, Dark Blue Color-Coded
	GB1130		Seed Disc, Small Milo/Grain Sorghum, 30 Cell, Orange Color-Coded
	GB1131		Seed Disc, Large Milo/Grain Sorghum, 30 Cell, Light Blue Color-Coded
	GB1132		Seed Disc, High Rate Small Milo/Grain Sorghum, 60 Cell, Red Color-Coded
	GB1133		Seed Disc, High Rate Large Milo/Grain Sorghum, 60 Cell, Yellow Color-Coded
	GB1134		Seed Disc, Wheat, 54 Cell, Purple Color-Coded
A	700-01339	-	Brush Meter 2.0 (Items 1-11)

(A26319)



Detail A

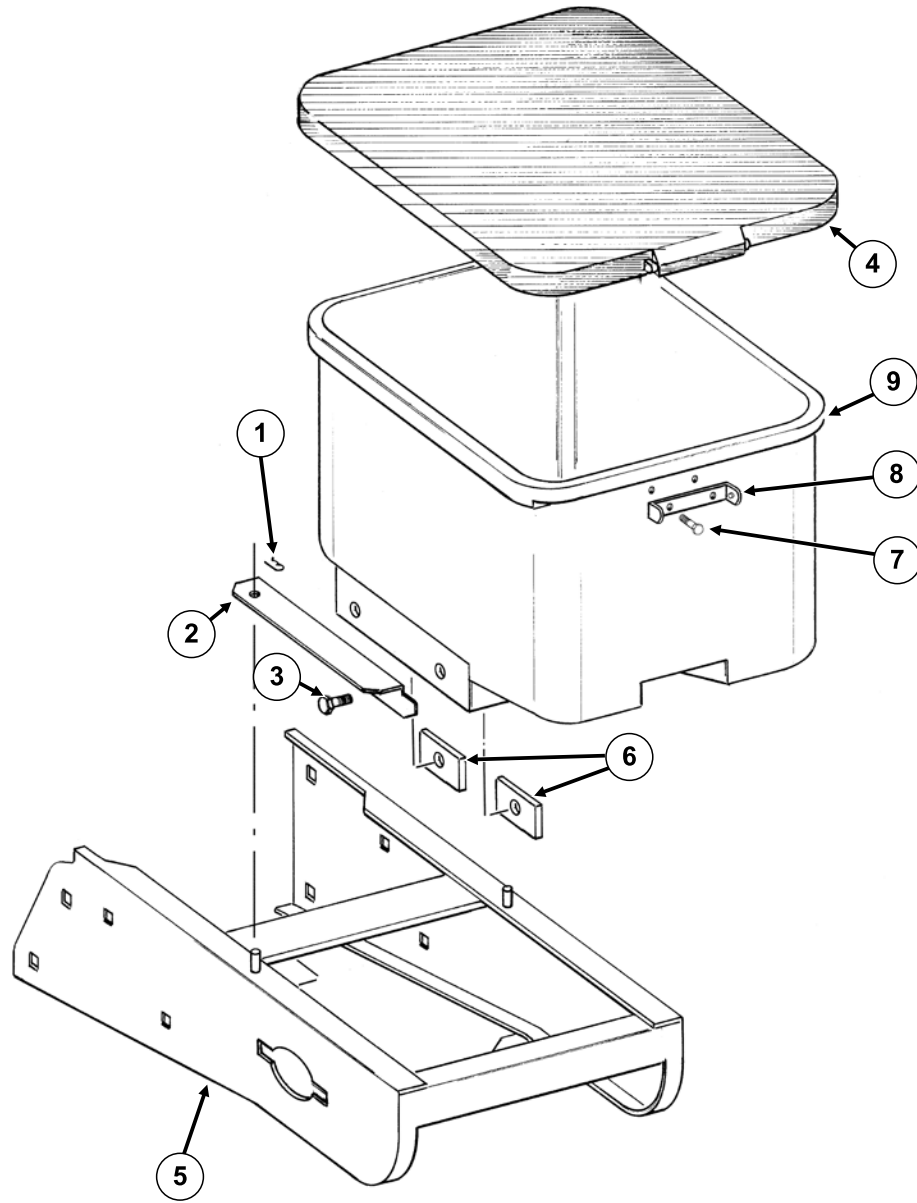


Chain Routing



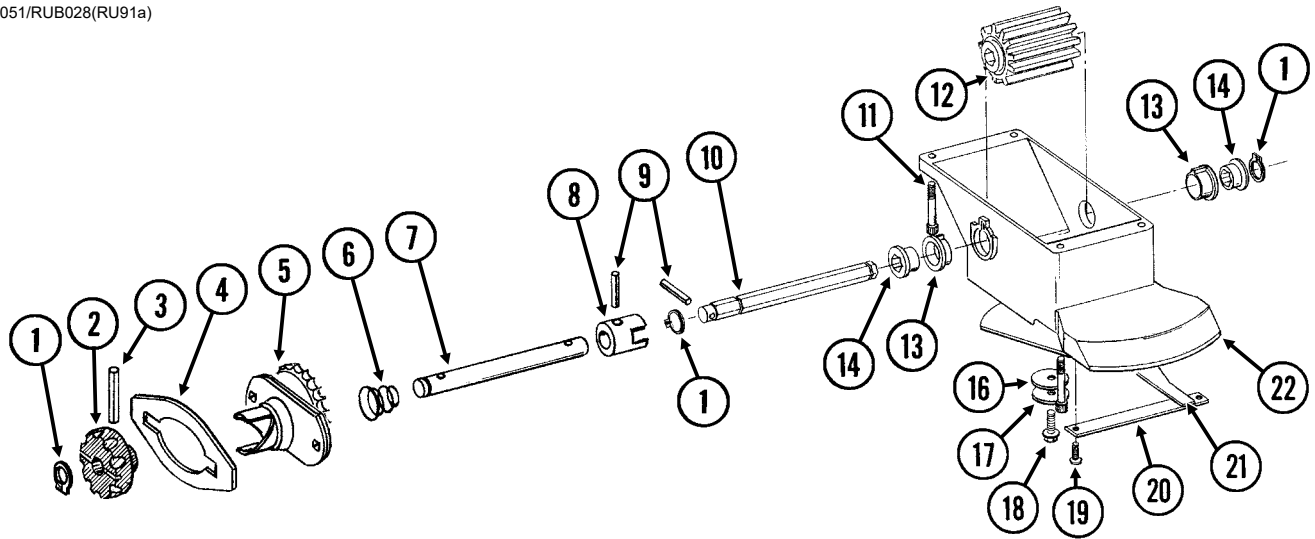
ITEM	PART NO.	QTY. (Per Row)	DESCRIPTION
1	A26287	1	Hopper Panel Extension <b>(Non-Stock Item)</b>
2	GD36277	1	Funnel Bracket
3	---	-	<a href="#">See "Granular Chemical Hopper and Hopper Panel Extension" on page P22</a>
4	GD11305	1	Plate
5	G10312	8	Carriage Bolt, 5/16"-18 x 3/4"
6	G10620	8	Serrated Flange Nut, 5/16"-18
7	---	1	<a href="#">See "Granular Chemical Meter and Meter Drive" on page P23</a>
8	GD2423	1	Funnel
9	GD2947	1	Hose, 7/16" x 28"
10	GA6907	1	Slope-Compensating Bander W/Hardware (4 1/2" Band Width)
	G10864	1	Uni-Clamp (Included W/GA6907)
	G10757	2	Pan Head Screw, No. 10-32 x 1 1/4" (Included W/GA6907)
	G10758	2	Hex Nut, No. 10-32 (Included W/GA6907)
11	G10110	2	Lock Nut, 1/4"-20, Grade B
12	GD11219	1	Spring
13	G10325	1	Hex Head Cap Screw, 3/8"-16 x 2 3/4"
14	G11387	3	Flat Washer, 3/8" SAE
15	G10201	1	Special Washer, 3/8" x 1 1/2" O.D.
16	GD11962	1	Idler
17	G10108	1	Lock Nut, 3/8"-16
18	GD1026	1	Sleeve, 1 3/16" Long
19	GD2971-10	1	Sleeve, 9/16" Long
20	G10966	2	Phillips Head Self-Tapping Screw, No. 10 x 1/2"
21	GD10984	1	Spacer
22	G11385	2	Flat Washer, 1/4" SAE
23	G10670	2	Hair Pin Clip, No. 3
24	G3303-114	1	Chain, No. 41, 114 Pitch Including Connector Link
	GR0196	1	Connector Link, No. 41
25	G11209	2	Wire Hose Clamp, 3/4"
26	G10621	2	Serrated Flange Nut, 1/4"-20
27	G10310	2	Carriage Bolt, 1/4"-20 x 3/4", Grade 2
28	---	-	<a href="#">See "Decals, Paint, and Miscellaneous" on page P115</a>
29	G10315	1	Carriage Bolt, 1/2"-13 x 2 1/2" (Replaces Existing 1/2" x 2 1/4" Hardware)
30	GD10963	1	U-Bolt, 1 1/2" x 1 5/16" x 1/4"-20
31	GA6741	1	Bracket (Straight Drop In-Furrow)

(METR14d)



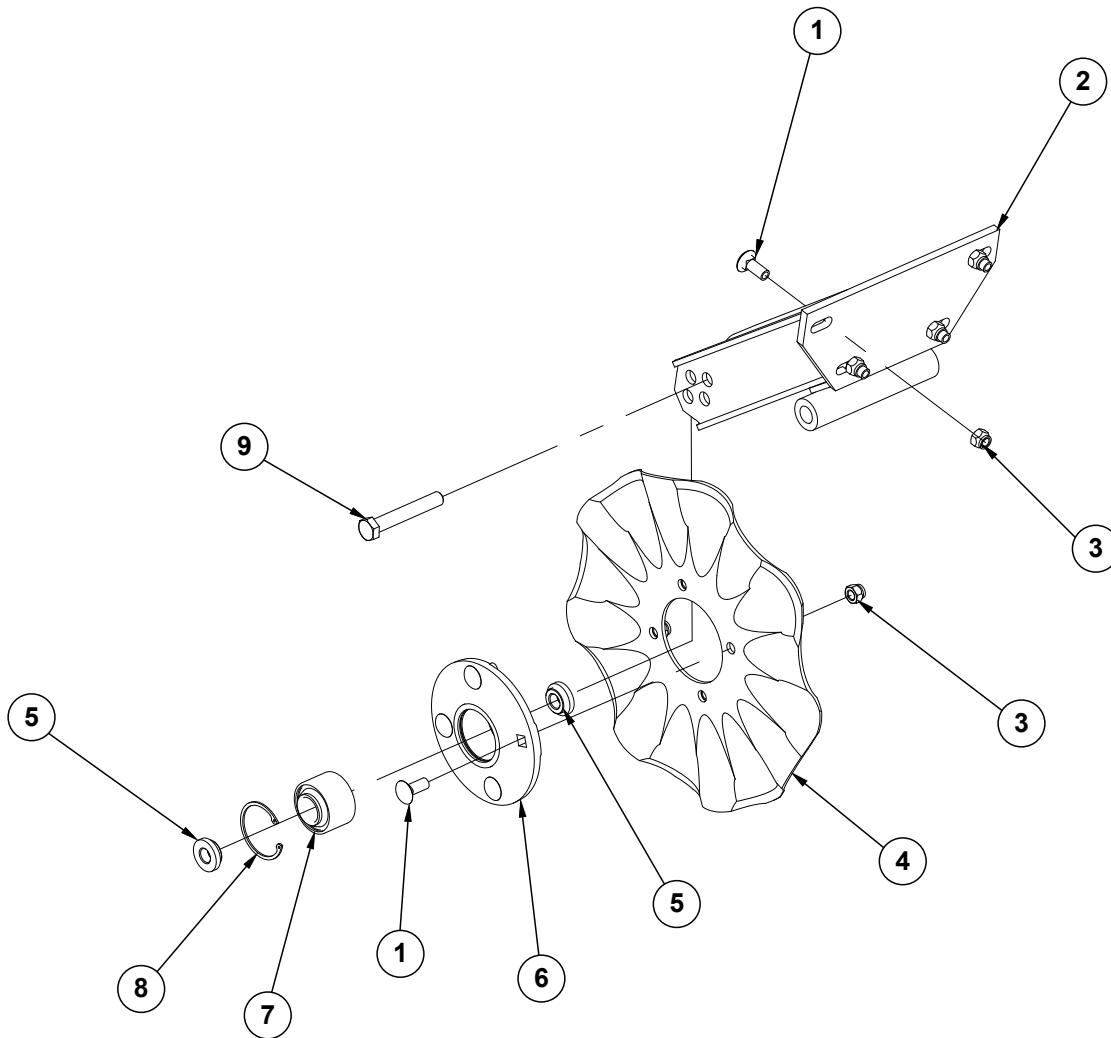
ITEM	PART NO.	QTY. (Per Row)	DESCRIPTION
1	G10670	2	Hair Pin Clip, No. 3
2	GD1059L	1	Support, L.H. (Shown)
	GD1059R	1	Support, R.H.
3	G10002	4	Hex Head Cap Screw, 3/8"-16 x 3/4"
	G10229	4	Lock Washer, 3/8"
4	GA4444	1	Lid
5	GA26287	1	Hopper Panel Extension ( <b>Non-Stock Item</b> )
6	GD11424	4	Block
7	G10023	2	Hex Head Cap Screw, 1/4"-20 x 3/4"
	G10621	2	Serrated Flange Nut, 1/4"-20
8	GD1060	1	Hinge
9	GA8371	1	Hopper

RUA051/RUB028(RU91a)



ITEM	PART NO.	QTY. (Per Row)	DESCRIPTION
1	G10567	3	External Retaining Ring, 5/8"
2	GD11239	1	Knob
3	G10602	1	Spring Pin, 1/4" x 1 1/2"
4	---	-	<a href="#">See "Granular Chemical Hopper and Hopper Panel Extension" on page P22</a>
5	GA8364	1	Sprocket and Bearing, Drive Clutch, 24 Tooth
6	GD11413	1	Spring
7	GD11240	1	Shaft
8	GB0278	1	Coupler
9	G10546	2	Spring Pin, 3/16" x 1 1/4"
10	GD11297	1	Shaft
11	G11793	4	Hex Socket Head Cap Screw, No. 10-24 x 7/8"
12	GD7148	1	Feed Roller, Hex Bore
13	GB0115	2	Bearing
14	GD7258	2	Hex Bushing
15	---	-	---
16	G10660	1	Wave Washer, 1/2"
17	G11385	1	Flat Washer, 1/4" SAE
18	G10570	1	Slotted Hex Self-Tapping Screw, 1/4"-20 x 3/4"
19	G11073	2	Slotted Hex Self-Tapping Screw, No. 10 x 3/8"
20	GD1061	1	Support Strap
21	GD1063	1	Metering Gate
22	GB0116	1	Granular Housing
A	GA8326	-	Granular Chemical Meter Complete (Items 1, 9, 10, 12-14 and 16-22)
B	GA8366	-	Granular Chemical Meter Clutch (Items 1-3 and 5-9)

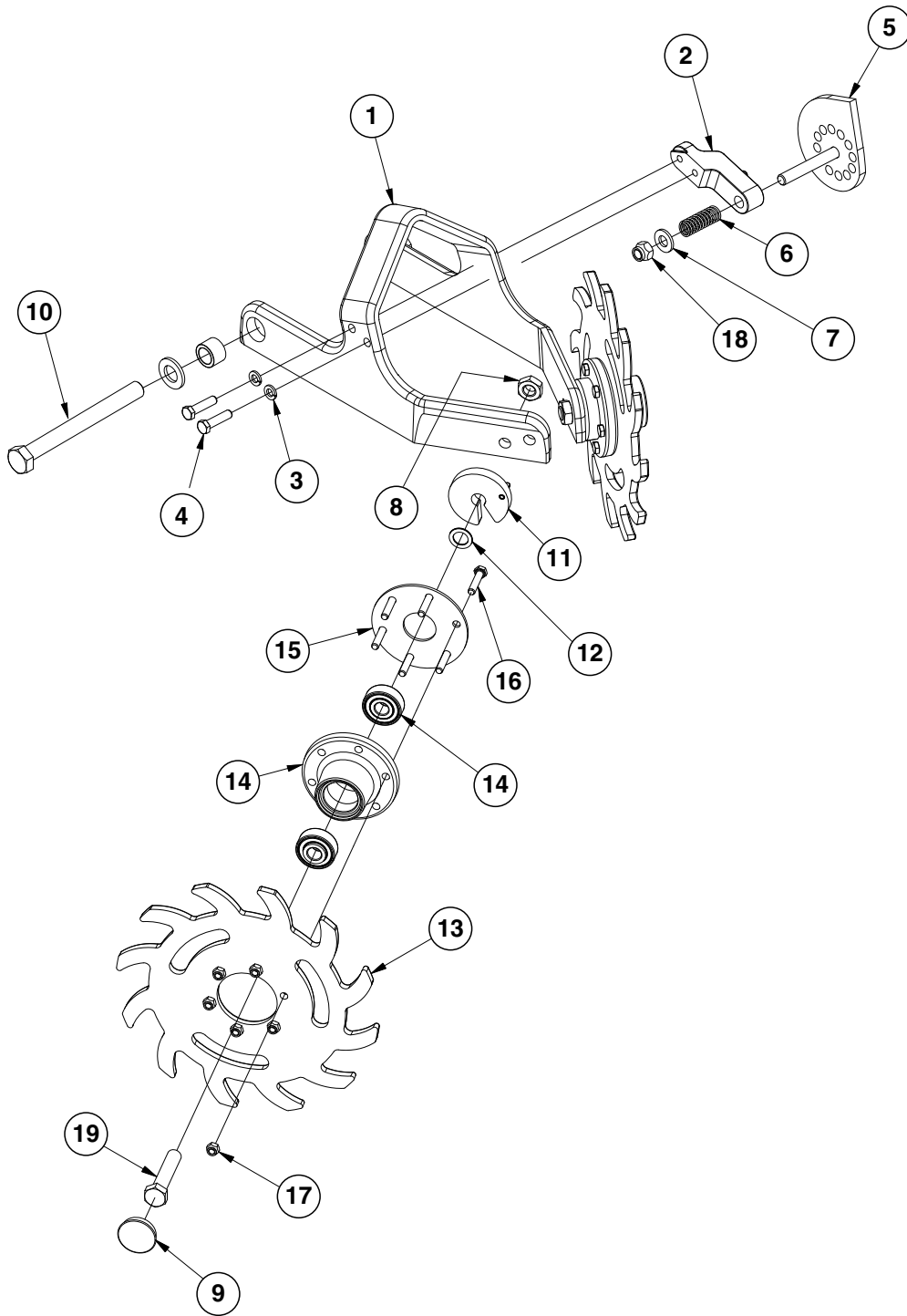
(IP1279)



ITEM	PART NO.	QTY. (Per Row)	DESCRIPTION
1	G10636	8	Carriage Bolt, 1/2"-13 x 1 1/2"
2	GA24239	1	Arm
3	G10111	8	Lock Nut, 1/2"-13
4	GD7803	1	Disc Blade, Fluted, 1", 8 Flutes (Shown)
	GD7804	-	Disc Blade, Bubbled, 1"
	GD9254	-	Disc Blade, Fluted, 3/4", 13 Flutes
	G10901301	-	Disc Blade, Fluted, 5/16", 25 Waves
5	GD11677	2	Adapter
6	GA8641	1	Hub W/Bearing And Retaining Ring (Includes items 7 and 8)
7	GA8603	1	Bearing, Double Row
8	GD19292	1	Retaining Ring (Square), 27/16"
9	G10036	1	Hex Head Cap Screw, 5/8"-11 x 4"
	G10107	1	Lock Nut, 5/8"-11

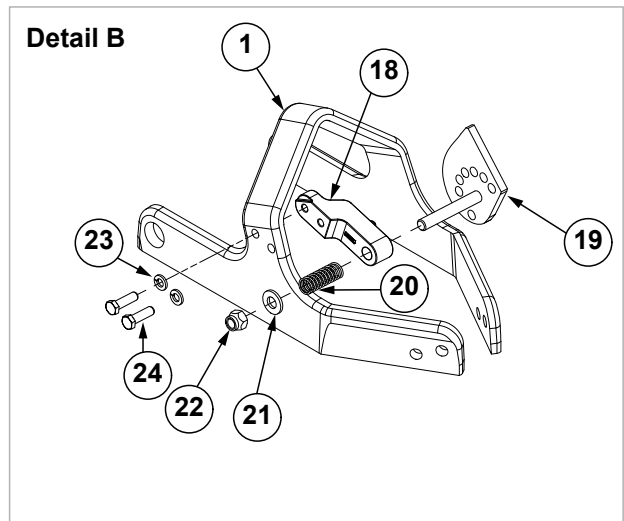
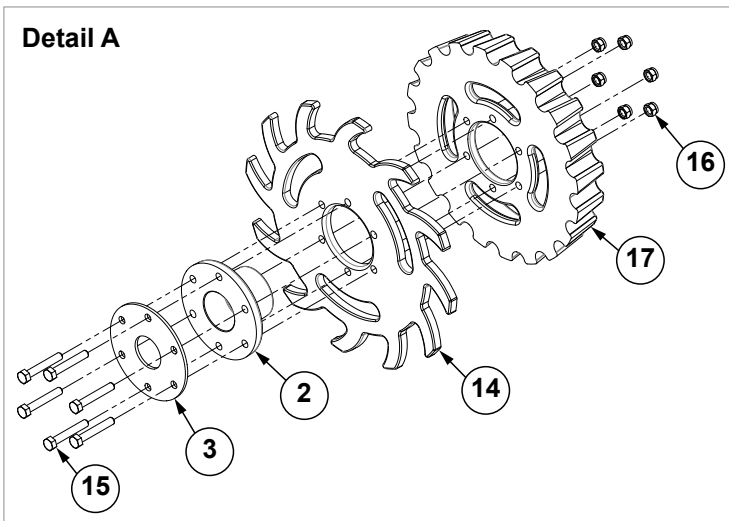
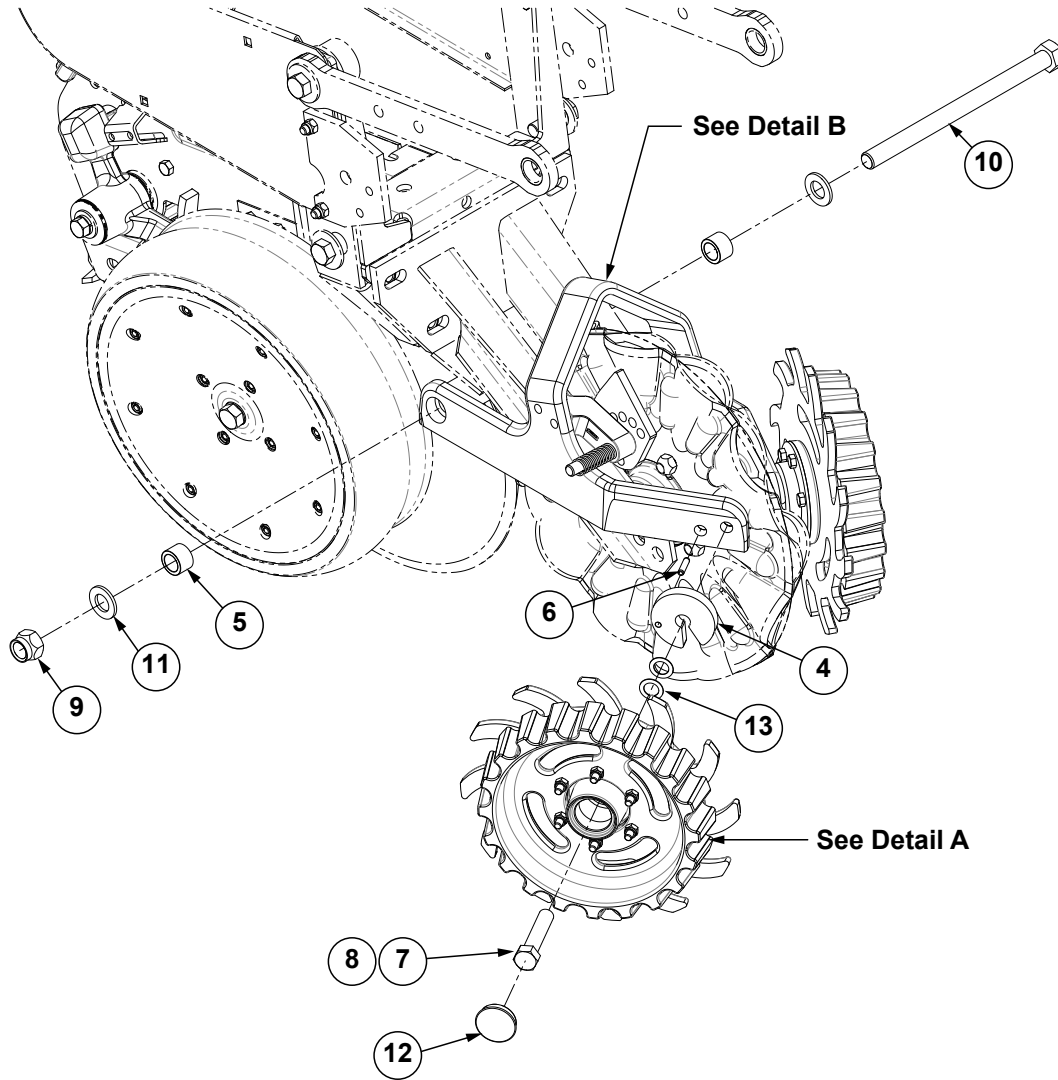
**This page left blank intentionally.**

(IP1468)



ITEM	PART NO.	QTY. (Per Row)	DESCRIPTION
1	GB0464	1	Residue Wheel Mount
2	GD26973	1	Cam Locking Pin
3	G10229	2	Lock Washer, 3/8"
4	G10004	2	Hex Head Cap Screw, 3/8"-16 x 1 1/4"
5	GA27038	1	Cam
6	GD10519	1	Spring
7	G11389	1	Flat Washer, 1/2" Plated SAE
8	G10503	2	Hex Jam Nut, 5/8"-11, Grade 2
9	GD1132	2	Dust Cap
10	G11236	1	Hex Head Cap Screw, 3/4"-10 x 10 1/2"
	G11392	2	Flat Washer, 3/4" SAE
	GB0383	2	Bushing, 1 1/8" O.D. x 25/32" I.D. x 3/4" Long
	G11228	1	Lock Nut, 3/4"-10
11	GA8760	2	Weed Guard W/Spring Pin
	G10765	-	Spring Pin, 1/4" x 1" (Included W/GA8760)
12	GD30725	4	Machine Bushing, 5/8" (.030" Thick)
13	GB0387	2	Wheel, 12 Tine, 3/8" x 12"
14	GA5654	2	Hub W/Bearings
	GA2014	-	Bearing (Included W/GA5654)
15	GD9724	2	Backing Plate
16	G10133	12	Hex Head Cap Screw, 5/16"-18 x 1 1/2"
17	G10109	12	Lock Nut, 5/16"-18, Grade 8
18	G10974	1	Lock Nut W/Nylon Insert, 1/2"-13
19	G10010	2	Hex Head Cap Screw, 5/8"-11 x 3"
A	GA12235	-	L.H. Residue Wheel (Items 13-17)
B	GA12236	-	R.H. Residue Wheel (Items 13-17)

(106531/106528/A19012)





ITEM	PART NO.	QTY. (Per Row)	DESCRIPTION
1	GB0464	1	Residue Wheel Mount
2	GA5654	2	Hub W/Bearings
	GA2014	-	Bearing (Included W/GA5654)
3	GD9724	1	Backing Plate
4	GD11784	2	Weed Guard
5	GB0383	2	Bushing, 1 1/8" O.D. x 25/32" I.D. x 3/4" Long
6	G10765	2	Spring Pin, 1/4" x 1"
7	G10010	2	Hex Head Cap Screw, 5/8"-11 x 3"
8	G10503	2	Hex Jam Nut, 5/8"-11, Grade 2
9	G11228	1	Lock Nut, 3/4"-10
10	G11236	1	Hex Head Cap Screw, 3/4"-10 x 10 1/2"
11	G11392	2	Flat Washer, 3/4" SAE
12	GD1132	2	Dust Cap
13	GD30725	4	Machine Bushing, 5/8" (.030" Thick)
14	GB0387	1	Wheel, 12 Tine, 3/8" x 12"
15	G10041	6	Hex Head Cap Screw, 5/16"-18 x 2"
16	G10109	6	Lock Nut, 5/16"-18, Grade 8
17	G10427101	1	Row Cleaner Floater
18	GD26973	1	Cam Locking Pin
19	GA27038	1	Cam
20	GD10519	1	Spring
21	G11389	1	Flat Washer, 1/2" Plated SAE
22	G10974	1	Lock Nut W/Nylon Insert, 1/2"-13
23	G10229	2	Lock Washer, 3/8"
24	G10004	2	Hex Head Cap Screw, 3/8"-16 x 1 1/4"
A	G10652801	1	L.H. Residue Wheel (Items 2-3 and 14-17)
B	G10652901	1	R.H. Residue Wheel (Items 2-3 and 14-17)

**This page left blank intentionally.**

**NOTE:** Push row units use the same seed tube, row unit depth adjustment components, quick adjustable down force springs, 15" opener disc blades, gauge wheels, closing wheels, meter drive and seed hopper as the pull row unit. See those pages for common parts.

[See "Shank Assembly, Seed Tube, and Depth Adjustment" on page P2](#)

[See "Parallel Arms, Mounting Support Plate, and Quick Adjustable Down Force Springs" on page P4](#)

[See "15" Seed Opener Disc Blade/Bearing Assembly and Scrapers" on page P6](#)

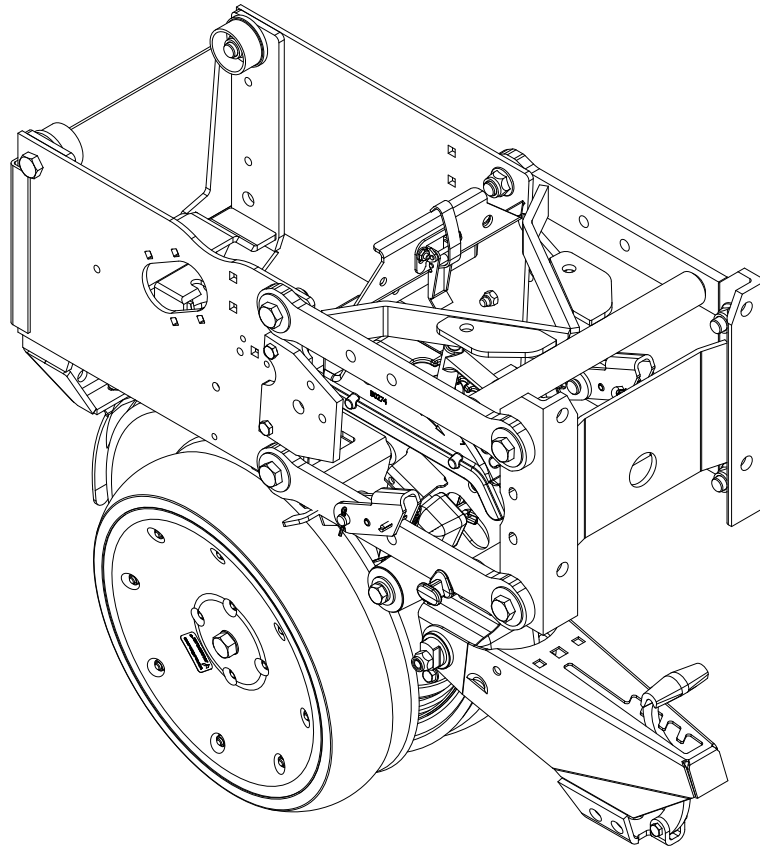
[See "Gauge Wheels" on page P8](#)

[See "V" Closing Wheels" on page P10](#)

[See "Hopper Support and Meter Drive" on page P12](#)

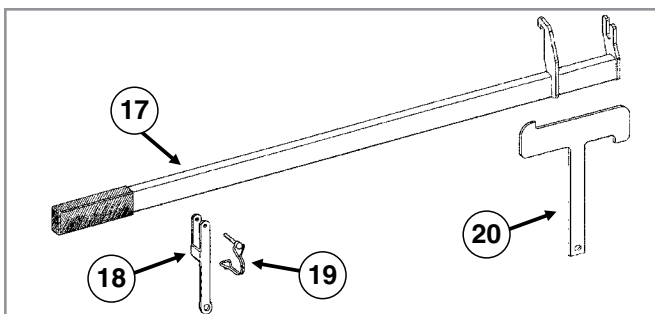
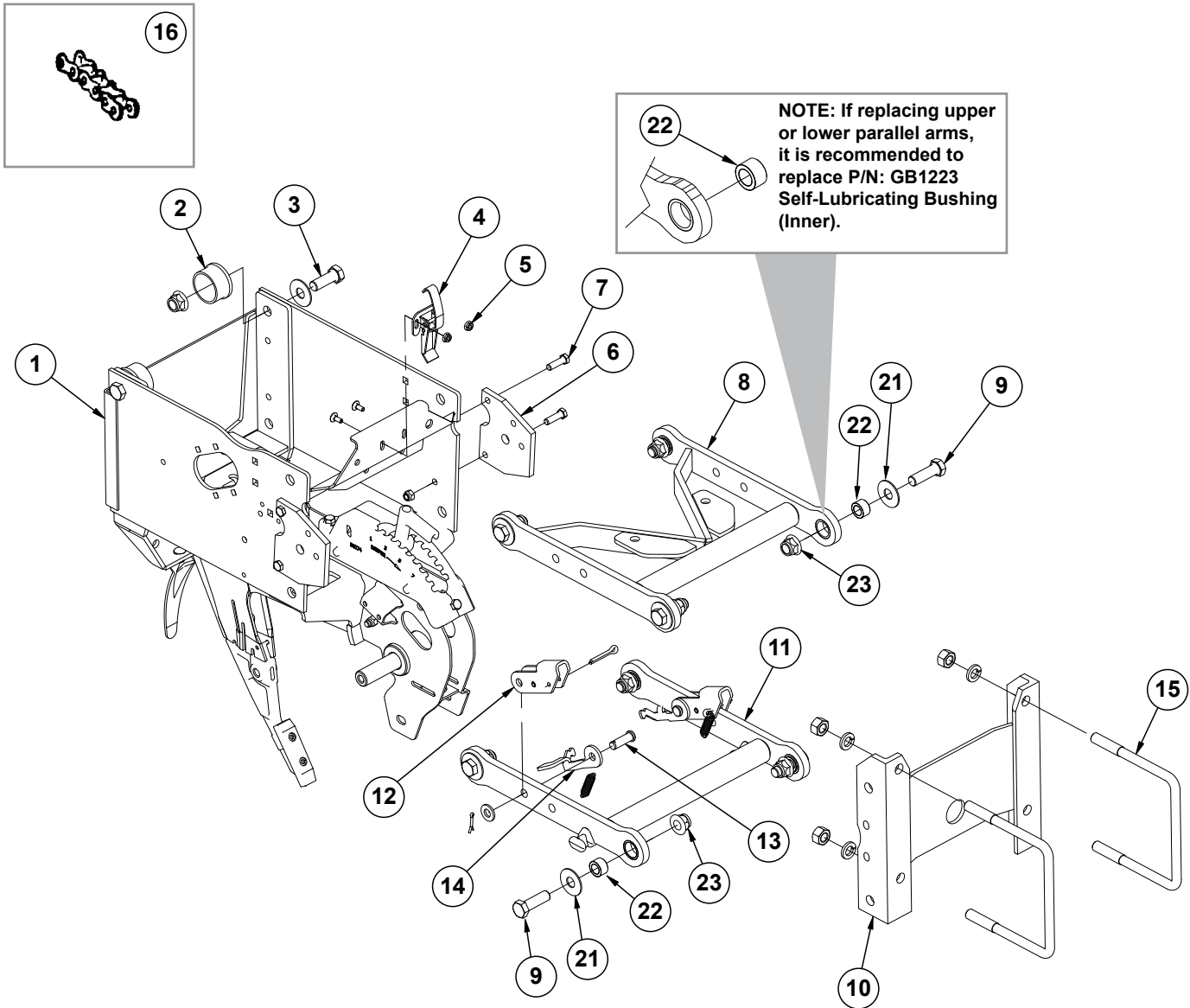
[See "Seed Hopper and Lid" on page P15](#)

**NOTE:** Row unit assembly does not include the following: seed meter assembly, seed tube assembly, row unit hopper assembly, closing wheels, or seed meter clutch.



ITEM	PART NO.	QTY.	DESCRIPTION
1	G10504X	1	Push Row Unit Assembly, Standard Gauge Wheel
2	G10985X	1	Push Row Unit Assembly, Spoked Gauge Wheel

**NOTE:** Push row units use the same seed tube, row unit depth adjustment components, quick adjustable down force springs, 15" opener disc blades, gauge wheels, closing wheels, meter drive and seed hopper as the pull row unit. See those pages for common parts.



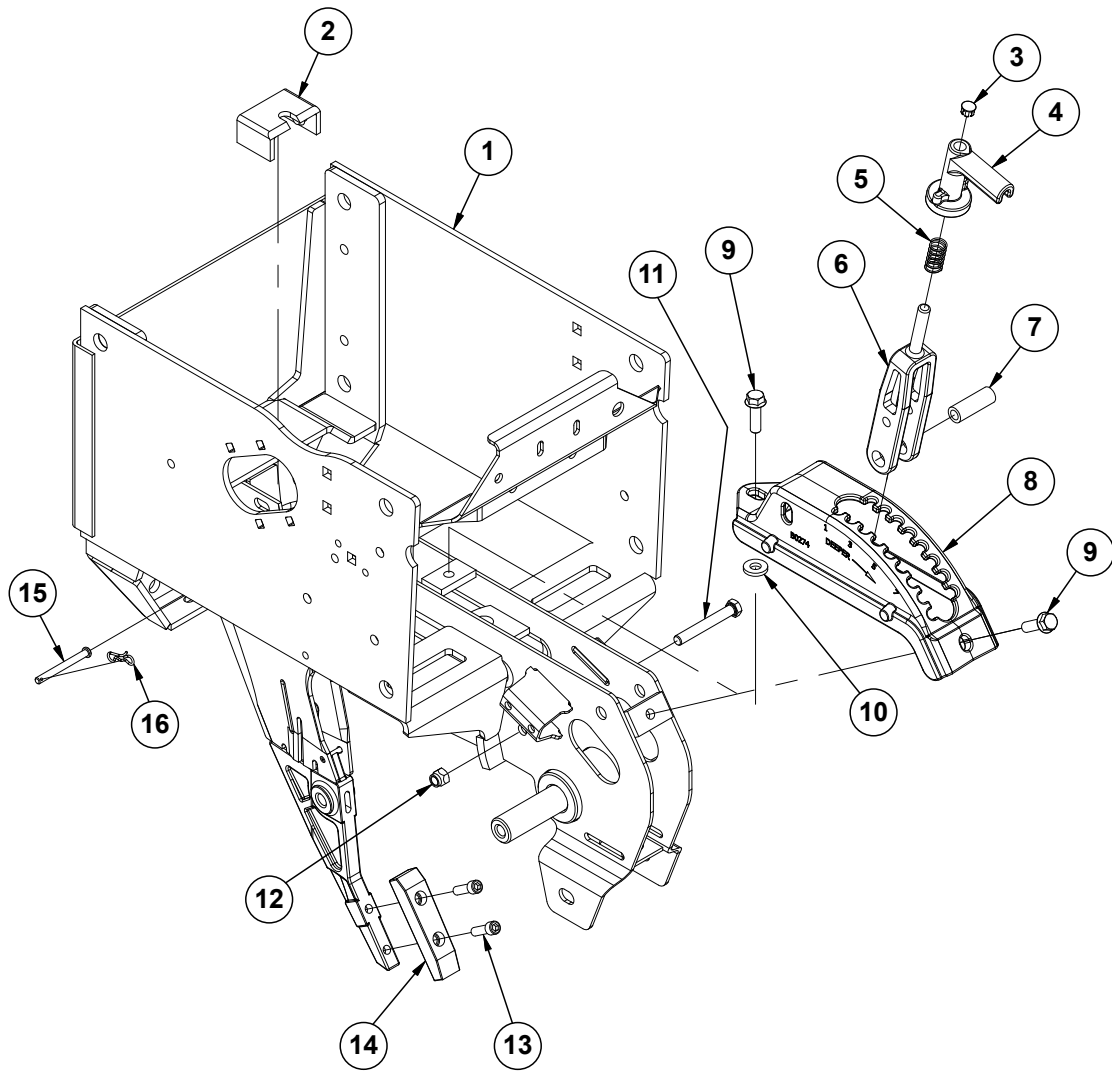
## Parallel Arms and Face Plate (Split Row)

Model 3005

M0298-02

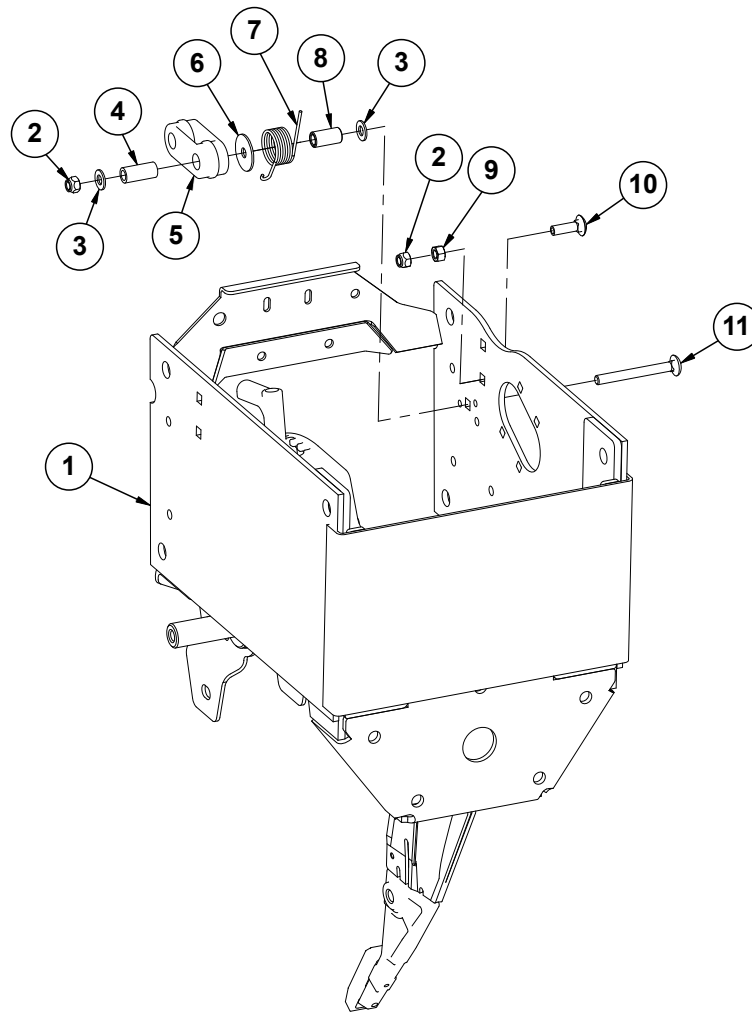
ITEM	PART NO.	QTY. (Per Row)	DESCRIPTION
1	---	1	<a href="#">See "Shank and Depth Adjustment (Split Row)" on page P34</a>
2	GB0314	2	Hopper Mount
3	G10751	2	Hex Head Cap Screw, 5/8"-18 x 1 3/4"
	G11514	2	Lock Nut, 5/8"-18
4	GA2007	1	Hopper Hold Down Latch
5	G10621	2	Serrated Flange Nut, 1/4"-20
	G10309	2	Carriage Bolt, 1/4"-20 x 5/8", Grade 5
6	GD24545	2	Row Unit Stop
7	G10004	4	Hex Head Cap Screw, 3/8"-16 x 1 1/4"
	G10108	4	Lock Nut, 3/8"-16
8	G10011301	1	Upper Parallel Arm Assembly
	GB1224	-	Self-Lubricating Bushing (Included W/G10011301)
9	G10732	4	Hex Head Cap Screw, 5/8"-18 x 2"
10	GA11971	1	Mounting Plate
11	G10011401	1	Lower Parallel Arm Assembly
	GB1224	-	Self-Lubricating Bushing (Included W/G10011301)
12	GD11264	1	Lockup
	G10718	2	Spring Pin, 5/16" x 1 1/2"
	G10463	2	Cotter Pin, 1/4" x 1 1/2"
	GD25569	2	Spring
13	G10284	2	Clevis Pin, 1/2" x 1 1/2"
	G11389	2	Flat Washer, 1/2" Plated SAE
	G10451	2	Cotter Pin, 1/8" x 1"
14	GD25568	1	Spring Mount Tab, L.H.
	GD29459	1	Spring Mount Tab, R.H.
15	GD1113	2	U-Bolt, 5" x 7" x 5/8"-11
	GD1114	4	U-Bolt, 7" x 7" x 5/8"-11
	G10230	4	Lock Washer, 5/8"
	G10104		Hex Nut, 5/8"-11
16	G3303-96	1	Chain, No. 41, 96 Pitch Including Connector Link
	GR0196	1	Connector Link, No. 41
17	GA24889	-	Lift Lever W/Boot
	GD11649		Boot (Included W/GA24889)
18	GD35471	1	Bracket (Lift Lever)
19	GD9695	1	Wire Lock Pin, 1/4" x 1 3/4"
20	GD35472	1	Mount
21	G11976	8	Flat Washer, 5/8" x 1 3/4"
22	GB1223	8	Self-Lubricating Bushing
23	G11514	8	Lock Nut, 5/8"-18
A	G1K534	-	Push Unit Lock-Up Kit, Items 6, and 12-14 (Includes GD24545 - Push Unit Stop)
B	G1K535	-	Push Unit Spring Lock-Up Kit, Items 12-14
C	G1K759	-	Push Row Unit Parallel Kit, Includes: (1) G10011301, (1) G10011401, (8) GB1223, (8) G11976, (2) G10732, (8) G11514, (6) G10751, (2) IS1066

(IP1585)



ITEM	PART NO.	QTY. (Per Row)	DESCRIPTION
1	GA26297	1	Push Row Unit Shank
2	GD16245	1	Sun Shade (Rubber)
3	GD3612	1	Cap Plug
4	GB0266	1	Handle, Depth Adjustment
5	GD10993	1	Spring
6	GB0267	1	Lever, Depth Adjustment
7	GD11259	1	Sleeve, $\frac{3}{8}$ " I.D. x $\frac{5}{8}$ " O.D. x $1\frac{25}{32}$ " Long
8	GB0274	1	Cover, Depth Adjustment
9	G11015	2	Hex Washer Head Cap Screw, $\frac{3}{8}$ "-16 x $1\frac{1}{4}$ "
10	G10207	1	Washer, $\frac{7}{8}$ " O.D. x $1\frac{3}{32}$ " I.D. x .134"
11	G11592	1	Hex Head Cap Screw, $\frac{3}{8}$ "-24 x $2\frac{3}{4}$ ", Grade 8
12	G11591	1	Nylon Lock Nut, $\frac{3}{8}$ "-24, Grade C
13	G10500901	2	Hex Socket Head Cap Screw, $\frac{5}{16}$ "-18 x 1"
14	G10038601	1	Scraper
15	G10551	1	Clevis Pin, $\frac{1}{4}$ " x $2\frac{1}{2}$ "
16	G10122301	1	Bow Tie Cotter Pin

(IP1586)

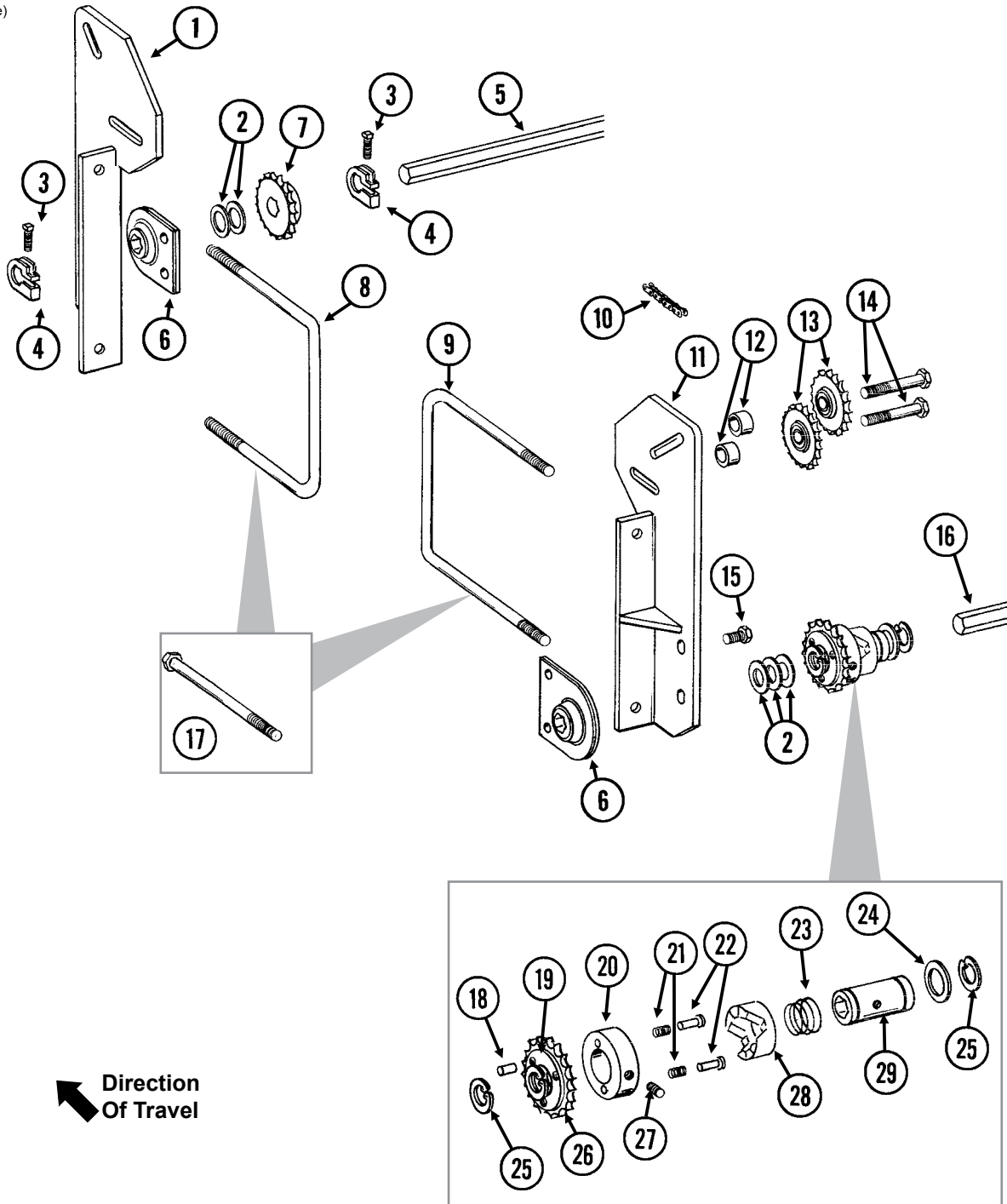


ITEM	PART NO.	QTY. (Per Row)	DESCRIPTION
1	---	1	<a href="#">See "Shank and Depth Adjustment (Split Row)" on page P34</a>
2	G10108	2	Lock Nut, 3/8"-16
3	G11387	2	Flat Washer, 3/8" SAE
4	GD8893-01	1	Sleeve, 1 3/8" Long
5	GB0968	1	Idler
6	G10201	1	Special Washer, 3/8" x 1 1/2" O.D.
7	GD11218	1	Spring
8	GD1026	1	Sleeve, 1 3/8" Long
9	G10101	1	Hex Nut, 3/8"-16
10	G10599	1	Carriage Bolt, 3/8"-16 x 1 1/4"
11	G10307	1	Carriage Bolt, 3/8"-16 x 3 1/2"

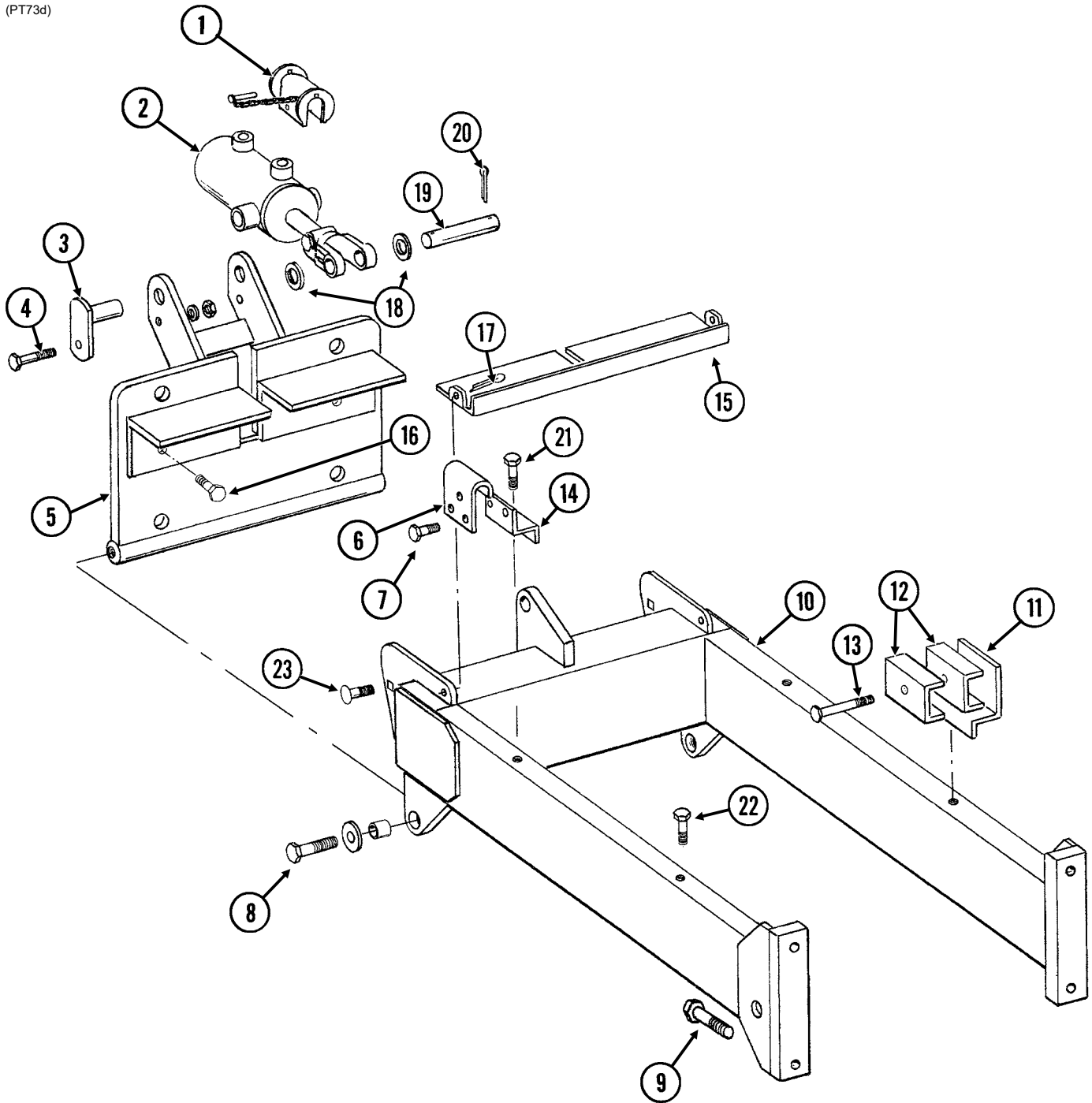


**This page left blank intentionally.**

PTD093(PT75e)



ITEM	PART NO.	QTY.	DESCRIPTION
1	GA8717	1	Front Mount
2	G10233	5	Machine Bushing, 1", 10 Gauge
3	G10130	2	Square Head Machine Bolt, 5/16"-18 x 1 3/4"
	G10923	2	Flange Nut, 5/16"-18, No Serration
4	GD11045	2	Lock Clamp
5	GD0914-84	1	Hex Shaft, 7/8" x 84" (No Holes), 4 Row 30"
	GD0914-144	-	Hex Shaft, 7/8" x 144" (No Holes), 6 Row 30"
	GD0914-205	-	Hex Shaft, 7/8" x 205" (No Holes), 8 Row 30"
6	GA2180	2	Hanger Bearing, 7/8" Hex Bore
7	GA5107	1	Sprocket, 19 Tooth
8	GD11721	1	U-Bolt, 5" x 7" x 1/2"-13 (Double Frame Planters)
	G10228	2	Lock Washer, 1/2"
	G10102	2	Hex Nut, 1/2"-13
9	GD7145	1	U-Bolt, 7" x 7" x 1/2"-13 (Double Frame Planters)
	G10228	2	Lock Washer, 1/2"
	G10102	2	Hex Nut, 1/2"-13
10	G3310-138	1	Chain, No. 40, 138 Pitch Including Connector Link (Single Frame Planters)
	G3310-252	-	Chain, No. 40, 252 Pitch Including Connector Link (Double Frame Planters)
	GR0912	-	Connector Link, No. 40
11	GA8716	1	Rear Mount
12	GD9229	4	Spacer, 1 1/4" O.D. x 1/2" Long
13	GA7154	4	Sprocket W/Bearing, 18 Tooth
14	G10581	4	Hex Head Cap Screw, 1/2"-13 x 2 1/4"
	G10168	4	Machine Bushing, 1/2", 7 Gauge
	G10228	4	Lock Washer, 1/2"
	G10102	4	Hex Nut, 1/2"-13
15	G10001	-	Hex Head Cap Screw, 3/8"-16 x 1"
	G10229	-	Lock Washer, 3/8"
	G10101	-	Hex Nut, 3/8"-16
16	---	-	<a href="#">See "Driveline, 4 Row 30" on page P52</a> <a href="#">See "Driveline, 6 Row 30" and 8 Row 30" on page P53</a>
17	G10909	2	Hex Head Cap Screw, 1/2"-13 x 9" (Single Frame Planters)
	G10228	2	Lock Washer, 1/2"
	G10102	2	Hex Nut, 1/2"-13
18	G10968	1	Spring Pin, 5/32" x 7/16"
19	GR1406	1	Bushing
20	GR1405	1	Lock Collar
21	GR1413	2	Spring
22	GR1410	2	Pin
23	GR1408	1	Compression Spring
24	GR1411	1	Shim
25	G10496	2	External Inverted Snap Ring, 1 1/2"
26	GR1412	1	Sprocket, 19 Tooth
27	G10535	1	Hex Socket Set Screw, 3/8"-16 x 3/4"
28	GR1409	1	Knurled Collar
29	GR1407	1	Drive Shaft
A	GA8092	-	Clutch Sprocket Assembly, 19 Tooth (Items 18-29)
B	GA11331	-	Hex Lock Clamp Assembly (Items 3 and 4)
C	G1K331	-	Clutch Sprocket Kit (Items 18, 19 and 26)



## Split Row Self-Leveling Hitch Extension

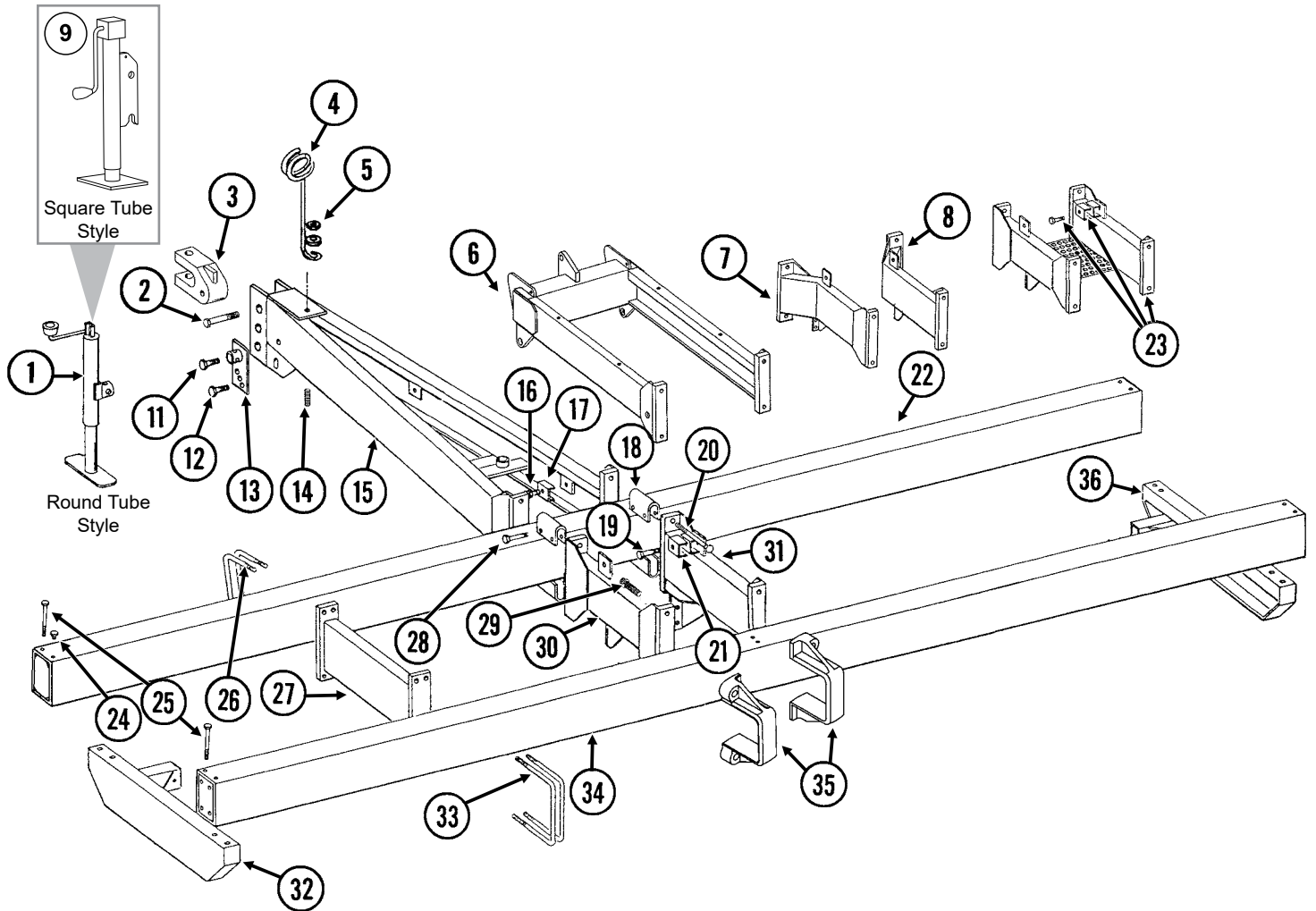
Model 3005

M0298-02

ITEM	PART NO.	QTY.	DESCRIPTION
1	GA9872	1	Lockup W/Pin
2	---	-	<a href="#">See "Split Row Lift Cylinder" on page P70</a>
3	GA6761	2	Pin
4	G10581	2	Hex Head Cap Screw, 1/2"-13 x 2 1/4"
	G11389	2	Flat Washer, 1/2" SAE
	G10111	2	Lock Nut, 1/2"-13
5	GA8487	1	Hinge
6	GD7944	1	Mount
7	G10001	2	Hex Head Cap Screw, 3/8"-16 x 1"
	G10229	2	Lock Washer, 3/8"
	G10101	2	Hex Nut, 3/8"-16
8	G10645	2	Hex Head Cap Screw, 1"-8 x 3", Grade 8
	G11394	2	Flat Washer, 1" SAE
	GD11535	2	Bushing, 1 1/2" O.D.
9	---	-	<a href="#">See "Hitch and Frame Assembly/Safety Chain" on page P43</a>
10	GA8488	1	Hitch Extension W/Grease Fittings, 4 Row 30", 6 Row 30" and 8 Row 30"
	G10640	-	Grease Fitting, 1/4"-28 (Included W/GA8488)
11	GD11657	2	Mount
12	GD6027	4	Hose Clamp, 3/4" x 2 1/2" x 2 1/2"
13	G10325	2	Hex Head Cap Screw, 3/8"-16 x 2 3/4"
	G10108	2	Lock Nut, 3/8"-16
14	GD11662	1	Mounting Bracket
15	GA8676	1	Shield
16	G10428	2	Hex Head Cap Screw, 5/8"-11 x 3/4"
17	G10451	2	Cotter Pin, 1/8" x 1"
18	G11396	2	Flat Washer, 1 1/4" SAE
19	GD11559	1	Pin, 1 1/4" x 4 7/8"
20	G10460	2	Cotter Pin, 1/4" x 2"
21	G10001	3	Hex Head Cap Screw, 3/8"-16 x 1"
	G10229	3	Lock Washer, 3/8"
	G11387	3	Flat Washer, 3/8" SAE
22	G10001	1	Hex Head Cap Screw, 3/8"-16 x 1"
23	G10574	2	Carriage Bolt, 1/2"-13 x 1 1/4"
	G11389	2	Flat Washer, 1/2" SAE
	G10111	2	Lock Nut, 1/2"-13

**This page left blank intentionally.**

(A13595/PT1j)



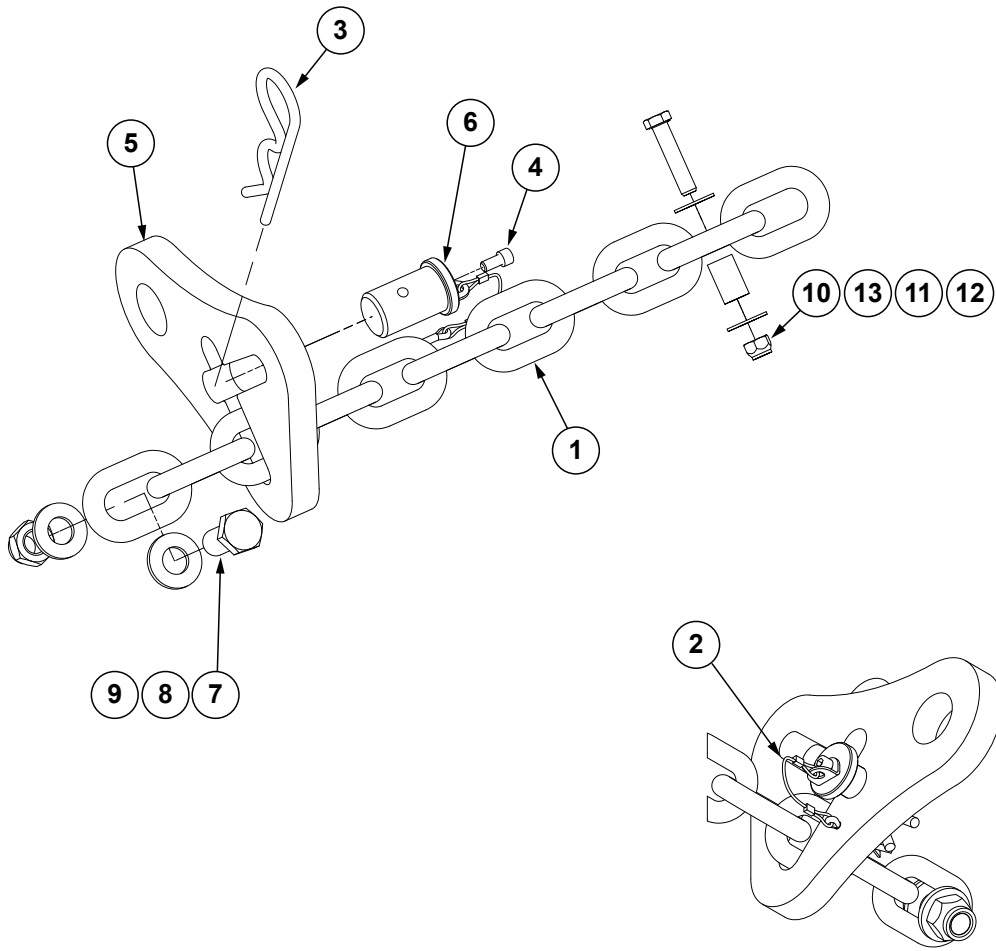
ITEM	PART NO.	QTY.	DESCRIPTION
1	G4100-02 GR0255	1 -	Jack Assembly (Round Tube Style) Repair Kit (Chain and Pin)
2	G10169 G10157	1 1	Hex Head Cap Screw, 1 1/4"-7 x 6" Lock Nut, 1 1/4"-7
3	GB0156	1	Clevis
4	GD7140	1	Hose Holder
5	G10348 G11389 G10228 G10102	1 1 1 1	Hex Head Cap Screw, 1/2"-13 x 5" Flat Washer, 1/2" SAE Lock Washer, 1/2" Hex Nut, 1/2"-13
6	---	-	<a href="#">See "Split Row Self-Leveling Hitch Extension" on page P40</a>
7	GA9429	-	Center Extension, L.H., Offset, 24"
8	GA9428	-	Center Extension, R.H., Offset, 24"
9	G11043701 G11043801 G11043901	- - -	Jack Assembly Complete (Square Tube Style) Top Wind Handle (Included W/G11043701) Bearing (Included W/G11043701)

ITEM	PART NO.	QTY.	DESCRIPTION
10	---	-	---
11	G10005	1	Hex Head Cap Screw, 5/8"-11 x 1 3/4"
	G10107	1	Lock Nut, 5/8"-11
12	G10017	1	Hex Head Cap Screw, 1/2"-13 x 1 1/2"
	G11389	1	Washer, 1/2" SAE
	G10111	1	Lock Nut, 1/2"-13
13	GA7909	1	Jack Adjustment Bracket
14	GD5888	1	Spring
15	GA8670	1	Hitch
16	G10048	2	Hex Head Cap Screw, 3/8"-16 x 2"
	G10108	2	Lock Nut, 3/8"-16
17	GD5875	2	Hose Clamp
18	GA5197	-	Spacer
19	G10048	-	Hex Head Cap Screw, 3/8"-16 x 2"
	G10108	-	Lock Nut, 3/8"-16
20	G10993	4	Hex Head Cap Screw, 1"-8 x 8 1/2", Grade 8
	G10647	4	Hex Nut, 1"-8, Grade 8
21	GD6027	-	Hose Clamp, 3/4" x 2 1/2" x 2 1/2"
22	A8011	1	Double Frame Toolbar, 7" x 5" x 120", 4 Row 30" <b>(Non-Stock Item)</b>
	A8013	-	Double Frame Toolbar, 7" x 5" x 180", 6 Row 30" <b>(Non-Stock Item)</b>
	A8015	-	Double Frame Toolbar, 7" x 5" x 240", 8 Row 30" <b>(Non-Stock Item)</b>
23	GA9007	-	Hitch Extension W/Hose Clamps and Hardware
	GD6027	-	Hose Clamp, 3/4" x 2 1/2" x 2 1/2" (Included W/GA9007)
	G10048	-	Hex Head Cap Screw, 3/8"-16 x 2" (Included W/GA9007)
	G10108	-	Lock Nut, 3/8"-16 (Included W/GA9007)
24	G10903	-	Cap Plug
25	G10895	8	Hex Head Cap Screw, 3/4"-10 x 8 1/2"
	G10112	8	Lock Nut, 3/4"-10
26	GD1113	-	U-Bolt, 5" x 7" x 5/8"-11
	G10230	-	Lock Washer, 5/8"
	G10104	-	Hex Nut, 5/8"-11
27	GA4265	-	Straight Extension
28	G10061	4	Hex Head Cap Screw, 3/8"-16 x 3 1/2"
	G11387	4	Flat Washer, 3/8" SAE
	G10108	4	Lock Nut, 3/8"-16
29	G11085	4	Flanged Cap Screw, 12 Point, 1"-14 x 3"
30	GA9427	-	Hitch/Center Extension, L.H., Straight, 24"
31	GA9426	-	Hitch/Center Extension, R.H., Straight, 24"
32	GA9439	-	End Extension, L.H.
33	GD1114	-	U-Bolt, 7" x 7" x 5/8"-11
	G10230	-	Lock Washer, 5/8"
	G10104	-	Hex Nut, 5/8"-11
34	A8016	1	Toolbar, 7" x 7" x 120", 4 Row 30" <b>(Non-Stock Item)</b>
	A8018	-	Toolbar, 7" x 7" x 180", 6 Row 30" <b>(Non-Stock Item)</b>
	A8020	-	Toolbar, 7" x 7" x 240", 8 Row 30" <b>(Non-Stock Item)</b>
35	GD29221	2	Hitch Clamp
36	GA9438	-	End Extension, R.H.



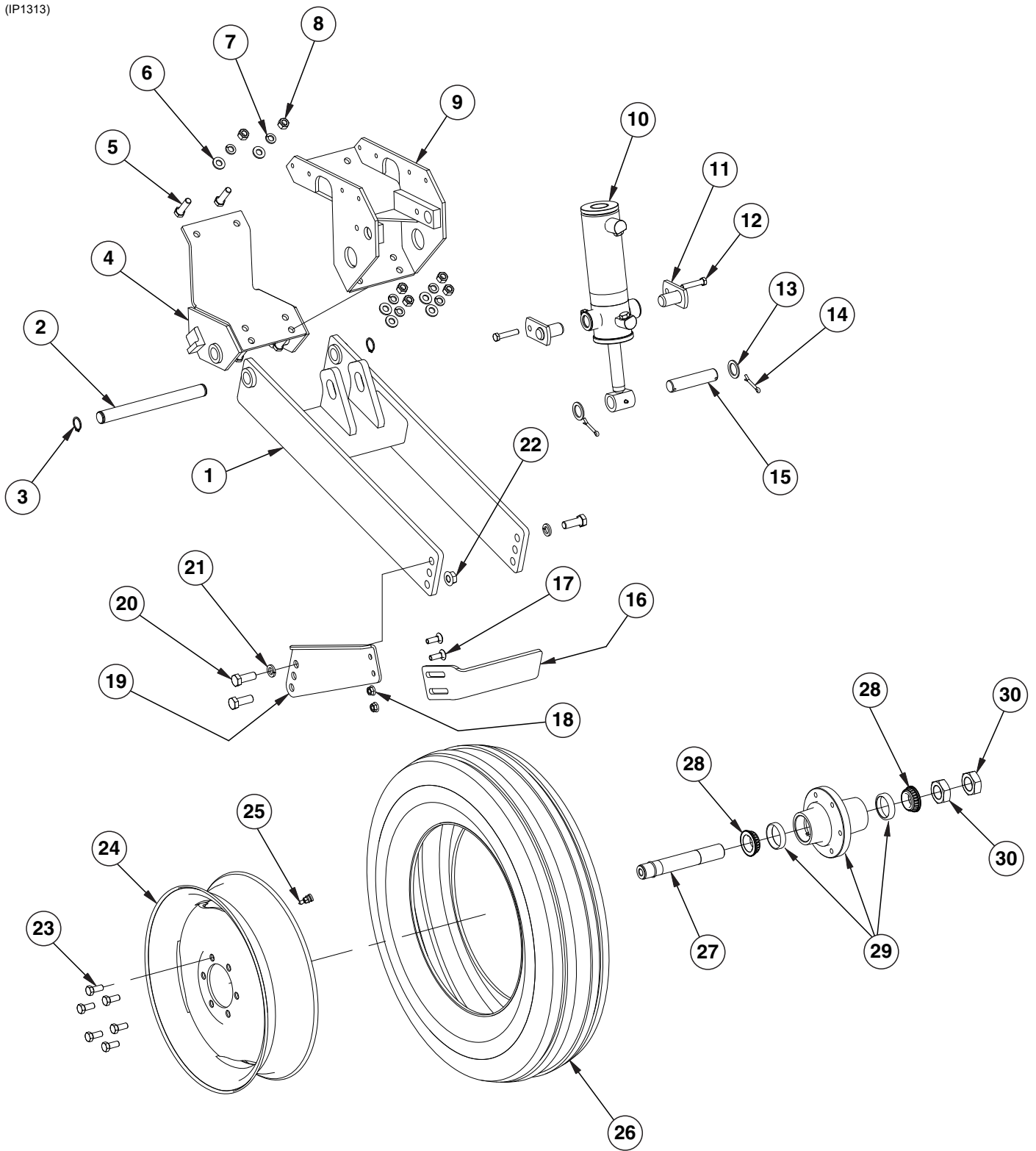
**This page left blank intentionally.**

(PT2)



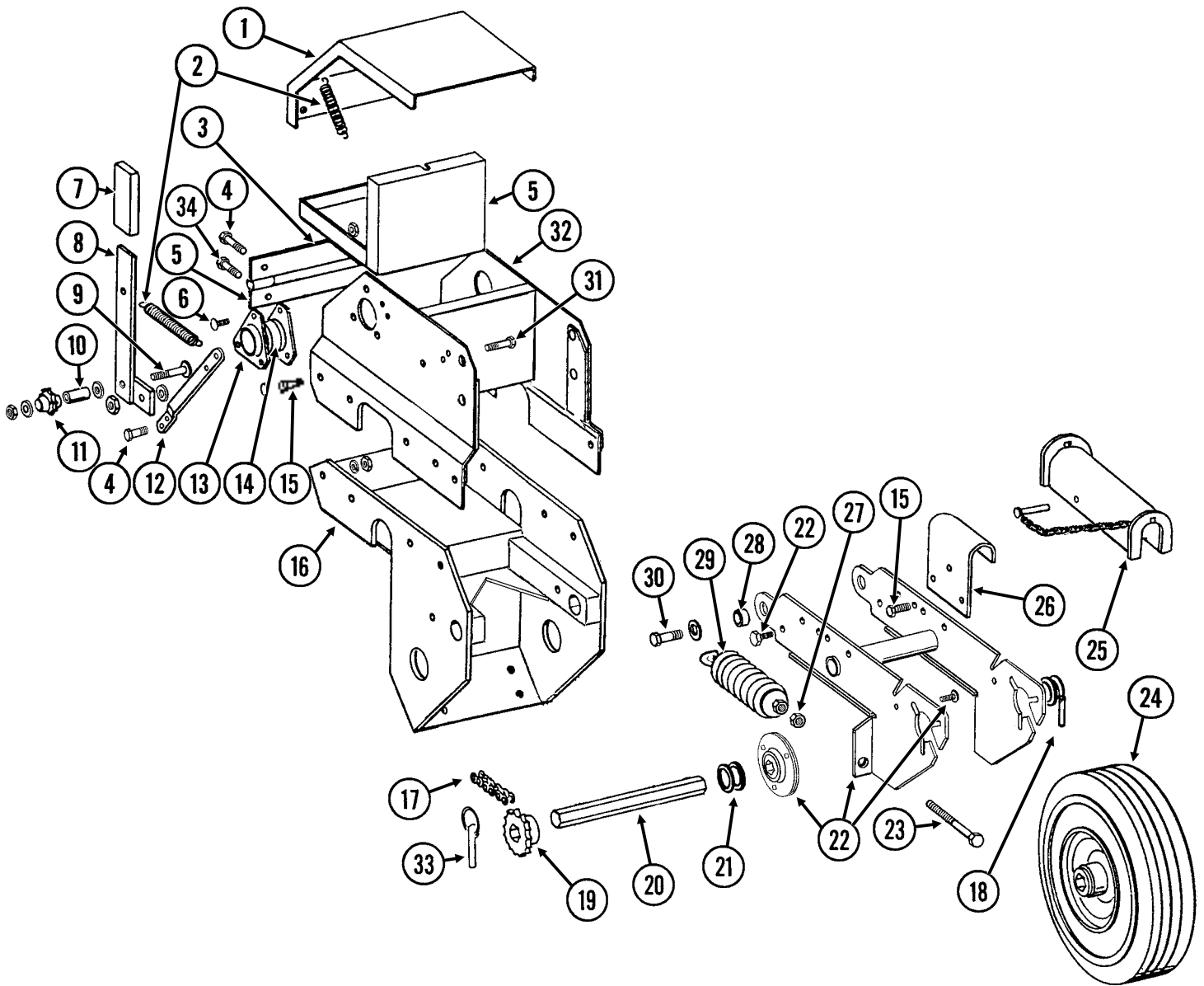
ITEM	PART NO.	QTY.	DESCRIPTION
1	G3324-01	1	Safety Chain, 13MM Grade 70, 97½"
2	GD35339	1	Looped Tether W/Tabs and Cotter Pin
3	G10671	1	Hairpin Cotter, ⅜" x 3¼"
4	G11874	1	Hex Socket Head Cap Screw, ¼"-20 x ½"
5	GD35127	1	Single Chain Latch
6	GD35340	1	Chain Latch Pin
7	G10007	1	Hex Head Cap Screw, ⅝"-11 x 1½"
8	G11391	2	Flat Washer, ⅝" SAE
9	G10107	1	Lock Nut, ⅝"-11
10	G10108	1	Lock Nut, ⅝"-16
11	GD8893-07	1	Sleeve, 1" Long
12	G10047	1	Hex Head Cap Screw, ⅜"-16 x 1¾"
13	G10210	2	Washer, ⅜" USS
A	G9948X	-	⅜" Transport Safety Chain Package (Items 1-13)

(IP1313)



ITEM	PART NO.	QTY. (Per Assy.)	DESCRIPTION
1	GA14349	1	Wheel Module
2	GD20461	1	Pin, 1¼" x 13"
3	G11400	2	Retaining Ring, 1¼"
4	GA14348	1	Lower Half Clamp
5	G10006	6	Hex Head Cap Screw, ⅝"-11 x 2¼"
6	G11391	6	Flat Washer, ⅝" SAE
7	G10230	6	Lock Washer, ⅝"
8	G10104	6	Hex Nut, ⅝"-11
9	GA5122	1	Wheel Tower Clamp
10	---	1	<a href="#">See "Master Lift Cylinder" on page P65</a> <a href="#">See "Contact Wheel and Arm Assembly" on page P50</a>
11	GA5121	2	Pin, 2⅝"
12	G10053	2	Hex Head Cap Screw, ½"-13 x 2 ½"
	G10111	2	Lock Nut, ½"-13
13	G10159	4	Washer, 1⅞"
14	G10460	2	Cotter Pin, ¼" x 2"
15	GD5841	1	Pin, 1¼" x 5⅝"
16	GD34178	1	Slotted Scrapper
17	G10636	2	Carriage Bolt, ½"-13 x 1½"
18	G10071	2	Serrated Flange Nut, ½"-13
19	GD20456	1	Short Scrapper Arm
20	G10026	3	Hex Head Cap Screw, ¾"-10 x 2"
21	G10231	2	Lock Washer, ¾"
22	G11314	1	Serrated Flange Nut, ¾"-10
23	GR0270	6	Lug Bolt, ⅞"-18
24	GA14413	1	Rim, 5.50" x 20"
25	GA7434	1	Valve Stem
26	GD13401	1	Tire, 7.50" x 20", 8 Ply, Tubeless W/O Center Rib (Specify Brand*)
27	GA4376	1	Spindle Assembly
	GD11490	1	Round External Retaining Ring (Included W/GA4376)
	GD11458	1	Spindle (Included W/GA4376)
28	GA24825	2	Bearing
29	GA24826	1	Hub W/Cups, 6 Bolt
	GR0434	2	Cup (Included W/GA24826)
30	G11081	2	Hex Jam Nut, 1½"-12, Grade 2
A	GA24828	1	Hub and Spindle Assembly (Items 27-30)
C	GA14412	1	Tire and Rim Assembly (Items 24-26) (Specify Brand*)

\* Specific brand requests will be supplied only as available from current Kinze Repair Parts stock. If a specific brand requested is not in stock, the brand available will be supplied.



ITEM	PART NO.	QTY. (Per Assy.)	DESCRIPTION
1	GD5791	1	Cover
	G10860	-	Retaining Ring, 3/8"
	G10870	-	Clevis Pin, 3/8" x 1"
2	GD5857	2	Spring
3	GA13790	1	Slip Joint Assembly
5	GD5789	1	Hinge W/Pins, Female (Included W/GA13790)
	GD5790	1	Hinge W/Pins, Male (Included W/GA13790)
4	G10064	4	Hex Head Cap Screw, 1/4"-20 x 1"
	G10621	4	Serrated Flange Nut, 1/4"-20
5	GA7235	1	Tool Box Insert
6	G10303	-	Carriage Bolt, 5/16"-18 x 1"
	G11386	-	Washer, 5/16" SAE (As Required)
	G10620	-	Serrated Flange Nut, 5/16"-18
7	GD5827	1	Cover

## Contact Wheel and Arm Assembly

Model 3005

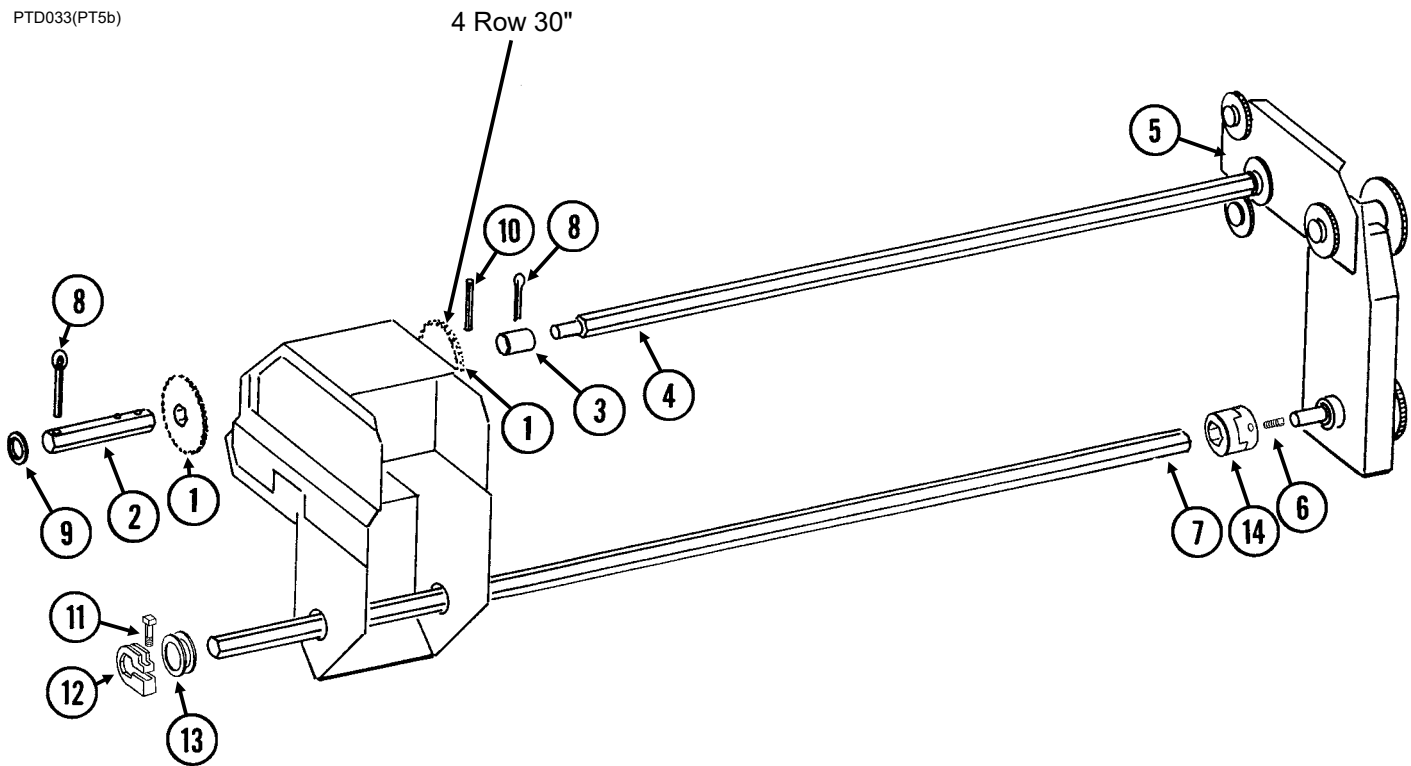
M0298-02

ITEM	PART NO.	QTY. (Per Assy.)	DESCRIPTION
8	GA5157	1	Idler Arm, L.H.
	GA5158	-	Idler Arm, R.H.
9	G10306	1	Carriage Bolt, 3/8"-16 x 2"
	G11387	-	Flat Washer, 3/8" SAE (As Required)
	G10108	1	Lock Nut, 3/8"-16
10	GD1026	1	Sleeve, 1 3/16" Long
11	GD7426	1	Sprocket, 12 Tooth
12	GD5860	1	Bar
13	G3400-01	-	Flangette
14	G2100-03	-	Bearing, 7/8" Hex Bore, Spherical
15	G10004	8	Hex Head Cap Screw, 3/8"-16 x 1 1/4"
	G10622	8	Serrated Flange Nut, 3/8"-16
16	---	-	<a href="#">See "Transport and Ground Drive Wheel Assembly" on page P48</a>
17	G3310-132	1	Chain, No. 40, 132 Pitch Including Connector Link
	GR0912	-	Connector Link, No. 40
18	G10602	1	Spring Pin, 1/4" x 1 1/2"
19	GA5105	1	Sprocket, 15 Tooth
20	GD6825-10.5	1	Hex Shaft, 7/8" x 10 1/2" (2 Holes)
21	G10233	6	Machine Bushing, 1", 10 Gauge
22	A7370	1	Arm W/Flanged Bearings and Hardware <b>(Non-Stock Item) (Sub G1K253)</b>
	G10303	6	Carriage Bolt, 5/16"-18 x 1" (Included W/A7370)
	G10620	6	Serrated Flange Nut, 5/16"-18 (Included W/A7370)
	GA9846	2	Flanged Bearing, 7/8" Hex Bore (Included W/A7370)
	G10055	2	Hex Head Cap Screw, 5/8"-11 x 1 1/4" (Stop Bolt) (Included W/A7370)
	G10107	2	Lock Nut, 5/8"-11 (Included W/A7370)
23	G11232	2	Hex Head Cap Screw, 1/2"-13 x 4", Grade 5
24	GA5090	1	Tire and Rim Assembly (Specify Brand*)
	GD5753	-	Tire, 4.10" x 6" (Specify Brand*) (Included W/GA5090)
	GD5752	-	Inner Tube (Included W/GA5090)
25	GA9870	-	Lockup W/Pin
	G10874	-	Detent Pin, 1/2" x 3 1/2" Grip (Included W/GA9870)
26	GD7944	1	Mount
27	G10501	2	Hex Jam Nut, 1/2"-13, Grade 2
28	GB0218	2	Bushing, 2 1/32" I.D. x 7/8" O.D. x 1 9/32" Long
29	GA2068	2	Spring W/Plug
30	G10005	2	Hex Head Cap Screw, 5/8"-11 x 1 3/4"
	G10235	6	Machine Bushing, 7/8", 14 Gauge
	G11391	2	Flat Washer, 5/8" SAE
	G10107	2	Lock Nut, 5/8"-11
31	G10004	1	Hex Head Cap Screw, 3/8"-16 x 1 1/4"
	G10229	1	Lock Washer, 3/8"
	G10370	1-2	Machine Bushing, 3/8", 22 Gauge
	GD5756	1	Special Nut, 3/8"-16
32	GA5118	1	Mount
33	GD2558	1	Lynch Pin, 1/4"
34	G10064	2	Hex Head Cap Screw, 1/4"-20 x 1"
	G11385	2	Flat Washer, 1/4" SAE
	G10227	2	Lock Washer, 1/4"
	G10103	2	Hex Nut, 1/4"-20

A G1K253 - Contact Wheel Arm Replacement Kit, (Items 18, 20, 22, 23 and 27)

\* Specific brand requests will be supplied only as available from current Kinze Repair Parts stock. If a specific brand requested is not in stock, the brand available will be supplied. Different brand tires may have different diameters. Change in tire brand may affect rates. Field checks are recommended after any change in contact tires.

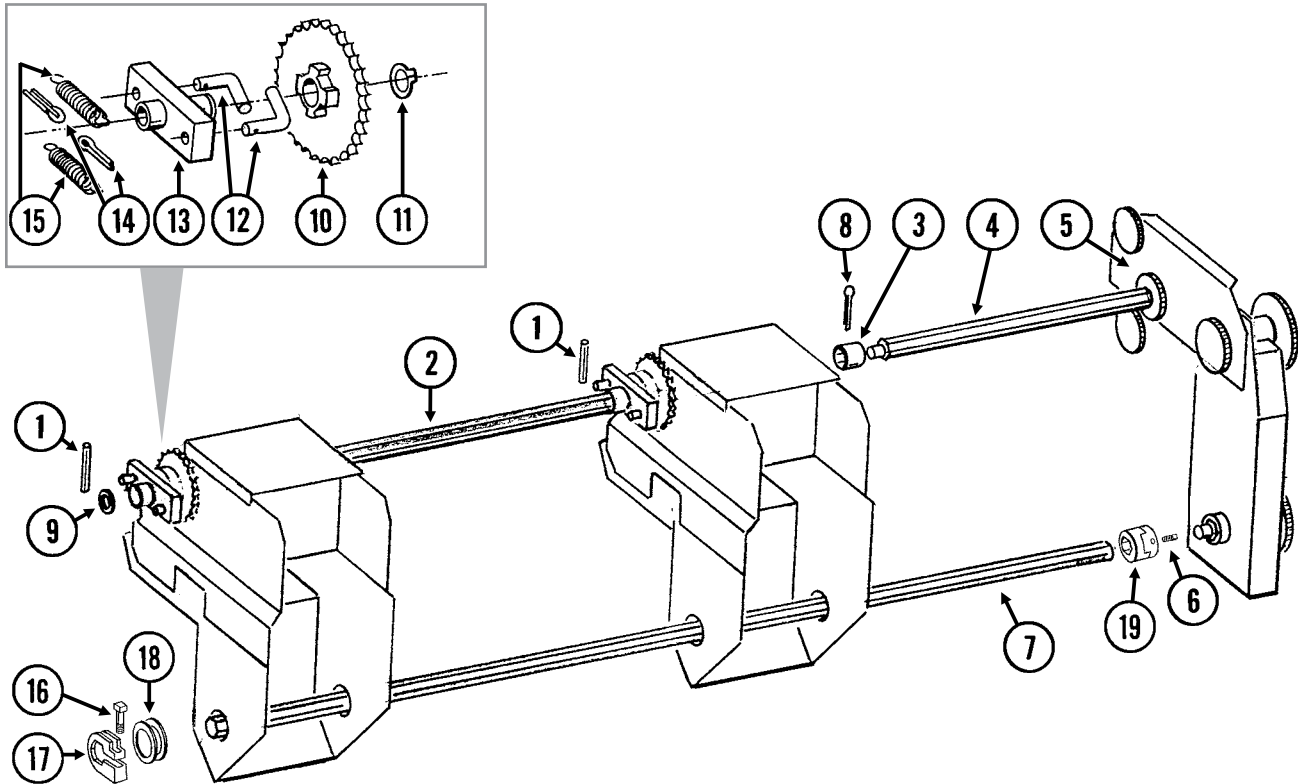
PTD033(PT5b)



ITEM	PART NO.	QTY.	DESCRIPTION
1	GA5114	1	Sprocket, 30 Tooth
2	GD7819	1	Hex Shaft, 7/8" x 15 1/4" (3 Holes), 4 Row 30"
3	GD5961	1	Coupler, 2 1/4"
4	GD5885-02	1	Hex Shaft, 7/8" x 19" (6 Holes), 4 Row 30"
5	---	-	<a href="#">See "Seed Rate Transmission Assembly" on page P54</a>
6	G10131	4	Square Head Set Screw, 5/16"-18 x 3/4"
7	GD0914-109	1	Hex Shaft, 7/8" x 109" (No Holes), 4 Row 30"
8	G10460	2	Cotter Pin, 1/4" x 2"
9	G10233	-	Machine Bushing, 1", 10 Gauge (As Required)
10	G10602	1	Spring Pin, 1/4" x 1 1/2"
11	G10130	1	Square Head Machine Bolt, 5/16"-18 x 1 3/4"
12	GD11045	1	Lock Clamp
13	G10233	2	Machine Bushing, 1", 10 Gauge
14	GB0287	2	Coupler

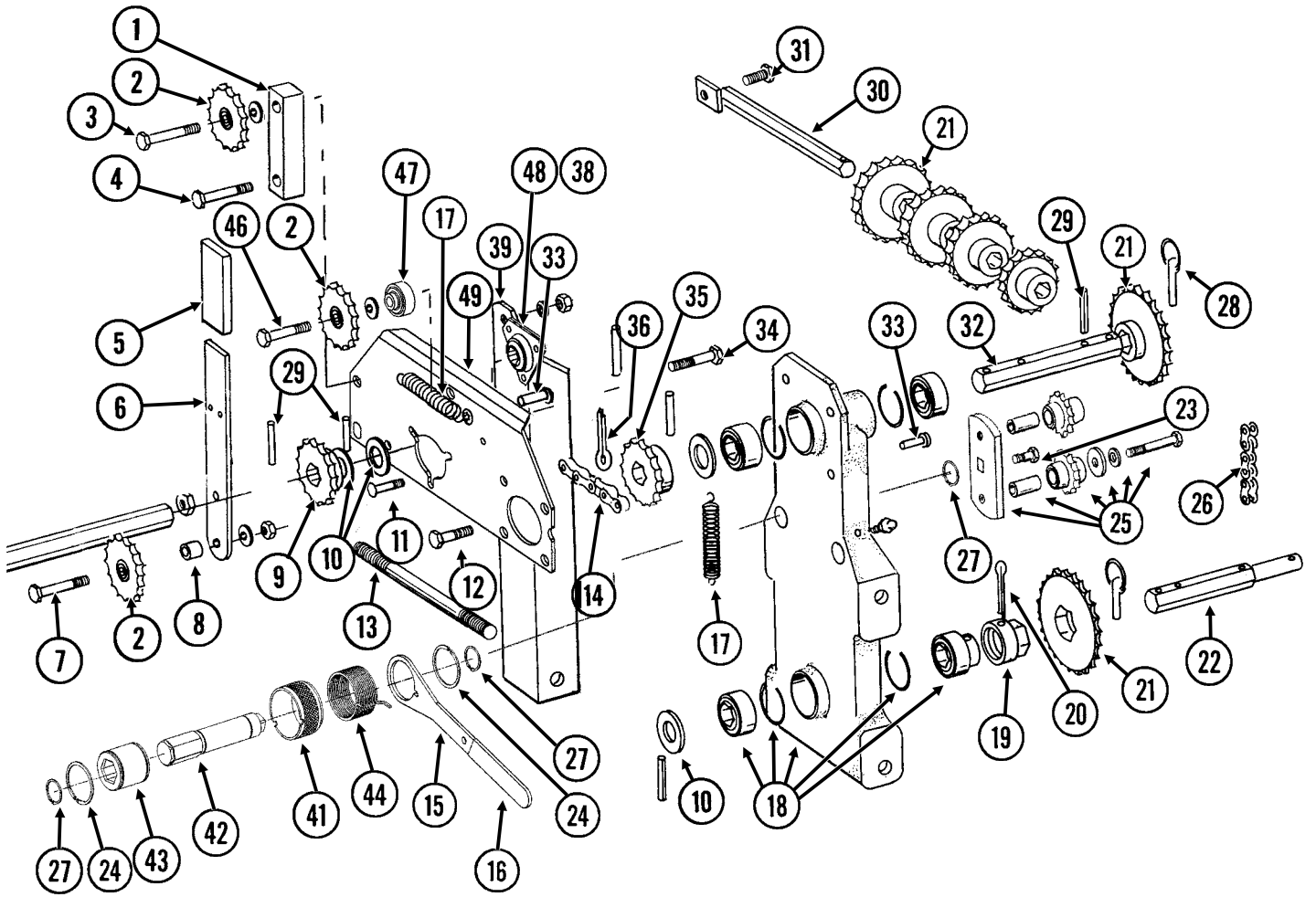


PTD016/PTD034(PT6/PT7c)



ITEM	PART NO.	QTY.	DESCRIPTION
1	G10602	2	Spring Pin, 1/4" x 1 1/2"
2	GD5884-01	1	Hex Shaft, 7/8" x 36" (3 Holes), 6 Row 30" and 8 Row 30"
3	GD5961	1	Coupler, 2 1/4"
4	GD5885-01	1	Hex Shaft, 7/8" x 30" (6 Holes), 6 Row 30" and 8 Row 30"
5	---	-	<a href="#">See "Seed Rate Transmission Assembly" on page P54</a>
6	G10131	4	Square Head Set Screw, 5/16"-18 x 3/4"
7	GD0914-170	1	Hex Shaft, 7/8" x 170" (No Holes), 6 Row 30"
	GD0914-230	-	Hex Shaft, 7/8" x 230" (No Holes), 8 Row 30"
8	G10460	2	Cotter Pin, 1/4" x 2"
9	G10233	-	Machine Bushing, 1", 10 Gauge (As Required)
10	GA5165	1	Sprocket, 30 Tooth
11	G10430	1	External Retaining Ring, 1 1/4"
12	GD1255	2	L-Pin
13	GA0378	1	Block and Hub Assembly
14	G10453	2	Cotter Pin, 3/16" x 1"
15	GD1256	2	Spring
16	G10130	1	Square Head Machine Bolt, 5/16"-18 x 1 3/4"
	G10923	1	Flange Nut, 5/16"-18, No Serration
17	GD11045	1	Lock Clamp
18	G10233	2	Machine Bushing, 1", 10 Gauge
19	GB0287	2	Coupler
A	GA5164	-	Ratchet/Sprocket Assembly, Includes: (2) GD1256, (2) G10464,
B	GA11331	-	Hex Lock Clamp Assembly (Items 16 and 17)

(PT8k/PT8mm)



## Seed Rate Transmission Assembly

Model 3005

M0298-02

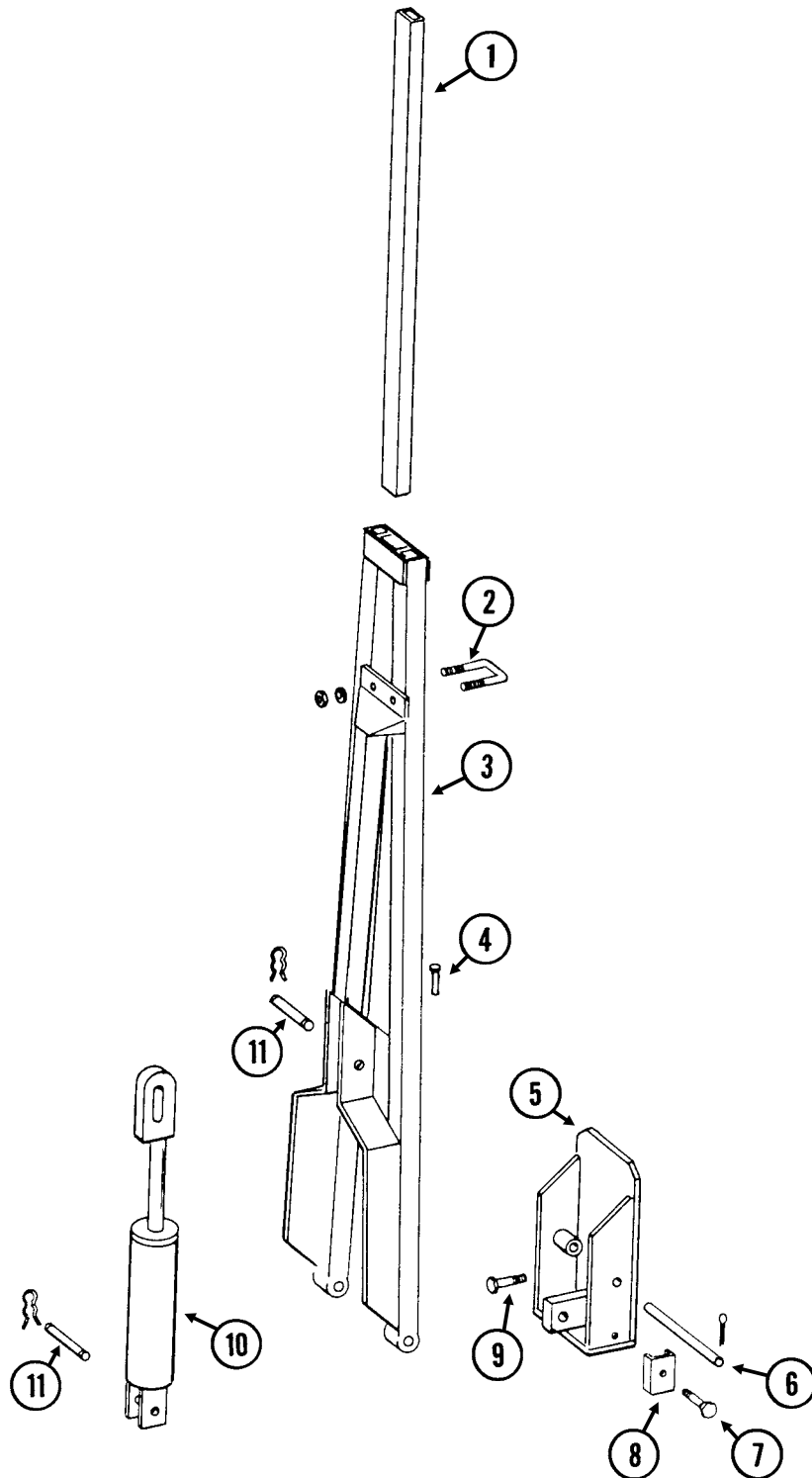
ITEM	PART NO.	QTY.	DESCRIPTION
1	GD12571	-	Spacer, 1" x 4"
2	GA7154	1	Sprocket W/Bearing, 18 Tooth
3	G10033	1	Hex Head Cap Screw, ½"-13 x 3½"
	G10128	-	Machine Bushing, ½", 14 Gauge (As Required)
	G10228	1	Lock Washer, ½"
	G10102	1	Hex Nut, ½"-13
4	G10053	1	Hex Head Cap Screw, ½"-13 x 2½"
	G10228	1	Lock Washer, ½"
	G10102	1	Hex Nut, ½"-13
5	GD5827	1	Cover
6	GD31450	1	Arm
7	G10053	1	Hex Head Cap Screw, ½"-13 x 2½"
	G10128	-	Machine Bushing, ½", 14 Gauge (As Required)
	G10111	1	Lock Nut, ½"-13
8	GD4887-01	1	Sleeve, ½" I.D. x ⅝" Long
9	GA5105	1	Sprocket, 15 Tooth
10	G10233	-	Machine Bushing, 1", 10 Gauge
11	G10303	3	Carriage Bolt, ⅝"-18 x 1"
	G10232	3	Lock Washer, ⅝"
	G10106	3	Hex Nut, ⅝"-18
12	G10037	3	Hex Head Cap Screw, ½"-13 x 1¼"
	G10228	3	Lock Washer, ½"
	G10102	3	Hex Nut, ½"-13
13	G10177	2	Hex Head Cap Screw, ⅝"-11 x 9½"
	G10230	2	Lock Washer, ⅝"
	G10104	2	Hex Nut, ⅝"-11
14	G3310-92	1	Chain, No. 40, 92 Pitch Including Connector Link
	G3310-100	-	Chain, No. 40, 100 Pitch Including Connector Link, Used With Half Rate (2 To 1) Drive Reduction
	GR0912	-	Connector Link, No. 40
15	GD14431	1	Handle
16	G11078	1	Vinyl Cap
17	GD5857	2	Spring
18	GA5629	1	Transmission Plate W/Bearings, Grease Fittings and Retaining Rings
	GA5116	3	Bearing, ⅞" Hex Bore, Cylindrical (Included W/GA5629)
	GA5624	1	Special Bearing, ⅞" Hex Bore x 1.6" (Included W/GA5629)
	GD6551	4	Ring (Included W/GA5629)
	G10640	-	Grease Fitting, ¼"-28 (Included W/GA5629)
19	GD7127	1	Shear Coupler
20	G10821	1	Clevis Pin, ⅜" x 2"
	G10455	1	Cotter Pin, ⅜" x ½"
21	GA5106	1	Sprocket, 17 Tooth
	GA5107	1	Sprocket, 19 Tooth
	GA5108	2	Sprocket, 23 Tooth
	GA5109	1	Sprocket, 24 Tooth
	GA5110	1	Sprocket, 25 Tooth
	GA5111	1	Sprocket, 26 Tooth
	GA5112	1	Sprocket, 27 Tooth
	GA5113	1	Sprocket, 28 Tooth
22	GD7822	1	Shaft, ⅞" x 7"
23	G11100	1	Hex Socket Button Head Cap Screw, ¼"-20 x ½", Grade 8
	G10227	1	Lock Washer, ¼"
	G11453	1	Fender Washer, ¼"
24	G10496	2	External Inverted Snap Ring, 1½"

Continued on next page.

ITEM	PART NO.	QTY.	DESCRIPTION
25	GA7336	1	Idler W/Bolt-On Sprockets
	GD7426	-	Sprocket, 12 Tooth (Included W/GA7336)
	GD1026	-	Sleeve, 1 $\frac{3}{16}$ " Long (Included W/GA7336)
	G11387	-	Flat Washer, $\frac{3}{8}$ " SAE (Included W/GA7336)
	G10229	-	Lock Washer, $\frac{3}{8}$ " (Included W/GA7336)
	G10047	-	Hex Head Cap Screw, $\frac{3}{8}$ "-16 x 1 $\frac{3}{4}$ " (Included W/GA7336)
26	G3310-80	1	Chain, No. 40, 80 Pitch Including Connector Link
	GR0912	-	Connector Link, No. 40
27	G11075	3	External Inverted Snap Ring, $\frac{7}{8}$ "
28	GD2558	3	Lynch Pin, $\frac{1}{4}$ "
29	G10602	5	Spring Pin, $\frac{1}{4}$ " x 1 $\frac{1}{2}$ "
30	GA5146	1	Sprocket Storage Rod
31	G10017	1	Hex Head Cap Screw, $\frac{1}{2}$ "-13 x 1 $\frac{1}{2}$ "
	G10527	1	Lock Washer, $\frac{1}{2}$ ", Internal/External
	G10111	1	Lock Nut, $\frac{1}{2}$ "-13
32	GD5835	1	Shaft, $\frac{7}{8}$ " x 7"
33	G10870	1	Clevis Pin, $\frac{3}{8}$ " x 1"
	G10860	1	Retaining Ring, $\frac{3}{8}$ "
34	G10004	1	Hex Head Cap Screw, $\frac{3}{8}$ "-16 x 1 $\frac{1}{4}$ "
	G10229	1	Lock Washer, $\frac{3}{8}$ "
	G11387	1	Flat Washer, $\frac{3}{8}$ " SAE
	GD15538	2	Spacer, $\frac{3}{8}$ " I.D. x $\frac{7}{8}$ " O.D., 7 Gauge
	GD5756	1	Special Nut, $\frac{3}{8}$ "-16
35	GA5106	1	Sprocket, 17 Tooth, Standard Drive
	GA5202	-	Sprocket, 34 Tooth, Half Rate (2 To 1) Drive Reduction
36	G10460	1	Cotter Pin, $\frac{1}{4}$ " x 2"
37	G2100-03	1	Bearing, $\frac{7}{8}$ " Hex Bore, Spherical
38	G3400-01	2	Flangette
39	GD30624	1	Angle Support, R.H.
40	---	---	---
41	GD19343	1	Release Collar, R.H.
42	GD14427	1	Tightener Shaft, 4 $\frac{7}{8}$ "
43	GD14432	1	Sleeve, 1 $\frac{1}{4}$ "
44	GD14413	1	Torsion Spring, L.H. (Used On R.H. Wrap Spring Wrench)
45	---	---	---
46	G10038	1	Hex Head Cap Screw, $\frac{1}{2}$ "-13 x 3"
	G10128	-	Machine Bushing, $\frac{1}{2}$ ", 14 Gauge (As Required)
	G10111	1	Lock Nut, $\frac{1}{2}$ "-13
47	GB0259	-	Spacer, 1"
48	G2100-03	-	Bearing, $\frac{7}{8}$ " Hex Bore, Spherical
49	GD30622	-	Reverser Plate
A	G1K378	-	Wrap Spring Wrench Replacement Kit, Blue Collar, R.H. (Items 15, 16, 23, 24, 27 and 41-44)

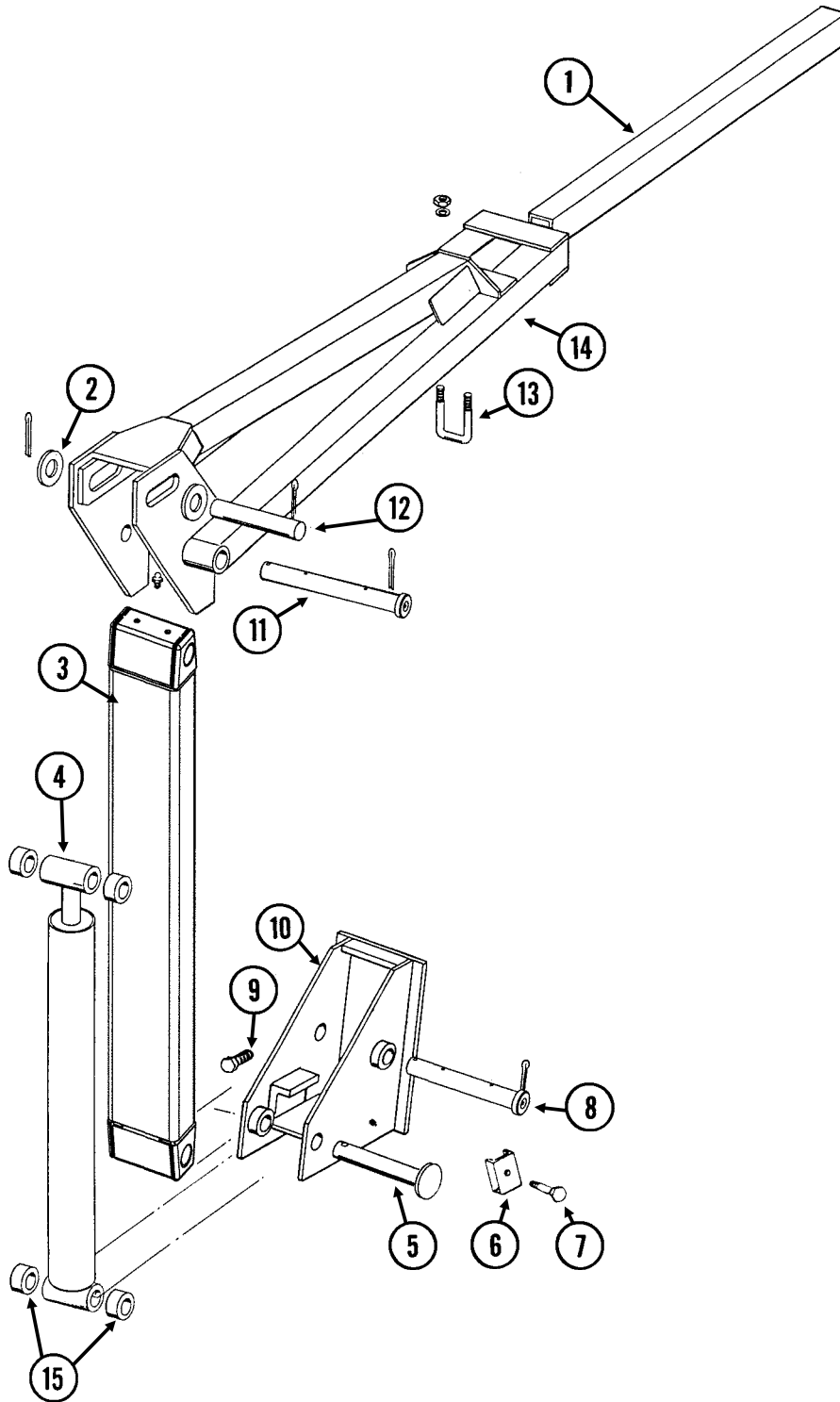
**This page left blank intentionally.**

MKR010(MKR1a)



ITEM	PART NO.	QTY. (Per Assy.)	DESCRIPTION
1	GD0453-02	1	Extension Tube, 40", 4 Row 30"
	GD0453-06	-	Extension Tube, 30", 4 Row 30" W/Optional Split Row Package
	GD0453-07	-	Extension Tube, 45", 6 Row 30"
2	GD2721	1	U-Bolt, 2" x 2" x ½"-13
	G10228	2	Lock Washer, ½"
	G10102	2	Hex Nut, ½"-13
3	GA5175	1	Arm W/Grease Fittings, 31½", 4 Row 30"
	GA5183	-	Arm W/Grease Fittings, 58½", 6 Row 30"
	G10640	-	Grease Fitting, ¼"-28 (Included W/GA5175, GA5184, or GA5183)
4	GD0462	1	Safety Lockup Pin
	G10670	1	Hair Pin Clip, No. 3
	G10187	1	Spring Pin, ⅝" x 2"
5	GA5177	1	Mount W/Grease Fittings, 4 Row 30"
	GA5178	-	Mount W/Grease Fittings, 6 Row 30"
	G10640	-	Grease Fitting, ¼"-28 (Included W/GA5177 or GA5178)
6	GD0438	1	Pin, 13½"
	G10460	2	Cotter Pin, ¼" x 2"
7	G10133	1	Hex Head Cap Screw, ⅝"-18 x 1½"
	G10109	1	Lock Nut, ⅝"-18, Grade 8
8	GD5892	1	Hose Clamp, ⅝" x 1½" x 1½"
9	G10008	4	Hex Head Cap Screw, ⅝"-11 x 2"
	G10230	4	Lock Washer, ⅝"
10	---	-	<a href="#">See "Row Marker Cylinder, 4 Row 30" and 6 Row 30" on page P68</a>
11	GR0962	1	Pin, 1" x 3⅜"
	GR0193	2	Hair Pin Clip

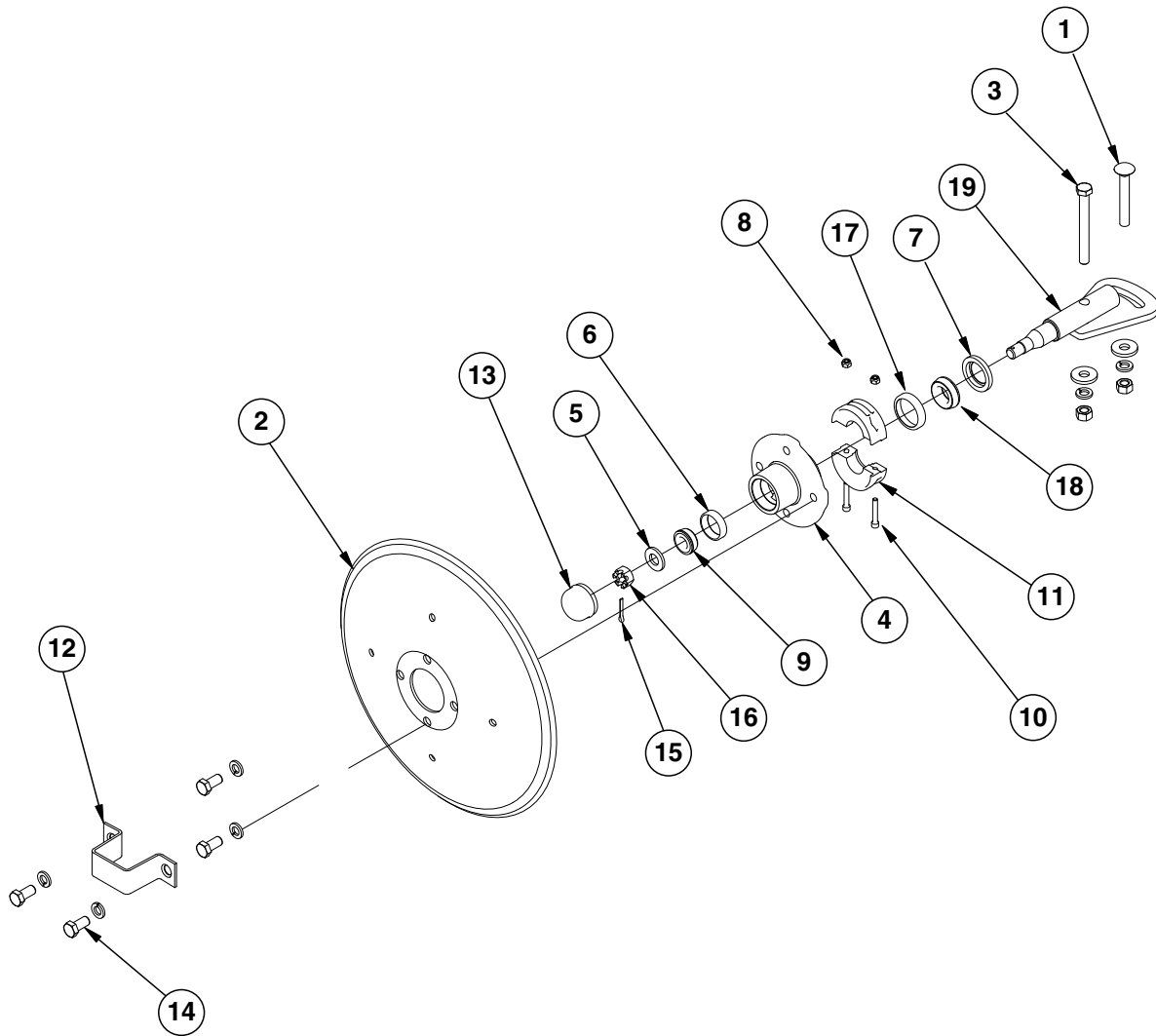
MKR006/MKR009(MKR2ff)





ITEM	PART NO.	QTY. (Per Assy.)	DESCRIPTION
1	GD0453-03	1	Extension Tube, 50", 8 Row 30"
2	G11396	2	Flat Washer, 1¼" SAE
3	GA11591	-	Arm, First Stage
4	---	-	<a href="#">See "Row Marker Cylinder, 4 Row 30" and 6 Row 30" on page P68</a>
5	GD15386	1	Pin, 1¼" x 7 <sup>5</sup> / <sub>8</sub> "
	G10460	1	Cotter Pin, ¼" x 2"
6	GD5875	1	Hose Clamp
7	G10133	1	Hex Head Cap Screw, 5 <sup>16</sup> / <sub>16</sub> "-18 x 1½"
	G10109	1	Lock Nut, 5 <sup>16</sup> / <sub>16</sub> "-18, Grade 8
8	GD21142	1	Pin W/Grease Fitting, 1¼" x 9½"
	G11400	1	Retaining Ring, 1¼"
	G10640	1	Grease Fitting, ¼"-28
	G10159	2	Washer, 1 <sup>7</sup> / <sub>8</sub> ", 10 Gauge (.1345")
	G10460	1	Cotter Pin, ¼" x 2"
	G10049	1	Hex Head Cap Screw, 3 <sup>8</sup> / <sub>8</sub> "-16 x 2½"
	G10108	1	Lock Nut, 3 <sup>8</sup> / <sub>8</sub> "-16
9	G10879	4	Flanged 12 Point Bolt, 5 <sup>8</sup> / <sub>8</sub> "-11 x 2", Special Hardened
10	GA5130	1	Mount
11	GD21143	1	Pin W/Grease Fitting, 1¼" x 9½"
	G11400	1	Retaining Ring, 1¼"
	G10640	1	Grease Fitting, ¼"-28
	G10159	2	Washer, 1 <sup>7</sup> / <sub>8</sub> ", 10 Gauge (.1345")
	G10460	1	Cotter Pin, ¼" x 2"
	G10049	1	Hex Head Cap Screw, 3 <sup>8</sup> / <sub>8</sub> "-16 x 2½"
	G10108	1	Lock Nut, 3 <sup>8</sup> / <sub>8</sub> "-16
12	GD2161	1	Pin, 1¼" x 8¼"
	G10460	2	Cotter Pin, ¼" x 2"
13	GD2721	1	U-Bolt, 2" x 2" x ½"-13
	G10228	2	Lock Washer, ½"
	G10102	2	Hex Nut, ½"-13
14	GA5188	1	Arm, Second Stage, 35", 6 Row 36"/38"
15	GD0752-41	-	Sleeve, 1" (If Applicable)

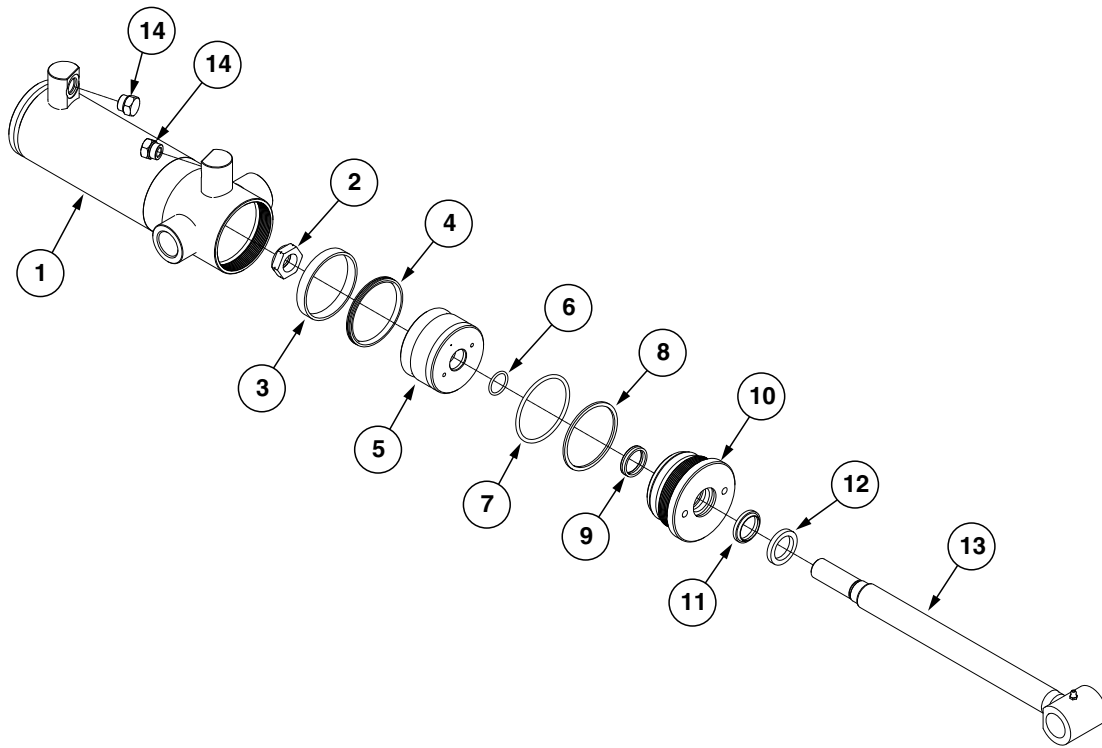
IP1035aa



ITEM	PART NO.	QTY. (Per Assy.)	DESCRIPTION
1	G10844	1	Carriage Bolt, 1/2"-13 x 3 1/2"
	G10168	2	Machine Bushing, 1/2", 7 Gauge
	G10228	2	Lock Washer, 1/2"
	G10102	2	Hex Nut, 1/2"-13
2	GD0746	1	Disc Blade, Solid, 16" (Shown)
	GD10283	-	Disc Blade, Notched, 16" (Optional)
3	G10045	1	Hex Head Cap Screw, 1/2"-13 x 4 1/2"
	G10168	2	Machine Bushing, 1/2", 7 Gauge
	G10228	2	Lock Washer, 1/2"
	G10102	2	Hex Nut, 1/2"-13
4	GA26876	1	Hub W/Cups, 4 Bolt (Includes Items 6 and 17)
5	G11391	1	Flat Washer, 5/8" SAE
6	GR0151	1	Outer Cup
7	GD21540	1	Grease Seal
8	G10110	2	Lock Nut, 1/4"-20, Grade B
9	GA0257	1	Bearing
10	G11418	2	Hex Socket Head Cap Screw, 1/4" x 1 1/2"
11	GB0554	2	Hub Shield
12	GD2597	1	Retainer
13	GD0840	1	Dust Cap
14	G10722	4	Hex Head Cap Screw, 1/2"-20 x 1"
	G10228	4	Lock Washer, 1/2"
15	G10544	1	Cotter Pin, 5/32" x 1"
16	G10725	1	Slotted Hex Nut, 5/8"-18
17	GR0150	1	Inner Cup
18	GA0245	1	Bearing
19	GA15151	1	Spindle
A	GA26909	-	Marker Hub Assembly, (Items 4-6 and 8-19)

**This page left blank intentionally.**

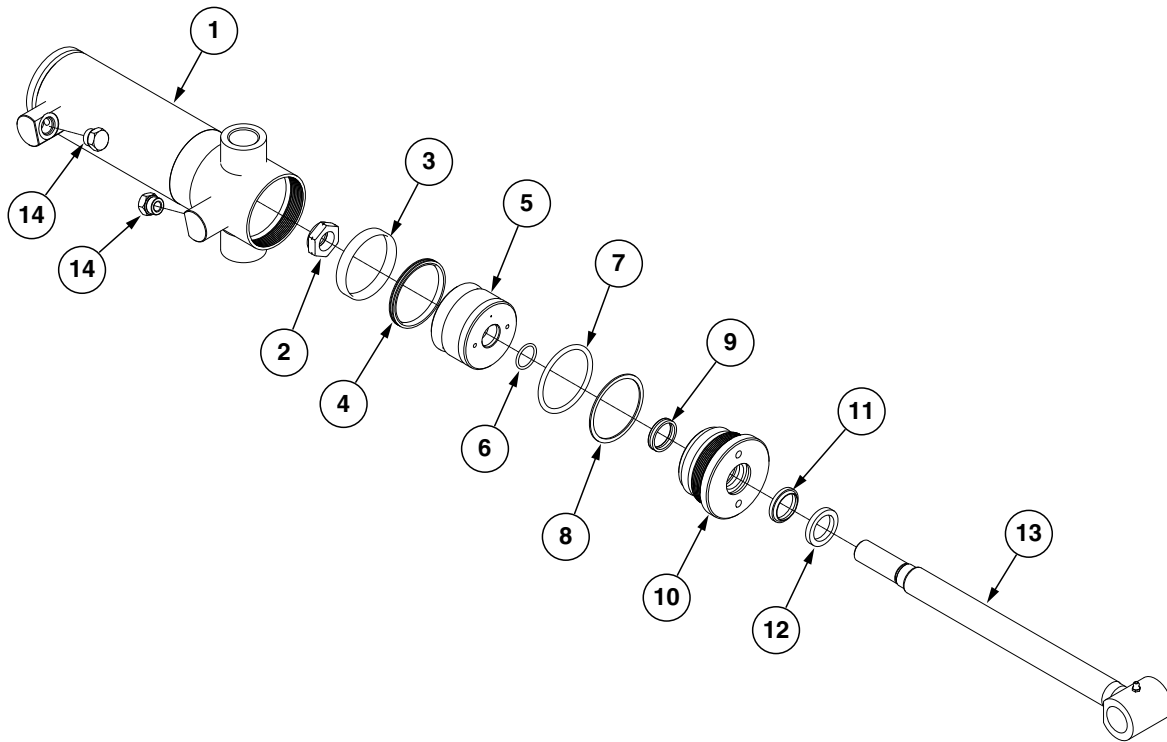
(IP1523)



ITEM	PART NO.	QTY.	DESCRIPTION
1	A4295	1	Barrel (Non-Stock Item)
2	GD27235	1	Nylon Lock Nut, 1"-14, Grade 8
3	*D12056	1	Wear Ring
4	*A26168	1	BP Seal
5	GA21112	1	Piston
6	*D29649	1	O-Ring, No. 215
7	*D12231	1	O-Ring, No. 338
8	*D12232	1	BU Ring
9	*D12251	1	U-Cup
10	GD12507	1	Gland
11	*D12210	1	Wiper
12	GD12102	1	Ring
13	GA21106	1	Rod
14	G6408-08 GR1037	2 -	Plug W/O-Ring, 3/4"-16 O-Ring O-Ring
A	GA21111	-	Cylinder Complete, 3 1/2" x 8" (Part Number Stamped On Barrel)
B	GR2228	-	Seal Kit, Includes: (1) Wiper, (3) O-Rings, (1) BU Ring, (1) BP Seal, (1) Wear Ring, (1) U-Cup

\*Item is part of seal kit, item can not be purchased individually.

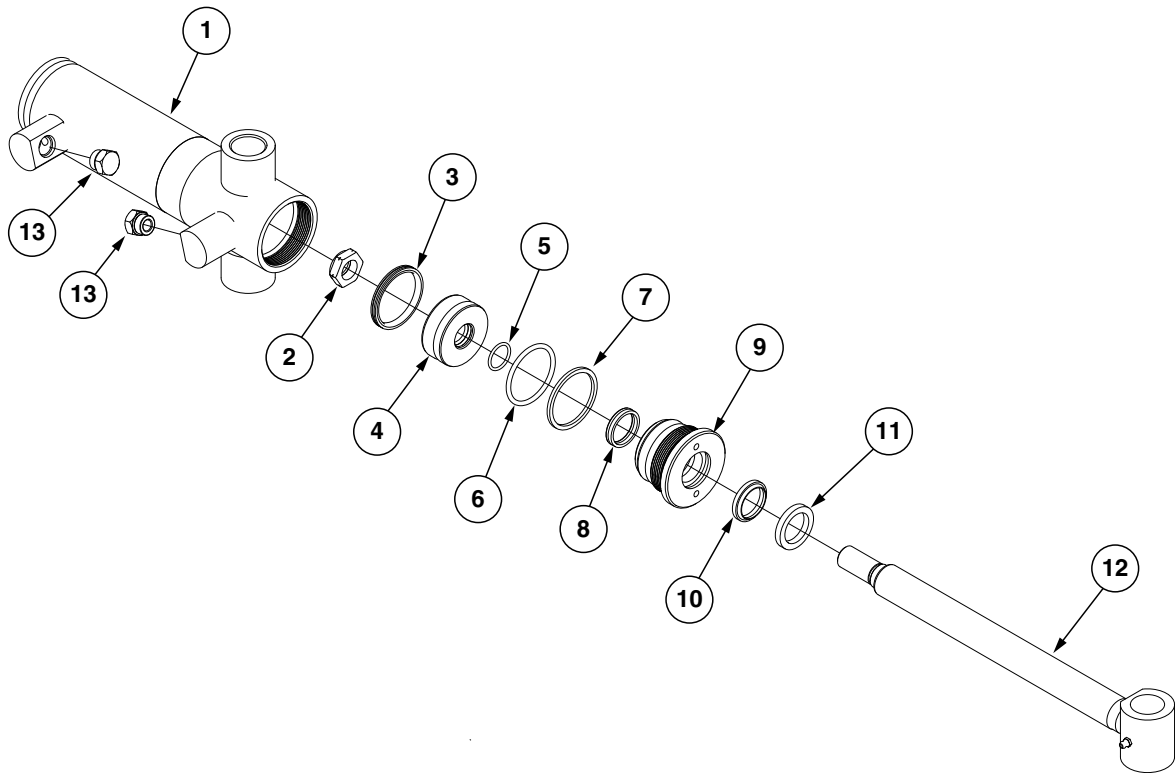
(IP1524)



ITEM	PART NO.	QTY.	DESCRIPTION
1	A7538	1	Barrel
2	GD27235	1	Nylon Lock Nut, 1"-14, Grade 8
3	*D12038	1	Wear Ring
4	*A26167	1	BP Seal
5	GA21105	1	Piston
6	*D29649	1	O-Ring, No. 215
7	*D12227	1	O-Ring, No. 336
8	*D12228	1	Back-Up Ring
9	*D12251	1	U-Cup
10	GD12505	1	Gland
11	*D12210	1	Wiper
12	GD12102	1	Ring
13	GA21106	1	Rod
14	G6408-08	2	Plug W/O-Ring, 3/4"-16 O-Ring
	GR1037	-	O-Ring
A	GA21104	-	Cylinder Complete, 3 1/4" x 8" (Part Number Stamped On Barrel)
B	GR2225	-	Seal Kit, Includes: (1) Wiper, (1) U-Cup, (3) O-Rings, (1) BU Ring, (1) BP Seal, (1) Wear Ring

\*Item is part of seal kit, item can not be purchased individually.

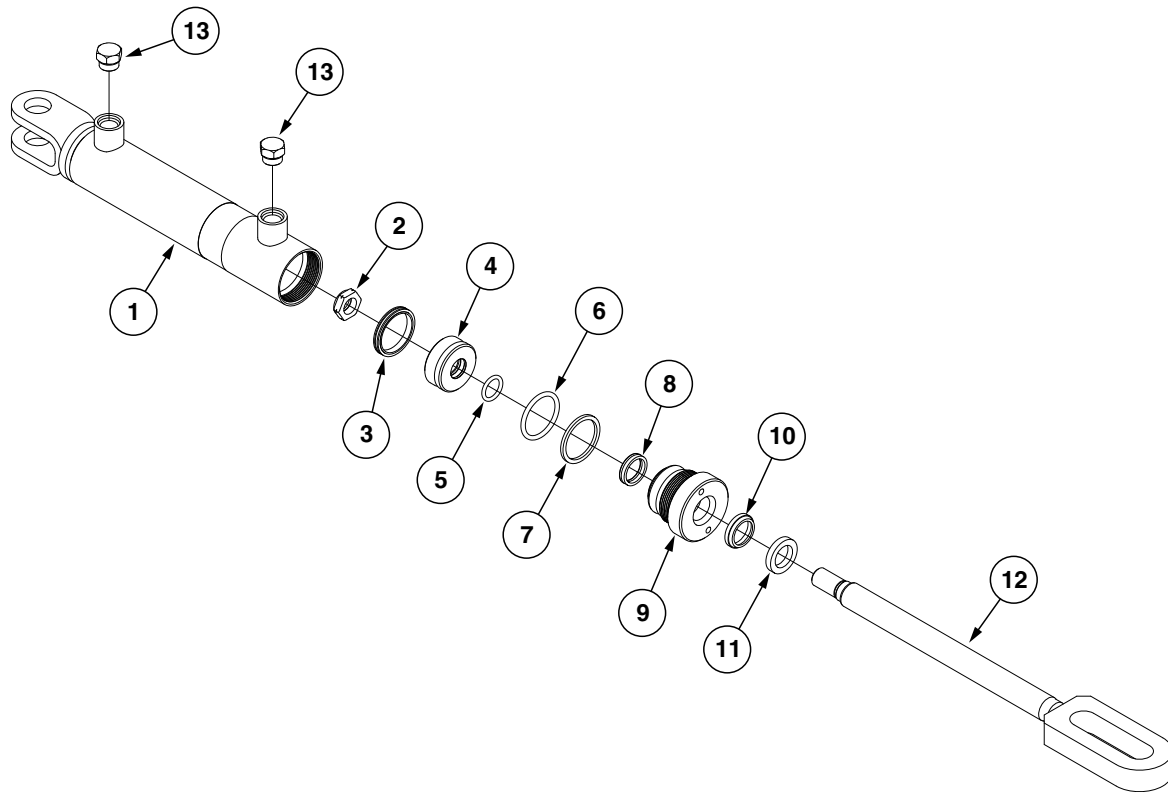
(IP1525)



ITEM	PART NO.	QTY.	DESCRIPTION
1	A8827	1	Barrel
2	GD27234	1	Nylon Lock Nut, 7/8"-14, Grade 8
3	*A24473	1	BP Seal
4	GD30401	1	Piston
5	*D30399	1	O-Ring, No. 119
6	*D12212	1	O-Ring, No. 330
7	*D12213	1	BU Ring
8	*D12251	1	U-Cup
9	GD11985	1	Gland
10	*D12210	1	Wiper
11	GD12102	1	Ring
12	GA21185	1	Rod
13	G6408-08	2	Plug W/O-Ring, 3/4"-16 O-Ring
	GR1037	-	O-Ring
A	GA21184	-	Cylinder Complete, 2 1/2" x 8" (Part Number Stamped On Barrel)
B	GR2227	-	Seal Kit, Includes: (1) Wiper, (3) O-Rings, (1) BU Ring, (1) BP Seal, (1) U-Cup

\*Item is part of seal kit, item can not be purchased individually.

(IP1528)



ITEM	PART NO.	QTY.	DESCRIPTION
1	A8775	1	Barrel
2	GD27233	1	Nylon Lock Nut, 3/4"-16, Grade 8
3	*D12277	1	T-Seal
4	GD29689	1	Piston
5	*D29692	1	O-Ring, No. 211
6	*D12235	1	O-Ring, No. 326
7	*D12236	1	Back-Up Ring
8	*D12256	1	U-Cup
9	GD12510	1	Gland
10	*D12233	1	Wiper Rod
11	GD12101	1	Ring
12	GA21168	1	Rod
13	G6408-08	2	Plug W/O-Ring, 3/4"-16 O-Ring
	GR1037	-	O-Ring

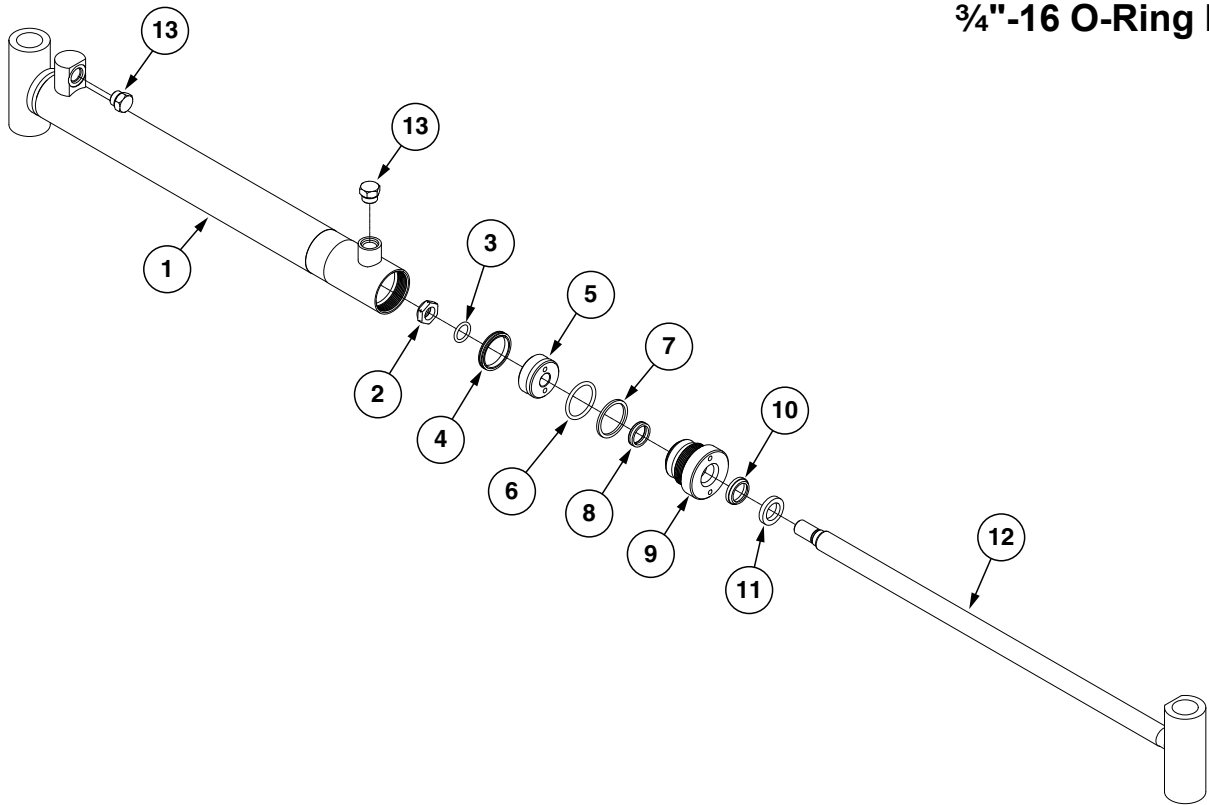
A	GA21167	-	Cylinder Complete, 2" x 8" (Part Number Stamped On Barrel)
B	GR2229	-	Seal Kit, Includes: (1) Wiper, (2) U-Cup, (3) O-Rings, (1) BU Ring, (1) T-Seal, (1) Instruction Sheet

\*Item is part of seal kit, item can not be purchased individually.



(IP1527)

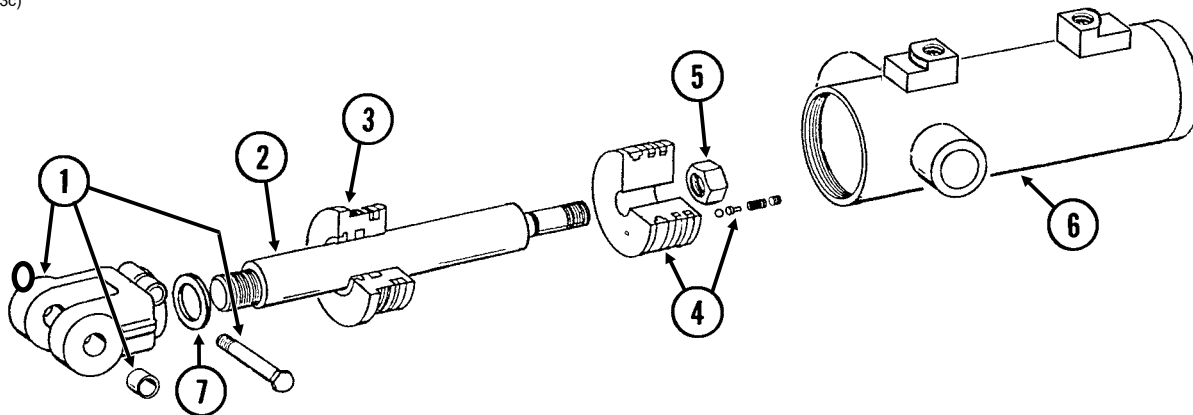
3/4"-16 O-Ring Ports



ITEM	PART NO.	QTY.	DESCRIPTION
1	A9442	1	Barrel
2	GD27233	1	Nylon Lock Nut, 3/4"-16, Grade 8
3	*D29692	1	O-Ring, No. 211
4	*D12277	1	T-Seal
5	GD29689	1	Piston
6	*D12235	1	O-Ring, No. 326
7	*D12236	1	Back-Up Ring
8	*D12256	1	U-Cup
9	GD12510	1	Gland
10	*D12233	1	Wiper Rod
11	GD12101	1	Ring
12	GA21159	1	Rod
13	G6408-08	2	Plug W/O-Ring, 3/4"-16 O-Ring
	GR1037	-	O-Ring
A	GA21158	-	Cylinder Complete, 2" x 20 1/16" (Part Number Stamped On Barrel)
B	GR2229	-	Seal Kit, Includes: (1) Wiper, (2) U-Cup, (3) O-Rings, (1) BU Ring, (1) T-Seal, (1) Instruction Sheet

\*Item is part of seal kit, item can not be purchased individually.

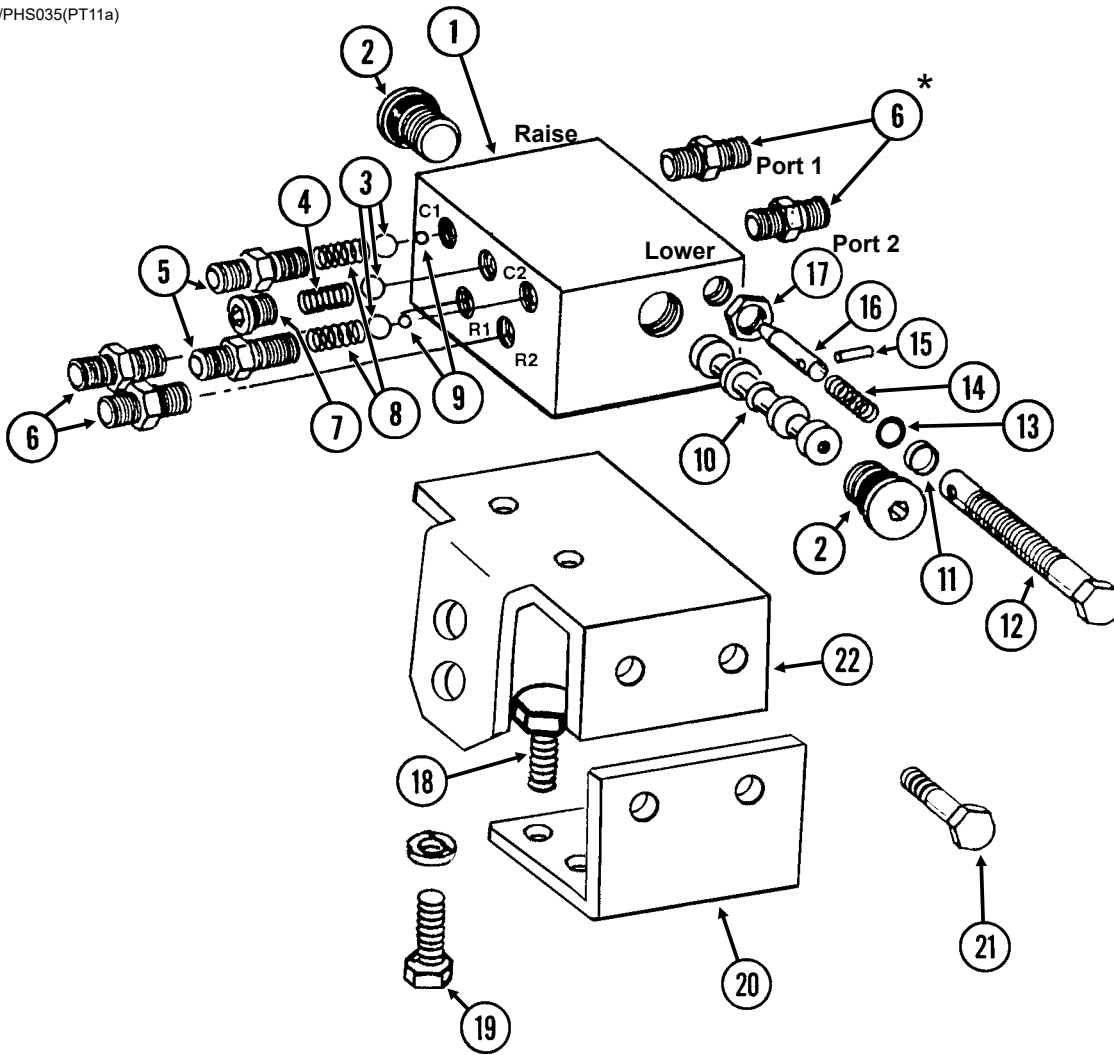
(CYL33c)



ITEM	PART NO.	QTY.	DESCRIPTION
1	GA8130	1	Clevis W/Bushings, Hex Head Cap Screw and Hex Nut
	GD11751	2	Steel Bushing, 1" Wide
	G10939	1	Hex Head Cap Screw, 3/8"-16 x 2 1/4"
	G10101	1	Hex Nut, 3/8"-16
2	GD12513	1	Rod
3	GD11995	1	Gland
4	GA8924	1	Piston W/Rephasing Valve
	GR1169	-	Rephasing Valve Replacement Kit (Includes: Set Screw, Guide, 2 Springs and Ball)
5	GD27235	1	Nylon Lock Nut, 1"-14, Grade 8
6	A8923	1	Barrel
7	G10957	4	Steel Shim
A	GA8897	-	Cylinder Complete, 4 1/4" x 4" (Part Number Stamped On Barrel)
B	GR1523	-	Seal Kit, Includes: (1) Wiper, (2) O-Rings, (1) BU Ring, (1) U-Cup, (1) Seal, (1) Expander, (2) Cast Iron Ring

**This page left blank intentionally.**

VVB025/PHS035(PT11a)

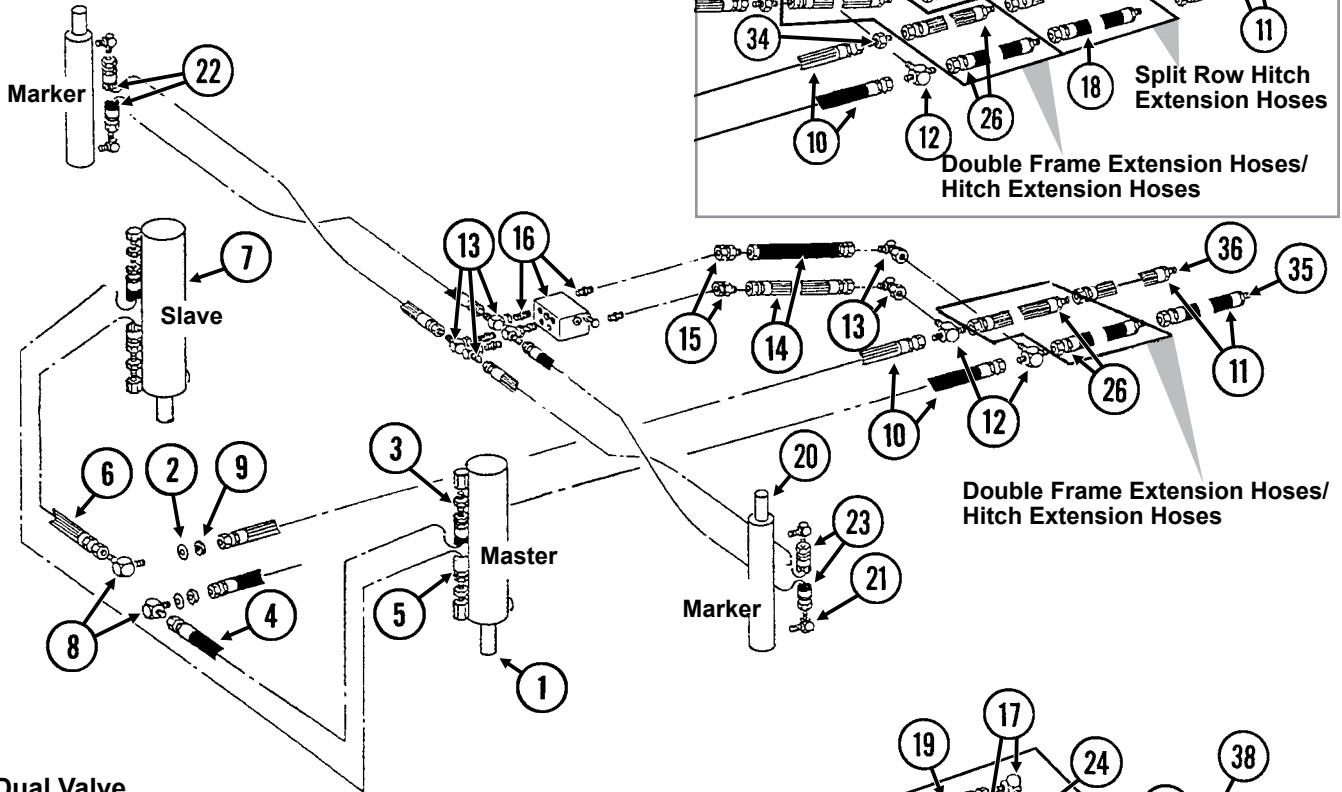
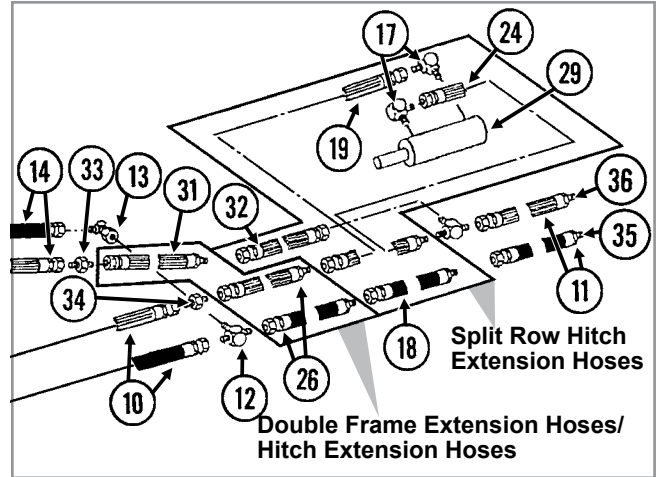


ITEM	PART NO.	QTY.	DESCRIPTION
1	---	-	Valve Body ( <b>Non-Stock Item</b> )
2	GR1047	2	Hex Socket Plug W/O-Ring
	GR1037	-	O-Ring
3	GR1044	3	7/16" Check Ball
4	GR1033	1	Detent Spring
5	GR1032	2	Port Adapter W/O-Ring
	GR1045	-	O-Ring
6	*G6400-06	4	Connector W/O-Ring, 1/16"-18 Male 37° JIC To 1/16"-18 O-Ring
	GR1045	-	O-Ring
7	GR1034	1	Hex Socket Plug W/O-Ring
	GR1035	-	O-Ring
8	GR1036	2	Spring
9	GR1043	2	1/4" Steel Ball
10	---	-	Spool ( <b>Non-Stock Item</b> )
11	GR1041	2	Teflon BU Ring
12	GR1042	2	Adjustment Screw
13	GR1040	2	O-Ring
14	GR1046	2	Compression Spring
15	GR1039	2	Spring Pin
16	GR1038	2	Needle
17	GR1048	2	Hex Jam Nut, 1/2"-20
18	G10001	2	Hex Head Cap Screw, 3/8"-16 x 1"
	G11387	2	Washer, 3/8" SAE
	G10229	2	Lock Washer, 3/8"
19	G10001	2	Hex Head Cap Screw, 3/8"-16 x 1"
	G10229	2	Lock Washer, 3/8"
20	GD10223	1	Mounting Angle
21	G10001	2	Hex Head Cap Screw, 3/8"-16 x 1"
	G11387	2	Washer, 3/8" SAE
	G10229	2	Lock Washer, 3/8"
	G10101	2	Hex Nut, 3/8"-16
22	GD10224	1	Valve Mounting Angle
A	GA5552	-	Valve Assembly Complete (Items 1-17)
B	GA5572	-	Flow Control Portion Only (Items 11-17)

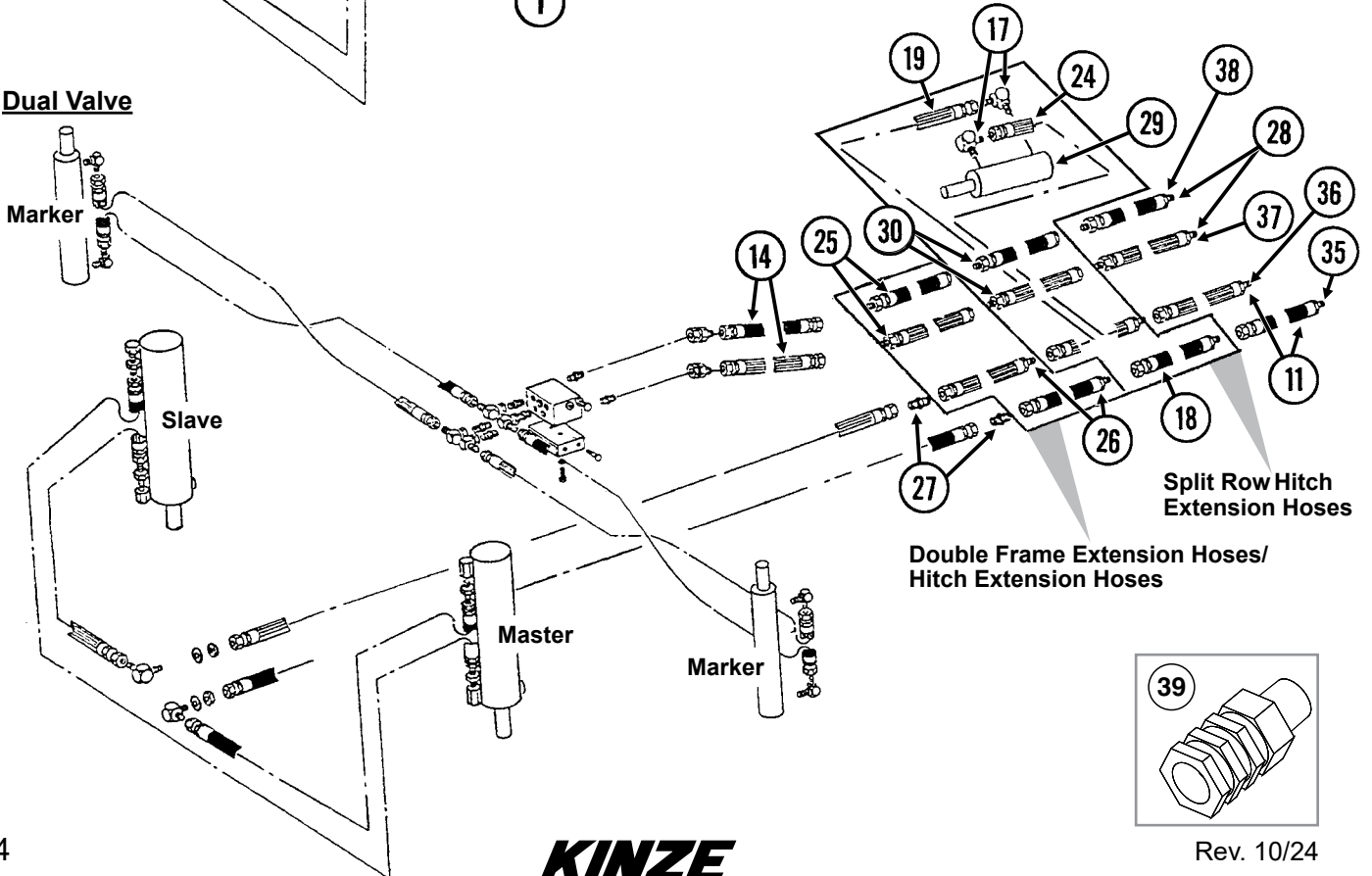
\*Not used on sizes with 3/8" hoses.

(PT12d/PT12e/PT13d)

**Single Valve**



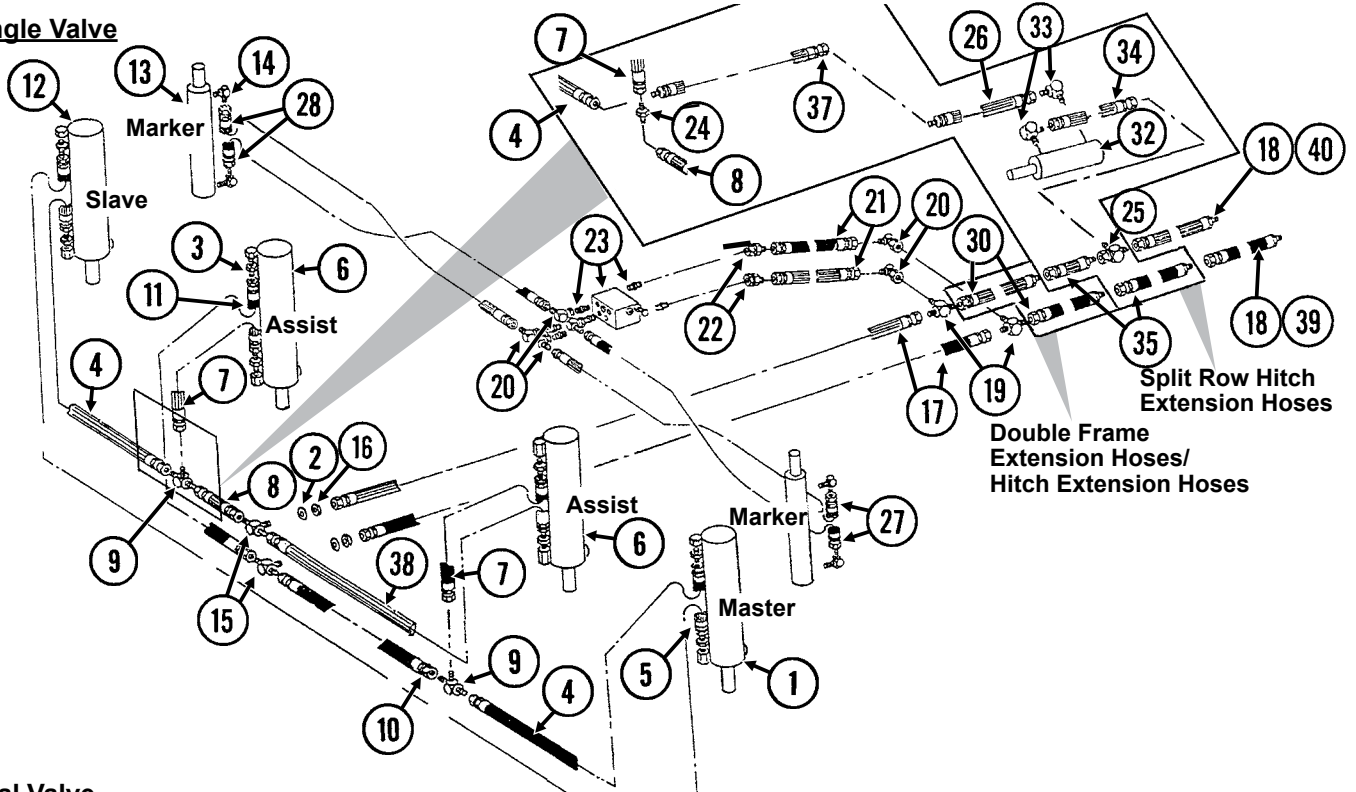
**Dual Valve**



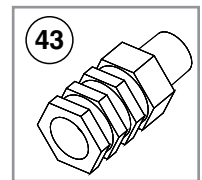
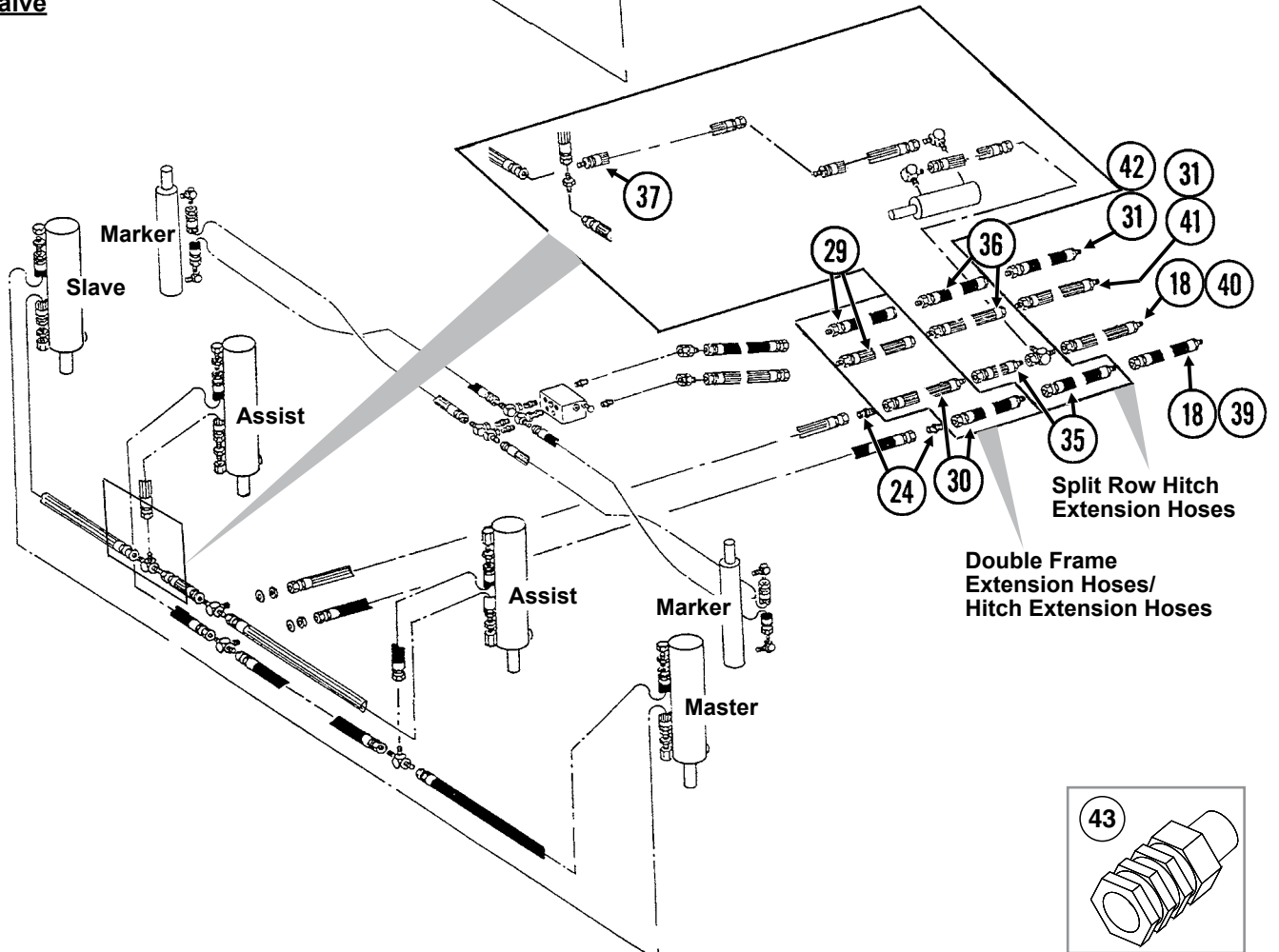
ITEM	PART NO.	QTY.	DESCRIPTION
1	---	-	<a href="#">See "Master Lift Cylinder" on page P65</a>
2	G10215	2	Machine Bushing, 3/4", 14 Gauge
3	G6400-08 GR1037	4 -	Connector W/O-Ring, 3/4"-16 Male JIC To O-Ring O-Ring
4	*A1018	1	Hose Assembly, 3/8" x 40", 4 Row 30"
5	*A3113	1	Hose Assembly, 3/8" x 84", 4 Row 30"
6	*A1020	1	Hose Assembly, 3/8" x 48", 4 Row 30"
7	---	-	<a href="#">See "Slave Lift Cylinder" on page P66</a>
8	G2701-08	2	Bulkhead Elbow, 90°, 3/4"-16 Male JIC
9	G306-08	2	Lock Nut, 3/4"-16
10	*A1076	2	Hose Assembly, 3/8" x 30"
11	*A26936-100	2	Hose Assembly, 3/8" x 100" (08F-1/2M NPTF W/Ext, W/Tip)
12	G2603-08-08-06	2	Tee, 3/4"-16 Male JIC To 1/2"-18 JIC
13	G6500-06	-	Swivel Elbow, 90°, 1/2"-18 Male JIC To Female
14	*A1138	2	Hose Assembly, 1/4" x 29"
15	G6502-06	2	Swivel Elbow, 45°, 1/2"-18 Male JIC To Female
16	---	-	<a href="#">See "Row Marker Sequencing/Flow Control Valve" on page P72</a>
17	G6801-08 GR1037	2 -	Elbow W/O-Ring, 90°, 3/4"-16 Male JIC To O-Ring O-Ring
18	*A3211	1	Hose Assembly, 3/8" x 66", W/Split Row Package
19	*A1020	1	Hose Assembly, 3/8" x 48", W/Split Row Package
20	---	-	<a href="#">See "Row Marker Cylinder, 4 Row 30" and 6 Row 30" on page P68</a>
21	G6801-06-08 GR1037	4 -	Elbow W/O-Ring, 90°, 1/2"-18 Male JIC To 3/4"-16 O-Ring O-Ring
22	*A1102	2	Hose Assembly, 1/4" x 95", 4 Row 30"
23	*A1170	2	Hose Assembly, 1/4" x 90", 4 Row 30"
24	*A1076	1	Hose Assembly, 3/8" x 30", W/Split Row Package
25	*A1182	-	Hose Assembly, 1/4" x 30", W/Double Frame Package
	*A1177	-	Hose Assembly, 1/4" x 24", W/Hitch Extensions
26	*A3142	-	Hose Assembly, 3/8" x 30", W/Double Frame Package
	*A3147	-	Hose Assembly, 3/8" x 24", W/Hitch Extensions
27	G2403-08	2	Union, 3/4"-16 Male JIC
28	*A7692-100	2	Hose Assembly, 1/4" x 100" (06M-1/2M NPTF W/Ext, W/Tip)
29	---	-	<a href="#">See "Split Row Lift Cylinder" on page P70</a>
30	*A1179	2	Hose Assembly, 1/4" x 56", W/Split Row Package
31	*A1182	1	Hose Assembly, 1/4" x 30", W/Double Frame Package
32	*A1153	1	Hose Assembly, 1/4" x 56", W/Split Row Package
33	G2403-06	1	Union, 1/2"-18 Male JIC, W/Split Row Package
34	G2403-08	1	Union, 3/4"-16 Male JIC, W/Split Row Package
35	GA26924-01	-	Hose Label/Cover, Red (Extend)
36	GA26924-02	-	Hose Label/Cover, Red (Retract)
37	GA26924-03	-	Hose Label/Cover, Blue (Extend)
38	GA26924-04	-	Hose Label/Cover, Blue (Retract)
39	GD36866	-	Fitting, 1/2"

\* Hydraulic hose is not stocked by Kinze Repair Parts.

**Single Valve**



**Dual Valve**





## Hydraulic System, 6 Row 30" Conventional Row Marker

Model 3005

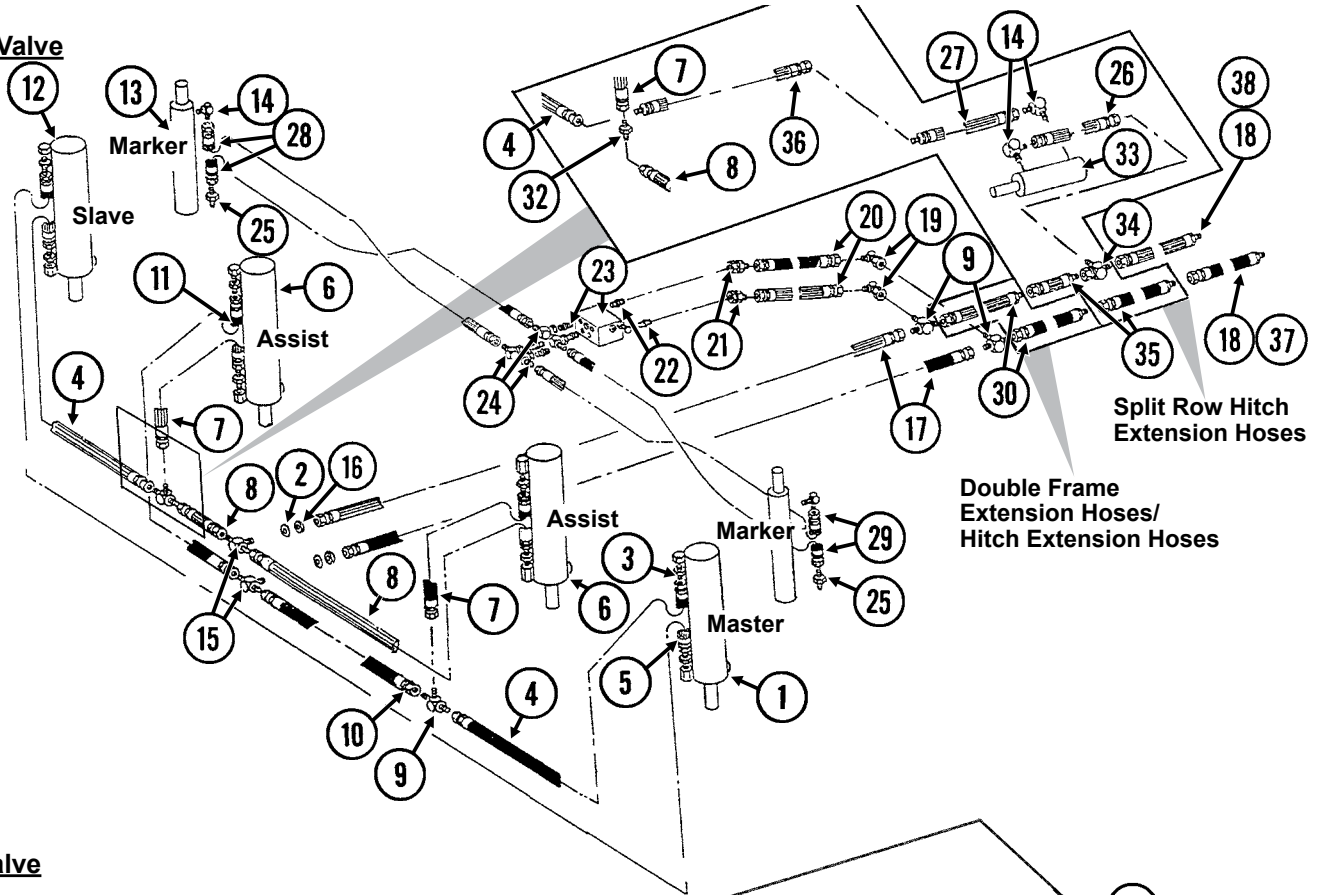
M0298-02

ITEM	PART NO.	QTY.	DESCRIPTION
1	---	-	<a href="#">See "Master Lift Cylinder" on page P65</a>
2	G10215	2	Machine Bushing, 3/4", 14 Gauge
3	G6400-08 GR1037	8 -	Connector W/O-Ring, 3/4"-16 Male JIC To O-Ring O-Ring
4	*A1018	2	Hose Assembly, 3/8" x 40"
5	*A3115	1	Hose Assembly, 3/8" x 146"
6	---	-	<a href="#">See "Lift Assist Cylinder, 6 Row 30" and 8 Row 30" on page P67</a>
7	*A1000	2	Hose Assembly, 3/8" x 15"
8	*A3119	1	Hose Assembly, 3/8" x 36"
9	G2603-08	2	Tee, 3/4"-16 Male JIC
10	*A1086	1	Hose Assembly, 3/8" x 28"
11	*A1019	1	Hose Assembly, 3/8" x 44"
12	---	-	<a href="#">See "Slave Lift Cylinder" on page P66</a>
13	---	-	<a href="#">See "Row Marker Cylinder, 4 Row 30" and 6 Row 30" on page P68</a>
14	G6801-06-08 GR1037	4 -	Elbow W/O-Ring, 90°, 9/16"-18 Male JIC To 3/4"-16 O-Ring O-Ring
15	G2703-08	2	Bulkhead Tee, 3/4"-16 Male JIC
16	G306-08	2	Lock Nut, 3/4"-16
17	*A1076	2	Hose Assembly, 3/8" x 30"
18	*A26936-100	2	Hose Assembly, 3/8" x 100" (08F-1/2M NPTF W/Ext, W/Tip)
19	G2603-08-08-06	2	Tee, 3/4"-16 Male JIC To 9/16"-18 JIC
20	G6500-06	2	Swivel Elbow, 90°, 9/16"-18 Male JIC To Female
21	*A1138	2	Hose Assembly, 1/4" x 29"
22	G6502-06	2	Swivel Elbow, 45°, 9/16"-18 Male JIC To Female
23	---	-	<a href="#">See "Row Marker Sequencing/Flow Control Valve" on page P72</a>
24	G2403-08	1	Union, 3/4"-16 Male JIC
25	G6602-08	1	Swivel Tee, 3/4"-16 JIC
26	*A3208	1	Hose Assembly, 3/8" x 140", W/Split Row Package
27	*A1168	2	Hose Assembly, 1/4" x 120"
28	*A1105	2	Hose Assembly, 1/4" x 125"
29	*A1182	-	Hose Assembly, 1/4" x 30", W/Double Frame Package
	*A1177	-	Hose Assembly, 1/4" x 24", W/Hitch Extensions
30	*A3142	-	Hose Assembly, 3/8" x 30", W/Double Frame Package
	*A3147	-	Hose Assembly, 3/8" x 24", W/Hitch Extensions
31	*A7692-100	2	Hose Assembly, 1/4" x 100" (06M-1/2M NPTF W/Ext, W/Tip)
32	---	-	<a href="#">See "Split Row Lift Cylinder" on page P70</a>
33	G6801-08 GR1037	2 -	Elbow W/O-Ring, 90°, 3/4"-16 Male JIC To O-Ring O-Ring
34	*A1076	1	Hose Assembly, 3/8" x 30", W/Split Row Package
35	*A3150	2	Hose Assembly, 3/8" x 56", W/Split Row Package
36	*A1179	2	Hose Assembly, 1/4" x 56", W/Split Row Package
37	*A3142	1	Hose Assembly, 3/8" x 30", W/Split Row Package (Double Frame Only)
38	*A3175	1	Hose Assembly, 3/8" x 38"
39	GA26924-01	-	Hose Label/Cover, Red (Extend)
40	GA26924-02	-	Hose Label/Cover, Red (Retract)
41	GA26924-03	-	Hose Label/Cover, Blue (Extend)
42	GA26924-04	-	Hose Label/Cover, Blue (Retract)
43	GD36866	-	Fitting, 1/2"

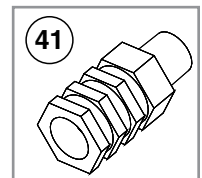
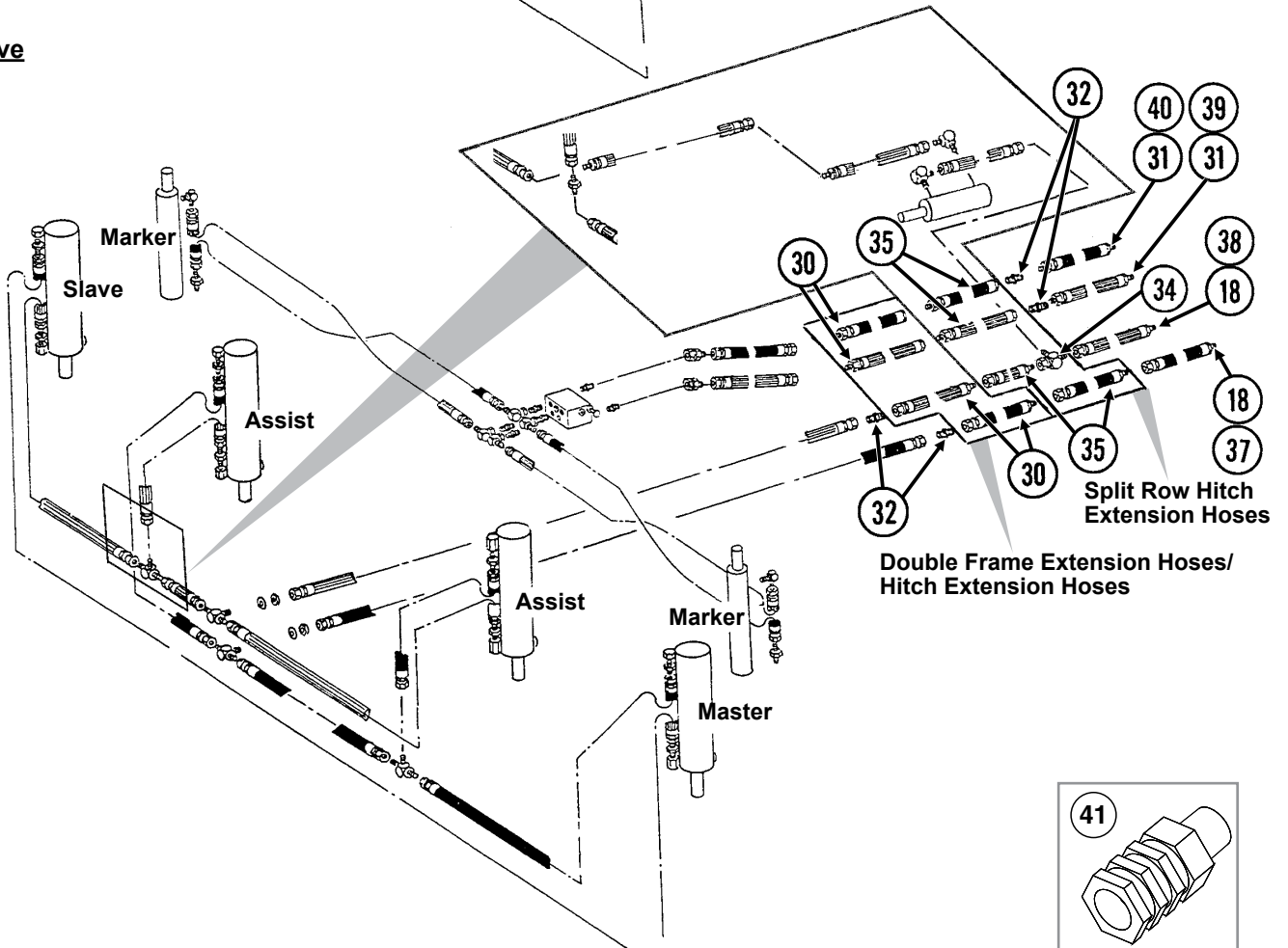
\* Hydraulic hose is not stocked by Kinze Repair Parts.

# Hydraulic System, 8 Row 30" Two-Fold Low Profile Row Marker

### Single Valve



### Dual Valve

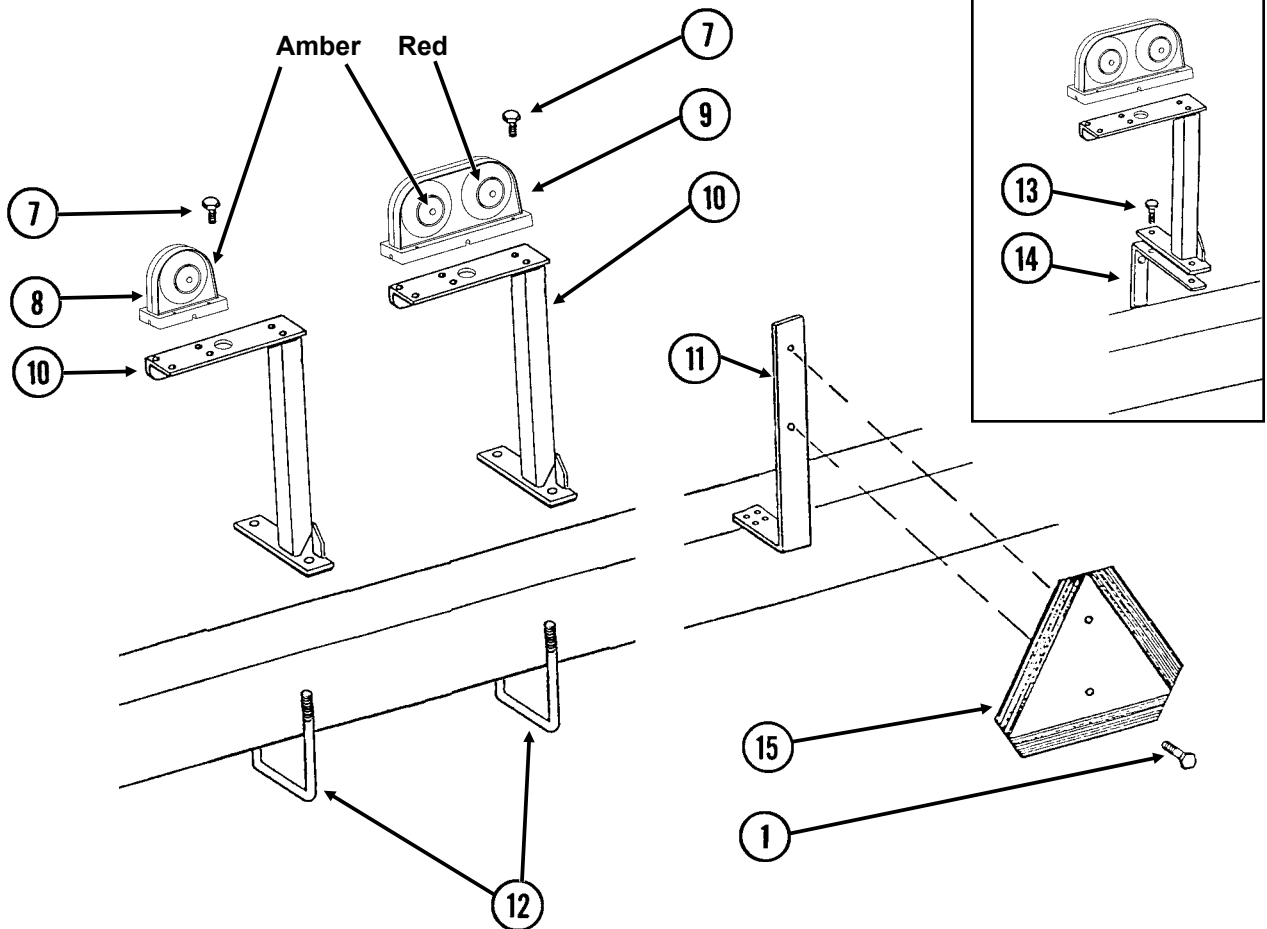
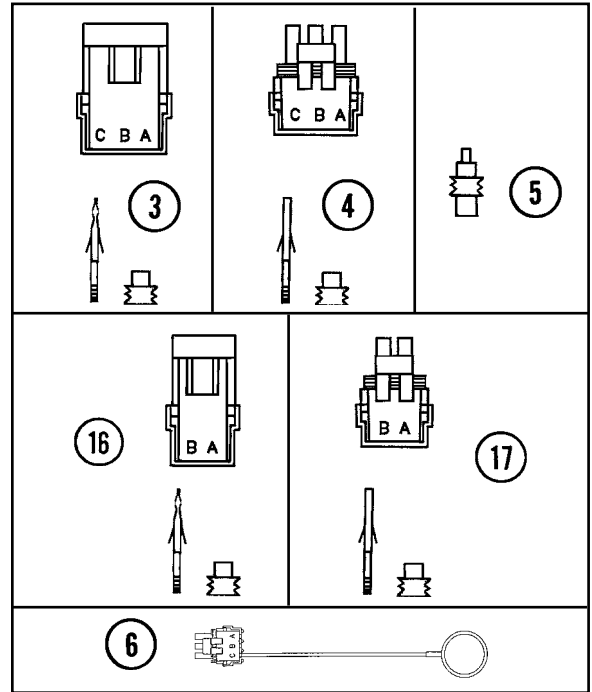
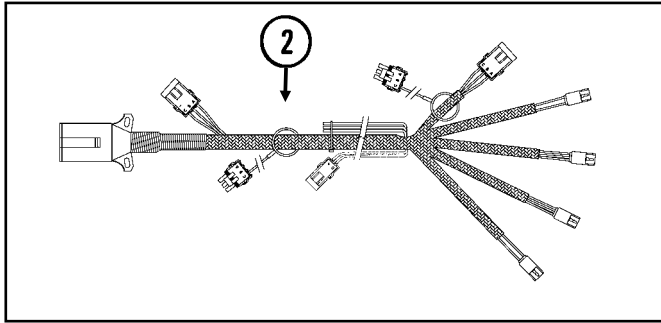


ITEM	PART NO.	QTY.	DESCRIPTION
1	---	-	<a href="#">See "Master Lift Cylinder" on page P65</a>
2	G10215	2	Machine Bushing, 3/4", 14 Gauge
3	G6400-08 GR1037	8 -	Connector W/O-Ring, 3/4"-16 Male JIC To O-Ring O-Ring
4	*A1018	2	Hose Assembly, 3/8" x 40", 8 Row 30"
5	*A1054	1	Hose Assembly, 3/8" x 204", 8 Row 30"
6	---	-	<a href="#">See "Lift Assist Cylinder, 6 Row 30" and 8 Row 30" on page P67</a>
7	*A1000	2	Hose Assembly, 3/8" x 15"
8	*A1055	2	Hose Assembly, 3/8" x 66", 8 Row 30"
9	G2603-08	2	Tee, 3/4"-16 Male JIC
10	*A1021	1	Hose Assembly, 3/8" x 56", 8 Row 30"
11	*A1039	1	Hose Assembly, 3/8" x 76", 8 Row 30"
12	---	-	<a href="#">See "Slave Lift Cylinder" on page P66</a>
13	---	-	<a href="#">See "Row Marker Cylinder, 8 Row 30" on page P69</a>
14	G6801-08 GR1037	2 -	Elbow W/O-Ring, 90°, 3/4"-16 Male JIC To O-Ring O-Ring
15	G2703-08	2	Bulkhead Tee, 3/4"-16 Male JIC
16	G306-08	2	Lock Nut, 3/4"-16
17	*A1076	2	Hose Assembly, 3/8" x 30"
18	*A26936-100	2	Hose Assembly, 3/8" x 100" (08F-1/2M NPTF W/Ext, W/Tip)
19	G6500-08	2	Swivel Elbow, 90°, 3/4"-16 Male JIC To Female
20	*A1079	2	Hose Assembly, 3/8" x 24"
21	G6502-08	2	Swivel Elbow, 45°, 3/4"-16 Male JIC To Female
22	G6400-08-06 GR1045	2 -	Connector W/O-Ring, 3/4"-16 Male JIC To 9/16"-18 O-Ring O-Ring
23	---	-	<a href="#">See "Row Marker Sequencing/Flow Control Valve" on page P72</a>
24	G6500-08-06	2	Swivel Elbow, 90°, 3/4"-16 Male JIC To 9/16"-18 Female
25	G6400-08 GR1037 G6400-08-04 GR1465	2 - - -	Connector W/O-Ring, 3/4"-16 Male JIC To O-Ring O-Ring Connector W/O-Ring, 3/4"-16 Male JIC To 7/16"-20 O-Ring O-Ring
26	*A1076	1	Hose Assembly, 3/8" x 30", W/Split Row Package
27	*A3209	1	Hose Assembly, 3/8" x 170", W/Split Row Package, 8 Row 30"
28	*A1090	2	Hose Assembly, 3/8" x 162", 8 Row 30"
29	*A3114	2	Hose Assembly, 3/8" x 156", 8 Row 30"
30	*A3142 *A3147	- -	Hose Assembly, 3/8" x 30", W/Double Frame Package Hose Assembly, 3/8" x 24", W/Hitch Extensions
31	*A26947-100	2	Hose Assembly, 1/4" x 100" (08M JIC - 1/2M NPTF W/Ext, W/Tip)
32	G2403-08	-	Union, 3/4"-16 Male JIC
33	---	-	<a href="#">See "Split Row Lift Cylinder" on page P70</a>
34	G6602-08	1	Swivel Tee, 3/4"-16 JIC
35	*A3150	2-4	Hose Assembly, 3/8" x 56", W/Split Row Package
36	*A3142	1	Hose Assembly, 3/8" x 30", W/Split Row Package (Double Frame Only)
37	GA26924-01	-	Hose Label/Cover, Red (Extend)
38	GA26924-02	-	Hose Label/Cover, Red (Retract)
39	GA26924-03	-	Hose Label/Cover, Blue (Extend)
40	GA26924-04	-	Hose Label/Cover, Blue (Retract)
41	GD36866	-	Fitting, 1/2"

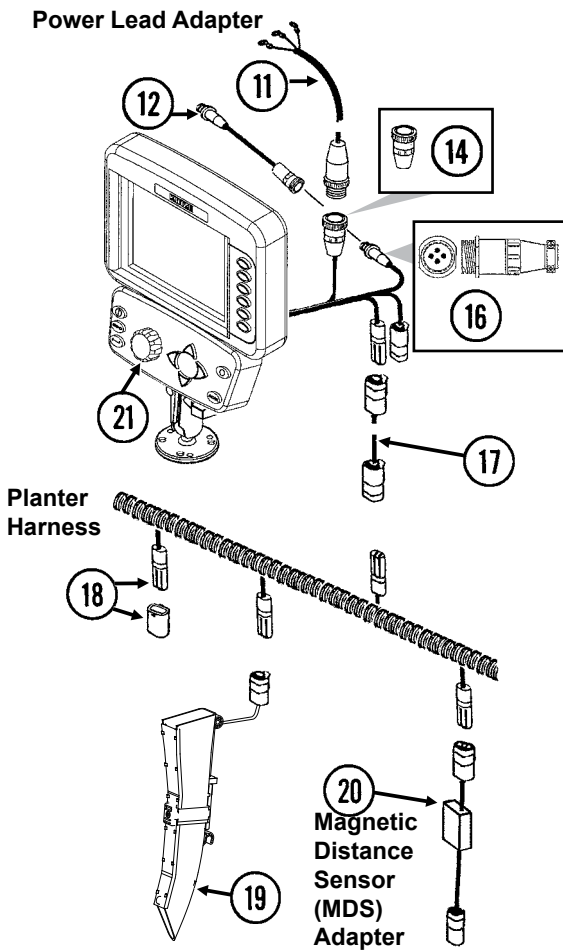
\* Hydraulic hose is not stocked by Kinze Repair Parts.

**This page left blank intentionally.**

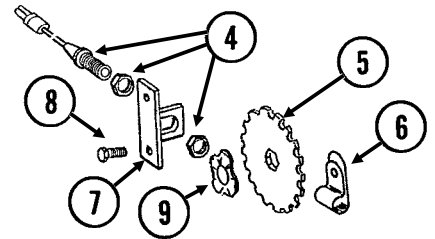
PFA052/PFA055(ELC9/A9206a/MTR27a/ELC8/PT49f)



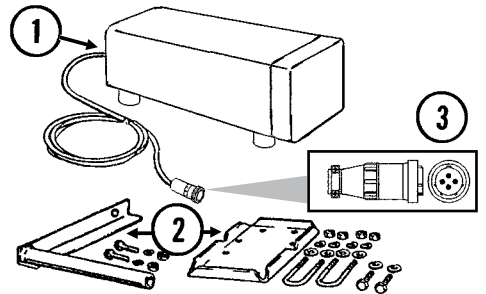
ITEM	PART NO.	QTY.	DESCRIPTION
1	G10023	2	Hex Head Cap Screw, 1/4"-20 x 3/4"
	G10110	2	Lock Nut, 1/4"-20, Grade B
2	GA9207	-	Wiring Harness W/7 Terminal Female Connector, 329", 4 Row 30" and 6 Row 30" (4 Light Connections)
	GA9206	-	Wiring Harness W/7 Terminal Female Connector, 396", 8 Row 30" (4 Light Connections)
	GA5385	-	7 Terminal Female Connector
3	G1K248	-	3-Pin Female Connector Kit (Black), Includes: (3) 3-Pin Female Housings, (9) Pin Contacts, (9) Seals
4	G1K252	-	3-Pin Male Connector Kit (Black), Includes: (3) 3-Pin Male Housings, (9) Socket Contacts, (9) Seals
5	GD11089	-	Sealing Plug
6	GA8047	-	Dust Plug (Black)
7	G10064	8-16	Hex Head Cap Screw, 1/4"-20 x 1"
	G11385	8-16	Flat Washer, 1/4" SAE
	G10110	8-16	Lock Nut, 1/4"-20, Grade B
8	G10842501	1	Single Amber Light Assembly
9	G10842301	1	Double Light Assembly
	G10842401	1	Double Light Assembly (Shown)
10	GA6823	1	Bracket, L.H. (Shown)
	GA6824	1	Bracket, R.H.
11	GD7152	1	Bracket
12	GD7145	2-4	U-Bolt, 7" x 7" x 1/2"-13
	G10228	4-8	Lock Washer, 1/2"
	G10102	4-8	Hex Nut, 1/2"-13
13	G10039	-	Hex Head Cap Screw, 1/2"-13 x 1 3/4"
	G10228	-	Lock Washer, 1/2"
	G10102	-	Hex Nut, 1/2"-13
14	GD8304	-	Bracket (Used To Mount Light Bracket When HD Single Disc Fertilizer Openers Are Used)
15	GD2199	1	SMV Sign
16	G1K321	-	2-Pin Female Connector Kit (Black), Includes: (3) 2-Pin Female Housings, (6) Pin Contacts, (6) Seals
17	G1K320	-	2-Pin Male Connector Kit (Black), Includes: (3) 2-Pin Male Housings, (6) Socket Contacts, (6) Seals



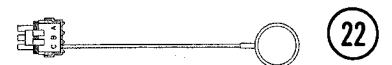
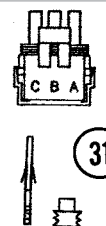
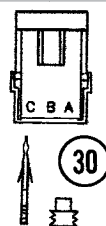
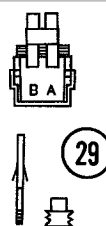
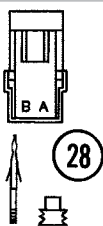
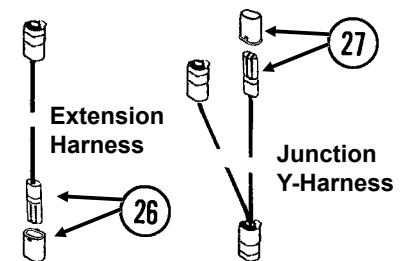
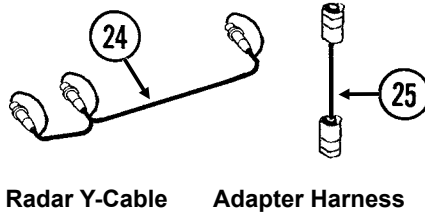
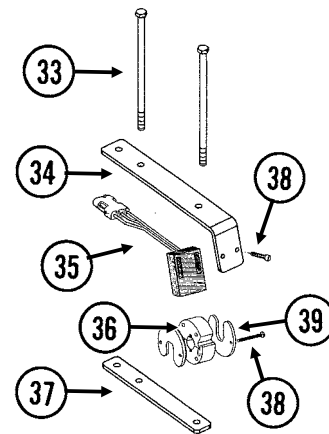
**Magnetic Distance Sensor (MDS)**



**Radar Distance Sensor**



**Shaft Rotation Sensor**



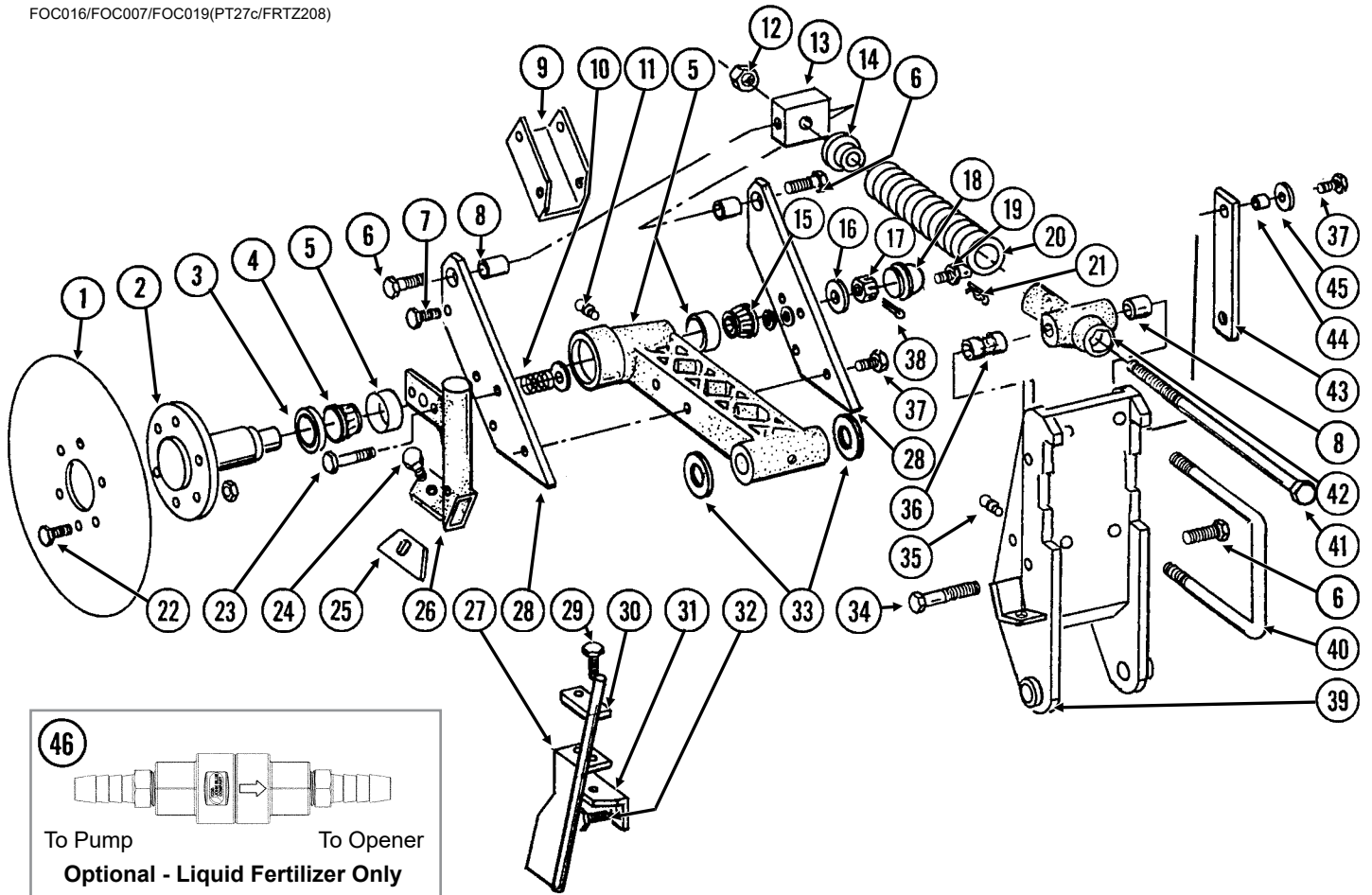
ITEM	PART NO.	QTY.	DESCRIPTION
1	GA7858	-	Radar Distance Sensor W/20' Cable
2	GA8026	-	Radar Sensor Pipe/Mounting Bracket Package
3	G1K323	-	4-Pin Connector Kit W/Female Housing, Includes: (4) Pins and (1) Cable Clamp
4	GA5600	1	Magnetic Distance Sensor
5	GD8751	-	Magnetic Distance Sensor Pulse Wheel
6	GD13348	-	Insulated Clamp, 1 $\frac{1}{8}$ "
7	GD8770	1	Bracket
8	G11124	2	Hex Serrated Flange Cap Screw, $\frac{3}{8}$ "-16 x 1"
	G10229	2	Lock Washer, $\frac{3}{8}$ "
	G10101	2	Hex Nut, $\frac{3}{8}$ "-16
9	GD8771	1	Spring Wave Washer
10	---	---	---
11	GA17547	1	Power Adapter Cable
12	GA9144	-	Monitor/Radar Adapter Cable, 10"
13	---	---	---
14	G1K268	-	Console Cable Connector Kit, Includes: (1) Cable Clamp, (1) 3-Pin Connector, (1) Lock Ring, (3) Female Terminal Pins
15	GA8046	-	Dust Plug (Black)
	GA9978	-	Dust Plug (Blue)
16	G1K322	-	4-Pin Connector Kit W/Male Housing, (4) Female Socket Contacts and (1) Cable Clamp
17	---	-	Included In Planter Wiring Harness, See Item 2, on <a href="#">page P81</a>
18	GA8021	-	Planter Harness W/Dust Caps, 4 Row (7 Connectors)
	GA8022	-	Planter Harness W/Dust Caps, 6 Row (9 Connectors) (6 Row Mechanical)
	GA7850	-	Planter Harness W/Dust Caps, 8 Row (12 Connectors) (6 Row Vacuum, 8 Row Mechanical/Vacuum)
	GB1090	-	Dust Cap (Included W/GA8021, GA8022, and GA7850)
19	G10745401	-	Seed Tube W/Computerized Sensor
	GA20902	-	Seed Tube (With Holes For Sensor Installation) (Included W/G10745401)
20	GA7859	1	Magnetic Distance Sensor Adapter (Analog To Digital)
21	G8647x	1	KPM III Backlit Console W/Brush (Item 23), Dust Plug (Item 15), Console Mounting Bracket Hardware and Power Harness
	GA12403	-	Mounting Bracket Assembly, Includes: (2) Mounting Brackets, (2) Connector Halves, (1) Compression Spring, (1) Tension Knob, (1) $\frac{1}{4}$ "-20 x 1 $\frac{3}{4}$ " Hex Head Cap Screw, (1) $\frac{1}{4}$ " Plastic Washer, (1) $\frac{1}{4}$ " Steel Washer
	GR1762	-	Console Mounting Bracket Hardware Package, Includes: (3) No. 10-32 x $\frac{5}{8}$ " Hex Socket Pan Head Plated Screw, (3) $\frac{1}{4}$ " Plated Lock Washers (Included W/G8647X)
	GA16082	-	Power Harness (Included W/G8647X)
22	GA8047	-	Dust Plug (Black)
	GA9979	-	Dust Plug (Blue)
23	---	---	---
24	GR0586	1	Radar Y-Cable (Used To Connect Radar Distance Sensor For Multiple
25	GA7857	-	Adapter Harness, 1'
26	GA7854	-	Extension Harness W/Dust Cap, 15'
	GA7855	-	Extension Harness W/Dust Cap, 30'
	GB1090	-	Dust Cap (Included W/GA7854 and GA7855)
27	GA7853	-	Junction Y-Harness W/Dust Cap
	GB1090	-	Dust Cap (Included W/GA7853)
28	G1K321	-	2-Pin Female Connector Kit (Black), Includes: (3) 2-Pin Female Housings, (6) Pin Contacts, (6) Seals
29	G1K320	-	2-Pin Male Connector Kit (Black), Includes: (3) 2-Pin Male Housings, (6) Socket Contacts, (6) Seals



ITEM	PART NO.	QTY.	DESCRIPTION
30	G1K248	-	3-Pin Female Connector Kit (Black), Includes: (3) 3-Pin Female Housings, (9) Pin Contacts, (9) Seals
	G1K362	-	3-Pin Female Connector Kit (Blue), Includes: (3) 3-Pin Female Housings, (9) Pin Contacts, (9) Seals
31	G1K252	-	3-Pin Male Connector Kit (Black), Includes: (3) 3-Pin Male Housings, (9) Pin Contacts, (9) Seals
	G1K363	-	3-Pin Male Connector Kit (Blue), Includes: (3) 3-Pin Male Housings, (9) Pin Contacts, (9) Seals
32	GD11089	-	Sealing Plug
33	G10229401	4	Hex Head Cap Screw, 3/8"-16 x 8 1/2", Grade 5
	G11387	2	Flat Washer, 3/8" SAE
	G10108	4	Lock Nut, 3/8"-16
34	GD18118	2	Shaft Sensor Mount
35	GR1415	1	Rotation Sensor
36	GR1414	1	Actuator
37	GD18168	2	Mount
38	G11960	8	Phillips Pan Head Machine Screw, No. 8-32 x 1 1/2", Stainless Steel
	G11961	8	Flat Washer, No. 8
	G11202	8	Lock Nut W/Nylon Insert, No. 8-32, Stainless Steel
39	GD11474	2	Cover
A	GA6147	-	Magnetic Distance Sensor and Mounting Package (Items 4-9)
B	GR1763	-	KPM III Loaner (Display Only)
C	GA13521	-	Shaft Sensor Mounting Pkg. (Items 33, 34, and 37-40)
D	GA13522	-	Shaft Rotation Sensor (1 Sensor, 1 Actuator) (Items 35 and 36)

**This page left blank intentionally.**

FOC016/FOC007/FOC019(PT27c/FRTZ208)



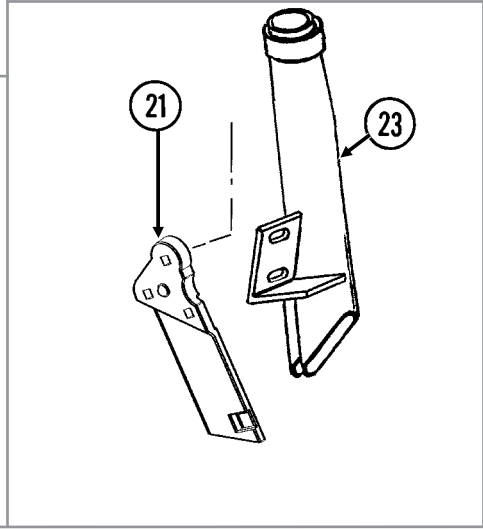
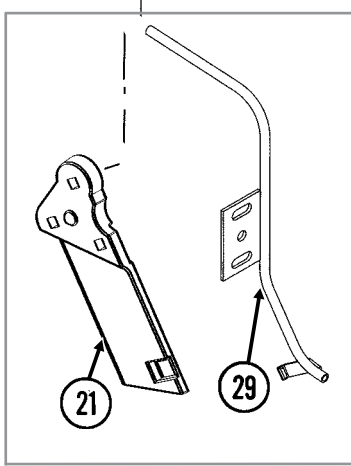
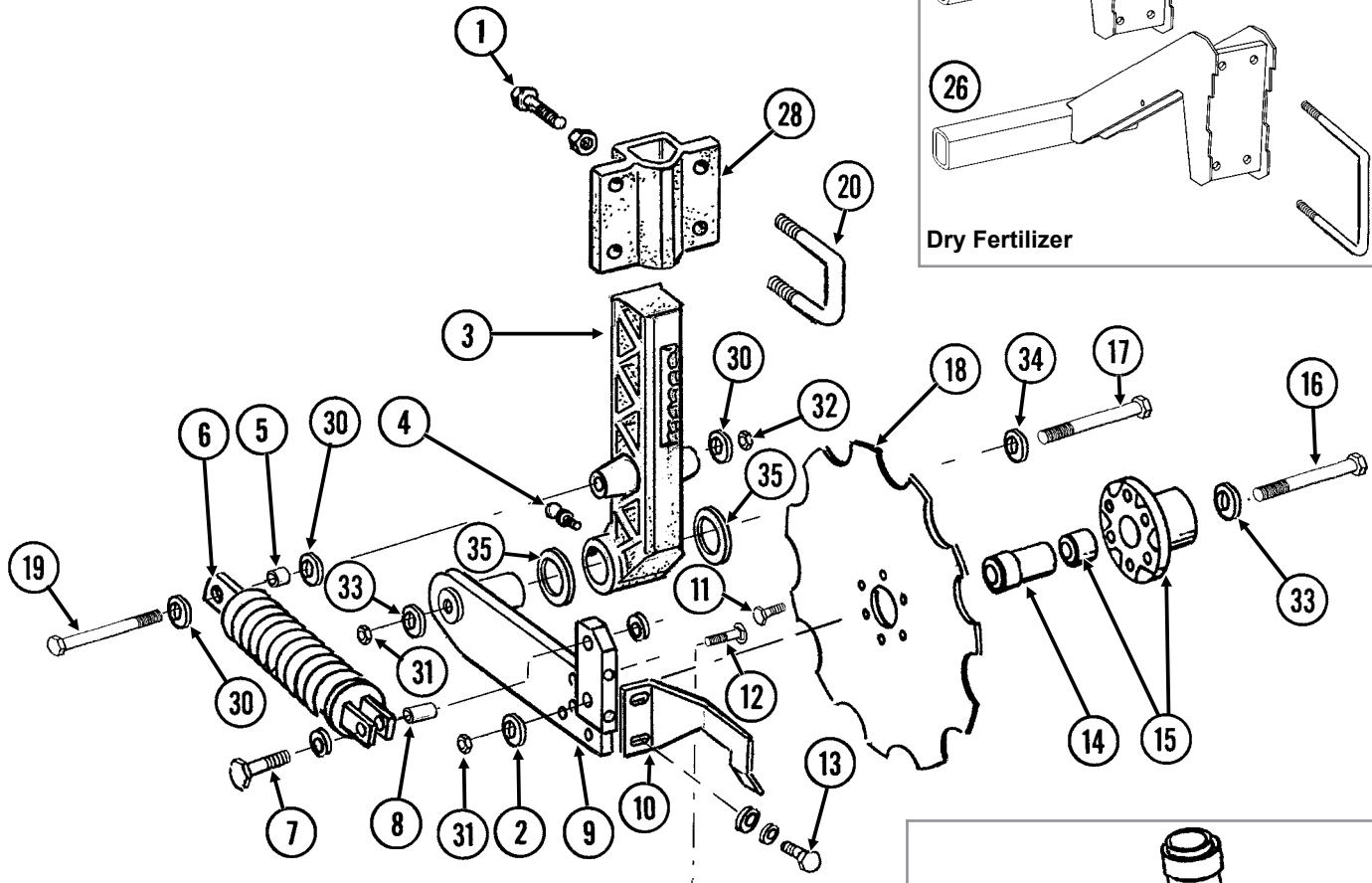
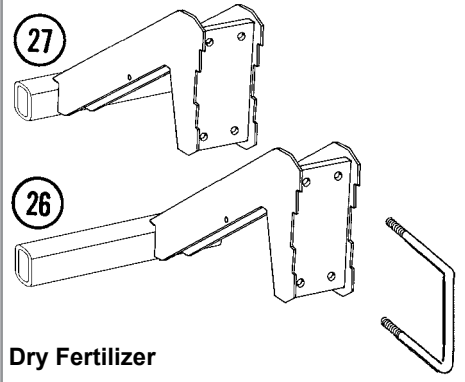
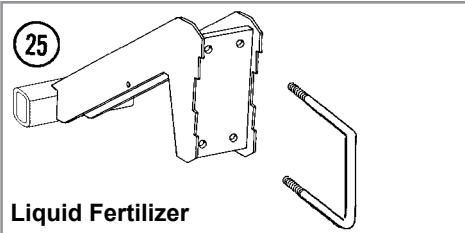
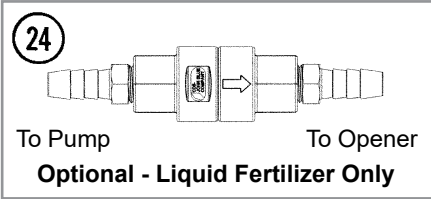
ITEM	PART NO.	QTY. (Per Assy.)	DESCRIPTION
1	GD7900 GD8247	1 -	Disc Blade, 18" Disc Blade, 20" (Optional)
2	GB0205	1	Spindle
3	GA4286	1	Seal
4	GA4287	1	Bearing
5	GA5887 GD6553 GR0188 G11391	1 - - 3	Arm W/Cups and Washers Inner Cup (Included W/GA5887) Outer Cup (Included W/GA5887) Flat Washer, 5/8" SAE (Included W/GA5887)
6	G10007	3	Hex Head Cap Screw, 5/8"-11 x 1 1/2"
7	G10001 G10108	2 2	Hex Head Cap Screw, 3/8"-16 x 1" Lock Nut, 3/8"-16
8	GB0218	3	Bushing, 2 1/32" I.D. x 7/8" O.D. x 1 9/32" Long
9	GD8238	1	Channel
10	GD7962	2	Spring
11	G10641	2	Grease Fitting, 1/8" NPT
12	G10105	3	Hex Nut, 3/4"-10
13	GD7908	1	Tap Block
14	GD34923	1	Spring Seat
15	GA0237	1	Bearing
16	G10220	1	Machine Bushing, 1 1/16", 10 Gauge

ITEM	PART NO.	QTY. (Per Assy.)	DESCRIPTION
17	G10507	1	Slotted Nut, 1"-14
18	GD1104	1	Dust Cap
19	GD8276	1	Pin
	G10237	1	Lock Washer, 7/16"
	G10100	1	Hex Nut, 7/16"-14
20	GD10273	1	Compression Spring
21	G10592	1	Hair Pin Clip, No. 11
22	G10594	6	Bolt, 1/2"-13 x 1 1/2"
	G10111	6	Lock Nut, 1/2"-13
23	G10049	2	Hex Head Cap Screw, 3/8"-16 x 2 1/2"
	G11387	2	Flat Washer, 3/8" SAE
	G10108	2	Lock Nut, 3/8"-16
24	G10599	1	Carriage Bolt, 3/8"-16 x 1 1/4"
	G11387	1	Flat Washer, 3/8" SAE
	G10229	1	Lock Washer, 3/8"
	G10101	1	Hex Nut, 3/8"-16
25	GD7912	1	Scraper
26	GB0210	-	Drop Tube, R.H., Dry Fertilizer
	GB0209	1	Drop Tube, L.H., Dry Fertilizer (Shown)
27	GA8689	1	Drop Tube, L.H., Liquid Fertilizer (Shown)
	GA8688	-	Drop Tube, R.H., Liquid Fertilizer
28	GD8224	2	Bar
29	G10004	2	Hex Head Cap Screw, 3/8"-16 x 1 1/4"
	G10229	2	Lock Washer, 3/8"
30	GD10487	1	Clamp
31	GD10304	-	Angle, R.H.
	GD10303	1	Angle, L.H. (Shown)
32	G10016	2	Hex Head Cap Screw, 1/2"-13 x 2"
	G10111	2	Lock Nut, 1/2"-13
33	G10322	-	Machine Bushing, 1 1/4", 18 Gauge (As Required)
34	G10862	1	Hex Head Cap Screw, 5/8"-11 x 3 1/4"
	G11391	2	Flat Washer, 5/8" SAE
	G10230	1	Lock Washer, 5/8"
35	G10640	1	Grease Fitting, 1/4"-28
36	GD10242	1	Bushing, 2 1/4"
37	G10039	5	Hex Head Cap Screw, 1/2"-13 x 1 3/4"
	G10111	5	Lock Nut, 1/2"-13
38	G10459	1	Cotter Pin, 3/16" x 1 1/2"
39	GA7240	-	Opener Mount, R.H.
	GA7239	1	Opener Mount, L.H. (Shown)
40	GD1114	2	U-Bolt, 7" x 7" x 5/8"-11 (8 1/2" Long)
	GD14559	-	U-Bolt, 7" x 7" x 5/8"-11 (9" Long)
	G10230	4	Lock Washer, 5/8"
	G10104	4	Hex Nut, 5/8"-11
41	GD7907	1	Special Bolt
42	GB0206	1	Rod Guide
43	GD8239	1	Storage Strap
44	GD7904-02	1	Sleeve, 1/2" x 1/2" Long
45	G11389	3	Flat Washer, 1/2" SAE
46	GA15416	-	Check Valve, Low Rate

**This page left blank intentionally.**

FOC018(TWL34e/TWL34f/TWL34g/FRTZ268/FRTZ208)

**NOTE: R.H. and L.H. is determined by which side of blade it is on in the direction of travel.**



ITEM	PART NO.	QTY. (Per Assy.)	DESCRIPTION
1	G10017	3	Hex Head Cap Screw, 1/2"-13 x 1 1/2"
	G10102	3	Hex Nut, 1/2"-13
2	GD12677	1	Washer, 1 1/2" O.D., 7 Gauge, Hardened
3	GB0296	1	Arm, 13 1/2"
4	G10640	1	Grease Fitting, 1/4"-28
5	GD12685	1	Bushing, 3/4" O.D. x 1/2" Long
6	GA6966	1	Compression Spring Assembly
7	G10047	1	Hex Head Cap Screw, 3/8"-16 x 1 3/4"
	G11387	2	Flat Washer, 3/8" SAE
	G10108	1	Lock Nut, 3/8"-16
8	GD1026	1	Sleeve, 1 3/16" Long
9	GA9433	1	Pivot Arm, L.H. (Shown)
	GA9434	-	Pivot Arm, R.H.
10	GD11557	1	Scraper, L.H. (Shown)
	GD11558	-	Scraper, R.H.
11	G10002	6	Hex Head Cap Screw, 3/8"-16 x 3/4"
12	G10306	3	Carriage Bolt, 3/8"-16 x 2"
	G10108	3	Lock Nut, 3/8"-16
13	G10991	2	Hex Head Cap Screw, 5/16"-18 x 7/8"
	G10232	2	Lock Washer, 5/16"
	G11386	6	Flat Washer, 5/16" SAE
14	GD12679	1	Stepped Spacer, 3" Long
15	GA9437	1	Hub W/Bearing
	GA8603	-	Bearing, Double Row (Included W/GA9437)
16	G10011	1	Hex Head Cap Screw, 5/8"-11 x 5 1/2"
17	G10046	1	Hex Head Cap Screw, 5/8"-11 x 5"
18	GD12676	1	Disc Blade, Notched, 16 3/4"
19	G10871	1	Hex Head Cap Screw, 1/2"-13 x 6"
20	GD13287	2	U-Bolt, 1 1/2" x 2 1/2" x 1/2"-13
	G11389	4	Flat Washer, 1/2" Plated SAE
	G10111	4	Lock Nut, 1/2"-13
21	GB0323	1	Knife, L.H. (Shown)
	GB0322	-	Knife, R.H.
22	---	---	---
23	GA10047	1	Drop Tube, L.H., Dry Fertilizer
	GA10048	-	Drop Tube, R.H., Dry Fertilizer (Shown)
24	GA15416	-	Check Valve, Low Rate
25	GA9564	1	Opener Mount
	GD1113	2	U-Bolt, 5" x 7" x 5/8"-11
	G10230	4	Lock Washer, 5/8"
	G10104	4	Hex Nut, 5/8"-11
26	GA9819	1	Opener Mount
	GD1113	2	U-Bolt, 5" x 7" x 5/8"-11
	G10230	4	Lock Washer, 5/8"
	G10104	4	Hex Nut, 5/8"-11
27	GA9820	1	Opener Mount
	GD1113	2	U-Bolt, 5" x 7" x 5/8"-11
	G10230	4	Lock Washer, 5/8"
	G10104	4	Hex Nut, 5/8"-11
28	GB0405	1	Mount, L.H.
	GB0400	-	Mount, R.H. (Shown)
29	GA12108	1	Drop Tube, Liquid Fertilizer (Shown)
	GA12109	-	Drop Tube, Liquid Fertilizer
30	G11389	-	Flat Washer, 1/2" Plated SAE

Continued on next page.

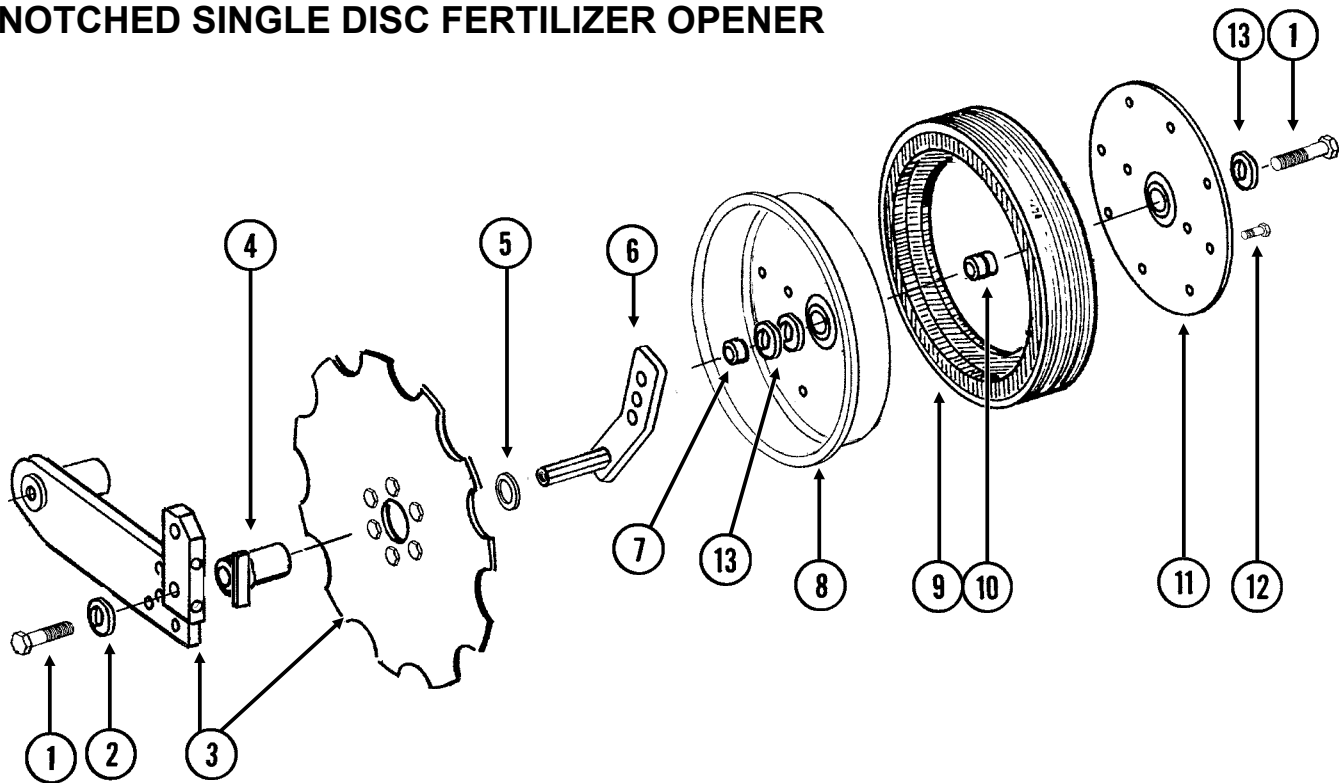
---

ITEM	PART NO.	QTY. (Per Assy.)	DESCRIPTION
31	G10107	-	Lock Nut, 5/8"-11
32	G10111	-	Lock Nut, 1/2"-13
33	G11391	-	Flat Washer, 5/8" SAE
34	G10217	-	Washer, 5/8" USS
35	G10450	-	Machine Bushing, 1 1/2", 18 Gauge (As Required)



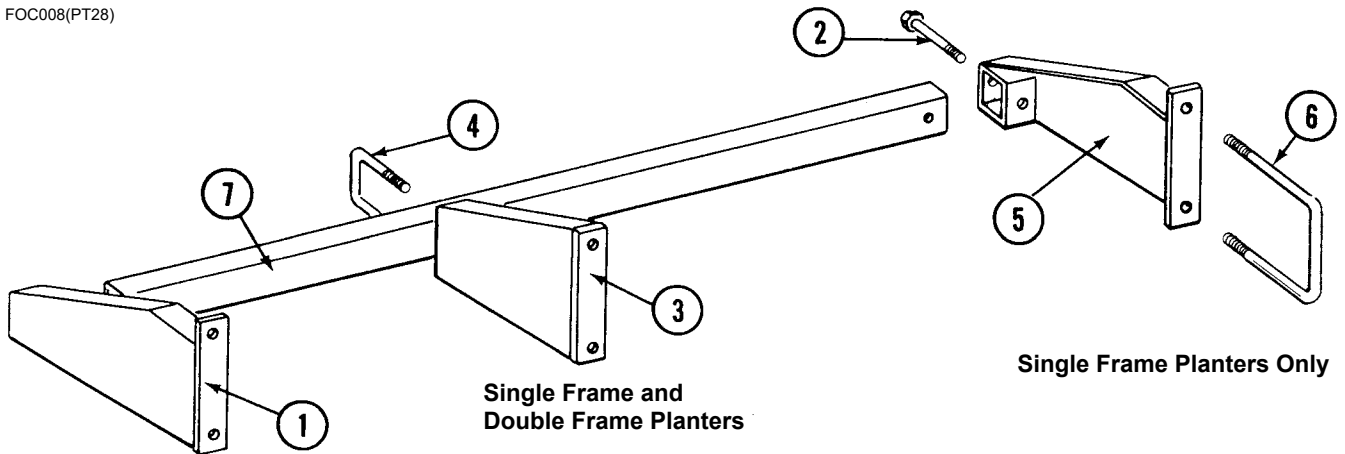
**This page left blank intentionally.**

(FRTZ256)

**FOR USE WITH  
NOTCHED SINGLE DISC FERTILIZER OPENER**

ITEM	PART NO.	QTY. (Per Assy.)	DESCRIPTION
1	G10010	2	Hex Head Cap Screw, 5/8"-11 x 3"
2	G11391	1	Flat Washer, 5/8" SAE
3	---	-	<a href="#">See "Notched Single Disc Fertilizer Opener" on page P90</a>
4	GA9472	1	Blade Mount
5	G10233	1	Machine Bushing, 1", 10 Gauge
6	GA10037	1	Wheel Mount, L.H. (Shown)
	GA10036	1	Wheel Mount, R.H.
7	GD13309	1	Spacer
8	GD31466	1	Half Wheel
9	GD11953	1	Offset Tire
10	GA6171	1	Bearing
11	GD26598	1	Half Wheel Cover, Black
12	G10961	11	Flanged Whiz Lock Screw, 5/16"-18 x 3/4", No Serration
	G10620	11	Serrated Flange Nut, 5/16"-18
13	G10397801	-	Special Machine Bushing, 5/8" x 1" O.D. (As Required)
A	GA18311	-	Gauge Wheel Complete (Items 8-12)
B	G9881X	-	Depth/Gauge Wheel Package (Items 1-13)

FOC008(PT28)



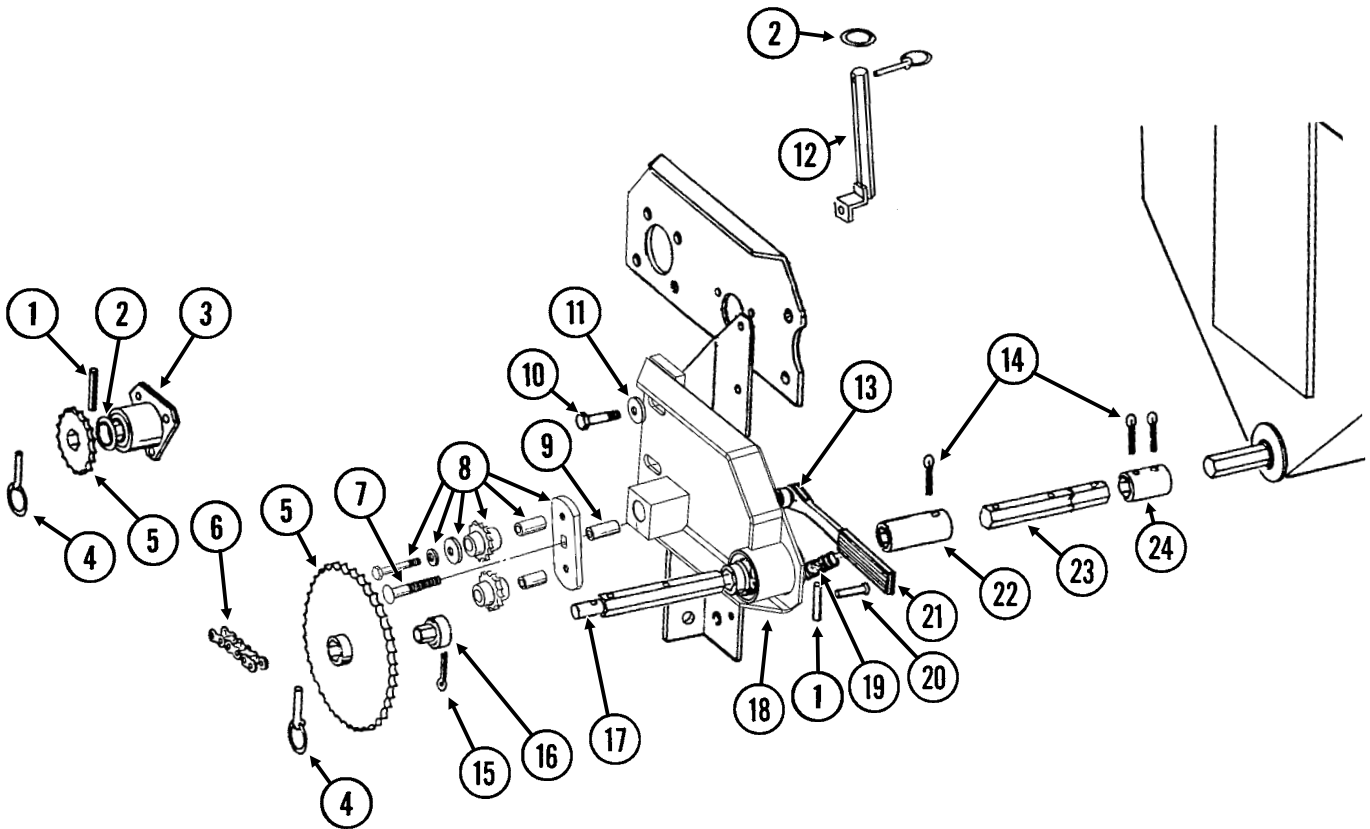
Single Frame Planters Only

Single Frame and Double Frame Planters

Single Frame Planters Only

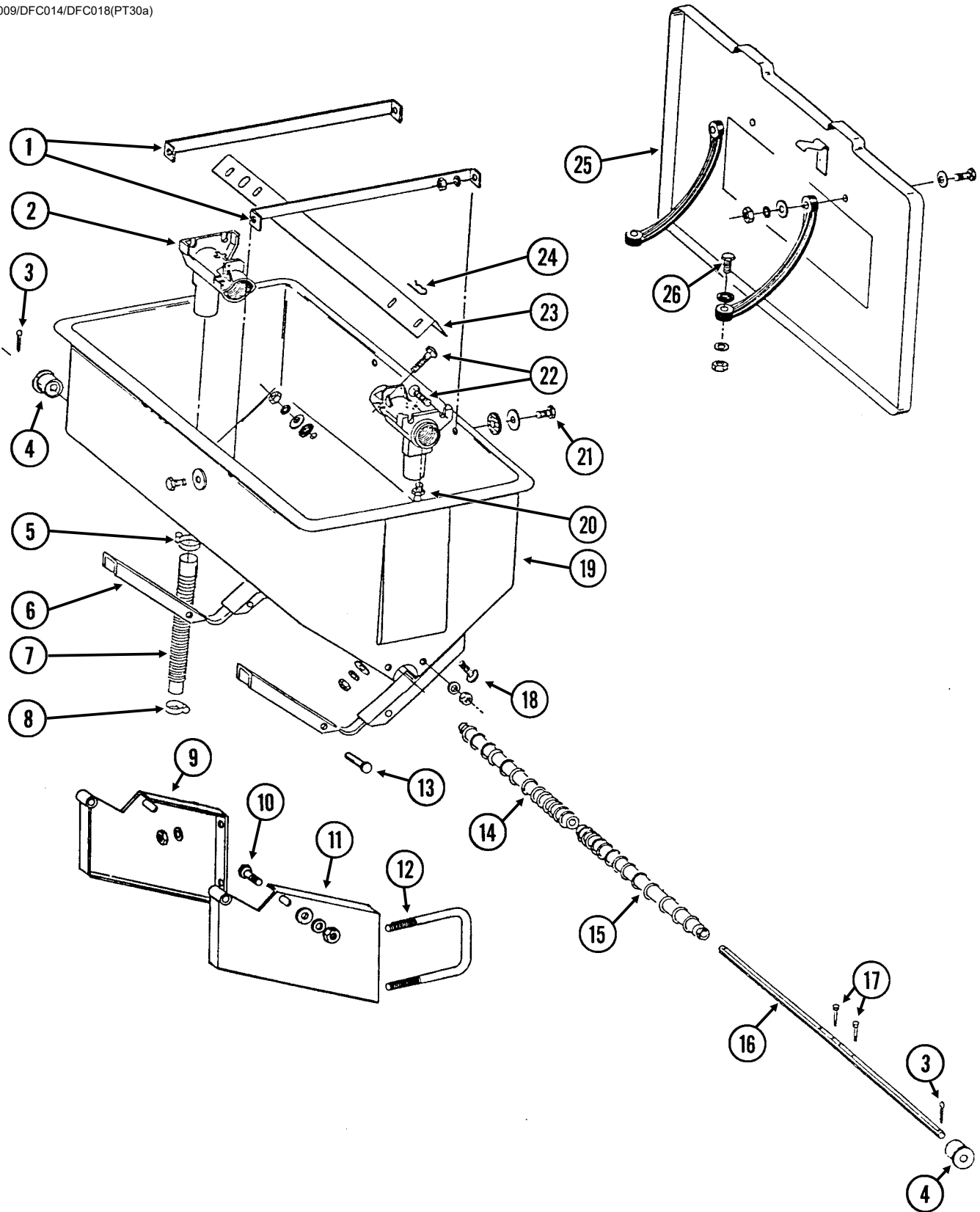
ITEM	PART NO.	QTY.	DESCRIPTION
1	GA5231	1	Support, L.H., Single Frame Planters Only
2	G10035	2	Hex Head Cap Screw, 1/2"-13 x 4"
	G10228	2	Lock Washer, 1/2"
	G10102	2	Hex Nut, 1/2"-13
3	GA5237	1	Support, 19" Long, L.H. (Shown), 8 Row 30" Single Frame Planters
	GA5236	1	Support, 19" Long, R.H., 8 Row 30" Single Frame Planters
	GA9431	1	Support, 18 1/8" Long, L.H., 8 Row 30" Double Frame Planters
	GA9430	1	Support, 18 1/8" Long, R.H., 8 Row 30" Double Frame Planters
4	GD1138	2	U-Bolt, 2 1/2" x 2 1/2" x 1/2"-13
	G10228	4	Lock Washer, 1/2"
	G10102	4	Hex Nut, 1/2"-13
5	GA5230	1	Support, R.H., Single Frame Planters Only
6	GD1114	2	U-Bolt, 7" x 7" x 5/8"-11
	G10230	4	Lock Washer, 5/8"
	G10104	4	Hex Nut, 5/8"-11
7	GD1685-14	1	Toolbar, 2 1/2" x 2 1/2" x 105", 4 Row 30"
	GD1685-13	-	Toolbar, 2 1/2" x 2 1/2" x 165", 6 Row 30"
	GD1685-16	-	Toolbar, 2 1/2" x 2 1/2" x 225", 8 Row 30"
A	G6795X	-	Support Bundle (Items 1, 2, 4, 5 and 6)

(PT29f)



ITEM	PART NO.	QTY.	DESCRIPTION
1	G10602	2	Spring Pin, 1/4" x 1 1/2"
2	G10233	2	Machine Bushing, 1", 10 Gauge
3	GA5223	1	Spacer W/Bearing
	GA5116	-	Bearing, 7/8" Hex Bore, Cylindrical (Included W/GA5116)
4	GD2558	3	Lynch Pin, 1/4"
5	GA5105	1	Sprocket, 15 Tooth
	GA5107	1	Sprocket, 19 Tooth
	GA5114	1	Sprocket, 30 Tooth
	GA5115	1	Sprocket, 33 Tooth
	GA6337	1	Sprocket, 35 Tooth
6	G3310-98	1	Chain, No. 40, 98 Pitch Including Connector Link
	GR0912	-	Connector Link, No. 40
7	G10419	1	Carriage Bolt, 1/2"-13 x 4 1/2"
	G10111	1	Lock Nut, 1/2"-13
8	GA7336	1	Idler W/Bolt-On Sprockets
	GD7426	-	Sprocket, 12 Tooth (Included W/GA7336)
	GD1026	-	Sleeve, 1 3/16" Long (Included W/GA7336)
	G11387	-	Flat Washer, 3/8" SAE (Included W/GA7336)
	G10229	-	Lock Washer, 3/8" (Included W/GA7336)
	G10047	-	Hex Head Cap Screw, 3/8"-16 x 1 3/4" (Included W/GA7336)
9	GD3180-17	1	Sleeve, 5/8" I.D. x 7/8" O.D. x 2 5/16" Long
10	G10053	2	Hex Head Cap Screw, 1/2"-13 x 2 1/2"
	G10585	1	Hex Head Cap Screw, 1/2"-13 x 3 1/4"
	G10033	1	Hex Head Cap Screw, 1/2"-13 x 3 1/2"
	G10016	2	Hex Head Cap Screw, 1/2"-13 x 2"
	G10228	2	Lock Washer, 1/2"
	G10102	2	Hex Nut, 1/2"-13
11	G11389	2	Flat Washer, 1/2" Plated SAE
12	GA7313	1	Sprocket Storage Rod
13	GD10161	1	Spacer, 3/8"
14	G10460	-	Cotter Pin, 1/4" x 2"
15	G10821	1	Clevis Pin, 3/16" x 2"
	G10455	-	Cotter Pin, 1/16" x 1/2"
16	GD7127	1	Shear Coupler
17	GD7870	1	Shaft, 7"
18	GA21798	1	Plate W/Bearings and Grease Fitting
	GA5116	-	Bearing, 7/8" Hex Bore, Cylindrical (Included W/GA21798)
	GA5624	-	Special Bearing, 7/8" Hex Bore x 1.6" (Included W/GA21798)
	G10640	-	Grease Fitting, 1/4"-28 (Included W/GA21798)
19	GD5857	1	Spring
20	G10408	1	Clevis Pin, 5/16" x 3/4"
	G10409	1	Retaining Ring, 5/16"
21	GA4235	1	Ratchet Arm W/Protective Closure
	G10445	-	Protective Closure
22	GD7867	-	Coupler, 3", 4 Row 36"/38" and 6 Row 36"/38" Only
23	GD7871	-	Hex Shaft, 7/8" x 6" (3 Holes), 4 Row 36"/38" and 6 Row 36"/38" Only
24	GD5886	-	Coupler, 1 3/4"

DFC009/DFC014/DFC018(PT30a)



## Dry Fertilizer Hopper and Mounts

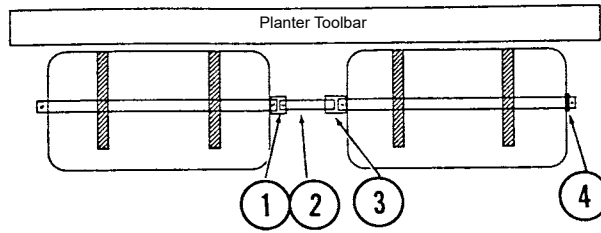
Model 3005

M0298-02

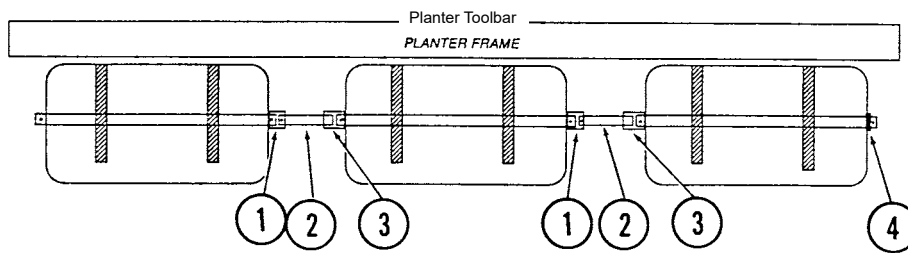
ITEM	PART NO.	QTY. (Per Hopper)	DESCRIPTION
1	GD1209	2	Strap
2	GD1200	2	Outlet Housing
3	G10460	2	Cotter Pin, 1/4" x 2"
4	GB0200	2	Bearing
5	G10676	2	Hose Clamp, No. 36, Stainless Steel
6	GA5652	2	Saddle
7	GD21398	2	Rubber Tube
8	G10672	2	Hose Clamp, No. 28
9	GA0864	1	Hopper Mount, R.H.
10	G10037	2	Hex Head Cap Screw, 1/2"-13 x 1 1/4"
	G11389	2	Flat Washer, 1/2" SAE
	G10228	2	Lock Washer, 1/2"
	G10102	2	Hex Nut, 1/2"-13
11	GA0863	1	Hopper Mount, L.H.
12	GD1114	2	U-Bolt, 7" x 7" x 5/8"-11
	G10177	-	Hex Head Cap Screw, 5/8"-11 x 9 1/2"
	G10230	4	Lock Washer, 5/8"
	G10104	4	Hex Nut, 5/8"-11
13	G10561	2	Clevis Pin, 1/2" x 3"
	G10451	2	Cotter Pin, 1/8" x 1"
14	GB0198	1	Auger, R.H.
15	GB0199	1	Auger, L.H.
16	GD7848	1	Shaft
17	G10587	2	Hex Head Cap Screw, 1/4"-20 x 2", Stainless Steel
	G10588	2	Hex Nut, 1/4"-20, Stainless Steel
18	G10303	8	Carriage Bolt, 5/16"-18 x 1"
	G10201	8	Special Washer, 3/8" x 1 1/2" O.D.
	GD1213	8	Rubber Washer
	G10232	8	Lock Washer, 5/16"
	G10106	8	Hex Nut, 5/16"-18
19	GD1379	1	Hopper
20	G10640	2	Grease Fitting, 1/4"-28
21	G10171	4	Hex Head Cap Screw, 5/16"-18 x 1 1/4"
	G10201	4	Special Washer, 3/8" x 1 1/2" O.D.
	GD1213	4	Rubber Washer
	G10232	4	Lock Washer, 5/16"
	G10106	4	Hex Nut, 5/16"-18
22	G10303	8	Carriage Bolt, 5/16"-18 x 1"
	G11386	8	Flat Washer, 5/16" SAE
	G10232	8	Lock Washer, 5/16"
	G10106	8	Hex Nut, 5/16"-18
23	GD1207	1	Baffle
24	G10670	2	Hair Pin Clip, No. 3
25	GA0898	1	Lid W/Retainers, Clips, Rivets, Rubber Straps and Hardware
	GD1380	-	Front Clip (Included W/GA0898)
	GD2412	-	Rear Retainer (Included W/GA0898)
	G10655	-	Rivet, 3/16" x 1 3/32" (Included W/GA0898)
	GD1210	-	Rubber Strap (Included W/GA0898)
	G10171	-	Hex Head Cap Screw, 5/16"-18 x 1 1/4" (Included W/GA0898)
	G11386	-	Flat Washer, 5/16" SAE (Included W/GA0898)
	G10232	-	Lock Washer, 5/16" (Included W/GA0898)
	G10106	-	Hex Nut, 5/16"-18 (Included W/GA0898)
26	G10133	2	Hex Head Cap Screw, 5/16"-18 x 1 1/2"
	G11386	2	Flat Washer, 5/16" SAE
	G10232	2	Lock Washer, 5/16"
	G10106	2	Hex Nut, 5/16"-18
A	GA5666	-	Hopper Sub-Assembly (Items 2,6,18,19, 22 and 24)
B	GA5667	-	Hopper Hardware Box (Items 1, 3, 4, 14-17, 21, 23 and 26)

RH101190(PT31/PT32/PT33/PT34/PT35)

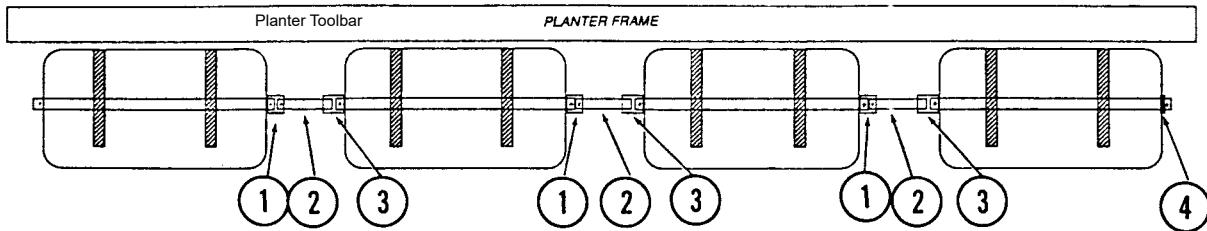
**4 Row 30"**



**6 Row 30"**



**8 Row 30"**

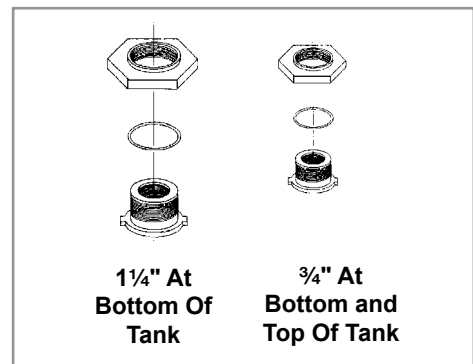
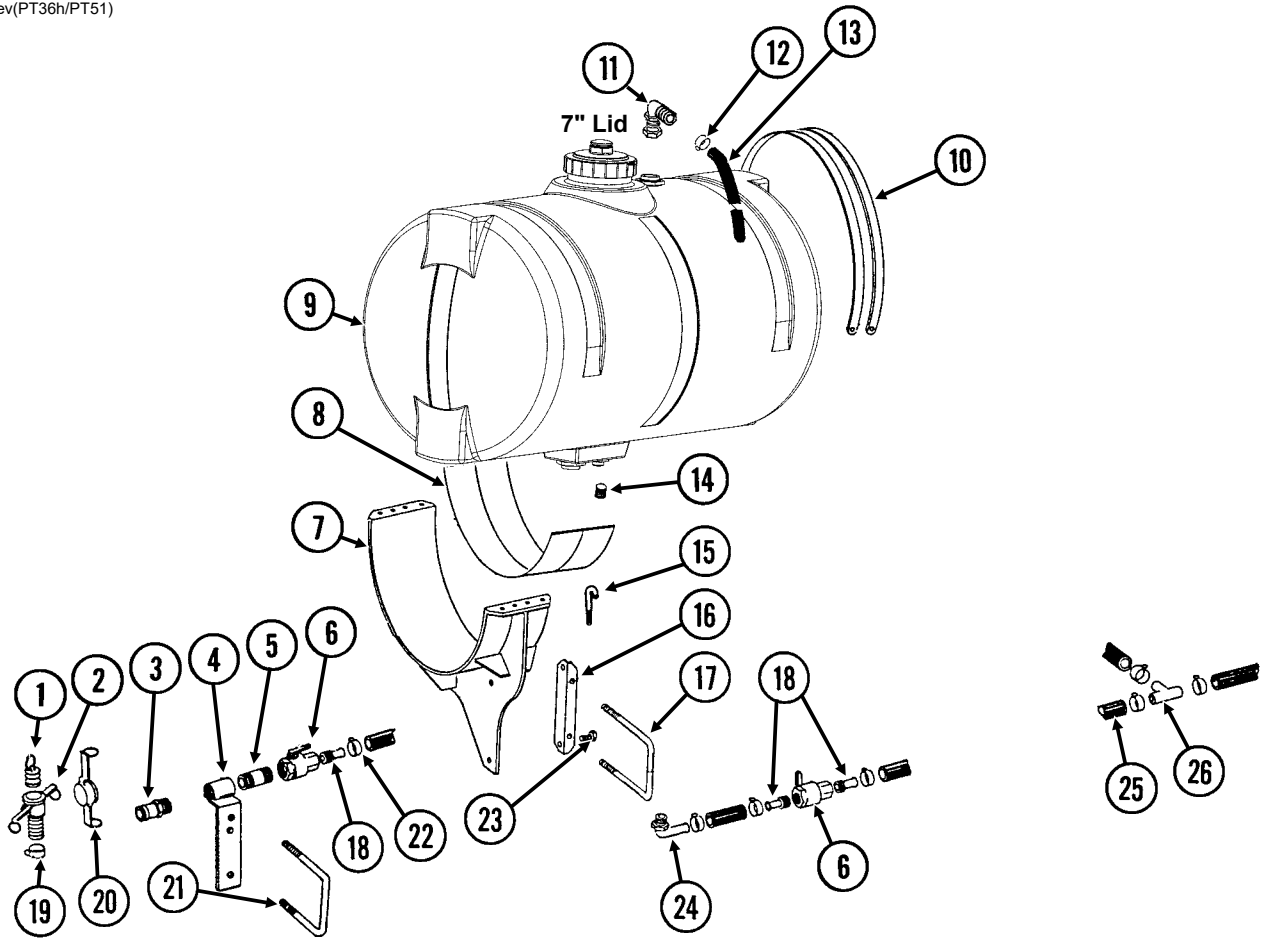




---

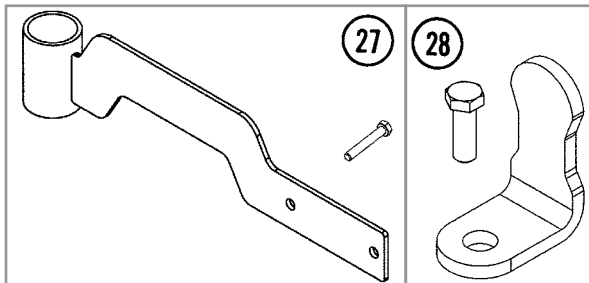
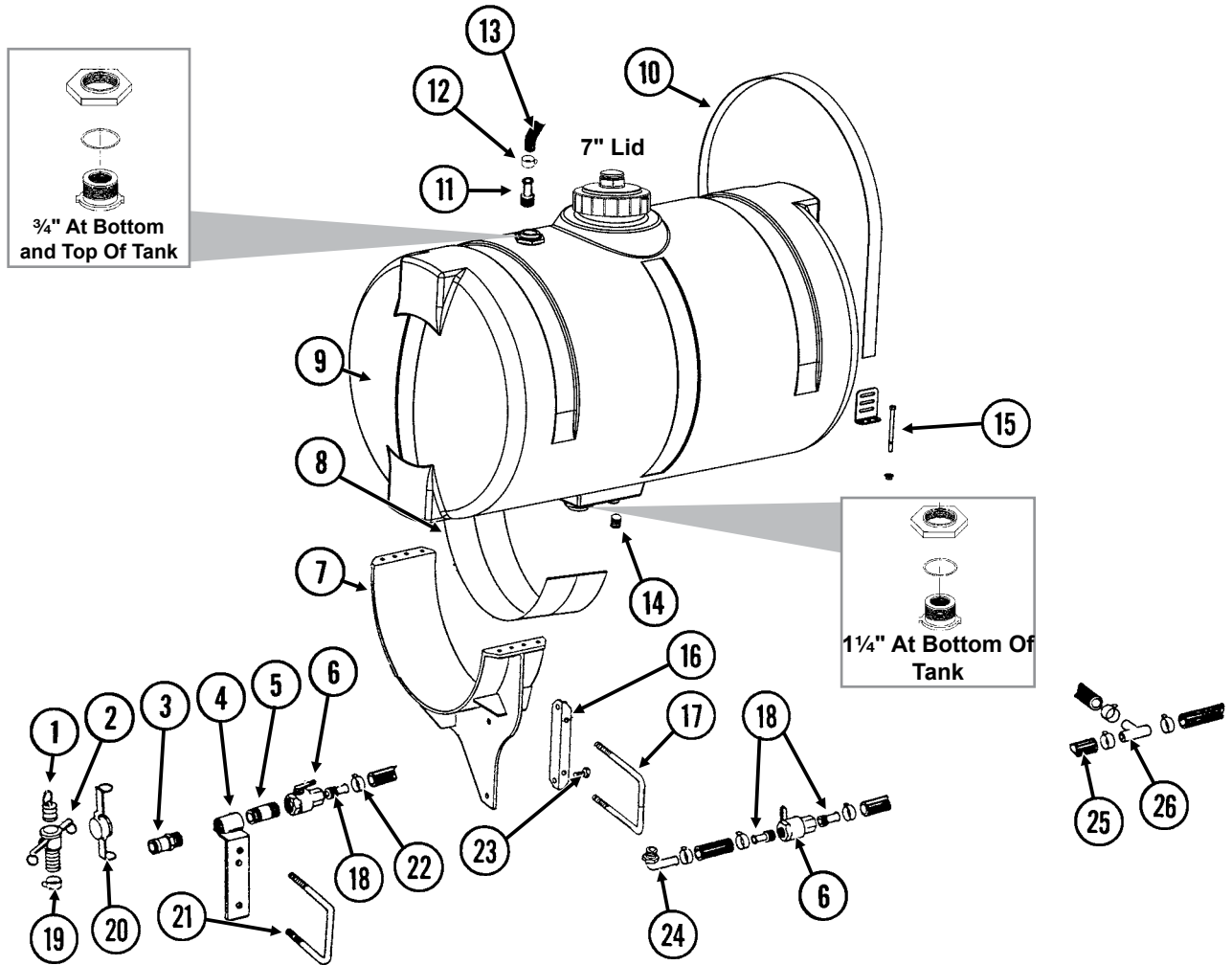
ITEM	PART NO.	QTY.	DESCRIPTION
1	GD5886	-	Coupler, 1 $\frac{3}{4}$ "
2	GD2548-15.5	-	Hex Shaft, 7 $\frac{1}{8}$ " x 15 $\frac{1}{2}$ " (1 Hole)
3	GD7867	-	Coupler, 3"
4	G10233	2	Machine Bushing, 1", 10 Gauge

LFC012rev(PT36h/PT51)



ITEM	PART NO.	QTY.	DESCRIPTION
1	GD1517	1	Dust Plug, 1/4" Male Cam Lock
2	GD1516	1	Adapter, 1/4" Barb To Female Cam Lock
3	GD1514	1	Adapter, 1/4" Male NPT To Cam Lock
4	GA5917	1	Quick Fill Mount
5	G10619	1	Close Nipple, 1/4" NPT
6	GA4976	-	Shutoff Valve, 1/4" NPT
	GR1015	-	Body O-Ring (Included W/GA4976)
	GR1016	-	Stem O-Ring (Included W/GA4976)
	GR1017	-	Teflon Seat (Included W/GA4976)
	GR1018	-	Ball (Included W/GA4976)
	GR1019	-	Handle (Included W/GA4976)
7	GA7375	-	Tank Mount (2 Per Tank)
8	GD1862	-	Pad, 8" x 14" (For Two 30" Tanks)
9	G10856502	-	Tank W/Lid and Fittings, 30" x 150 Gallon, 4 Row
	GA16428	-	Lid W/Vent, 7" (Top Of Tank) (Included W/GA14049)
	GR1708	-	3/4" Polypropylene Fitting Assembly (Overflow Fitting, Nut, Bushing, and O-Ring) (Top and Bottom Of Tank) (Included W/GA14049)
	GR1709	-	1 1/4" Polypropylene Fitting Assembly (Nut, Bushing, and O-Ring) (Bottom Of Tank) (Included W/GA14049)
	GR1941	-	Seal (Included W/GA14049)
10	GD1520	-	Band, 30"
11	G10917	2	Elbow, 90°, 3/4" NPT To Barb
12	G10278	2	Hose Clamp, No. 16
13	G4205-12	1	Hose, 3/4" x 144"
14	G10096	-	Pipe Plug, 3/4" NPT
15	GD1337	-	J-Bolt, 5/16"-18
	G11182	-	Lock Nut W/Nylon Insert, 5/16"-18
16	GD10110	-	Mounting Angle (2 Per Tank)
17	GD1748	-	U-Bolt, 7" x 7" x 3/4"-10
	G10231	-	Lock Washer, 3/4"
	G10105	-	Hex Nut, 3/4"-10
18	G10626	-	Adapter, 1/4" NPT To Barb
19	G10672	1	Hose Clamp, No. 28
20	GD1515	1	Dust Cap, 1/4" Cam Lock
21	GD7145	1	U-Bolt, 7" x 7" x 1/2"-13
	GD11721	1	U-Bolt, 5" x 7" x 1/2"-13
	G10228	2	Lock Washer, 1/2"
	G10102	2	Hex Nut, 1/2"-13
22	G10674	-	Hose Clamp, No. 24
23	G10007	-	Hex Head Cap Screw, 5/8"-11 x 1 1/2"
	G10230	-	Lock Washer, 5/8"
	G10104	-	Hex Nut, 5/8"-11
24	G10629	-	Elbow, 90°, 1/4" NPT To Barb
25	G4200-01	1	Hose, 1/4" x 22', 4 Row
26	G10633	-	Tee, 1/4" Barb

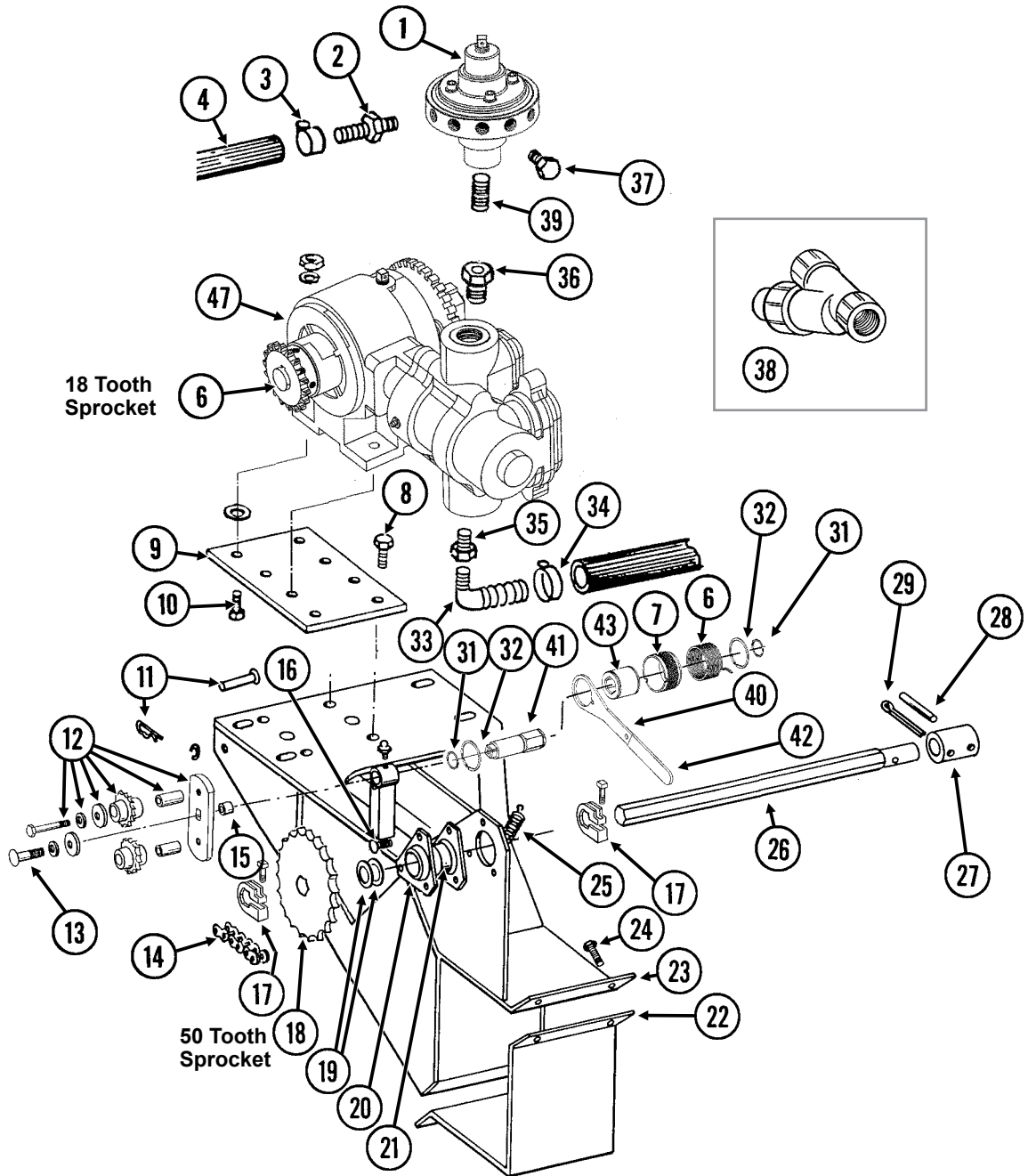
LFC012rev(PT36i/PT51)



ITEM	PART NO.	QTY.	DESCRIPTION
1	GD1517	1	Dust Plug, 1¼" Male Cam Lock
2	GD1516	1	Adapter, 1¼" Barb To Female Cam Lock
3	GD1514	1	Adapter, 1¼" Male NPT To Cam Lock
4	GA5917	1	Quick Fill Mount
5	G10619	1	Close Nipple, 1¼" NPT
6	GA4976	-	Shutoff Valve, 1¼" NPT
	GR1015	-	Body O-Ring (Included W/GA4976)
	GR1016	-	Stem O-Ring (Included W/GA4976)
	GR1017	-	Teflon Seat (Included W/GA4976)
	GR1018	-	Ball (Included W/GA4976)
	GR1019	-	Handle (Included W/GA4976)
7	GA7375	-	Tank Mount (2 Per Tank)
8	GD1862	-	Pad, 8" x 14' (For Two 30" Tanks)
9	G10856502	-	Tank W/Lid and Fittings, 30" x 150 Gallon, 6 and 8 Row
	GA16428	-	Lid, 7" (Included W/GA14049)
	GR1941	-	Lid Seal (Included W/GA14049)
	GR1708	-	¾" Polypropylene Fitting Assembly (Overflow Fitting, Nut, Bushing, and O-Ring) (Top and Bottom Of Tank) (Included W/GA14049)
	GR1709	-	1¼" Polypropylene Fitting Assembly (Nut, Bushing, and O-Ring) (Bottom Of Tank) (Included W/GA14049)
10	GD11124	-	Strap, 84"
11	G10626	2	Adapter, 1¼" NPT To Barb
12	G10674	2	Hose Clamp, No. 24
13	G4602-01	1	Black Helix Hose, 1¼" x 18'
14	G10096	-	Pipe Plug, ¾" NPT
15	G10485	-	Hex Head Tap Bolt, ⅜"-16 x 5"
	G10901	-	Lock Nut, ⅜"-16
16	GD10110	-	Mounting Angle (2 Per Tank)
17	GD1748	-	U-Bolt, 7" x 7" x ¾"-10
	G10231	-	Lock Washer, ¾"
	G10105	-	Hex Nut, ¾"-10
18	G10626	-	Adapter, 1¼" NPT To Barb
19	G10672	1	Hose Clamp, No. 28
20	GD1515	1	Dust Cap, 1 ¼" Cam Lock
21	GD7145	1	U-Bolt, 7" x 7" x ½"-13
	GD11721	1	U-Bolt, 5" x 7" x ½"-13
	G10228	2	Lock Washer, ½"
	G10102	2	Hex Nut, ½"-13
22	G10674	-	Hose Clamp, No. 24
23	G10007	-	Hex Head Cap Screw, ⅝"-11 x 1½"
	G10230	-	Lock Washer, ⅝"
	G10104	-	Hex Nut, ⅝"-11
24	G10629	-	Elbow, 90°, 1¼" NPT To Barb
25	G4200-02	-	Hose, 1¼" x 27', 6 Row
	G4200-03	-	Hose, 1¼" x 32', 8 Row
26	G10633	-	Tee, 1¼" Barb
27	GA14112	-	Hose Guide
	G10004	-	Hex Head Cap Screw, ⅜"-16 x 1¼"
	G11091	-	Serrated Flange Nut, ⅜"-16
28	GD20060	-	Hose Bracket
	G10004	-	Hex Head Cap Screw, ⅜"-16 x 1¼"
	G11091	-	Serrated Flange Nut, ⅜"-16
29	GD11123	-	Anchor

(FRTZ269)

### 50 Tooth Drive Sprocket and 18 Tooth Driven Sprocket



## Liquid Fertilizer Piston Pump Drive

Model 3005

M0298-02

ITEM	PART NO.	QTY.	DESCRIPTION
1	---	-	<a href="#">See "Liquid Fertilizer Piston Pump Flow Divider" on page P112</a>
2	GD11700	-	Adapter, 1/4" NPT To 3/8" Barb
3	G10681	-	Hose Clamp, No. 6
4	G4301-01	1	Hose, 3/8" x 30', 4 Row
	G4301-03	-	Hose, 3/8" x 60', 6 Row
	G4301-04	-	Hose, 3/8" x 100', 8 Row
5	---	-	<a href="#">See "Liquid Fertilizer Piston Pump Uses 18 Tooth Sprocket" on page P110</a>
6	GD14413	1	Torsion Spring, L.H. (Used On R.H. Wrap Spring Wrench)
7	GD19343	1	Release Collar, R.H.
8	G10004	4	Hex Head Cap Screw, 3/8"-16 x 1 1/4"
	G10229	4	Lock Washer, 3/8"
	G10101	4	Hex Nut, 3/8"-16
9	GD11180	1	Plate
10	G10003	4	Hex Head Cap Screw, 3/8"-16 x 1 1/2"
	G11387	4	Flat Washer, 3/8" SAE
	GR1122	4	Mounting Pad
	G10229	4	Lock Washer, 3/8"
	G10101	4	Hex Nut, 3/8"-16
11	G10478	1	Clevis Pin, 5/16" x 1"
	G10409	1	Retaining Ring, 5/16"
	G10670	1	Hair Pin Clip, No. 3
12	GA7336	1	Idler W/Bolt-On Sprockets
	GD7426	-	Sprocket, 12 Tooth (Included W/GA7336)
	GD1026	-	Sleeve, 1 3/16" Long (Included W/GA7336)
	G11387	-	Flat Washer, 3/8" SAE (Included W/GA7336)
	G10229	-	Lock Washer, 3/8" (Included W/GA7336)
	G10047	-	Hex Head Cap Screw, 3/8"-16 x 1 3/4" (Included W/GA7336)
13	G11100	1	Hex Socket Button Head Cap Screw, 1/4"-20 x 1/2", Grade 8
	G10227	1	Lock Washer, 1/4"
	G11453	1	Fender Washer, 1/4"
14	G3310-126	1	Chain, No. 40, 126 Pitch Including Connector Link
	GR0912	-	Connector Link, No. 40
15	GD2734-08	1	Sleeve, 1 1/4" O.D. x 5/8" Long
16	G10303	3	Carriage Bolt, 5/16"-18 x 1"
	G10232	3	Lock Washer, 5/16"
	G10106	3	Hex Nut, 5/16"-18
17	GA11331	2	Hex Lock Clamp Assembly
18	GA5194	1	Sprocket, 50 Tooth
19	G10233	2	Machine Bushing, 1", 10 Gauge
20	G3400-01	2	Flangette
21	G2100-03	1	Bearing, 7/8" Hex Bore, Spherical
22	GD15685	1	Clamp
23	GA6501	1	Drive Plate W/Grease Fitting
	G10641	-	Grease Fitting, 1/8" NPT
	G10640	-	Grease Fitting, 1/4"-28
24	G10017	4	Hex Head Cap Screw, 1/2"-13 x 1 1/2"
	G10228	4	Lock Washer, 1/2"
	G10102	4	Hex Nut, 1/2"-13
25	GD5857	1	Spring
26	GD5990	1	Shaft, 74"
27	GD3839	1	Coupler, 2"
28	G10602	1	Spring Pin, 1/4" x 1 1/2"
29	G10460	1	Cotter Pin, 1/4" x 2"

Continued on next page.

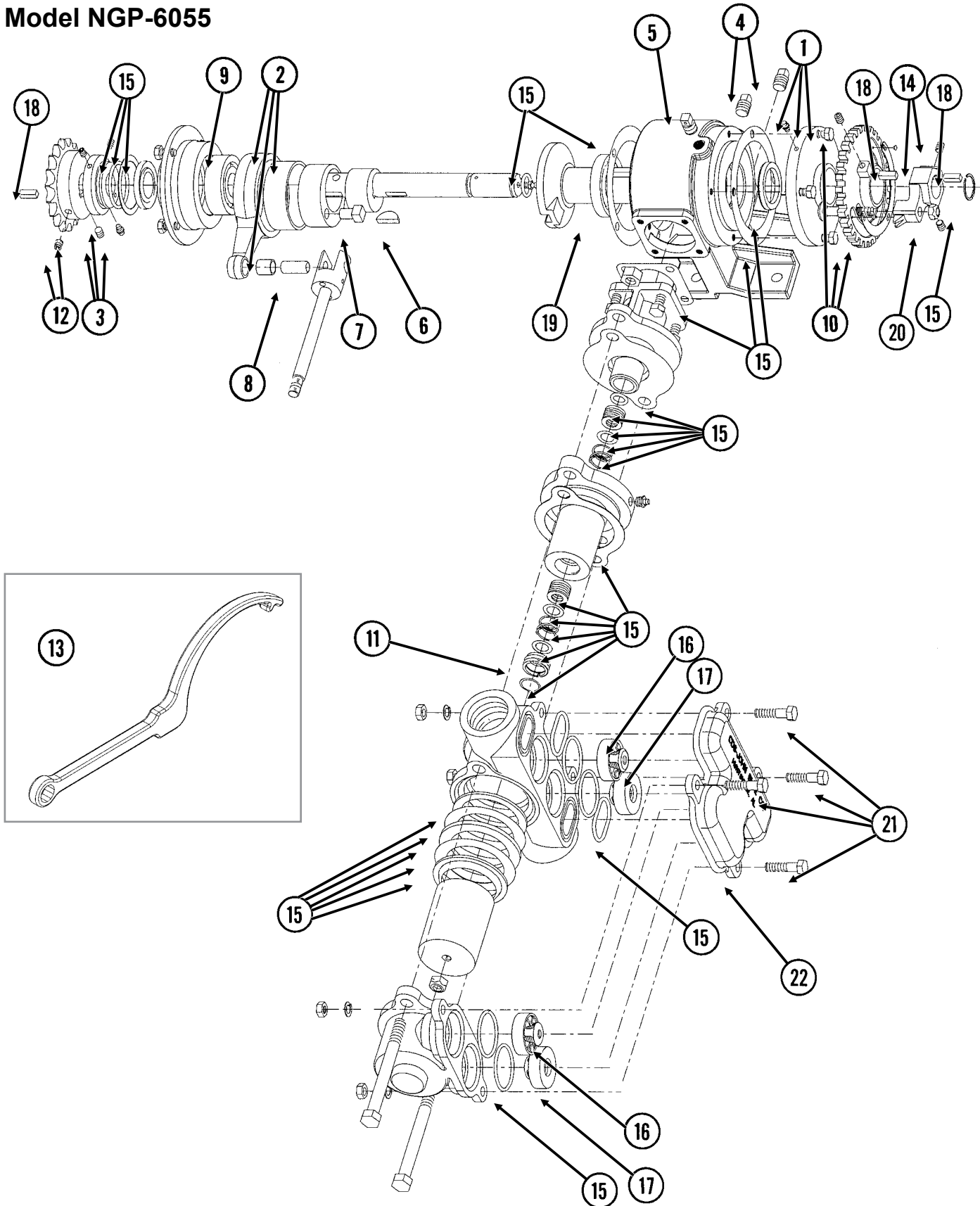
ITEM	PART NO.	QTY.	DESCRIPTION
30	---	---	---
31	G11075	2	External Inverted Snap Ring, 7/8"
32	G10496	2	External Inverted Snap Ring, 1 1/2"
33	G10629	1	Elbow, 90°, 1 1/4" NPT To Barb
34	---	-	<a href="#">See "Liquid Fertilizer Tanks, Saddle, Mounts, Hoses, and Fittings, 4 Row" on page P102</a> <a href="#">See "Liquid Fertilizer Tanks, Saddles, Mounts, Hoses, and Fittings, 6 and 8 Row" on page P104</a>
35	G10615	1	Reducing Bushing, 1 1/2" Male NPT To 1 1/4" Female
36	G11237	1	Reducing Bushing, 1 1/2" Male NPT To 3/4" Female
37	G10292	-	Pipe Plug, 1/4" NPT
38	GA3893	1	Strainer Complete
	GR0880	-	Screen, No. 40 Mesh (Included W/GA3893)
	GR0881	-	Gasket (Included W/GA3893)
	GR0882	-	Y-Body (Included W/GA3893)
	GR0883	-	End Cap (Included W/GA3893)
39	G10994	1	Close Nipple, 3/4" NPT, Stainless Steel
40	GD14431	1	Handle
41	GD14427	1	Tightener Shaft, 4 7/8"
42	G11078	1	Vinyl Cap
43	GD14432	1	Sleeve, 1 1/4"
A	G1K378	-	Wrap Spring Wrench Replacement Kit, Blue Collar, R.H., (Items 6-7, 13, 15, 31, 32, 36 and 41-43 )



**This page left blank intentionally.**

(A12335a/GR1808)

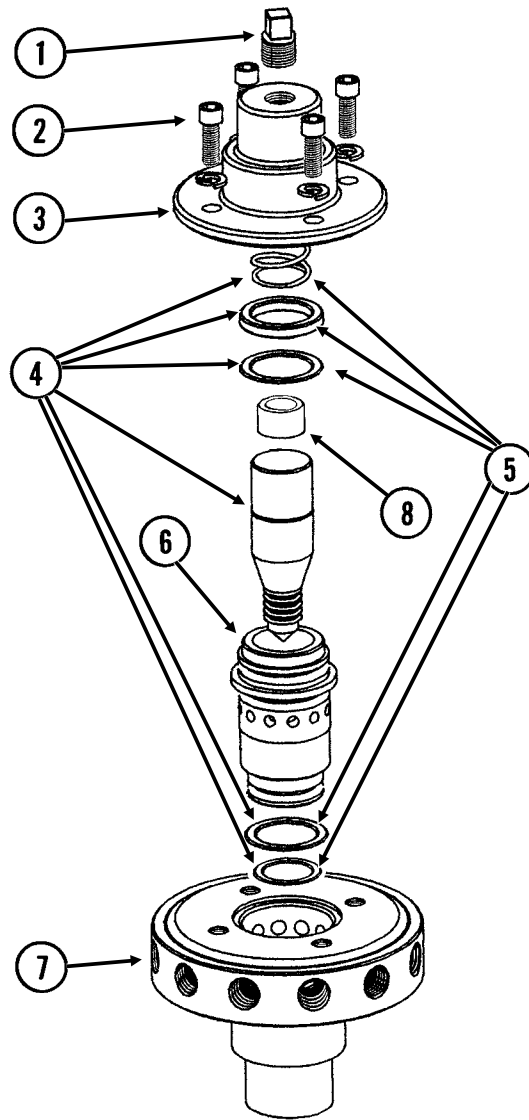
Model NGP-6055



ITEM	PART NO.	QTY.	DESCRIPTION
1	GR1804	1	Flange Cover Assembly
	G10991	4	Hex Head Cap Screw, 5/16"-18 x 7/8"
2	GR1802	1	Connecting Rod Assembly
3	GR1801	1	Spacer Assembly
	G10693	3	Hex Socket Head Set Screw, 5/16"-18 x 3/8"
4	GR1123	2	Plug
5	GR1543	1	Vent Plug
6	GR1112	1	Woodruff Key
7	GR1120	1	Eccentric Pin
8	GR1124	1	Pin
9	GR1104	1	Bearing
10	GR1805	1	Setting Hub Assembly
11	GR1134	1	Stuffing Box Insert
12	GR1389	1	Sprocket, 18 Tooth
13	GR1808	1	Adjustment Wrench
14	GR1806	1	Setting Pointer Assembly
15	GR1795	1	Repair Kit, Includes: (6) Gaskets, (9) O-Rings, (4) Washers, (1) Retaining Ring, (2) Oil Seals, (1) Snap Ring, (1) Thrust Washer, (1) Rod Bushing, (2) Flange Plunger Packings, (2) Packing Springs, (2) Rod Vee Packing Sets
16	GR1799	2	Discharge Valve Assembly
17	GR1797	2	Suction Valve Assembly
18	GR1118	3	Setting Arm Key
19	GR1116	1	Bearing
20	G10306	1	Carriage Bolt, 3/8"-16 x 2"
	G10108	1	Lock Nut, 3/8"-16
21	G10003	4	Hex Head Cap Screw, 3/8"-16 x 1 1/2"
	G11387	4	Flat Washer, 3/8" SAE
	G10229	4	Lock Washer, 3/8"
	G10101	4	Hex Nut, 3/8"-16
22	GR2003	1	Valve Cover
A	GA12330	-	Piston Pump Complete W/18 Tooth Sprocket (Model NGP-6055)

(FRTZ159/PT40a/FRTZ202c)

**Model FD-1200 Flow Divider, 12 Outlet**

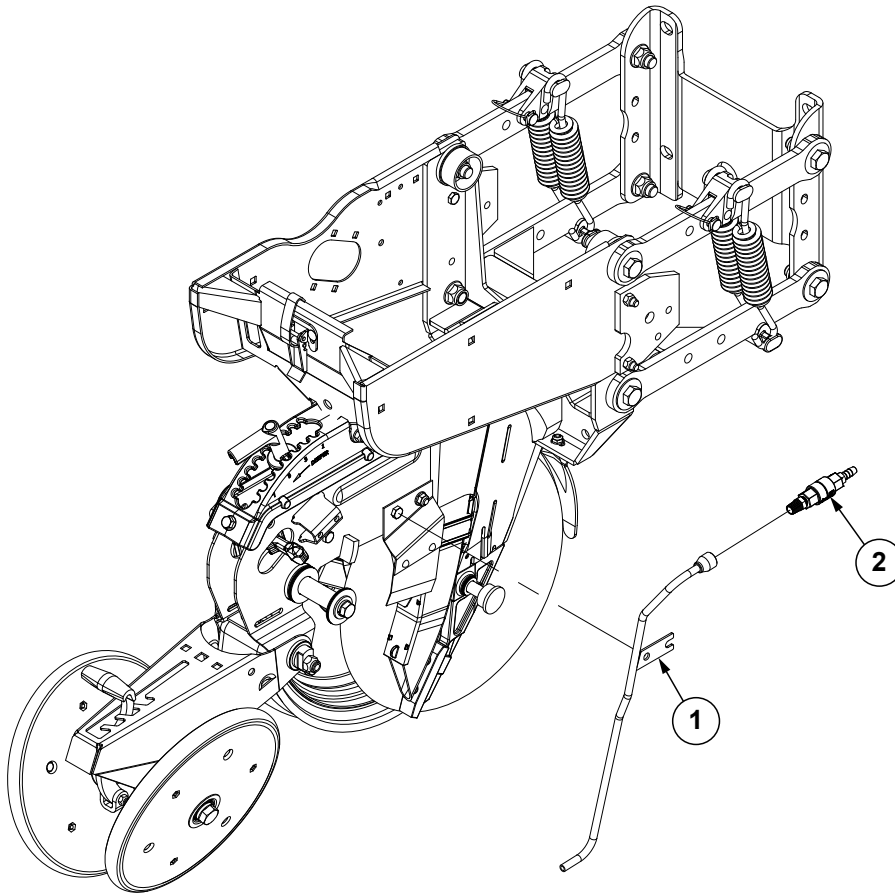


3/4" NPT

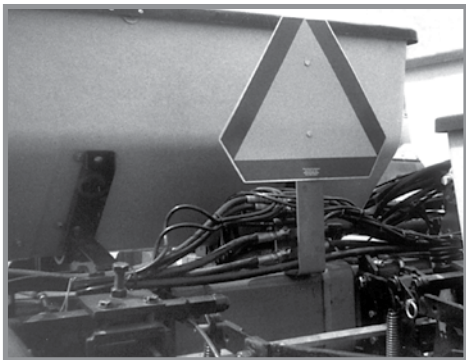
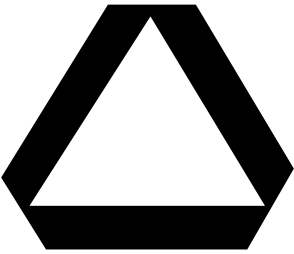



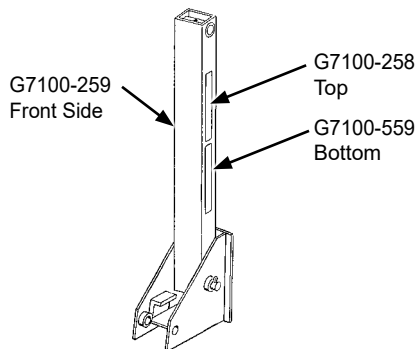

---

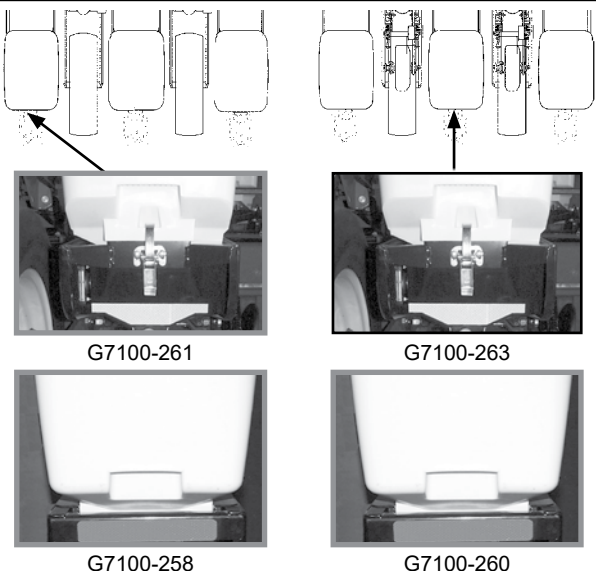
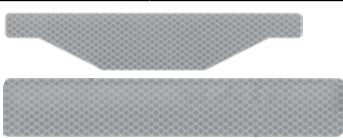


ITEM	PART NO.	QTY.	DESCRIPTION
1	GR1543	1	Vent Plug
2	GR1542	4	Hex Socket Head Screw, 1/4"-20 x 3/4"
	GR1541	4	Lock Washer, 1/4", Stainless Steel
3	GR1540	1	Cap
4	GR1544	1	Needle Assembly W/Seal Kit (Item 22)
5	GR1545	1	Seal Kit, Includes: (3) O-Rings, (1) Seal, (1) Spring
6	GR1535	1	Sleeve
7	GR1533	1	Body (12 Outlet)
8	GR1574	1	Sleeve, 1" O.D. x 1/2" Long, Stainless Steel
A	GA8931	1	Liquid Fertilizer Piston Pump Flow Divider Complete, 12 Outlet (Model FD-1200)

(IP1624)

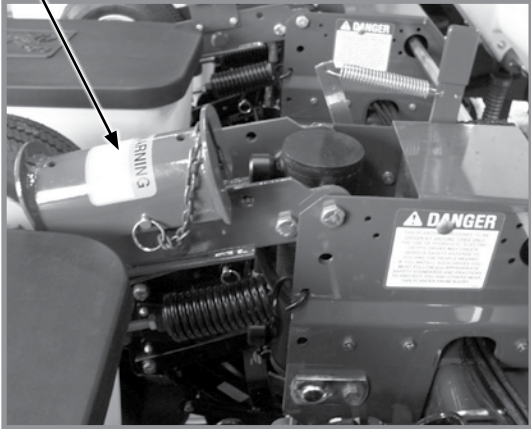








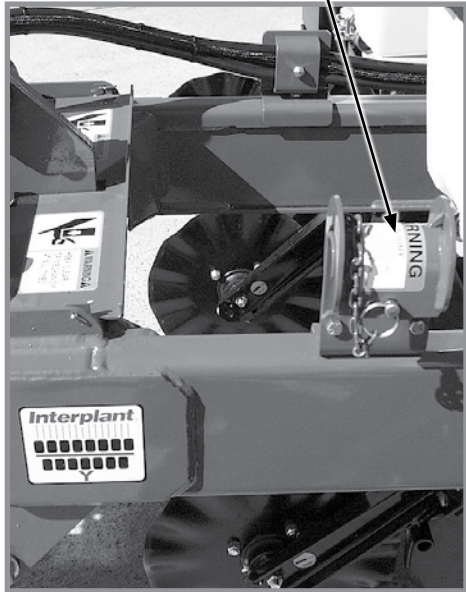
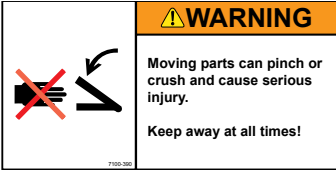


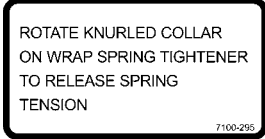
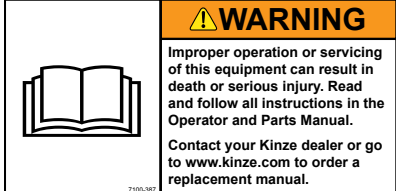
ITEM	PART NO.	QTY.	DESCRIPTION
1	GA18822	-	Liquid Fertilizer Tube
2	GA20583	-	Check Valve Assembly


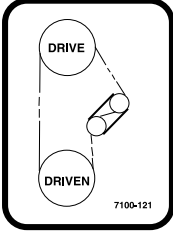
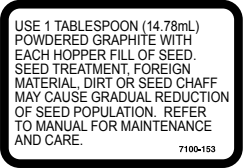




	
<p>Part No.: GD2199 Description: SMV Sign Quantity: 1</p>	
	
<p>Conventional Row Marker</p>	<p>Low Profile Row Marker</p>
 <p><b>WARNING</b></p> <p>Row marker can lower at any time and could cause death or serious injury.</p> <p>Stay away from row markers!</p> <p>Install safety lockup device when not in use.</p>	
<p>Part No.: G7100-397 Description: Decal, Warning Quantity: 1 (Per Row Marker Cylinder - Conventional) 4 (2 Per Row Marker)</p>	
 <p>G7100-259 Front Side</p> <p>G7100-258 Top</p> <p>G7100-559 Bottom</p>	
	
<p>Part No.: G7100-557 Description: Reflective Decal, Red, 2" x 9", Rectangular Quantity: 2 (1 Per Row Marker) (If Applicable)</p>	
<p>Part No.: G7100-558 Description: Reflective Decal, Amber, 2" x 9", Rectangular Quantity: 2 (1 Per Row Marker)</p>	
<p>Part No.: G7100-559 Description: Reflective Decal, Orange, 2" x 9", Rectangular Quantity: 2 (2 Per Row Marker)</p>	


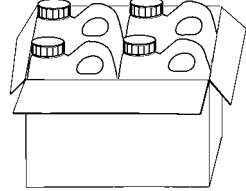




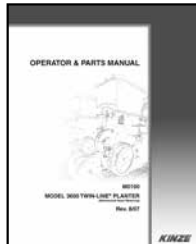
 <p><b>NOTE:</b> Exceptions to above are 8 Row 30" planters. Red reflective decals are used on 1, 3, 6, and 8 row units. Orange reflective decals are used on 2, 4, 5, and 7 row units. (If Applicable)</p>	 <p>Part No.: G7100-261 Description: Reflective Decal, Red, 1¼" x 9", Die-Cut Quantity: 2 (One per row unit located on the hopper support on the outside row unit on each end of the planter) (if applicable)</p> <p>Part No.: G7100-263 Description: Reflective Decal, Orange, 1¼" x 9", Die-Cut Quantity: 2 (One per row unit located on the hopper support on the second row unit in on each end of the planter) (if applicable)</p> <p>Part No.: G7100-557 Description: Reflective Decal, Red, 2" x 9", Rectangular Quantity: 2 (One per row unit located on the granular chemical hopper panel extension on the outside row unit on each end of the planter) (If applicable)</p> <p>Part No.: G7100-559 Description: Reflective Decal, Orange, 2" x 9", Rectangular Quantity: 2 (One per row unit located on the granular chemical hopper panel extension on the second row unit in on each end of the planter) (if applicable)</p>
	 <div style="border: 1px solid black; padding: 5px;"> <p><b>WARNING</b></p> <p>Loss of control can cause death or serious injury, or damage to property and equipment. Tow only with farm tractor weight rated and configured for this equipment. Use safety chains and transport as specified in the Operator and Parts Manual.</p> </div> <p>Part No.: G7100-393 Description: Decal, Warning Quantity: 1</p>



<p>G7100-385</p> 	 <p><b>WARNING</b></p> <p>Uncontrolled machine movement can crush resulting in death, serious injury, or damage to property and equipment.</p> <p>Install safety lockup devices before working under or transporting this equipment.</p>
<p>Part No.: G7100-385 Description: Decal, Warning Quantity: 1 (Per Contact Wheel Assembly)</p>	 <p><b>WARNING</b></p> <p>Uncontrolled movement of planter components can cause death, serious injury, or damage to property and equipment.</p> <p>Raise planter and install cylinder lockups before folding. Fold on level ground. Install wing safety latches before towing.</p>
<p>Part No.: G7100-402 Description: Decal, Warning Quantity: 1 (Per Contact Wheel Assembly)</p>	
 <p><b>WARNING</b></p> <p>Agricultural chemicals can cause death or serious injury to persons, animals, and plants or seriously damage soil, equipment, and property. Read and follow all chemical and equipment manufacturer labels and instructions.</p>	<p>Part No.: G7100-381 Description: Decal, Warning Quantity: 1 (1 Per Row Unit - Located On Underside Of Granular Chemical Hopper Lid)</p>
	 <p><b>CAUTION</b></p> <p>Improper lifting of row unit can cause serious injury. An empty row unit requires minimum 90 lb (40.8 kg) lift. Set down pressure springs to minimum, lower planter to ground, and empty seed hopper before attempting to lift with this lever.</p>
<p>Part No.: G7100-389 Description: Decal, Caution Quantity: 1 (Located On Interplant Push Row Unit Lift Lever)</p>	

<p>G7100-255 or G7100-385</p> 	
	<p>Part No.: G7100-390 Description: Decal, Warning Quantity: 2 (Located On Interplant Self-Leveling Hitch Extension)</p>
	
	<p>Part No.: G7100-385 Description: Decal, Warning Quantity: 1 (Located On Interplant Lift Cylinder Lockup)</p>
	<p>Part No.: GD2984 Description: Tie Strap, 34"</p> <p>Part No.: GD1512 Description: Tie Strap, 7½"</p> <p>Part No.: GD2117 Description: Tie Strap, 14½"</p> <p>Part No.: GD2984 Description: Tie Strap, 34"</p>
	<p>Part No.: G7100-295 Description: Decal, Spring Tension Release Quantity: -</p>
<h1>Double Frame®</h1>	<p>Part No.: G7100-60 Description: Decal, Double Frame Quantity: 1</p>
	<p>Part No.: G7100-387 Description: Decal, Warning Quantity: 1</p>

 <p>TORQUE 5/8" SPINDLE BOLTS TO 120 FT/LBS. (162.7 Nm). CHECK PERIODICALLY AND RE-TORQUE AS NEEDED.</p> <p>7100-234</p>	<p>Part No.: G7100-234                  Description: Decal, Bolt Torque                  Quantity: -</p>
 <p>DRIVE                  DRIVEN</p> <p>7100-121</p>	<p>Part No.: G7100-121                  Description: Decal, Transmission                  Quantity: 1</p>
 <p>USE 1 TABLESPOON (14.78mL) POWDERED GRAPHITE WITH EACH HOPPER FILL OF SEED. SEED TREATMENT, FOREIGN MATERIAL, DIRT OR SEED CHAFF MAY CAUSE GRADUAL REDUCTION OF SEED POPULATION. REFER TO MANUAL FOR MAINTENANCE AND CARE.</p> <p>7100-153</p>	<p>Part No.: G7100-153                  Description: Decal, Information                  Quantity: 1 Per Brush-Type Seed Meter</p>
 <p>DAILY</p> <p>7100-111</p>	<p>Part No.: G7100-111                  Description: Decal, Oil Daily                  Quantity: -</p>
 <p>DAILY</p> <p>7100-116</p>	<p>Part No.: G7100-116                  Description: Decal, Grease Daily                  Quantity: -</p>
 <p>KINZE                  ACRYLIC ENAMEL AIR DRY                  SPRAY                  TOUCH-UP                  PAINT                  KINZE BLUE</p>	<p>Part No.: GR2127MPP                  Description: Blue Paint, Twelve Aerosol Cans</p>
 <p>POWDERED GRAPHITE                  SEED FLOW LUBRICANT</p>	<p>Part No.: GR0146MPP                  Description: Powdered Graphite, Twenty-Four 1 Pound Containers</p> <p>Part No.: GR2335                  Description: Powdered Graphite, 40 Pound Container</p>

	<p>Part No.: GR1570MPP Description: Talc Lubricant, Four 8 Pound Containers</p> <p>Part No.: GR2334 Description: Talc Lubricant, 40 Pound Container</p>
	<p>Part No.: GR1842MPP Description: Graphite Lubricant, Four 5 Pound Containers</p>
	<p>Part No.: GR2336 Description: Talc/Graphite Blend (80 Talc/20 Graphite), 40 Pound Container</p>
	<p>Part No.: GR2241MPP Description: Dispensing Cap, 10/Package</p>
	<p>Part No.: G10074401 Description: Decal, Kinze 3005 (2021 - 2023 Production) Quantity: 2 (1 On Each Side of Hitch)</p>
	<p>Part No.: G10769801 Description: Decal, Kinze 3005 (2024 Production and On) Quantity: 2 (1 On Each Side of Hitch)</p>
	<p>Part No.: GM0298-01 Description: Operator Manual, Model 3005</p> <p>Part No.: GM0298-02 Description: Parts Manual, Model 3005</p> <p>Part No.: GPR1094 Description: Binder (Contact Kinze Parts To Order)</p>

	<p>Part No.: GA15422                  Description: Operator's Manual Canister                  Quantity: 1</p>
	<p>Part No.: GD22685                  Description: Manual Canister Bracket                  Quantity: 1</p>
	<p>Part No.: GD22692                  Description: U-Bolt, 1<math>\frac{3}{4}</math>" x 1<math>\frac{3}{4}</math>" x <math>\frac{3}{8}</math>"-16                  Quantity: 1</p>
	<p>Part No.: G11091                  Description: Serrated Flange Nut, <math>\frac{3}{8}</math>"-16                  Quantity: 2</p>
	<p>Part No.: G11166                  Description: Hex Socket Flange Cap Screw, <math>\frac{1}{4}</math>"-20 x <math>\frac{3}{4}</math>"                  Quantity: 3</p>
	<p>Part No.: G7100-484                  Description: Decal, American Flag</p>

**This page left blank intentionally.**

*A1000..... P77	*A3150..... P77	A9442 ..... P69	G10018801 ..... P7
*A1000..... P79	*A3150..... P79	G10001 ..... P11	G10020 ..... P17
*A1018..... P75	*A3175..... P77	G10001 ..... P39	G10021 ..... P17
*A1018..... P77	*A3208..... P77	G10001 ..... P41	G10022 ..... P17
*A1018..... P79	*A3209..... P79	G10001 ..... P41	G10023 ..... P22
*A1019..... P77	*A3211..... P75	G10001 ..... P41	G10023 ..... P82
*A1020..... P75	*A7692-100 ..... P75	G10001 ..... P73	G10026 ..... P49
*A1020..... P75	*A7692-100 ..... P77	G10001 ..... P73	G10028601 ..... P9
*A1021..... P79	*D12038..... P66	G10001 ..... P73	G10028701 ..... P9
*A1039..... P79	*D12056..... P65	G10001 ..... P87	G10028801 ..... P9
*A1054..... P79	*D12210..... P65	G10002 ..... P7	G10033 ..... P55
*A1055..... P79	*D12210..... P66	G10002 ..... P22	G10033 ..... P97
*A1076..... P75	*D12210..... P67	G10002 ..... P91	G10035 ..... P95
*A1076..... P75	*D12212..... P67	G10003 ..... P3	G10036 ..... P24
*A1076..... P77	*D12213..... P67	G10003 ..... P107	G10037 ..... P55
*A1076..... P77	*D12227..... P66	G10003 ..... P111	G10037 ..... P99
*A1076..... P79	*D12228..... P66	G10004 ..... P5	G10037301 ..... P7
*A1076..... P79	*D12231..... P65	G10004 ..... P27	G10038 ..... P56
*A1079..... P79	*D12232..... P65	G10004 ..... P29	G10038601 ..... P3
*A1086..... P77	*D12233..... P68	G10004 ..... P33	G10038601 ..... P35
*A1090..... P79	*D12233..... P69	G10004 ..... P51	G10039 ..... P82
*A1102..... P75	*D12235..... P68	G10004 ..... P51	G10039 ..... P88
*A1105..... P77	*D12235..... P69	G10004 ..... P56	G10041 ..... P29
*A1138..... P75	*D12236..... P68	G10004 ..... P88	G10045 ..... P63
*A1138..... P77	*D12236..... P69	G10004 ..... P105	G10046 ..... P91
*A1153..... P75	*D12251..... P65	G10004 ..... P105	G10047 ..... P47
*A1168..... P77	*D12251..... P66	G10004 ..... P107	G10047 ..... P56
*A1170..... P75	*D12251..... P67	G10005 ..... P5	G10047 ..... P91
*A1177..... P75	*D12256..... P68	G10005 ..... P7	G10047 ..... P97
*A1177..... P77	*D12256..... P69	G10005 ..... P44	G10047 ..... P107
*A1179..... P75	*D12277..... P68	G10005 ..... P51	G10048 ..... P44
*A1179..... P77	*D12277..... P69	G10006 ..... P49	G10048 ..... P44
*A1182..... P75	*D29649..... P65	G10007 ..... P47	G10048 ..... P44
*A1182..... P75	*D29649..... P66	G10007 ..... P87	G10049 ..... P61
*A1182..... P77	*D29692..... P68	G10007 ..... P103	G10049 ..... P61
*A24473..... P67	*D29692..... P69	G10007 ..... P105	G10049 ..... P88
*A26167..... P66	*D30399..... P67	G10008 ..... P59	G10053 ..... P49
*A26168..... P65	*G6400-06 ..... P73	G10010 ..... P9	G10053 ..... P55
*A26936-100 ..... P75	700-01078 ..... P17	G10010 ..... P27	G10053 ..... P55
*A26936-100 ..... P77	700-01339 ..... P19	G10010 ..... P29	G10053 ..... P97
*A26936-100 ..... P79	900-01117 ..... P17	G10010 ..... P94	G10055 ..... P51
*A26947-100 ..... P79	A26287 ..... P21	G10011 ..... P91	G10061 ..... P3
*A3113..... P75	A4295 ..... P65	G10011101 ..... P5	G10061 ..... P13
*A3114..... P79	A7370 ..... P51	G10011201 ..... P5	G10061 ..... P44
*A3115..... P77	A7538 ..... P66	G10011301 ..... P33	G10064 ..... P11
*A3119..... P77	A8011 ..... P44	G10011401 ..... P33	G10064 ..... P50
*A3142..... P75	A8013 ..... P44	G10013 ..... P11	G10064 ..... P51
*A3142..... P77	A8015 ..... P44	G10014 ..... P9	G10064 ..... P82
*A3142..... P77	A8016 ..... P44	G10016 ..... P88	G10071 ..... P49
*A3142..... P79	A8018 ..... P44	G10016 ..... P97	G10074401 ..... P120
*A3142..... P79	A8020 ..... P44	G10017 ..... P44	G10090401 ..... P7
*A3147..... P75	A8775 ..... P68	G10017 ..... P56	G10096 ..... P103
*A3147..... P77	A8827 ..... P67	G10017 ..... P91	G10096 ..... P105
*A3147..... P79	A8923 ..... P70	G10017 ..... P107	G10100 ..... P88

G10101	P11	G10106	P99	G10111	P91	G10228	P43
G10101	P36	G10106	P99	G10111	P92	G10228	P55
G10101	P39	G10106	P99	G10111	P97	G10228	P55
G10101	P41	G10106	P99	G10112	P44	G10228	P55
G10101	P70	G10106	P107	G10122301	P3	G10228	P59
G10101	P73	G10107	P11	G10122301	P35	G10228	P61
G10101	P84	G10107	P24	G10128	P55	G10228	P63
G10101	P88	G10107	P44	G10128	P55	G10228	P63
G10101	P107	G10107	P47	G10128	P56	G10228	P63
G10101	P107	G10107	P51	G10130	P39	G10228	P82
G10101	P111	G10107	P51	G10130	P52	G10228	P82
G10102	P39	G10107	P92	G10130	P53	G10228	P95
G10102	P39	G10108	P3	G10131	P52	G10228	P95
G10102	P39	G10108	P13	G10131	P53	G10228	P97
G10102	P39	G10108	P14	G10133	P11	G10228	P99
G10102	P43	G10108	P21	G10133	P27	G10228	P103
G10102	P55	G10108	P33	G10133	P59	G10228	P105
G10102	P55	G10108	P36	G10133	P61	G10228	P107
G10102	P55	G10108	P41	G10133	P99	G10229	P11
G10102	P59	G10108	P44	G10157	P43	G10229	P22
G10102	P61	G10108	P44	G10159	P49	G10229	P27
G10102	P63	G10108	P44	G10159	P61	G10229	P29
G10102	P63	G10108	P44	G10159	P61	G10229	P39
G10102	P82	G10108	P47	G10168	P39	G10229	P41
G10102	P82	G10108	P51	G10168	P63	G10229	P41
G10102	P91	G10108	P61	G10168	P63	G10229	P51
G10102	P95	G10108	P61	G10169	P43	G10229	P56
G10102	P95	G10108	P85	G10171	P99	G10229	P56
G10102	P97	G10108	P87	G10171	P99	G10229	P73
G10102	P99	G10108	P88	G10177	P55	G10229	P73
G10102	P103	G10108	P91	G10177	P99	G10229	P73
G10102	P105	G10108	P91	G10187	P59	G10229	P84
G10102	P107	G10108	P111	G10201	P14	G10229	P88
G10103	P51	G10109	P11	G10201	P21	G10229	P88
G10104	P5	G10109	P27	G10201	P36	G10229	P97
G10104	P5	G10109	P29	G10201	P99	G10229	P107
G10104	P33	G10109	P59	G10201	P99	G10229	P107
G10104	P44	G10109	P61	G10207	P3	G10229	P107
G10104	P44	G10110	P21	G10207	P35	G10229	P111
G10104	P49	G10110	P63	G10210	P47	G10229401	P85
G10104	P55	G10110	P82	G10215	P75	G10230	P5
G10104	P88	G10110	P82	G10215	P77	G10230	P5
G10104	P91	G10111	P11	G10215	P79	G10230	P9
G10104	P91	G10111	P24	G10216	P9	G10230	P11
G10104	P91	G10111	P41	G10217	P92	G10230	P33
G10104	P95	G10111	P41	G10220	P87	G10230	P44
G10104	P99	G10111	P44	G10227	P51	G10230	P44
G10104	P103	G10111	P49	G10227	P55	G10230	P49
G10104	P105	G10111	P55	G10227	P107	G10230	P55
G10105	P87	G10111	P56	G10228	P9	G10230	P59
G10105	P103	G10111	P56	G10228	P39	G10230	P88
G10105	P105	G10111	P88	G10228	P39	G10230	P88
G10106	P55	G10111	P88	G10228	P39	G10230	P91
G10106	P99	G10111	P88	G10228	P39	G10230	P91



G10230 ..... P91	G10325 ..... P21	G10478101 ..... P19	G10620 ..... P51
G10230 ..... P95	G10325 ..... P41	G10485 ..... P105	G10620 ..... P94
G10230 ..... P99	G10326 ..... P14	G10496 ..... P39	G10621 ..... P13
G10230 ..... P103	G10329801 ..... P13	G10496 ..... P55	G10621 ..... P17
G10230 ..... P105	G10334701 ..... P9	G10496 ..... P108	G10621 ..... P17
G10231 ..... P49	G10334801 ..... P9	G10500 ..... P17	G10621 ..... P21
G10231 ..... P103	G10334901 ..... P9	G10500901 ..... P3	G10621 ..... P22
G10231 ..... P105	G10335001 ..... P9	G10500901 ..... P35	G10621 ..... P33
G10232 ..... P55	G10335101 ..... P9	G10501 ..... P51	G10621 ..... P50
G10232 ..... P91	G10335201 ..... P9	G10502X ..... P1	G10621 ..... P121
G10232 ..... P99	G10338 ..... P13	G10503 ..... P27	G10622 ..... P7
G10232 ..... P99	G10348 ..... P43	G10503 ..... P29	G10622 ..... P51
G10232 ..... P99	G10370 ..... P51	G10504X ..... P31	G10626 ..... P103
G10232 ..... P99	G10397801 ..... P7	G10507 ..... P88	G10626 ..... P105
G10232 ..... P99	G10397801 ..... P9	G10527 ..... P56	G10626 ..... P105
G10232 ..... P107	G10397801 ..... P94	G10535 ..... P39	G10629 ..... P103
G10233 ..... P39	G10401 ..... P17	G10544 ..... P63	G10629 ..... P105
G10233 ..... P51	G10408 ..... P97	G10546 ..... P13	G10629 ..... P108
G10233 ..... P52	G10409 ..... P97	G10546 ..... P23	G10633 ..... P103
G10233 ..... P52	G10409 ..... P107	G10551 ..... P3	G10633 ..... P105
G10233 ..... P53	G10419 ..... P97	G10551 ..... P35	G10636 ..... P24
G10233 ..... P53	G10427101 ..... P29	G10561 ..... P99	G10636 ..... P49
G10233 ..... P55	G10428 ..... P41	G10567 ..... P13	G10640 ..... P41
G10233 ..... P94	G10429101 ..... P17	G10567 ..... P23	G10640 ..... P55
G10233 ..... P97	G10429301 ..... P17	G10570 ..... P23	G10640 ..... P59
G10233 ..... P101	G10430 ..... P53	G10574 ..... P41	G10640 ..... P59
G10233 ..... P107	G10438 ..... P3	G10581 ..... P39	G10640 ..... P61
G10235 ..... P51	G10445 ..... P97	G10581 ..... P41	G10640 ..... P61
G10237 ..... P88	G10450 ..... P92	G10585 ..... P97	G10640 ..... P88
G10266501 ..... P19	G10451 ..... P33	G10587 ..... P99	G10640 ..... P91
G10278 ..... P103	G10451 ..... P41	G10588 ..... P99	G10640 ..... P97
G10284 ..... P33	G10451 ..... P99	G10592 ..... P88	G10640 ..... P99
G10292 ..... P108	G10453 ..... P53	G10594 ..... P88	G10640 ..... P107
G10303 ..... P50	G10455 ..... P55	G10599 ..... P11	G10641 ..... P87
G10303 ..... P51	G10455 ..... P97	G10599 ..... P36	G10641 ..... P107
G10303 ..... P55	G10459 ..... P88	G10599 ..... P88	G10645 ..... P41
G10303 ..... P99	G10460 ..... P41	G10602 ..... P13	G10647 ..... P44
G10303 ..... P99	G10460 ..... P49	G10602 ..... P17	G10652801 ..... P29
G10303 ..... P107	G10460 ..... P52	G10602 ..... P23	G10652901 ..... P29
G10306 ..... P51	G10460 ..... P53	G10602 ..... P51	G10655 ..... P99
G10306 ..... P91	G10460 ..... P56	G10602 ..... P52	G10660 ..... P23
G10306 ..... P111	G10460 ..... P59	G10602 ..... P53	G10670 ..... P21
G10307 ..... P36	G10460 ..... P61	G10602 ..... P56	G10670 ..... P22
G10308 ..... P11	G10460 ..... P61	G10602 ..... P97	G10670 ..... P59
G10309 ..... P13	G10460 ..... P61	G10602 ..... P107	G10670 ..... P99
G10309 ..... P33	G10460 ..... P61	G10603 ..... P17	G10670 ..... P107
G10310 ..... P21	G10460 ..... P97	G10604 ..... P17	G10671 ..... P47
G10312 ..... P3	G10460 ..... P99	G10615 ..... P108	G10672 ..... P99
G10312 ..... P21	G10460 ..... P107	G10619 ..... P103	G10672 ..... P103
G10315 ..... P21	G10463 ..... P33	G10619 ..... P105	G10672 ..... P105
G10322 ..... P88	G10470 ..... P17	G10620 ..... P3	G10674 ..... P103
G10322501 ..... P9	G10475 ..... P19	G10620 ..... P13	G10674 ..... P105
G10323 ..... P17	G10476201 ..... P19	G10620 ..... P21	G10674 ..... P105
G10325 ..... P7	G10478 ..... P107	G10620 ..... P50	G10676 ..... P99

G10681	P107	G10974	P29	G11387	P21	G11591	P3
G10690	P17	G10984X	P1	G11387	P36	G11591	P35
G10693	P111	G10985X	P31	G11387	P41	G11592	P3
G10718	P33	G10991	P91	G11387	P44	G11592	P35
G10722	P63	G10991	P111	G11387	P51	G11793	P23
G10725	P63	G10993	P44	G11387	P56	G11862	P11
G10732	P5	G10994	P108	G11387	P56	G11874	P47
G10732	P33	G11009	P17	G11387	P73	G11960	P85
G10745401	P3	G11013001	P13	G11387	P73	G11961	P85
G10745401	P84	G11015	P3	G11387	P85	G11976	P5
G10751	P5	G11015	P35	G11387	P88	G11976	P33
G10751	P33	G11043701	P43	G11387	P88	G1K248	P82
G10752	P5	G11043801	P43	G11387	P91	G1K248	P85
G10752	P13	G11043901	P43	G11387	P97	G1K252	P82
G10757	P21	G11073	P23	G11387	P107	G1K252	P85
G10758	P21	G11075	P56	G11387	P107	G1K253	P51
G10765	P27	G11075	P108	G11387	P111	G1K268	P84
G10765	P29	G11078	P55	G11389	P27	G1K296	P9
G10821	P55	G11078	P108	G11389	P29	G1K320	P82
G10821	P97	G11081	P49	G11389	P33	G1K320	P84
G10842301	P82	G11085	P44	G11389	P41	G1K321	P82
G10842401	P82	G11091	P5	G11389	P41	G1K321	P84
G10842501	P82	G11091	P105	G11389	P43	G1K322	P84
G10844	P63	G11091	P105	G11389	P44	G1K323	P84
G10860	P50	G11091	P121	G11389	P88	G1K331	P39
G10860	P56	G11100	P55	G11389	P91	G1K345	P11
G10862	P88	G11100	P107	G11389	P91	G1K362	P85
G10864	P21	G11124	P84	G11389	P97	G1K363	P85
G10870	P50	G11166	P121	G11389	P99	G1K378	P56
G10870	P56	G11182	P103	G11391	P11	G1K378	P108
G10871	P91	G11202	P85	G11391	P47	G1K534	P33
G10856502	P103	G11209	P21	G11391	P49	G1K535	P33
G10856502	P105	G11228	P27	G11391	P51	G1K758	P5
G10871601	P9	G11228	P29	G11391	P63	G1K759	P33
G10871701	P9	G11232	P51	G11391	P87	G2100-03	P51
G10871801	P9	G11236	P27	G11391	P88	G2100-03	P56
G10874	P51	G11236	P29	G11391	P92	G2100-03	P56
G10879	P61	G11237	P108	G11391	P94	G2100-03	P107
G10895	P44	G11314	P49	G11392	P27	G2403-06	P75
G10901	P105	G11385	P21	G11392	P29	G2403-08	P75
G10901301	P24	G11385	P23	G11394	P41	G2403-08	P75
G10903	P44	G11385	P51	G11396	P41	G2403-08	P77
G10909	P39	G11385	P82	G11396	P61	G2403-08	P79
G10917	P103	G11386	P9	G11400	P49	G2603-08	P77
G10923	P39	G11386	P50	G11400	P61	G2603-08	P79
G10923	P52	G11386	P91	G11400	P61	G2603-08-08-06	P75
G10923	P53	G11386	P99	G11418	P63	G2603-08-08-06	P77
G10939	P70	G11386	P99	G11419	P11	G2701-08	P75
G10940	P9	G11386	P99	G11448	P19	G2703-08	P77
G10957	P70	G11387	P3	G11453	P55	G2703-08	P79
G10961	P94	G11387	P11	G11453	P107	G306-08	P75
G10966	P21	G11387	P11	G11514	P5	G306-08	P77
G10968	P39	G11387	P13	G11514	P33	G306-08	P79
G10974	P27	G11387	P14	G11514	P33	G3303-114	P21

G3303-16. .... P5	G7100-153. .... P119	GA14348. .... P49	GA26924-01. .... P77
G3303-96. .... P33	G7100-234. .... P119	GA14349. .... P49	GA26924-01. .... P79
G3303-98. .... P5	G7100-261. .... P116	GA14412. .... P49	GA26924-02. .... P75
G3310-100. .... P55	G7100-263. .... P116	GA14413. .... P49	GA26924-02. .... P77
G3310-126. .... P107	G7100-295. .... P118	GA15151. .... P63	GA26924-02. .... P79
G3310-132. .... P51	G7100-381. .... P117	GA15197. .... P11	GA26924-03. .... P75
G3310-138. .... P39	G7100-385. .... P117	GA15416. .... P88	GA26924-03. .... P77
G3310-252. .... P39	G7100-385. .... P118	GA15416. .... P91	GA26924-03. .... P79
G3310-80. .... P56	G7100-387. .... P118	GA15422. .... P121	GA26924-04. .... P75
G3310-92. .... P55	G7100-389. .... P117	GA16082. .... P84	GA26924-04. .... P77
G3310-98. .... P97	G7100-390. .... P118	GA16428. .... P103	GA26924-04. .... P79
G3324-01. .... P47	G7100-393. .... P116	GA16428. .... P105	GA26958. .... P11
G3400-01. .... P51	G7100-397. .... P115	GA1720. .... P5	GA27038. .... P27
G3400-01. .... P56	G7100-402. .... P117	GA17547. .... P84	GA27038. .... P29
G3400-01. .... P107	G7100-484. .... P121	GA18311. .... P94	GA3893. .... P108
G4100-02. .... P43	G7100-557. .... P115	GA18822. .... P114	GA4235. .... P97
G4200-01. .... P103	G7100-557. .... P116	GA2007. .... P13	GA4265. .... P44
G4200-02. .... P105	G7100-558. .... P115	GA2007. .... P33	GA4286. .... P87
G4200-03. .... P105	G7100-559. .... P115	GA2012L. .... P7	GA4287. .... P87
G4205-12. .... P103	G7100-559. .... P116	GA2012R. .... P7	GA4376. .... P49
G4301-01. .... P107	G7100-559. .... P115	GA2014. .... P27	GA4444. .... P22
G4301-03. .... P107	G7100-60. .... P118	GA2014. .... P29	GA4976. .... P103
G4301-04. .... P107	G8647x. .... P84	GA2019. .... P17	GA4976. .... P105
G4602-01. .... P105	G9881X. .... P94	GA2020. .... P17	GA5090. .... P51
G6325X. .... P5	G9948X. .... P47	GA20583. .... P114	GA5105. .... P51
G6400-08. .... P75	GA0237. .... P87	GA2068. .... P51	GA5105. .... P55
G6400-08. .... P77	GA0245. .... P63	GA20902. .... P84	GA5105. .... P97
G6400-08. .... P79	GA0257. .... P63	GA21104. .... P66	GA5106. .... P55
G6400-08. .... P79	GA0378. .... P53	GA21105. .... P66	GA5106. .... P56
G6400-08-04. .... P79	GA0863. .... P99	GA21106. .... P65	GA5107. .... P39
G6400-08-06. .... P79	GA0864. .... P99	GA21106. .... P66	GA5107. .... P55
G6408-08. .... P65	GA0898. .... P99	GA21111. .... P65	GA5107. .... P97
G6408-08. .... P66	GA10036. .... P94	GA21112. .... P65	GA5108. .... P55
G6408-08. .... P67	GA10037. .... P94	GA21158. .... P69	GA5109. .... P55
G6408-08. .... P68	GA10047. .... P91	GA21159. .... P69	GA5110. .... P55
G6408-08. .... P69	GA10048. .... P91	GA21167. .... P68	GA5111. .... P55
G6500-06. .... P75	GA10137. .... P13	GA21168. .... P68	GA5112. .... P55
G6500-06. .... P77	GA10151. .... P13	GA21184. .... P67	GA5113. .... P55
G6500-08. .... P79	GA10157. .... P3	GA21185. .... P67	GA5114. .... P52
G6500-08-06. .... P79	GA11331. .... P39	GA21676. .... P9	GA5114. .... P97
G6502-06. .... P75	GA11331. .... P53	GA21677. .... P9	GA5115. .... P97
G6502-06. .... P77	GA11331. .... P107	GA21798. .... P97	GA5116. .... P55
G6502-08. .... P79	GA11591. .... P61	GA2180. .... P39	GA5116. .... P97
G6602-08. .... P77	GA11971. .... P33	GA24239. .... P24	GA5116. .... P97
G6602-08. .... P79	GA12108. .... P91	GA24825. .... P49	GA5118. .... P51
G6795X. .... P95	GA12109. .... P91	GA24826. .... P49	GA5121. .... P49
G6801-06-08. .... P75	GA12235. .... P27	GA24828. .... P49	GA5122. .... P49
G6801-06-08. .... P77	GA12236. .... P27	GA24889. .... P33	GA5130. .... P61
G6801-08. .... P75	GA12330. .... P111	GA26287. .... P22	GA5146. .... P56
G6801-08. .... P77	GA12403. .... P84	GA26297. .... P35	GA5157. .... P51
G6801-08. .... P79	GA13521. .... P85	GA26876. .... P63	GA5158. .... P51
G7100-111. .... P119	GA13522. .... P85	GA26909. .... P63	GA5164. .... P53
G7100-116. .... P119	GA13790. .... P50	GA26920. .... P7	GA5165. .... P53
G7100-121. .... P119	GA14112. .... P105	GA26924-01. .... P75	GA5175. .... P59

GA5177 . . . . .	P59	GA7375 . . . . .	P103	GA9472 . . . . .	P94	GB0410 . . . . .	P17
GA5178 . . . . .	P59	GA7375 . . . . .	P105	GA9564 . . . . .	P91	GB0410 . . . . .	P17
GA5183 . . . . .	P59	GA7434 . . . . .	P49	GA9714 . . . . .	P15	GB0464 . . . . .	P27
GA5188 . . . . .	P61	GA7850 . . . . .	P84	GA9819 . . . . .	P91	GB0464 . . . . .	P29
GA5194 . . . . .	P107	GA7853 . . . . .	P84	GA9820 . . . . .	P91	GB0554 . . . . .	P63
GA5197 . . . . .	P44	GA7854 . . . . .	P84	GA9846 . . . . .	P51	GB0968 . . . . .	P36
GA5202 . . . . .	P56	GA7855 . . . . .	P84	GA9870 . . . . .	P51	GB1084 . . . . .	P19
GA5223 . . . . .	P97	GA7857 . . . . .	P84	GA9872 . . . . .	P41	GB1090 . . . . .	P84
GA5230 . . . . .	P95	GA7858 . . . . .	P84	GA9978 . . . . .	P84	GB1090 . . . . .	P84
GA5231 . . . . .	P95	GA7859 . . . . .	P84	GA9979 . . . . .	P84	GB1090 . . . . .	P84
GA5236 . . . . .	P95	GA7909 . . . . .	P44	GB0110 . . . . .	P17	GB1107 . . . . .	P19
GA5237 . . . . .	P95	GA8021 . . . . .	P84	GB0115 . . . . .	P23	GB1123 . . . . .	P19
GA5385 . . . . .	P82	GA8022 . . . . .	P84	GB0116 . . . . .	P23	GB1124 . . . . .	P19
GA5552 . . . . .	P73	GA8026 . . . . .	P84	GB0120 . . . . .	P17	GB1130 . . . . .	P19
GA5572 . . . . .	P73	GA8046 . . . . .	P84	GB0156 . . . . .	P43	GB1131 . . . . .	P19
GA5600 . . . . .	P84	GA8047 . . . . .	P82	GB0186 . . . . .	P5	GB1132 . . . . .	P19
GA5624 . . . . .	P55	GA8047 . . . . .	P84	GB0198 . . . . .	P99	GB1133 . . . . .	P19
GA5624 . . . . .	P97	GA8092 . . . . .	P39	GB0199 . . . . .	P99	GB1134 . . . . .	P19
GA5629 . . . . .	P55	GA8130 . . . . .	P70	GB0200 . . . . .	P99	GB1147 . . . . .	P19
GA5652 . . . . .	P99	GA8326 . . . . .	P23	GB0205 . . . . .	P87	GB1148 . . . . .	P19
GA5654 . . . . .	P27	GA8343 . . . . .	P17	GB0206 . . . . .	P88	GB1171 . . . . .	P19
GA5654 . . . . .	P29	GA8364 . . . . .	P23	GB0209 . . . . .	P88	GB1223 . . . . .	P5
GA5666 . . . . .	P99	GA8366 . . . . .	P23	GB0210 . . . . .	P88	GB1223 . . . . .	P33
GA5667 . . . . .	P99	GA8371 . . . . .	P22	GB0218 . . . . .	P51	GB1224 . . . . .	P5
GA5698 . . . . .	P19	GA8487 . . . . .	P41	GB0218 . . . . .	P87	GB1224 . . . . .	P5
GA5699 . . . . .	P19	GA8488 . . . . .	P41	GB0239 . . . . .	P11	GB1224 . . . . .	P33
GA5887 . . . . .	P87	GA8603 . . . . .	P24	GB0254 . . . . .	P11	GB1224 . . . . .	P33
GA5917 . . . . .	P103	GA8603 . . . . .	P91	GB0259 . . . . .	P56	GD0438 . . . . .	P59
GA5917 . . . . .	P105	GA8641 . . . . .	P24	GB0265 . . . . .	P3	GD0453-02 . . . . .	P59
GA6147 . . . . .	P85	GA8670 . . . . .	P44	GB0266 . . . . .	P3	GD0453-03 . . . . .	P61
GA6171 . . . . .	P9	GA8676 . . . . .	P41	GB0266 . . . . .	P35	GD0453-06 . . . . .	P59
GA6171 . . . . .	P11	GA8688 . . . . .	P88	GB0267 . . . . .	P3	GD0453-07 . . . . .	P59
GA6171 . . . . .	P11	GA8689 . . . . .	P88	GB0267 . . . . .	P35	GD0462 . . . . .	P59
GA6171 . . . . .	P11	GA8716 . . . . .	P39	GB0268 . . . . .	P11	GD0746 . . . . .	P63
GA6171 . . . . .	P94	GA8717 . . . . .	P39	GB0274 . . . . .	P3	GD0752-41 . . . . .	P61
GA6337 . . . . .	P97	GA8760 . . . . .	P27	GB0274 . . . . .	P35	GD0840 . . . . .	P63
GA6434 . . . . .	P11	GA8897 . . . . .	P70	GB0276 . . . . .	P9	GD0914-109 . . . . .	P52
GA6501 . . . . .	P107	GA8924 . . . . .	P70	GB0278 . . . . .	P13	GD0914-144 . . . . .	P39
GA6597 . . . . .	P11	GA8931 . . . . .	P113	GB0278 . . . . .	P23	GD0914-170 . . . . .	P53
GA6741 . . . . .	P21	GA9007 . . . . .	P44	GB0282 . . . . .	P11	GD0914-205 . . . . .	P39
GA6761 . . . . .	P41	GA9144 . . . . .	P84	GB0287 . . . . .	P52	GD0914-230 . . . . .	P53
GA6823 . . . . .	P82	GA9206 . . . . .	P82	GB0287 . . . . .	P53	GD0914-84 . . . . .	P39
GA6824 . . . . .	P82	GA9207 . . . . .	P82	GB0296 . . . . .	P91	GD10036 . . . . .	P5
GA6907 . . . . .	P21	GA9426 . . . . .	P44	GB0314 . . . . .	P5	GD10110 . . . . .	P103
GA6966 . . . . .	P91	GA9427 . . . . .	P44	GB0314 . . . . .	P33	GD10110 . . . . .	P105
GA7154 . . . . .	P39	GA9428 . . . . .	P43	GB0322 . . . . .	P91	GD10161 . . . . .	P97
GA7154 . . . . .	P55	GA9429 . . . . .	P43	GB0323 . . . . .	P91	GD10223 . . . . .	P73
GA7235 . . . . .	P50	GA9430 . . . . .	P95	GB0366 . . . . .	P5	GD10224 . . . . .	P73
GA7239 . . . . .	P88	GA9431 . . . . .	P95	GB0383 . . . . .	P27	GD10242 . . . . .	P88
GA7240 . . . . .	P88	GA9433 . . . . .	P91	GB0383 . . . . .	P29	GD1026 . . . . .	P14
GA7313 . . . . .	P97	GA9434 . . . . .	P91	GB0387 . . . . .	P27	GD1026 . . . . .	P21
GA7336 . . . . .	P56	GA9437 . . . . .	P91	GB0387 . . . . .	P29	GD1026 . . . . .	P36
GA7336 . . . . .	P97	GA9438 . . . . .	P44	GB0400 . . . . .	P91	GD1026 . . . . .	P51
GA7336 . . . . .	P107	GA9439 . . . . .	P44	GB0405 . . . . .	P91	GD1026 . . . . .	P56

GD1026 . . . . . P91	GD11264 . . . . . P33	GD1256 . . . . . P53	GD19343 . . . . . P107
GD1026 . . . . . P97	GD11279 . . . . . P15	GD12561 . . . . . P15	GD19790 . . . . . P17
GD1026 . . . . . P107	GD11286 . . . . . P17	GD12571 . . . . . P55	GD20060 . . . . . P105
GD10273 . . . . . P88	GD11297 . . . . . P23	GD12676 . . . . . P91	GD20456 . . . . . P49
GD10283 . . . . . P63	GD11305 . . . . . P21	GD12677 . . . . . P91	GD20461 . . . . . P49
GD10303 . . . . . P88	GD11306 . . . . . P7	GD12679 . . . . . P91	GD21142 . . . . . P61
GD10304 . . . . . P88	GD1132 . . . . . P27	GD12685 . . . . . P91	GD21143 . . . . . P61
GD1041 . . . . . P17	GD1132 . . . . . P29	GD13287 . . . . . P91	GD2117 . . . . . P118
GD1042 . . . . . P17	GD1138 . . . . . P95	GD13309 . . . . . P94	GD21337 . . . . . P5
GD10487 . . . . . P88	GD11413 . . . . . P13	GD13348 . . . . . P84	GD21398 . . . . . P99
GD10519 . . . . . P27	GD11413 . . . . . P23	GD1337 . . . . . P103	GD21540 . . . . . P63
GD10519 . . . . . P29	GD11424 . . . . . P22	GD13401 . . . . . P49	GD2161 . . . . . P61
GD1059L . . . . . P22	GD11458 . . . . . P49	GD1379 . . . . . P99	GD2199 . . . . . P82
GD1059R . . . . . P22	GD11474 . . . . . P85	GD1380 . . . . . P99	GD2199 . . . . . P115
GD1060 . . . . . P22	GD11490 . . . . . P49	GD14217 . . . . . P5	GD22685 . . . . . P121
GD1061 . . . . . P23	GD11528 . . . . . P17	GD14413 . . . . . P56	GD22692 . . . . . P121
GD1063 . . . . . P23	GD11535 . . . . . P41	GD14413 . . . . . P107	GD2412 . . . . . P99
GD1065 . . . . . P14	GD11557 . . . . . P91	GD14427 . . . . . P56	GD2423 . . . . . P21
GD1083 . . . . . P17	GD11558 . . . . . P91	GD14427 . . . . . P108	GD24545 . . . . . P3
GD1085 . . . . . P11	GD11559 . . . . . P41	GD14431 . . . . . P55	GD24545 . . . . . P33
GD10963 . . . . . P21	GD11649 . . . . . P33	GD14431 . . . . . P108	GD2548-15.5 . . . . . P101
GD10984 . . . . . P21	GD11657 . . . . . P41	GD14432 . . . . . P56	GD25568 . . . . . P33
GD10991 . . . . . P9	GD11662 . . . . . P41	GD14432 . . . . . P108	GD25569 . . . . . P33
GD10993 . . . . . P3	GD11677 . . . . . P24	GD14559 . . . . . P88	GD2558 . . . . . P51
GD10993 . . . . . P35	GD11700 . . . . . P107	GD1512 . . . . . P118	GD2558 . . . . . P56
GD11001 . . . . . P3	GD11721 . . . . . P39	GD1514 . . . . . P103	GD2558 . . . . . P97
GD1104 . . . . . P88	GD11721 . . . . . P103	GD1514 . . . . . P105	GD2597 . . . . . P63
GD11045 . . . . . P39	GD11721 . . . . . P105	GD1515 . . . . . P103	GD26146 . . . . . P11
GD11045 . . . . . P52	GD11747 . . . . . P15	GD1515 . . . . . P105	GD26594 . . . . . P17
GD11045 . . . . . P53	GD11751 . . . . . P70	GD1516 . . . . . P103	GD26598 . . . . . P94
GD11089 . . . . . P82	GD11784 . . . . . P29	GD1516 . . . . . P105	GD26973 . . . . . P27
GD11089 . . . . . P85	GD11787 . . . . . P17	GD1517 . . . . . P103	GD26973 . . . . . P29
GD1109 . . . . . P11	GD11953 . . . . . P94	GD1517 . . . . . P105	GD2721 . . . . . P59
GD11123 . . . . . P105	GD11962 . . . . . P14	GD1520 . . . . . P103	GD2721 . . . . . P61
GD11124 . . . . . P105	GD11962 . . . . . P21	GD15386 . . . . . P61	GD27233 . . . . . P68
GD1113 . . . . . P5	GD11985 . . . . . P67	GD15538 . . . . . P56	GD27233 . . . . . P69
GD1113 . . . . . P33	GD11995 . . . . . P70	GD15685 . . . . . P107	GD27234 . . . . . P67
GD1113 . . . . . P44	GD1200 . . . . . P99	GD15698 . . . . . P17	GD27235 . . . . . P65
GD1113 . . . . . P91	GD1207 . . . . . P99	GD15699 . . . . . P19	GD27235 . . . . . P66
GD1113 . . . . . P91	GD1209 . . . . . P99	GD16245 . . . . . P3	GD27235 . . . . . P70
GD1113 . . . . . P91	GD1210 . . . . . P99	GD16245 . . . . . P35	GD2734-08 . . . . . P107
GD1114 . . . . . P33	GD12101 . . . . . P68	GD1685-13 . . . . . P95	GD28390 . . . . . P3
GD1114 . . . . . P44	GD12101 . . . . . P69	GD1685-14 . . . . . P95	GD29221 . . . . . P44
GD1114 . . . . . P88	GD12102 . . . . . P65	GD1685-16 . . . . . P95	GD29459 . . . . . P33
GD1114 . . . . . P95	GD12102 . . . . . P66	GD1748 . . . . . P103	GD2947 . . . . . P21
GD1114 . . . . . P99	GD12102 . . . . . P67	GD1748 . . . . . P105	GD29507 . . . . . P13
GD11180 . . . . . P107	GD1213 . . . . . P99	GD18118 . . . . . P85	GD29689 . . . . . P68
GD11218 . . . . . P36	GD1213 . . . . . P99	GD18168 . . . . . P85	GD29689 . . . . . P69
GD11219 . . . . . P21	GD12505 . . . . . P66	GD1862 . . . . . P103	GD2971-10 . . . . . P21
GD11239 . . . . . P13	GD12507 . . . . . P65	GD1862 . . . . . P105	GD2971-31 . . . . . P7
GD11239 . . . . . P23	GD12510 . . . . . P68	GD18704 . . . . . P17	GD2984 . . . . . P118
GD11240 . . . . . P23	GD12510 . . . . . P69	GD19292 . . . . . P24	GD2984 . . . . . P118
GD11259 . . . . . P3	GD12513 . . . . . P70	GD19333 . . . . . P17	GD30401 . . . . . P67
GD11259 . . . . . P35	GD1255 . . . . . P53	GD19343 . . . . . P56	GD30622 . . . . . P56

GD30624 . . . . .	P56	GD5961 . . . . .	P53	GD9229 . . . . .	P39	GR1037 . . . . .	P75
GD30725 . . . . .	P7	GD5990 . . . . .	P107	GD9254 . . . . .	P24	GR1037 . . . . .	P75
GD30725 . . . . .	P27	GD6027 . . . . .	P41	GD9695 . . . . .	P33	GR1037 . . . . .	P77
GD30725 . . . . .	P29	GD6027 . . . . .	P44	GD9724 . . . . .	P27	GR1037 . . . . .	P77
GD31450 . . . . .	P55	GD6027 . . . . .	P44	GD9724 . . . . .	P29	GR1037 . . . . .	P77
GD31466 . . . . .	P94	GD6551 . . . . .	P55	GM0298-01 . . . . .	P120	GR1037 . . . . .	P79
GD3180-17 . . . . .	P97	GD6553 . . . . .	P87	GM0298-02 . . . . .	P120	GR1037 . . . . .	P79
GD34021-02 . . . . .	P19	GD6825-10.5 . . . . .	P51	GPR1094 . . . . .	P120	GR1037 . . . . .	P79
GD34178 . . . . .	P49	GD7127 . . . . .	P55	GR0146MPP . . . . .	P119	GR1038 . . . . .	P73
GD34923 . . . . .	P87	GD7127 . . . . .	P97	GR0150 . . . . .	P63	GR1039 . . . . .	P73
GD35127 . . . . .	P47	GD7140 . . . . .	P43	GR0151 . . . . .	P63	GR1040 . . . . .	P73
GD35339 . . . . .	P47	GD7145 . . . . .	P39	GR0188 . . . . .	P87	GR1041 . . . . .	P73
GD35340 . . . . .	P47	GD7145 . . . . .	P82	GR0193 . . . . .	P59	GR1042 . . . . .	P73
GD35444 . . . . .	P7	GD7145 . . . . .	P103	GR0196 . . . . .	P21	GR1043 . . . . .	P73
GD35471 . . . . .	P33	GD7145 . . . . .	P105	GR0196 . . . . .	P33	GR1044 . . . . .	P73
GD35472 . . . . .	P33	GD7148 . . . . .	P23	GR0196 . . . . .	P5	GR1045 . . . . .	P73
GD35784-01 . . . . .	P19	GD7152 . . . . .	P82	GR0255 . . . . .	P43	GR1045 . . . . .	P73
GD3612 . . . . .	P3	GD7258 . . . . .	P23	GR0270 . . . . .	P49	GR1045 . . . . .	P79
GD3612 . . . . .	P35	GD7318 . . . . .	P14	GR0434 . . . . .	P49	GR1046 . . . . .	P73
GD36277 . . . . .	P21	GD7426 . . . . .	P51	GR0586 . . . . .	P84	GR1047 . . . . .	P73
GD36709 . . . . .	P9	GD7426 . . . . .	P56	GR0664 . . . . .	P17	GR1048 . . . . .	P73
GD36713 . . . . .	P9	GD7426 . . . . .	P97	GR0880 . . . . .	P108	GR1104 . . . . .	P111
GD36856 . . . . .	P7	GD7426 . . . . .	P107	GR0881 . . . . .	P108	GR1112 . . . . .	P111
GD36860 . . . . .	P7	GD7803 . . . . .	P24	GR0882 . . . . .	P108	GR1116 . . . . .	P111
GD36922 . . . . .	P17	GD7804 . . . . .	P24	GR0883 . . . . .	P108	GR1118 . . . . .	P111
GD36990 . . . . .	P7	GD7819 . . . . .	P52	GR0912 . . . . .	P39	GR1120 . . . . .	P111
GD3839 . . . . .	P107	GD7822 . . . . .	P55	GR0912 . . . . .	P51	GR1122 . . . . .	P107
GD4887-01 . . . . .	P55	GD7848 . . . . .	P99	GR0912 . . . . .	P55	GR1123 . . . . .	P111
GD5752 . . . . .	P51	GD7867 . . . . .	P97	GR0912 . . . . .	P56	GR1124 . . . . .	P111
GD5753 . . . . .	P51	GD7867 . . . . .	P101	GR0912 . . . . .	P97	GR1134 . . . . .	P111
GD5756 . . . . .	P51	GD7870 . . . . .	P97	GR0912 . . . . .	P107	GR1169 . . . . .	P70
GD5756 . . . . .	P56	GD7871 . . . . .	P97	GR0962 . . . . .	P59	GR1389 . . . . .	P111
GD5789 . . . . .	P50	GD7900 . . . . .	P87	GR1015 . . . . .	P103	GR1405 . . . . .	P39
GD5790 . . . . .	P50	GD7904-02 . . . . .	P88	GR1015 . . . . .	P105	GR1406 . . . . .	P39
GD5791 . . . . .	P50	GD7907 . . . . .	P88	GR1016 . . . . .	P103	GR1407 . . . . .	P39
GD5827 . . . . .	P50	GD7908 . . . . .	P87	GR1016 . . . . .	P105	GR1408 . . . . .	P39
GD5827 . . . . .	P55	GD7912 . . . . .	P88	GR1017 . . . . .	P103	GR1409 . . . . .	P39
GD5835 . . . . .	P56	GD7944 . . . . .	P41	GR1017 . . . . .	P105	GR1410 . . . . .	P39
GD5841 . . . . .	P49	GD7944 . . . . .	P51	GR1018 . . . . .	P103	GR1411 . . . . .	P39
GD5857 . . . . .	P50	GD7962 . . . . .	P87	GR1018 . . . . .	P105	GR1412 . . . . .	P39
GD5857 . . . . .	P55	GD8224 . . . . .	P88	GR1019 . . . . .	P103	GR1413 . . . . .	P39
GD5857 . . . . .	P97	GD8238 . . . . .	P87	GR1019 . . . . .	P105	GR1414 . . . . .	P85
GD5857 . . . . .	P107	GD8239 . . . . .	P88	GR1032 . . . . .	P73	GR1415 . . . . .	P85
GD5860 . . . . .	P51	GD8247 . . . . .	P87	GR1033 . . . . .	P73	GR1465 . . . . .	P79
GD5875 . . . . .	P44	GD8276 . . . . .	P88	GR1034 . . . . .	P73	GR1523 . . . . .	P70
GD5875 . . . . .	P61	GD8304 . . . . .	P82	GR1035 . . . . .	P73	GR1533 . . . . .	P113
GD5884-01 . . . . .	P53	GD8460 . . . . .	P11	GR1036 . . . . .	P73	GR1535 . . . . .	P113
GD5885-01 . . . . .	P53	GD8751 . . . . .	P84	GR1037 . . . . .	P65	GR1540 . . . . .	P113
GD5885-02 . . . . .	P52	GD8770 . . . . .	P84	GR1037 . . . . .	P66	GR1541 . . . . .	P113
GD5886 . . . . .	P97	GD8771 . . . . .	P84	GR1037 . . . . .	P67	GR1542 . . . . .	P113
GD5886 . . . . .	P101	GD8778 . . . . .	P19	GR1037 . . . . .	P68	GR1543 . . . . .	P111
GD5888 . . . . .	P44	GD8893-01 . . . . .	P36	GR1037 . . . . .	P69	GR1543 . . . . .	P113
GD5892 . . . . .	P59	GD8893-07 . . . . .	P47	GR1037 . . . . .	P73	GR1544 . . . . .	P113
GD5961 . . . . .	P52	GD9120 . . . . .	P11	GR1037 . . . . .	P75	GR1545 . . . . .	P113

---

GR1569 . . . . .	P17
GR1570MPP . . . . .	P120
GR1574 . . . . .	P113
GR1708 . . . . .	P103
GR1708 . . . . .	P105
GR1709 . . . . .	P103
GR1709 . . . . .	P105
GR1762 . . . . .	P84
GR1763 . . . . .	P85
GR1795 . . . . .	P111
GR1797 . . . . .	P111
GR1799 . . . . .	P111
GR1801 . . . . .	P111
GR1802 . . . . .	P111
GR1804 . . . . .	P111
GR1805 . . . . .	P111
GR1806 . . . . .	P111
GR1808 . . . . .	P111
GR1842MPP . . . . .	P120
GR1848 . . . . .	P17
GR1941 . . . . .	P103
GR1941 . . . . .	P105
GR2003 . . . . .	P111
GR2127MPP . . . . .	P119
GR2154 . . . . .	P17
GR2225 . . . . .	P66
GR2227 . . . . .	P67
GR2228 . . . . .	P65
GR2229 . . . . .	P68
GR2229 . . . . .	P69
GR2241MPP . . . . .	P120
GR2334 . . . . .	P120
GR2336 . . . . .	P120

**This page left blank intentionally.**